

# ERSATZTEILKATALOG

**Diesel Traktoren**

**M968**

**M975**

**---->04939**

**SERVICE PARTS CATALOGUE**

**CATALOGUE DES PIECES  
DETACHEES**

**CATALOGO PARTI  
DI RICAMBO**

**CATÁLOGO DES PIEZAS  
DE REPUESTO**

**CATÁLOGO DE PECAS  
SOBRESSALENTES**

**RESERVEDELSKATALOG**

**ONDERDELENLIJST**

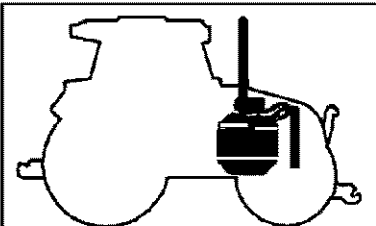

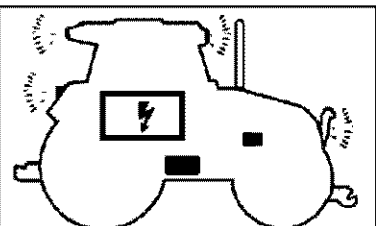
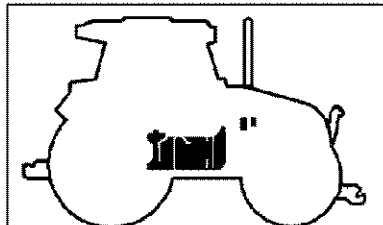
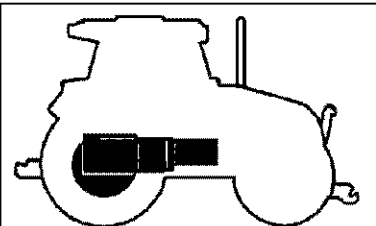

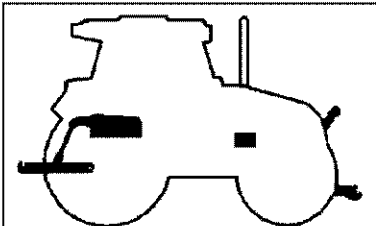
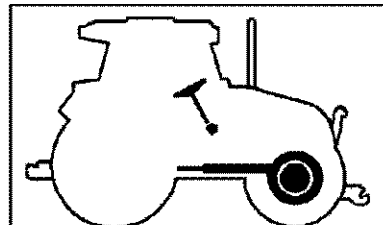


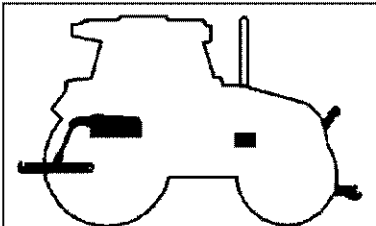
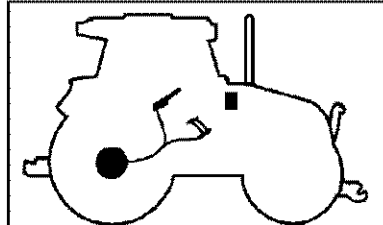
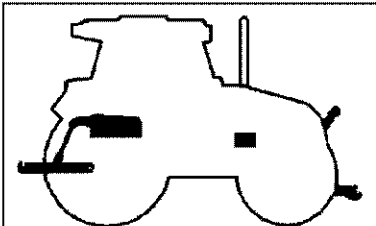

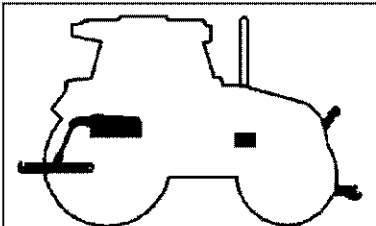
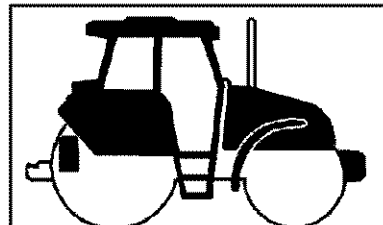
**Katalog Nr. 7-6063**

2. Ausgabe 07/2004



01-01(00) RESERVEDELSKATALOG

Ref	Onderdeelnummer	Kwt	Beschrijving

		ALLGEMEINES GENERAL GENERALITES	<b>01</b>
		MOTOR ENGINE MOTEUR THERMIQUE	<b>02</b>
		KRAFTSTOFFANLAGE FUEL SYSTEM SYSTEME CARBURANT	<b>03</b>
		ELEKTRISCHE ANLAGE ELECTRICAL SYSTEME SYSTEME ELICTRIQUE	<b>04</b>
		LENKUNG / VORDERACHSE STEERING SYSTEM / FRONT AXLE SYSTEME DE DIRECTION / ESSIEU AVANT	<b>05</b>
		GETRIEBE / HINTERACHSE POWER TRAIN / REAR AXLE TRANSMISSION / PONT ARRIERE	<b>06</b>
		BREMSEN BRAKES FREINS	<b>07</b>
		HYDRAULIKANLAGE HYDRAULIC SYSTEM SYSTEME HYDRAULIQUE	<b>08</b>
		AUFBAU / KABINE / ANHÄNGEVORRICHTUNGEN CHASSIS / CAB / HITCHES CHASSIS / CABINE / ATTELAGES	<b>09</b>
		NUMMERNVERZEICHNIS NUMERICAL INDEX INDEX NUMERIQUE	<b>10</b>

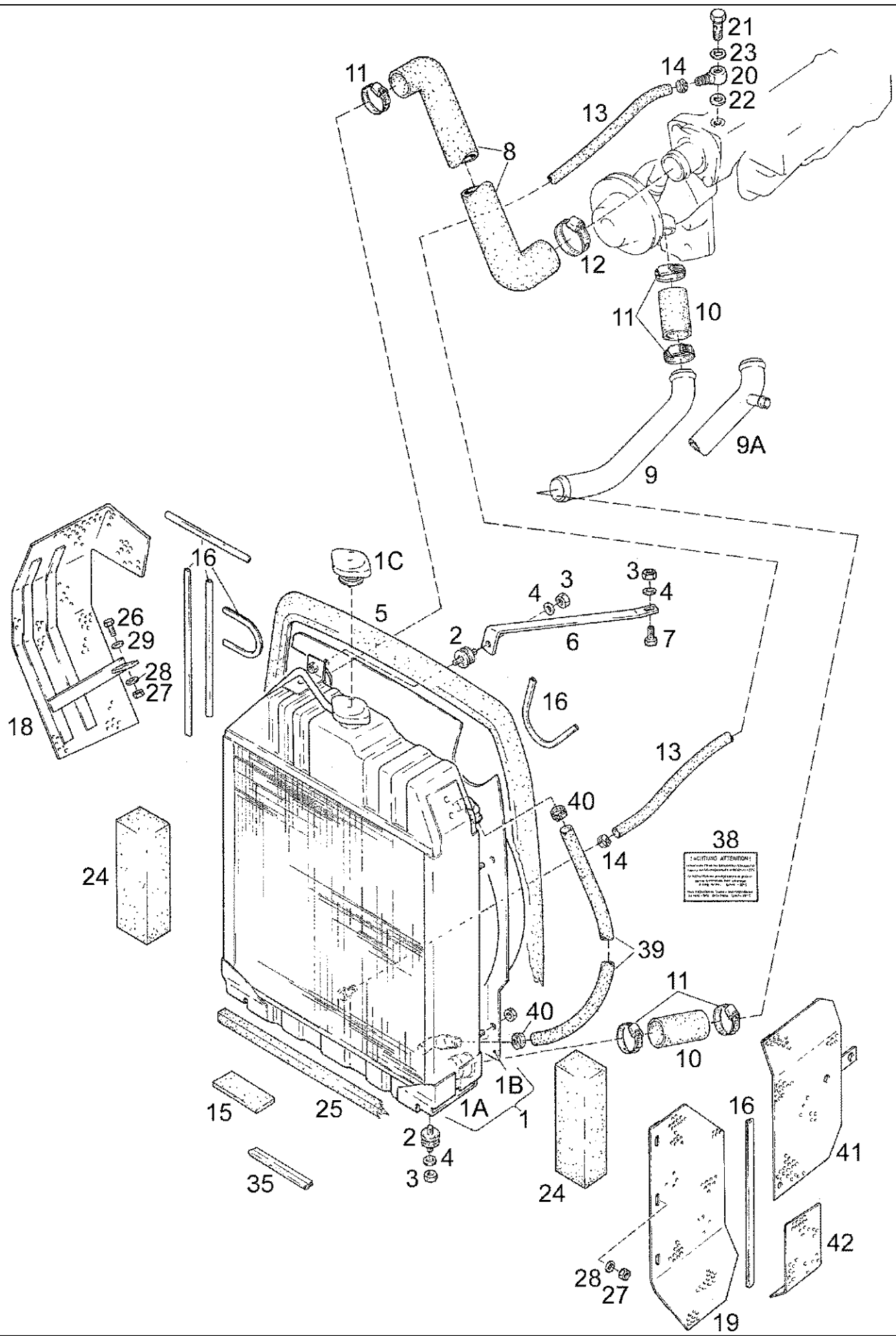
01-02(00) HOOFDSECTIES

Ref	Onderdeelnummer	Kwt	Beschrijving





02-01(01) RADIATOR AND CONNECTIONS

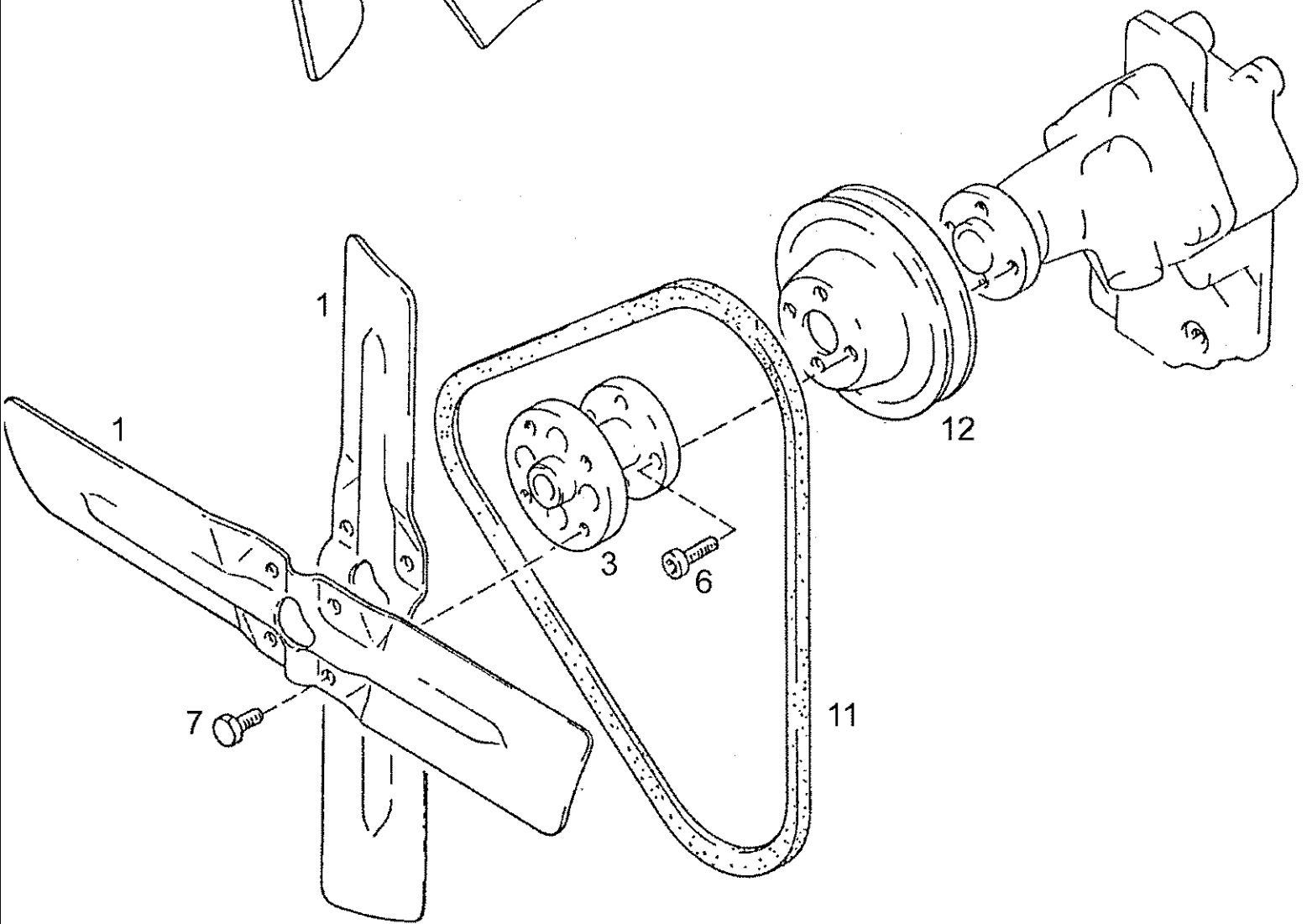
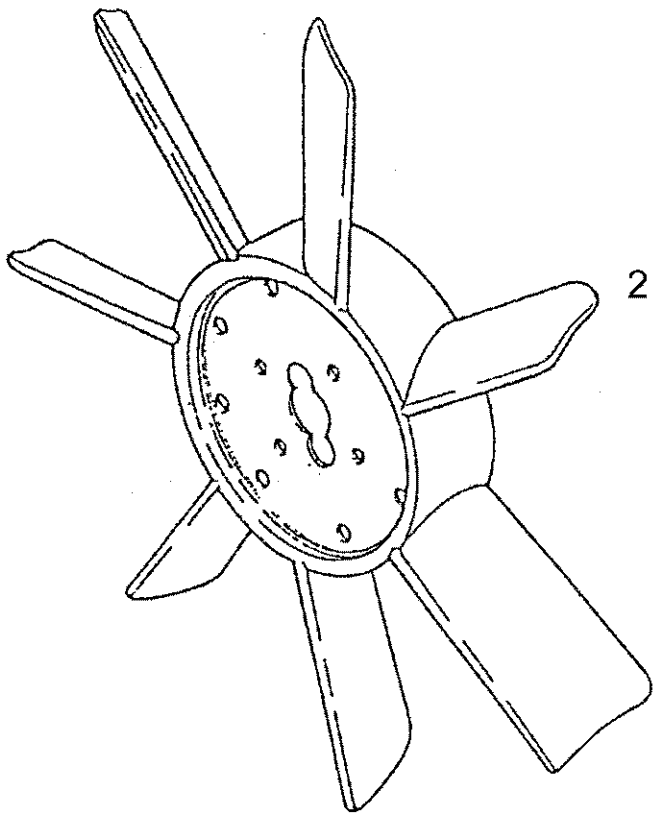


## 02-01(01) RADIATOR AND CONNECTIONS

Ref	Onderdeelnummer	Kwt	Beschrijving
1	1-33-153-016	1	COOLER ASSY., , ---->. . . . , Besteht aus/Consists of/Compose de/Bestående af/È composto da 1A - 1C; Nur für/Only for/Seulement pour/Kun til/Solo per 1-33-153-125 , -126
1	1-33-153-216	1	COOLER ASSY., , Besteht aus/Consists of/Compose de/Bestående af/È composto da 1A - 1C; Nur für/Only for/Seulement pour/Kun til/Solo per 1-33-153-225 , -226 - Ersetzt/Replaces/Remplace/Udskiftet/Sostituisce 1-33-153-016
1A	1-33-153-125	1	KÜHLER, Einschließlich/Includes/Avec/Inklusive/Compreso 1C - Nur für/Only for/Seulement pour/Kun til/Solo per 1-33-153-016
1A	1-33-153-225	1	CORE (RADIATOR), , Einschließlich/Includes/Avec/Inklusive/Compreso 1C - Nur für/Only for/Seulement pour/Kun til/Solo per 1-33-153-216
1B	1-33-153-126	1	LEIDING, , Nur für/Only for/Seulement pour/Kun til/Solo per 1-33-153-016
1B	1-33-153-226	1	LEIDING, , Nur für/Only for/Seulement pour/Kun til/Solo per 1-33-153-216
1C	1-33-753-001	1	CAP, FILLER,
2	1188540117	5	DEMPBLOK,
3	43362	5	MOER, M8, CI 10,
4	190003930261	6	SLUITRING, , A8,4
5	1-33-153-123	1	DICHTINGSSTUK,
6	1-33-153-015	1	SUPPORT,
7	190003802415	1	SCHROEF, , M8x18-8.8
8	1-33-153-014	1	FLEXIBELE BUIS,
9	1-33-153-017	1	ELLEBOOG,
9A	1-33-153-127	1	ELLEBOOG, , Mit Heizung/With heating/Avec chauffage/Med varme/Con riscaldamento
10	161000060224	2	FLEXIBELE BUIS, , 38x48; L = 80mm
11	190003989305	4	SPANHULS, , 32/48
12	190003989308	2	KLEM, , 44/60
13	1-33-153-163	1	FLEXIBELE BUIS, , Ø9x16mm; L = 280mm
14	190003989300	2	CLAMP, , 13/16
15	133700530099	1	STRIP, SEALING, , 40x100x4
16	190003171689	1	PROFIEL, , K-8343; L = 1210mm
18	1-33-153-136	1	COVER, PROTECTIVE,
19	1-33-153-130	1	COVER, PROTECTIVE,
20	199014230017	1	FITTING,
21	1395350028	1	VIJZELSCHROEF,
22	1395350070	1	RING, PACKING,
23	190003098014	1	DICHTINGSRING, , A14x18-CU-DIN7603
24	1-33-153-033	2	DICHTINGSSTUK,
25	190003129481	1	DICHTING, RUBBER, , 15x15; K-8389; L = 480mm
26	86508568	3	BOUT, Hex, M6 x 16, 8.8,
27	15896221	5	MOER, M6, CI 10, , M6-8-A2C, DIN934
28	190003936101	3	SLUITRING, , 6,4-140HV-A3C
29	190003930251	2	SCHIJF, , A6,4-140HV-A3C
35	190003130103	1	DICHTINGSBESCHERMING, , K-10001; L = 120mm

## 02-01(01) RADIATOR AND CONNECTIONS

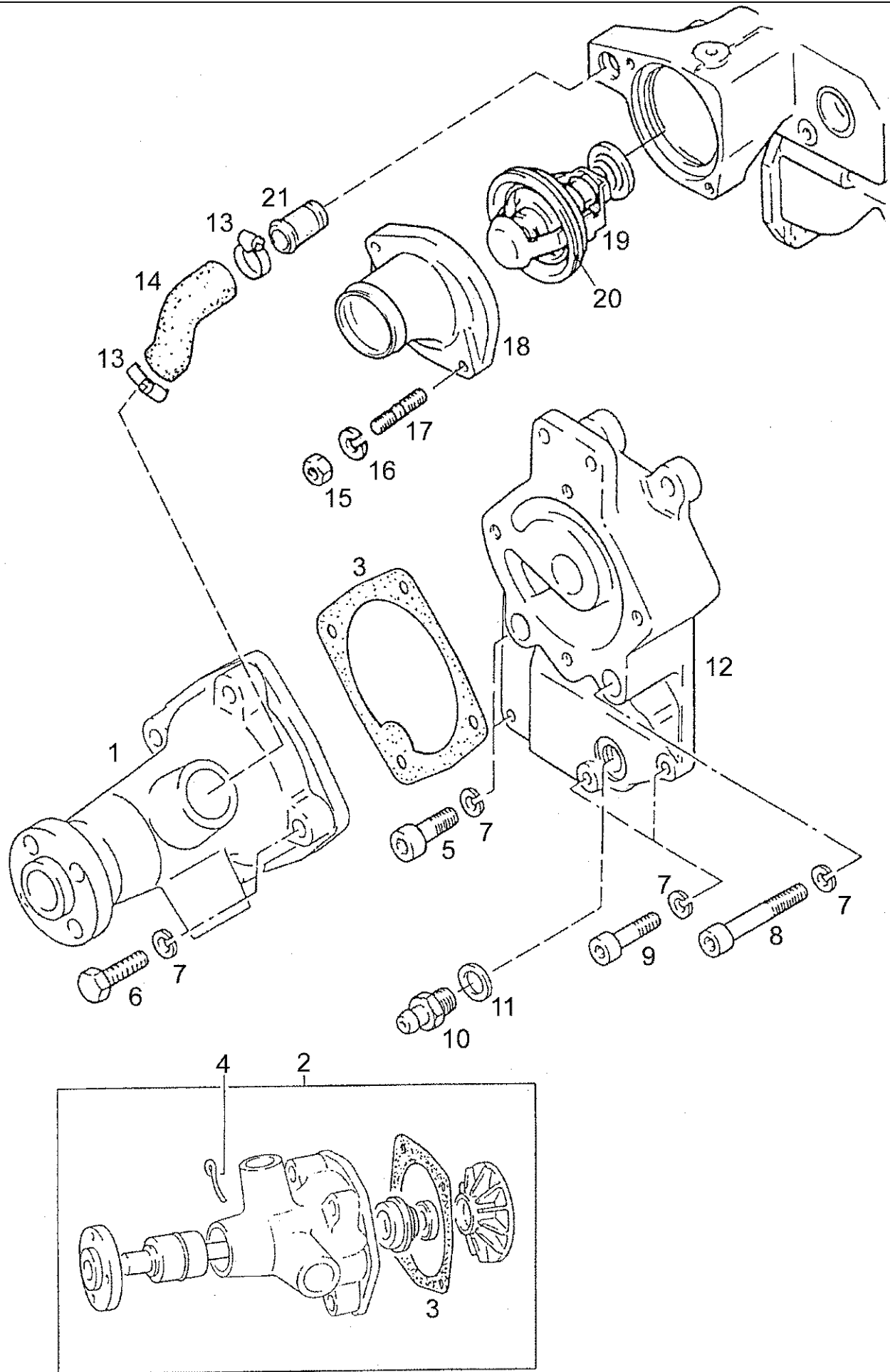
Ref	Onderdeelnummer	Kwt	Beschrijving
38	133700530209	1	DECAL,
39	1-33-153-124	1	AIR FLEXIBLE, , 18x27; L = 485mm
40	190003989336	2	BUISKLEM, , 16/22
41	1-33-136-120	1	BESCHERMPLAAT,
42	1-33-136-125	1	SHEET ASSY.,



M968 STEYR TRACTOR / --->04939 (6/97-3/99) - Motor

02-02(01) RADIATOR FAN AND MOUNTING PARTS / BELT,V

Ref	Onderdeelnummer	Kwt	Beschrijving
1	1409060023	2	LEIDING,
2	161100060044	1	VENTILATOR,
3	130100060002	1	AFSTANDSRING,
6	190003862428	4	SCHROEF, , M8x25-8.8
7	16043224	4	BOUT, Hex, M8 x 16, 8.8, Full Thd,
11	141100060014	1	RIEMEN, , 9,5 x 1300
12	130100060011	1	RIEMSCHIJF,

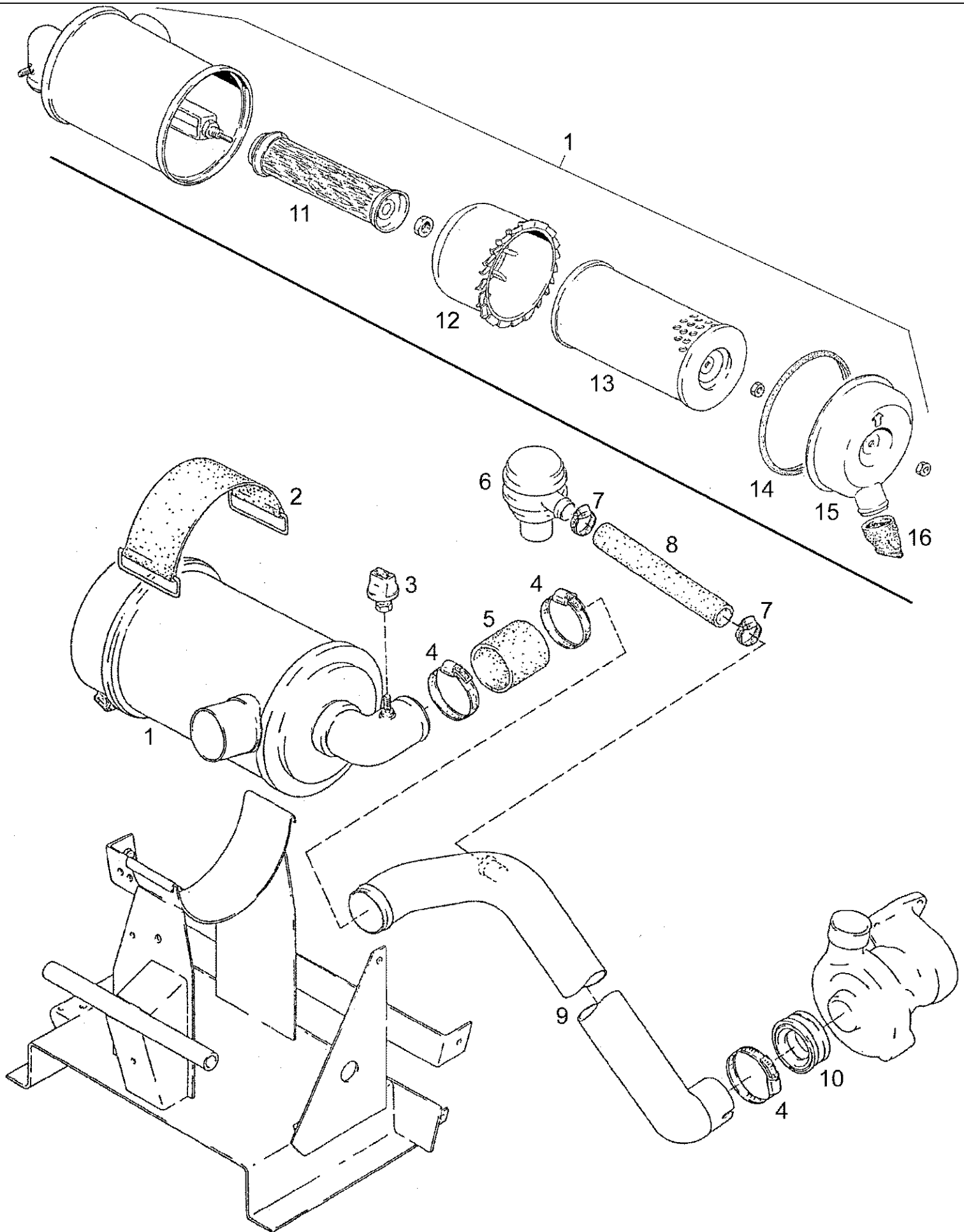


## 02-03(01) WATER PUMP / THERMOSTAT

Ref	Onderdeelnummer	Kwt	Beschrijving
1	130100060703	1	WATERPOMP, Besteht aus/Consists of/Compose de/Bestående af/È composto da 2 - 4
2	130100060702	1	WATERPOMP HERSTELLINGSKI, , Ohne Gehäuse/Without Housing/Sans Carter/Uden Hus/Senza Scatola
3	130100060701	1	DICHTINGSSTUK,
4	130100060704	1	BOORGVEER,
5	190003862430	2	SCHROEF, , M8x25-10.9
6	15213321	4	BOUT, Hex, M8 x 35, 8.8,
7	130100010705	10	RING,
8	190003860183	2	SCHROEF, , M8x65-10.9
9	190003862439	2	SCHROEF, , M8x35-10.9
10	130182190702	1	KRUK,
11	190003098026	1	DICHTINGSRING, , A22x27-CU
12	130100060707	1	HUIS,
13	190003989301	2	CLAMP, , 25/35
14	130100190705	1	FLEXIBELE BUIS,
15	190003871258	2	MOER, , M8x1-10
16	130100010705	2	RING,
17	190003811429	2	TAPEIND, , M8x30-8.8
18	130100190710	1	COVER,
19	130100061001	1	THERMOSTAT, , 85°C
19	130100060706	1	THERMOSTART, , 75°C
20	130100061002	1	DICHTINGSSTUK,
21	130100190702	1	BUISJE,

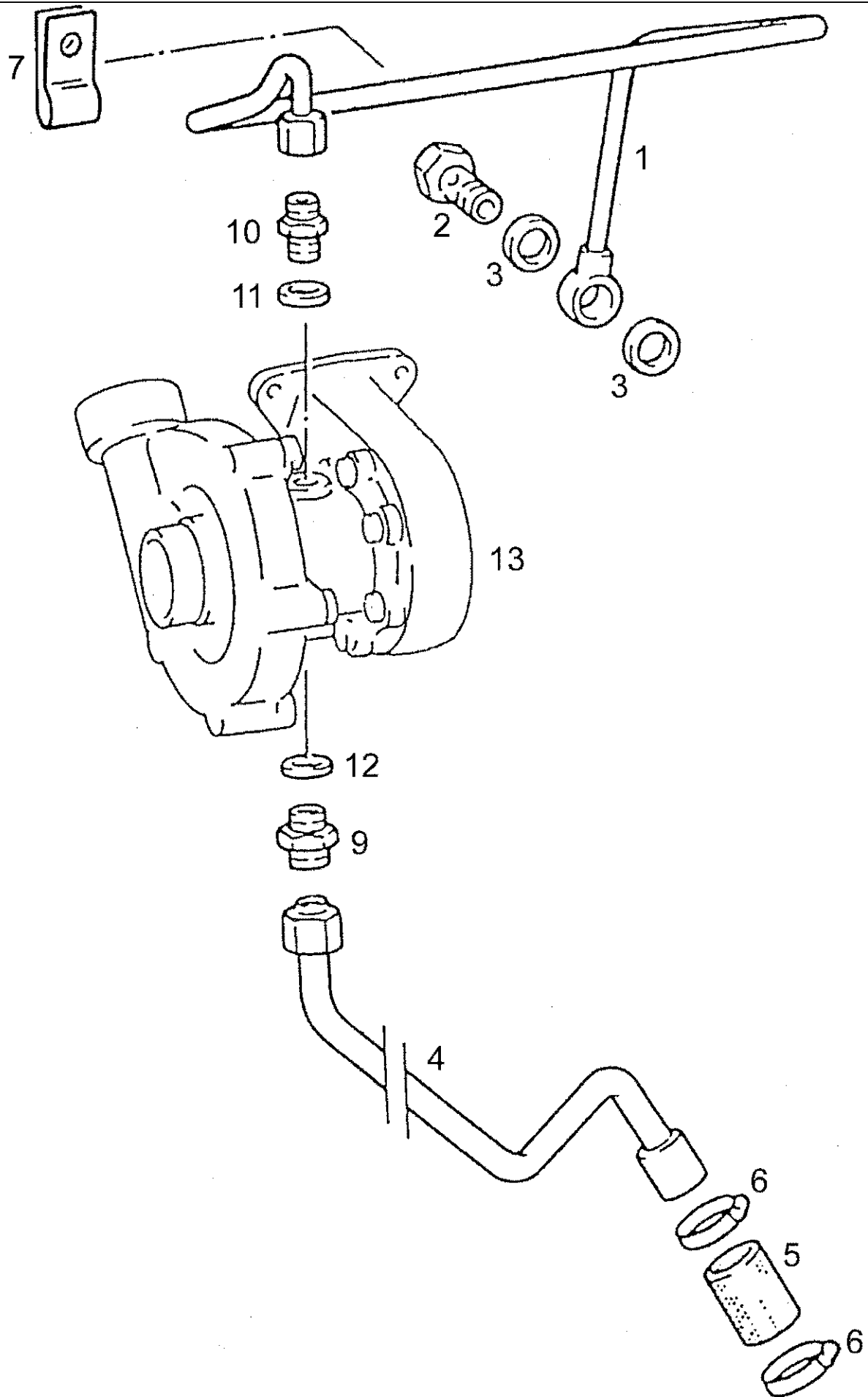


02-04(01) AIR INDUCTION SYSTEM



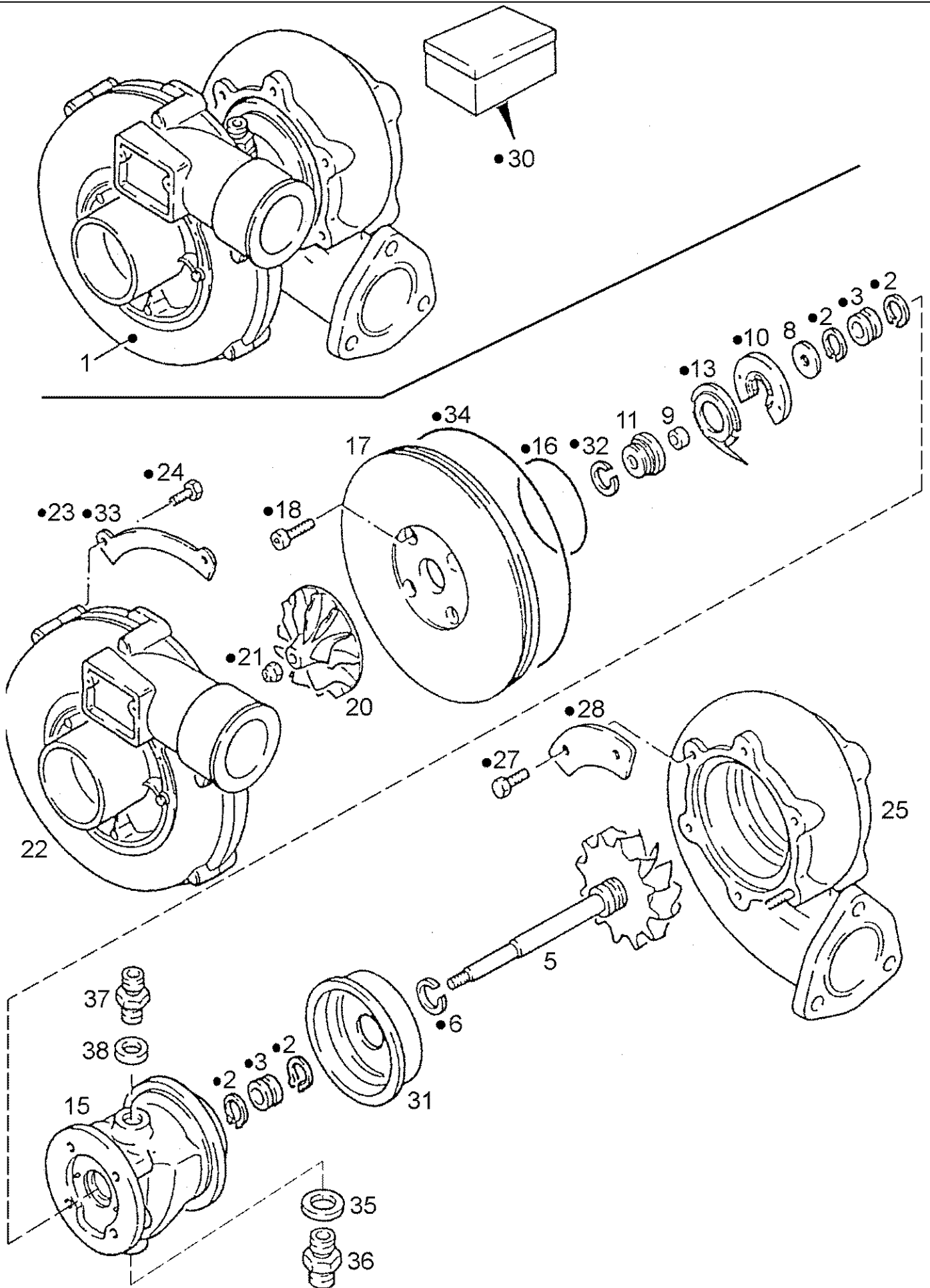
## 02-04(01) AIR INDUCTION SYSTEM

Ref	Onderdeelnummer	Kwt	Beschrijving
1	130100190007	1	LUCHTREINIGER,
2	130100190008	1	BAND,
3	161200190040	1	SENSOR,
4	190003989310	3	CLAMP, , 51/70
5	130185190008	1	SLANG, GROOT, , 60x70; L = 90mm
6	REF	-	INSTRUCTION, , Siehe nächste Seite(n)/See next page(s)/Voir page(s) suivante(s)/Se næste side (r )/Vedere pagin(a/e) seguent(e/i)
7	190003989340	2	KLEM, , 22/29
8	130180190007	1	AIR FLEXIBLE, , 22x29; L = 275mm
9	130180190004	1	BUISJE,
9	130180190005	1	BUISJE, , Mit Druckluftbremse/With Air brake/Avec Servo-frein pneumatique/Med Tryklufftbremse/Con Freni ad aria compressa
10	130185190007	1	JOINT, RUBBER,
11	141185190007	1	LUCHTREINIGER,
12	130100190709	1	VERDEELPLAAT,
13	141185190010	1	FILTERELEMENT,
14	130100190707	1	DICHTINGSSTUK,
15	130100190706	1	COVER,
16	130100190708	1	POPPET, VALVE,



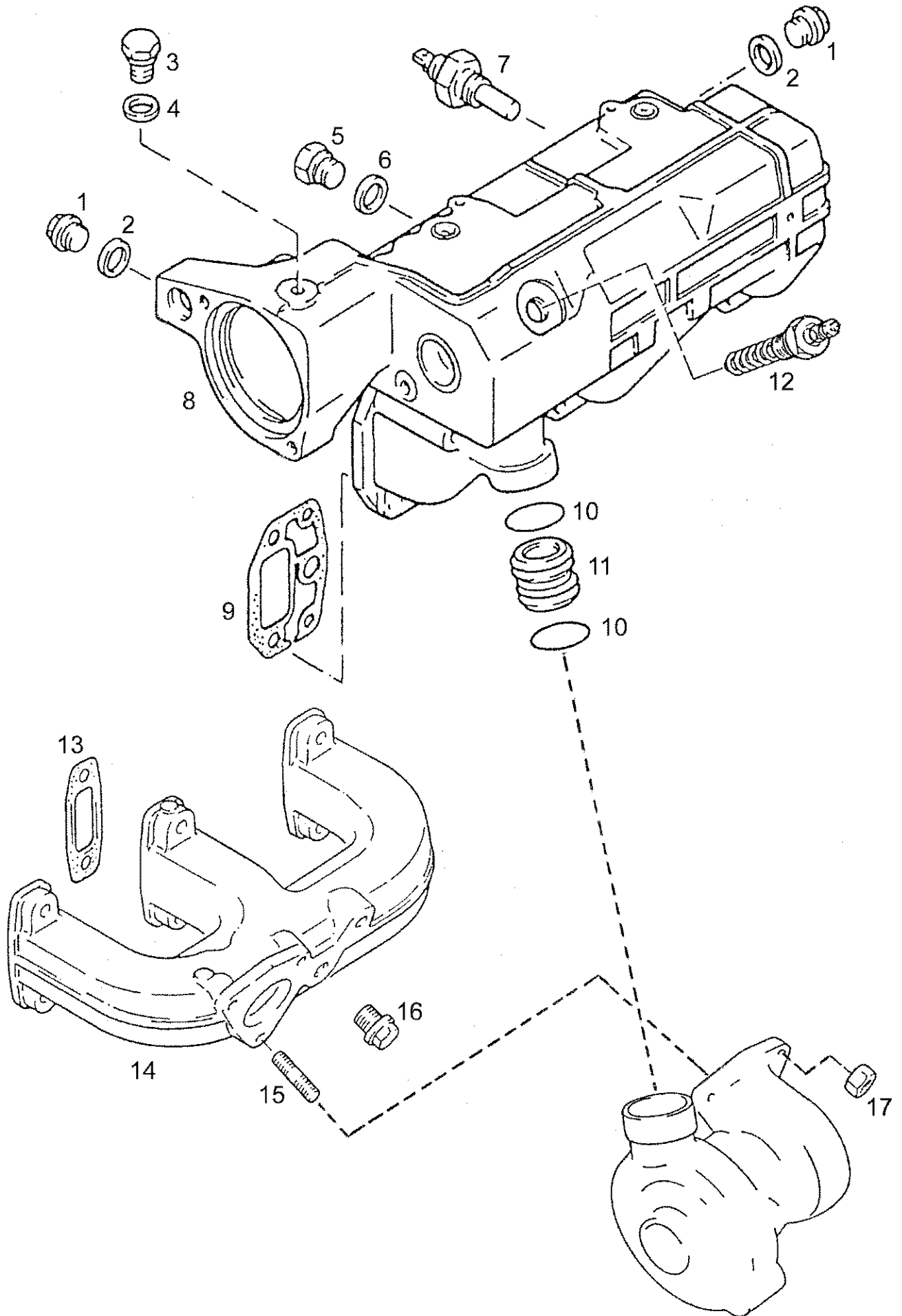
## 02-05(01) TURBOCHARGER AND CONNECTIONS

Ref	Onderdeelnummer	Kwt	Beschrijving
1	130182070711	1	LEIDING,
2	130182070701	1	VIJZELSCHROEF,
3	190003098017	2	RING, PACKING, , A16x22-CU
4	130182070708	1	LEIDING,
5	130182070705	1	FLEXIBELE BUIS,
6	130182070702	2	CLAMP,
7	130182070707	1	LEIDINGKLEM,
9	130182070709	1	VERLOOPSTUK,
10	130182070710	1	VERLOOPSTUK,
11	190003098012	1	DICHTINGSRING, , A12x15,5
12	190003098016	1	DICHTINGSRING, , A16x20-CU
13	130182110728	1	TURBOLADER, , Siehe nächste Seite(n)/See next page(s)/Voir page(s) suivante(s)/Se næste side (r )/Vedere pagin(a/e) seguent(e/i)



## 02-06(01) TURBOCHARGER, DISASSEMBLED

Ref	Onderdeelnummer	Kwt	Beschrijving
1	130182110728	1	TURBOLADER, Besteht aus/Consists of/Compose de/Bestående af/È composto da 2 - 34
2	130182110703	4	SLUITRING,
3	130182110702	2	LAGER,
5	130182110705	1	SCHOEPWIEL,
6	130182110706	1	ZUIGERRING,
8	130182110707	1	LAGER,
9	130182110711	1	LAGERBUS,
10	130182110708	1	LAGER,
11	130182110710	1	LAGERBUS,
13	130182110709	1	VERDEELPLAAT,
15	130182110701	1	LAGERHUIS,
16	130182110713	1	DICHTINGSRING,
17	130182110712	1	COVER, REAR,
18	130182110714	4	SCHROEF,
20	130182110715	1	SCHOEPWIEL,
21	130182110716	1	MOER,
22	130182110717	1	HUIS,
23	130182110723	1	SEGMENT,
24	130182110724	4	SCHROEF,
25	130182110718	1	HUIS,
27	130182110726	6	SCHROEF,
28	130182110725	3	SEGMENT,
30	130182110721	1	SET, Besteht aus/Consists of/Compose de/Bestående af/È composto da 2, 3, 6, 10, 13, 16, 18, 21, 23, 24, 27, 28, 32 - 34
31	130182110704	1	STOFKAP,
32	130182110720	1	RING SET, PISTON,
33	130182110719	1	SEGMENT,
34	130182110722	1	O-RING,
35	190003098016	1	DICHTINGSRING, , A16x20-CU
36	130182070709	1	VERLOOPSTUK,
37	130182070710	1	VERLOOPSTUK,
38	190003098012	1	DICHTINGSRING, , A12x15,5

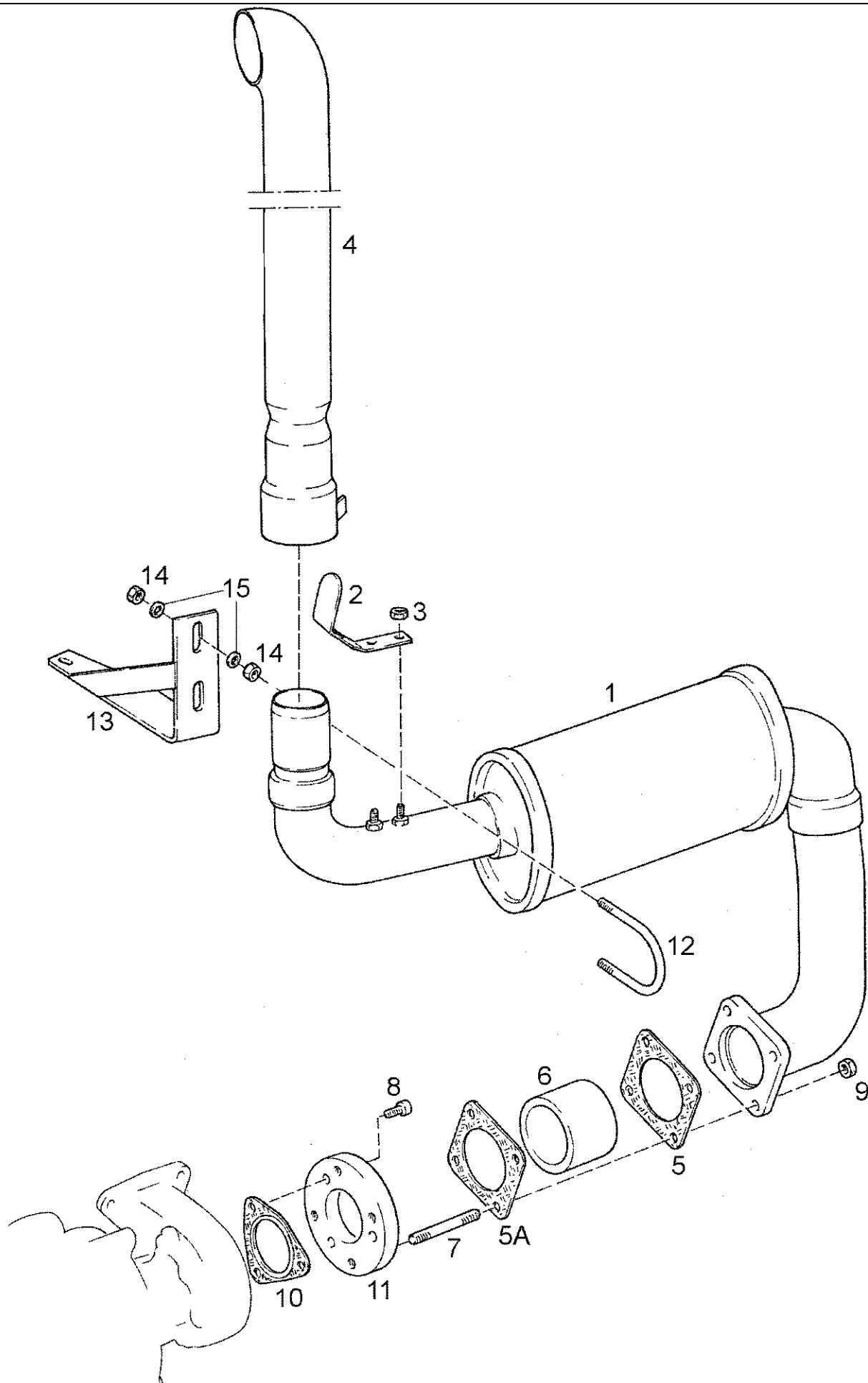


## 02-07(01) TURBOCHARGER AND CONNECTIONS

Ref	Onderdeelnummer	Kwt	Beschrijving
1	190003882227	3	SCHROEF, , M22x1,5
2	190003098026	3	DICHTINGSRING, , A22x27-CU
3	190003962014	1	PLUG, Hex Wash Hd, M10 x 1, , A-M10x1
4	190003098010	1	DICHTINGSRING, , A10x13,5-CU
5	190003962025	1	PLUG, Hex, M14 x 1.5, , A-M14x1,5
6	190003098014	1	DICHTINGSRING, , A14x18-CU-DIN7603
7	REF	-	INSTRUCTION, , Siehe Kapitel 04/See Chapter 04/Voir Chapitre 04/Se kapitel 04/Vedere capitolo 04
8	130182190704	1	BUISJE,
9	130100190703	3	DICHTINGSSTUK,
10	130182190701	2	DICHTINGSRING,
11	130182190703	1	CONNECTION,
12	REF	-	INSTRUCTION, , Siehe Kapitel 04/See Chapter 04/Voir Chapitre 04/Se kapitel 04/Vedere capitolo 04
13	130100110701	3	DICHTINGSSTUK,
14	130182110727	1	BUISJE,
15	130182110730	3	TAPEIND,
16	130182110729	1	SCHROEF,
17	130182110731	3	MOER,

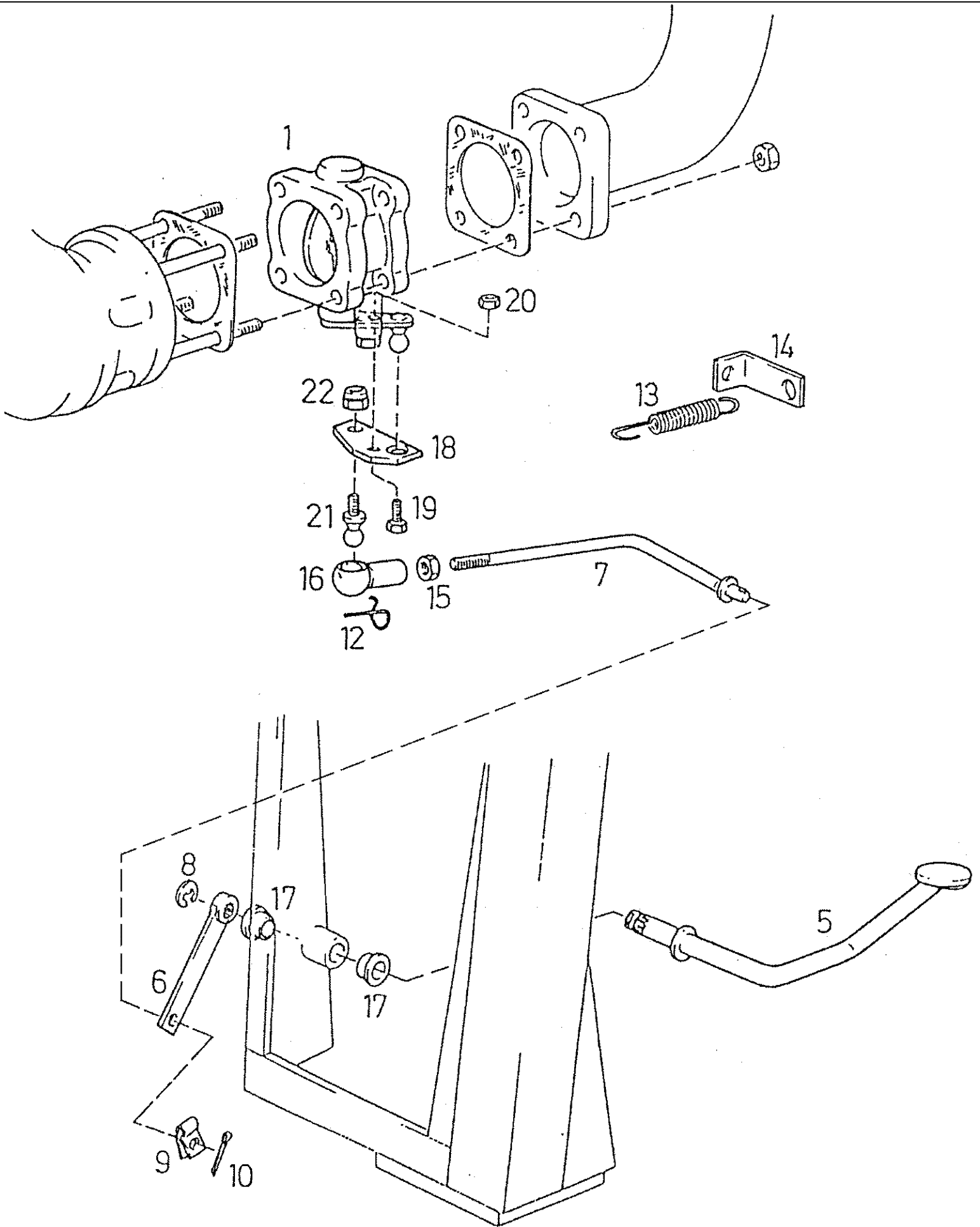


02-08(01) EXHAUST SYSTEM



## 02-08(01) EXHAUST SYSTEM

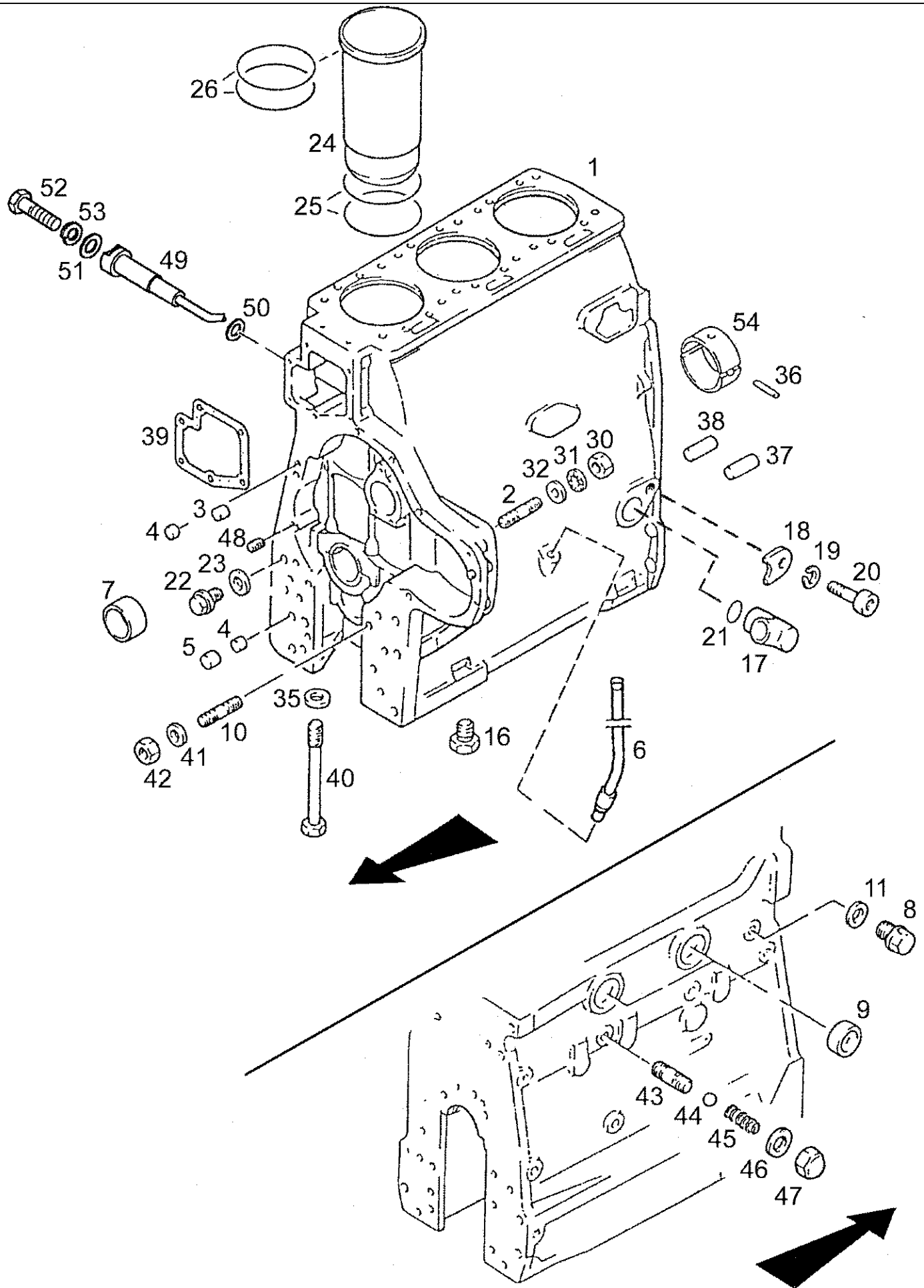
Ref	Onderdeelnummer	Kwt	Beschrijving
1	130100540004	1	KNALPOT,
2	130100540019	1	VEER,
3	190003871233	2	MOER, , M6-8-C2P
4	1-33-154-108	1	PIJP, UITLAATSYSTEEM, , L = 900mm
5	130100540008	1	DICHTINGSRING,
5A	130100540020	1	DICHTINGSRING,
6	130100540021	1	AFSTANDSSTUK VOOR BUIZEN,
7	190003810113	4	TAPEIND, , M10x80-8.8-C3P
8	190003860233	3	SCHROEF, , M8x20-8.8-C3P
9	190003870073	4	MOER, , M10-8-C3P
10	131185110018	1	DICHTINGSRING,
11	130100540013	1	FLENS,
12	130100540017	1	BOW,
13	130100540014	1	GUIDE, LEVERS,
14	190003870073	4	MOER, , M10-8-C3P
15	190003930271	4	SCHIJF, , A10,5-140HV-A3C



## 02-09(01) BUILT-IN BACK PRESSURE BRAKE

Ref	Onderdeelnummer	Kwt	Beschrijving
1	133700540107	1	BRAKE,
5	1-33-154-034	1	BRAKE LEVER,
6	1-33-154-026		HEFBOOM,
7	1-33-154-110	1	STANG,
8	190003936617	1	SLUITRING, , 9
9	1397750128	1	VEER,
10	190003920217	1	SPLITPEN, , 3,2x16
12	190003936514	1	SCHARNIER, , S13
13	1288570057	1	SPRING, TENSION,
14	1-33-154-111	1	HOEKSTUK,
15	43362	1	MOER, M8, CI 10,
16	190003963623	1	KOGELGEWRICHT, , B13
17	1-34-643-110	2	LAGERBUS, , Ø 12,15
18	1-33-154-070	1	TUIMELAARSTANG,
19	86508568	1	BOUT, Hex, M6 x 16, 8.8,
20	15896221	1	MOER, M6, CI 10, , M6-8-A2C, DIN934
21	190003963316	1	KOGELGEWRICHT, , C13
22	190003888451	1	MOER, , VM8-8

02-10(01) CRANKCASE



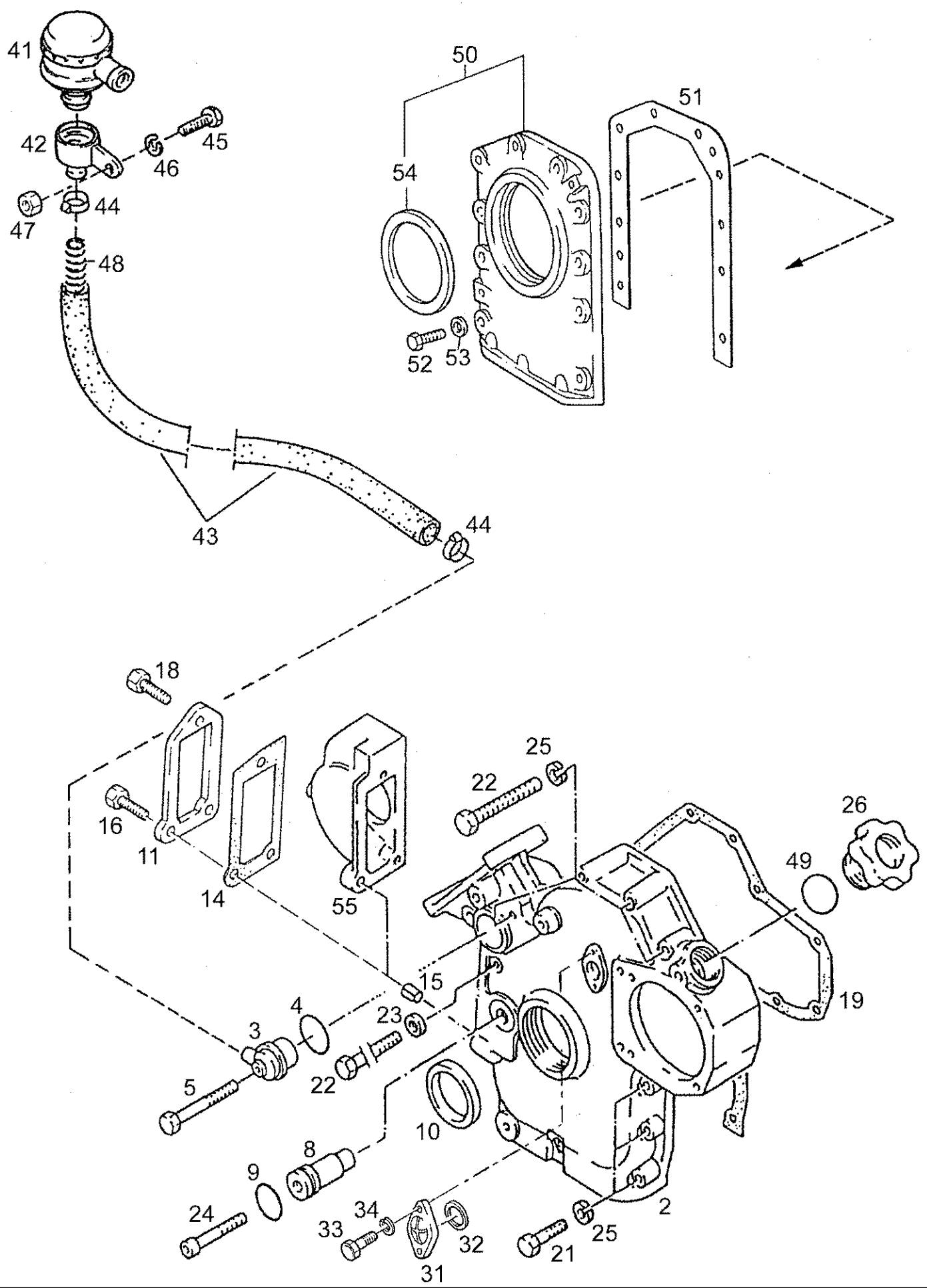
## 02-10(01) CRANKCASE

Ref	Onderdeelnummer	Kwt	Beschrijving
1	130182010711	1	CRANKCASE, , Einschließlich/Includes/Avec/Inklusive/Compreso 2 - 11, 16, 22 - 26, 30 - 32, 35, 36, 40 - 47
2	190003813537	4	TAPEIND, , M10x35-8.8
3	130100010723	7	SPOEL,
4	130100010724	3	SPOEL,
5	130100010718	2	SPOEL,
6	130100010729	6	OPVULPIJP,
7	130100010714	1	AANDRIJFLAGERBUS,
8	190003962038	1	PLUG, Hex Wash Hd, M22 x 1.5, , A-M22x1,5
9	130100010741	2	COVER,
10	190003813434	1	TAPEIND, , M8x25-8.8
11	190003098026	1	DICHTINGSRING, , A22x27-CU
16	130100070714	1	SCHROEF,
17	130182010704	1	ELLEBOOG,
18	130182010705	1	SHEET,
19	130100010705	1	RING,
20	190003862420	1	SCHROEF, , M8x16-10.9
21	130182010701	1	DICHTINGSRING,
22	190003962014	1	PLUG, Hex Wash Hd, M10 x 1, , A-M10x1
23	190003098010	1	DICHTINGSRING, , A10x13,5-CU
24	130100040723	3	ZUIGERMANTEL,
25	130100041001	6	DICHTINGSRING,
26	130100041002	6	DICHTINGSRING,
30	130182010712	1	MOER,
31	130100020701	4	RING,
32	130182010708	4	SCHIJF,
35	130100010721	8	SCHIJF,
36	190003909588	4	SPANSTIFT, , 4x8
37	190003901418	4	PEN, , 8m6x18
38	190003901528	2	PEN, , 10m6x28
39	130100010710	1	DICHTINGSSTUK,
40	130100010719	8	SCHROEF,
41	130100010713	1	SCHIJF,
42	130100010708	1	MOER,
43	130182010709	1	SCHROEF,
44	190003330165	1	KOGEL, , 9,0mm
45	130182010703	1	SPRING, COMPRESSION,
46	190003098016	1	DICHTINGSRING, , A16x20-CU
47	130182010710	1	MOER,
48	130100010712	1	SPOEL,
49	130182010707	3	SPROEIER,

## 02-10(01) CRANKCASE

Ref	Onderdeelnummer	Kwt	Beschrijving
50	130182010702	3	DICHTINGSRING,
51	130182010706	3	SCHIJF,
52	16043224	3	BOUT, Hex, M8 x 16, 8.8, Full Thd,
53	130100010705	3	RING,
54	REF	-	INSTRUCTION, , Siehe Kurbelwelle/See crankshaft/Voir vilebrequin/Se krumtapaksel/Vedere albero motore

02-11(01) CYLINDER BLOCK-FRONT COVER

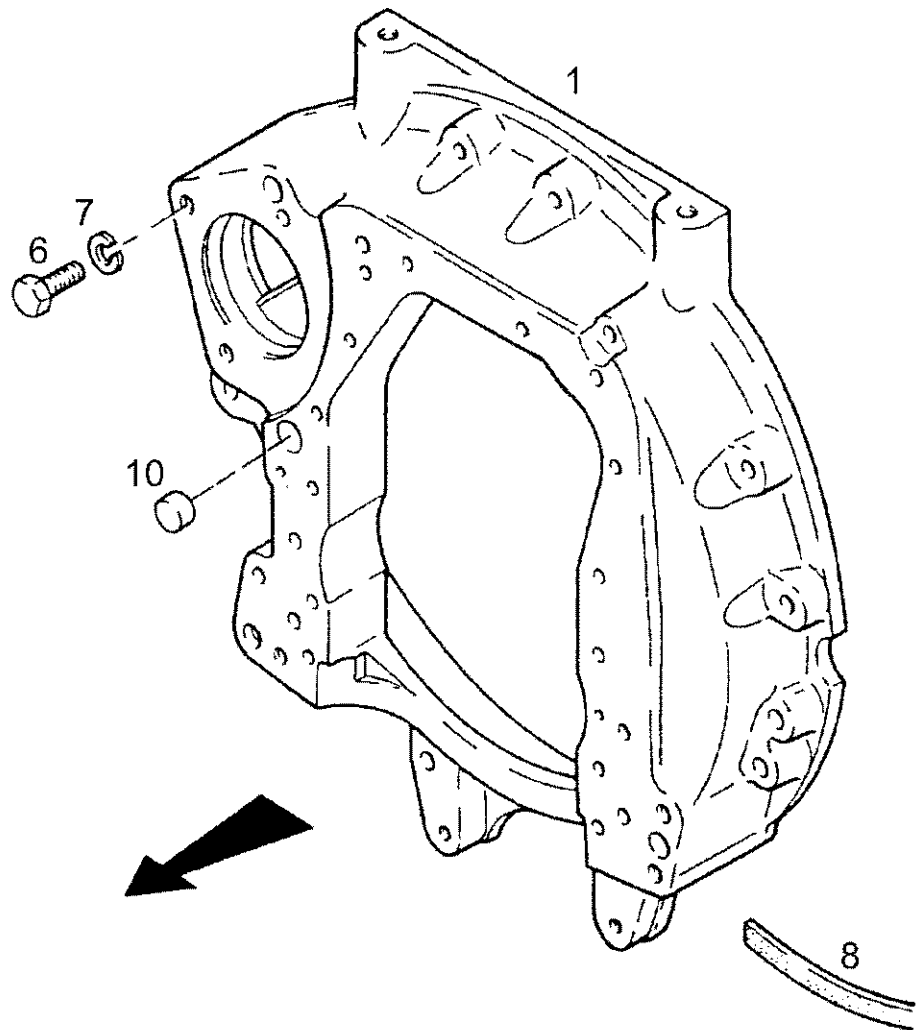
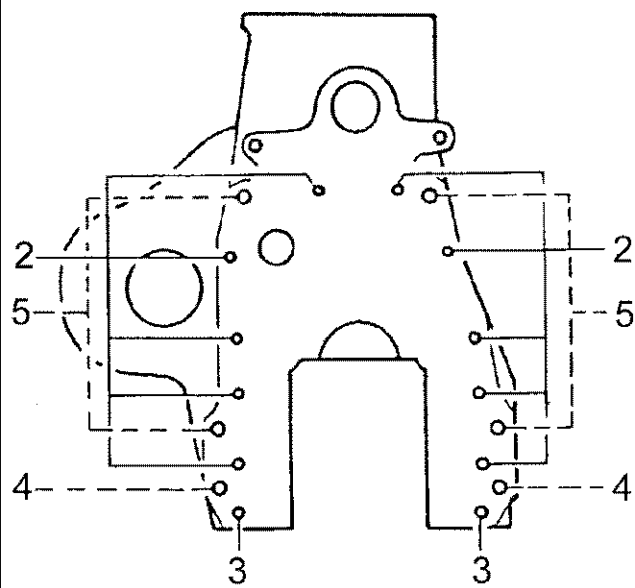
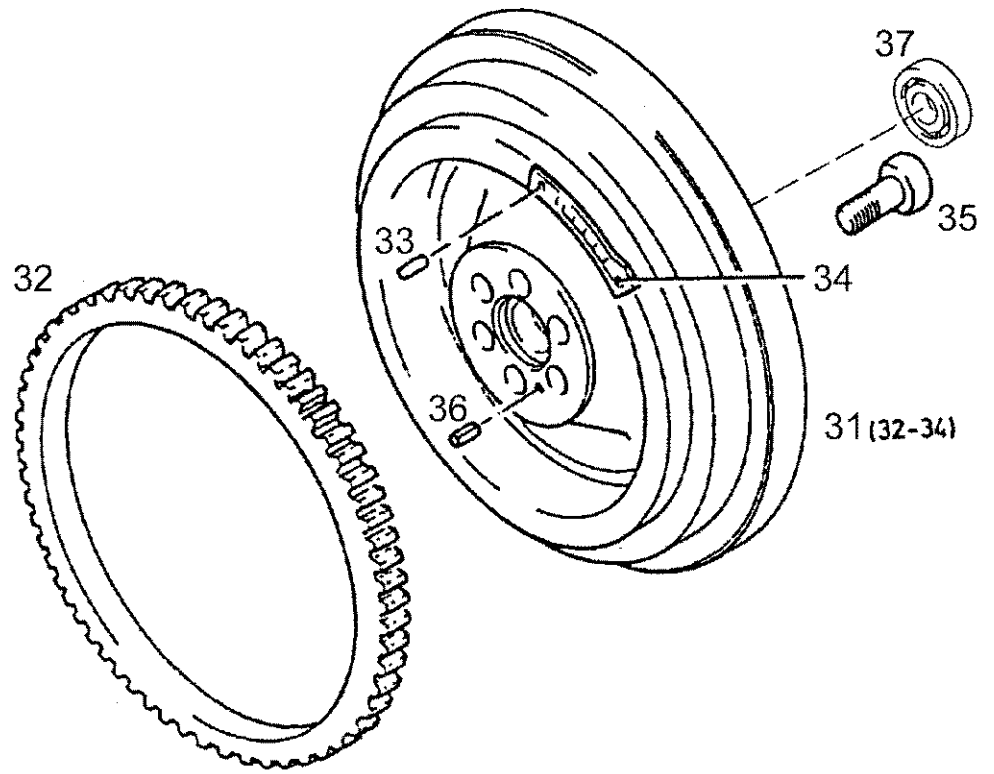




## 02-11(01) CYLINDER BLOCK-FRONT COVER

Ref	Onderdeelnummer	Kwt	Beschrijving
2	130100010715	1	COVER,
3	130100010709	1	HUIS,
4	130100010704	1	DICHTINGSRING,
5	190003800038	1	SCHROEF, , M6x90-8.8
8	130100010730	1	LAGERBUS,
9	130100010707	2	DICHTINGSRING,
10	130100010727	1	DICHTINGSRING,
11	130100010731	1	COVER,
14	130100010717	1	DICHTINGSSTUK,
15	130100010744	2	PEN,
16	15213321	3	BOUT, Hex, M8 x 35, 8.8,
18	190003802527	1	SCHROEF, , M10x30-8.8
19	130100010716	1	DICHTINGSSTUK,
21	190003800441	5	SCHROEF, , M8x45-8.8
22	190003800467	6	SCHROEF, , M8x75-8.8
23	190003098008	1	DICHTINGSSTUK, , A8X11,5
24	190003862572	1	SCHROEF, , M10x90-10.9
25	130100010705	11	RING,
26	130100010722	1	SCHROEF,
31	130100010720	1	COVER,
32	130100010703	1	DICHTINGSRING,
33	120104	2	BOUT, Hex, M8 x 20, 8.8,
34	190003932023	2	WASHER, SPRING, , B8
41	130100010734	1	OIL EXTRACTOR,
42	130100010735	1	VERLOOPSTUK,
43	130100010706	1	FLEXIBELE BUIS,
44	190003989340	2	KLEM, , 22/29
45	15213321	1	BOUT, Hex, M8 x 35, 8.8,
46	130100010705	1	RING,
47	43362	1	MOER, M8, CI 10,
48	130100010736	1	SPRING, COMPRESSION,
49	1614050124	1	O-RING,
50	130100010725	1	COVER, , Einschließlich/Includes/Avec/Inklusive/Compreso 54
51	130100010726	1	DICHTINGSSTUK,
52	43127	10	BOUT, Hex, M8 x 25, 8.8,
53	190003932023	10	WASHER, SPRING, , B8
54	130100010728	1	DICHTINGSRING,
55	REF	-	INSTRUCTION, , Siehe Hydraulikpumpeneinbau/See hydraulic pump built-in/Voir pompe hydraulique-incorporation/Se hydraulikpumpe-installation/Vedere pompa idraulica-montaggio

02-12(01) FLYWHEEL AND HOUSING



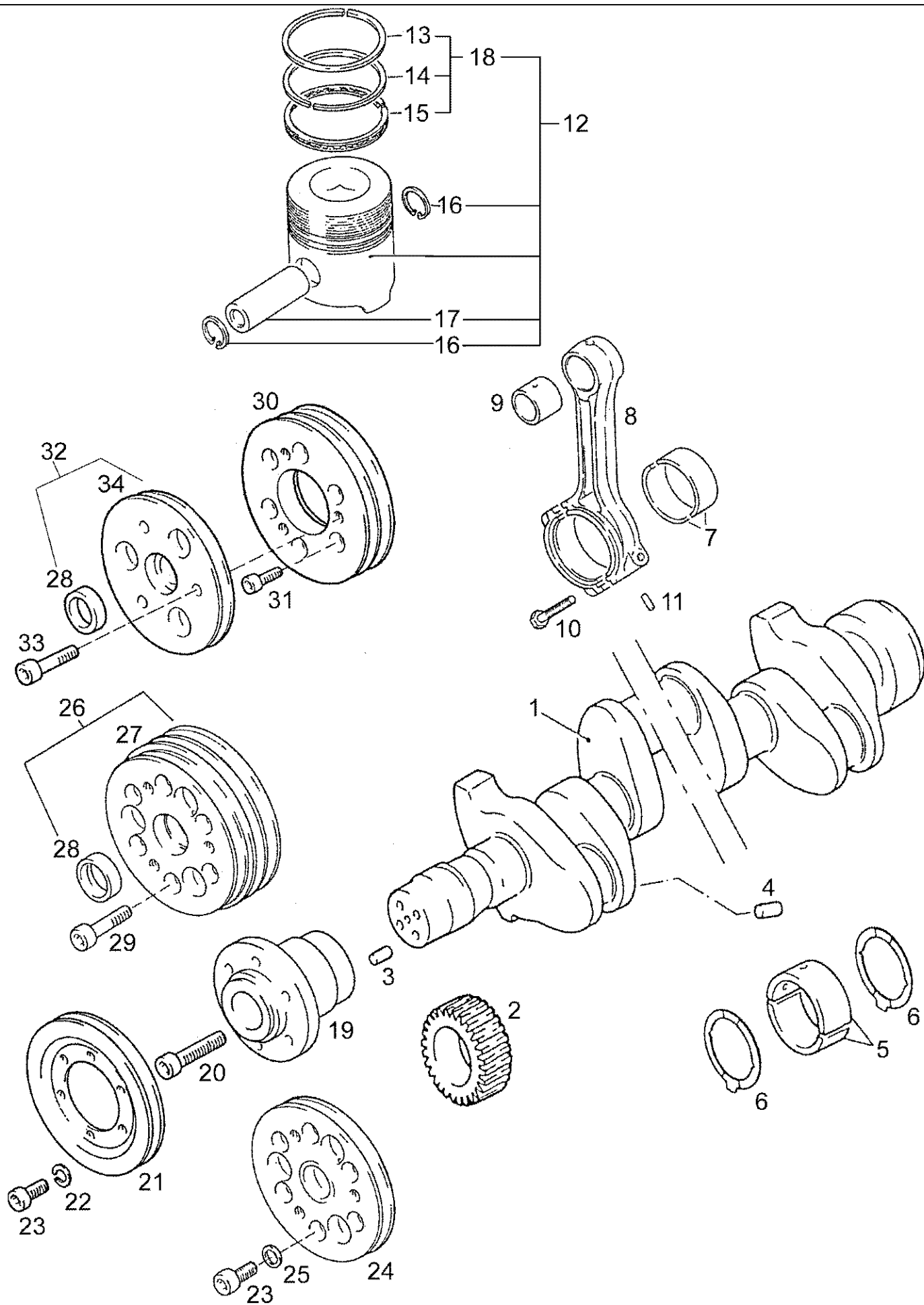
2 (M10x35)  
5 (M12x45)

3 (M10x85)  
4 (M12x80)

## 02-12(01) FLYWHEEL AND HOUSING

Ref	Onderdeelnummer	Kwt	Beschrijving
1	130100010751	1	HUIS,
2	130100010747	10	SCHROEF,
3	130100010748	2	SCHROEF,
4	130100010749	2	SCHROEF,
5	130100010750	4	SCHROEF,
6	190003802527	3	SCHROEF, , M10x30-8.8
7	130100020701	3	RING,
8	130100010752	1	RUBBER,
10	130100010753	1	PLUG,
31	130100020721	1	FLYWHEEL WITH GEAR, , Einschließlich/Includes/Avec/Inklusive/Compreso 32 - 34
32	130100020719	1	RING, ZWENKEND,
33	130100020722	1	PEN,
34	130100020723	1	SCALE,
35	190003862814	6	SCHROEF, , M16x40-10.9
36	190003909626	1	SPANSTIFT, , 6x12
37	REF	-	INSTRUCTION, , Siehe Kupplung/See clutch/Voir embrayage/Se kobling/Vedere frizione

02-13(01) CRANKSHAFT, PULLEY / PISTONS AND CONNECTING RODS



## 02-13(01) CRANKSHAFT, PULLEY / PISTONS AND CONNECTING RODS

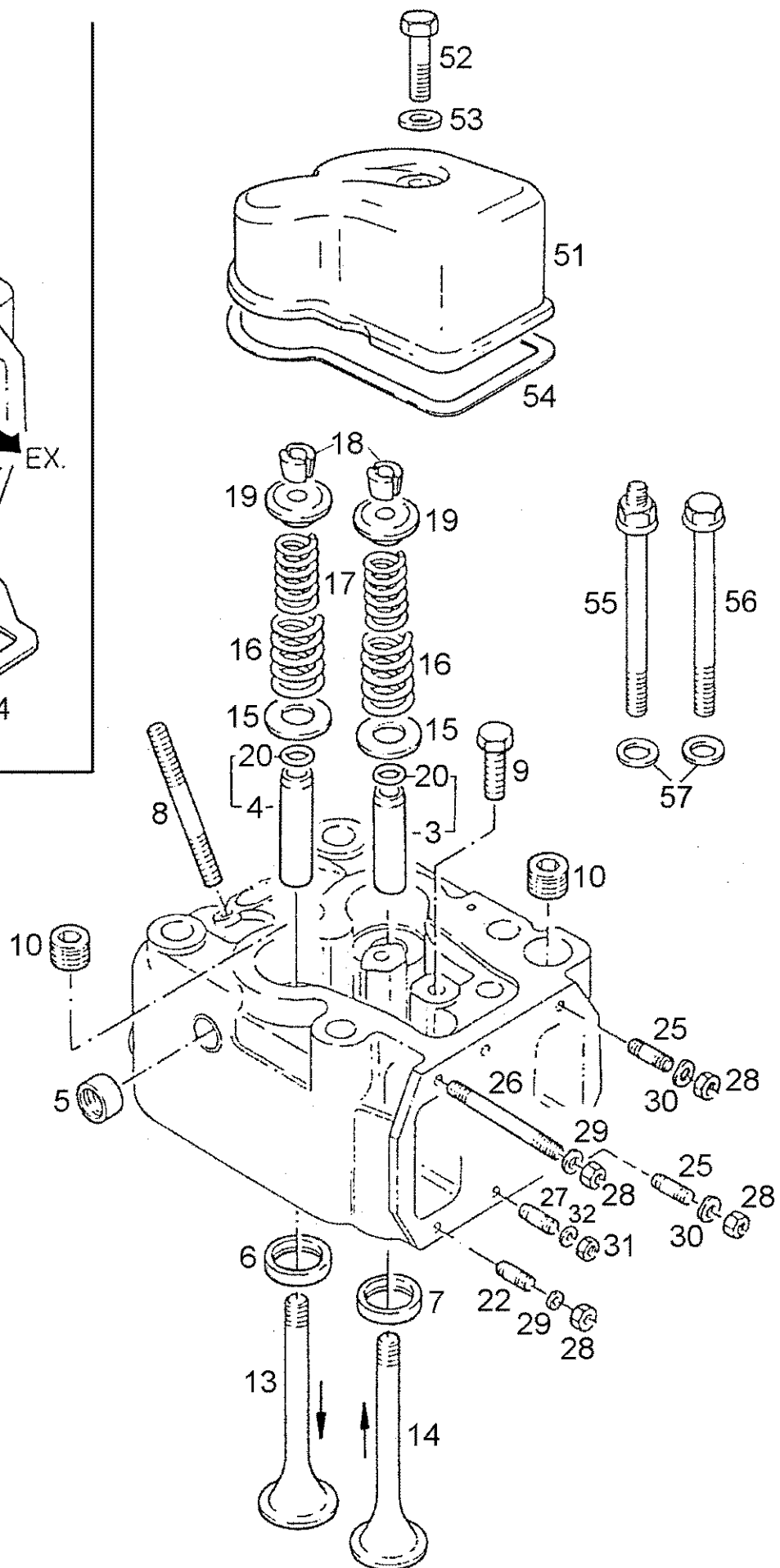
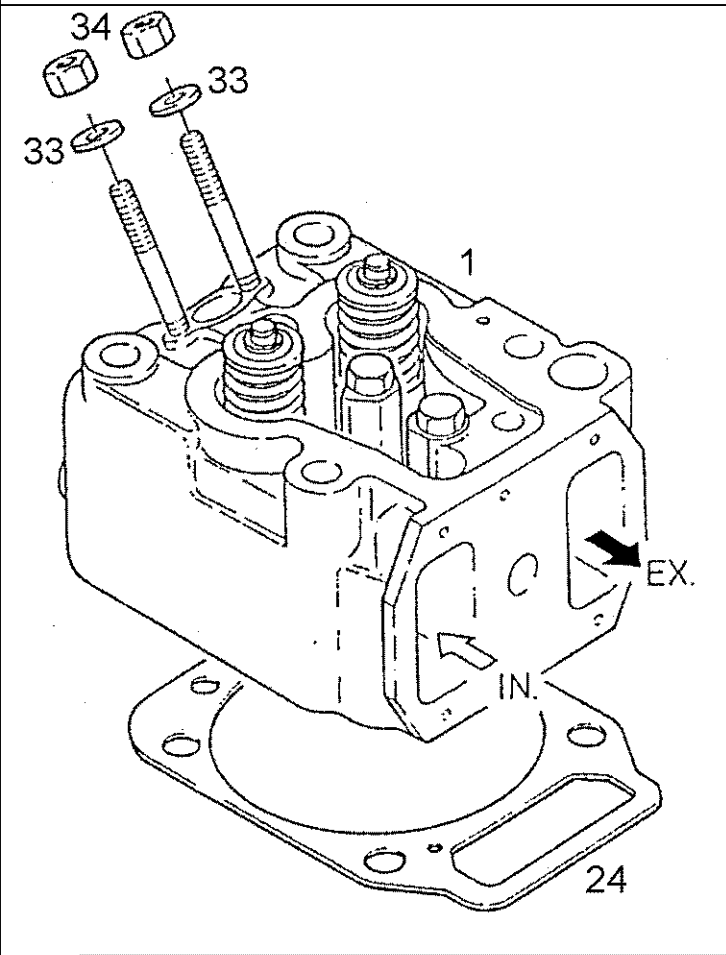
Ref	Onderdeelnummer	Kwt	Beschrijving
1	130100020720	1	KRUKAS, , Einschließlich/Includes/Avec/Inklusive/Compreso 2 - 7
2	130100020708	1	PIGNON,
3	190003909611	1	SPANSTIFT, , 4x16
4	130100020702	3	PLUG,
5	130100010755	4	BEARING, CRANKSHAFT, , 70,00mm
5	130100010737	4	BEARING, CRANKSHAFT, , 69,75mm
5	130100010738	4	BEARING, CRANKSHAFT, , 69,50mm
5	130100010739	4	BEARING, CRANKSHAFT, , 69,25mm
5	130100010740	4	BEARING, CRANKSHAFT, , 69,00mm
6	130100010754	2	RACE, , 3,43mm
6	130100010701	2	RACE, , 3,53mm
6	130100010702	2	RACE, , 3,63mm
6	130100010711	2	RACE, , 3,73mm
7	130100030714	3	BEARING, CON. ROD, , 63,00mm
7	130100030709	3	BEARING, CON. ROD, , 62,75mm
7	130100030710	3	BEARING, CON. ROD, , 62,50mm
7	130100030711	3	BEARING, CON. ROD, , 62,25mm
7	130100030712	3	BEARING, CON. ROD, , 62,00mm
8	130100030706	3	VERBINDINGSSTANG, , Einschließlich/Includes/Avec/Inklusive/Compreso 9 - 11
9	130100030705	3	BEARING, CON. ROD,
10	130100030707	6	SCHROEF,
11	130100030713	3	PEN,
12	130182030702	3	ZUIGER, , Besteht aus/Consists of/Compose de/Bestående af/È composto da 13 - 17
13	130100030703	3	ZUIGERRING,
14	130100030702	3	ZUIGERRING,
15	130100030704	3	ZUIGERRING,
16	130100030701	6	RING, SNAP,
17	130182030701	3	PIN, LARGE,
18	130100030708	3	RING SET, PISTON, , Besteht aus/Consists of/Compose de/Bestående af/È composto da 13 - 15
19	130100020709	1	NAAF,
20	190003862826	4	SCHROEF, , M16x50-10.9
21	130100020705	1	RIEMSCHIJF,
22	130100020701	6	RING,
23	190003862515	6	SCHROEF, , M10x16-10.9
24	130100020008	1	RIEMSCHIJF,
25	130100020011	6	RING,
26	130100020010	1	RIEMSCHIJF, , Besteht aus/Consists of/Compose de/Bestående af/È composto da 27, 28
27	130100020009	1	RIEMSCHIJF,
28	137700290080	1	RESERVERING, , 32x40; 10
29	190003862540	6	SCHROEF, , M10x45-10.9
30	140100020001	1	RIEMSCHIJF,

M968 STEYR TRACTOR / --->04939 (6/97-3/99) - Motor

02-13(01) CRANKSHAFT, PULLEY / PISTONS AND CONNECTING RODS

Ref	Onderdeelnummer	Kwt	Beschrijving
31	190003862528	6	SCHROEF, , M10x25-10.9
32	140100020003	1	RIEMENSCHIEBE, Besteht aus/Consists of/Compose de/Bestående af/È composto da 28, 34
33	190003860290	3	SCHROEF, , M12x40-10.9
34	140100020002	1	RIEMSCHIIF,

02-14(01) CYLINDER HEAD AND GASKETS

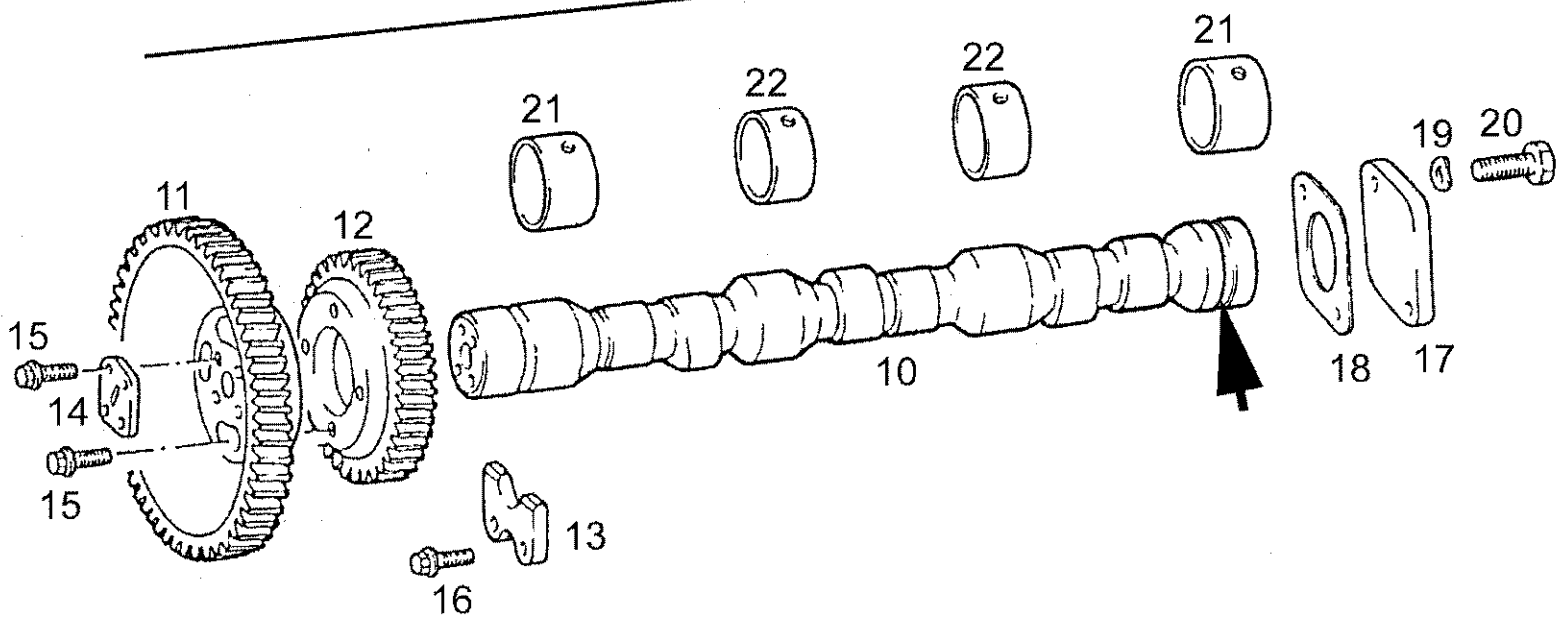
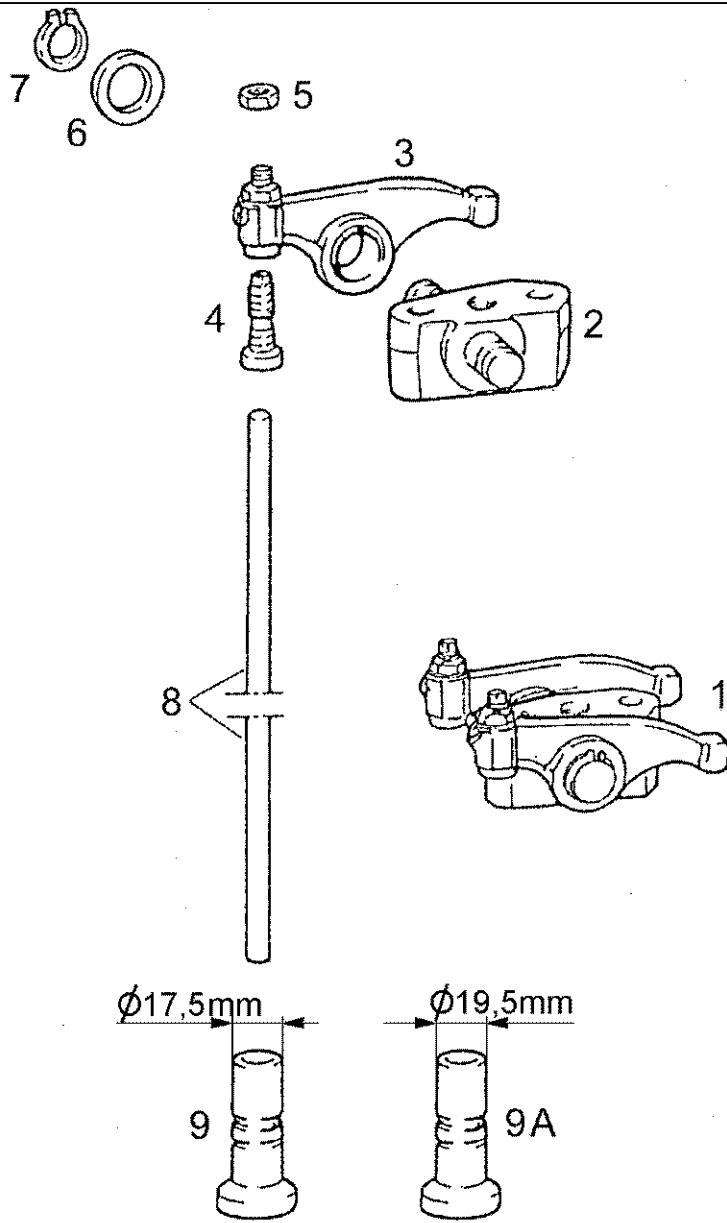


## 02-14(01) CYLINDER HEAD AND GASKETS

Ref	Onderdeelnummer	Kwt	Beschrijving
1	130182040703	3	KRIK, , Einschließlich/Includes/Avec/Inklusive/Compreso 3 - 22, 25 - 34
3	130100040706	3	VALVE, , 15,00mm; Einschließlich/Includes/Avec/Inklusive/Compreso 20
3	130100040713	3	VALVE, , 15,10mm
3	130100040715	3	VALVE, , 15,20mm
4	130100040707	3	VALVE, , 15,00mm; Einschließlich/Includes/Avec/Inklusive/Compreso 20
4	130100040714	3	VALVE, , 15,10mm
4	130100040712	3	VALVE, , 15,20mm
5	190003961908	9	SPOEL, , B25
6	130182040702	3	SEAT, VALVE,
6	130100040719	3	SEAT, VALVE, , +0,2mm
7	130100040716	3	SEAT, VALVE,
7	130100040720	3	SEAT, VALVE, , +0,2mm
8	190003813449	6	TAPEIND, , M8x40-8.8
9	9706704	6	BOUT, Hex, M10 x 35, 8.8, Full Thd, , M10x35-8.8
10	190003960008	6	SCHROEF, , M22x1,5
13	130182050701	3	INLAATKLEP,
14	130182050702	3	UITLAATKLEP,
15	130100040711	6	SCHIJF,
16	130100040703	6	SPRING, COMPRESSION,
17	130100040702	6	SPRING, COMPRESSION,
18	130100040710	12	POPPET, VALVE,
19	130100040709	6	CUP, SPRING,
20	130100040701	6	DICHTINGSRING,
22	190003813532	3	TAPEIND, , M10x30-8.8
24	130142040702	3	DICHTINGSSTUK, , 1,4mm
25	190003813543	6	TAPEIND, , M10x40-8.8
26	190003813580	3	TAPEIND, , M10x100-8.8
27	130100040718	3	TAPEIND,
28	130100040725	12	MOER, , M10
29	130100020701	6	RING,
30	130100040708	6	SCHIJF,
31	130100040726	3	MOER,
32	130100010705	3	RING,
34	130100040724	6	MOER, , M8
51	130100040704	3	HOOD,
52	15213321	3	BOUT, Hex, M8 x 35, 8.8,
53	190003098009	3	DICHTING, RUBBER, , A8x14-CU
54	130100040705	3	DICHTINGSSTUK,
55	130100010733	2	SCHROEF,
56	130100010732	10	SCHROEF,
57	130100010721	12	SCHIJF,

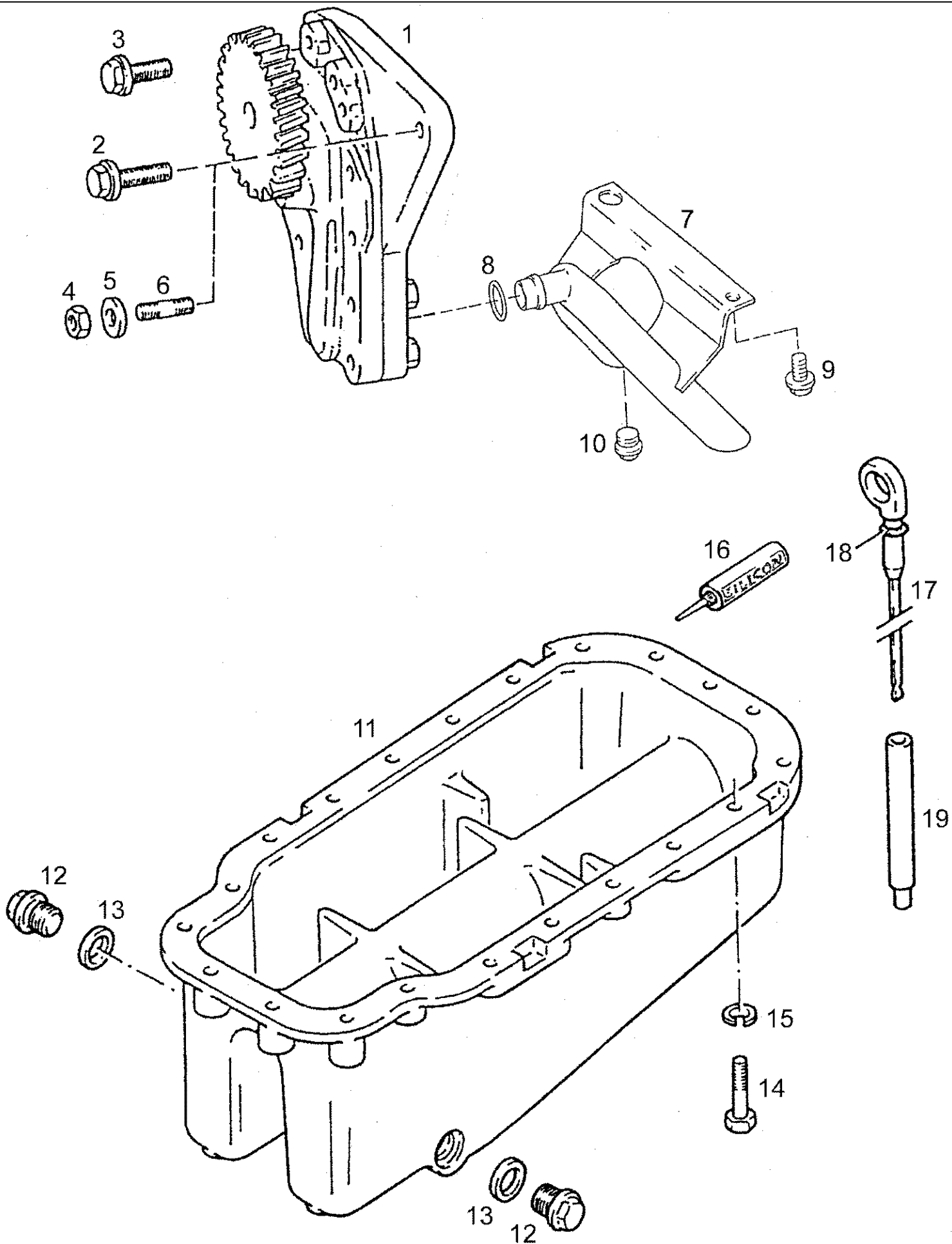


02-15(01) VALVE MECHANISM, CAMSHAFT



## 02-15(01) VALVE MECHANISM, CAMSHAFT

Ref	Onderdeelnummer	Kwt	Beschrijving
1	130100050709	3	HEFBOOM, , Besteht aus/Consists of/Compose de/Bestående af/È composto da 2 - 7
2	130100050708	3	HEFBOOM,
3	130100050710	6	ROCKER, , Einschließlich/Includes/Avec/Inklusive/Compreso 4, 5
4	130100050704	3	SCHROEF,
5	130100050705	3	MOER,
6	130100050713	12	SCHIJF,
7	190003933067	6	BORGPLAAT, , 16x1
8	130100050702	6	ROD, PUSH,
9	130100050703	6	NOK, , ----> . . . .
9A	130100050721	6	NOK, , . . . .---->; Reparatursatz/Repair kit/Colis de reparation/Reparatursæt/Set di riparazione
10	130100050720	1	CAMSHAFT,
11	130100050706	1	PIGNON,
12	130100050707	1	PIGNON,
13	130100050711	1	SEGMENT,
14	130100050714	1	FLENS,
15	130100050701	8	SCHROEF, , AM8x22-12.9
16	130100070703	2	SCHROEF,
17	130100050712	1	FLENS,
18	130100050718	1	DICHTINGSSTUK,
19	130100010705	2	RING,
20	190003802443	2	SCHROEF, , M8x20-10.9
21	130100050715	2	NOKKENAS LAGER, , Reparatursatz/Repair kit/Colis de reparation/Reparatursæt/Set di riparazione
22	130100050716	2	NOKKENAS LAGER, , Reparatursatz/Repair kit/Colis de reparation/Reparatursæt/Set di riparazione

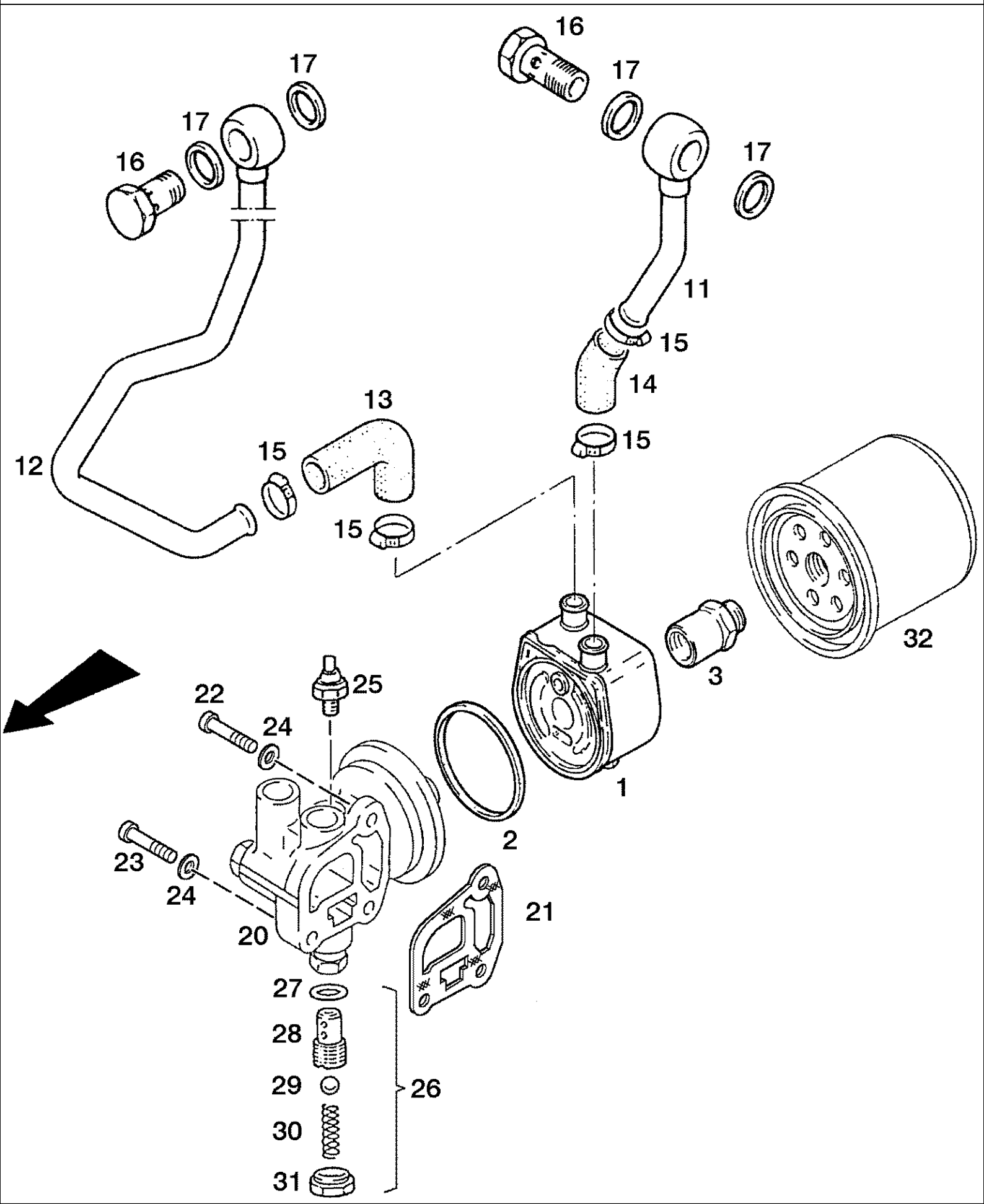


M968 STEYR TRACTOR / --->04939 (6/97-3/99) - Motor

02-16(01) LUBRICATING OIL PUMP / OIL PAN / DIPSTICK

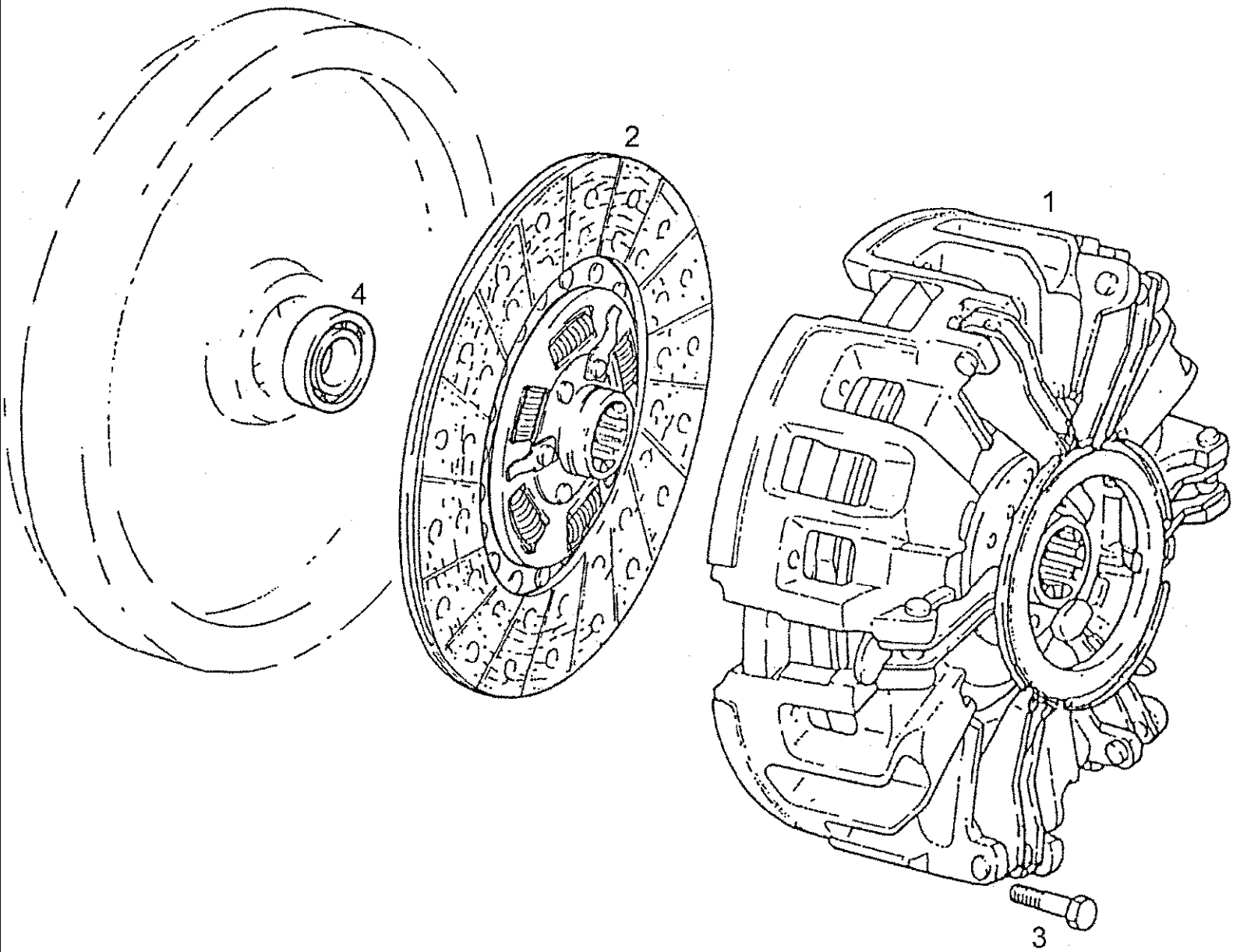
Ref	Onderdeelnummer	Kwt	Beschrijving
1	130100070708	1	OLIEPOMP,
2	130100070702	1	SCHROEF, , AM8x35-12.9
3	130100050701	1	SCHROEF, , AM8x22-12.9
4	130100010708	1	MOER,
5	130100010713	1	SCHIJF,
6	190003813434	1	TAPEIND, , M8x25-8.8
7	130143070701	1	LEIDING,
8	130100070701	1	DICHTINGSRING,
9	130100070703	1	SCHROEF,
10	130100070714	1	SCHROEF,
11	130143150701	1	PAN, OIL,
12	130100150703	2	SCHROEF,
13	130100150704	2	OIL-SEAL,
14	190003800441	21	SCHROEF, , M8x45-8.8
15	130100010705	21	RING,
16	190007990035	1	LOCTITE,
17	130142150704	1	PEILSTANG, , Einschließlich/Includes/Avec/Inklusive/Compreso 8
18	130100150701	1	DICHTINGSRING,
19	130100010729	1	OPVULPIJP,

02-17(01) OIL FILTER AND COOLER



## 02-17(01) OIL FILTER AND COOLER

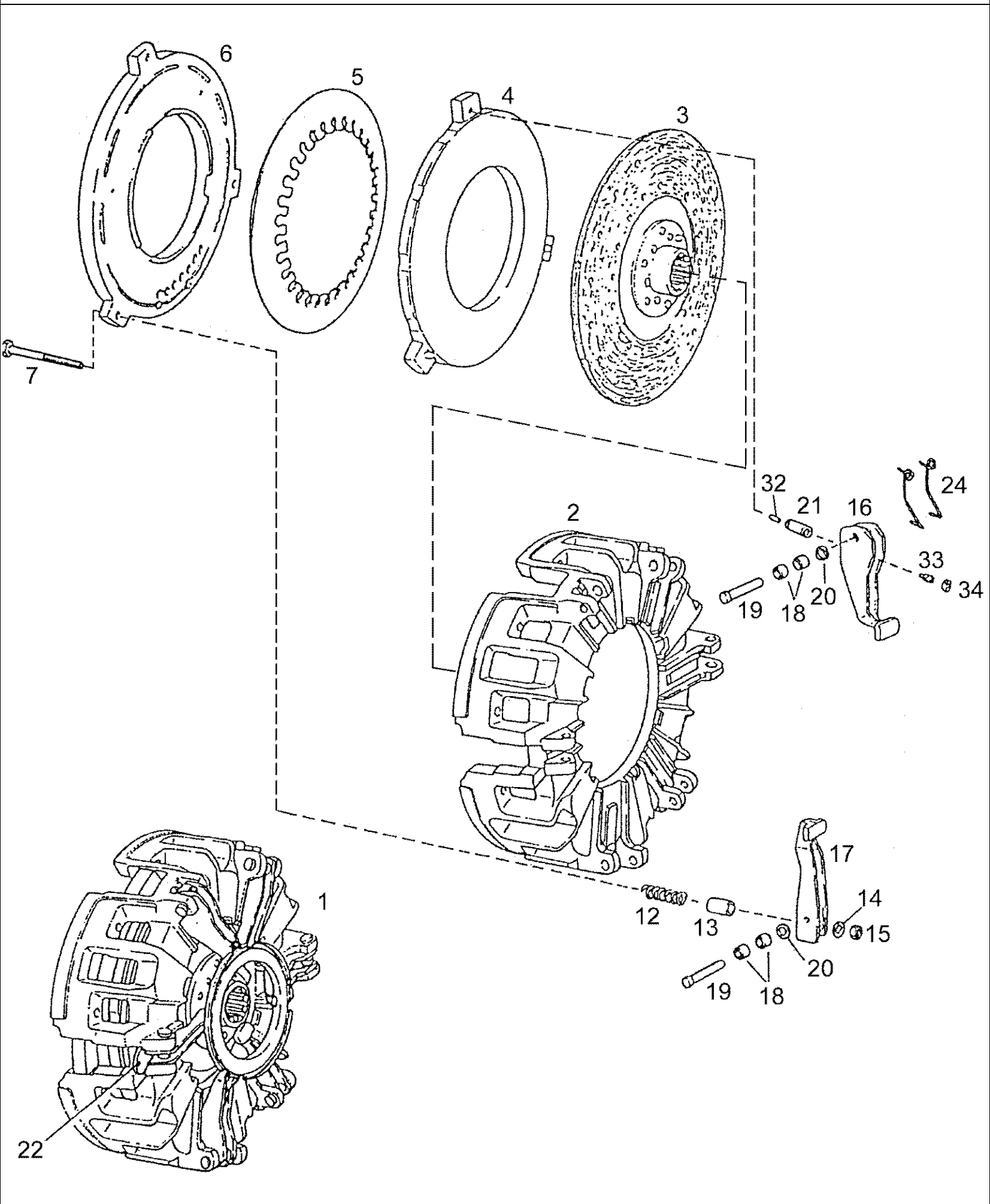
Ref	Onderdeelnummer	Kwt	Beschrijving
1	130182070712	1	RADIATOR,
2	130182070704	1	DICHTINGSSTUK,
3	130182070713	1	VERLOOPSTUK,
11	130182530703	1	LEIDING,
12	130182530704	1	LEIDING,
13	130182530702	1	FLEXIBELE BUIS,
14	130182530705	1	FLEXIBELE BUIS,
15	190003989336	4	BUISKLEM, , 16/22
16	130182530701	2	VIJZELSCHROEF,
17	190003098026	4	DICHTINGSRING, , A22x27-CU
20	130100070706	1	FILTER,
21	130100070707	1	DICHTINGSSTUK,
22	130100070712	1	SCHROEF,
23	130100070713	2	SCHROEF,
24	190003932025	3	SCHIJFVEER, , A10
25	REF	-	INSTRUCTION, , Siehe Kapitel 04/See Chapter 04/Voir Chapitre 04/Se kapitel 04/Vedere capitolo 04
26	130100070709	1	KLEP, , Besteht aus/Consists of/Compose de/Bestående af/È composto da 27 - 31
27	190003098029	1	DICHTINGSRING, , A20x24-CU
28	130100070710	1	BODY, VALVE,
29	190003330543	1	KOGEL, , Ø11mm
30	130100070705	1	SPRING, COMPRESSION,
31	130100070711	1	SCHROEF,
32	130100071001	1	OLIEFILTER,



## 02-18(01) TWO FUNCTION CLUTCH, BUILT-IN

Ref	Onderdeelnummer	Kwt	Beschrijving
1	141100160095	1	CLUTCH ASSEMBLY, , ---->01412; Siehe nächste Seite(n)/See next page(s)/Voir page(s) suivante(s)/Se næste side (r )/Vedere pagin(a/e) sequent(e/i)
1	130100160004	1	CLUTCH ASSEMBLY, , 01413 ---->; Siehe nächste Seite(n)/See next page(s)/Voir page(s) suivante(s)/Se næste side (r )/Vedere pagin(a/e) sequent(e/i)
2	130100160002	1	KOPPELING, AANDRIJFPLAAT, , ---->01412
2	130100160005	1	KOPPELING, AANDRIJFPLAAT, , 01413 ---->
3	190003802461	12	SCHROEF, , M8x60-8.8 / ---->01412
3	190003800480	12	SCHROEF, , M8x95-8.8 / 01413 ---->
4	190003311111	1	LAGER, KOGEL,

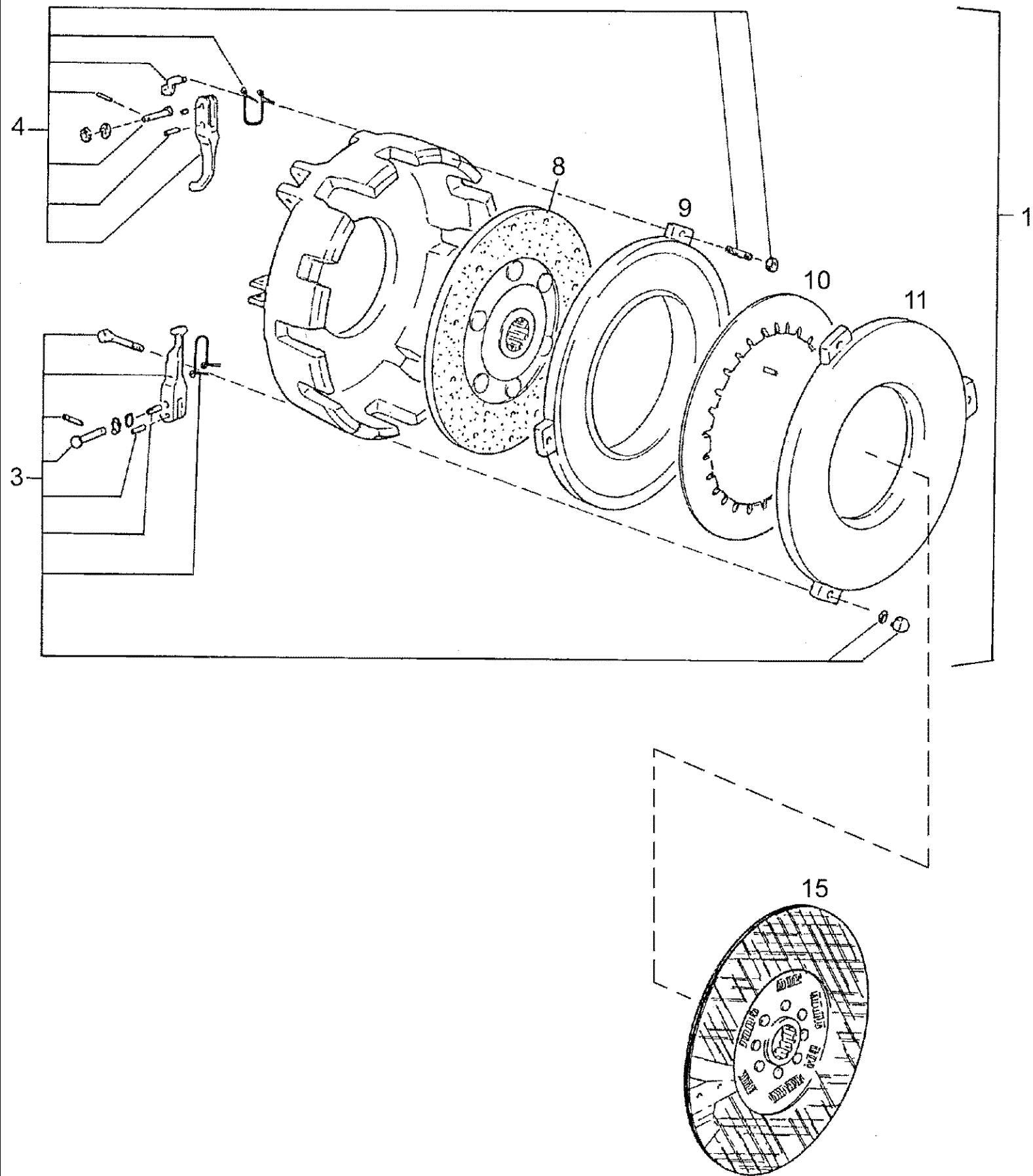




M968 STEYR TRACTOR / --->04939 (6/97-3/99) - Motor

02-19(01) TWO FUNCTION CLUTCH, DISASSEMBLED / ---->01412

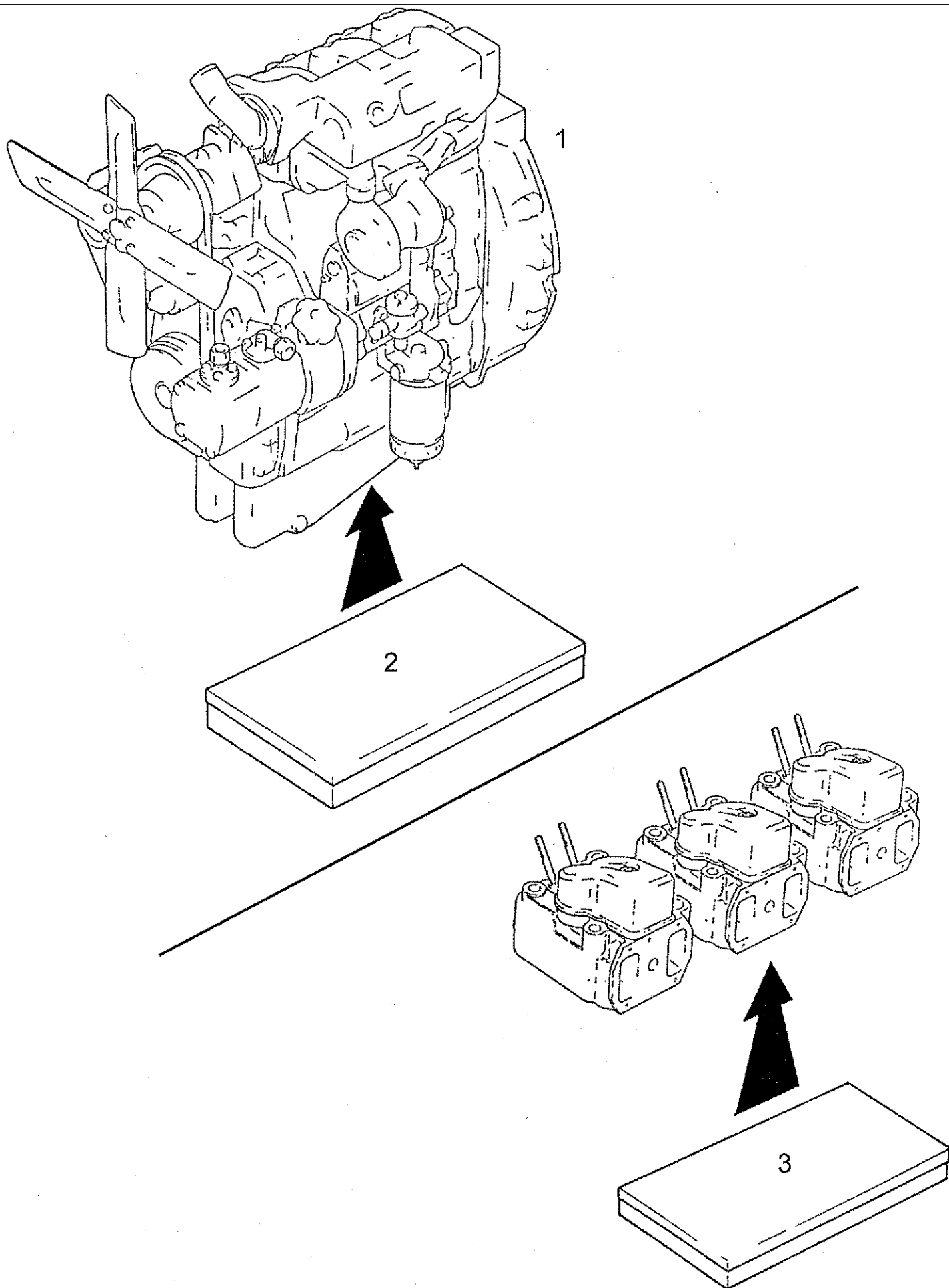
Ref	Onderdeelnummer	Kwt	Beschrijving
1	141100160095	1	CLUTCH ASSEMBLY, , Besteht aus/Consists of/Compose de/Bestående af/È composto da 2 - 34
2	141100160836	1	HUIS,
3	141100160093	1	KOPPELINGSPLAAT,
4	141100160878	1	PLAAT, GROOT,
5	141100160833	1	SPRING, BELLEVILLE,
6	141100160824	1	PLAAT, GROOT,
7	141100160827	3	PIN, LARGE,
8	141100160834	3	SPRING, COMPRESSION,
13	141100160828	3	AFSTANDSRING,
14	141100160835	3	SCHIJF,
15	141100160830	3	MOER,
16	141100160866	3	HEFBOOM, , Einschließlich/Includes/Avec/Inklusive/Compreso 33, 34
17	141100160867	3	HEFBOOM,
18	141100160829	12	LAGERBUS,
19	141100160826	6	AS,
20	141100160831	6	SLUITRING,
21	141100160880	3	PIN, LARGE,
22	141100160873	3	BAIL,
24	141100160879	3	VEER,
32	141100160881	3	PEN,
33	141100160840	3	PEN,
34	1313T160710	3	SPARE PART, MUTTER



M968 STEYR TRACTOR / --->04939 (6/97-3/99) - Motor

02-20(01) TWO FUNCTION CLUTCH, DISASSEMBLED / 01413 ---->

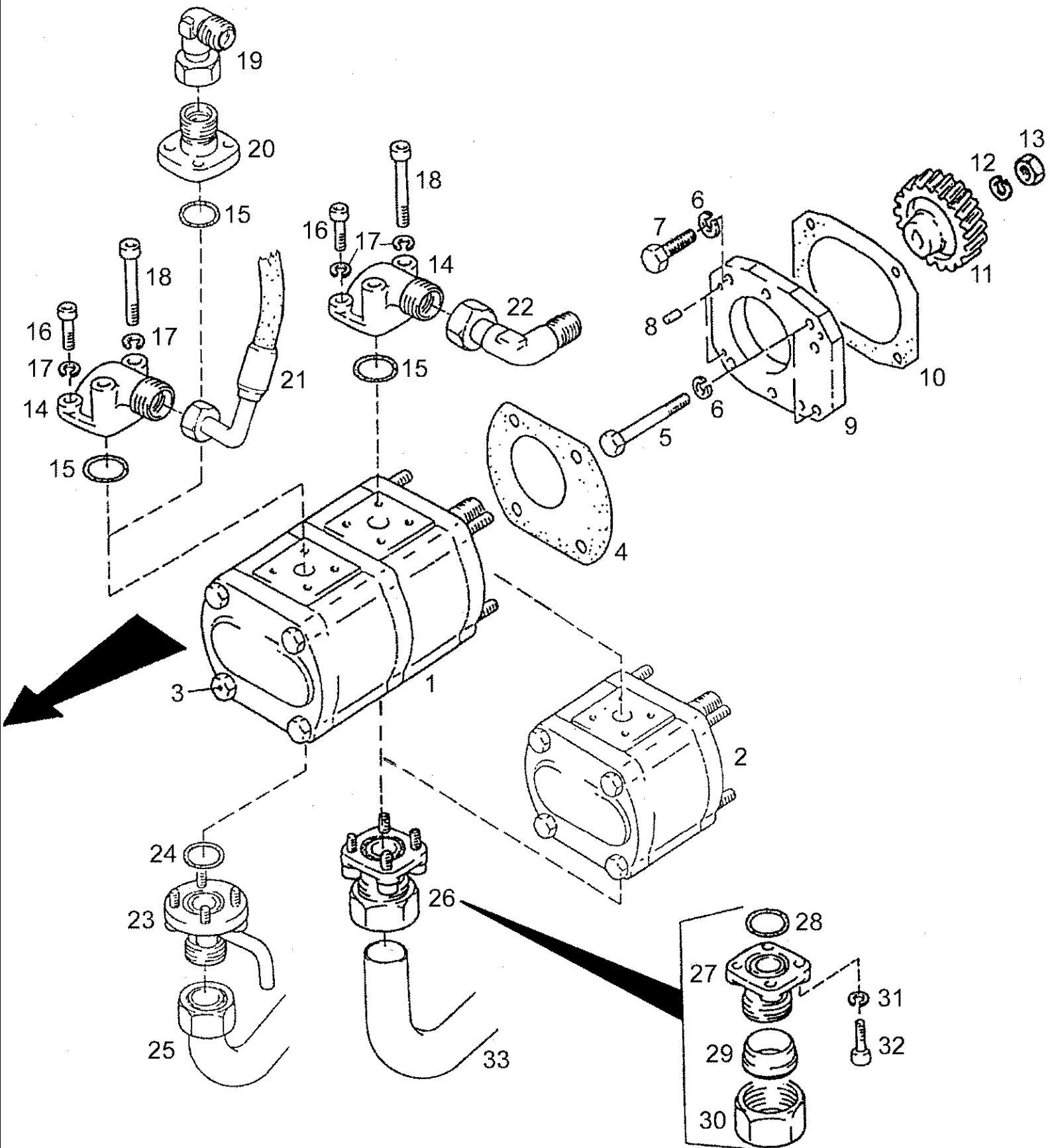
Ref	Onderdeelnummer	Kwt	Beschrijving
1	130100160004	1	CLUTCH ASSEMBLY, , Einschließlich/Includes/Avec/Inklusive/Compreso 3 - 11
3	130100160710	1	SET HENDELS,
4	130100160709	1	SET HENDELS,
8	130100160705	1	KOPPELING, AANDRIJFPLAAT,
9	130100160706	1	DRUKPLAAT,
10	130100160707	1	SPRING, BELLEVILLE,
11	130100160708	1	DRUKPLAAT,
15	130100160005	1	KOPPELING, AANDRIJFPLAAT,



M968 STEYR TRACTOR / --->04939 (6/97-3/99) - Motor

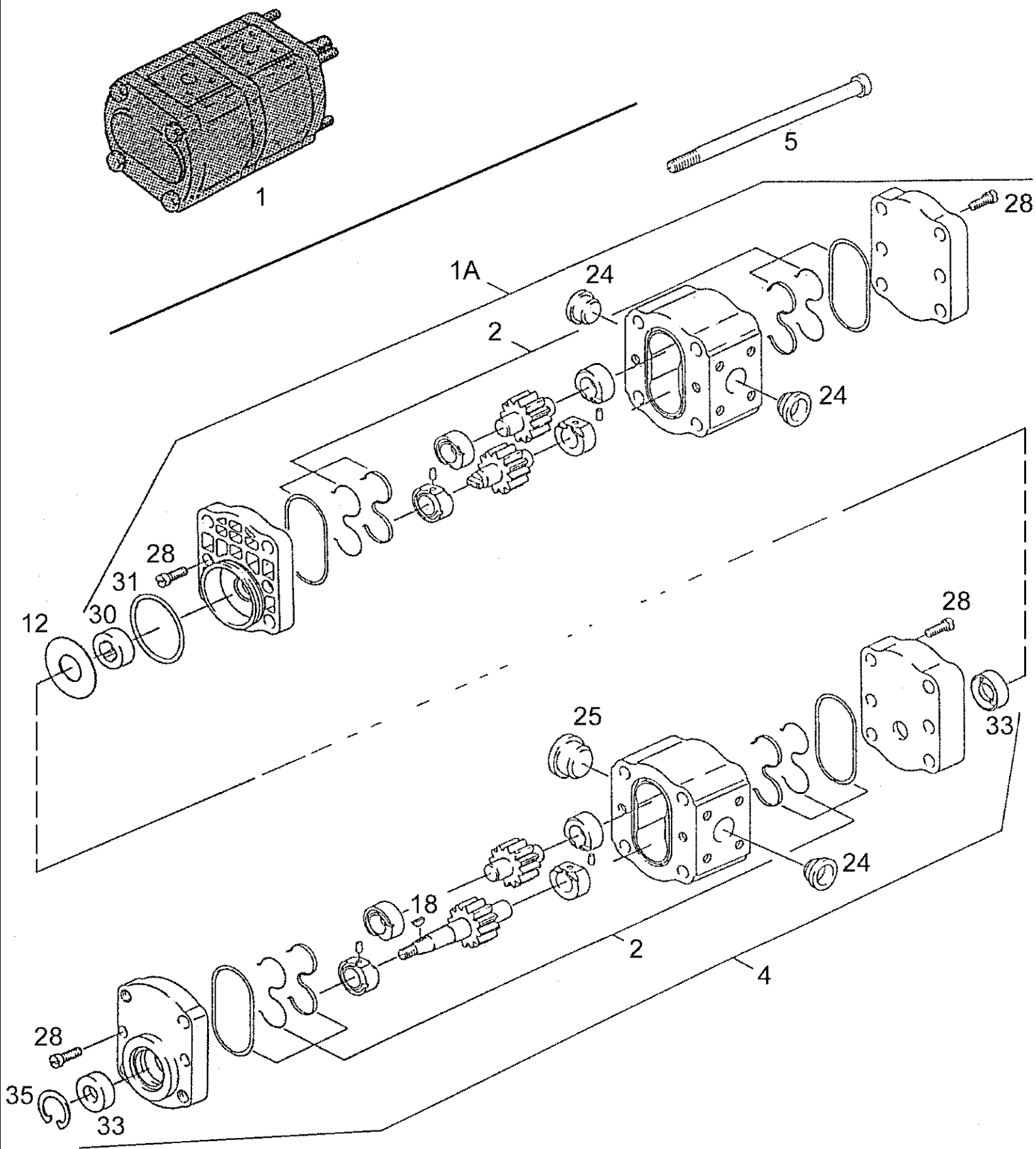
02-21(01) ENGINE ASSY AND PACKAGE, SEALS

Ref	Onderdeelnummer	Kwt	Beschrijving
1	130189000001	1	MOTOR,
2	130100010745	1	STEL MOTORDICHTINGEN,
3	130100010746	1	DICHTINGSKIT,



Ref	Onderdeelnummer	Kwt	Beschrijving
1	155700750017	1	PUMP, , Siehe nächste Seite(n)/See next page(s)/Voir page(s) suivante(s)/Se næste side (r)/Vedere pagin(a/e) seguent(e/i)
2	155700750016	1	POMP, , Siehe nächste Seite(n)/See next page(s)/Voir page(s) suivante(s)/Se næste side (r)/Vedere pagin(a/e) seguent(e/i)
3	190003800216	2	SCHROEF, , M10x200-10.9
4	130100130042	1	DICHTINGSSTUK,
5	190003800471	2	SCHROEF, , M8x90-8.8
6	130100010705	4	RING,
7	43127	2	BOUT, Hex, M8 x 25, 8.8,
8	190003901316	2	PEN, , 6m6x16
9	130100130704	1	PLAAT,
10	130100130703	1	DICHTINGSSTUK,
11	130100130036	1	PIGNON, , 25T
12	190003931142	1	BORGRING, , A12
13	190003871526	1	MOER, , M12x1,5
14	1-32-275-005	2	FLENS,
15	1209130084	2	RING, PACKING, , 18x2,5
16	86531615	4	SCHROEF, Hex Soc Hd, M6 x 20, 8.8, , M6x20-8.8
17	190003931082	8	SLUITRING, , A6
18	190003862346	4	SCHROEF, , M6x45-8.8
19	190003551241	1	VERBINDING, , L12
20	1-35-127-056	1	FLANSCH
21	REF	-	INSTRUCTION, , Siehe Kapitel 06/See Chapter 06/Voir Capitre 06/Se kapitel 06/Vedere capitolo 06
22	REF	-	INSTRUCTION, , Siehe Kapitel 05/See Chapter 05/Voir Capitre 05/Se kapitel 05/Vedere capitolo 05
23	133700750005	1	LEIDING,
24	1780340207	1	O-RING, , 24x29
25	REF	-	INSTRUCTION, , Siehe Kapitel 06/See Chapter 06/Voir Capitre 06/Se kapitel 06/Vedere capitolo 06
26	133700750003	1	FLENS, , Besteht aus/Consists of/Compose de/Bestående af/È composto da 27 - 32
27	NSS	-	NIET ALLEEN VERKRIJGBAAR,
28	155700730776	1	O-RING,
29	190003559566	1	TONNETJE, , L28
30	190003559505	1	NUT, TUBE, , AL28
31	155700730741	1	BORGRING,
32	155700730777	1	SCHROEF,
33	REF	-	INSTRUCTION, , Siehe Kapitel 08/See Chapter 08/Voir Capitre 08/Se kapitel 08/Vedere capitolo 08

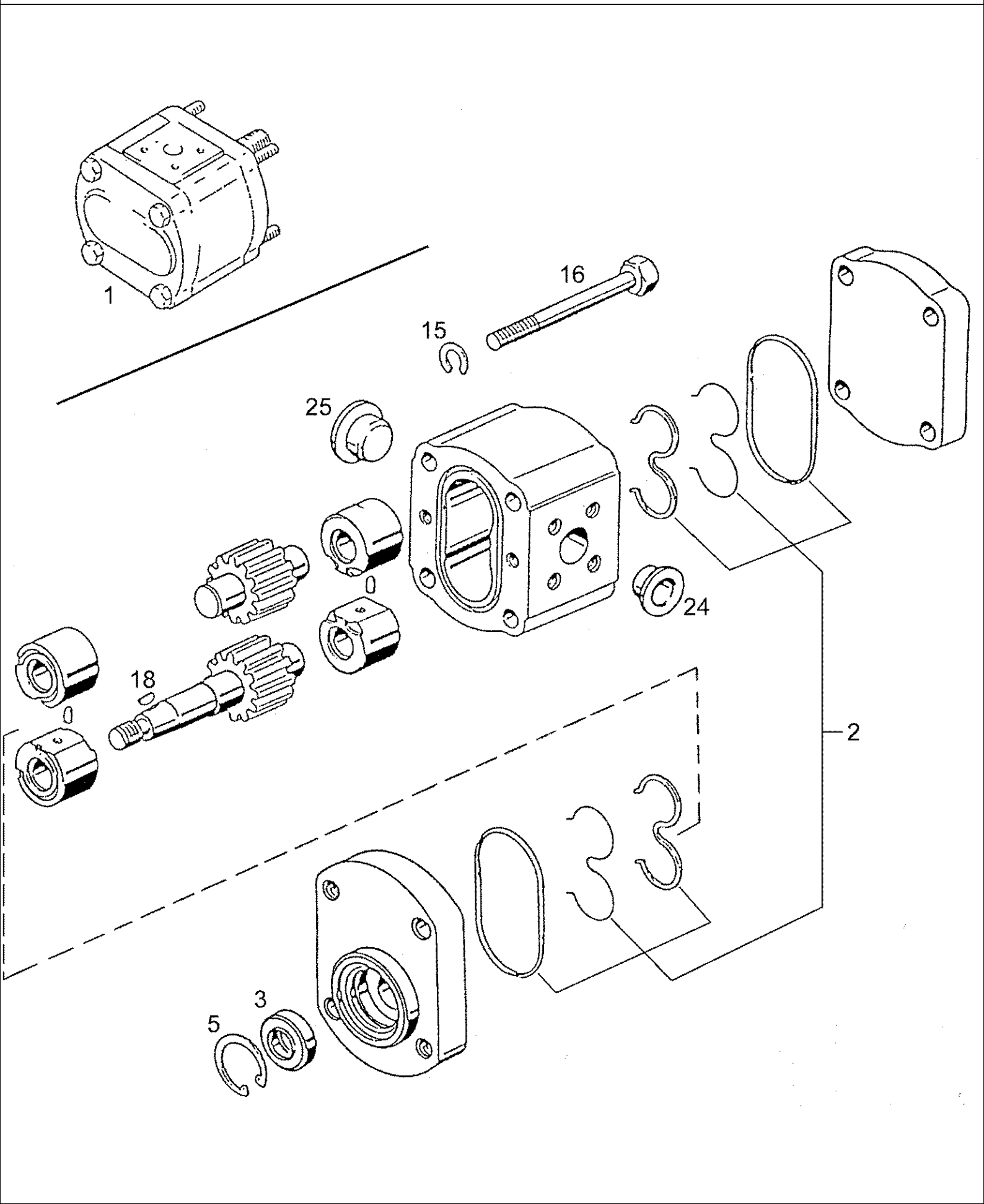




M968 STEYR TRACTOR / --->04939 (6/97-3/99) - Motor

02-23(01) TANDEM PUMP, LEFT - DISASSEMBLED

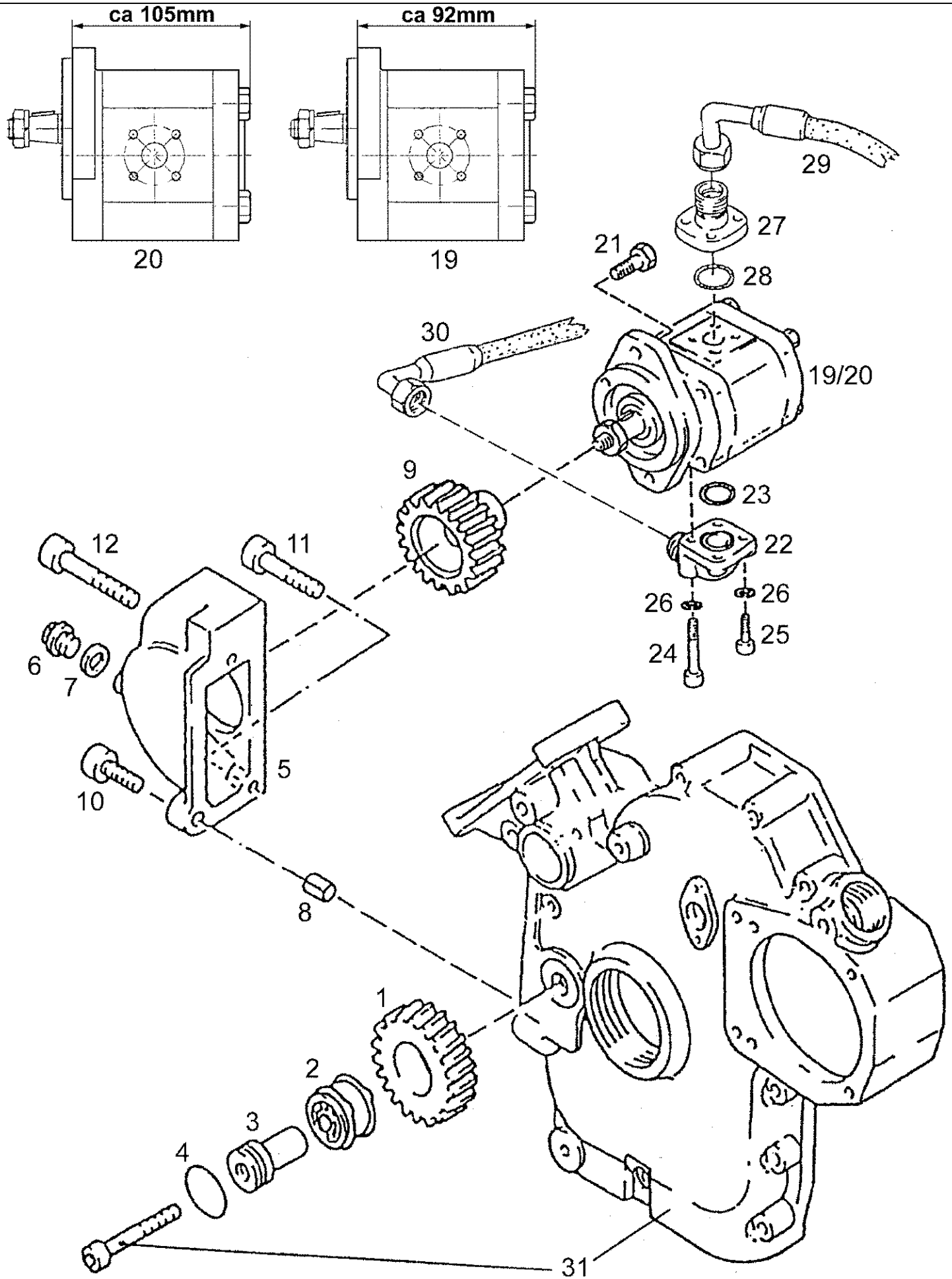
Ref	Onderdeelnummer	Kwt	Beschrijving
1	155700750017	1	PUMP,
1A	155700750713	1	PUMP,
2	1397750702	2	KIT, GASKET,
4	155700750710	1	PUMP,
5	155700750715	2	SCHROEF,
12	139900790713	1	SLUITRING,
18	155700750702	1	SPIE,
24	139900790707	3	FAIRING, LIGHT,
25	139900790708	1	PLUG,
28	139900790710	8	SCHROEF,
30	139900790718	1	AANDRIJFKLAUW,
31	1288730777	1	DICHTINGSRING,
33	1407130707	2	DICHTINGSSTUK,
35	155700750714	1	BORGPLAAT,



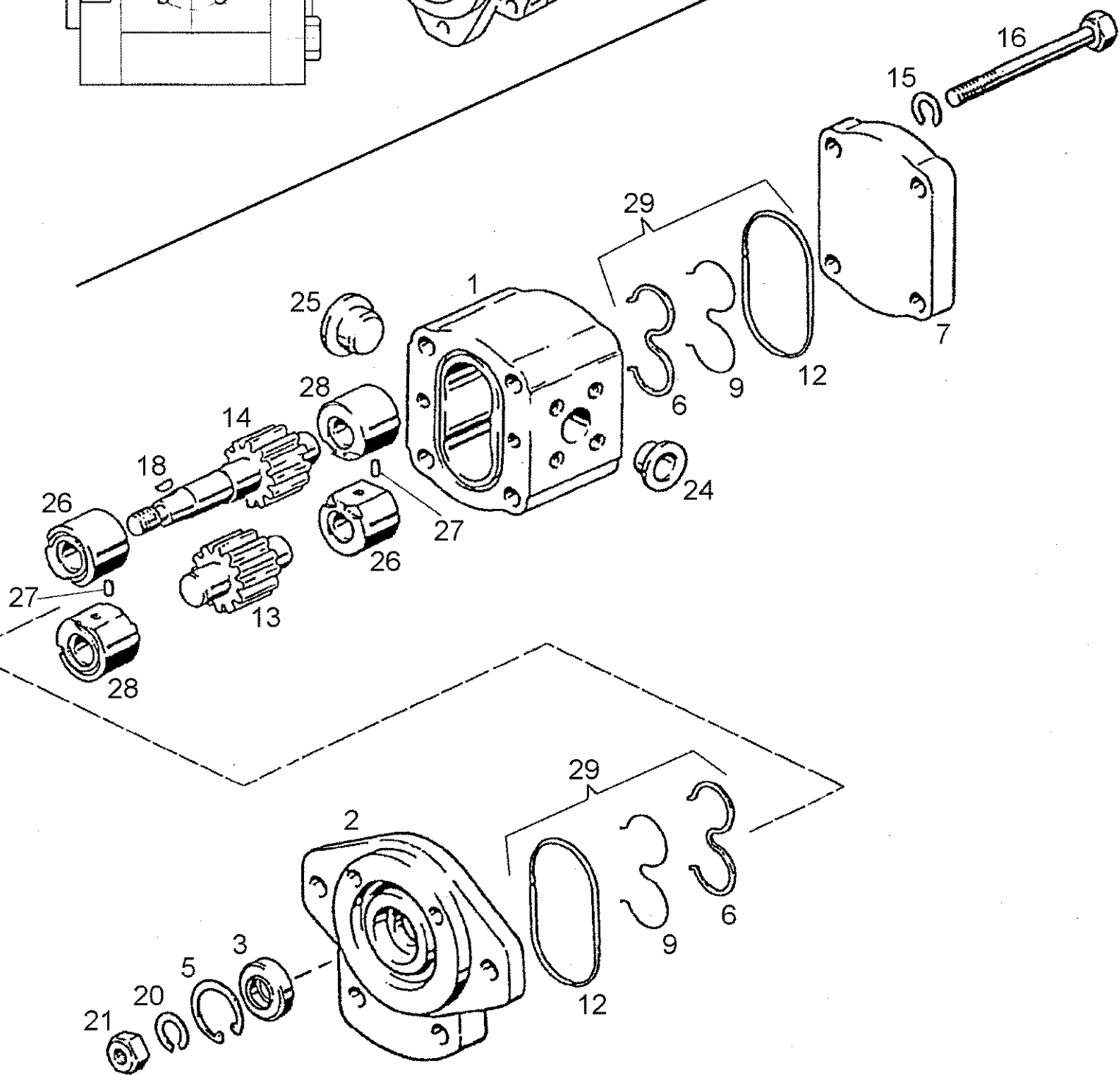
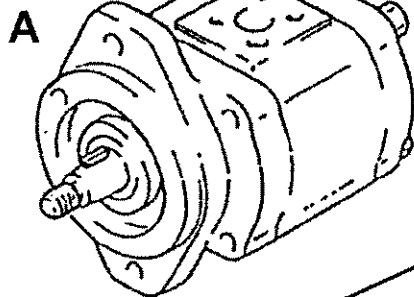
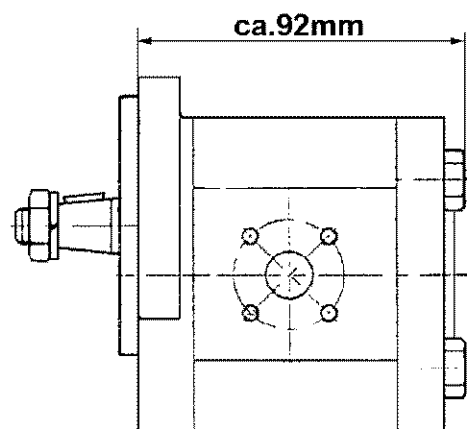
M968 STEYR TRACTOR / --->04939 (6/97-3/99) - Motor

02-24(01) HYDRAULIC PUMP, LEFT - DISASSEMBLED

Ref	Onderdeelnummer	Kwt	Beschrijving
1	155700750016	1	POMP,
2	1397750702	1	KIT, GASKET,
3	1407130723	1	DICHTINGSRING,
5	155700750714	1	BORGPLAAT,
15	190003931122	2	BORGRING, , A10
16	190003800182	2	, M10x90-10.9
18	155700750702	1	SPIE,
24	139900790707	1	FAIRING, LIGHT,
25	139900790708	1	PLUG,



Ref	Onderdeelnummer	Kwt	Beschrijving
	130100130058	1	PACKAGE, CONVERSION, , Besteht aus/Consists of/Compose de/Bestående af/È composto da 1 - 9
1	130100010004	1	PIGNON,
2	130100010006	1	LAGER, ROL,
3	130100010002	1	LAGERBUS,
4	130100130028	1	DICHTINGSRING,
5	130100130059	1	HUIS,
6	190003962038	1	PLUG, Hex Wash Hd, M22 x 1.5, , A-M22x1,5
7	190003098026	1	DICHTINGSRING, , A22x27-CU
8	130100130060	2	SPANSTIFT,
9	130100130037	1	PIGNON,
10	190003860184	1	SCHROEF, , M8x40-10.9
11	190003860183	1	SCHROEF, , M8x65-10.9
12	190003862572	1	SCHROEF, , M10x90-10.9
19	155700750006	1	POMP, , 8ccm; Siehe nächste Seite(n)/See next page(s)/Voir page(s) suivante(s)/Se næste side (r )/Vedere pagin(a/e) sequent(e/i)
20	155700750005	1	POMP, , 16ccm; Siehe nächste Seite(n)/See next page(s)/Voir page(s) suivante(s)/Se næste side (r )/Vedere pagin(a/e) sequent(e/i)
21	190003862524	2	SCHROEF, , M10x20-8.8
22	1-32-275-005	1	FLENS, , Einschließlich/Includes/Avec/Inklusive/Compreso 23
23	1209130084	1	RING, PACKING, , 18x2,5
24	190003862346	2	SCHROEF, , M6x45-8.8
25	86531615	2	SCHROEF, Hex Soc Hd, M6 x 20, 8.8, , M6x20-8.8
26	190003931082	4	SLUITRING, , A6
27	133700750003	1	FLENS, , Einschließlich/Includes/Avec/Inklusive/Compreso 28
28	1780340207	1	O-RING, , 24x29
29	REF	-	INSTRUCTION, , Siehe Kapitel 08/See Chapter 08/Voir Chapitre 08/Se kapitel 08/Vedere capitolo 08
30	REF	-	INSTRUCTION, , Siehe Kapitel 08/See Chapter 08/Voir Chapitre 08/Se kapitel 08/Vedere capitolo 08
31	REF	-	INSTRUCTION, , Siehe Seite(n) vorne/See Page(s) before/Voir Page(s) avant/Se side (r ) forrest/Vedere pagin(a/e) precedent(e/i)

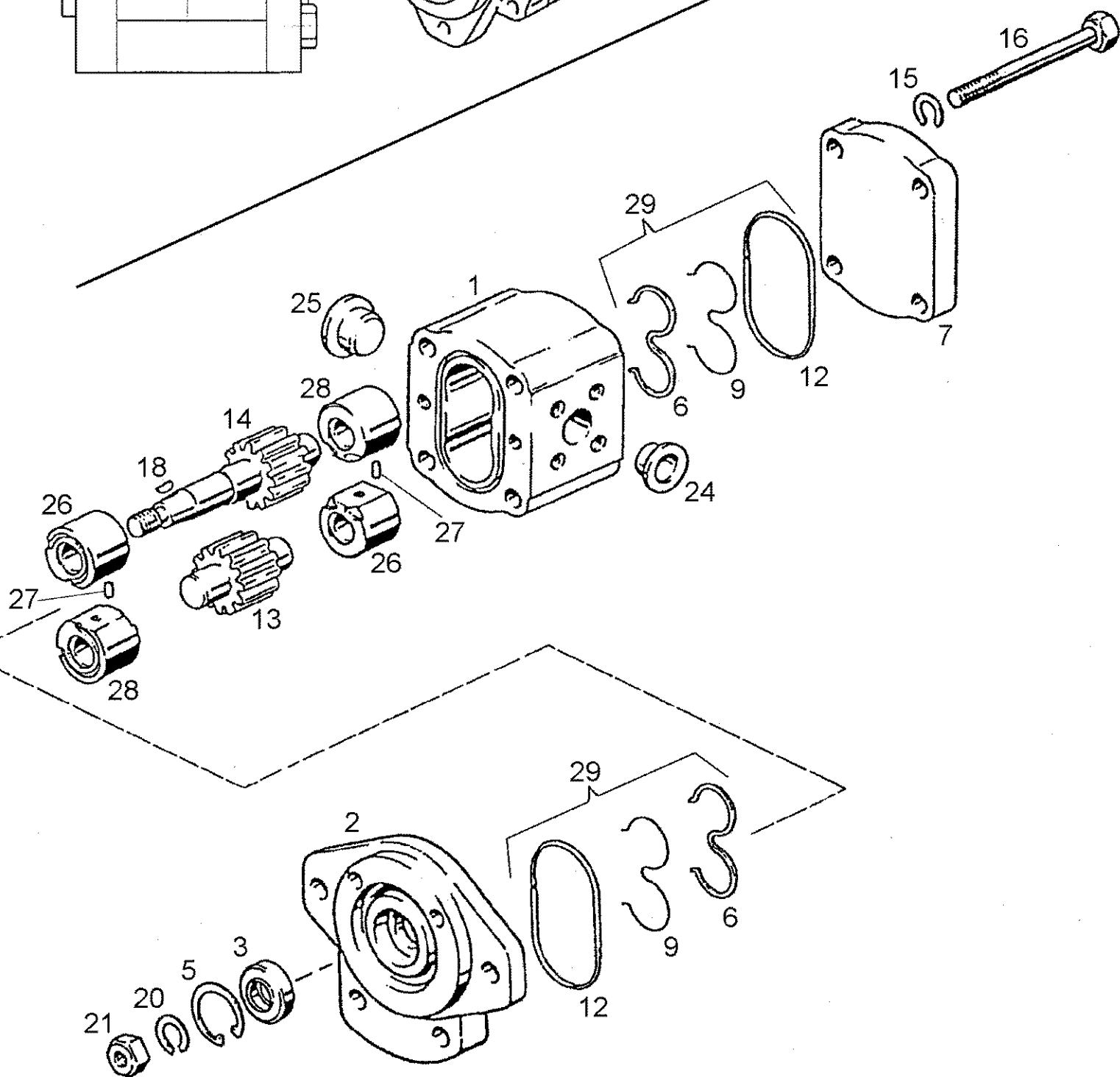
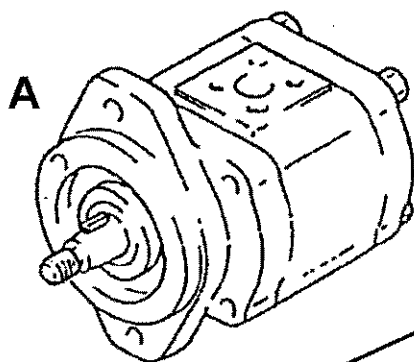
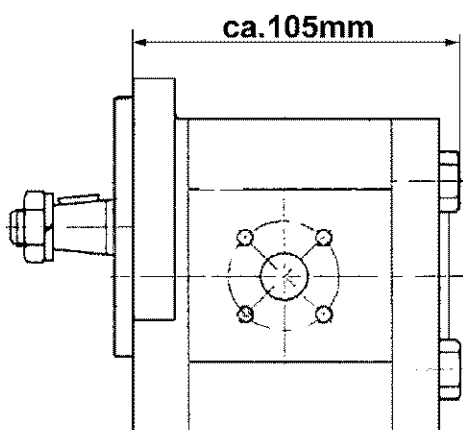


M968 STEYR TRACTOR / --->04939 (6/97-3/99) - Motor

02-26(01) HYDRAULIC PUMP, RIGHT (8CCM) - DISASSEMBLED

Ref	Onderdeelnummer	Kwt	Beschrijving
A	155700750006	1	POMP, , Besteht aus/Consists of/Compose de/Bestående af/È composto da 1 - 27
1	NSS	-	NIET ALLEEN VERKRIJGBAAR,
2	NSS	-	NIET ALLEEN VERKRIJGBAAR,
3	1407130707	1	DICHTINGSSTUK,
5	190003934150	1	RING, SNAP, , 30x1,2
6	NSS	-	NIET ALLEEN VERKRIJGBAAR,
7	NSS	-	NIET ALLEEN VERKRIJGBAAR,
9	NSS	-	NIET ALLEEN VERKRIJGBAAR,
12	NSS	-	NIET ALLEEN VERKRIJGBAAR,
13	NSS	-	NIET ALLEEN VERKRIJGBAAR,
14	NSS	-	NIET ALLEEN VERKRIJGBAAR,
15	141100090718	4	BORGRING,
16	139900790717	4	SCHROEF,
18	190003960801	1	VEER, , 3x5
20	155700750705	1	BORGRING,
21	190003871526	1	MOER, , M12x1,5
24	139900790708	1	PLUG,
25	155700750707	1	FAIRING, LIGHT,
26	NSS	-	NIET ALLEEN VERKRIJGBAAR,
27	NSS	-	NIET ALLEEN VERKRIJGBAAR,
28	NSS	-	NIET ALLEEN VERKRIJGBAAR,
29	1397750702	1	KIT, GASKET, , Besteht aus/Consists of/Compose de/Bestående af/È composto da 6, 9, 12

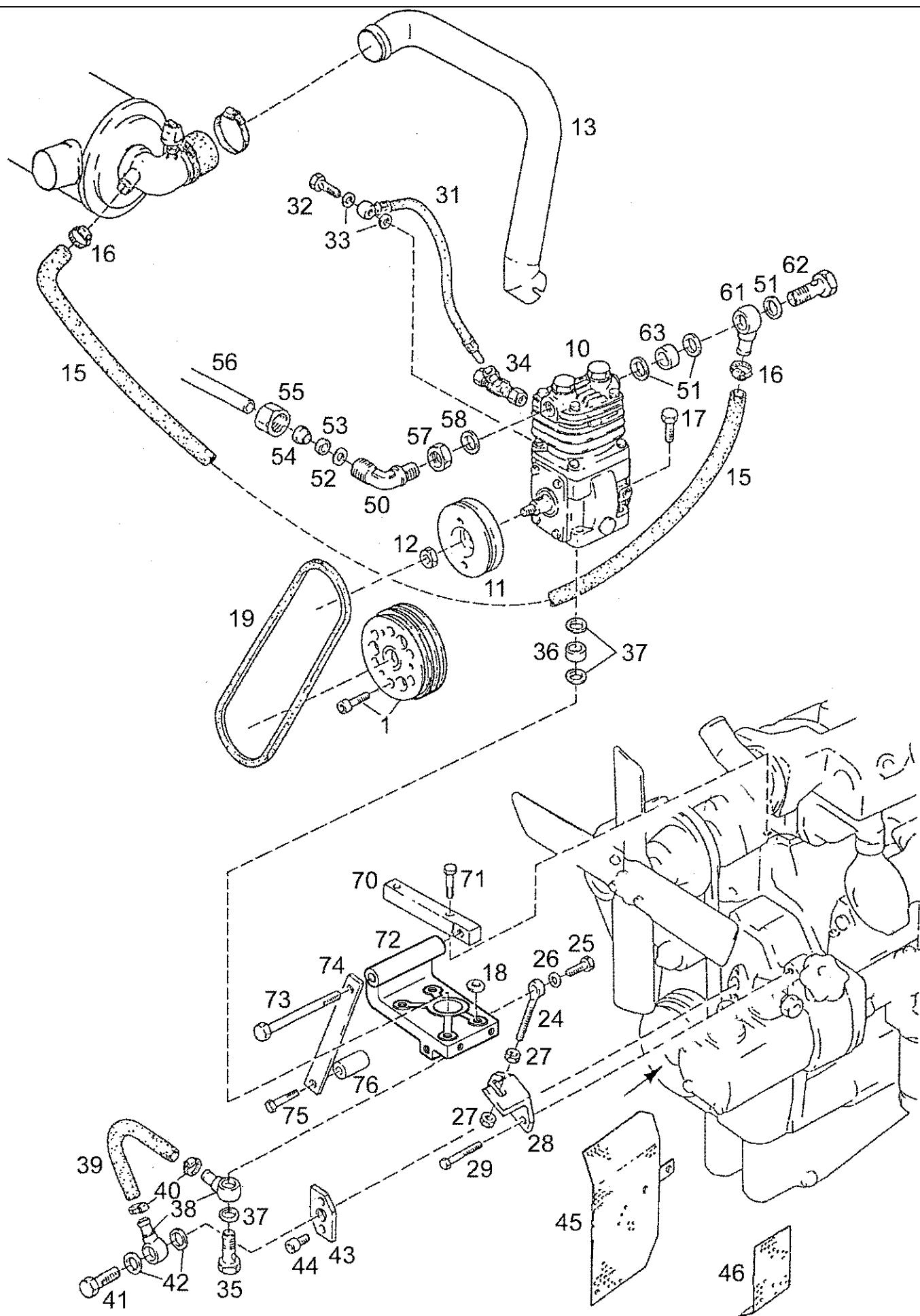




M968 STEYR TRACTOR / --->04939 (6/97-3/99) - Motor

02-27(01) HYDRAULIC PUMP, RIGHT (16CCM) - DISASSEMBLED

Ref	Onderdeelnummer	Kwt	Beschrijving
A	155700750005	1	POMP, , Besteht aus/Consists of/Compose de/Bestående af/È composto da 1 - 28
1	NSS	-	NIET ALLEEN VERKRIJGBAAR,
2	NSS	-	NIET ALLEEN VERKRIJGBAAR,
3	155700750704	1	DICHTINGSRING,
5	190003934150	1	RING, SNAP, , 30x1,2
6	NSS	-	NIET ALLEEN VERKRIJGBAAR,
7	NSS	-	NIET ALLEEN VERKRIJGBAAR,
9	NSS	-	NIET ALLEEN VERKRIJGBAAR,
12	NSS	-	NIET ALLEEN VERKRIJGBAAR,
13	NSS	-	NIET ALLEEN VERKRIJGBAAR,
14	NSS	-	NIET ALLEEN VERKRIJGBAAR,
15	161460080743	4	BORGRING,
16	190003802578	4	SCHROEF, , M10x95-10.9
18	190003960801	1	VEER, , 3x5
20	155700750705	1	BORGRING,
21	190003871526	1	MOER, , M12x1,5
24	155700750706	1	FAIRING, LIGHT,
25	155700750707	1	FAIRING, LIGHT,
26	NSS	-	NIET ALLEEN VERKRIJGBAAR,
27	NSS	-	NIET ALLEEN VERKRIJGBAAR,
28	NSS	-	NIET ALLEEN VERKRIJGBAAR,
29	1397750702	1	KIT, GASKET, , Besteht aus/Consists of/Compose de/Bestående af/È composto da 6, 9, 12

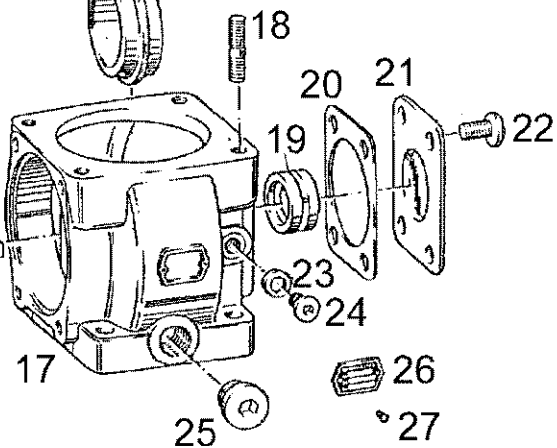
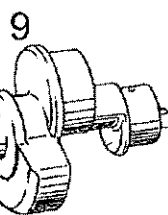
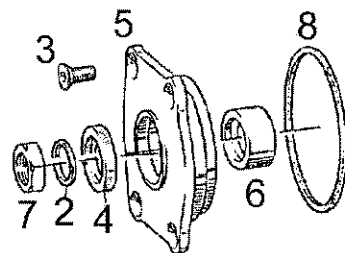
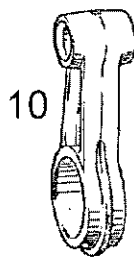
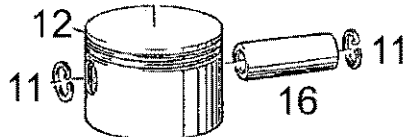
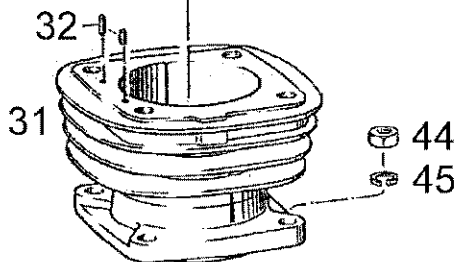
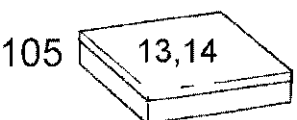
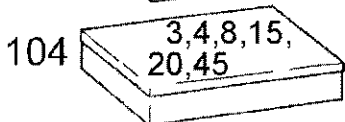
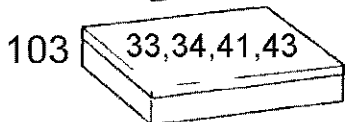
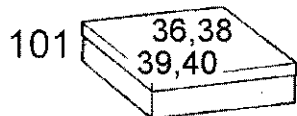
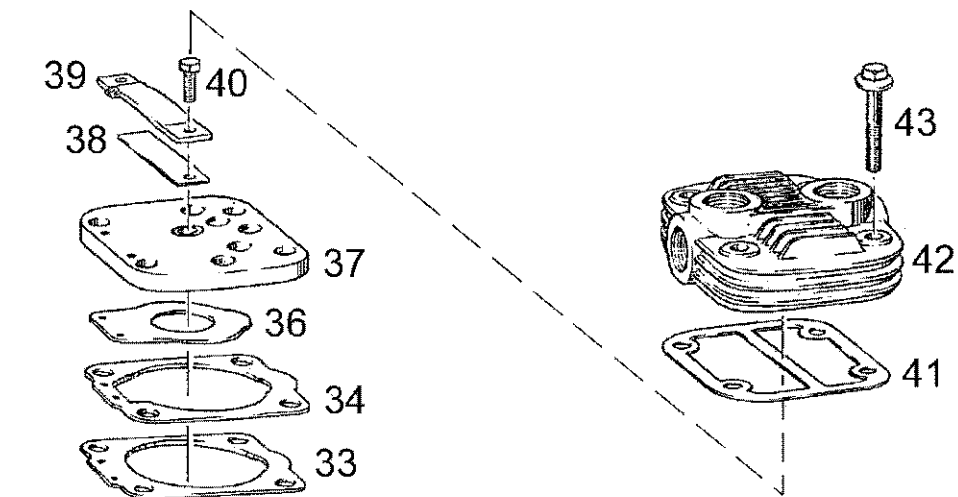
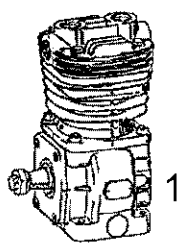


## 02-28(01) COMPRESSOR AND CONNECTIONS / COMPRESSOR MOUNTING

Ref	Onderdeelnummer	Kwt	Beschrijving
1	REF	-	INSTRUCTION, , Siehe Kurbelwelle/See crankshaft/Voir vilebrequin/Se krumtapaksel/Vedere albero motore
10	130100130045	1	COMPRESSOR,
11	130100130033	1	RIEMSCHIJF,
12	906009R1	1	MOER, Thin, M18 x 1.5, CI 04, , BM18x1,5
13	130180190005	1	BUISJE,
15	130100130070	1	SLANG, GROOT, , 22x29; L = 1080mm
16	190003989301	2	CLAMP, , 25/35
17	190003802442	4	SCHROEF, , M8x40-8.8
18	190003930261	4	SLUITRING, , A8,4
19	130100130041	1	V-BELT, , 13x1250
24	130100130054	1	SCHROEF,
25	190003802632	1	SCHROEF, , M12x35-8.8
26	190003930282	1	SCHIJF, , A13
27	190003880090	2	MOER, , M12-8
28	130100130053	1	SUPPORT,
29	190003800465	2	SCHROEF, , M8x80-8.8
31	130100130040	1	LEIDING,
32	190003962607	1	VERBINDINGSBOUT, , 6-3
33	190003098010	2	DICHTINGSRING, , A10x13,5-CU
34	190003551259	1	FITTING,
35	190003962644	1	VIJZELSCHROEF, , 18-S
36	130100130043	1	AFSTANDSRING,
37	190003098026	3	DICHTINGSRING, , A22x27-CU
38	130100130039	2	VERBINDINGSBOUT,
39	1614150045	1	FLEXIBELE BUIS, , 13x20; L = 260mm
40	190003989336	2	BUISKLEM, , 16/22
41	190003962643	1	VIJZELSCHROEF, , 18-3
42	190003098026	2	DICHTINGSRING, , A22x27-CU
43	130100130044	1	COVER,
44	190003862126	2	SCHROEF, , M8x16-8.8
45	1-33-136-120	1	BESCHERMPLAAT,
46	1-33-136-125	1	SHEET ASSY.,
50	199000360410	1	KOPPELING,
51	190003098031	3	DICHTINGSRING, , A26x31-CU
52	190003559539	1	SEAL ASSY., , D12-ZINK
53	190003559538	1	RING, THRUST, , AL15
54	190003559562	1	TONNETJE, , L15
55	190003559520	1	NUT, TUBE, , L15
56	1-33-136-087	1	LEIDING,
57	190003559778	1	MOER, , M26x1,5-PH

## 02-28(01) COMPRESSOR AND CONNECTIONS / COMPRESSOR MOUNTING

Ref	Onderdeelnummer	Kwt	Beschrijving
58	190003098031	1	DICHTINGSRING, , A26x31-CU
61	130100130056	1	VERBINDINGSBOUT,
62	190003962651	1	HOLLE SCHROEF, , 22-3
70	140100130053	1	STEUNBEUGEL,
71	190003802642	2	SCHROEF, , M12x45-8.8
72	140100130150	1	SUPPORT,
73	190003800699	1	SCHROEF, , M12x160-8.8
74	140100130054	1	BOW,
75	190003800657	1	SCHROEF, , M12x75-8.8
76	140100130055	1	LAGER,KOPPELING DRUKPLAA,



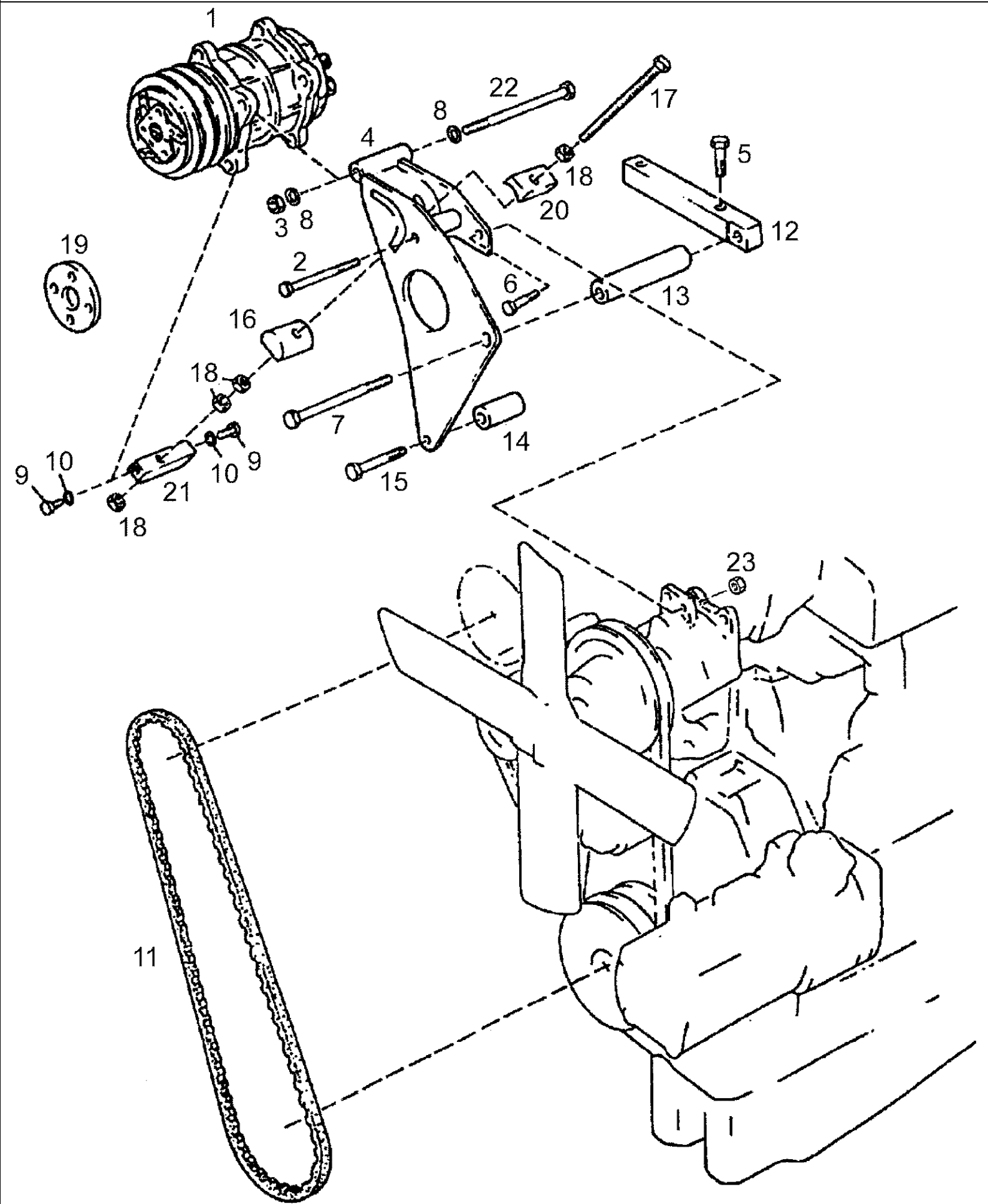
## 02-29(01) COMPRESSOR, DISASSEMBLED

Ref	Onderdeelnummer	Kwt	Beschrijving
1	130100130045	1	COMPRESSOR, , Besteht aus/Consists of/Compose de/Bestående af/È composto da 2 - 45
2	190003931201	1	BORGRING, , A18
3	NSS	-	NIET ALLEEN VERKRIJGBAAR,
4	NSS	-	NIET ALLEEN VERKRIJGBAAR,
5	NSS	-	NIET ALLEEN VERKRIJGBAAR,
6	130100130709	1	LAGERBUS,
7	906009R1	1	MOER, Thin, M18 x 1.5, CI 04, , BM18x1,5
8	NSS	-	NIET ALLEEN VERKRIJGBAAR,
9	161200130749	1	KRUKAS,
10	130100130710	1	VERBINDINGSSTANG,
11	130100130711	2	RING,
12	130100130712	1	ZUIGER, , Ø 74,95 mm
13	NSS	-	NIET ALLEEN VERKRIJGBAAR,
14	NSS	-	NIET ALLEEN VERKRIJGBAAR,
15	NSS	-	NIET ALLEEN VERKRIJGBAAR,
16	161200130752	1	PIN, LARGE,
17	NSS	-	NIET ALLEEN VERKRIJGBAAR,
18	NSS	-	NIET ALLEEN VERKRIJGBAAR,
19	NSS	-	NIET ALLEEN VERKRIJGBAAR,
20	NSS	-	NIET ALLEEN VERKRIJGBAAR,
21	NSS	-	NIET ALLEEN VERKRIJGBAAR,
22	190003802426	4	SCHROEF,
23	190003098010	1	DICTINGSRING, , A10x13,5-CU
24	NSS	-	NIET ALLEEN VERKRIJGBAAR,
25	NSS	-	NIET ALLEEN VERKRIJGBAAR,
26	NSS	-	NIET ALLEEN VERKRIJGBAAR,
27	NSS	-	NIET ALLEEN VERKRIJGBAAR,
31	161200130758	1	CYLINDER,
32	NSS	-	NIET ALLEEN VERKRIJGBAAR,
33	NSS	-	NIET ALLEEN VERKRIJGBAAR,
34	NSS	-	NIET ALLEEN VERKRIJGBAAR,
36	NSS	-	NIET ALLEEN VERKRIJGBAAR,
37	NSS	-	NIET ALLEEN VERKRIJGBAAR,
38	NSS	-	NIET ALLEEN VERKRIJGBAAR,
39	NSS	-	NIET ALLEEN VERKRIJGBAAR,
40	NSS	-	NIET ALLEEN VERKRIJGBAAR,
41	NSS	-	NIET ALLEEN VERKRIJGBAAR,
42	161200130740	1	KRIK,
43	NSS	-	NIET ALLEEN VERKRIJGBAAR,
44	43362	4	MOER, M8, CI 10,
45	190003931102	4	BORGRING, , A8

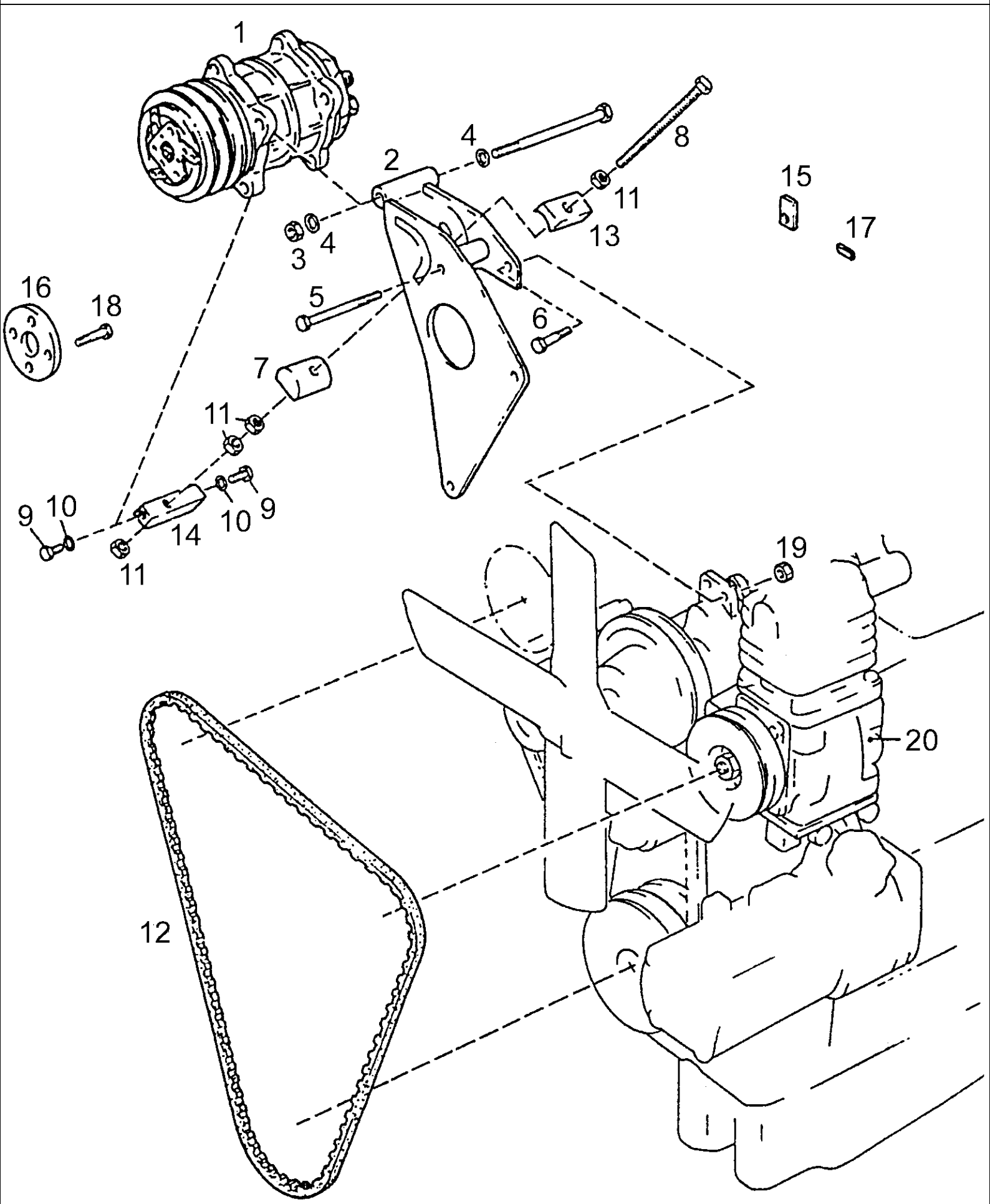
## 02-29(01) COMPRESSOR, DISASSEMBLED

Ref	Onderdeelnummer	Kwt	Beschrijving
101	130100130705	1	RIB, , Besteht aus/Consists of/Compose de/Bestående af/È composto da 36, 38 - 40
103	130100130706	1	SET, , Besteht aus/Consists of/Compose de/Bestående af/È composto da 33, 34, 41, 43
104	130100130708	1	DICHTINGSSTUK, , Besteht aus/Consists of/Compose de/Bestående af/È composto da 3, 4, 8, 15, 20, 45
105	130100130707	1	ZUIGERRING, , Besteht aus/Consists of/Compose de/Bestående af/È composto da 13, 14

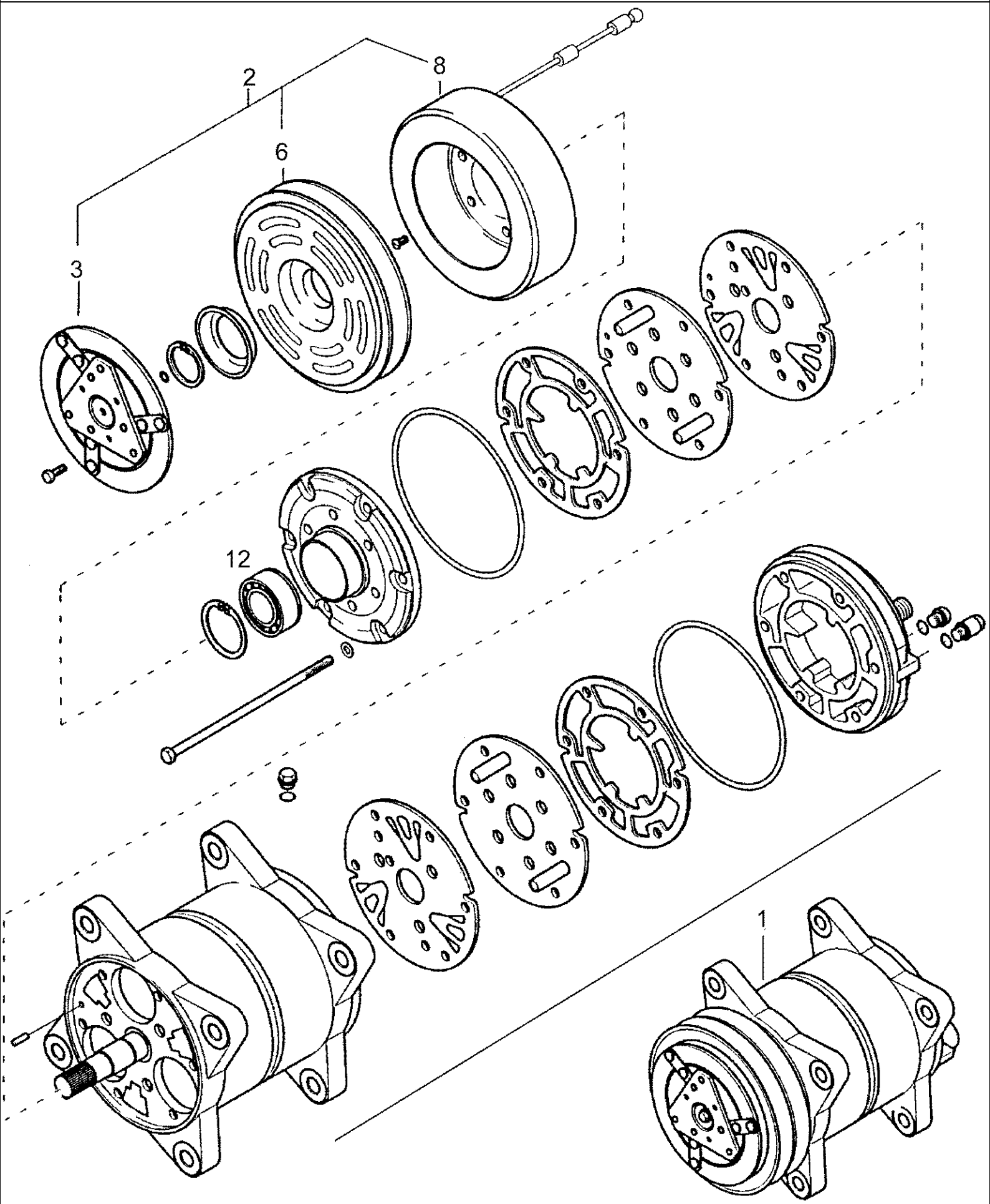




Ref	Onderdeelnummer	Kwt	Beschrijving
1	1-34-684-430	1	COMPRESSOR, , Siehe nächste Seite(n)/See next page(s)/Voir page(s) suivante(s)/Se næste side (r) )/Vedere pagin(a/e) sequent(e/i)
2	190003800480	1	SCHROEF, , M8x95-8.8
3	100016	1	MOER, M10, CI 8,
4	140100130120	2	GUIDE, LEVERS,
5	190003802642	2	SCHROEF, , M12x45-8.8
6	15213321	1	BOUT, Hex, M8 x 35, 8.8,
7	190003800699	1	SCHROEF, , M12x160-8.8
8	190003930271	2	SCHIJF, , A10,5-140HV-A3C
9	43127	2	BOUT, Hex, M8 x 25, 8.8,
10	190003930261	2	SLUITRING, , A8,4
11	140100130132	1	V-BELT, , 13x1375
12	140100130053	1	STEUNBEUGEL,
13	140100130130	1	AFSTANDSSTUK VOOR BUIZEN,
14	140100130055	1	LAGER,KOPPELING DRUKPLAA,
15	190003800657	1	SCHROEF, , M12x75-8.8
16	140100130125	1	CLAMP,
17	190003801047	1	SCHROEF, , M12x180-8.8
18	337475	4	MOER, M12, CI 10,
19	130100060016	1	BLOK,
20	140100130126	1	CLAMP,
21	140100130128	1	CLAMP,
22	190003800588	1	SCHROEF, , M10x125-8.8
23	190003888451	2	MOER, , VM8-8



Ref	Onderdeelnummer	Kwt	Beschrijving
1	1-34-684-430	1	COMPRESSOR, , Siehe nächste Seite(n)/See next page(s)/Voir page(s) suivante(s)/Se næste side (r )/Vedere pagin(a/e) sequent(e/i)
2	140100130120	1	GUIDE, LEVERS,
3	100016	1	MOER, M10, CI 8,
4	190003930271	2	SCHIJF, , A10,5-140HV-A3C
5	190003800480	1	SCHROEF, , M8x95-8.8
6	15213321	1	BOUW, Hex, M8 x 35, 8.8,
7	140100130125	1	CLAMP,
8	190003801047	1	SCHROEF, , M12x180-8.8
9	43127	2	BOUW, Hex, M8 x 25, 8.8,
10	190003930261	2	SLUITRING, , A8,4
11	337475	4	MOER, M12, CI 10,
12	140100130131	1	V-BELT, , 13x1675
13	140100130126	1	CLAMP,
14	140100130128	1	CLAMP,
15	140100130133	1	PLAAT, GROOT,
16	130100060016	1	BLOK,
17	190003171689	X	PROFIEL, , K-8343; L = 20mm
18	15213321	4	BOUW, Hex, M8 x 35, 8.8,
19	190003888451	1	MOER, , VM8-8
20	REF	-	INSTRUCTION, , Siehe Seite(n) vorne/See Page(s) before/Voir Page(s) avant/Se side (r ) forrest/Vedere pagin(a/e) precedent(e/i)

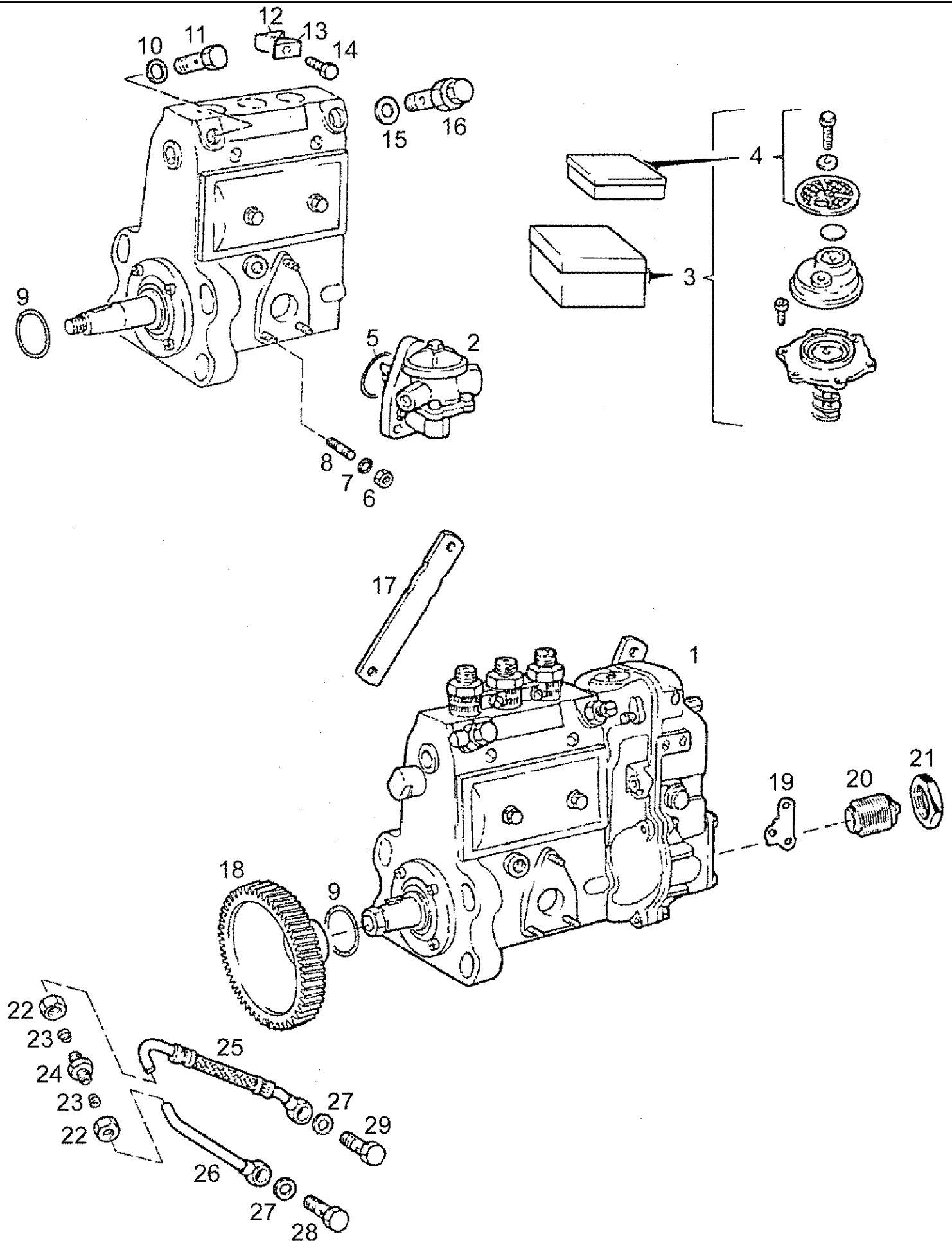


M968 STEYR TRACTOR / --->04939 (6/97-3/99) - Motor

02-32(01) AIR CONDITIONING COMPRESSOR, DISASSEMBLED

Ref	Onderdeelnummer	Kwt	Beschrijving
1	1-34-684-430	1	COMPRESSOR, , MCC
2	1-34-784-136	1	KOPPELING, , Besteht aus/Consists of/Compose de/Bestående af/È composto da 3, 6, 8
3	NSS	-	NIET ALLEEN VERKRIJGBAAR,
6	NSS	-	NIET ALLEEN VERKRIJGBAAR,
8	1-34-784-137	1	COIL ASSY.,
12	1-34-784-138	1	RING, PACKING,

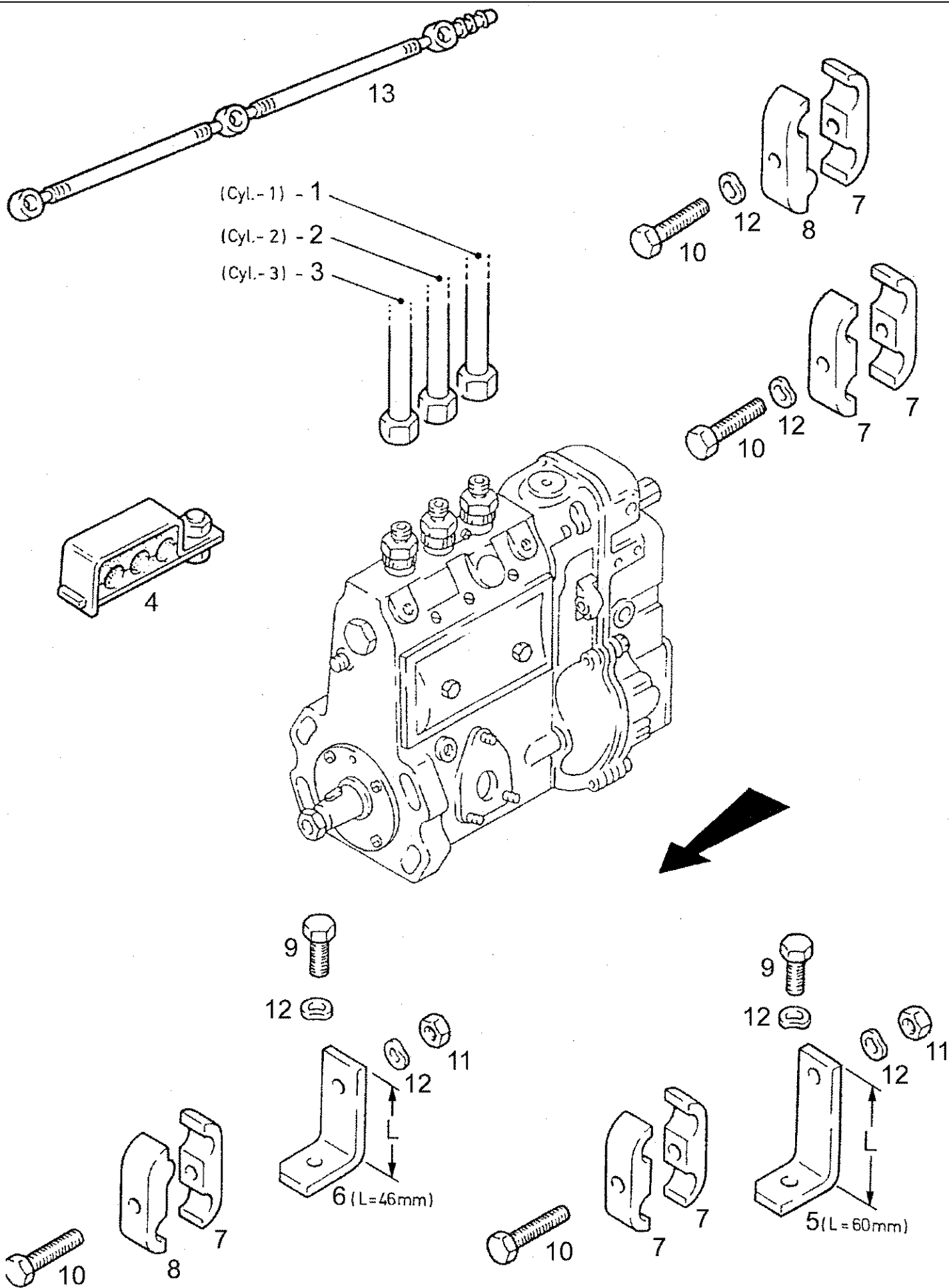






## 03-01(01) FUEL INJECTION PUMP / PUMP, FEED

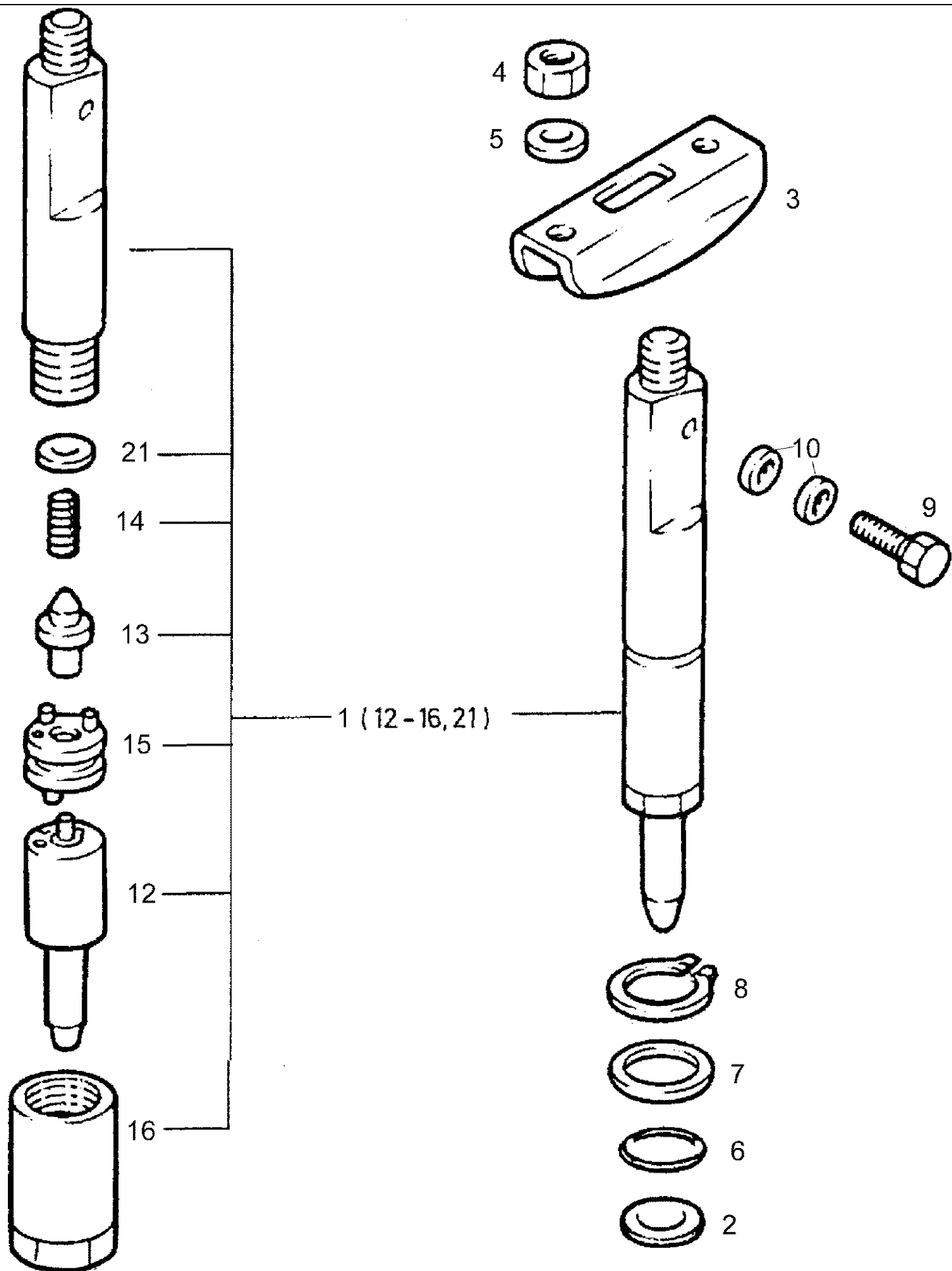
Ref	Onderdeelnummer	Kwt	Beschrijving
1	130189080701	1	INJECTIEPOMP,
2	130100080733	1	PUMP, FEED, , Einschließlich/Includes/Avec/Inklusive/Compreso 3, 4
3	130100080735	1	PACKAGE, REPAIR, , Einschließlich/Includes/Avec/Inklusive/Compreso 4
4	130100080734	1	PACKAGE, REPAIR,
5	130100080703	1	DICHTINGSRING, , 38x3
6	15896221	3	MOER, M6, CI 10, , M6-8
7	190003932008	3	WASHER, SPRING, , B6
8	130100080711	3	TAPEIND,
9	130100080789	1	O-RING,
10	190003098015	1	DICHTINGSRING, , A14x20-CU
11	130100080701	1	VIJZELSCHROEF,
12	130100080780	2	ANKER,
13	130100080716	2	ANKER,
14	190003822359	2	SCHROEF, , M6x30-4.8
15	190003098015	2	DICHTINGSRING, , A14x20-CU
16	130100080788	1	VIJZELSCHROEF, , Überlaufventil/Overflow valve/Soupape de trop-plein/Overløbsventil/Valvola di troppo pieno
17	130100080715	1	HEFBOOM,
18	130100080766	1	TANDWIEL BIJ WIEL,
19	130100080743	1	HEFBOOM,
20	130182080703	1	VEER,
21	130100080722	1	MOER,
22	190003559516	2	NUT, TUBE, , AL6
23	190003559561	2	TONNETJE, , L6
24	190003559462	1	FITTING, , L6
25	130100080775	1	LEIDING,
26	130100080778	1	LEIDING,
27	190003098010	4	DICHTINGSRING, , A10x13,5-CU
28	130100080765	1	VIJZELSCHROEF,
29	130100080702	1	VIJZELSCHROEF,



## 03-02(01) INJECTION PIPES, BACKLEAGE LINE

Ref	Onderdeelnummer	Kwt	Beschrijving
1	130100080781	1	INSPUITLEIDING,
2	130100080782	1	INSPUITLEIDING,
3	130100080783	1	INSPUITLEIDING,
4	130100080704	1	LEIDINGKLEM,
5	130100080770	1	HOEKSTUK,
6	130100080769	1	HOEKSTUK,
7	130100080771	6	CLAMP,
8	130100080772	2	CLAMP,
9	86977726	2	BOUT, Hex, M6 x 12, 8.8,
10	190003802336	4	SCHROEF, , M6x25-8.8
11	15896221	2	MOER, M6, CI 10, , M6-8
12	190003932008	6	WASHER, SPRING, , B6
13	130100080787	1	LEIDING,

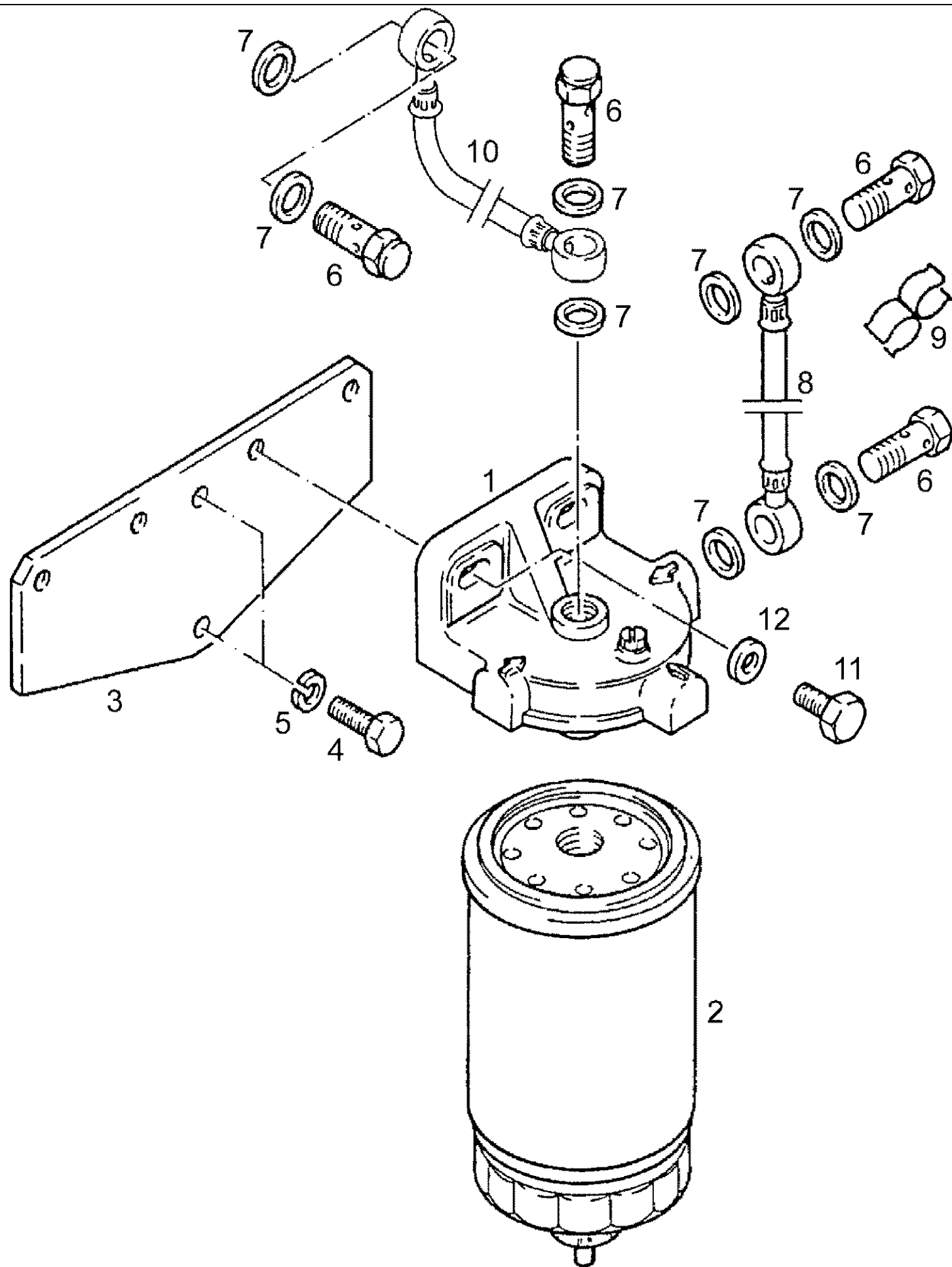
03-03(01) NOZZLE HOLDER, DISASSEMBLED



## 03-03(01) NOZZLE HOLDER, DISASSEMBLED

Ref	Onderdeelnummer	Kwt	Beschrijving
1	130182080702	3	HOLDER NOZZLE, , Einschließlich/Includes/Avec/Inklusive/Compreso 12 - 16, 21
2	130100080705	3	DICHTINGSRING,
3	130100080767	3	BAIL,
4	43362	6	MOER, M8, CI 10,
5	130100080794	6	SCHIJF,
6	130100080736	3	DICHTINGSRING,
7	130100080764	3	SCHIJF,
8	190003933103	3	RING, SNAP, , 21x1,2
9	130100080738	3	VIJZELSCHROEF,
10	190003098006	6	DICHTINGSRING, , A6X10-CU
12	130182080701	3	SPROEIER,
13	130100080739	3	PIN, LARGE,
14	130100080742	3	SPRING, COMPRESSION,
15	130100080745	3	SLUITRING,
16	130100080744	3	NUT, TUBE,
21	130100080723	X	DIKTEPLAAT, , 1,00mm
21	130100080724	X	DIKTEPLAAT, , 1,06mm
21	130100080725	X	DIKTEPLAAT, , 1,10mm
21	130100080726	X	DIKTEPLAAT, , 1,16mm
21	130100080727	X	DIKTEPLAAT, , 1,20mm
21	130100080746	X	DIKTEPLAAT, , 1,26mm
21	130100080747	X	DIKTEPLAAT, , 1,30mm
21	130100080748	X	DIKTEPLAAT, , 1,36mm
21	130100080749	X	DIKTEPLAAT, , 1,40mm
21	130100080750	X	DIKTEPLAAT, , 1,46mm
21	130100080751	X	DIKTEPLAAT, , 1,50mm
21	130100080752	X	DIKTEPLAAT, , 1,56mm
21	130100080753	X	DIKTEPLAAT, , 1,60mm
21	130100080754	X	DIKTEPLAAT, , 1,66mm
21	130100080755	X	DIKTEPLAAT, , 1,70mm
21	130100080756	X	DIKTEPLAAT, , 1,76mm
21	130100080757	X	DIKTEPLAAT, , 1,80mm
21	130100080758	X	DIKTEPLAAT, , 1,86mm
21	130100080759	X	DIKTEPLAAT, , 1,90mm
21	130100080760	X	DIKTEPLAAT, , 1,96mm

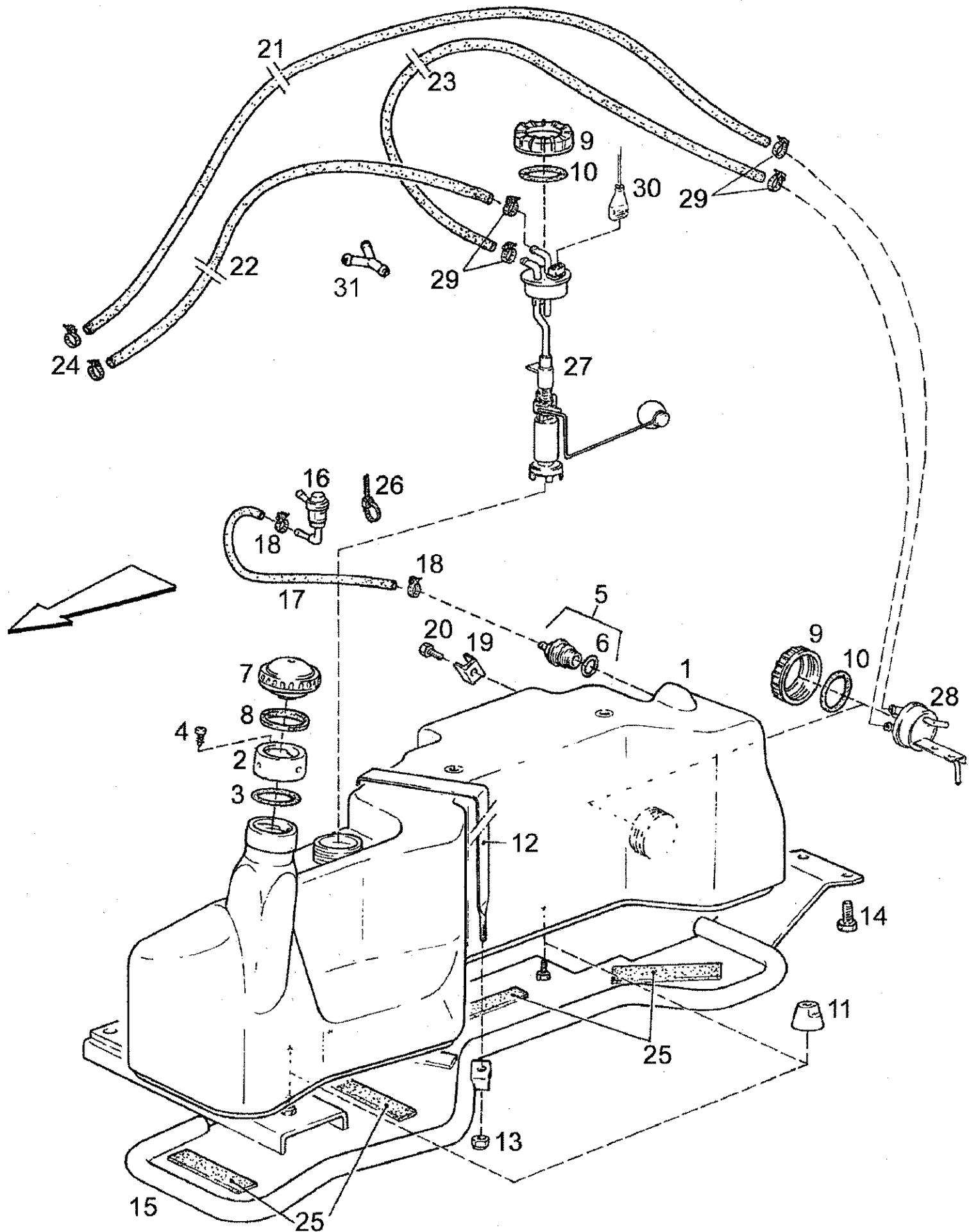
03-04(01) FUEL FILTER AND CONNECTIONS



## 03-04(01) FUEL FILTER AND CONNECTIONS

Ref	Onderdeelnummer	Kwt	Beschrijving
1	130100080784	1	HEAD,
2	161500080043	1	BRANDSTOFFILTER,
3	130100080786	1	STEUNBEUGEL,
4	190003802443	2	SCHROEF, , M8x20-10.9
5	130100010705	2	RING,
6	130100080701	4	VIJZELSCHROEF,
7	190003098015	8	DICHTINGSRING, , A14x20-CU
8	130100080773	2	LEIDING,
9	130100080777	2	CLAMP,
10	130100080774	1	LEIDING,
11	43138	2	BOUT, Hex, M10 x 20, 8.8, Full Thd,
12	190003930271	2	SCHIJF, , A10,5-140HV-A3C

03-05(01) FUEL TANK AND LINES





## 03-05(01) FUEL TANK AND LINES

Ref	Onderdeelnummer	Kwt	Beschrijving
1	1-33-155-250	1	TANK, BRANDSTOF, , 83 L; Einschließlich/Includes/Avec/Inklusive/Compreso 2 - 6
2	1-33-755-003	1	NECK FILLER,
3	1-33-755-002	1	O-RING, , 68x80
4	1-33-755-001	4	SCHROEF, , B 2,9x9,5
5	1-33-155-201	1	POORT, , Einschließlich/Includes/Avec/Inklusive/Compreso 6
6	133700550713	1	O-RING, , 24x35
7	1192550151	1	SPOEL, , Einschließlich/Includes/Avec/Inklusive/Compreso 8
8	1188550702	1	DICHTING, RUBBER,
9	1-33-155-017	2	NUT, TUBE,
10	1680340060	2	O-RING, , Ø 55x63
11	133700550197	2	KNOP,
12	1-33-155-205	1	RIEM,
13	190003888452	2	MOER, , VM10-8
14	280854	6	BOUW, Hex, M14 x 35, 8.8, Full Thd, , M14x35-8.8
15	1-33-155-209	1	RAAM,
16	1-33-155-270	1	VEILIGHEIDSKLEP,
17	1-33-155-261	1	SLANG, GROOT, , 6x12; L = 800mm
18	1-33-155-027	2	KLEM, , 10/13
19	1-33-155-004	4	STEUNBEUGEL,
20	190003802401	4	SCHROEF, , M8x10-8.8
21	133700550086	1	FLEXIBELE BUIS, , 9x15; L = 2000mm
22	1-33-155-007	1	FLEXIBELE BUIS, , 9x15; L = 1480mm
23	1-33-155-006	1	SLANG, GROOT, , 9x15; L = 1110mm
24	1-33-155-026	2	KLEM, , 12/15
25	133700550202	4	RUBBEREN BAND,
26	190003171697	1	BEVESTIGINGSKLEM, , A5x180 / K02
27	1-33-155-260	1	GAUGE, FUEL,
28	1-33-155-160	1	VALVE,
29	1-33-155-035	4	KLEM, , 11/14
30	REF	-	INSTRUCTION, , Siehe Kapitel 04/See Chapter 04/Voir Chapitre 04/Se kapitel 04/Vedere capitolo 04
31	1-33-155-003	1	KOPPELING, , Y-Ø8mm

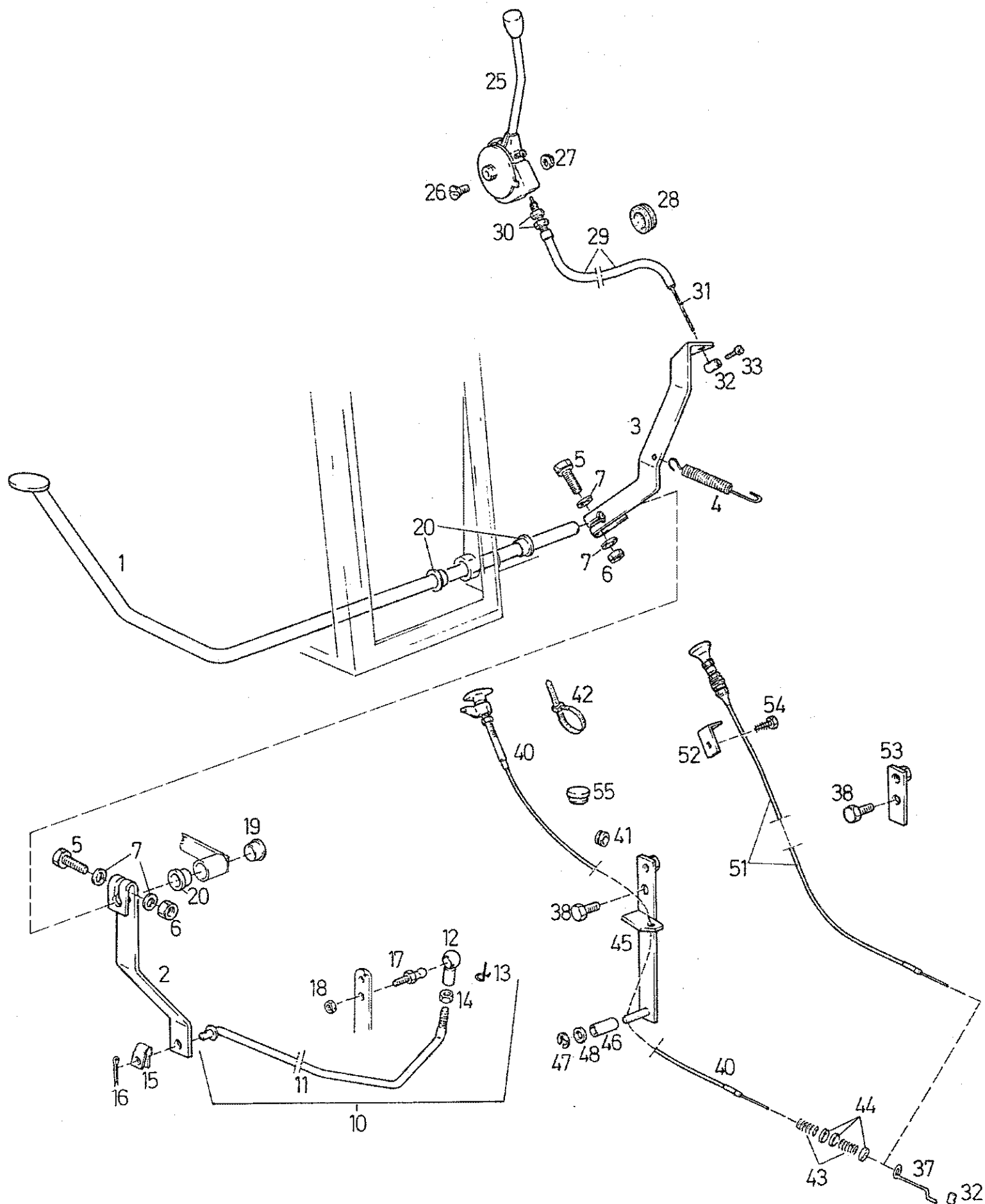


## 03-06(01) FUEL TANK AND LINES MID-MOUNTED MOWER

Ref	Onderdeelnummer	Kwt	Beschrijving
1	1-33-155-400	1	TANK, BRANDSTOF, , 73 L; Einschließlich/Includes/Avec/Inklusive/Compreso 2 - 6
2	1-33-755-003	1	NECK FILLER,
3	1-33-755-002	1	O-RING, , 68x80
4	1-33-755-001	4	SCHROEF, , B 2,9x9,5
5	1-33-155-201	1	POORT, , Einschließlich/Includes/Avec/Inklusive/Compreso 6
6	133700550713	1	O-RING, , 24x35
7	1192550151	1	SPOEL, , Einschließlich/Includes/Avec/Inklusive/Compreso 8
8	1188550702	1	DICHTING, RUBBER,
9	1-33-155-410	1	RAAM,
10	100016	2	MOER, M10, CI 8,
11	190003930271	6	SCHIJF, , A10,5-140HV-A3C
12	1-33-155-555	1	STEUNBALK,
13	11106231	2	BOUW, Hex, M10 x 25, 10.9, Full Thd, , M10x25-8.8
14	280854	4	BOUW, Hex, M14 x 35, 8.8, Full Thd, , M14x35-8.8
15	133700550202	4	RUBBEREN BAND,
16	190003888452	2	MOER, , VM10-8
17	133700550197	2	KNOP,
18	1-33-155-553	1	PLAAT, GROOT,
19	1-33-155-411	1	BAND,
20	1-33-155-027	2	KLEM, , 10/13
21	1-33-155-270	1	VEILIGHEIDSKLEP,
22	1-33-155-261	1	SLANG, GROOT, , 6x12; L = 800mm
23	1-33-155-026	2	KLEM, , 12/15
24	1-33-155-006	1	SLANG, GROOT, , 9x15; L = 1110mm
24	1-33-155-414	1	SLANG, GROOT, , 9x15; L = 1790mm
24	133700550086	1	FLEXIBELE BUIS, , 9x15; L = 2000mm
25	1-33-155-035	4	KLEM, , 11/14
26	190003171697	1	BEVESTIGINGSKLEM, , A5x180 / K02
27	190003802353	3	SCHROEF, , M6x50-8.8
28	190003930251	3	SCHIJF, , A6,4-140HV-A3C
29	1-33-155-554	1	COVER, PROTECTIVE,
30	1-33-155-034	3	AFSTANDSRING, , l = 31mm
31	15896221	5	MOER, M6, CI 10, , M6-8-A2C, DIN934
32	190003930251	5	SCHIJF, , A6,4-140HV-A3C
33	190003810139	5	TAPEIND, , M6x16-8.8
34	1-33-155-323	2	PLAAT, AFSCHERMING,
35	1680340060	2	O-RING, , Ø 55x63
36	REF	-	INSTRUCTION, , Siehe Kapitel 04/See Chapter 04/Voir Chapitre 04/Se kapitel 04/Vedere capitolo 04
37	1-33-155-412	1	GAUGE, FUEL,
38	1-33-155-004	4	STEUNBEUGEL,
39	190003802401	4	SCHROEF, , M8x10-8.8

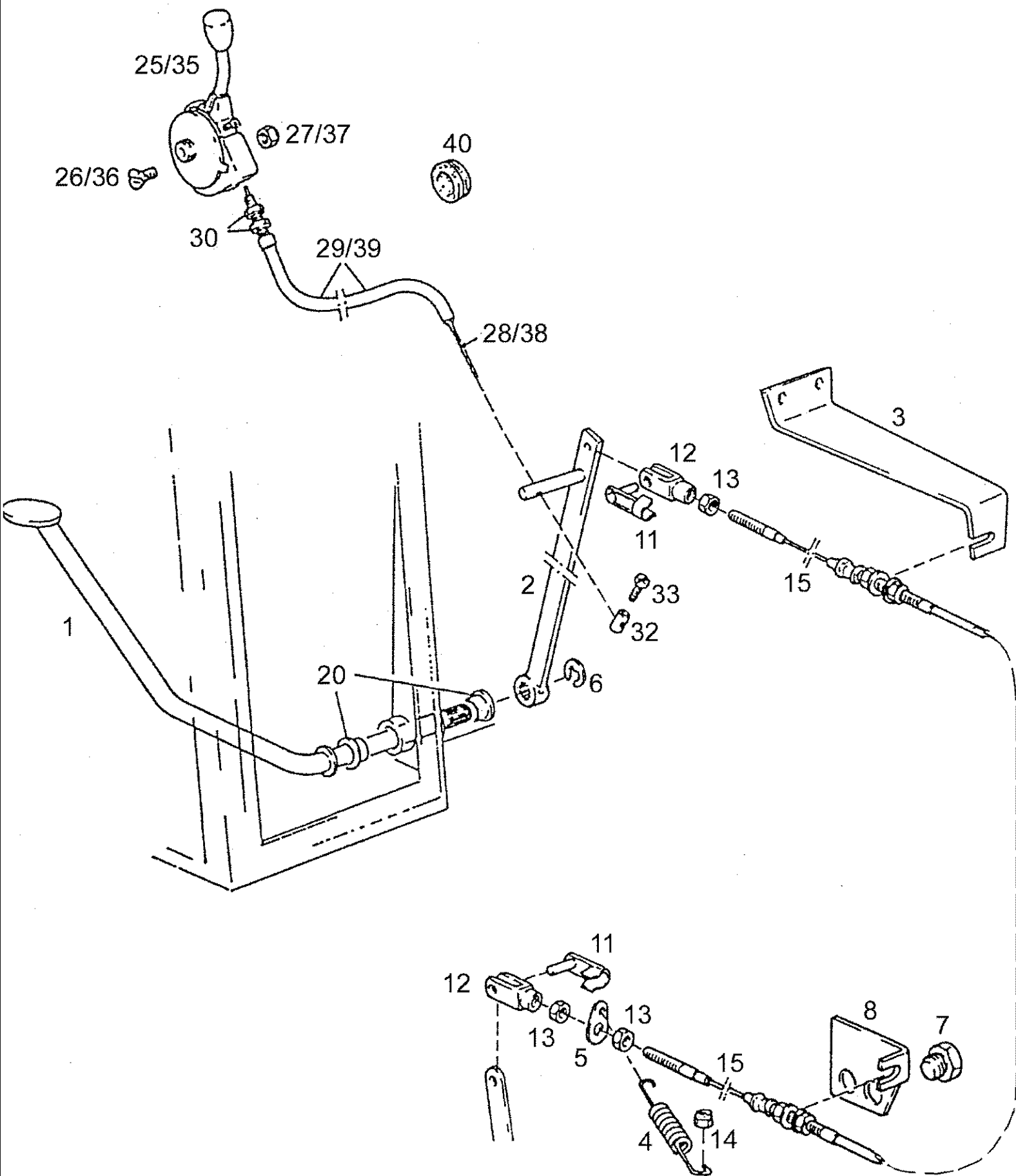
## 03-06(01) FUEL TANK AND LINES MID-MOUNTED MOWER

Ref	Onderdeelnummer	Kwt	Beschrijving
40	1-33-155-160	1	VALVE,
41	1-33-155-003	1	KOPPELING, , Y-Ø8mm
42	REF	1	INSTRUCTION, , Siehe Kapitel 09B/See Chapter 09B/Voir Chapitre 09B/Se kapitel 09B/Vedere capitolo 09B
43	REF	1	INSTRUCTION, , Siehe Kapitel 09B/See Chapter 09B/Voir Chapitre 09B/Se kapitel 09B/Vedere capitolo 09B
44	REF	1	INSTRUCTION, , Siehe Kapitel 07/See Chapter 07/Voir Chapitre 07/Se kapitel 07/Vedere capitolo 07



Ref	Onderdeelnummer	Kwt	Beschrijving
1	1-34-543-209	1	GASPEDAL
2	1-34-543-204	1	HEBEL
3	1-34-543-206	1	HEFBOOM,
4	1480A570063	1	SPRING, TENSION,
5	43128	2	BOUT, Hex, M8 x 30, 8.8,
6	190003888451	2	MOER, , VM8-8
7	190003930261	3	SLUITRING, , A8,4
10	1-34-543-218	1	STANG, , Besteht aus/Consists of/Compose de/Bestående af/È composto da 11 - 14
11	1-34-543-222	1	STANGE
12	190003963616	1	KOGELPEN, , B10
13	190003936513	1	SLUITPEN, , S10
14	15896221	1	MOER, M6, CI 10, , M6-8-A2C, DIN934
15	1397750128	1	VEER,
16	190003920221	1	SPLITPEN, , 3,2x18
17	190003963313	1	KOGELHOUDER, , C10
18	190003888608	1	MOER, , VM6-8
19	190003179432	1	PLUG, , A16,7x5,5
20	1-34-643-110	3	LAGERBUS, , Ø 12,15
25	133700570208	1	HEFBOOM,
26	190003825413	2	SCHROEF, , M8x16-4.8
27	190003888451	2	MOER, , VM8-8
28	1681270269	1	KABELDOORGANG, , Q37
29	1-34-543-047	1	KABELMANTEL, , Einschließlich/Includes/Avec/Inklusive/Compreso 30
30	905852R1	2	MOER, Thin, M8 x 1.25, CI 04, LH, , BM8
	190003930261	1	SLUITRING, , A8,4
31	1-34-543-046	1	KABEL,
32	190000880092	2	STRAP, CABLE, , E2,5
33	190003802104	1	SCHROEF, , M4x8
37	1-34-543-043	1	HAAK,
38	190003802506	1	SCHROEF, , M10x16-8.8
40	1-34-543-008	1	BOWDENBEDIENING,
41	190003129036	1	KABELDOORGANG, , 9x2,5
	190003936103	1	SLUITRING, , 8,4-140HV-A3C-DIN9021
42	190003171697	1	BEVESTIGINGSKLEM, , A5x180 / K02
43	180730022	2	VEER,
44	1586570064	3	CUP, SPRING,
45	1-33-135-061	1	VERWISSELBAAR RISTERVOORS,
46	1-33-135-060	1	LAGER,KOPPELING DRUKPLAA,
47	190003937929	1	SLUITRING, , 8K
48	190003936103	1	SLUITRING, , 8,4-140HV-A3C-DIN9021
51	1-34-543-212	1	BOWDENBEDIENING,

Ref	Onderdeelnummer	Kwt	Beschrijving
52	1-35-127-010	1	HOEKSTUK,
53	1-33-135-078	1	VERBINDING/KOPPELING,
54	190003844558	1	SCHROEF, , 6,3x16
55	190003171665	1	PLUG, , A18,4x8

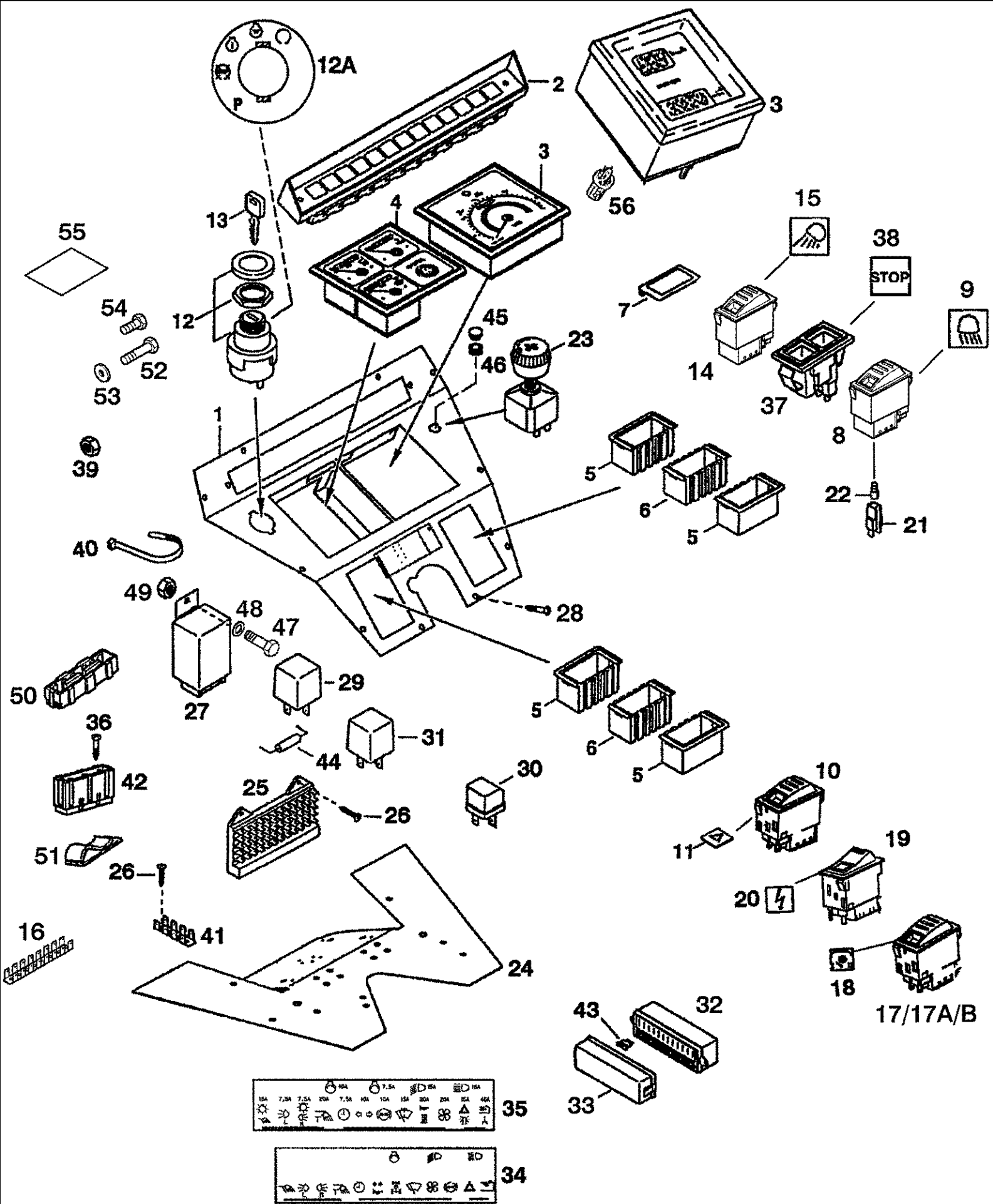




Ref	Onderdeelnummer	Kwt	Beschrijving
1	1-34-543-219	1	HEFBOOM,
2	1-34-543-225	1	TUIMELAARSTANG,
3	1-34-543-227	1	SUPPORT,
4	1-34-543-235	1	SPRING, TENSION,
5	1188570073	1	VERWISSELBAAR RISTERVOORS,
6	190003936617	1	SLUITRING, , 9
7	190003962029	2	SCHROEF, , A-M16x1,5
8	1-34-543-226	1	SUPPORT,
11	1-34-644-984	2	PEN, , Ø 6
12	190003964407	2	VORK, , G6x12
13	15896221	3	MOER, M6, CI 10, , M6-8-A2C, DIN934
14	190003888608	1	MOER, , VM6-8
15	1-34-543-230	1	KABEL,
20	1-34-643-110	3	LAGERBUS, , Ø 12,15
25	133700570208	1	HEFBOOM, , ---->02589
26	190003825413	2	SCHROEF, , M8x16-4.8 / ---->02589
27	190003888451	2	MOER, , VM8-8 / ---->02589
28	1-34-543-046	1	KABEL, , ---->02589
29	1-34-543-047	1	KABELMANTEL, , ---->02589
30	905852R1	2	MOER, Thin, M8 x 1.25, CI 04, LH, , BM8
32	190000880092	1	STRAP, CABLE, , E2,5
33	190003802104	1	SCHROEF, , M4x8
35	1-34-543-054	1	HEFBOOM, , 02590 ---->
36	190003825321	2	SCHROEF, , M6x16-4.8 / 02590 ---->
37	190003888608	2	MOER, , VM6-8 / 02590 ---->
38	1-34-543-302	1	BOWDENBEDIENING, , 02590 ---->
39	1-34-543-303	1	KABELMANTEL, , 02590 ---->
40	1681270269	1	KABELDOORGANG, , Q37



04-01(01) INSTRUMENT PANEL



## 04-01(01) INSTRUMENT PANEL

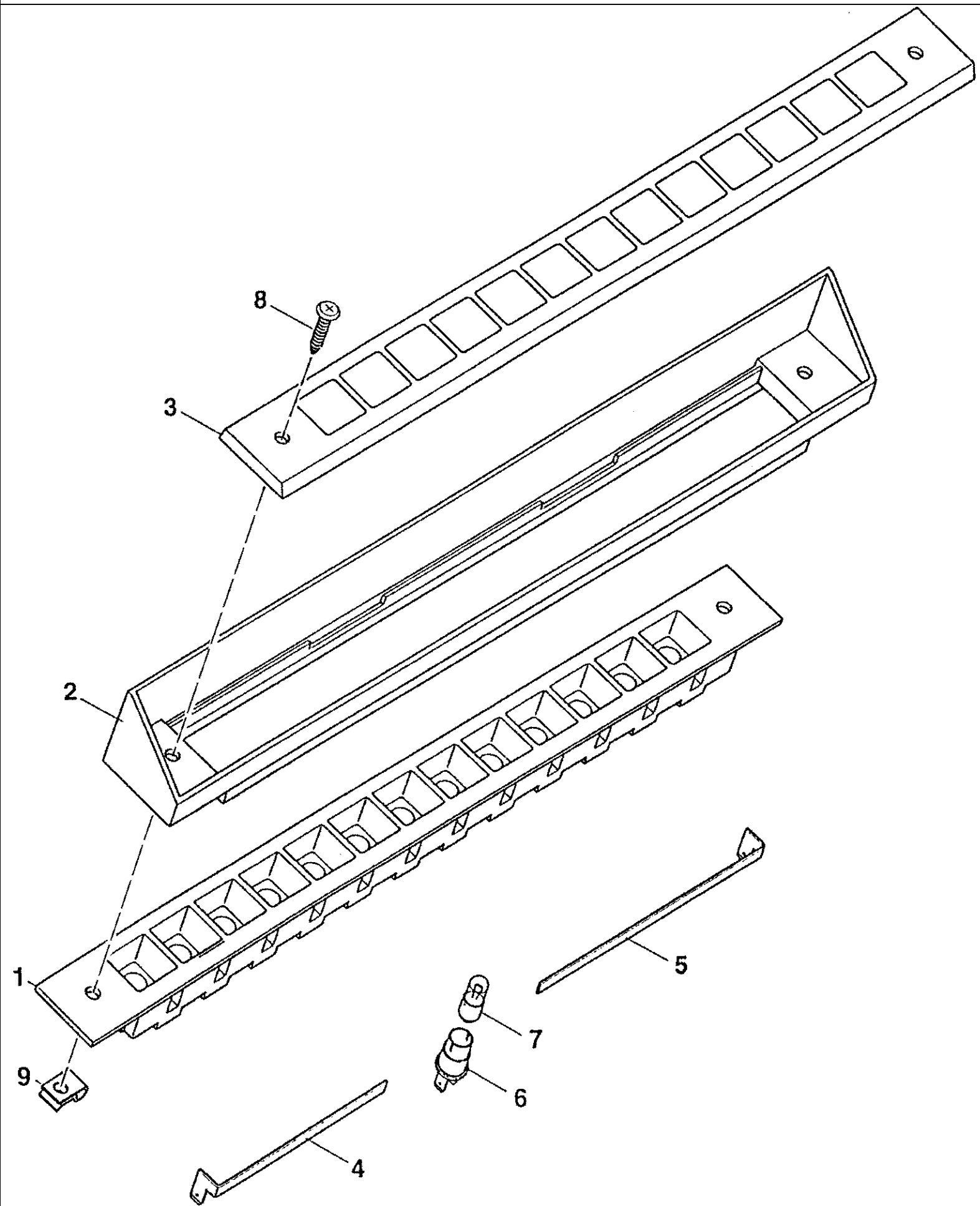
Ref	Onderdeelnummer	Kwt	Beschrijving
1	1-41-158-115	1	INSTRUMENTENBORD,
2	133700580301	1	SLAT,
3	1-41-158-303	1	TRACTOMETER, , P3 ; ----> 03141 ; Ersetzt / Replaces / Remplace / Udskiftet / Sostituisce 1-41-158-103
3	1-41-158-308	1	TRACTOMETER, , 03142 ----> ; Analog / Analog / Analogique / Analog / Analogico
3	135700580143	1	TRACTOMETER, , ----> 02468 ; Digital - Traktormeter / Digital - tractormeter / Tracteurmetre digital / Digital Traktormeter / Trattometro digitale
3	1-40-158-070	1	TOERENTELLER, , 02469 ----> ; Digital - Traktormeter / Digital - tractormeter / Tracteurmetre digital / Digital Traktormeter / Trattometro digitale
4	1-41-158-301	1	CLUSTER, INSTRUMENT, , 83L ; Ersetzt / Replaces / Remplace / Udskiftet / Sostituisce 1-41-158-101 ; Ohne Druckluftbremse / Without air brake / Sans servo-frein pneumatique / Uden trykluftbremse / Senza freni ad aria compressa
4	1-41-158-302	1	CLUSTER, INSTRUMENT, , 83L ; Ersetzt / Replaces / Remplace / Udskiftet / Sostituisce 1-41-158-102 ; Mit Druckluftbremse / With air brake / Avec servo-frein pneumatique / Med trykluftbremse / Con freni ad aria compressa
4	1-41-158-307	1	CLUSTER, INSTRUMENT, , 73L ; Ohne Druckluftbremse / Without air brake / Sans servo-frein pneumatique / Uden trykluffbremse / Senza freni ad aria compressa
4	1-41-158-309	1	CLUSTER, INSTRUMENT, , 73L ; Mit Druckluftbremse / With air brake / Avec servo-frein pneumatique / Med trykluffbremse / Con freni ad aria compressa
5	135700710002	4	RAAM,
6	135700710003	2	HUIS, , 4-Polig / 4-pole / À 4 pôle / 4-polet / 4 polo
7	139900580021	4	DEKSEL,
8	1-40-158-601	1	SCHAKELAAR, , ( 0-1-2 ) ; Ersetzt / Replaces / Remplace / Udskiftet / Sostituisce 139900580072
9	1-40-558-006	1	DECAL, , Ersetzt / Replaces / Remplace / Udskiftet / Sostituisce 139900580091
10	1-40-158-602	1	SCHAKELAAR, , ( 0-1 ) ; Ersetzt / Replaces / Remplace / Udskiftet / Sostituisce 139900580076, 139900580172
11	139900580088	1	SYMBOLLEN,
12	135700580118	1	ZITTINGKUSSEN,
12A	1-41-158-002	1	LIJM,
13	135700580706	1	SLEUTEL,
14	1-40-158-604	1	SCHAKELAAR, , ( 0-1 ) ; Ersetzt / Replaces / Remplace / Udskiftet / Sostituisce 139900580066
15	139900580146	1	SYMBOLLEN, , Ersetzt / Replaces / Remplace / Udskiftet / Sostituisce 139900580081
16	1-40-177-118	1	VERDELER, , V22
17	139900580173	1	AAN-UIT SCHAKELAAR, , ----> 02468
17A	139900580127	1	AAN-UIT SCHAKELAAR, , ( 0-<1 ) ; 02469 ---->
17B	1-40-158-605	1	SCHAKELAAR, , ( 0- <1 ) ; Ersetzt / Replaces / Remplace / Udskiftet / Sostituisce 139900580127
18	139900580174	1	SYMBOLLEN,
19	139900580075	1	SCHAKELAAR, , ( 0/ - 1 )
20	1-40-258-066	1	DECAL, , Ersetzt / Replaces / Remplace / Udskiftet / Sostituisce 139900580077 ; Grün / Green / Vert / Grøn / Verde
21	169200580087	X	AANSLUITING,

## 04-01(01) INSTRUMENT PANEL

Ref	Onderdeelnummer	Kwt	Beschrijving
22	3141107R1	X	LAMP, W5/1.2, 12V, 1.2W,
23	1-40-158-006	1	SCHAKELAAR MET HEFBOOM,
24	1-41-158-104	1	FLENSBEDEKKING,
25	179100770391	2	BLOCK ASSY.,
26	190003840018	12	SCHROEF, , ST2,9X6,5-C-H-A3C
27	135700580021	1	ZENDER, , Fahrtrichtungsanzeiger / Direction indicator / Clignotant / Retningsviser / Indicatori di direzione
28	190003840026	10	SCHROEF, , 4,8x16
29	1-40-158-048	1	RELAIS, , 30A ; Ersetzt / Replaces / Remplace / Udskiftet / Sostituisce 139900580048 ; Stromversorgung / Current supply / Alimentation en courant / Strømforsyning / Alimentazione elettrica
30	82030798	1	RELAIS, , 70A ; Neutralstellung / Neutral position / Position neutre / Neutralposition / Posizione neutra ; Ersetzt / Replaces / Remplace / Udskiftet / Sostituisce 1-40-158-10
31	1-40-758-024	1	RELAIS, , 40/60A ; Ersetzt / Replaces / Remplace / Udskiftet / Sostituisce 1-40-158-047
32	1-40-158-005	1	ZEKERINGSPATROON, , ----> 03141
32	1-40-158-015	1	BOX, FUSE, , 03142 ---->
33	1-40-158-105	1	COVER,
34	1-40-158-016	1	DECAL, , ----> 03141
35	1-40-158-017	1	LIJM, , 03142 ---->
36	190003844708	4	SCHROEF, , ST2,9X9,5-C-H-A3R
37	1-40-158-007	1	LAMP,
38	139900580302	2	SYMBOLLEN,
39	43362	2	MOER, M8, CI 10,
40	190003171697	5	BEVESTIGINGSKLEM, , A5x180 / K02
41	139900580030	X	VERDELER, , V20
42	169200770301	X	VERDELER, , V52 ; 5-Polig / 5-pole / À 5 pôle / 5-polet / 5 polo
43	1-40-258-107	X	ZEKERING, , 7,5A
43	1-40-258-110	X	ZEKERING, , 10A
43	1-40-258-115	X	ZEKERING, , 15A
43	1-40-258-120	X	ZEKERING, , 20A
43	1-40-258-125	X	ZEKERING, , 25A
43	1-40-258-140	1	ZEKERING, , 40A
44	1125770006	1	DIODE, , 3A, 1000V
45	1-34-619-003	1	PLUG,
46	190003129040	1	KABELDOORGANG, , Q04 ; 8x2
47	190003802216	2	SCHROEF, , M5x12-8.8
48	190003935462	2	SLUITRING, , A5,1-A3C
49	825-1405	2	MOER, M5, CI 8,
50	169200770300	1	VERDELER, , V11 ; 11-Polig / 11-pole / À 11 pôle / 11-polet / 11 polo
51	1397770015	1	KABEL,
52	43128	4	BOUT, Hex, M8 x 30, 8.8,
53	190003930261	6	SLUITRING, , A8,4

## 04-01(01) INSTRUMENT PANEL

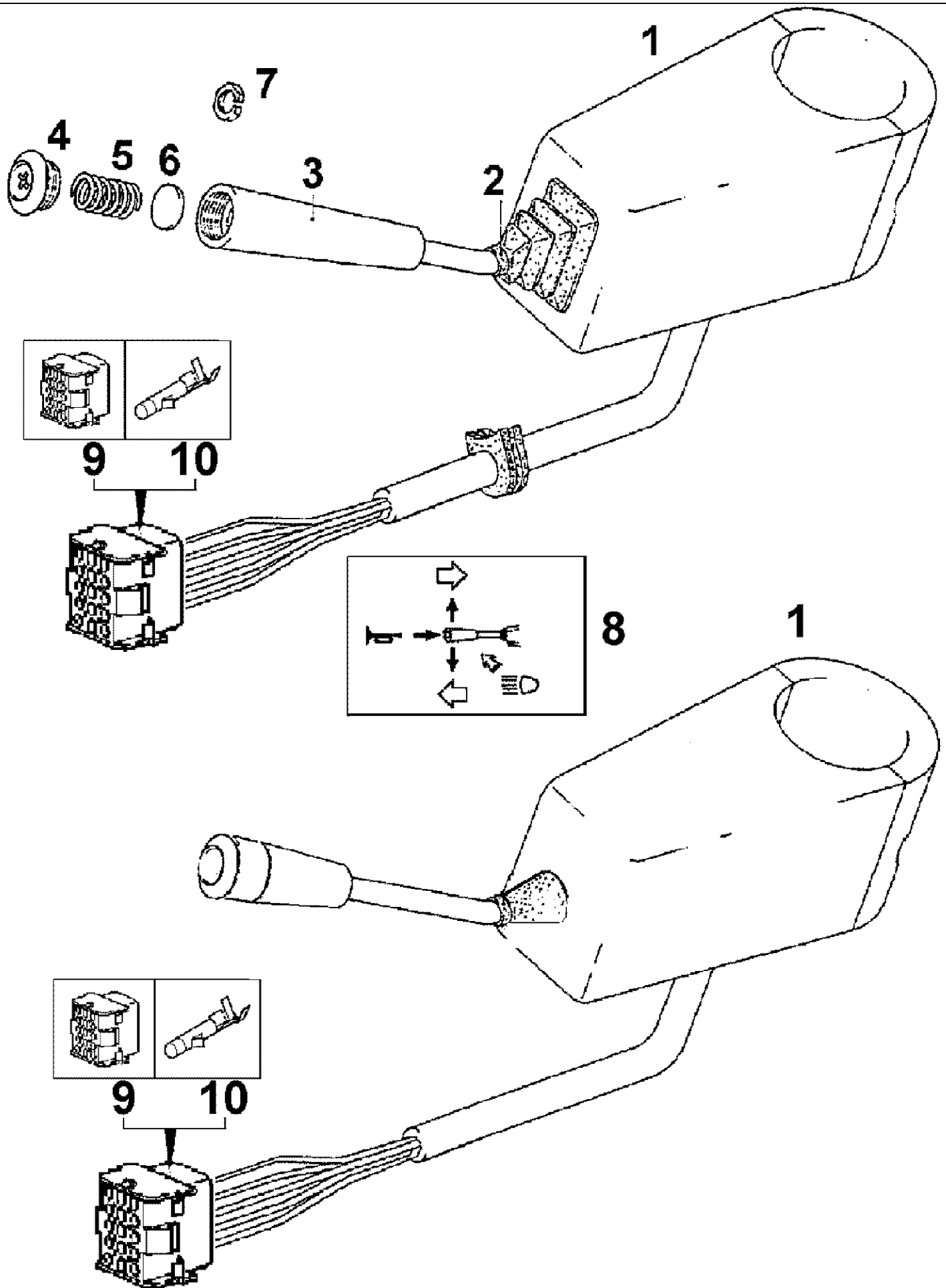
Ref	Onderdeelnummer	Kwt	Beschrijving
54	16043224	2	BOUT, Hex, M8 x 16, 8.8, Full Thd,
55	199112580205	1	DECAL,
56	190003450031	X	LAMP,



## 04-02(01) LIGHT BATTEN

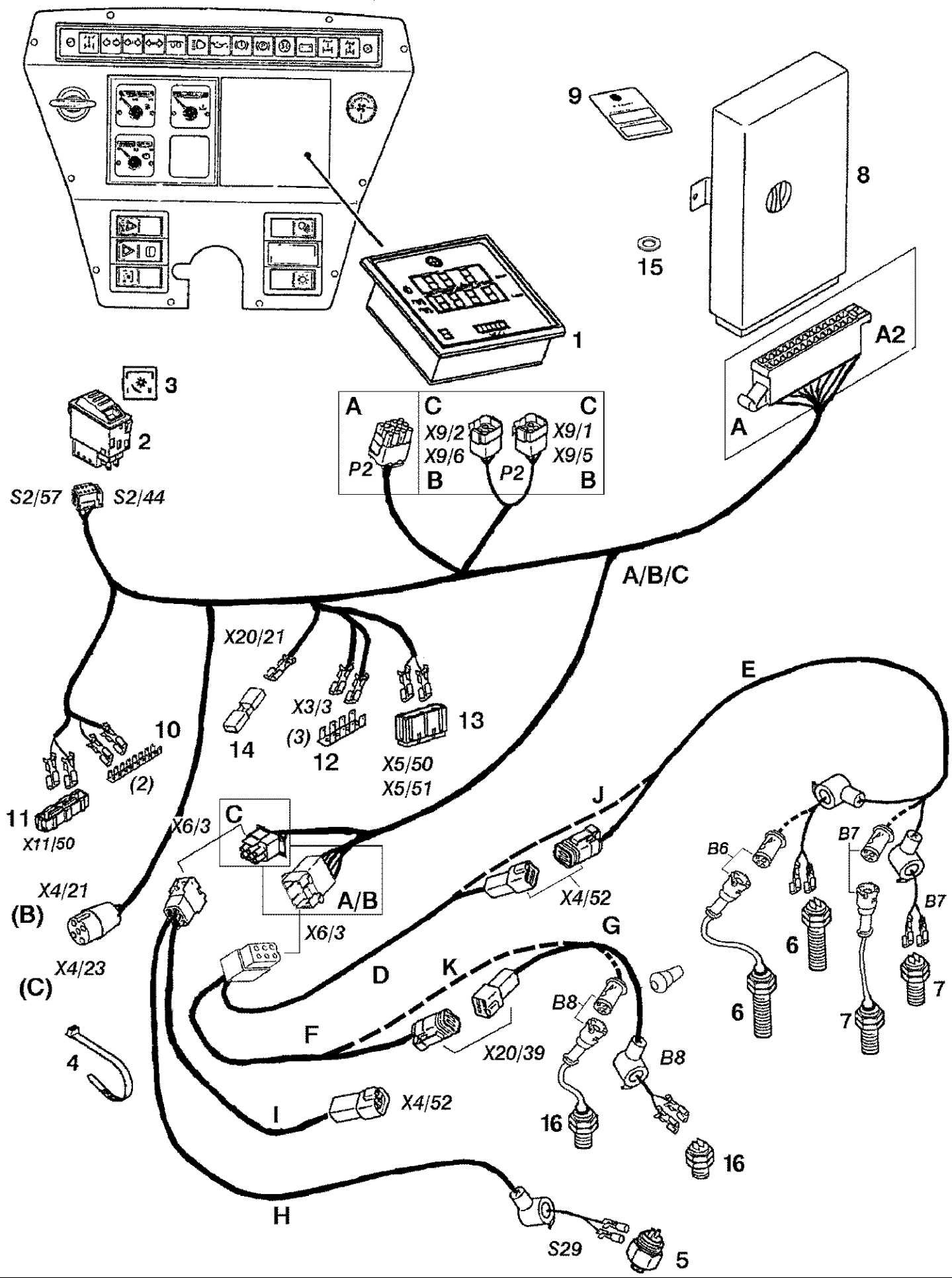
Ref	Onderdeelnummer	Kwt	Beschrijving
1	133700580301	1	SLAT,
2	133700580126	1	COVER, PROTECTIVE,
3	133700580128	1	AFSCHERMING,
4	133700580042	1	RAIL,
5	133700580043	1	RAIL,
6	179100580078	12	AANSLUITING,
7	711625R1	12	LAMP, H, 12V, 2W, , H-12V2W ; Ersetzt / Replaces / Remplace / Udskiftet / Sostituisce 190003452207
8	190003844618	2	SCHROEF, , ST4,2X32-C-H-A3R
9	190003699563	2	MOER, , B4,2/11362-A3C





## 04-03(01) SWITCH, COLUMN, STEERING

Ref	Onderdeelnummer	Kwt	Beschrijving
1	133700580217	1	AAN-UIT SCHAKELAAR, , COBO ; Einschließlich / Includes / Avec / Inklusive / Compreso 2 - 7, 9, 10
1	1-40-158-116	1	AAN-UIT SCHAKELAAR, , HELLA ; Ersetzt / Replaces / Remplace / Udskiftet / Sostituisce 133700580217 ; Einschließlich / Includes / Avec / Inklusive / Compreso 9 - 10
2	133700580706	1	BUFFER, RUBBER,
3	133700580707	1	HENDEL,
4	133700580708	1	SCHROEF,
5	133700580709	1	VEER,
6	133700580710	1	AFDICHTKNOP,
7	133700580727	1	BORGPLAAT,
8	1-41-158-003	1	DECAL,
9	169200770004	1	CONTACTDOOS, , N13
10	169200770006	15	VERBINDING, , X06



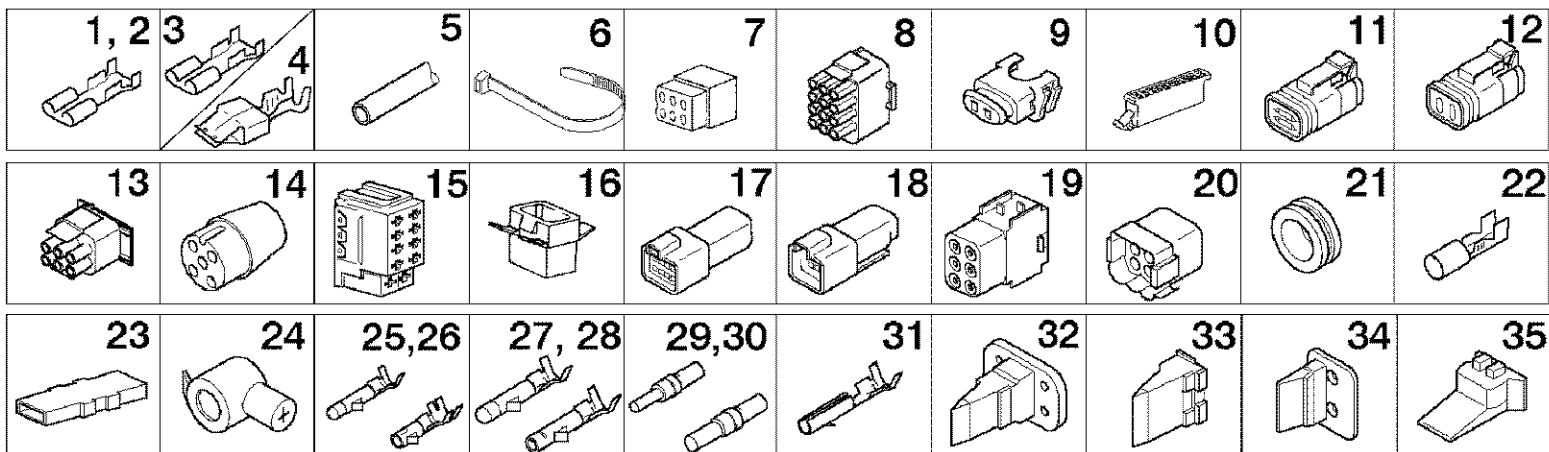
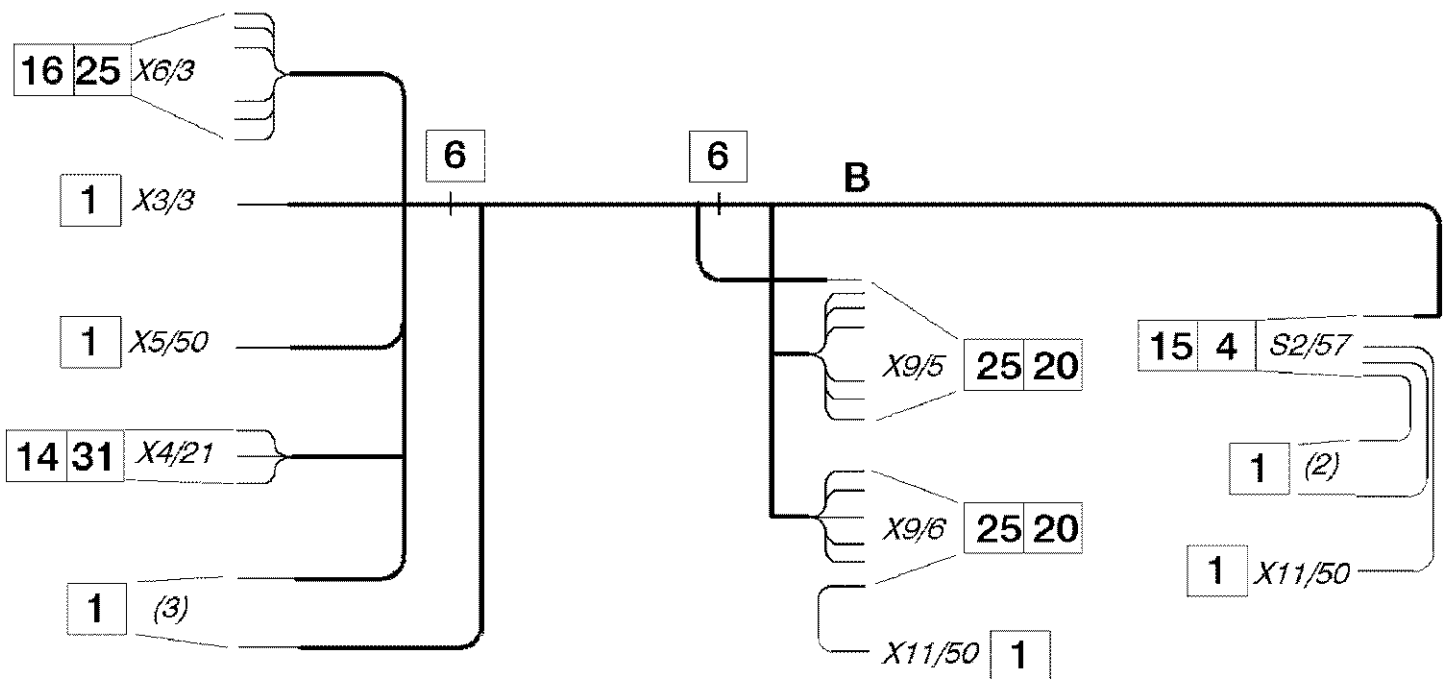
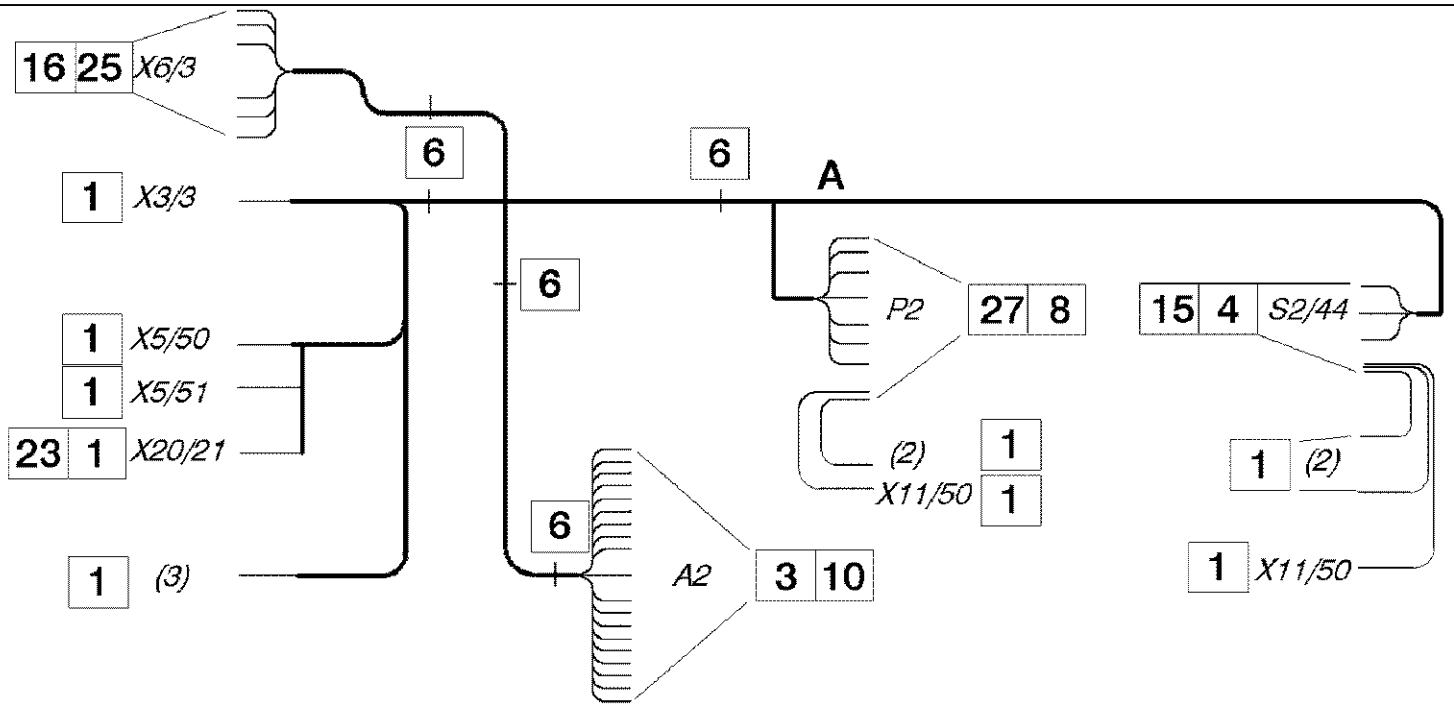
## 04-04(01) DIGITAL-TRACTORMETER

Ref	Onderdeelnummer	Kwt	Beschrijving
A	1-41-177-251	1	HARNESS, , ----> 02468
B	1-41-177-252	1	HARNESS, , 02469 ----> 03141
C	1-41-177-656	1	HARNESS, , 03142----> ; Siehe nächste Seite(n) / See next page(s) / Voir page(s) suivante(s) / Se næste side(r) / Vedere pagin(a/e) sequent(e/i)
D	1-41-177-280	1	ZENDER, , ----> 03141 ; Siehe nächste Seite(n) / See next page(s) / Voir page(s) suivante(s) / Se næste side(r) / Vedere pagin(a/e) sequent(e/i)
E	1-41-177-281	1	KABEL, , Siehe nächste Seite(n) / See next page(s) / Voir page(s) suivante(s) / Se næste side(r) / Vedere pagin(a/e) sequent(e/i)
F	1-41-177-286	1	ZENDER, , ----> 03141 ; Siehe nächste Seite(n) / See next page(s) / Voir page(s) suivante(s) / Se næste side(r) / Vedere pagin(a/e) sequent(e/i)
G	1-41-177-287	1	ZENDER, , ----> 03141 ; Siehe nächste Seite(n) / See next page(s) / Voir page(s) suivante(s) / Se næste side(r) / Vedere pagin(a/e) sequent(e/i)
H	1-41-177-660	1	CABLE ASSY., , 03142 ----> ; Siehe nächste Seite(n) / See next page(s) / Voir page(s) suivante(s) / Se næste side(r) / Vedere pagin(a/e) sequent(e/i)
I	1-41-177-696	1	KABEL, , 03142 ----> ; Siehe nächste Seite(n) / See next page(s) / Voir page(s) suivante(s) / Se næste side(r) / Vedere pagin(a/e) sequent(e/i)
J	1-41-177-092	1	HARNESS, , ----> ..... ; Siehe nächste Seite(n) / See next page(s) / Voir page(s) suivante(s) / Se næste side(r) / Vedere pagin(a/e) sequent(e/i)
K	1-41-177-094	1	KABEL, , ----> ..... ; Siehe nächste Seite(n) / See next page(s) / Voir page(s) suivante(s) / Se næste side(r) / Vedere pagin(a/e) sequent(e/i)
1	135700580143	1	TRACTOMETER, , ----> 02468
1	1-40-158-070	1	TOERENTELLER, , 02469 ---->
2	1-40-158-611	1	SCHAKELAAR, , ( 0-1-2 ) ; ----> 02468, Ersetzt / Replaces / Remplace / Udskiftet / Sostituisce 139900580173
2	1-40-158-605	1	SCHAKELAAR, , ( 0- <1 ) ; 02469 ---->, Ersetzt / Replaces / Remplace / Udskiftet / Sostituisce 139900580127
3	139900580174	1	SYMBOLLEN,
4	190003171697	5	BEVESTIGINGSKLEM, , A5x180 / K02
5	1-40-171-039	1	SCHAKELAAR, , 9 bar ; 03142 ----> ; Frontzapfwelle / Front P.T.O. / Prise de force avant / Frontmonteret kraftudtag / Presa di forza frontale
6	135700710026	1	SENSOR, , ----> 02468
6	155700710026	1	SENSOR, , 71mm lg ; 02469 ----> ; Ersetzt / Replaces / Remplace / Udskiftet / Sostituisce 1-40-171-106 ; Fahrgeschwindigkeit / Ground Speed / Vitesse de marche / Kørehastighed / Velocità di marcia
7	135700710025	1	SENSOR, , ----> 02468
7	155700710025	1	SENSOR, , 25mm ; 02469 ---->, Ersetzt / Replaces / Remplace / Udskiftet / Sostituisce 1-40-171-105 ; Zapfwelle / Power-take-off / Prise de force / Kraftudtag / Presa di forza
8	135700580035	1	ELECTRONISCHE KAST, , ----> 02468
9	135700580145	1	DECAL, , ----> 02468
10	1-40-177-118	1	VERDELER, , V22
11	169200770300	1	VERDELER, , V11 ; 11-Polig / 11-pole / À 11 pôle / 11-polet / 11 polo

## 04-04(01) DIGITAL-TRACTORMETER

Ref	Onderdeelnummer	Kwt	Beschrijving
12	139900580030	1	VERDELER, , V20
13	1-40-177-032	1	PIN, ELECTRIC TERM', , V53
14	199000770015	1	MEERV. POOLVERBINDINGSTU, , V02 ; 2-Polig / 2-pole / À 2 pôle / 2-polet / 2 polo
15	190003930035	2	SLUITRING, , 5,3-140HV-A3
16	135700710024	1	SENSOR, , 34mm ; ----> 02468
16	1-40-271-040	1	SENSOR, , 34mm ; 02469 ----> 03141 ; Frontzapfwelle / Front P.T.O. / Prise de force avant / Frontmonteret kraftudtag / Presa di forza frontale

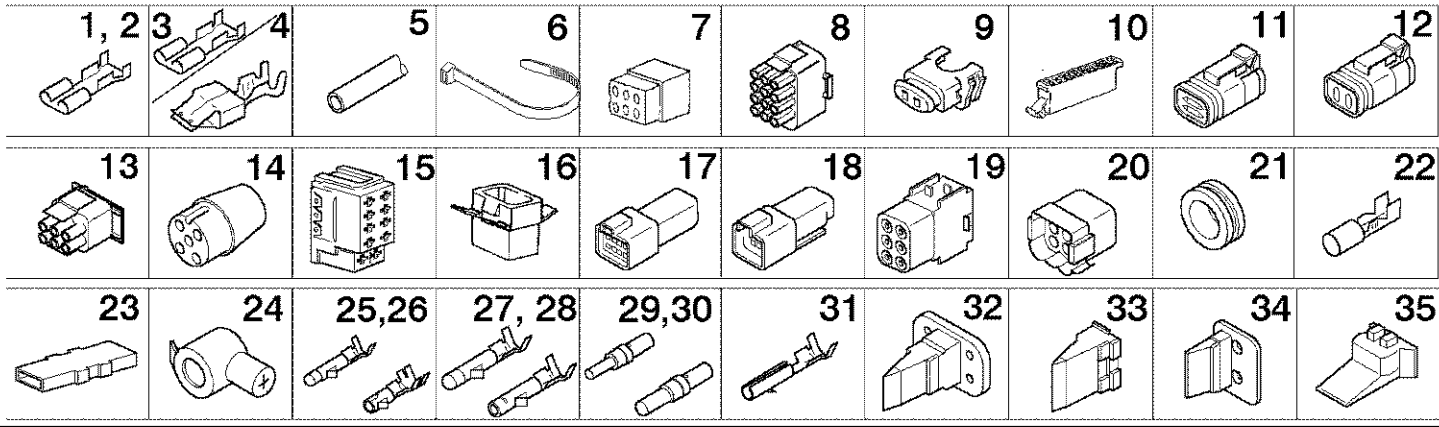
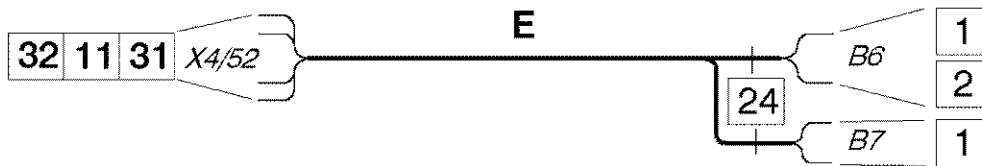
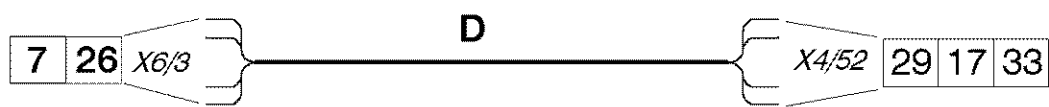
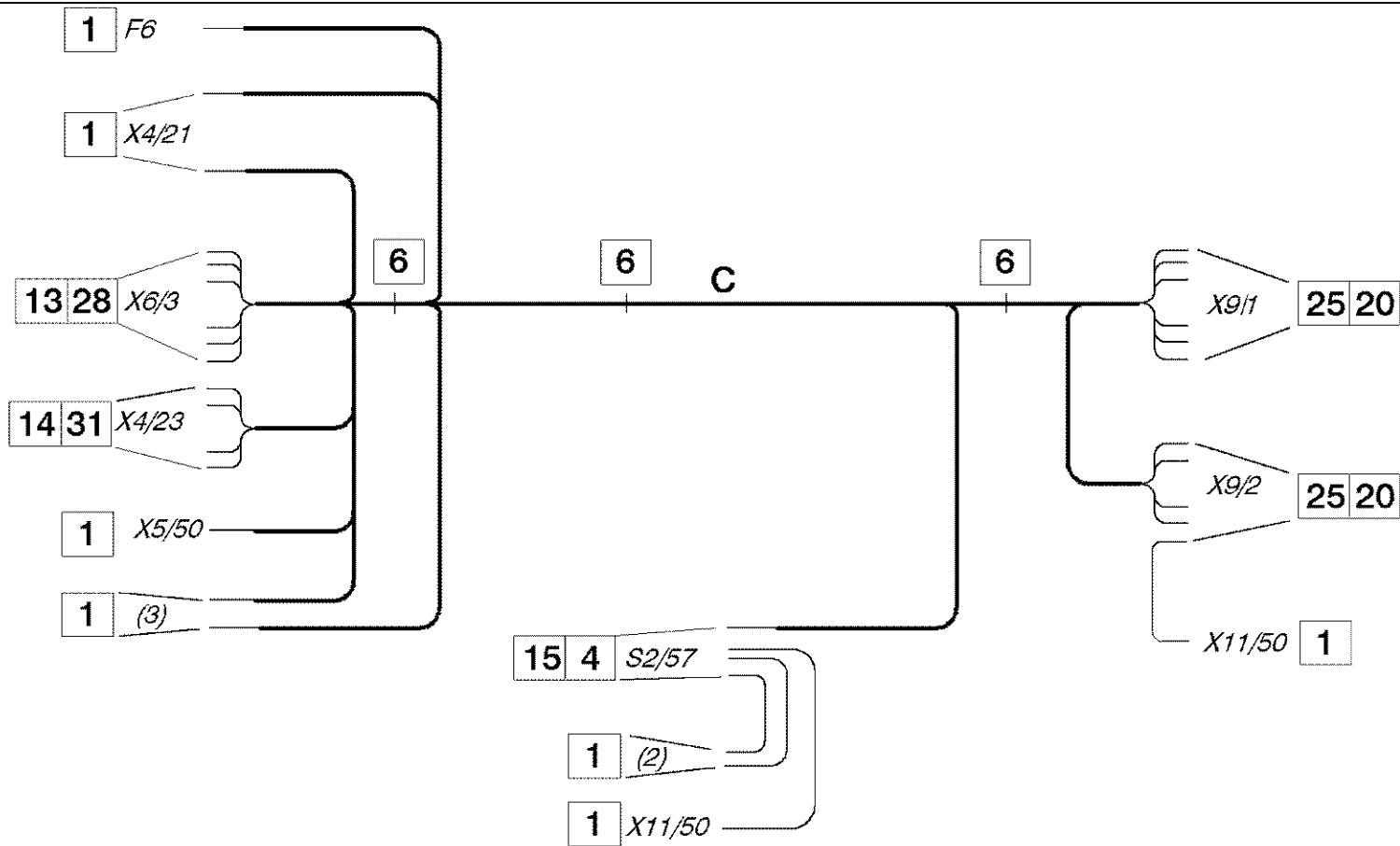
04-05(01) DIGITAL-TRACTORMETER



## 04-05(01) DIGITAL-TRACTORMETER

Ref	Onderdeelnummer	Kwt	Beschrijving
A	1-41-177-251	1	HARNESS, , ----> 02468
B	1-41-177-252	1	HARNESS, , 02469 ----> 03141
1	190003499650	15	KABELSCHOEN, , G01
2	199000770238	1	AANSLUITKLEM, , G09
3	169200770086	2	KABELSCHOEN, , G21
4	1-40-277-036	4	VERBINDING, , G41
5	169200770198	2	FLEXIBELE BUIS, , J10
6	190003171715	2	SPANHULS, , A2,5x100 / K01
7	179100770105	1	CONTACTDOOS, , M18 ; 6-Polig / 6-pole / À 6 pôle / 6-polet / 6 polo
8	169200770010	1	AANSLUITING, , M26 ; 12-Polig / 12-pole / À 12 pôle / 12-polet / 12 polo
9	135700770015	1	AANSLUITING, , M38 ; Weiss / White / Blanc / Hvid / Bianco
10	135700770061	1	CONTACTDOOS, , M51 ; 25-Polig / 25-pole / À 25 pôle / 25-polet / 25 polo
11	135700770123	1	VERBINDING, , M84
12	1-40-177-013	1	VERBINDING, , M87
13	1-40-277-010	1	CONTACTDOOS, , M8D
14	1-40-277-003	1	AANSLUITING, , M8E ; 4-Polig / 4-pole / À 4 pôle / 4-polet / 4 polo
15	1-40-277-039	2	CONTACTDOOS, , M8Q ; 10-Polig / 10-pole / À 10 pôle / 10-polet / 10 polo
16	179100770107	2	CONTACTDOOS, , N10
17	135700770124	2	AANSLUITING, , N43
18	1-40-177-014	2	AANSLUITING, , N46
19	1-40-277-009	1	CONTACTDOOS, , N4A
20	1-40-277-017	2	AANSLUITING, , N4C ; 9-Polig / 9-pole / À 9 pôle / 9-polet / 9 polo
21	190003120098	1	KABELDOORGANG, , 8x1/20
22	169200770199	2	KABELSCHOEN, , T06
23	199000770015	1	MEERV. POOLVERBINDINGSTU, , V02 ; 2-Polig / 2-pole / À 2 pôle / 2-polet / 2 polo
24	1-40-277-040	3	SENSOR, , W41
25	1397770023	11	PEN, KLEIN, , X03
26	1397770024	X	LAGERBUS, , X04
27	169200770006	10	VERBINDING, , X06
28	169200770007	6	VERBINDING, , X07
29	133700770375	4	KABELSCHOEN, , X30
30	133700770376	4	VERBINDING, , X31
31	1-40-277-035	4	KABELSCHOEN, , X33
32	135700770125	1	AANSLUITING, , Y21
33	135700770126	1	AANSLUITING, , Y22
34	1-40-177-015	1	AANSLUITING, , Y27
35	1-40-177-016	1	TUSSENSTUK, , Y28

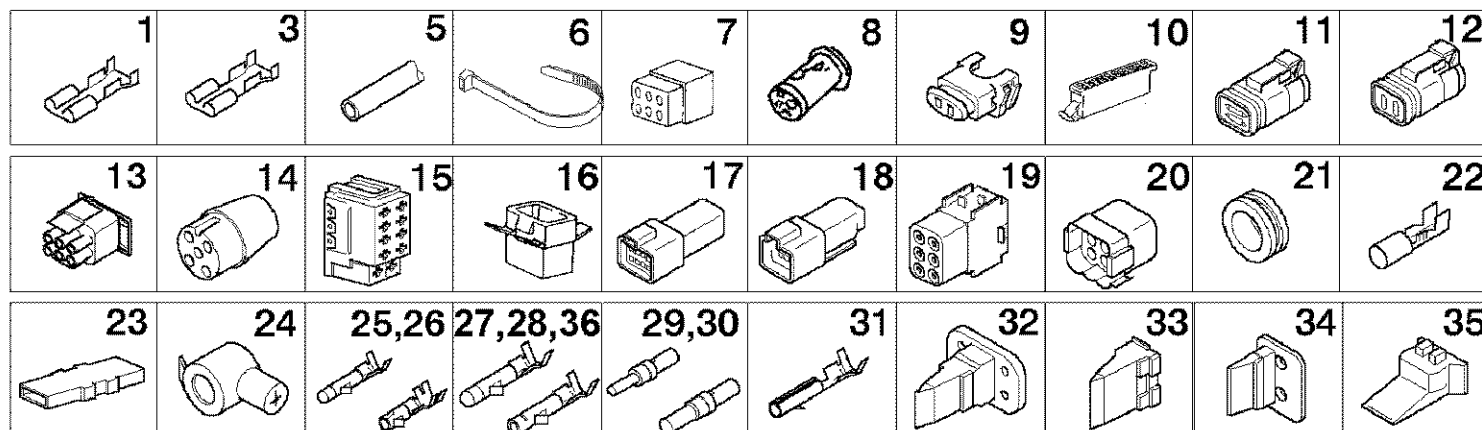
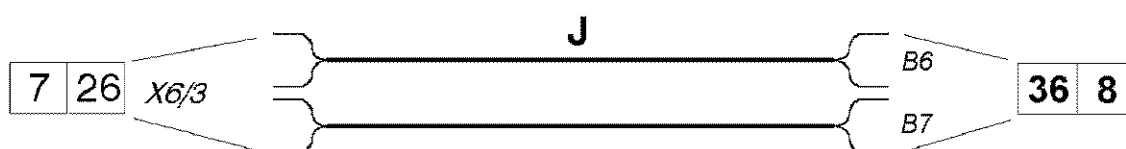
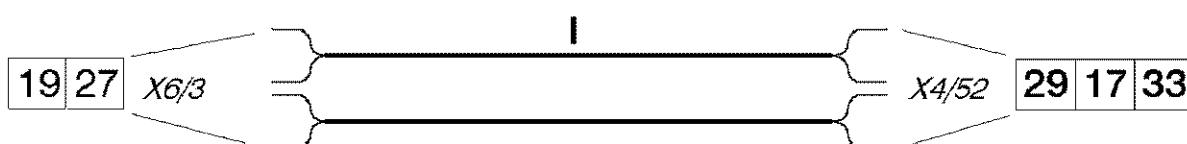
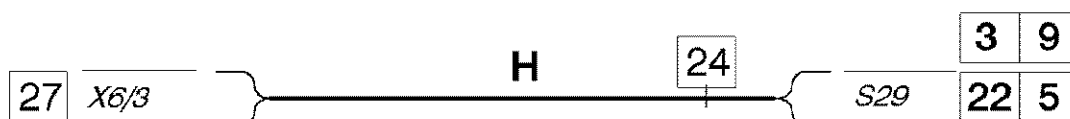
04-06(01) DIGITAL-TRACTORMETER





## 04-06(01) DIGITAL-TRACTORMETER

Ref	Onderdeelnummer	Kwt	Beschrijving
C	1-41-177-656	1	HARNESS, , 03142 ---->
D	1-41-177-280	1	ZENDER, , ----> 03141 ; Getriebe P.T.O.Sensor / Transmission P.T.O.Sensor/ Transmission P.T.O.Captteur/ Gearkasse P.T.O. Føler/ Cambio, PTO. Sensore
E	1-41-177-281	1	KABEL, , Getriebe P.T.O.Sensor / Transmission P.T.O.Sensor/ Transmission P.T.O.Captteur/ Gearkasse P.T.O. Føler/ Cambio, PTO. Sensore
1	190003499650	15	KABELSCHOEN, , G01
2	199000770238	1	AANSLUITKLEM, , G09
3	169200770086	2	KABELSCHOEN, , G21
4	1-40-277-036	4	VERBINDING, , G41
5	169200770198	2	FLEXIBELE BUIS, , J10
6	190003171715	2	SPANHULS, , A2,5x100 / K01
7	179100770105	1	CONTACTDOOS, , M18 ; 6-Polig / 6-pole / À 6 pôle / 6-polet / 6 polo
8	169200770010	1	AANSLUITING, ,, M26 ; 12-Polig / 12-pole / À 12 pôle / 12-polet / 12 polo
9	135700770015	1	AANSLUITING, , M38 ; Weiss / White / Blanc / Hvid / Bianco
10	135700770061	1	CONTACTDOOS, , M51 ; 25-Polig / 25-pole / À 25 pôle / 25-polet / 25 polo
11	135700770123	1	VERBINDING, , M84
12	1-40-177-013	1	VERBINDING, , M87
13	1-40-277-010	1	CONTACTDOOS, , M8D
14	1-40-277-003	1	AANSLUITING, , M8E ; 4-Polig / 4-pole / À 4 pôle / 4-polet / 4 polo
15	1-40-277-039	2	CONTACTDOOS, , M8Q ; 10-Polig / 10-pole / À 10 pôle / 10-polet / 10 polo
16	179100770107	2	CONTACTDOOS, , N10
17	135700770124	2	AANSLUITING, , N43
18	1-40-177-014	1	AANSLUITING, , N46
19	1-40-277-009	1	CONTACTDOOS, , N4A
20	1-40-277-017	2	AANSLUITING, , N4C ; 9-Polig / 9-pole / À 9 pôle / 9-polet / 9 polo
21	190003120098	1	KABELDOORGANG, , 8X1/20
22	169200770199	2	KABELSCHOEN, , T06
23	199000770015	1	MEERV. POOLVERBINDINGSTU, , V02 ; 2-Polig / 2-pole / À 2 pôle / 2-polet / 2 polo
24	1-40-277-040	3	SENSOR, , W41
25	1397770023	11	PEN, KLEIN, , X03
26	1397770024	X	LAGERBUS, , X04
27	169200770006	10	VERBINDING, , X06
28	169200770007	6	VERBINDING, , X07
29	133700770375	4	KABELSCHOEN, , X30
30	133700770376	4	VERBINDING, , X31
31	1-40-277-035	4	KABELSCHOEN, , X33
32	135700770125	1	AANSLUITING, , Y21
33	135700770126	1	AANSLUITING, , Y22
34	1-40-177-015	1	AANSLUITING, , Y27
35	1-40-177-016	1	TUSSENSTUK, , Y28

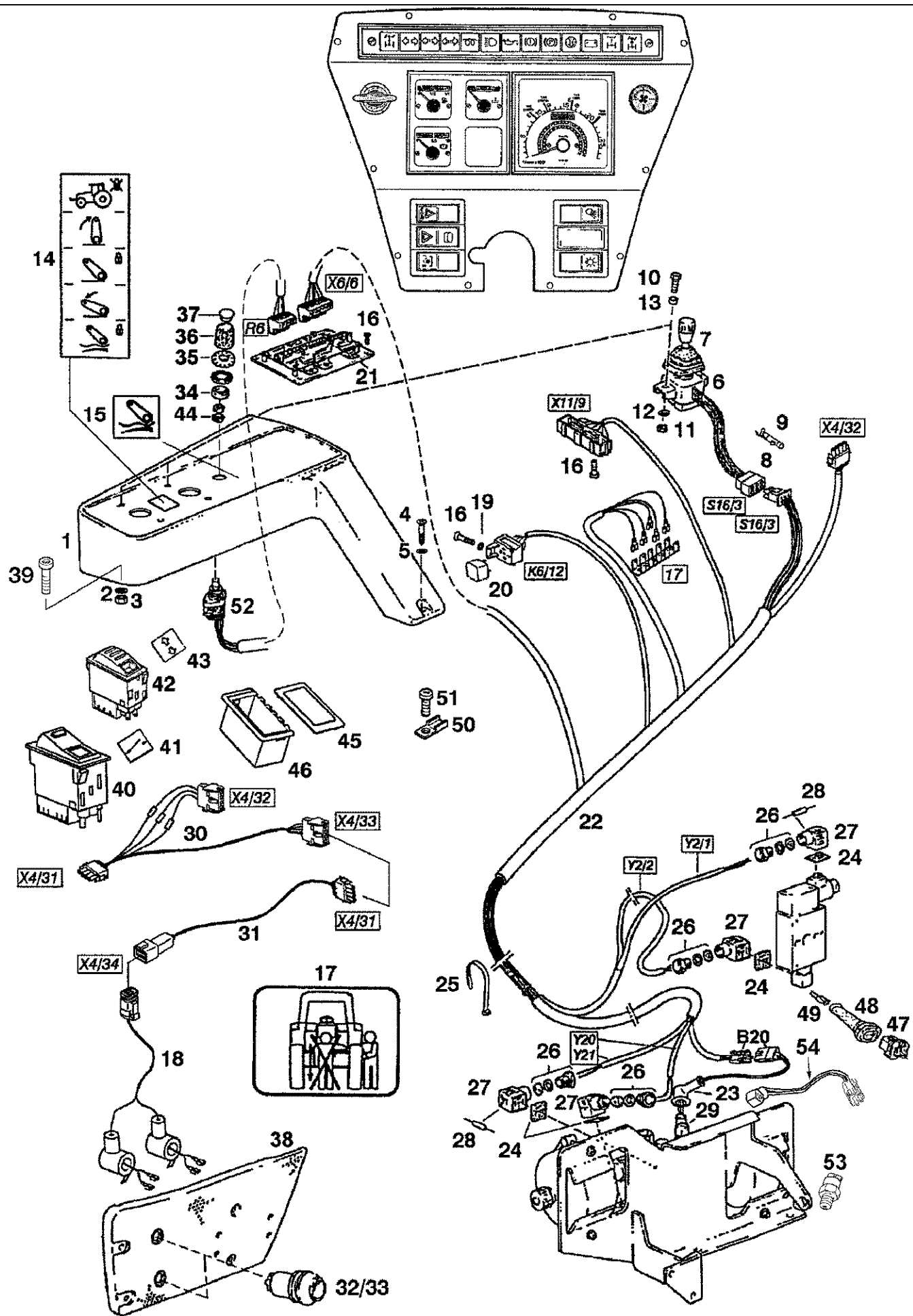


## 04-07(01) DIGITAL-TRACTORMETER

Ref	Onderdeelnummer	Kwt	Beschrijving
F	1-41-177-286	1	ZENDER, , ----> 03141 ; Zapfwelle vorne / Power-take-off front / Prise de force avant / Kraftudtag forrest / Presa di forza, davanti
G	1-41-177-287	1	ZENDER, , ----> 03141 ; Zapfwelle vorne / Power-take-off front / Prise de force avant / Kraftudtag forrest / Presa di forza, davanti
H	1-41-177-660	1	CABLE ASSY., , 03142 ----> ; Schalter Zapfwelle vorne / Switch Power-take-off front / Commutateur Prise de force avant / Kontakt Kraftudtag forrest / Interruttore Presa di forza, davanti
I	1-41-177-696	1	KABEL, , 03142 ----> ; Getriebe P.T.O.Sensor / Transmission P.T.O.Sensor/ Transmission P.T.O.Captur/ Gearkasse P.T.O. Føler/ Cambio, PTO. Sensore
J	1-41-177-092	1	HARNESS, , ---->..... ; Fahrgeschwindigkeit Zapfwelle / Ground Speed Power-take-off / Vitesse de marche Prise de force / Kørehastighed Kraftudtag / Velocità di marcia Presa di forza
K	1-41-177-094	1	KABEL, , ---->..... ; Frontzapfwelle / Front P.T.O. / Prise de force avant / Frontmonteret kraftudtag / Presa di forza frontale
1	190003499650	15	KABELSCHOEN, , G01
3	169200770086	2	KABELSCHOEN, , G21
5	169200770198	2	FLEXIBELE BUIS, , J10
6	190003171715	2	SPANHULS, , A2,5x100 / K01
7	179100770105	1	CONTACTDOOS, , M18 ; 6-Polig / 6-pole / À 6 pôle / 6-polet / 6 polo
8	169200770008	3	CONTACTDOOS, , M25 ; 2-Polig / 2-pole / À 2 pôle / 2-polet / 2 polo
9	135700770015	11	AANSLUITING, , M38 ; Weiss / White / Blanc / Hvid / Bianco
10	135700770061	1	CONTACTDOOS, , M51 ; 25-Polig / 25-pole / À 25 pôle / 25-polet / 25 polo
11	135700770123	1	VERBINDING, , M84
12	1-40-177-013	1	VERBINDING, , M87
13	1-40-277-010	1	CONTACTDOOS, , M8D
14	1-40-277-003	1	AANSLUITING, , M8E ; 4-Polig / 4-pole / À 4 pôle / 4-polet / 4 polo
15	1-40-277-039	2	CONTACTDOOS, , M8Q ; 10-Polig / 10-pole / À 10 pôle / 10-polet / 10 polo
16	179100770107	2	CONTACTDOOS, , N10
17	135700770124	2	AANSLUITING, , N43
18	1-40-177-014	1	AANSLUITING, , N46
19	1-40-277-009	1	CONTACTDOOS, , N4A
20	1-40-277-017	2	AANSLUITING, , N4C ; 9-Polig / 9-pole / À 9 pôle / 9-polet / 9 polo
21	190003120098	1	KABELDOORGANG, , 8X1/20
22	169200770199	2	KABELSCHOEN, , T06
23	199000770015	1	MEERV. POOLVERBINDINGSTU, , V02 ; 2-Polig / 2-pole / À 2 pôle / 2-polet / 2 polo
24	1-40-277-040	3	SENSOR, , W41
25	1397770023	11	PEN, KLEIN, , X03
26	1397770024	X	LAGERBUS, , X04
27	169200770006	10	VERBINDING, , X06
28	169200770007	6	VERBINDING, , X07
29	133700770375	4	KABELSCHOEN, , X30
30	133700770376	4	VERBINDING, , X31
31	1-40-277-035	4	KABELSCHOEN, , X33

## 04-07(01) DIGITAL-TRACTORMETER

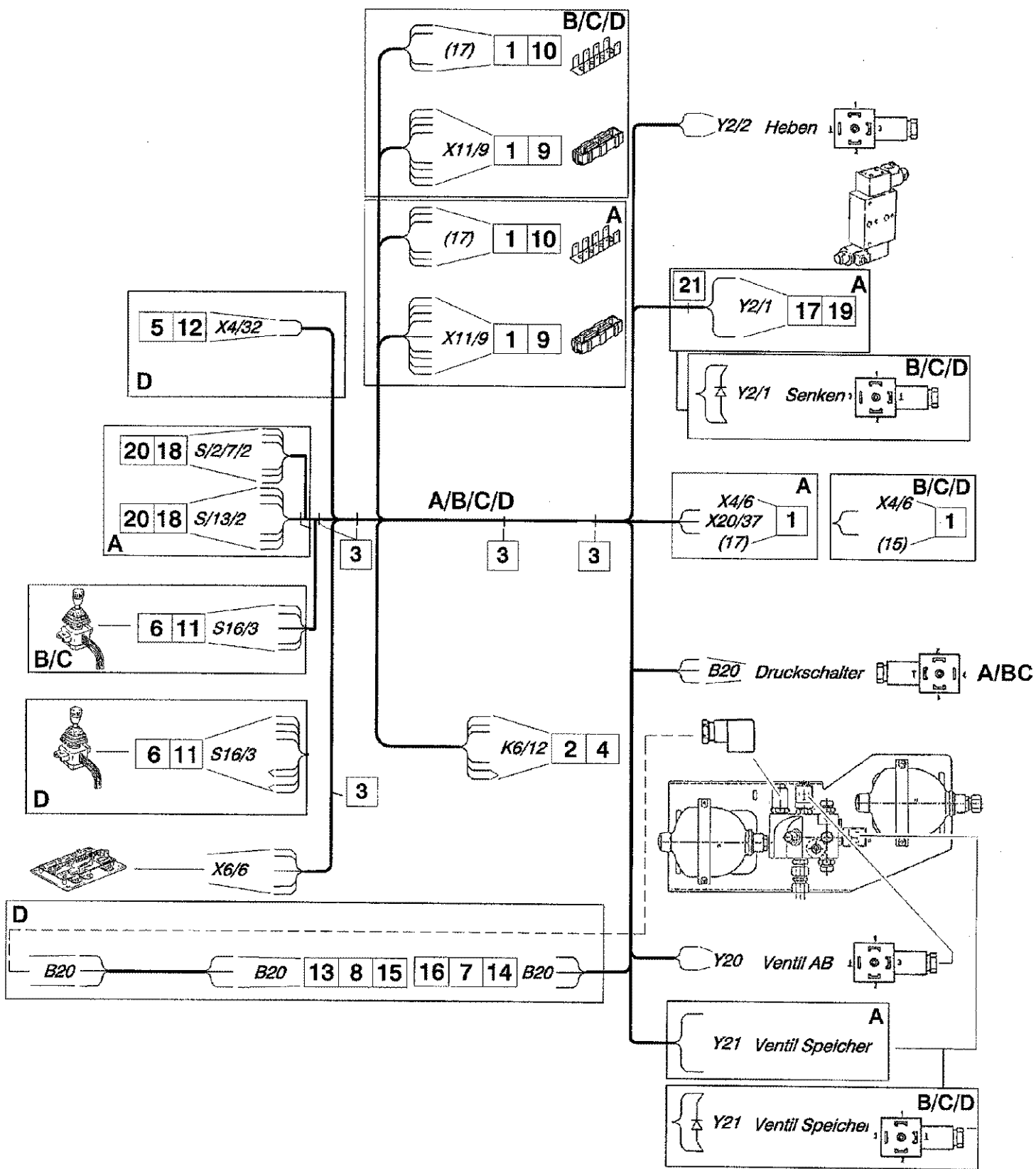
Ref	Onderdeelnummer	Kwt	Beschrijving
32	135700770125	1	AANSLUITING, , Y21
33	135700770126	1	AANSLUITING, , Y22
34	1-40-177-015	1	AANSLUITING, , Y27
35	1-40-177-016	1	TUSSENSTUK, , Y28
36	169200770009	6	LAGERBUS, , X08



## 04-08(01) ELECTRONIC IMPLEMENT RELIEF 'EGE' ELECTRICAL CABLE

Ref	Onderdeelnummer	Kwt	Beschrijving
1	1-41-171-190	1	KONZOOOL, , ----> 01723
1	1-41-171-192	1	KONZOOOL, , 01724 ---->
2	43362	2	MOER, M8, CI 10,
3	190003930261	2	SLUITRING,
4	190003840093	1	SCHROEF,
5	190003930234	1	SCHIJF, , A4,3-140HV-A3R
6	1-40-171-131	1	LEVER, CONTROL, , 800mm ; Ersetzt / Replaces / Remplace / Udskiftet / Sostituisce 1-40-171-031
7	1-40-771-001	1	BLAASBALG,
8	1-40-277-009	1	CONTACTDOOS, , N4A
9	169200770007	6	VERBINDING, , X07
10	190003860218	2	SCHROEF,
11	190003888450	2	MOER,
12	190003936100	2	SLUITRING, , 5,3-140HV-A3C
13	133700580053	2	AFSTANDSRING,
14	1-40-271-140	1	DECAL, , 01724 ----> ; Gelb / Yellow / Jaune / Gul / Giallo
15	1-40-271-141	1	SYMBOLEN, , 01724 ----> ; Gelb / Yellow / Jaune / Gul / Giallo
16	190003844708	8	SCHROEF,
17	1-34-677-644	1	DECAL,
18	1-41-177-697	1	KABEL, , 03679 ---->, Siehe nächste Seite(n) / See next page(s) / Voir page(s) suivante(s) / Se næste side(r) / Vedere pagin(a/e) sequent(e/i)
19	190003930231	1	SLUITRING,
20	1-40-158-048	1	RELAIS,
21	1-35-795-014	1	ELECTRONISCH PANEEL,
22	1-41-177-288		, ----> 01723
22	1-41-177-289	1	CABLE ASSY., , 01724 ----> 03141
22	1-41-177-689	1	LEIDING, , 03142 ----> 03678
22	1-41-177-686	1	KABEL, , 03679 ---->, einschließlich / includes / avec / inklusive / compreso 03649 ; Siehe nächste Seite(n) / See next page(s) / Voir page(s) suivante(s) / Se næste side(r) / Vedere pagin(a/e) sequent(e/i)
23	13809770107	1	KABELDOORGANG, , U02
24	1397710025	X	DICHTINGSSTUK,
25	190003171697	X	BEVESTIGINGSKLEM, , A5x180 / K02
26	133700770066	4	DICHTINGSSTUK,
27	1397710020	X	FITTING/RECIPIËNT, , P04
28	1125770004	2	DIODE,
29	1-35-795-022	1	PIN, ELECTRIC TERM',
30	1-41-177-698	1	KABEL, , Siehe nächste Seite(n) / See next page(s) / Voir page(s) suivante(s) / Se næste side(r) / Vedere pagin(a/e) sequent(e/i)
31	1-41-177-687	1	KABEL, , Siehe nächste Seite(n) / See next page(s) / Voir page(s) suivante(s) / Se næste side(r) / Vedere pagin(a/e) sequent(e/i)
32	1-40-258-061	1	SCHAKELAAR,

Ref	Onderdeelnummer	Kwt	Beschrijving
33	1-40-258-062	1	SCHAKELAAR,
34	1-35-795-018	1	AFSTANDSRING,
35	1-35-795-019	1	SLUITRING,
36	1-35-795-020	1	KNAP,
37	1-35-795-021	1	COVER,
38	1-35-195-141	1	ZIJWAND, , Links / Lef t/ Gauche / Venstre / Sinistro
39	120104	2	BOUT, Hex, M8 x 20, 8.8, ----> 01723
40	139900580075	1	SCHAKELAAR, , ( 0/ - 1 ) ; ----> 01723
41	139900580084	1	SYMBOLLEN, , ----> 01723
42	1-40-158-606	1	SCHAKELAAR, , ( 1>0-2 ) ; ----> 01723
43	139900580079	1	EMBLEEM, , ----> 01723 ; Grün / Green / Vert / Grøn / Verde
44	1188720391	1	KETTING (AG),
45	139900580021	2	DEKSEL, , ----> 01723
46	135700710002	4	RAAM, , ----> 01723
47	135700770014	1	MEERV. POOLVERBINDINGSTU, , M37 ; Schwarz / Black / Noir / Sort / Nero
48	1-40-171-010	1	AFSCHERMKAP, , W40
49	169200770086	1	KABELSCHOEN, , G21
50	1-40-277-052	1	DRAAGARM,
51	190003840086	1	ZELFTAPPENDE SCHROEF, Cross Pan Hd, M4.3 x 13, , BL.St.4,2-C-H-A3R
52	1-35-795-017	1	BEDIENING,
53	1-35-795-010	1	SENSOR,
54	1-35-795-346	1	LEIDING,






## 04-09(01) ELECTRONIC IMPLEMENT RELIEF 'EGE' ELECTRICAL CABLE

Ref	Onderdeelnummer	Kwt	Beschrijving
A	1-41-177-288	1	, ----> 01723 ; Steuerung / Distribution / Distribution / Styring / Comando
B	1-41-177-289	1	CABLE ASSY., , 01724 ----> 03141 ; Steuerung / Distribution / Distribution / Styring / Comando
C	1-41-177-689	1	LEIDING, , 03142 ----> 03678 ; Steuerung / Distribution / Distribution / Styring / Comando
D	1-41-177-686	1	KABEL, , 03679--->, einschließlich / includes / avec / inklusive / compreso 03649 ; Steuerung / Distribution / Distribution / Styring / Comando
1	190003499650	14	KABELSCHOEN, , G01
2	1880770005	5	KABELSCHOEN, , G03
3	190003171715	4	SPANHULS, , A2,5x100 / K01
4	169200580204	1	PEDESTAL, , M34 ; 5-Polig / 5-pole / À 5 pôle / 5-polet / 5 polo
5	169200770223	1	CONTACTDOOS, , M47
6	1-40-277-010	1	CONTACTDOOS, , M8D
7	1-40-277-046	1	AANSLUITING, , M8S
8	1-40-277-066	1	AANSLUITING, , N4K
9	169200770300	1	VERDELER, , V11 ; 11-Polig / 11-pole / À 11 pôle / 11-polet / 11 polo
10	139900580030	1	VERDELER, , V20
11	169200770006	6	VERBINDING, , X06
12	169200770007	2	VERBINDING, , X07
13	133700770375	3	KABELSCHOEN, , X30
14	133700770376	3	VERBINDING, , X31
15	1-40-277-067	1	AANSLUITING, , Y29
16	1-40-277-047	1	AANSLUITING, , Y2A
17	169200770086	2	KABELSCHOEN, , G21
18	1-40-277-036	14	VERBINDING, , G41
19	135700770014	1	MEERV. POOLVERBINDINGSTU, , M37 ; Schwarz / Black / Noir / Sort / Nero
20	1-40-277-039	2	CONTACTDOOS, , M8Q ; 10-Polig / 10-pole / À 10 pôle / 10-polet / 10 polo
21	1-40-171-010	1	AFSCHERMKAP, , W40



## 04-10(01) CABLE HARNESS AND CONNECTIONS - CONTROL VALVE

Ref	Onderdeelnummer	Kwt	Beschrijving
A	1-41-177-380	1	, ----> 01458
	1-41-177-480	1	, 01459 ----> 02760
	1-41-177-186	1	, 02761 ----> 03141 ; Siehe nächste Seite(n) / See next page(s) / Voir page(s) suivante(s) / Se næste side(r) / Vedere pagin(a/e) sequent(e/i)
B	1-41-177-383	1	LEIDING, , ----> 02760
	1-41-177-191	1	HARNESS, , 02761 ----> ; Siehe nächste Seite(n) / See next page(s) / Voir page(s) suivante(s) / Se næste side(r) / Vedere pagin(a/e) sequent(e/i)
C	1-41-177-387	1	, ----> 02760
	1-41-177-182	1	, 02761----> ; Siehe nächste Seite(n) / See next page(s) / Voir page(s) suivante(s) / Se næste side(r) / Vedere pagin(a/e) sequent(e/i)
D	1-41-177-384	1	HARNESS, , ----> 01909
	1-41-177-193	1	HARNESS, , 01910 ----> ; Siehe nächste Seite(n) / See next page(s) / Voir page(s) suivante(s) / Se næste side(r) / Vedere pagin(a/e) sequent(e/i)
E	1-41-177-385	1	, ----> 01909
	1-41-177-192	1	HARNESS, , 01910 ----> ; Siehe nächste Seite(n) / See next page(s) / Voir page(s) suivante(s) / Se næste side ( r ) / Vedere pagin(a/e) sequent(e/i)
F	1-41-177-386	1	, ----> 02442
	1-41-177-292	1	HARNESS, , 02443 ----> ; Siehe nächste Seite(n) / See next page(s) / Voir page(s) suivante(s) / Se næste side ( r ) / Vedere pagin(a/e) sequent(e/i)
G	1-41-177-381	1	, ----> 01458
	1-41-177-481	1	NO DESCRIPTION, , 01459 ----> 01909
	1-41-177-187	1	NO DESCRIPTION, , 01910 ----> 03141 ; Siehe nächste Seite(n) / See next page(s) / Voir page(s) suivante(s) / Se næste side(r) / Vedere pagin(a/e) sequent(e/i)
H	1-41-177-382	1	, ----> 01458
	1-41-177-482	1	, 01459 ----> 02442
	1-41-177-188	1	, 02443 ----> 03141 ; Siehe nächste Seite(n) / See next page(s) / Voir page(s) suivante(s) / Se næste side(r) / Vedere pagin(a/e) sequent(e/i)
I	1-41-177-388	1	, ----> 01909
	1-41-177-183	1	, 01910 ----> ; Siehe nächste Seite(n) / See next page(s) / Voir page(s) suivante(s) / Se næste side(r) / Vedere pagin(a/e) sequent(e/i)
J	1-41-177-389	1	, ----> 01909
	1-41-177-184	1	CABLE ASSY., , 01910 ----> ; Siehe nächste Seite(n) / See next page(s) / Voir page(s) suivante(s) / Se næste side(r) / Vedere pagin(a/e) sequent(e/i)
K	1-41-177-390	1	, ----> 02442
	1-41-177-185	1	CABLE ASSY., , 02443 ----> ; Siehe nächste Seite(n) / See next page(s) / Voir page(s) suivante(s) / Se næste side(r) / Vedere pagin(a/e) sequent(e/i)
L	1-41-177-282	1	HARNESS, , ----> 03141
	1-41-177-285	1	LEIDING, , ----> 03141
	1-41-177-685	1	CABLE ASSY., , 03142 ----> ; Siehe nächste Seite(n) / See next page(s) / Voir page(s) suivante(s) / Se næste side(r) / Vedere pagin(a/e) sequent(e/i)
M	1-41-177-684	1	CABLE ASSY.,

## 04-10(01) CABLE HARNESS AND CONNECTIONS - CONTROL VALVE

Ref	Onderdeelnummer	Kwt	Beschrijving
N	1-41-177-687	1	KABEL,
O	1-41-177-690	1	CABLE ASSY., , 03142 ----> ; Siehe nächste Seite(n) / See next page(s) / Voir page(s) suivante(s) / Se næste side(r) / Vedere pagin(a/e) seguent(e/i)
P	1-41-177-691	1	CABLE ASSY., , 03142 ----> ; Siehe nächste Seite(n) / See next page(s) / Voir page(s) suivante(s) / Se næste side(r) / Vedere pagin(a/e) seguent(e/i)
Q	1-41-177-692	1	ELECTRISCHE KABEL, , 03142 ----> ; Siehe nächste Seite(n) / See next page(s) / Voir page(s) suivante(s) / Se næste side(r) / Vedere pagin(a/e) seguent(e/i)
R	1-41-177-693	1	CABLE ASSY., , 03142 ----> ; Siehe nächste Seite(n) / See next page(s) / Voir page(s) suivante(s) / Se næste side(r) / Vedere pagin(a/e) seguent(e/i)
S	1-41-177-694	1	CABLE ASSY., , 03142 ----> ; Siehe nächste Seite(n) / See next page(s) / Voir page(s) suivante(s) / Se næste side(r) / Vedere pagin(a/e) seguent(e/i)
T	1-41-177-695	1	CABLE ASSY., , 03142 ----> ; Siehe nächste Seite(n) / See next page(s) / Voir page(s) suivante(s) / Se næste side(r) / Vedere pagin(a/e) seguent(e/i)
U	1-41-177-697	1	KABEL, , 03142----> ; Siehe nächste Seite(n) / See next page(s) / Voir page(s) suivante(s) / Se næste side(r) / Vedere pagin(a/e) seguent(e/i)
V	1-41-177-698	1	KABEL, , 03142 ----> ; Siehe nächste Seite(n) / See next page(s) / Voir page(s) suivante(s) / Se næste side(r) / Vedere pagin(a/e) seguent(e/i)
W	1-41-177-699	1	CABLE ASSY., , 03142 ---->, Siehe nächste Seite(n) / See next page(s) / Voir page(s) suivante(s) / Se næste side(r) / Vedere pagin(a/e) seguent(e/i)
1	1-40-158-606	1	SCHAKELAAR, , ( 1>0-2 ) ; Ersetzt / Replaces / Remplace / Udskiftet / Sostituisce 139900580069
2	139900580079	1	EMBLEEM, , Grün / Green / Vert / Grøn / Verde
3	1-34-144-172	2	HUIS, , Ersetzt / Replaces / Remplace / Udskiftet / Sostituisce 133700710009
4	190003171226	1	MANTEL, FLEXIBEL, , 400mm
4	190003171226	1	MANTEL, FLEXIBEL, , 400mm
5	1-40-271-134	1	SYMBOLLEN, , Grün / Green / Vert / Grøn / Verde
6	1-40-271-135	1	SYMBOLLEN, , Gelb / Yellow / Jaune / Gul / Giallo
7	1-40-271-138	1	SYMBOLLEN, , Grün / Green / Vert / Grøn / Verde
8	1-40-271-139	1	SYMBOLLEN, , Gelb / Yellow / Jaune / Gul / Giallo
9	190003860218	2	SCHROEF, , M5x30-8.8-A2R
10	133700580053	2	AFSTANDSRING,
11	190003171697	X	BEVESTIGINGSKLEM, , A5x180 / K02
12	1-40-158-607	1	SCHAKELAAR, , ( 1>0<2 ) ; Ersetzt / Replaces / Remplace / Udskiftet / Sostituisce 139900580068
13	1-40-271-136	1	DECAL, , Grün / Green / Vert / Grøn / Verde
14	1-40-271-137	1	DECAL, , Gelb / Yellow / Jaune / Gul / Giallo
15	825-1405	2	MOER, M5, CI 8,
16	190003936100	2	SLUITRING, , 5,3-140HV-A3C
17	1-40-277-009	1	CONTACTDOOS, , N4A
18	169200770006	6	VERBINDING, , X06
19	1-40-171-131	1	LEVER, CONTROL, , 800mm ; Ersetzt / Replaces / Remplace / Udskiftet / Sostituisce1-40-171-031
20	1-40-771-001	1	BLAASBALG,
21	1-40-271-142	1	SYMBOLLEN, , Grün / Green / Vert / Grøn / Verde

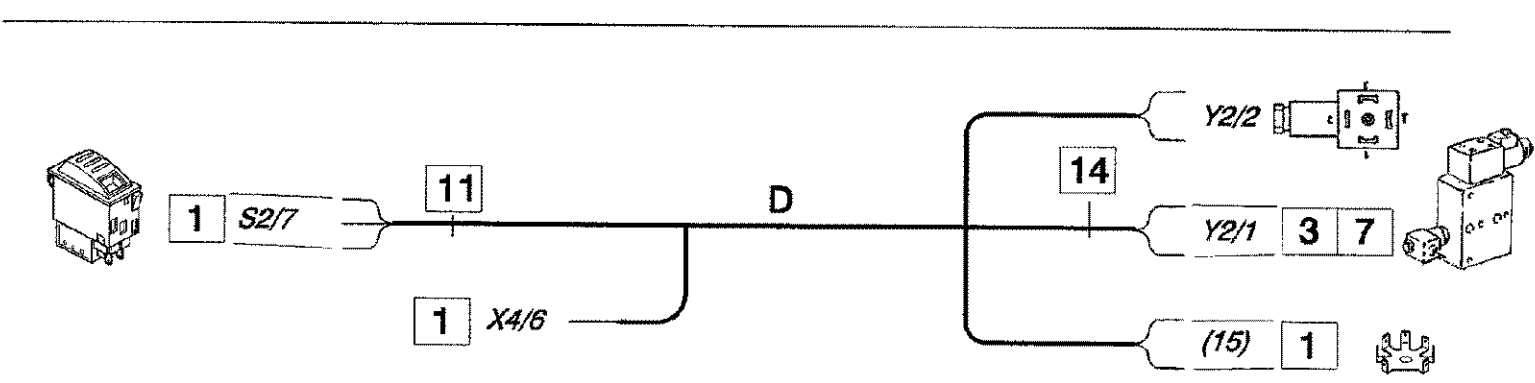
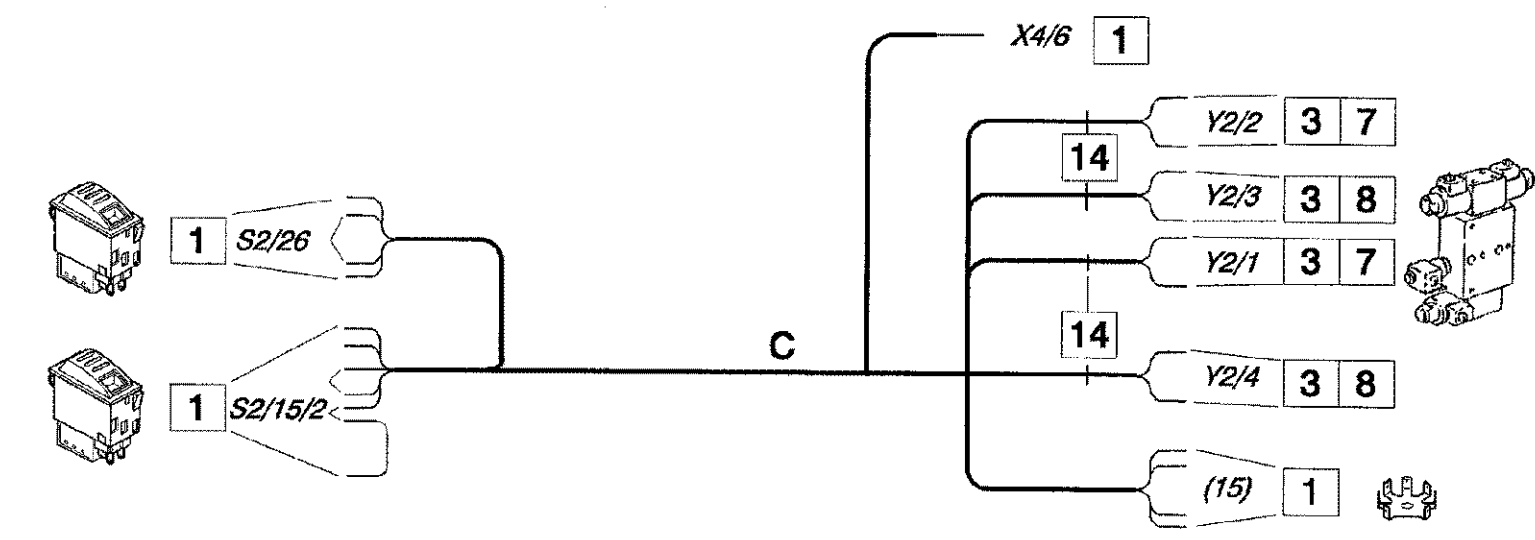
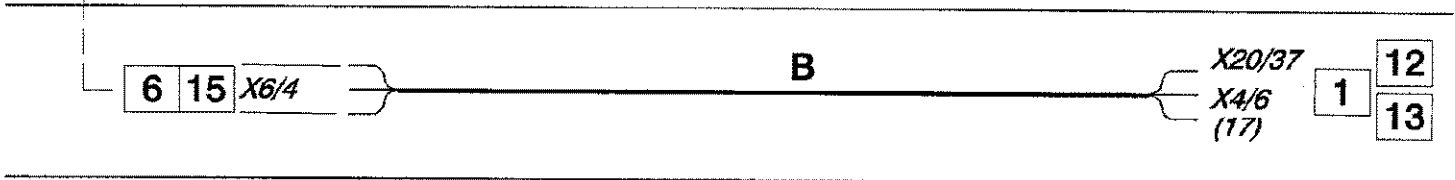
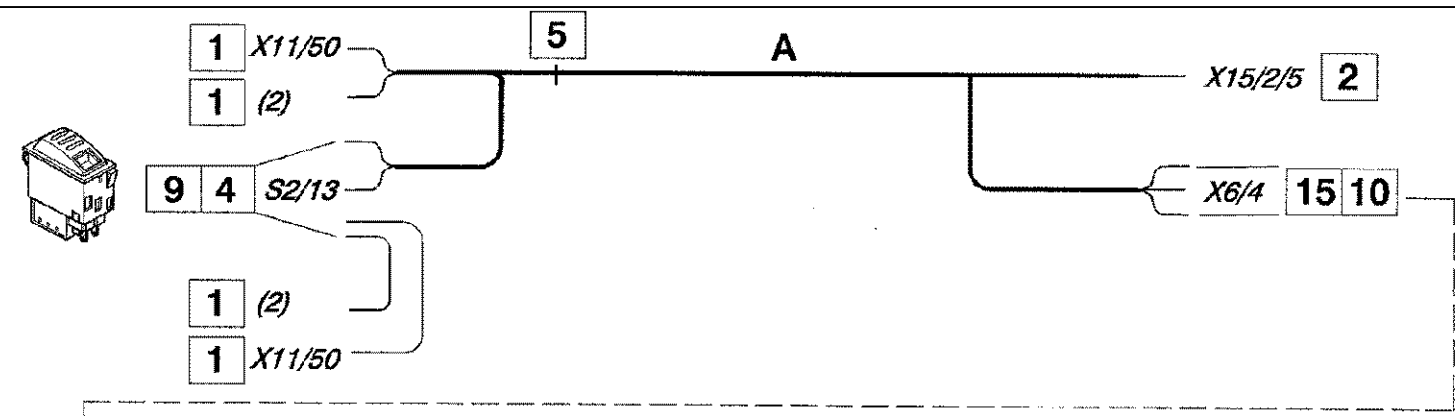
## 04-10(01) CABLE HARNESS AND CONNECTIONS - CONTROL VALVE

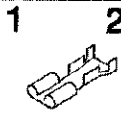
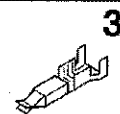


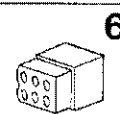
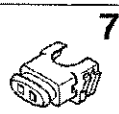
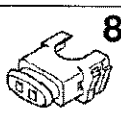

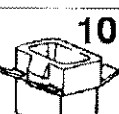

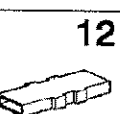


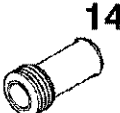
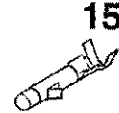

Ref	Onderdeelnummer	Kwt	Beschrijving
22	1-41-171-190	1	KONZOOOL, , ----> 01723
22	1-41-171-192	1	KONZOOOL, , 01724 ---->
23	1-40-271-143	1	SYMBOLLEN, , Grün - Gelb / Green - Yellow / Vert - Jaune / Grøn - Gul / Verde - Giallo
24	190003802506	1	SCHROEF, M10x16-8.8
25	190003930271	1	SCHIJF, , A10,5-140HV-A3C
26	1-40-158-615	1	SCHAKELAAR, , ( 1>0<2 ) , Ersetzt / Replaces / Remplace / Udkiftet / Sostituisce 1-40-158-004
27	1-40-158-609	1	SCHAKELAAR, , ( 0-1 ) ; Ersetzt / Replaces / Remplace / Udkiftet / Sostituisce 1-40-158-608, 139900580067
28	139900580111	1	SYMBOLLEN,
29	139900580075	1	SCHAKELAAR, , ( 0/ - 1 ) ; Sicherheit / Security / Securite / Sikkerhed / Sicurezza
30	1-40-158-055	1	DECAL,
31	1-35-195-141	1	ZIJWAND,
32	1-40-258-061	1	SCHAKELAAR,
33	1-40-258-062	1	SCHAKELAAR,
34	1-34-677-644	1	DECAL,
35	1-40-277-052	1	DRAAGARM,
36	190003840086	1	ZELFTAPPENDE SCHROEF, Cross Pan Hd, M4.3 x 13, , BL.St.4,2-C-H-A3R
37	1-40-258-066	1	DECAL, , Ersetzt / Replaces / Remplace / Udkiftet / Sostituisce 139900580077 ; Grün / Green / Vert / Grøn / Verde
38	1-41-158-016	1	DECAL, , Sicherheit / Security / Securite / Sikkerhed / Sicurezza
39	179100770023	1	VERDELER, , V04 ; 4-Polig / 4-pole / À 4 pôle / 4-polet / 4 polo
40	139900580030	1	VERDELER, , V20
41	190003843141	2	ZELFTAPPENDE SCHROEF, Cross Pan Hd, M4.2 x 16, , ST4,2x16
42	169200580087	1	AANSLUITING,
43	3141107R1	1	LAMP, W5/1.2, 12V, 1.2W,
44	1125770006	1	DIODE, , 3A, 1000V
45	16043224	3	BOUT, Hex, M8 x 16, 8.8, Full Thd,
46	190003935469	1	SLUITRING, , A8,2-A3C
47	133700710032	1	GUIDE, LEVERS,
49	190003888451	1	MOER, , VM8-8
50	190003930261	1	SLUITRING, , A8,4
51	135700770206	X	ELECTRISCHE ISOLATIE, , J07 ; 1-Polig / 1-pole / À 1 pôle / 1-polet / 1 polo
52	1-41-177-196	1	COVER, PROTECTIVE,
53	190003844810	3	SCHROEF, , ST3,5X16-N-H-A3C
54	1-41-177-197	1	ISOLATIE,ALGEMEEN,
55	133700770066	X	DICHTINGSSTUK,
56	1397710020	X	FITTING/RECIPIËNT, , P04
57	1397710025	X	DICHTINGSSTUK,
58	1125770004	X	DIODE,
59	135700770014	X	MEERV. POOLVERBINDINGSTU, , M37 ; Schwarz / Black / Noir / Sort / Nero
60	1-40-171-010	X	AFSCHEMKNAP, , W40

M968 STEYR TRACTOR / --->04939 (6/97-3/99) - Elektrisch System

04-10(01) CABLE HARNESS AND CONNECTIONS - CONTROL VALVE

Ref	Onderdeelnummer	Kwt	Beschrijving
61	169200770086	X	KABELSCHOEN, , G21
62	1-41-171-280	1	DECAL, , Grün / Green / Vert / Grøn / Verde
63	1-41-171-281	1	DECAL, , Gelb / Yellow / Jaune / Gul / Giallo

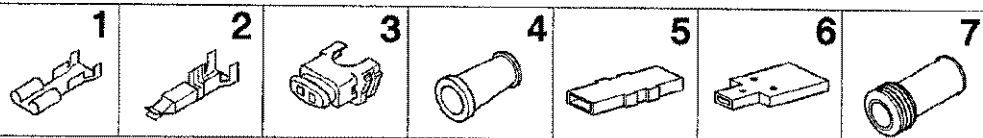
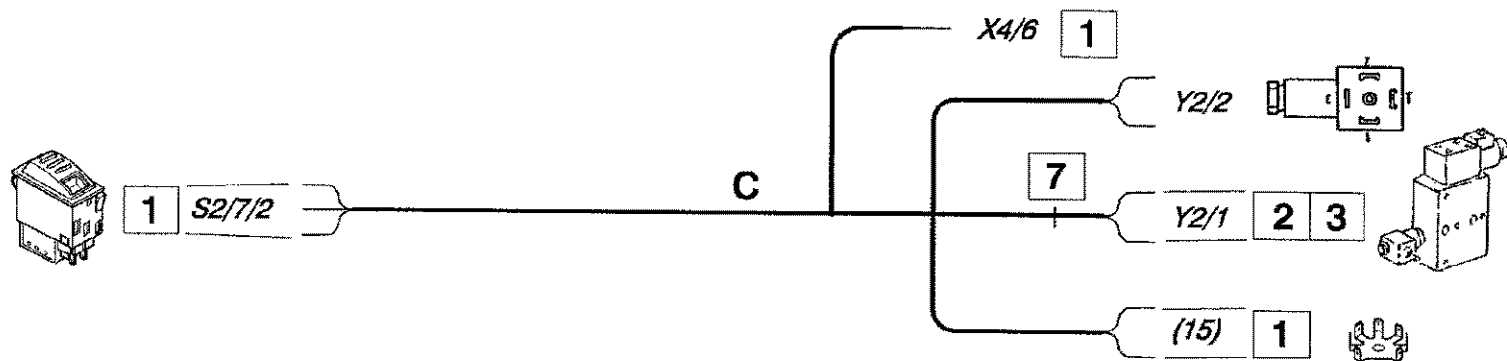
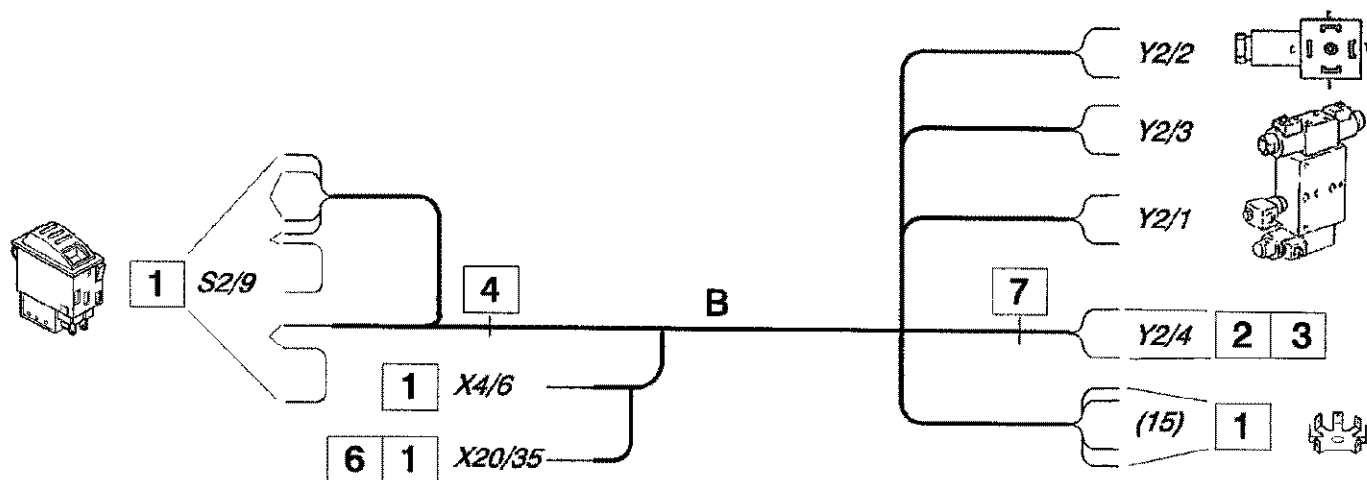
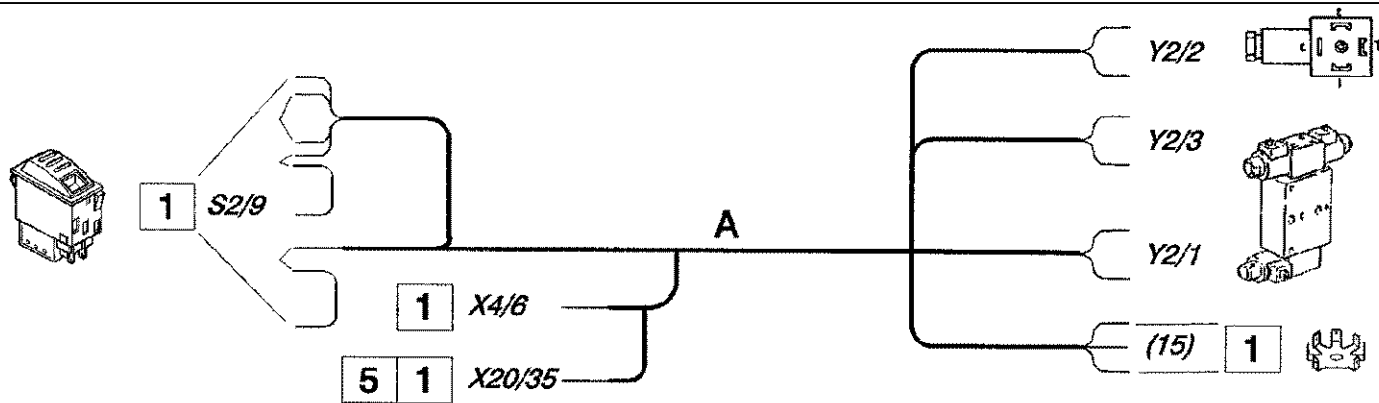


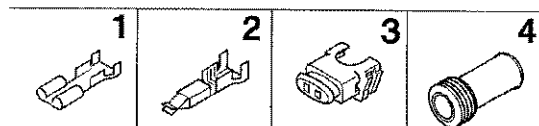
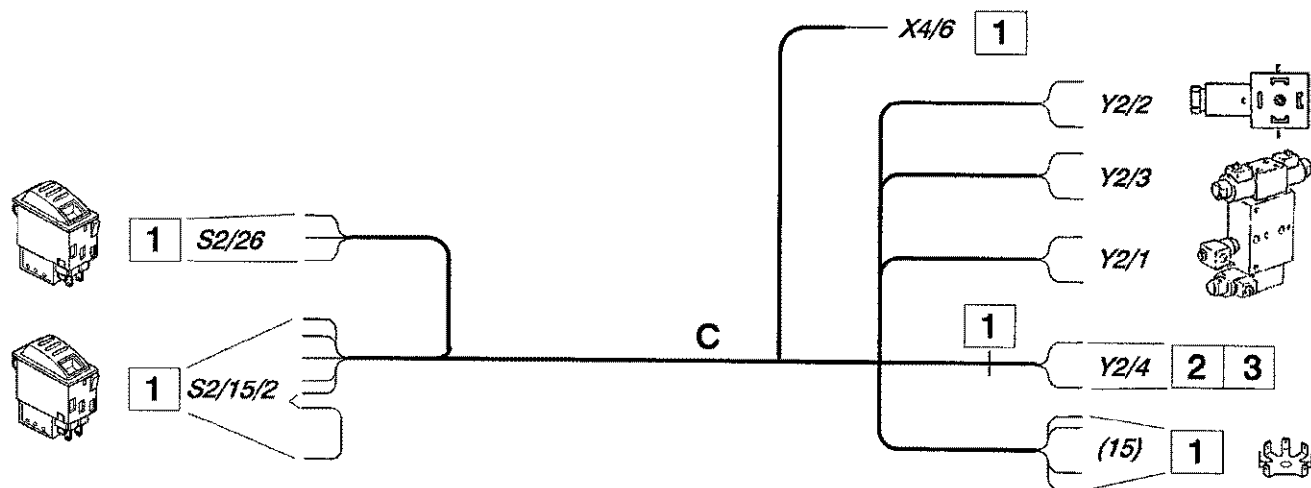
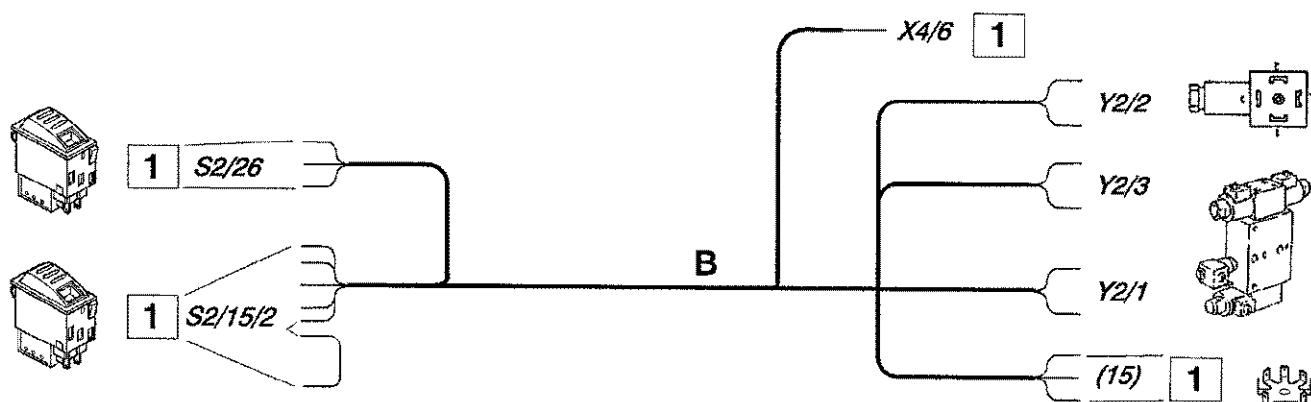
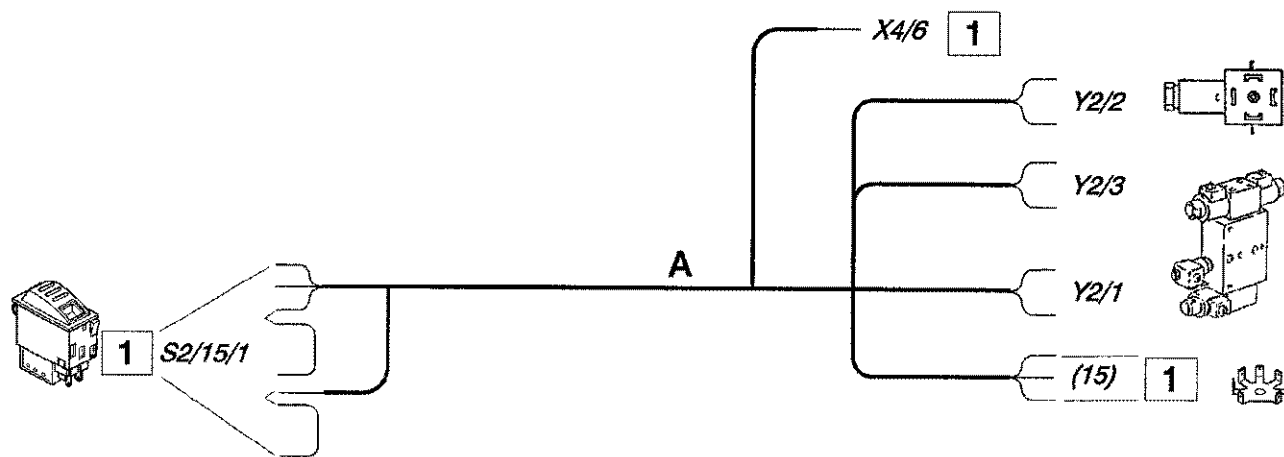
## 04-11(01) CABLE HARNESS AND CONNECTIONS - CONTROL VALVE

Ref	Onderdeelnummer	Kwt	Beschrijving
A	1-41-177-282	1	HARNESS, , Stromversorgung Zusatzsteuergerät / Current supply Auxiliary valve / Alimentation en courant Valve auxiliaire / Strømforsyning Ekstra styreenhed / Alimentazione elettrica Centralina supplementare
B	1-41-177-285	1	LEIDING, , Stromversorgung Zusatzsteuergerät / Current supply Auxiliary valve / Alimentation en courant Valve auxiliaire / Strømforsyning Ekstra styreenhed / Alimentazione elettrica Centralina supplementare
C	1-41-177-292	1	HARNESS, , Zusatzsteuergerät doppelwirkend mit 1 Sperrblock Griff / Auxiliary valve double acting with 1 check valve / Valve auxiliaire double effet avec 1 valve de contrôle Poignée de Manette , Ekstra styreenhed dobbelt virkende med 1 kontraventil Greb / Centralina supplementare a doppio effetto con 1 valvola di controllo Maniglia
D	1-41-177-380	1	, Zusatzsteuergerät einfach Multi-Hebel / Auxiliary valve single Multi-lever / Valve auxiliaire simple Levier de multi / Ekstra styreenhed enkelt Multi-funktionshåndtaget / Centralina supplementare semplice Multi leva
1	190003499650	21	KABELSCHOEN, , G01
2	1880770005	1	KABELSCHOEN, , G03
3	169200770086	10	KABELSCHOEN, , G21
4	1-40-277-036	4	VERBINDING, , G41
5	190003171715	X	SPANHULS, , A2,5x100 / K01
6	179100770106	1	HUIS, , M19 ; 6-Polig / 6-pole / À 6 pôle / 6-polet / 6 polo
7	135700770014	3	MEERV. POOLVERBINDINGSTU, , M37 ; Schwarz / Black / Noir / Sort / Nero
8	135700770015	2	AANSLUITING, , M38 ; Weiss / White / Blanc / Hvid / Bianco
9	1-40-277-039	1	CONTACTDOOS, , M8Q ; 10-Polig / 10-pole / À 10 pôle / 10-polet / 10 polo
10	179100770108	1	HUIS, , N11
11	190003120098	1	KABELDOORGANG, , 8x1/20
12	199000770015	1	MEERV. POOLVERBINDINGSTU, , V02 ; 2-Polig / 2-pole / À 2 pôle / 2-polet / 2 polo
13	179100770023	1	VERDELER, , V04 ; 4-Polig / 4-pole / À 4 pôle / 4-polet / 4 polo
14	1-40-171-010	7	AFSCHERMKAP, , W40
15	1397770023	3	PEN, KLEIN, , X03
16	1397770024	3	LAGERBUS, , X04

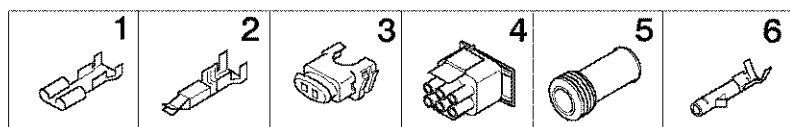
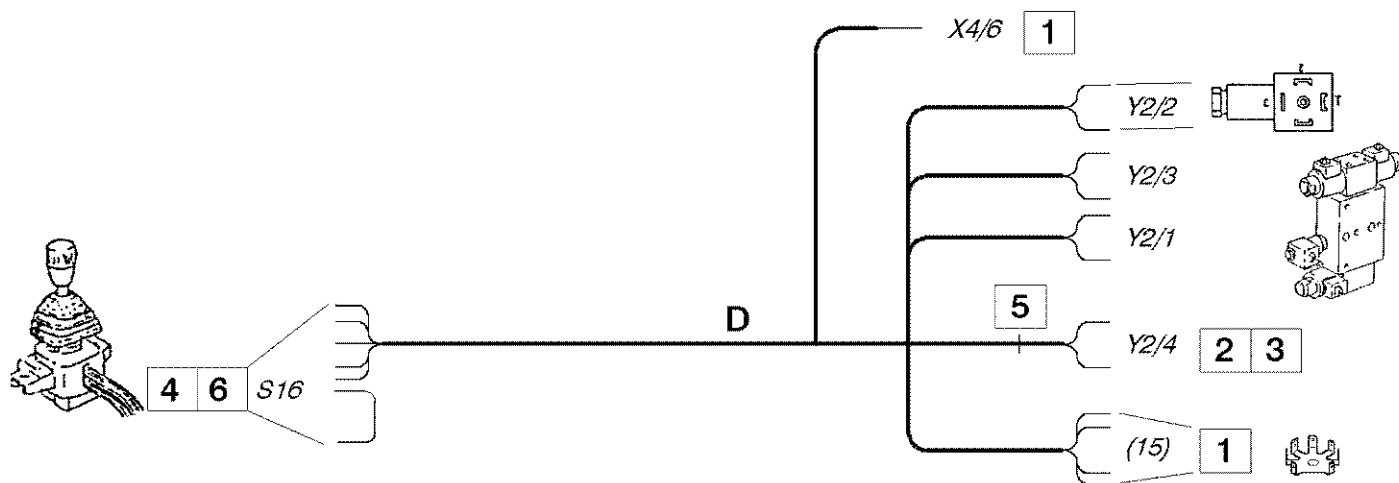
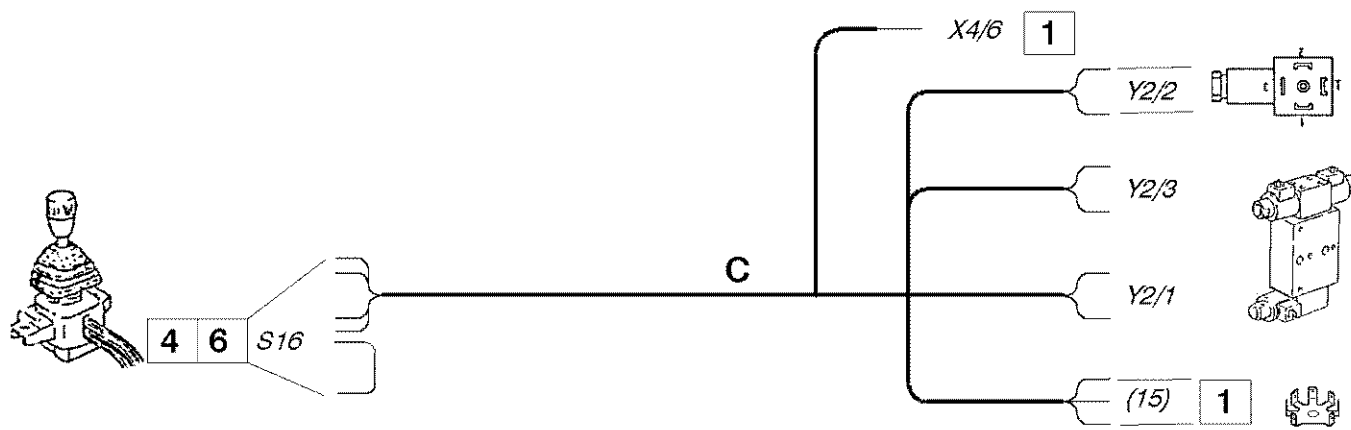
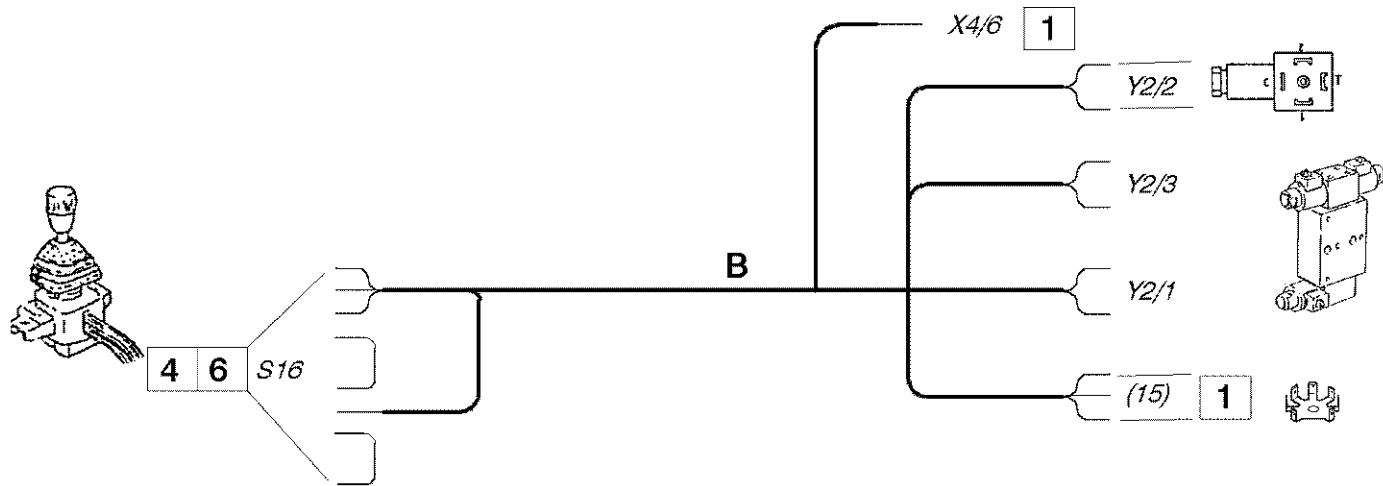
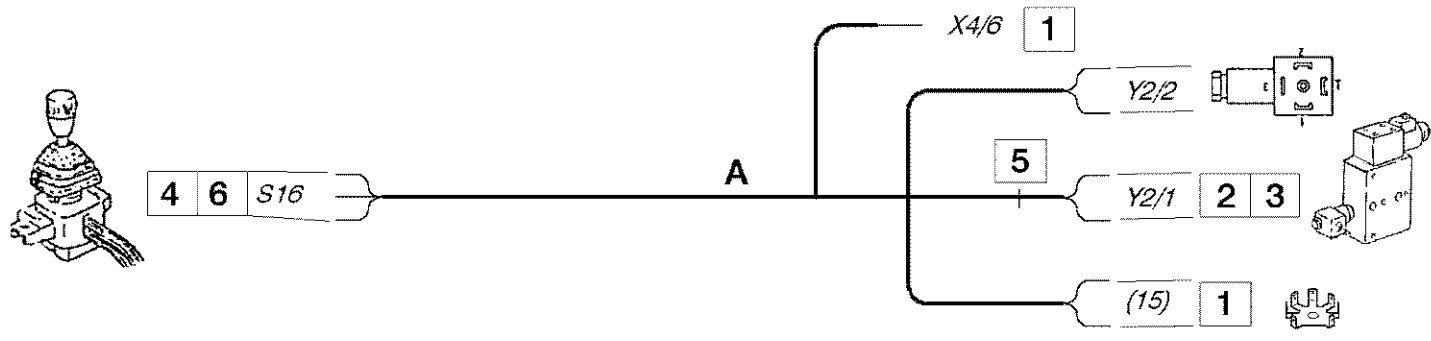




Ref	Onderdeelnummer	Kwt	Beschrijving
A	1-41-177-381	1	, Zusatzsteuergerät doppelwirkend Multi-Hebel /Auxiliary valve double acting Multi-lever / Valve auxiliaire double effet Levier de multi / Ekstra styreenhed dobbelt virkende Multi-funktionshåndtaget / Centralina supplementare a doppio effetto Multi leva
B	1-41-177-382	1	, Zusatzsteuergerät doppelwirkend mit 1 Sperrblock Multi-Hebel / Auxiliary valve double acting with 1 check valve Multi-lever / Valve auxiliaire double effet avec 1 valve de contrôle Levier de multi , Ekstra styreenhed dobbelt virkende med 1 kontraventil Multi-funktionshåndtaget / Centralina supplementare a doppio effetto con 1 valvola di controllo Multi leva
C	1-41-177-383	1	LEIDING, , Zusatzsteuergerät einfachwirkend Griff / Auxiliary valve single acting Grip / Valve auxiliaire simple effet Poignée de Manette / Ekstra styreenhed enkeltvirkende Greb / Centralina supplementare a semplice effetto Maniglia
1	190003499650	22	KABELSCHOEN, , G01
2	169200770086	12	KABELSCHOEN, , G21
3	135700770014	4	MEERV. POOLVERBINDINGSTU, , M37 ; Schwarz / Black / Noir / Sort / Nero
4	190003120098	2	KABELDOORGANG, , 8x1/20
5	199000770015	1	MEERV. POOLVERBINDINGSTU, , V02 ; 2-Polig / 2-pole / À 2 pôle / 2-polet / 2 polo
6	179100770022	1	VERBINDING, , V03 ; 3-Polig / 3-pole / À 3 pôle / 3-polet / 3 polo
7	1-40-171-010	7	AFSCHERMKAP, , W40



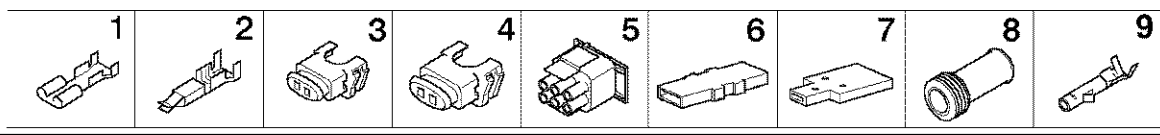
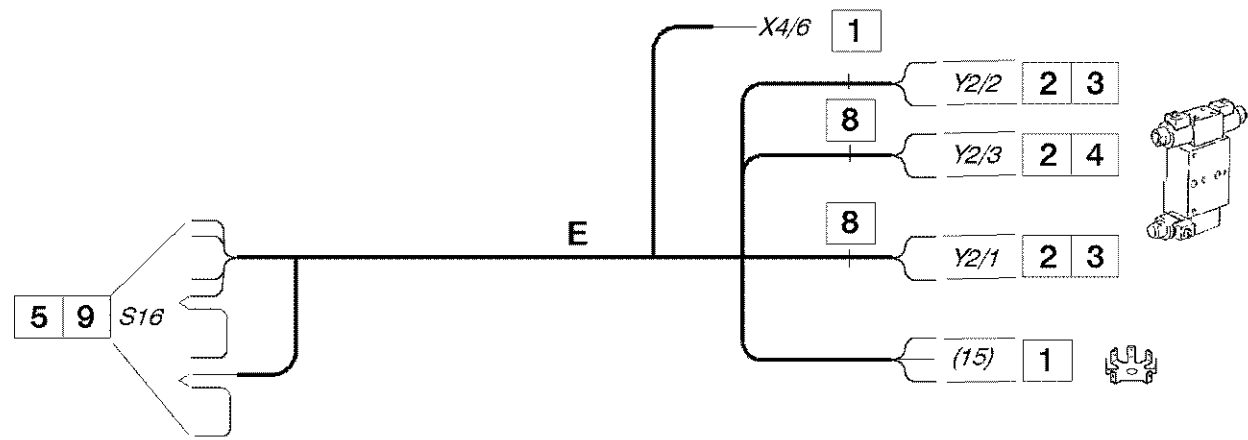
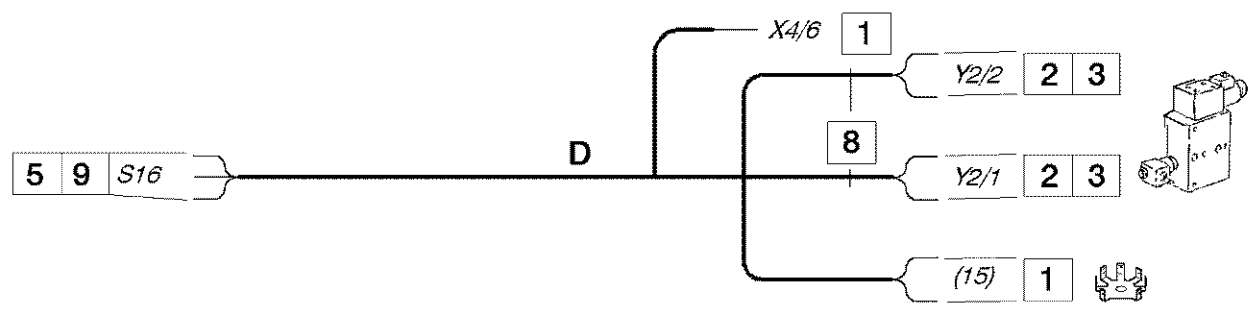
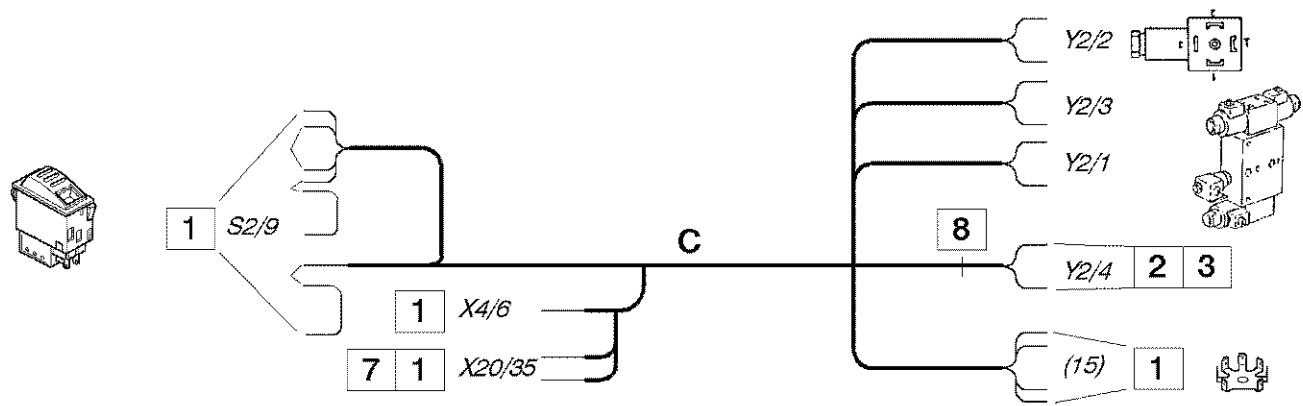
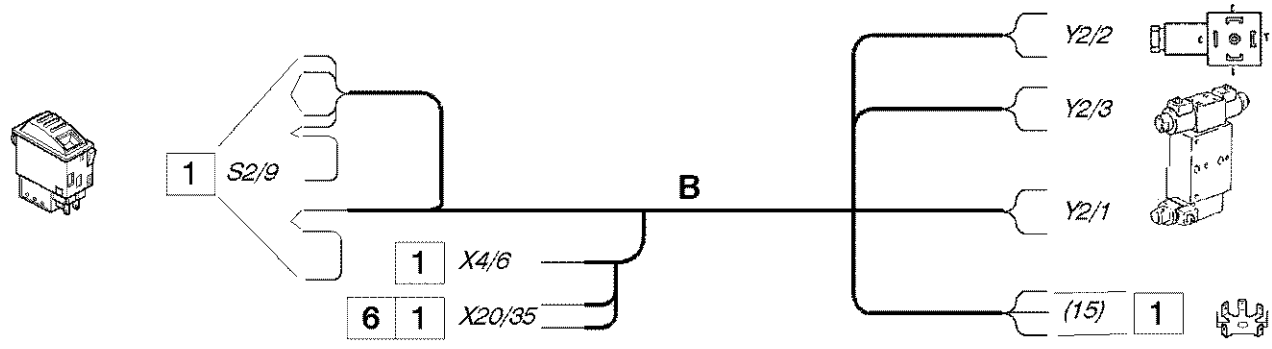
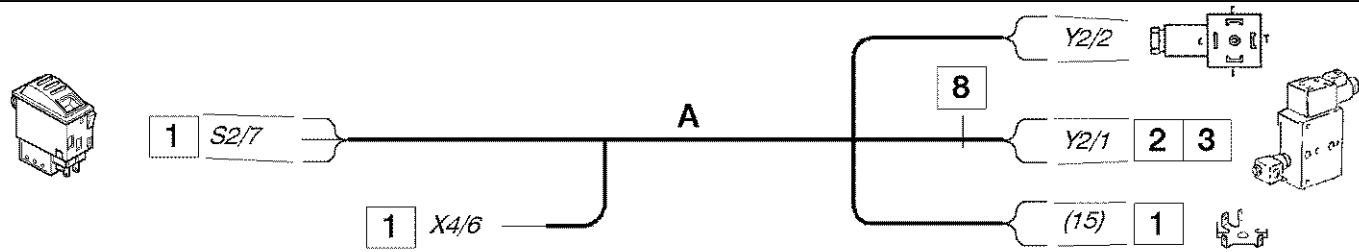
Ref	Onderdeelnummer	Kwt	Beschrijving
A	1-41-177-384	1	HARNESS, , Zusatzsteuergerät doppelwirkend Griff / Auxiliairy valve double acting Grip / Valve auxiliaire double effet Poignée de Manette / Ekstra styreenhed dobbelt virkende Greb / Centralina supplementare a doppio effetto Maniglia
B	1-41-177-385	1	, Zusatzsteuergerät doppelwirkend mit Schwimmstellung Griff / Auxiliairy valve double acting with floating position Grip / Valve auxiliaire double effet avec position flottante Poignée de Manette , Ekstra styreenhed dobbelt virkende med svømme-position Greb / Centralina supplementare a doppio effetto con posizione flottante Maniglia
C	1-41-177-386	1	, Zusatzsteuergerät doppelwirkend mit 1 Sperrblock Griff / Auxiliairy valve double acting with 1 check valve Grip / Valve auxiliaire double effet avec 1 valve de contrôle Poignée de Manette , Ekstra styreenhed dobbelt virkende med 1 kontra-ventil Greb / Centralina supplementare a doppio effetto con 1 valvola di controllo Maniglia
1	190003499650	33	KABELSCHOEN, , G01
2	169200770086	2	KABELSCHOEN, , G21
3	135700770014	1	MEERV. POOLVERBINDINGSTU, , M37 ; Schwarz / Black / Noir / Sort / Nero
4	1-40-171-010	1	AFSCHERMKAP, , W40



## 04-14(01) CABLE HARNESS AND CONNECTIONS - CONTROL VALVE

Ref	Onderdeelnummer	Kwt	Beschrijving
A	1-41-177-387	1	, Zusatzsteuergerät einfachwirkend / Auxiliary valve single acting / Valve auxiliaire simple effet / Ekstra styreenhed enkeltvirkende / Centralina supplementare a semplice effetto
B	1-41-177-388	1	, Zusatzsteuergerät doppeltwirkend / Auxiliary valve double acting / Valve auxiliaire double effet / Ekstra styreenhed dobbelt virkende / Centralina supplementare a doppio effetto
C	1-41-177-389	1	, Zusatzsteuergerät doppeltwirkend mit Schwimmstellung / Auxiliary valve double acting with floating position / Valve auxiliaire double effet avec position flottante , Ekstra styreenhed dobbelt virkende med svømmeposition / Centralina supplementare a doppio effetto con posizione flottante
D	1-41-177-390	1	, Zusatzsteuergerät doppeltwirkend mit 1 Sperrblock und Schwimmstellung / Auxiliary valve double acting with 1 check valve and floating position / Valve auxiliaire double effet avec 1 valve de contrôle et position flottante , Ekstra styreenhed dobbelt virkende med 1 kontraventil og svømmeposition / Centralina supplementare a doppio effetto con 1 valvola di controllo e posizione flottante
1	190003499650	14	KABELSCHOEN, , G01
2	169200770086	4	KABELSCHOEN, , G21
3	135700770014	2	MEERV. POOLVERBINDINGSTU, , M37 : Schwarz / Black / Noir / Sort / Nero
4	1-40-277-010	4	CONTACTDOOS, , M8D
5	1-40-171-010	2	AFSCHERMKAP, , W40
6	169200770007	23	VERBINDING, , X07

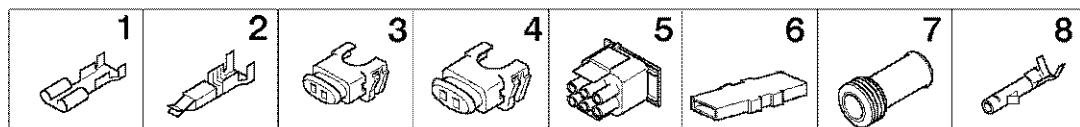
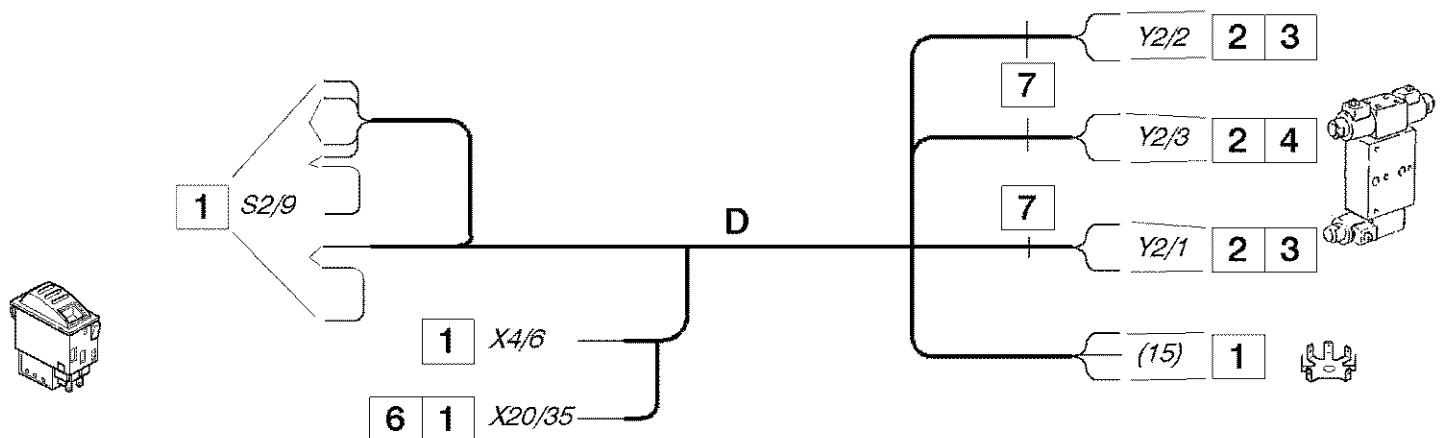
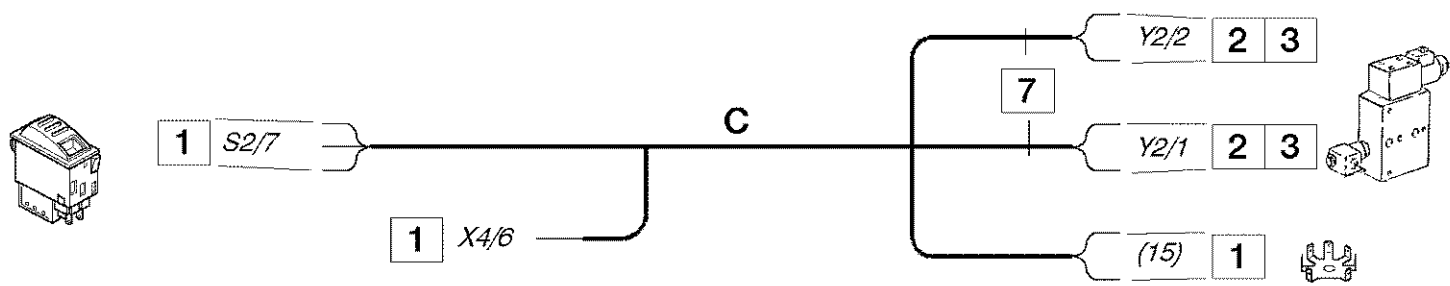
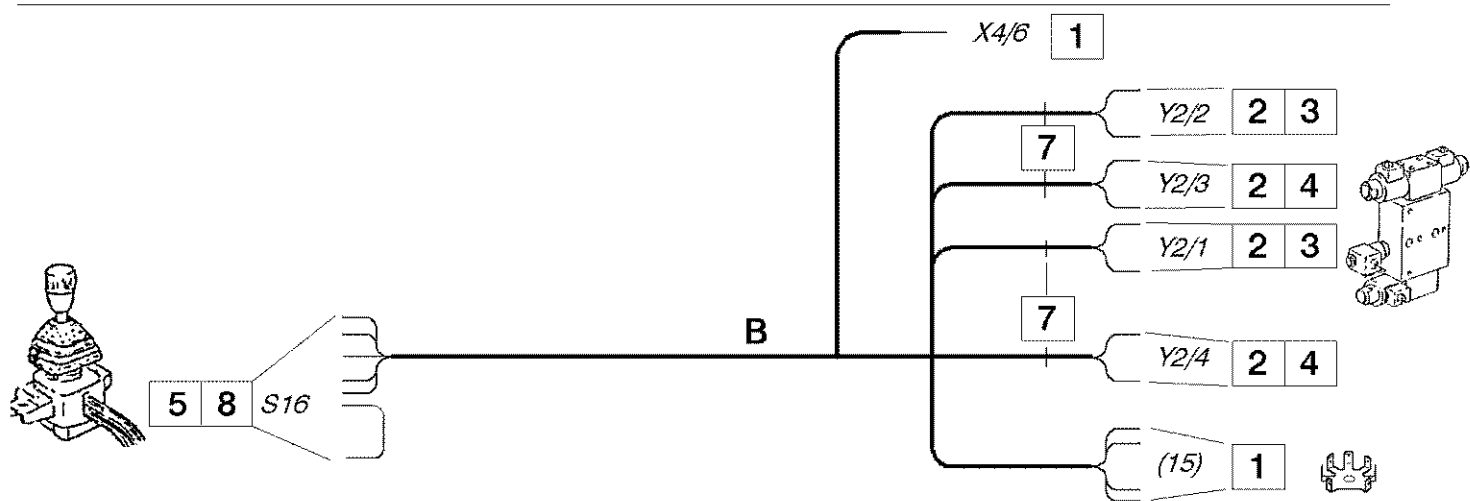
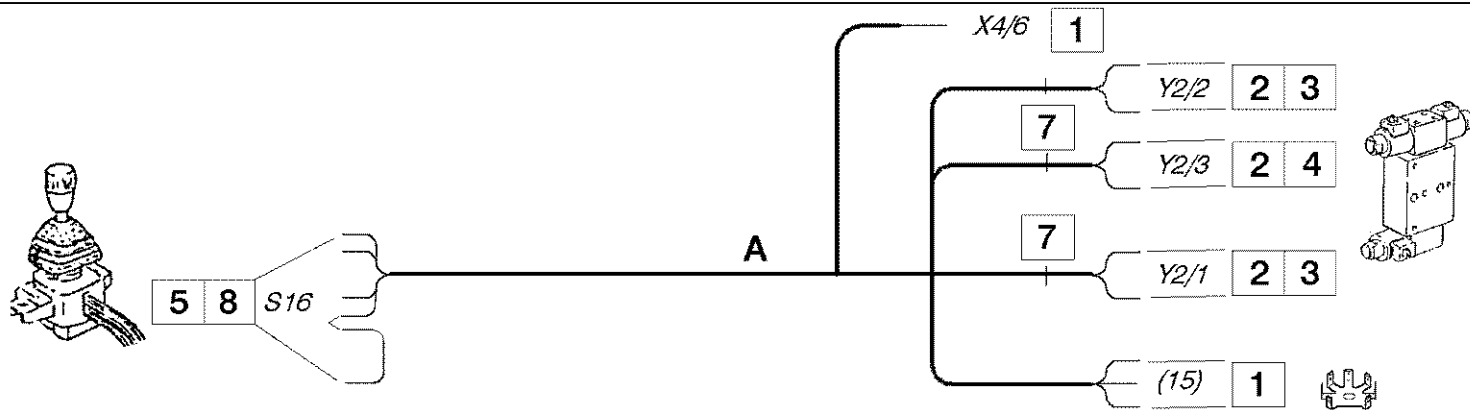
04-15(01) CABLE HARNESS AND CONNECTIONS - CONTROL VALVE



## 04-15(01) CABLE HARNESS AND CONNECTIONS - CONTROL VALVE

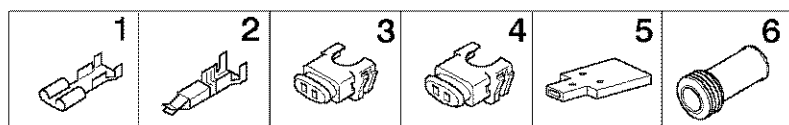
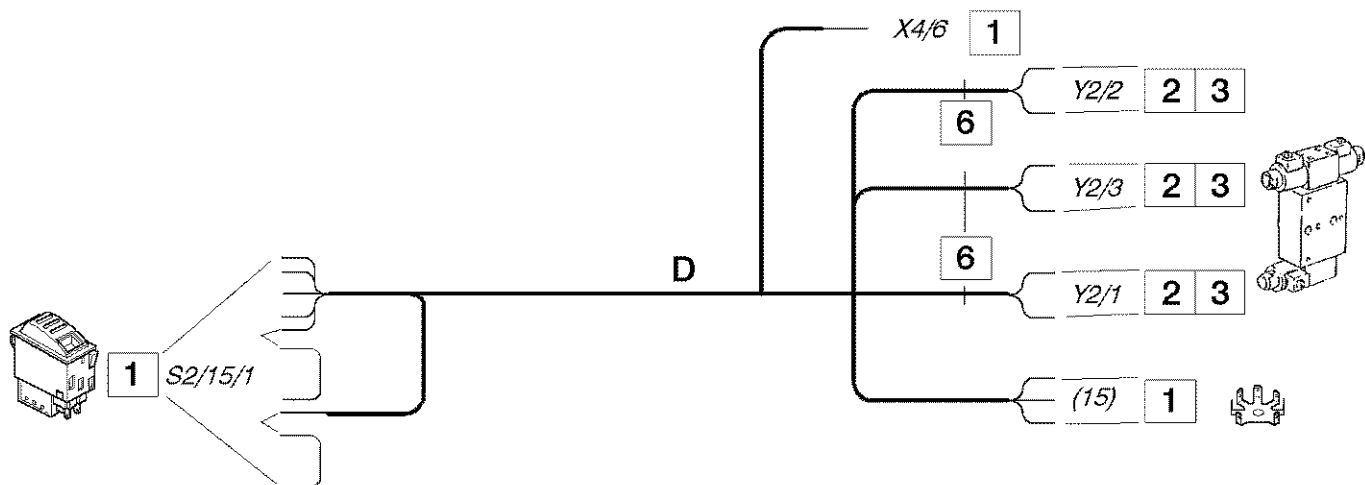
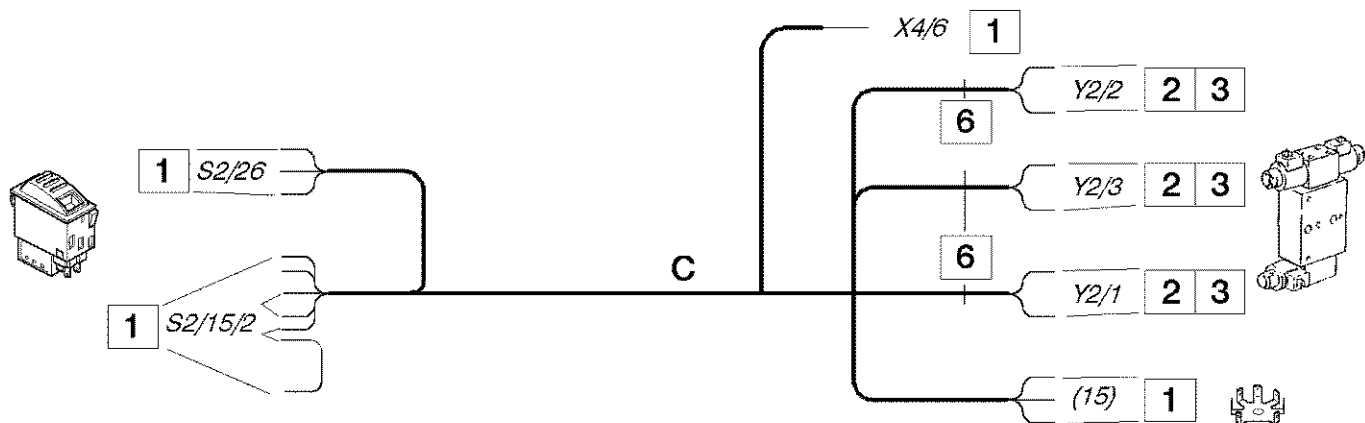
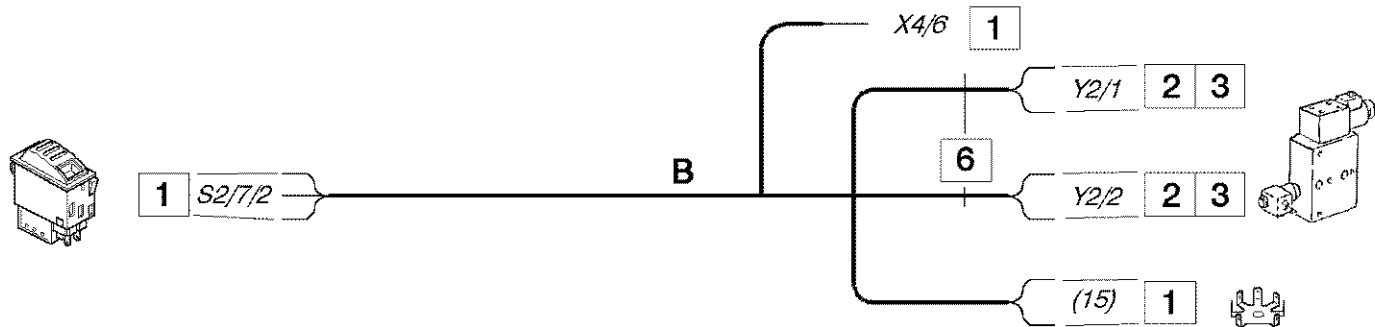
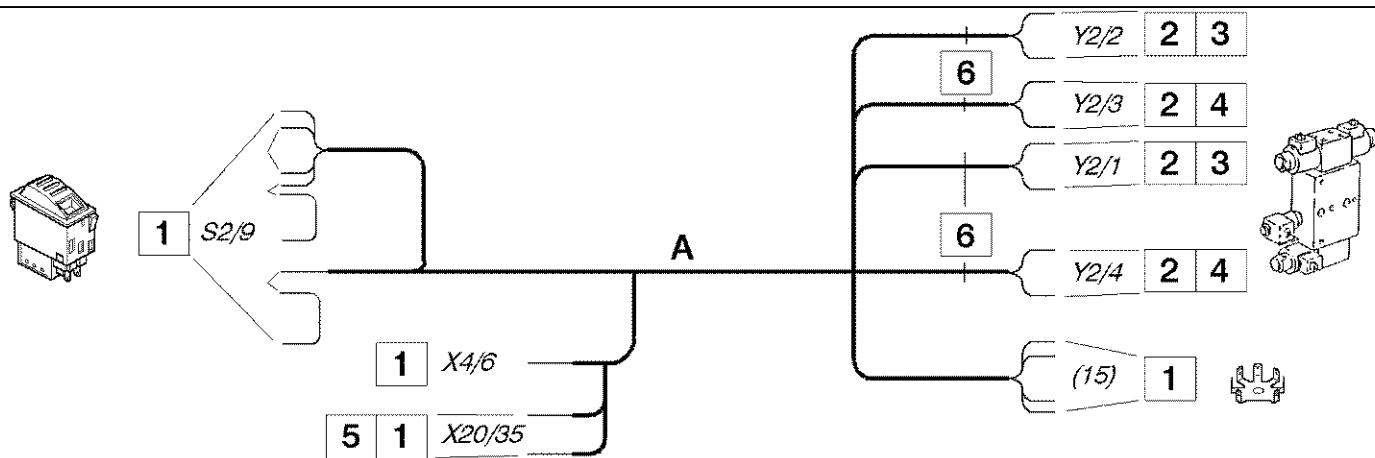
Ref	Onderdeelnummer	Kwt	Beschrijving
A	1-41-177-480	1	, Zusatzsteuergerät einfachwirkend Multi-Hebel / Auxiliairy valve single acting Multi-lever / Valve auxiliaire simple effet Levier de multi / Ekstra styreenhed enkeltvirkende Multi-funktionshåndtaget / Centralina supplementare a semplice effetto Multi leva
B	1-41-177-481	1	NO DESCRIPTION, , Zusatzsteuergerät doppelwirkend Multi-Hebel / Auxiliairy valve double acting Multi-lever / Valve auxiliaire double effet Levier de multi / Ekstra styreenhed dobbelt virkende Multi-funktionshåndtaget / Centralina supplementare a doppio effetto Multi leva
C	1-41-177-482	1	, Zusatzsteuergerät doppelwirkend mit 1 Sperrblock Multi-Hebel / Auxiliairy valve double acting with 1 check valve Multi-lever / Valve auxiliaire double effet avec 1 valve de contrôle Levier de multir , Ekstra styreenhed dobbelt virkende med 1 kontraventil Multi-funktionshåndtaget / Centralina supplementare a doppio effetto con 1 valvola di controllo Multi leva
D	1-41-177-182	1	, Zusatzsteuergerät einfachwirkend / Auxiliairy valve single acting / Valve auxiliaire simple effet / Ekstra styreenhed enkeltvirkende / Centralina supplementare a semplice effetto
E	1-41-177-183	1	, Zusatzsteuergerät doppelwirkend / Auxiliairy valve double acting / Valve auxiliaire double effet / Ekstra styreenhed dobbelt virkende / Centralina supplementare a doppio effetto
1	190003499650	X	KABELSCHOEN, , G01
2	169200770086	14	KABELSCHOEN, , G21
3	135700770014	6	MEERV. POOLVERBINDINGSTU, , M37 ; Schwarz / Black / Noir / Sort / Nero
4	135700770015	1	AANSLUITING, , M38 ; Weiss / White / Blanc / Hvid / Bianco
5	1-40-277-010	2	CONTACTDOOS, , M8D
6	199000770015	1	MEERV. POOLVERBINDINGSTU, , V02 ; 2-Polig / 2-pole / À 2 pôle / 2-polet / 2 polo
7	179100770022	1	VERBINDING, , V03 ; 3-Polig / 3-pole / À 3 pôle / 3-polet / 3 polo
8	1-40-171-010	7	AFSCHERMKAP, , W40
9	169200770007	9	VERBINDING, , X07





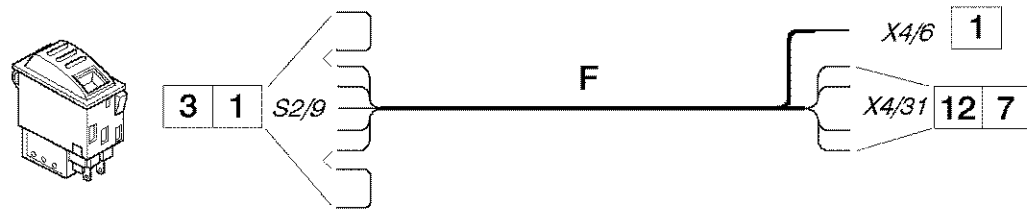
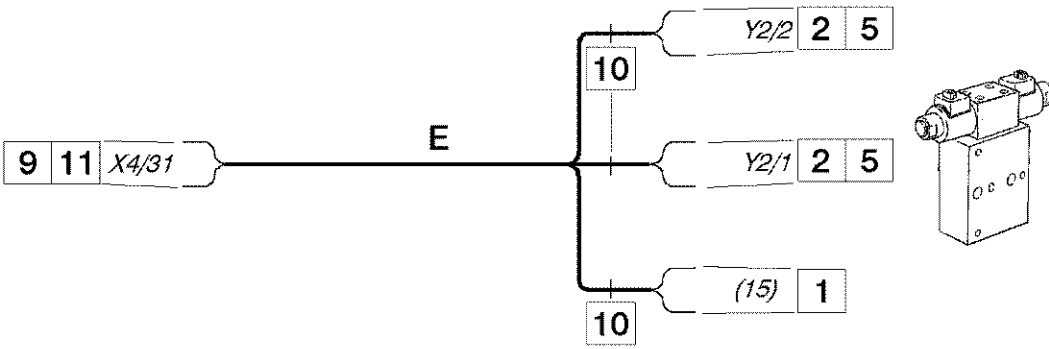
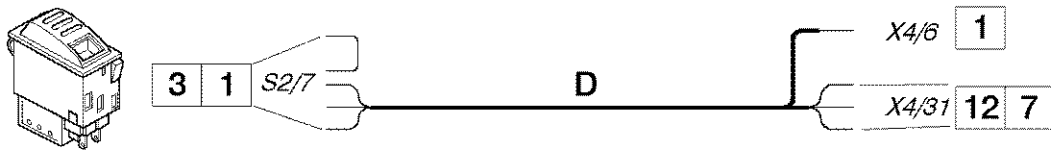
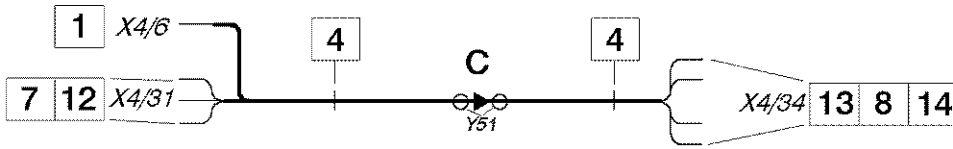
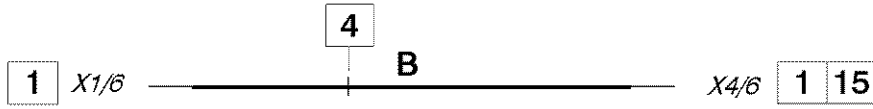
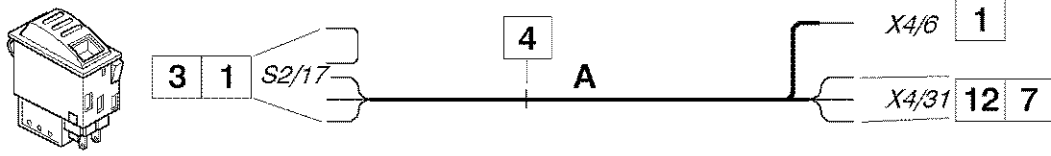
## 04-16(01) CABLE HARNESS AND CONNECTIONS - CONTROL VALVE

Ref	Onderdeelnummer	Kwt	Beschrijving
A	1-41-177-184	1	CABLE ASSY., , Zusatzsteuergerät doppelwirkend mit Schwimmstellung / Auxiliairy valve double acting with floating position / Valve auxiliaire double effet avec position flottante , Ekstra styreenhed dobbelt virkende med svømme-position / Centralina supplementare a doppio effetto con posizione flottante
B	1-41-177-185	1	CABLE ASSY., , Zusatzsteuergerät doppelwirkend mit 1 Sperrblock und Schwimmstellung / Auxiliairy valve double acting with 1 check valve and floating position / Valve auxiliaire double effet avec 1 valve de contrôle et position flottante , Ekstra styreenhed dobbelt virkende med 1 kontraventil og svømme-position / Centralina supplementare a doppio effetto con 1 valvola di controllo e posizione flottante
C	1-41-177-186	1	, Zusatzsteuergerät einfachwirkend Multi-Hebel / Auxiliairy valve single acting Multi-lever / Valve auxiliaire simple effet Levier de multi / Ekstra styreenhed enkeltvirkende Multi-funktionshåndtaget / Centralina supplementare a semplice effetto Multi leva
D	1-41-177-187	1	NO DESCRIPTION, , Zusatzsteuergerät doppelwirkend Multi-Hebel / Auxiliairy valve double acting Multi-lever / Valve auxiliaire double effet Levier de multi / Ekstra styreenhed dobbelt virkende Multi-funktionshåndtaget / Centralina supplementare a doppio effetto Multi leva
1	190003499650	23	KABELSCHOEN, , G01
2	169200770086	24	KABELSCHOEN, , G21
3	135700770014	8	MEERV. POOLVERBINDINGSTU, , M37 ; Schwarz / Black / Noir / Sort / Nero
4	135700770015	4	AANSLUITING, , M38 ; Weiss / White / Blanc / Hvid / Bianco
5	1-40-277-010	2	CONTACTDOOS, , M8D
6	199000770015	1	MEERV. POOLVERBINDINGSTU, , V02 ; 2-Polig / 2-pole / À 2 pôles / 2-polet / 2 polo
7	1-40-171-010	12	AFSCHEMMEKAP, , W40
8	169200770007	12	VERBINDING, , X07

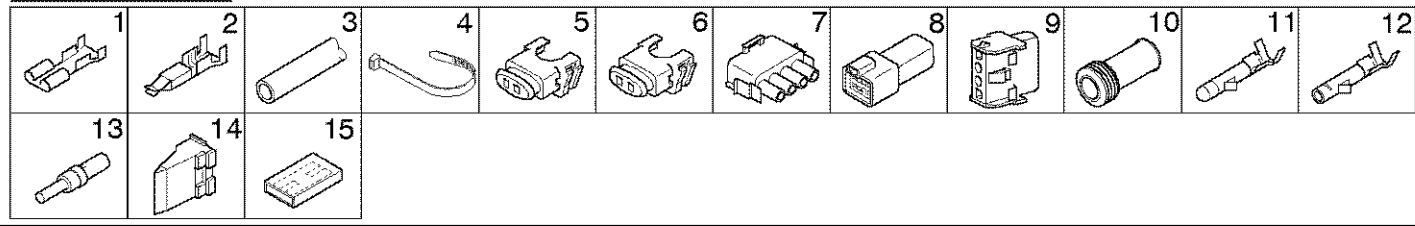


Ref	Onderdeelnummer	Kwt	Beschrijving
A	1-41-177-188	1	, Zusatzsteuergerät doppelwirkend mit Schwimmstellung Multi-Hebel / Auxiliary valve double acting with floating position Multi-lever / Valve auxiliaire double effet avec position flottante Levier de multi , Ekstra styreenhed dobbelt virkende med svømmeposition Multi-funktionshåndtaget /bn Centralina supplementare a doppio effetto con posizione flottante Multi leva
B	1-41-177-191	1	HARNESS, , Zusatzsteuergerät einfachwirkend Griff / Auxiliary valve single acting Grip / Valve auxiliaire simple effet Poignée de Manette / Ekstra styreenhed enkeltvirkende Greb / Centralina supplementare a semplice effetto Maniglia
C	1-41-177-192	1	HARNESS, , Zusatzsteuergerät doppelwirkend mit Schwimmstellung Griff / Auxiliary valve double acting with floating position Grip / Valve auxiliaire double effet avec position flottante Poignée de Manette , Ekstra styreenhed dobbelt virkende med svømmeposition Greb / Centralina supplementare a doppio effetto con posizione flottante Maniglia
D	1-41-177-193	1	HARNESS, , Zusatzsteuergerät doppelwirkend Griff / Auxiliary valve double acting Grip / Valve auxiliaire double effet Poignée de Manette / Ekstra styreenhed dobbelt virkende Greb / Centralina supplementare a doppio effetto Maniglia
1	190003499650	X	KABELSCHOEN, , G01
2	169200770086	24	KABELSCHOEN, , G21
3	135700770014	10	MEERV. POOLVERBINDINGSTU, , M37 ; Schwarz / Black / Noir / Sort / Nero
4	135700770015	2	AANSLUITING, , M38 ; Weiss / White / Blanc / Hvid / Bianco
5	179100770022	1	VERBINDING, , V03 ; 3-Polig / 3-pole / À 3 pôle / 3-polet / 3 polo
6	1-40-171-010	12	AFSCHERMKAP, , W40

04-18(01) CABLE HARNESS AND CONNECTIONS - CONTROL VALVE

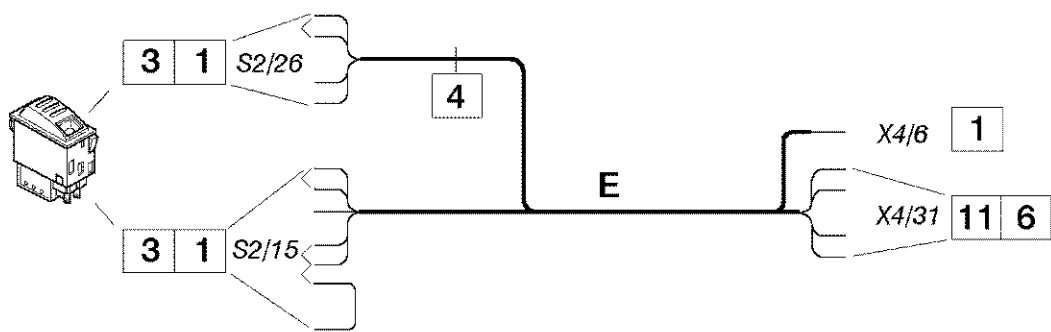
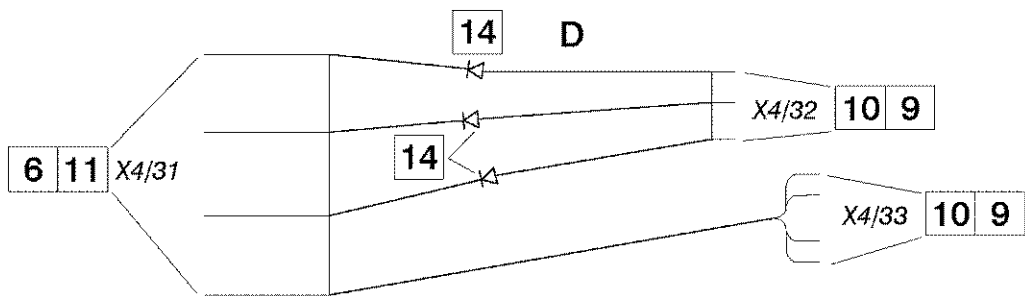
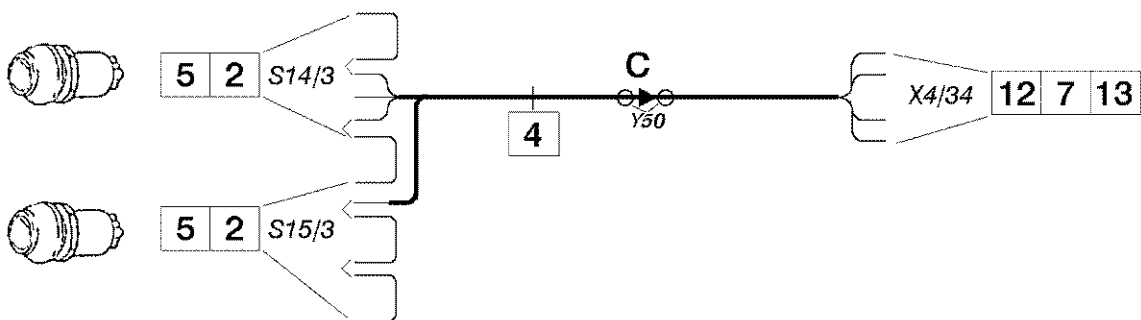
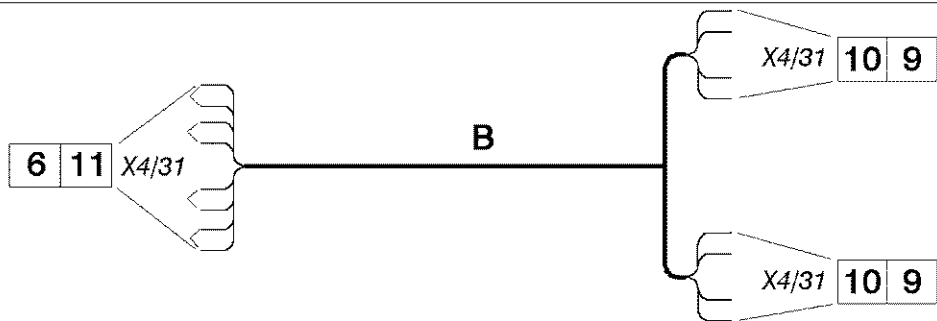
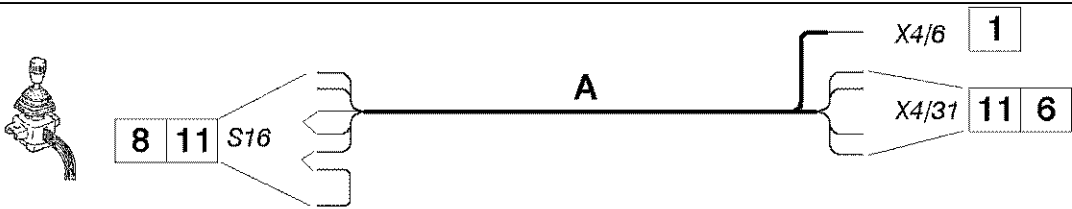


<b>16</b>			
● Y40-49	□ Y4A-4X	○ Y50-57	⊗ Y60-61
⊗ Y60-61	⊕ 44-51	⊖ 44-51	⊗ Y70
■ Y70	⊕ Y40-4U		

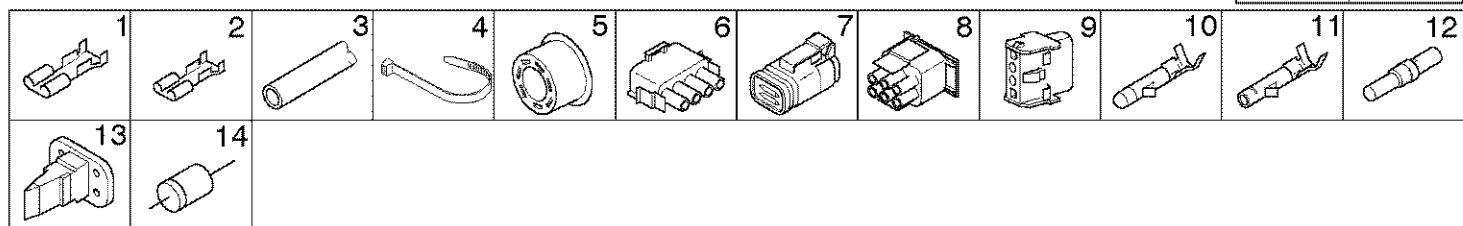


## 04-18(01) CABLE HARNESS AND CONNECTIONS - CONTROL VALVE

Ref	Onderdeelnummer	Kwt	Beschrijving
A	1-41-177-684	1	CABLE ASSY., , Ölmotor Steuerung / Oil motor Distribution / Moteur huile Distribution / Hydraulisk motor Styring / Motore diesel Comando
B	1-41-177-685	1	CABLE ASSY., , Stromversorgung / Current supply / Alimentation en courant / Strømforsyning / Alimentazione elettrica
C	1-41-177-687	1	KABEL, , Hubvorrichtung vorne / Riser front / Rehausse avant / Løfteanordning forrest / Dispositivo di sollevamento davanti
D	1-41-177-690	1	CABLE ASSY., , Zusatzsteuergerät einfachwirkend Multi-Funktion parallel / Auxiliary valve single acting Multi-Function parallel / Valve auxiliaire simple effet Multi-fonctions parallèle , Ekstra styreenhed enkeltvirkende Multifunktion parallelem / Centralina supplementare a semplice effetto Multi-Function parallelo
E	1-41-177-691	1	CABLE ASSY., , Zusatzsteuergerät einfachwirkend / Auxiliary valve single acting / Valve auxiliaire simple effet / Ekstra styreenhed enkeltvirkende / Centralina supplementare a semplice effetto
F	1-41-177-692	1	ELECTRISCHE KABEL, , Zusatzsteuergerät doppelwirkend mit 1 Sperrblock Multi-Funktion parallel / Auxiliary valve double acting with 1 check valve Multi-Function parallel / Valve auxiliaire double effet avec 1 valve de contrôle Multi-fonctions parallèle , Ekstra styreenhed dobbelt virkende med 1 kontraventil Multifunktion parallele / Centralina supplementare a doppio effetto con 1 valvola di controllo Multi-Function parallelo
G	1-41-177-693	1	CABLE ASSY., , Zusatzsteuergerät doppelwirkend mit 1 Sperrblock / Auxiliary valve double acting with 1 check valve / Valve auxiliaire double effet avec 1 valve de contrôle , Ekstra styreenhed dobbelt virkende med 1 kontraventil / Centralina supplementare a doppio effetto con 1 valvola di controllo
1	190003499650	22	KABELSCHOEN, , G01
2	169200770086	12	KABELSCHOEN, , G21
3	169200770198	7	FLEXIBELE BUIS, , J10
4	190003171715	X	SPANHULS, , A2,5x100 / K01
5	135700770014	4	MEERV. POOLVERBINDINGSTU, , M37 ; Schwarz / Black / Noir / Sort / Nero
6	135700770015	2	AANSLUITING, , M38 ; Weiss / White / Blanc / Hvid / Bianco
7	169200770223	4	CONTACTDOOS, , M47
8	135700770124	1	AANSLUITING, , N43
9	1-40-277-019	2	HUIS, , N4M
10	1-40-171-010	7	AFSCHERMKAP, , W40
11	169200770006	6	VERBINDING, , X06
12	169200770007	11	VERBINDING, , X07
13	133700770375	4	KABELSCHOEN, , X30
14	135700770126	1	AANSLUITING, , Y22
15	179100770023	1	VERDELER, , V04 ; 4-Polig / 4-pole / À 4 pôle / 4-polet / 4 polo
16	REF	X	INSTRUCTION, , Kabelschutzsystem siehe nächste Seite(n) / Cable protection system see next page(s) / Câblesystème à protection voir page(s) suivante(s) / Beskyttelsessystem til kabel se næste side(r) / Sistema di protezione dei cavi vedere pagin(a/e) seguent(e/i)



<b>15</b>			
● Y40-49	□ Y4A-4X	○ Y50-57	⊗
* Y60-61	⊗	▼ 44-50	⊗
■ Y70	⊗	⊗ Y4Q-4U	⊗

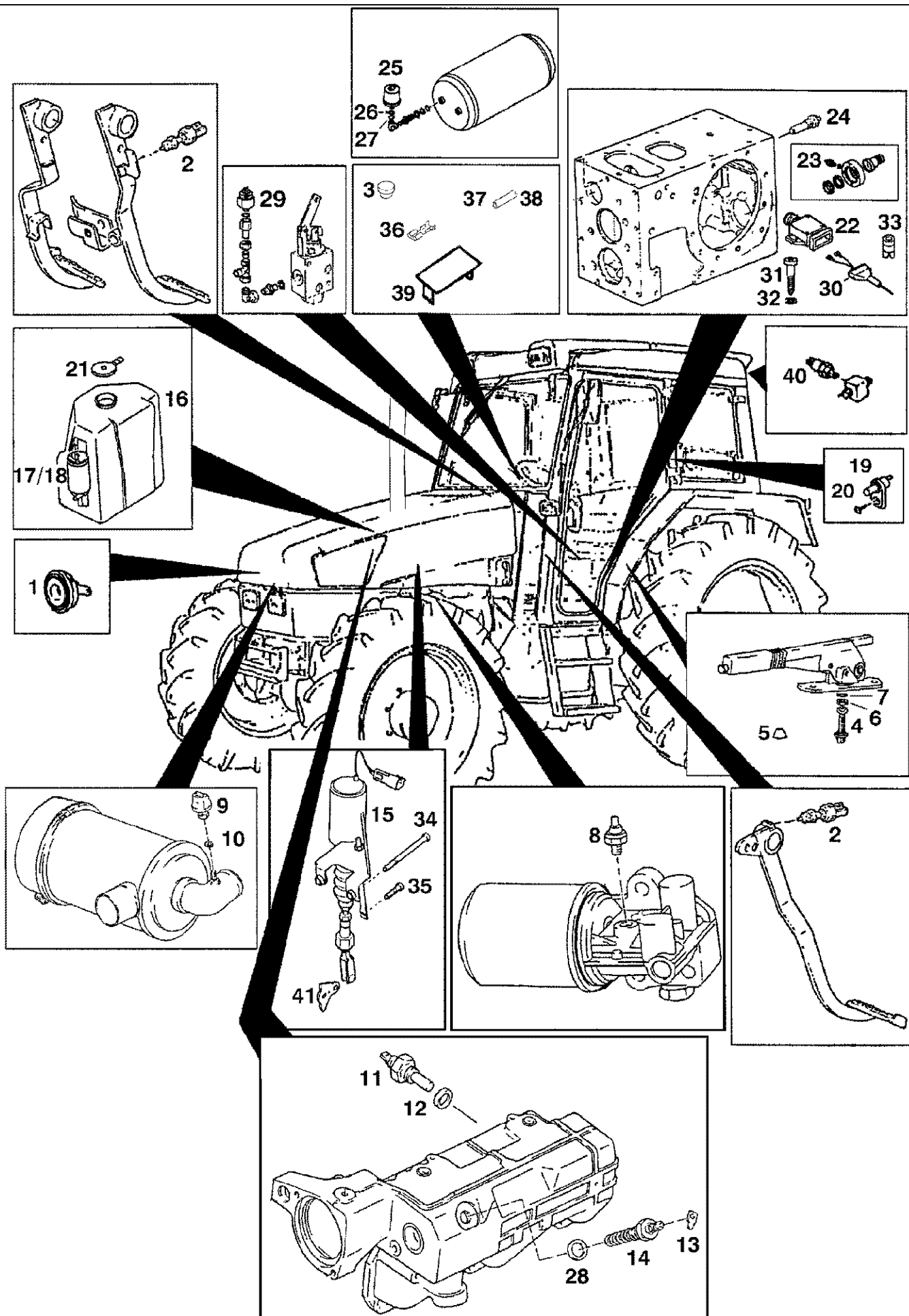


## 04-19(01) CABLE HARNESS AND CONNECTIONS - CONTROL VALVE

Ref	Onderdeelnummer	Kwt	Beschrijving
A	1-41-177-694	1	CABLE ASSY., , Zusatzsteuergerät doppelwirkend mit 1 Sperrblock Wählschalter / Auxiliary valve double acting with 1 check valve Switch, selector / Valve auxiliaire double effet avec 1 valve de contrôle Commutateur, sélecteur , Ekstra styreenhed dobbelt virkende med 1 kontraventil Kontakt , valg / Centralina supplementare a doppio effetto con 1 valvola di controllo Interruttore, preferenziale
B	1-41-177-695	1	CABLE ASSY., , Zusatzsteuergerät Multi-Funktion parallel Wählschalter / Auxiliary valve Multi-Function parallel Switch, selector / Valve auxiliaire Multi-fonctions parallèle Commutateur, sélecteur , Ekstra styreenhed Multifunktion parallele Kontakt , valg / Centralina supplementare Multi-Function parallelo Interruttore, preferenziale
C	1-41-177-697	1	KABEL, , Schalter Hubvorrichtung vorne / Switch Riser front / Contacteur Rehausse avant /Kontakt Løfteanordning forrest / Interruttore Dispositivo di sollevamento davanti
D	1-41-177-698	1	KABEL, , Hubvorrichtung vorne Multi-Funktion parallel / Riser front Multi-Function parallel / Rehausse avant Multi-fonctions parallèle / Løfteanordning forrest Multifunktion parallele / Dispositivo di sollevamento davanti Multi-Function parallelo
E	1-41-177-699	1	CABLE ASSY., , Zusatzsteuergerät doppelwirkend mit 1 Sperrblock Multi-Funktion parallel / Auxiliary valve double acting with 1 check valve Multi-Function parallel / Valve auxiliaire double effet avec 1 valve de contrôle Multi-fonctions parallèle , Ekstra styreenhed dobbelt virkende med 1 kontraventil Multifunktion parallele / Centralina supplementare a doppio effetto con 1 valvola di controllo Multi-Function parallelo
1	190003499650	11	KABELSCHOEN, , G01
2	1880770005	8	KABELSCHOEN, , G03
3	169200770198	4	FLEXIBELE BUIS, , J10
4	190003171715	1	SPANHULS, , A2,5x100 / K01
5	133700580024	2	CONTACTDOOS, , M44
6	169200770223	4	CONTACTDOOS, , M47
7	135700770123	1	VERBINDING, , M84
8	1-40-277-010	1	CONTACTDOOS, , M8D
9	1-40-277-019	4	HUIS, , N4M
10	169200770006	15	VERBINDING, , X06
11	169200770007	21	VERBINDING, , X07
12	133700770376	4	VERBINDING, , X31
13	135700770125	1	AANSLUITING, , Y21
14	1125770006	3	DIODE, , 3A, 1000V
15	REF	X	INSTRUCTION, , Kabelschutzsystem siehe nächste Seite(n) / Cable protection system see next page(s) / Câblesystème à protection voir page(s) suivante(s) / Beskyttelsessystem til kabel se næste side(r) / Sistema di protezione dei cavi vedere pagin(a/e) sequent(e/i)



04-20(01) SWITCHES



## 04-20(01) SWITCHES

Ref	Onderdeelnummer	Kwt	Beschrijving
1	1-40-171-040	1	HOORN,
2	1-40-171-051	2	SCHAKELAAR, , Ersetzt / Replaces / Remplace / Udskiftet / Sostituisce 1-40-171-001 ; Bremslichtschalter Startersicherheitschalter, Allrad Kontrolle / Brake light switch, Safety start switch , Interrupteur des feux-stop, Interrupteur de sécurité démarrage, Toutes roues motrices contrôle / Stoplyskontakt, Startersikkerhedskontakt, Firhjulstræk kontrol , Interruttore luce di arresto, Interruttore di sicurezza di avviamento, Trazione integrale controllo
3	190003170426	1	PLUG, , 19,5x30
4	1-34-743-001	1	SCHAKELAAR, , Besteht aus / Consists of / Compose de / Bestående af / È composto da 4 - 5
5	1-34-743-019	1	BOOT,
6	1-34-743-005	1	MOER,
7	1-34-743-016	1	SLUITRING,
8	130100090781	1	CONTACT ELEKTR./HYDR.,
9	161200190040	1	SENSOR,
10	130100190014	1	VERLOOPSTUK,
11	130100190701	1	SENDOR, TEMPERATURE,
12	190003098014	1	DICHTINGSRING, , A14x18-CU-DIN7603
13	133700770042	1	VERBINDING, , S09
14	130100090003	1	GLOEIPATROON,
15	1-40-271-023	1	SWITCH, SOLENOID, , Ersetzt / Replaces / Remplace / Udskiftet / Sostituisce 1-40-271-033
16	133700710239	1	CONTAINER,
16	1-40-171-024	1	CONTAINER, , 02942 ----> ; Einfach / Single / Simple / Enkelt / Semplice ; Ersetzt / Replaces / Remplace / Udskiftet / Sostituisce 133700710241
16	1-40-171-025	1	PUMP, , 02984 ----> ; Doppelt / Double / Double / Dobbelt / A doppio ; Ersetzt / Replaces / Remplace / Udskiftet / Sostituisce 1-40-171-026, 1-40-171-028
17	133700710241	1	PUMP, , Einfach / Single / Simple / Enkelt / Semplice
17	1-40-171-026	1	PUMP, , Einfach / Single / Simple / Enkelt / Semplice
18	133700710240	1	PUMP, , Doppelt / Double / Double / Dobbelt / A doppio
18	1-40-171-028	1	PUMP, , Doppelt / Double / Double / Dobbelt / A doppio
19	116000720020	2	DEURSCHAKELAAR,
20	190003843106	2	SCHROEF, , St4,2x9,5
21	1-40-171-027	1	CAP, FILLER,
22	133700710023	1	DRUKSCHAKELAAR, , Differentialsperre-Kontrollleuchte / Differential lock-Control light / Blocage de différentiel-Contrôle lampe / Differentialespærring-Kontrol lygte-Kontrol lygte / Bloccaggio del differenziale-Controllo luce
23	135700710025	1	SENSOR, , ----> 02468
23	155700710025	1	SENSOR, , 02649 ----> ; 25mm ; Zapfwelle / Power-take-off / Prise de force / Kraftudtag / Presa di forza
24	135700710026	1	SENSOR, , ----> 02468 ; 71mm
24	155700710026	1	SENSOR, , 71mm lg ; 02649 ----> ; Fahrgeschwindigkeit / Ground Speed / Vitesse de marche / Kørehastighed / Velocità di marcia
25	169200710001	1	ZENDER, , Druckluftbremse / Air brake / Servo-frein pneumatique / Tryklufftbremse / Freni ad aria compressa

## 04-20(01) SWITCHES

Ref	Onderdeelnummer	Kwt	Beschrijving
26	133700770141	1	VERBINDING, , Ø16,5mm
27	190003098016	1	DICHTINGSRING, , A16x20-CU
28	190003098029	1	DICHTINGSRING, , A20x24-CU
29	1-40-271-040	1	SENSOR, , ----> 03141 ; 34mm ; Ersetzt / Replaces / Remplace / Udskiftet / Sostituisce 13570071002
29	1-40-171-039	1	SCHAKELAAR, , 03142 ----> ; 9bar ; Frontzapfwelle / Front P.T.O. / Prise de force avant / Frontmonteret kraftudtag / Presa di forza frontale
30	133700710024	1	LAGERBUS,
31	190003843141	2	ZELFTAPPENDE SCHROEF, Cross Pan Hd, M4.2 x 16, , ST4,2x16
32	190003930231	2	SLUITRING, , A4,3
33	1-40-171-007	2	AFSTANDSRING, , 1,5mm
34	190003862352	2	SCHROEF, , M6x50-8.8-A2C
35	190003862316	1	SCHROEF, , M6x16-8.8
36	133700770117	1	VERBINDING, , G22
37	179100770018	1	LAGER,KOPPELING DRUKPLAA, , J05
38	190003171696	1	PLUG, , A15,6x8
39	169200580041	1	DEKSEL,
40	1-34-684-085	1	DRUKSCHAKELAAR, , Klimaanlage - Hopfenkabine / Air conditioner - Hops Cab / Climatiseur - Cabine a houblon / Klimaanlæge - Humlekabine / Climatizzatore - Cabina da luppolo
41	140100080008	1	HEFBOOM, , 01459 ---->



## 04-21(01) ELECTRIC CABLE - INSTRUMENT PANEL

Ref	Onderdeelnummer	Kwt	Beschrijving
A	1-41-177-201	1	----> 01458 ; Armaturen Brett / Instrument panel / Tableau de bord / Instrumentpanel / Cruscotto
B	1-41-177-202	1	, 01955 ----> ; Armaturen Brett / Instrument panel / Tableau de bord / Instrumentpanel / Cruscott
C	1-41-177-203	1	, 01459 ----> 01954 ; Armaturen Brett / Instrument panel / Tableau de bord / Instrumentpanel / Cruscott
D	1-41-177-206	1	, ----> 03141 ; Armaturen Brett / Instrument panel / Tableau de bord / Instrumentpanel / Cruscott
1	169200770245	1	KABELSCHOEN, , A05
2	190003499671	3	AANSLUITKLEM, , B02
3	190003499650	X	KABELSCHOEN, , G01
4	1880770005	X	KABELSCHOEN, , G03
5	190003499746	2	VERBINDING, , G06
6	133700770117	2	VERBINDING, , G22
7	1-40-277-037	4	LAGER,KOPPELING DRUKPLAA, , G42
8	1-40-277-036	X	VERBINDING, , G41
9	135700770206	6	ELECTRISCHE ISOLATIE, , J07 ; 1-Polig / 1-pole / À 1 pôle / 1-polet / 1 polo
10	169200770198	3	FLEXIBELE BUIS, , J10
11	1-40-177-012	2	BESCHERMSLANG, , J20
12	190003171715	X	SPANHULS, , A2,5x100 / K01
13	190003171697	X	BEVESTIGINGSKLEM, , A5x180 / K02
14	179100770268	1	CONTACTDOOS, , M04
15	199000770020	1	CONTACTDOOS, , M05 ; 6-Polig / 6-pole / À 6 pôle / 6-polet / 6 polo
16	179100770390	7	CONTACTDOOS, , M24 ; 5-Polig / 5-pole / À 5 pôle / 5-polet / 5 polo
17	169200770003	1	AANSLUITING, , M27 ; 15-Polig / 15-pole / À 15 pôle / 15-polet / 15 polo
18	169200580204	1	PEDESTAL, , M34 ; 5-Polig / 5-pole / À 5 pôle / 5-polet / 5 polo
19	133700770232	1	AANSLUITING, , M45 ; 4-Polig / 4-pole / À 4 pôle / 4-polet / 4 polo
20	133700770233	1	AANSLUITING, , M46 ; 6-Polig / 6-pole / À 6 pôle / 6-polet / 6 polo
21	135700770123	1	VERBINDING, , M84
22	1-40-177-003	1	AANSLUITING, , M86 ; 12-Polig / 12-pole / À 12 pôle / 12-polet / 12 polo
23	1-40-277-038	1	STEKKERDOOS, , M8P
24	1-40-277-039	3	CONTACTDOOS, , M8Q ; 10-Polig / 10-pole / À 10 pôle / 10-polet / 10 polo
25	1-40-177-023	1	AANSLUITING, , M8X ; 5-Polig / 5-pole / À 5 pôle / 5-polet / 5 polo
26	169200770004	1	CONTACTDOOS, , N13
27	199000770015	3	MEERV. POOLVERBINDINGSTU, , V02 ; 2-Polig / 2-pole / À 2 pôle / 2-polet / 2 polo
28	169200770007	X	VERBINDING, , X07
29	133700770376	13	VERBINDING, , X31
30	133700770383	3	PLUG, , Y20
31	135700770125	1	AANSLUITING, , Y21
32	1-40-177-007	1	AANSLUITING, , Y25 ; 12-Polig / 12-pole / À 12 pôle / 12-polet / 12 polo
33	1-40-277-047	1	AANSLUITING, , Y2A
34	1-40-277-046	1	AANSLUITING, , M8S
35	199000770238	2	AANSLUITKLEM, , G09
36	179100770022	1	VERBINDING, , V03 ; 3-Polig / 3-pole / À 3 pôle / 3-polet / 3 polo
37	1-40-177-019	1	CONTACTDOOS, , N47

04-21(01) ELECTRIC CABLE - INSTRUMENT PANEL

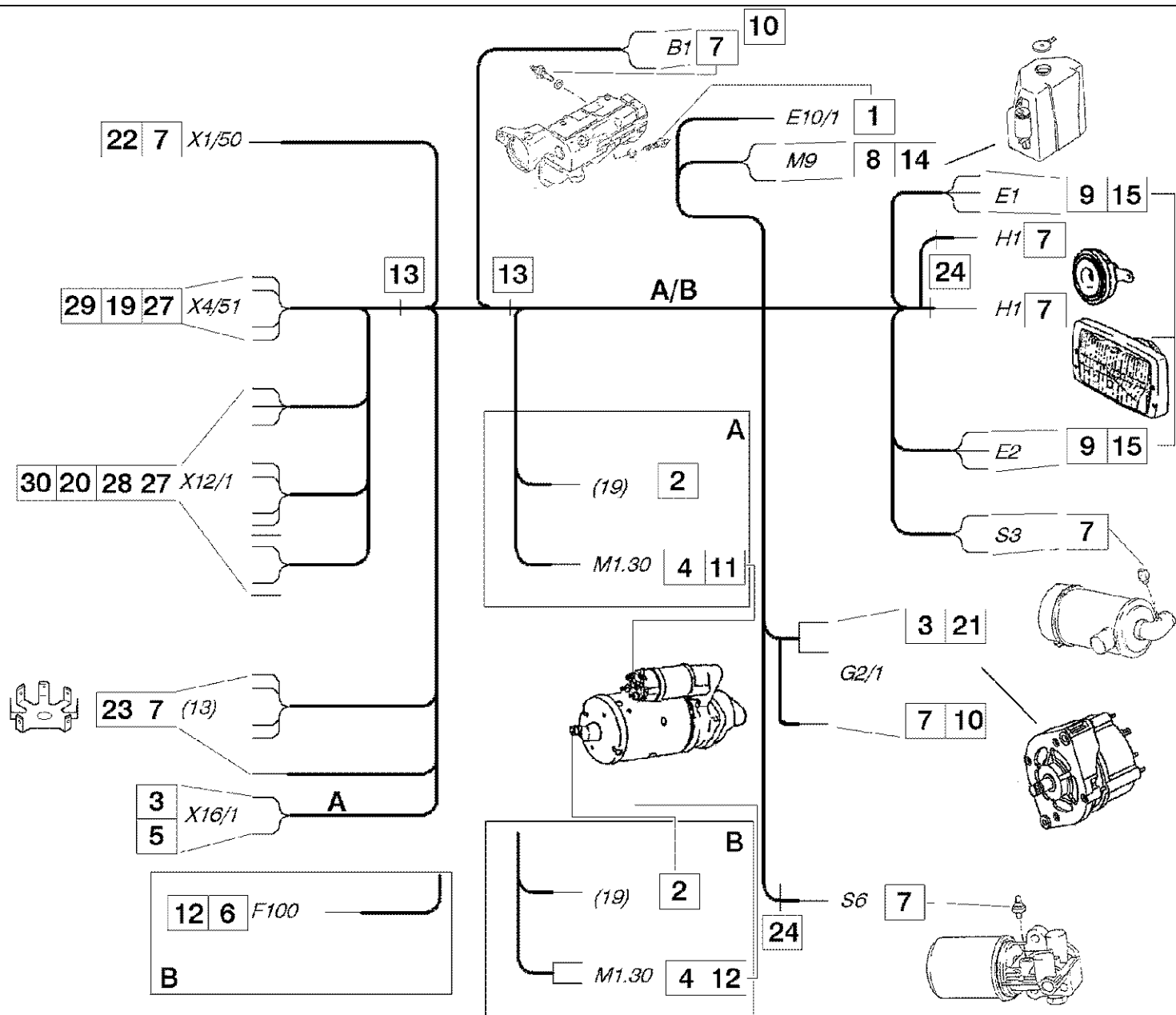
Ref	Onderdeelnummer	Kwt	Beschrijving
38	1-40-177-020	2	VERBINDING, , F20
39	133700770022	3	LAGERBUS, , G18



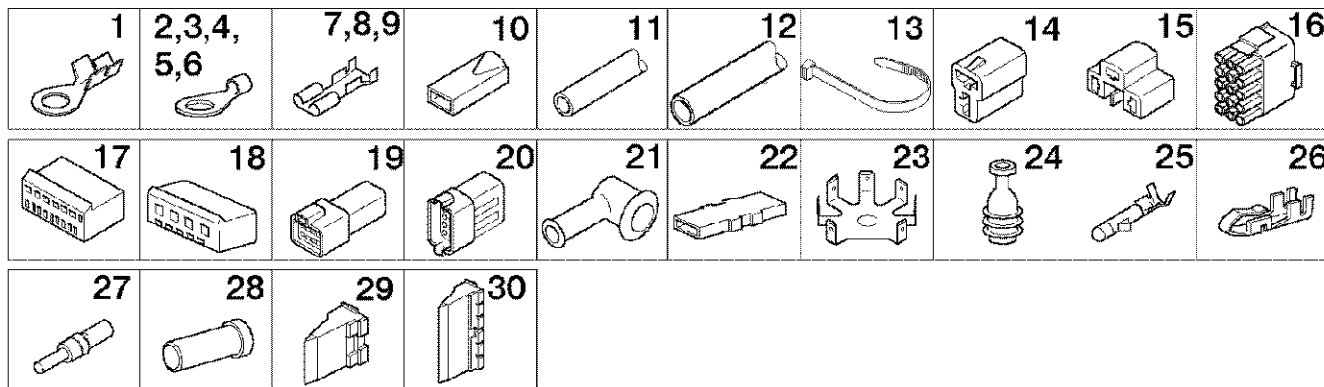
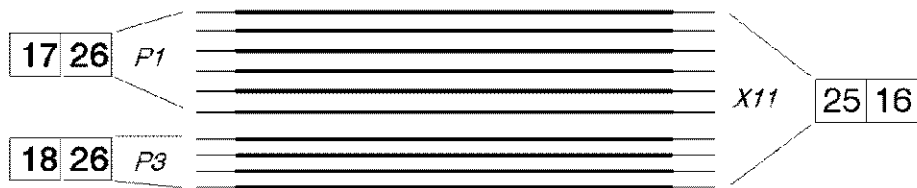
## 04-22(01) ELECTRIC CABLE - INSTRUMENT PANEL

Ref	Onderdeelnummer	Kwt	Beschrijving
A	1-41-177-601	1	HARNESS, , 03142 ----> ; Armaturen Brett / Instrument panel / Tableau de bord / Instrumentpanel / Cruscott
1	169200770245	1	KABELSCHOEN, , A05
2	190003499671	3	AANSLUITKLEM, , B02
3	1-40-177-020	2	VERBINDING, , F20
4	190003499650	X	KABELSCHOEN, , G01
5	1880770005	X	KABELSCHOEN, , G03
6	190003499746	1	VERBINDING, , G06
7	199000770238	2	AANSLUITKLEM, , G09
8	133700770022	3	LAGERBUS, , G18
9	1-40-177-025	2	VERBINDING, , G49
10	1-40-277-036	X	VERBINDING, , G41
11	135700770206	10	ELECTRISCHE ISOLATIE, , J07 ; 1-Polig / 1-pole / À 1 pôle / 1-polet / 1 polo
12	169200770198	5	FLEXIBELE BUIS, , J10
13	190003171715	X	SPANHULS, , A2,5x100 / K01
14	190003171697	X	BEVESTIGINGSKLEM, , A5x180 / K02
15	179100770268	1	CONTACTDOOS, , M04
16	199000770020	1	CONTACTDOOS, , M05 ; 6-Polig / 6-pole / À 6 pôle / 6-polet / 6 polo
17	179100770390	7	CONTACTDOOS, , M24 ; 5-Polig / 5-pole / À 5 pôle / 5-polet / 5 polo
18	169200770003	1	AANSLUITING, , M27 ; 15-Polig / 15-pole / À 15 pôle / 15-polet / 15 polo
19	169200580204	3	PEDESTAL, , M34 ; 5-Polig / 5-pole / À 5 pôle / 5-polet / 5 polo
20	133700770232	1	AANSLUITING, , M45 ; 4-Polig / 4-pole / À 4 pôle / 4-polet / 4 polo
21	133700770233	1	AANSLUITING, , M46 ; 6-Polig / 6-pole / À 6 pôle / 6-polet / 6 polo
22	135700770123	1	VERBINDING, , M84
23	1-40-177-003	1	AANSLUITING, , M86 ; 12-Polig / 12-pole / À 12 pôle / 12-polet / 12 polo
24	1-40-177-035	1	CONTACTDOOS, , M3Q
25	1-40-277-039	4	CONTACTDOOS, , M8Q ; 10-Polig / 10-pole / À 10 pôle / 10-polet / 10 polo
26	1-40-277-046	1	AANSLUITING, , M8S
27	1-40-177-023	1	AANSLUITING, , M8X ; 5-Polig / 5-pole / À 5 pôle / 5-polet / 5 polo
28	169200770004	1	CONTACTDOOS, , N13
29	1-40-177-019	1	CONTACTDOOS, , N47
30	199000770015	3	MEERV. POOLVERBINDINGSTU, , V02 ; 2-Polig / 2-pole / À 2 pôle / 2-polet / 2 polo
31	179100770023	1	VERDELER, , V04 ; 4-Polig / 4-pole / À 4 pôle / 4-polet / 4 polo
32	169200770007	X	VERBINDING, , X07
33	133700770376	17	VERBINDING, , X31
34	133700770383	2	PLUG, , Y20
35	135700770125	1	AANSLUITING, , Y21
36	1-40-177-007	1	AANSLUITING, , Y25 ; 12-Polig / 12-pole / À 12 pôle / 12-polet / 12 polo
37	1-40-277-047	1	AANSLUITING, , Y2A



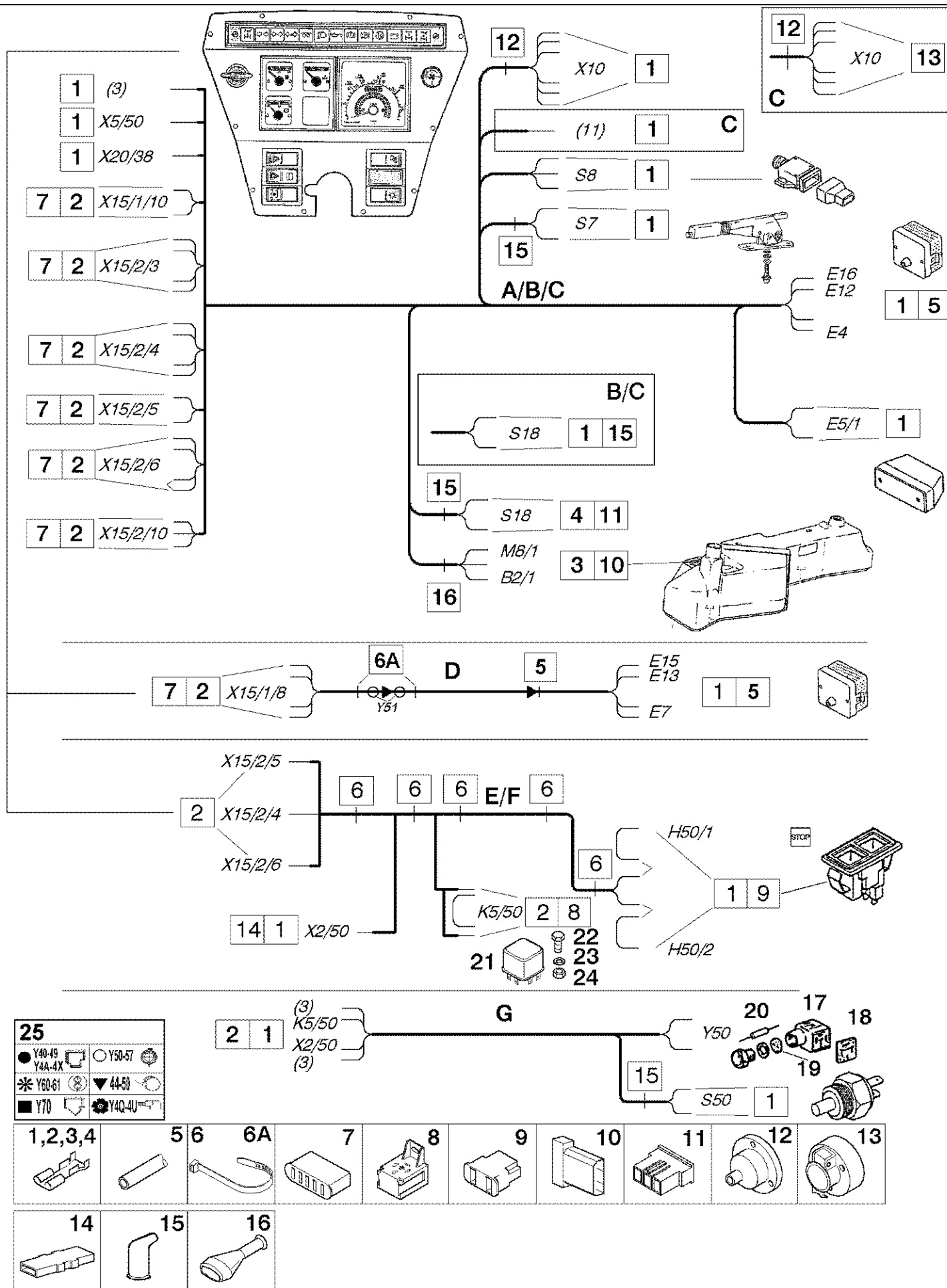


C



## 04-23(01) ELECTRIC CABLES - ENGINE

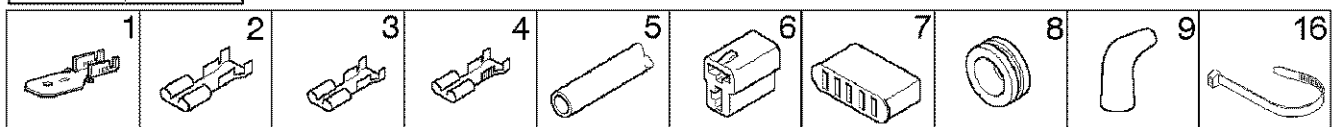
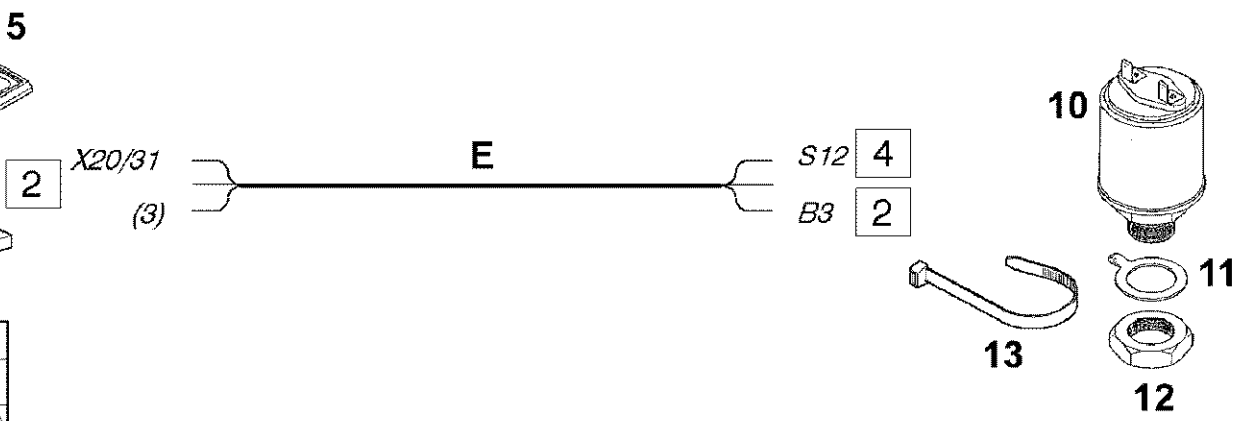
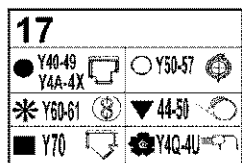
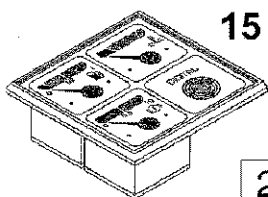
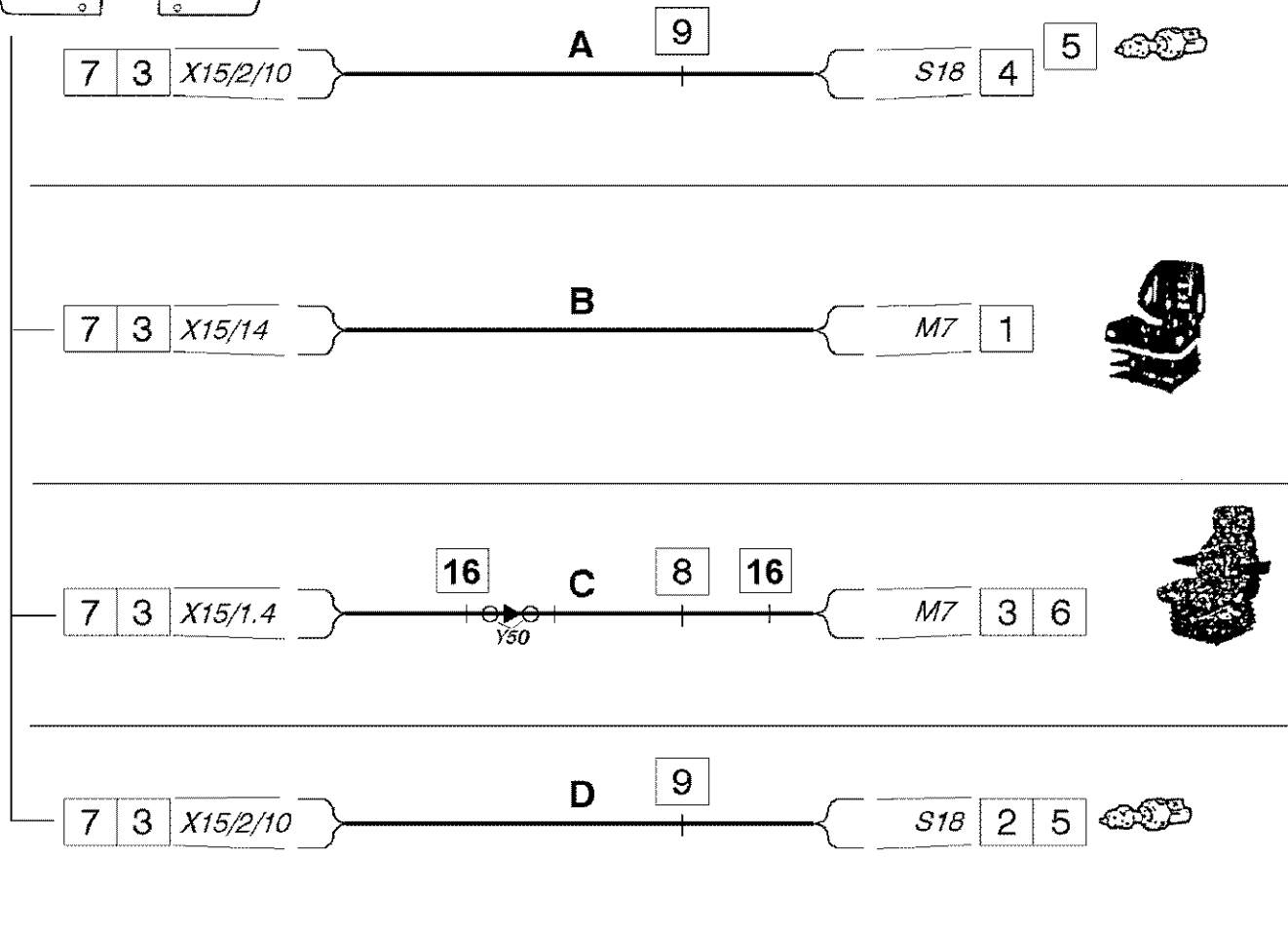
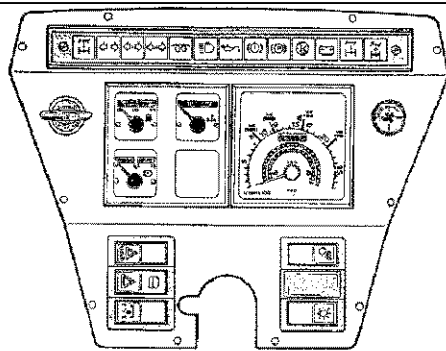
Ref	Onderdeelnummer	Kwt	Beschrijving
A	1-41-177-310	1	HARNESS, , ----> 03141 ; Motor / Engine / Moteur / Motor / Motore
B	1-41-177-611	1	HARNESS, , 03142 ----> ; Motor / Engine / Moteur / Motor / Motore
C	135700770101	1	HARNESS, , ----> 03141 ; Kombiinstrument / Instrument cluster / Combine de bord / Kombi-instrument / Strumento combinato
D	1-41-177-602		HARNESS, , 03142 ----> ; Kombiinstrument / Instrument cluster / Combine de bord / Kombi-instrument / Strumento combinato
1	169200770243	1	VERBINDING, , A02
2	190003499661	1	KABELSCHOEN, , B01
3	190003499671	1	AANSLUITKLEM, , B02
4	190003499673	3	KABELSCHOEN, , B05
5	190003499672	1	AANSLUITKLEM, , B07
6	190003499677	1	TERMINAL CONNECTOR, , B09
7	190003499650	X	KABELSCHOEN, , G01
8	1880770005	7	KABELSCHOEN, , G03
9	179000770080	6	LAGERBUS, , G10
10	135700770206	1	ELECTRISCHE ISOLATIE, , J07 ; 1-Polig / 1-pole / À 1 pôle / 1-polet / 1 polo
11	169200770198	8	FLEXIBELE BUIS, , J10
12	1-40-577-051	2	MANTEL, FLEXIBEL, , J23
13	190003171697	2	BEVESTIGINGSKLEM, , A5x180 / K02
14	199014770058	1	AANSLUITING, , M10 ; 2-Polig / 2-pole / À 2 pôle / 2-polet / 2 polo
15	199000720006	2	LAGERBUS, , M21 ; 3-Polig / 3-pole / À 3 pôle / 3-polet / 3 polo
16	169200770003	1	AANSLUITING, , M27 ; 15-Polig / 15-pole / À 15 pôle / 15-polet / 15 polo
17	135700770226	1	CONTACTDOOS, , M48 ; 7-Polig / 7-pole / À 7 pôle / 7-polet / 7 polo
18	135700770231	1	AANSLUITING, , M52 ; 4-Polig / 4-pole / À 4 pôle / 4-polet / 4 polo
19	135700770124	1	AANSLUITING, , N43
20	1-40-177-004	1	CONTACTDOOS, , N45 ; 12-Polig / 12-pole / À 12 pôle / 12-polet / 12 polo
21	13809770107	1	KABELDOORGANG, , U02
22	199000770015	1	MEERV. POOLVERBINDINGSTU, , V02 ; 2-Polig / 2-pole / À 2 pôle / 2-polet / 2 polo
23	1-40-277-013	3	TERMINAL CONNECTOR, , V21
24	1407090013	3	BESCHERMDEKSEL, , W03
25	169200770006	10	VERBINDING, , X06
26	135700770225	10	KABELSCHOEN, , X10
27	133700770375	13	KABELSCHOEN, , X30
28	133700770383	2	PLUG, , Y20
29	135700770126	1	AANSLUITING, , Y22
30	1-40-177-008	1	TUSSENSTUK, , Y26 ; 12-Polig / 12-pole / À 12 pôle / 12-polet / 12 polo



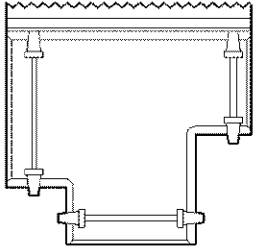
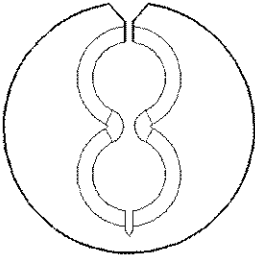
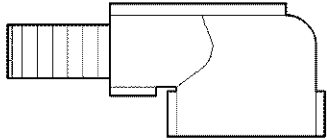
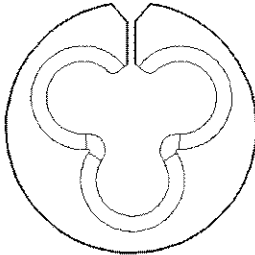
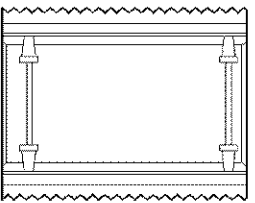
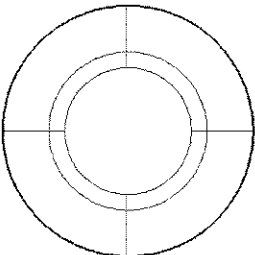
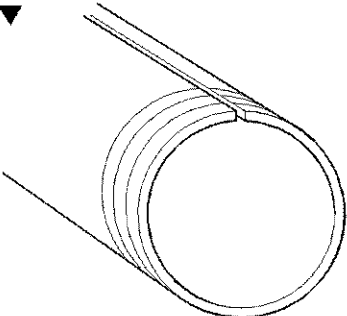
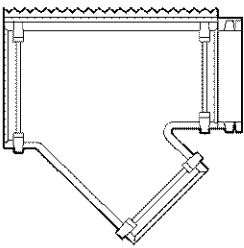
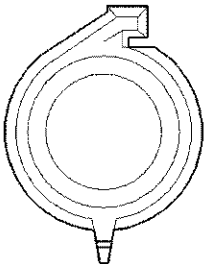
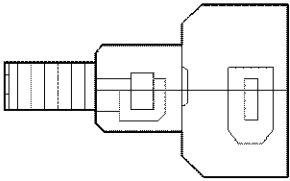
## 04-24(01) ELECTRIC CABLE - INTERIOR

Ref	Onderdeelnummer	Kwt	Beschrijving
A	1-41-177-230	1	, ----> 01948 ; Links / Left / Gauche / Venstre / Sinistro
B	1-41-177-231	1	, 01949 ----> 03141 ; Links / Left / Gauche / Venstre / Sinistro
C	1-41-177-630	1	HARNESS, , 03142 ----> ; Links / Left / Gauche / Venstre / Sinistro
D	1-41-177-235	1	KABEL, , Rechts / Right / Droite / Højre / Destra
E	1-41-177-204	1	BRAKE, , Anhängerbremse, Armaturen Brett / Trailer brake, Instrument panel / Frain de remorques, Tableau de bord / Bremse til anhænger, Instrumentpanel / Freno del rimorchio Instrumentpanel, Cruscotto
F	1-41-177-604	1	CABLE ASSY., , Anhängerbremse, Armaturen Brett / Trailer brake, Instrument panel / Frain de remorques, Tableau de bord / Bremse til anhænger, Instrumentpanel / Freno del rimorchio Instrumentpanel, Cruscotto
G	1-41-177-234	1	BRAKE, , Anhängerbremse, Ventil / Trailer brake, Valve / Frain de remorques, Soupape / Bremse til anhænger, Ventil / Freno del rimorchio, Valvola
1	190003499650	X	KABELSCHOEN, , G01
2	1880770005	X	KABELSCHOEN, , G03
3	179000770129	3	AANSLUITKLEM, , G19
4	1-40-277-037	2	LAGER,KOPPELING DRUKPLAA, , G42
5	169200770198	3	FLEXIBELE BUIS, , J10
6	190003171715	X	SPANHULS, , A2,5x100 / K01
6B	190003171697	1	BEVESTIGINGSKLEM, , A5x180 / K02
7	179100770390	6	CONTACTDOOS, , M24 ; 5-Polig / 5-pole / À 5 pôle / 5-polet / 5 polo
8	169200580204	1	PEDESTAL, , M34 ; 5-Polig / 5-pole / À 5 pôle / 5-polet / 5 polo
9	139900580183	1	CONTACTDOOS, , M82
10	1-40-177-017	1	AANSLUITING, , M89 ; 3,-Polig / 3-pole / À 3 pôle / 3-polet / 3 polo
11	1-40-277-038	1	STEKKERDOOS, , M8P
12	1397710023	1	DICHTING, RUBBER, , Q43
13	133700710006	1	AANSLUITING, , ----> 03141 ; 7-Polig / 7-pole / À 7 pôle / 7-polet / 7 polo
13	1-40-171-029	1	AANSLUITING, , R54 ; 03142 ----> ; 7-Polig / 7-pole / À 7 pôle / 7-polet / 7 polo
14	199000770015	1	MEERV. POOLVERBINDINGSTU, , V02 ; 2-Polig / 2-pole / À 2 pôle / 2-polet / 2 polo
15	189100770309	3	BESCHERMDEKSEL, , W04
16	1-40-277-045	1	KABELDOORGANG, , W42
17	1397710020	1	FITTING/RECIPIËNT, , P04
18	1397710025	1	DICHTINGSSTUK,
19	133700770066	1	DICHTINGSSTUK,
20	1125770004	1	DIODE,
21	1-40-758-024	1	RELAIS, , 40/60A ; Ersetzt / Replaces / Remplace / Udskiftet / Sostituisce 1-40-158-047, 139900580047
22	190003802216	1	SCHROEF, , M5x12-8.8
23	190003935462	1	SLUITRING, , A5,1-A3C
24	825-1405	1	MOER, M5, CI 8,

Ref	Onderdeelnummer	Kwt	Beschrijving
25	REF	X	INSTRUCTION, , Kabelschutzsystem siehe nächste Seite(n) / Cable protection system see next page(s) / Câblesystème à protection voir page(s) suivante(s) / Beskyttelsessystem til kabel se næste side(r) / Sistema di protezione dei cavi vedere pagin(a/e) sequent(e/i)



Ref	Onderdeelnummer	Kwt	Beschrijving
A	1-41-177-081	1	PIGNON, , ----> 01948 ; Allradantrieb / All-wheel-drive / Quatre-roues directrices / Firhjulstræk / Trazione integrale
B	1-41-177-086	1	KABEL, , KLEPP ; Sitz / Seat / Siège / Sæde / Sedile
C	1-41-177-087	1	CABLE ASSY., , GRAMMER ; Sitz / Seat / Siège / Sæde / Sedile
D	1-41-177-089	1	KABEL, , 01949 ----> ; Allradantrieb / All-wheel-drive / Quatre-roues directrices / Firhjulstræk / Trazione integrale
E	1-41-177-190	1	KABEL, , Druckluftbremse / Air brake / Servo-frein pneumatique / Trykluftbremse / Freni ad aria compressa
1	1390770002	2	TERMINAL, SPADE, , F01
2	190003499650	7	KABELSCHOEN, , G01
3	1880770005	10	KABELSCHOEN, , G03
4	199000770238	2	AANSLUITKLEM, , G09
5	169200770198	3	FLEXIBELE BUIS, , J10
6	199014770058	1	AANSLUITING, , M10 ; 2-Polig / 2-pole / À 2 pôle / 2-polet / 2 polo
7	179100770390	4	CONTACTDOOS, , M24 ; 5-Polig / 5-pole / À 5 pôle / 5-polet / 5 polo
8	190003120098	2	KABELDOORGANG, , 8x1/20
9	189100770309	2	BESCHERMDEKSEL, , W04
10	169200710001	1	ZENDER,
11	133700770141	1	VERBINDING,
12	190003559547	1	MOER, , M22x1,75
13	190003171697	X	BEVESTIGINGSKLEM, , A5x180 / K02
14	199000770015	1	MEERV. POOLVERBINDINGSTU, , V02 ; 2-Polig / 2-pole / À 2 pôle / 2-polet / 2 polo
15	REF	1	INSTRUCTION, , Siehe Seite(n) vorne / See page(s) before / Voir page(s) avant(es) / Se side(r) forrest / Vedere pagin(a/e) precedent(e/i)
16	190003171715	1	SPANHULS, , A2,5x100 / K01
17	REF	X	INSTRUCTION, , Kabelschutzsystem siehe nächste Seite(n) / Cable protection system see next page(s) / Câblesystème à protection voir page(s) suivante(s) / Beskyttelsessystem til kabel se næste side(r) / Sistema di protezione dei cavi vedere pagin(a/e) sequent(e/i)

<p>Y40-49/4A-N/4V-X Y5J/5P/5S/5V/5Z</p> 	<p>Y60/Y5M</p> 
<p>Y4Q/Y4T/Y4R</p> 	<p>Y61</p> 
<p>Y4P/Y4Z/Y5Y</p> 	<p>Y5Q/Y5R/Y5X/Y6A/Y6B</p> 
<p>61 - 67</p> 	<p>Y70-Y4Y/Y5L Y6C</p> 
<p>Y50-57</p> 	<p>Y4U/Y6H</p> 



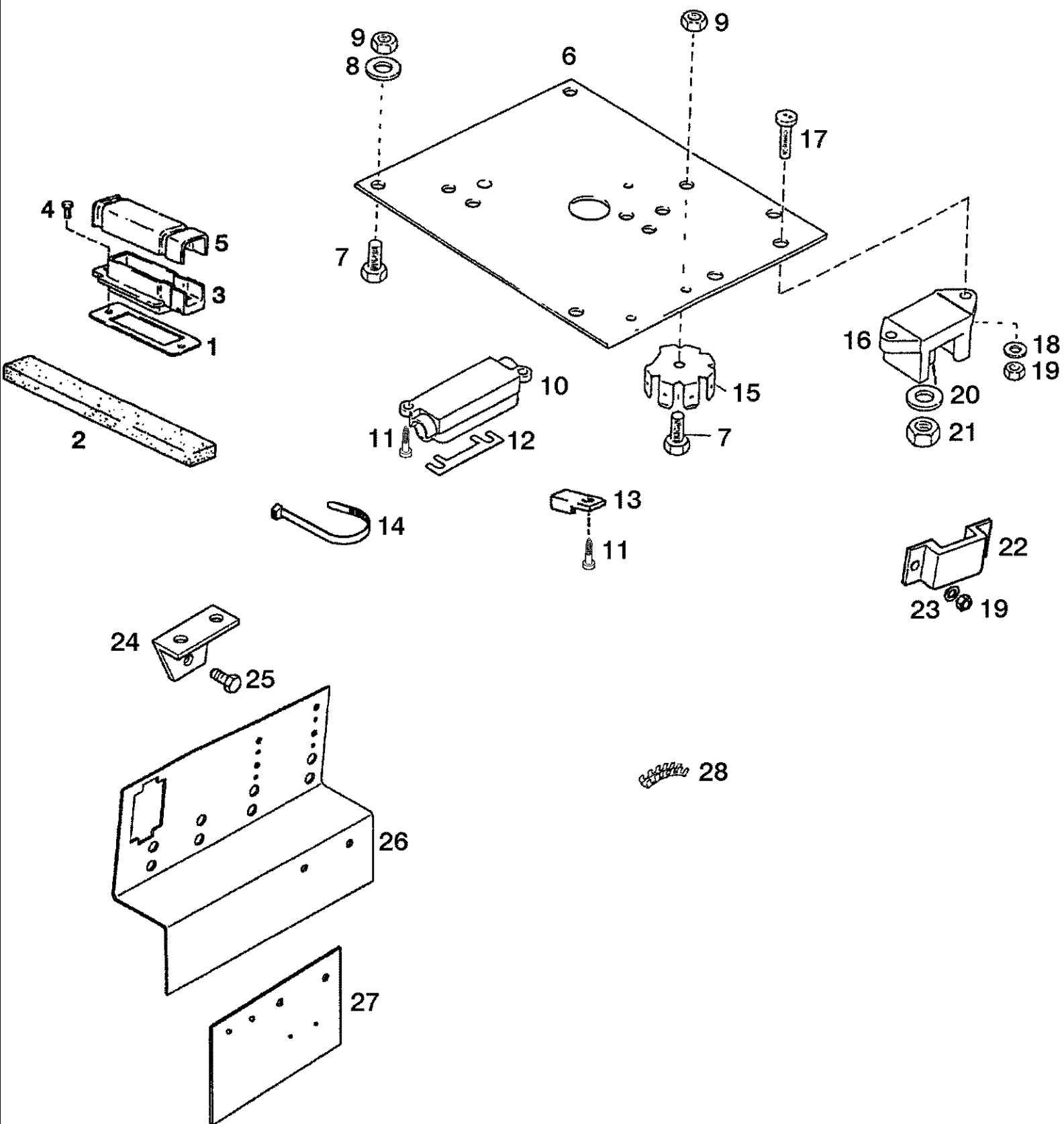
## 04-26(01) CABLE - PROTECTION SYSTEM

Ref	Onderdeelnummer	Kwt	Beschrijving
1	1-40-577-100	X	VERBINDING, , Y40
2	1-40-577-101	X	VERBINDING, , Y41
3	1-40-577-102	X	VERBINDING, , Y42
4	1-40-577-103	X	VERBINDING, , Y43
5	1-40-577-104	X	VERBINDING, , Y44
6	1-40-577-105	X	VERBINDING, , Y45
7	1-40-577-106	X	VERBINDING, , Y46
8	1-40-577-107	X	VERBINDING, , Y47
9	1-40-577-108	X	VERBINDING, , Y48
10	1-40-577-109	X	VERBINDING, , Y49
11	1-40-577-120	X	ELECTRISCHE ISOLATIE, , Y4A
12	1-40-577-121	X	ELECTRISCHE ISOLATIE, , Y4B
13	1-40-577-123	X	ELECTRISCHE ISOLATIE, , Y4C
14	1-40-577-124	X	ELECTRISCHE ISOLATIE, , Y4D
15	1-40-577-122	X	ELECTRISCHE ISOLATIE, , Y4E
16	1-40-577-125	X	ELECTRISCHE ISOLATIE, , Y4F
17	1-40-577-126	X	ELECTRISCHE ISOLATIE, , Y4G
18	1-40-577-127	X	ELECTRISCHE ISOLATIE, , Y4H
19	1-40-577-129	X	ELECTRISCHE ISOLATIE, , Y4J
20	1-40-577-131	X	ELECTRISCHE ISOLATIE, , Y4K
21	1-40-577-128	X	ELECTRISCHE ISOLATIE, , Y4L
22	1-40-577-132	X	ELECTRISCHE ISOLATIE, , Y4M
23	1-40-577-133	X	ELECTRISCHE ISOLATIE, , Y4N
24	1-40-577-134	X	ELECTRISCHE ISOLATIE, , Y4P
25	1-40-577-135	X	AFSCHERMING, , Y4Q
26	1-40-577-136	X	AFSCHERMING, , Y4R
27	1-40-577-137	X	AFSCHERMING, , Y4S
28	1-40-577-138	X	AFSCHERMING, , Y4T
29	1-40-577-139	X	AFSCHERMING, , Y4U
30	1-40-577-140	X	ELECTRISCHE ISOLATIE, , Y4V
31	1-40-577-141	X	ELECTRISCHE ISOLATIE, , Y4W
32	1-40-577-142	X	ELECTRISCHE ISOLATIE, , Y4X
33	1-40-577-143	X	OPVULPIJP, , Y4Y - Y-Stück / Y-splicer / piece-Y / Y-Stk. / Y-Pezzo
34	1-40-577-144	X	TRANSFORMATOR, , Y4Z
35	1-40-577-110	X	STOPBEUGEL, , Y50
36	1-40-577-111	X	STOPBEUGEL, , Y51
37	1-40-577-112	X	STOPBEUGEL, , Y52
38	1-40-577-113	X	STOPBEUGEL, , Y53
39	1-40-577-114	X	STOPBEUGEL, , Y54
40	1-40-577-115	X	STOPBEUGEL, , Y55
41	1-40-577-116	X	STOPBEUGEL, , Y56

## 04-26(01) CABLE - PROTECTION SYSTEM

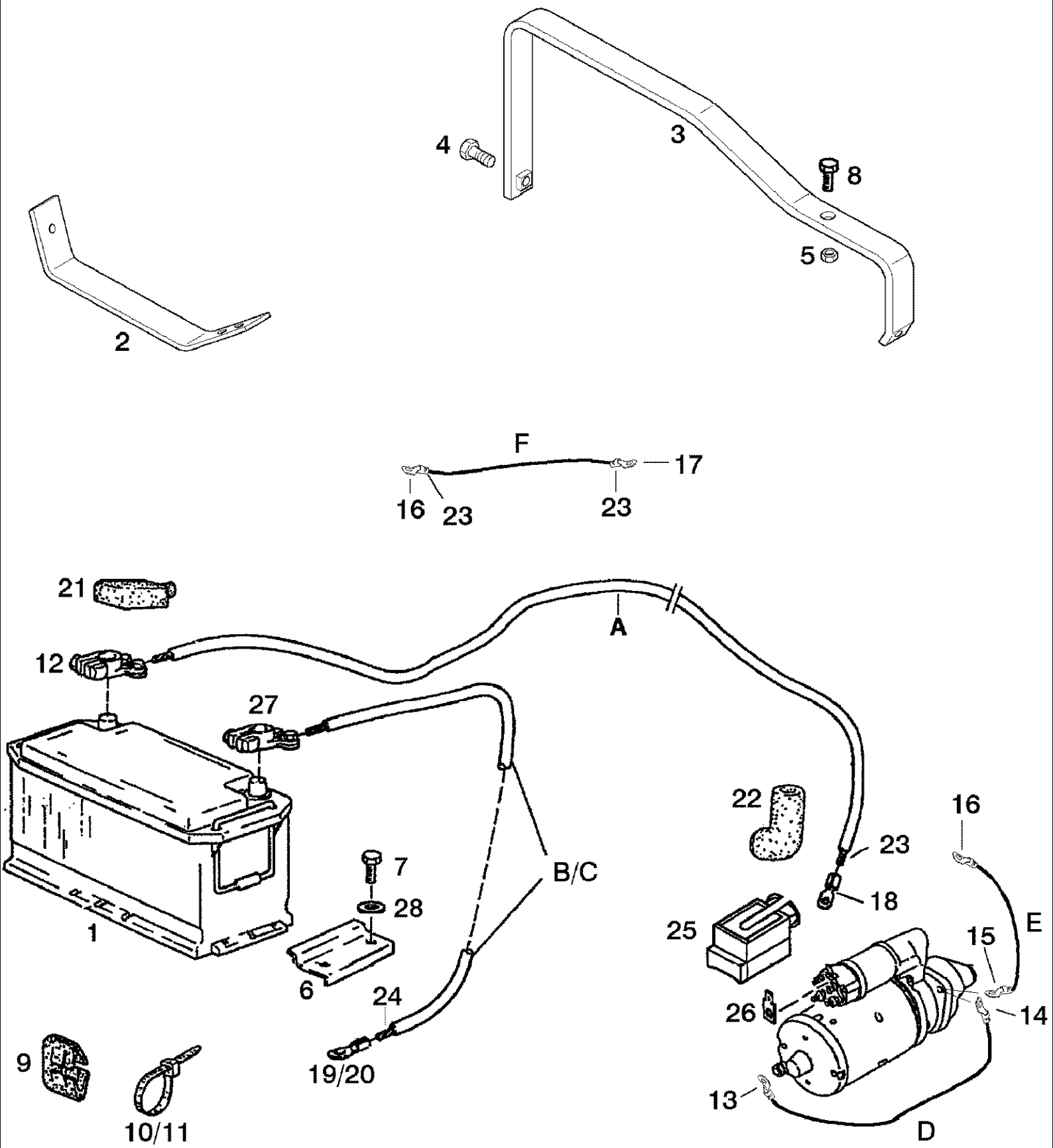
Ref	Onderdeelnummer	Kwt	Beschrijving
42	1-40-577-117	X	STOPBEUGEL, , Y57
43	1-40-577-146	X	VERBINDING, , Y6H
43	1-40-577-147	X	CONDUIT, , Y5L
44	1-40-577-148	X	VERLOOPSTUK, , Y5M
45	1-40-577-145	X	CONDUIT, , Y5J
46	1-40-577-150	X	TEE, , Y5P
47	1-40-577-151	X	TRANSFORMATOR, , Y5Q
48	1-40-577-152	X	VERLOOPSTUK, , Y5R
49	1-40-577-153	X	CONDUIT, , Y5S
50	1-40-577-154	X	CONDUIT, , Y5U
51	1-40-577-155	X	CONDUIT, , Y5V
52	1-40-577-156	X	VERLOOPSTUK, , Y5X
53	1-40-577-157	X	CONDUIT, , Y5Y
54	1-40-577-158	X	CONDUIT, , Y5Z
55	1-40-577-118	X	VERBINDING, , Y60
56	1-40-577-119	X	VERBINDING, , Y61
57	1-40-577-159	X	VERLOOPSTUK, , Y6A
58	1-40-577-160	X	CONDUIT, , Y6B
59	1-40-577-161	X	CONDUIT, , Y6C
60	1-40-577-130	X	ELECTRISCHE ISOLATIE, , Y70 - Y-Stück / Y-splicer / Y-piece / Y-Stk. / Y-Pezzo
61	190003172413	X	MANTEL, FLEXIBEL, , 4,5-SW-GS - Bestelmengde : 1m / Order quantity : 1m / Commander quantité : 1m / Bestilt mængde 1m / Quantità ordine : 1m
62	190003172414	X	MANTEL, FLEXIBEL, , 6-SW-GS - Bestelmengde : 1m / Order quantity : 1m / Commander quantité : 1m / Bestilt mængde 1m / Quantità ordine : 1m
63	190003172415	X	MANTEL, FLEXIBEL, , 8,5-SW-GS - Bestelmengde : 1m / Order quantity : 1m / Commander quantité : 1m / Bestilt mængde 1m / Quantità ordine : 1m
64	190003172416	X	MANTEL, FLEXIBEL, , 11-SW-GS - Bestelmengde : 1m / Order quantity : 1m / Commander quantité : 1m / Bestilt mængde 1m / Quantità ordine : 1m
65	190003172417	X	MANTEL, FLEXIBEL, , 15-SW-GS - Bestelmengde : 1m / Order quantity : 1m / Commander quantité : 1m / Bestilt mængde 1m / Quantità ordine : 1m
66	190003172418	X	MANTEL, FLEXIBEL, , 19-SW-GS - Bestelmengde : 1m / Order quantity : 1m / Commander quantité : 1m / Bestilt mængde 1m / Quantità ordine : 1m
67	190003172419	X	MANTEL, FLEXIBEL, , 26-SW-GS - Bestelmengde : 1m / Order quantity : 1m / Commander quantité : 1m / Bestilt mængde 1m / Quantità ordine : 1m

04-27(01) CABLE HOSE, FRONT + REAR CONSOLES



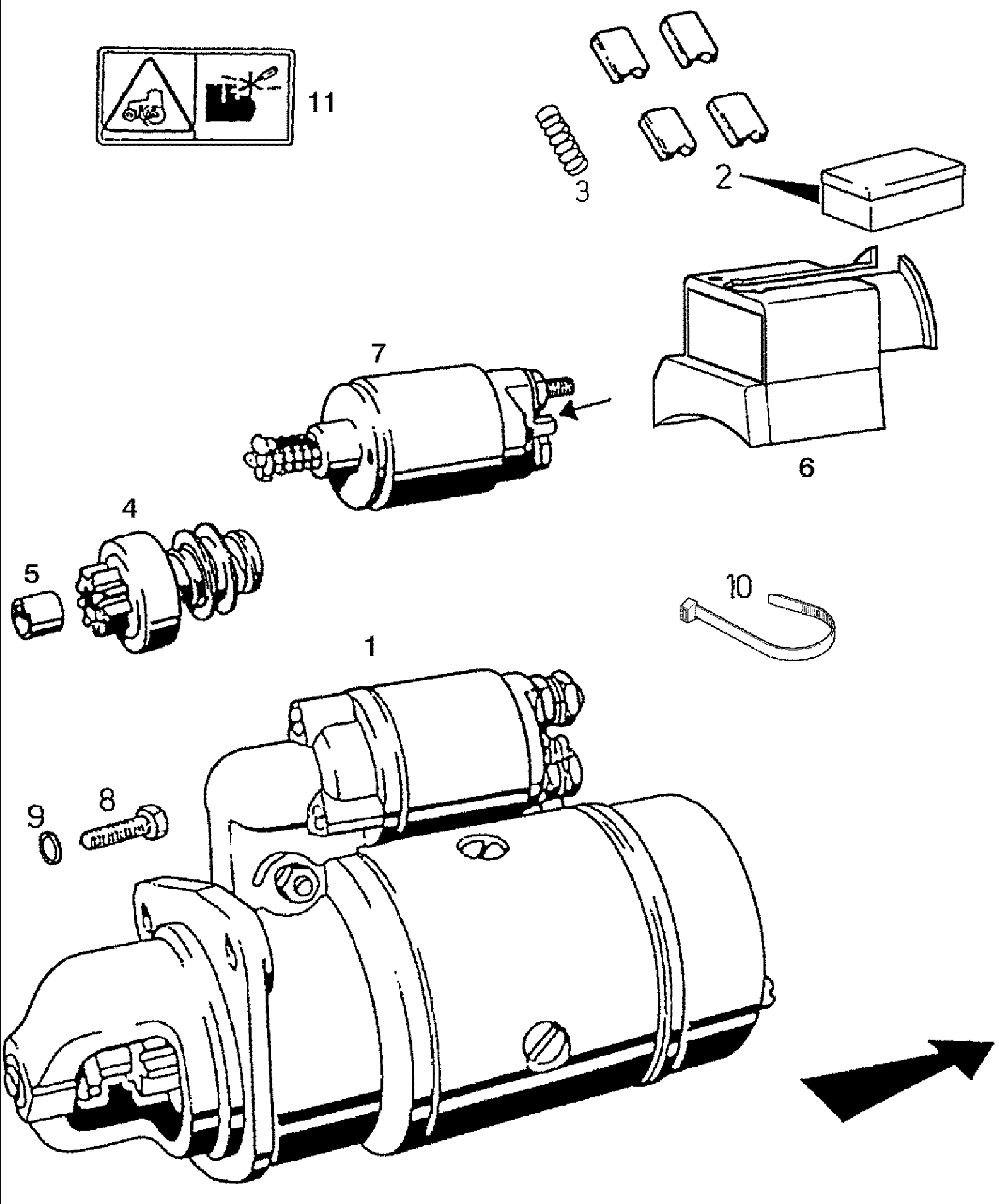
## 04-27(01) CABLE HOSE, FRONT + REAR CONSOLES

Ref	Onderdeelnummer	Kwt	Beschrijving
1	1-41-177-054	2	GELEIDER,
2	1-41-177-055	2	DICHTINGSSTUK,
3	1-41-571-052	2	GELEIDER, , T1 ; H=40mm ; Ersetzt / Replaces / Remplace / Udskiftet / Sostituisce 1-41-271-025
4	120100	4	BOUT, Hex, M6 x 20, 8.8,
5	1-41-571-053	2	GELEIDER, , T2 ; H=35mm ; Ersetzt / Replaces / Remplace / Udskiftet / Sostituisce 1-41-271-026
6	1-41-158-114	1	, ----> 03141
6	1-41-158-014	1	PLAAT, GROOT, , 03142 ---->
7	86508568	4	BOUT, Hex, M6 x 16, 8.8,
8	190003930251	2	SCHIJF, , A6,4-140HV-A3C
9	15896221	3	MOER, M6, CI 10, , M6-8-A2C, DIN934
10	1-40-458-111	1	STEUN, , 03142 ---->
11	190003840086	4	ZELFTAPPENDE SCHROEF, Cross Pan Hd, M4.3 x 13, , BL.St.4,2-C-H-A3R
12	1-40-277-014	1	ZEKERING, , 100A ; 03142 ---->
13	1-40-277-052	2	DRAAGARM,
14	190003171697	X	BEVESTIGINGSKLEM, , A5x180 / K02
15	1-40-277-013	1	TERMINAL CONNECTOR, , V21
16	1-40-177-117	1	KONZOOOL, , M8x1,25
17	190003802225	2	SCHROEF, , M5x20-8.8-A2C
18	190003935462	2	SLUITRING, , A5,1-A3C
19	825-1405	4	MOER, M5, CI 8,
20	190003930261	1	SLUITRING, , 8,4
21	43362	2	MOER, M8, CI 10,
22	1-41-171-012	1	COVER, PROTECTIVE, , 03142 ---->
23	190003930241	2	SLUITRING, , A5,3
24	153700320038	1	GUIDE, LEVERS,
25	336199	1	BOUT, Hex, M8 x 12, 8.8, Full Thd, , M8x12-8.8
26	1-41-158-020	1	SATELIETDRAGER, , Dach hoch - schmal / Roof, high - narrow / Toit-abri 'haut - etroit / Høj tag - smal / Tetto alto - sottile
27	1-41-171-027	1	GUIDE, LEVERS, , Klimaanlage Dach schmal / Air conditioner Roof narrow / Climatiseur Toit etroit / Klimaanlæg Tag smal / Climatizzatore Tetto sottile
28	190003179028	1	AFSCHERMING, , Bestellmenge / Order quantity / Commander quantité / Bestilt mængde / Quantità ordine 1m



## 04-28(01) BATTERY AND STARTER LEADS

Ref	Onderdeelnummer	Kwt	Beschrijving
A	1-41-277-013	1	CABLE ASSY., , (+) ; Anlasser / Starter / Démarreurmise / Starter / Motorino di avviamento
B	1-41-177-317	1	, (-) ; ----> 01413
C	1-41-277-114	1	KABEL, , (-) ; 01414 ---->
D	1-41-177-311	1	, (-)
E	1-41-577-018	1	ELECTRISCHE KABEL, , (-) ; Ersetzt / Replaces / Remplace / Udskiftet / Sostituisce 1-41-177-312 ; Anlasser, Kabine - Masse / Starter, Cab - Grounding / Démarreurmise, Cabine - Masse / Starter, Kabine - Stel / Motorino di avviamento, Cabina - Massa
F	1-41-177-616	1	KABEL, , (+) ; 03142 ----> ; Stromversorgung / Current supply / Alimentation en courant / Strømforsyning / Alimentazione elettrica
1	1-40-776-010	1	DROGE BATTERIJ, , 95/480Ah/12V ; Ersetzt / Replaces / Remplace / Udskiftet / Sostituisce 1-41-176-091, 1-40-276-111
2	1-41-177-314	1	STEUN,
3	1-41-177-316	1	STEUN,
4	16043224	2	BOUT, Hex, M8 x 16, 8.8, Full Thd,
5	43362	1	MOER, M8, CI 10,
6	1-33-176-030	1	HOEKSTUK, , Ersetzt / Replaces / Remplace / Udskiftet / Sostituisce 1397760088
7	43127	2	BOUT, Hex, M8 x 25, 8.8,
8	120104	2	BOUT, Hex, M8 x 20, 8.8,
9	1-41-177-012	1	DICHTINGSSTUK,
10	190003171697	X	BEVESTIGINGSKLEM, , A5x180 / K02
11	190003170283	2	BUISKLEM, , A8x280 / K04
12	190003439922	1	VERBINDING, , (+) H01
13	190003499661	1	KABELSCHOEN, , B01
14	190003499668	1	KABELSCHOEN, , B03
15	190003499673	2	KABELSCHOEN, , B05
16	190003499672	3	AANSLUITKLEM, , B07
17	190003499677	1	TERMINAL CONNECTOR, , B09
18	190003497006	4	KABEL, , B10
19	169200770261	1	KABELSCHOEN, , C16
20	1-40-277-002	1	TERMINAL CONNECTOR, , C30
21	1-40-276-003	1	KABELDOORGANG, , Q49
22	12130090030	1	FAIRING, LIGHT, , U05 ; ----> 03141
23	169200770198	2	FLEXIBELE BUIS, , J10
24	189000190043	4	ELECTRISCHE ISOLATIE, , J21
25	1-40-171-303	1	AFSCHERMING, , 03142 ---->
26	133700770042	1	VERBINDING, , S09
27	190003439928	1	CONNECTOR, , (-) H04
28	190003930261	4	SLUITRING, , 8,4




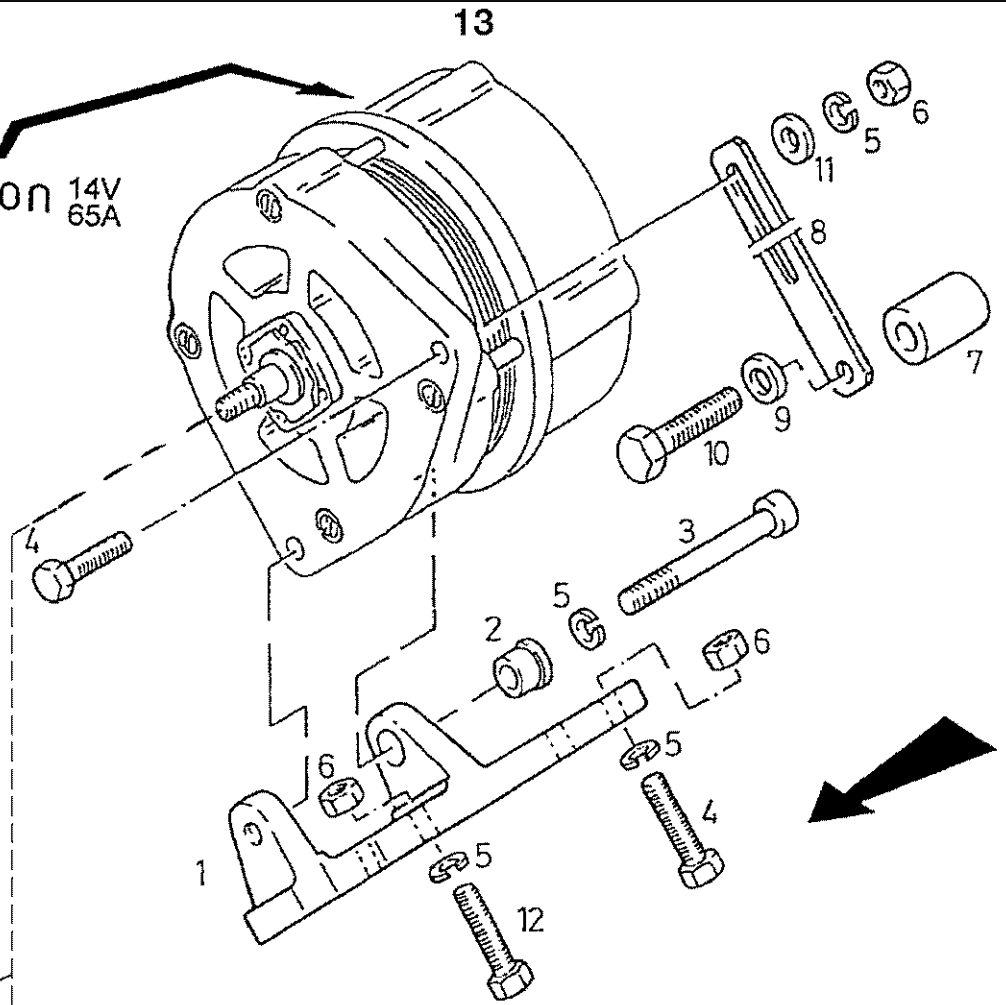
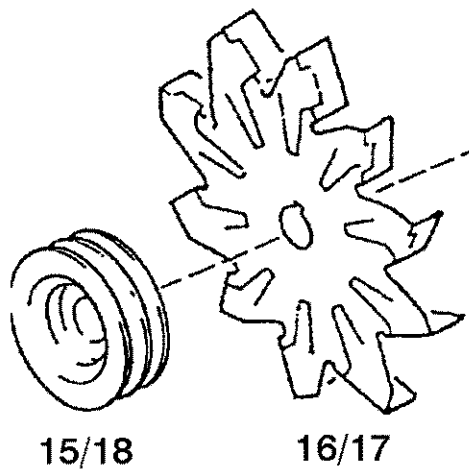
## 04-29(01) STARTER


Ref	Onderdeelnummer	Kwt	Beschrijving
1	130100090735	1	STARTMOTOR, , Einschließlich / Includes / Avec / Inklusive / Compreso 2 - 5, 7
2	130100090736	1	BORSTELHOUDER,
3	130100090729	4	TANDWIEL,
4	130100090730	1	PIGNON,
5	130100090705	1	LAGERBUS,
6	1-40-171-303	1	AFSCHERMING, , 03141 ---->
7	130100090731	1	SWITCH, SOLENOID,
8	190003802527	3	SCHROEF, , M10x30-8.8
9	130100020701	3	RING,
10	190003170283	1	BUISKLEM, , A8x280 / K04
11	1-34-577-307	1	PLAAT,

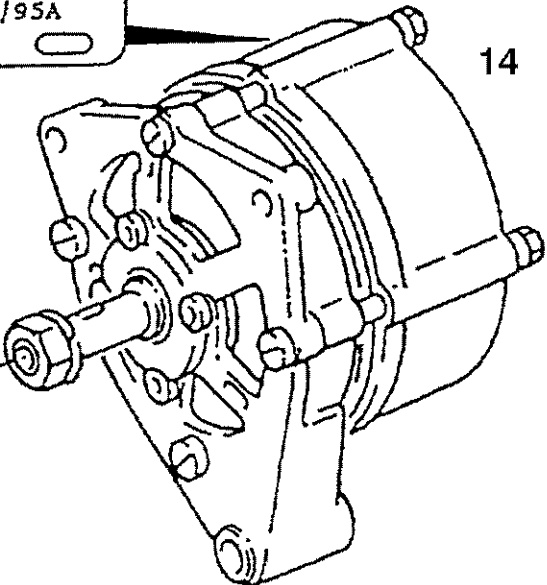


04-30(01) ALTERNATOR INSTALLATION

 **MAGNETON** 14V  
65A



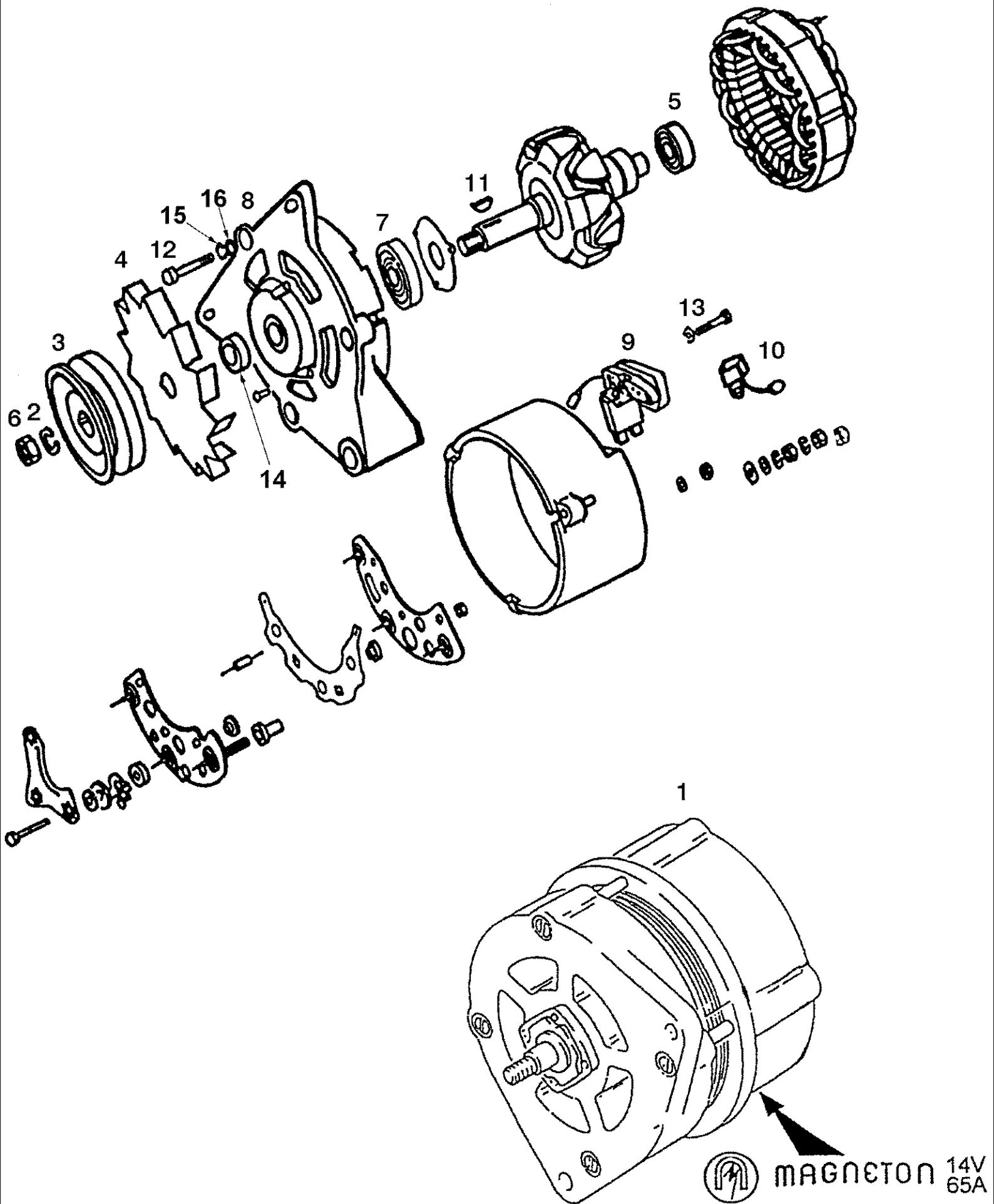
**BOSCH**   
0 120 484 015   
K1—14V 20/95A  
Made in Germany



## 04-30(01) ALTERNATOR INSTALLATION

Ref	Onderdeelnummer	Kwt	Beschrijving
1	130100090740	1	STEUNBEUGEL,
2	130100090737	1	LAGERBUS,
3	190003862477	1	SCHROEF, , M8x80-10.9
4	15213321	3	BOUT, Hex, M8 x 35, 8.8,
5	130100010705	4	RING,
6	190003871258	3	MOER, , MM8x1-10
7	130100090733	1	AFSTANDSRING,
8	130100090732	1	VERWISSELBAAR RISTERVOORS,
9	190003930108	1	SLUITRING, , A10,5
10	190003800544	1	SCHROEF, , M10x50-10.9-A3C
11	130100090734	1	SCHIJF,
12	43128	1	BOUT, Hex, M8 x 30, 8.8,
13	130100090744	1	ALTERNATOR, , 65Amp. ; Siehe nächste Seite(n) / System see next page(s) / Voir page(s) suivante(s) / Se næste side(r) / Vedere pagin(a/e) seguent(e/i)
14	130100090005	1	ALTERNATOR, , 95 Amp. ; Kabine schmal mit Klimaanlage / Cab narrow with air conditioner / Cabine etroit avec climatiseur / Kabine smal med klimaanlæg / Cabina sottile con climatizzatore ; Siehe nächste Seite(n) / System see next page(s) / Voir page(s) suivante(s) , Se næste side(r) / Vedere pagin(a/e) seguent(e/i)
15	130100090747	1	RIEMSCHIJF,
16	130100090748	1	LEIDING,
17	130100090008	1	PIGNON, , 95Amp
18	130100090004	1	RIEMSCHIJF, , 95Amp

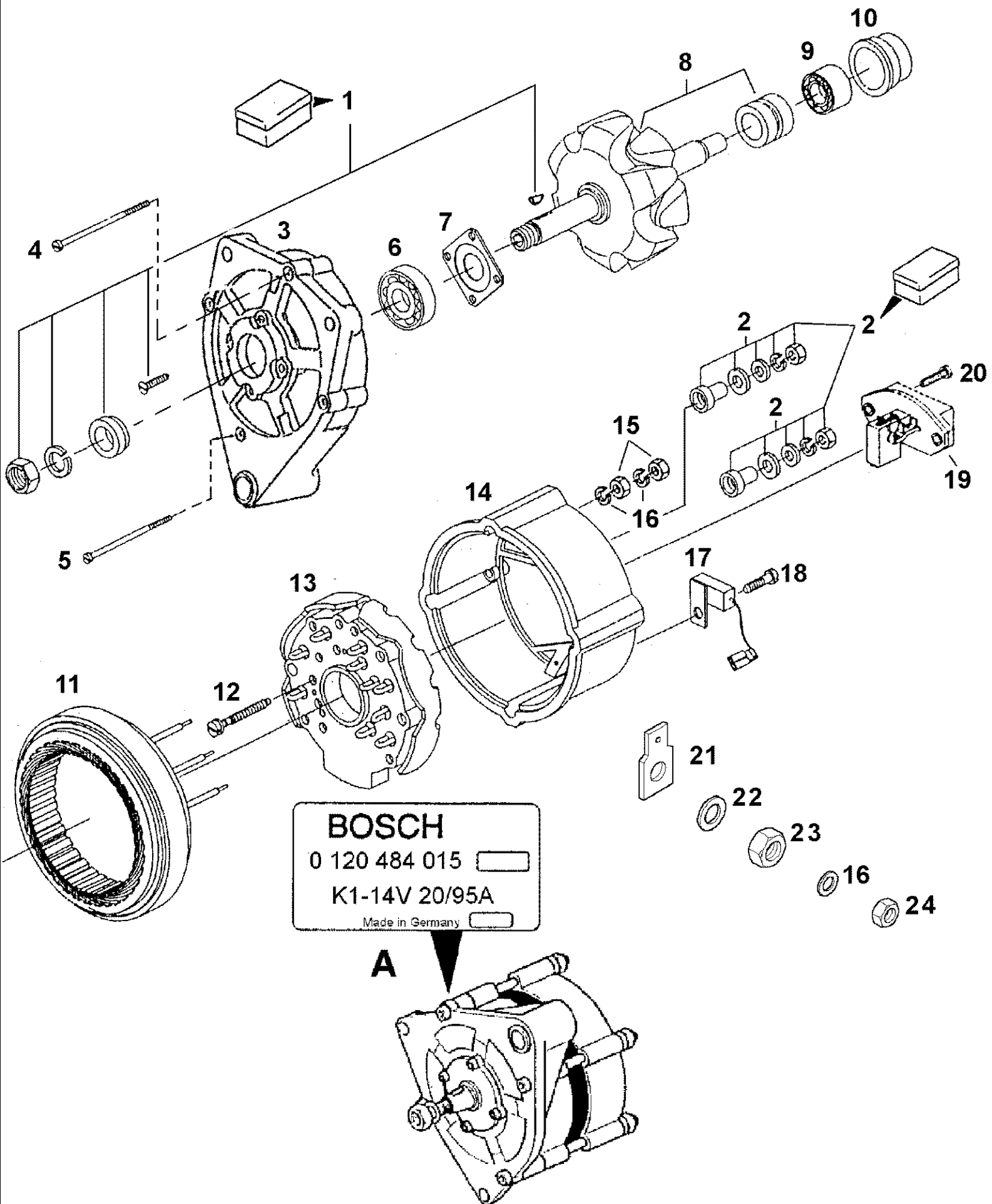
04-31(01) ALTERNATOR ASSEMBLY



## 04-31(01) ALTERNATOR ASSEMBLY

Ref	Onderdeelnummer	Kwt	Beschrijving
1	130100090744	1	ALTERNATOR, , 65Amp ; Besteht aus/Consists of/Compose de/Bestående af/È composto da 2 - 13
2	130100090746	1	VEERRING,
3	130100090747	1	RIEMSCHIJF,
4	142000090067	1	VENTILATOR, , 65/95Amp Magnetti
5	130100090750	1	LAGER, KOGEL,
6	142000090008	1	MOER, , M14x1,5
7	130100090757	1	LAGER, KOGEL,
8	130100090752	1	LAGERHUIS,
9	130100090753	1	BORSTELHOUDER,
10	130100090755	1	CAPACITOR,
11	142000090719	1	RING, SNAP,
12	142000090715	3	SCHROEF,
13	142000090721	2	COVER ASSY,
14	130100090787	1	AFSTANDSRING,
15	142000090716	3	SLUITRING,
16	142000090717	3	SLUITRING,

04-32(01) ALTERNATOR ASSEMBLY



## 04-32(01) ALTERNATOR ASSEMBLY

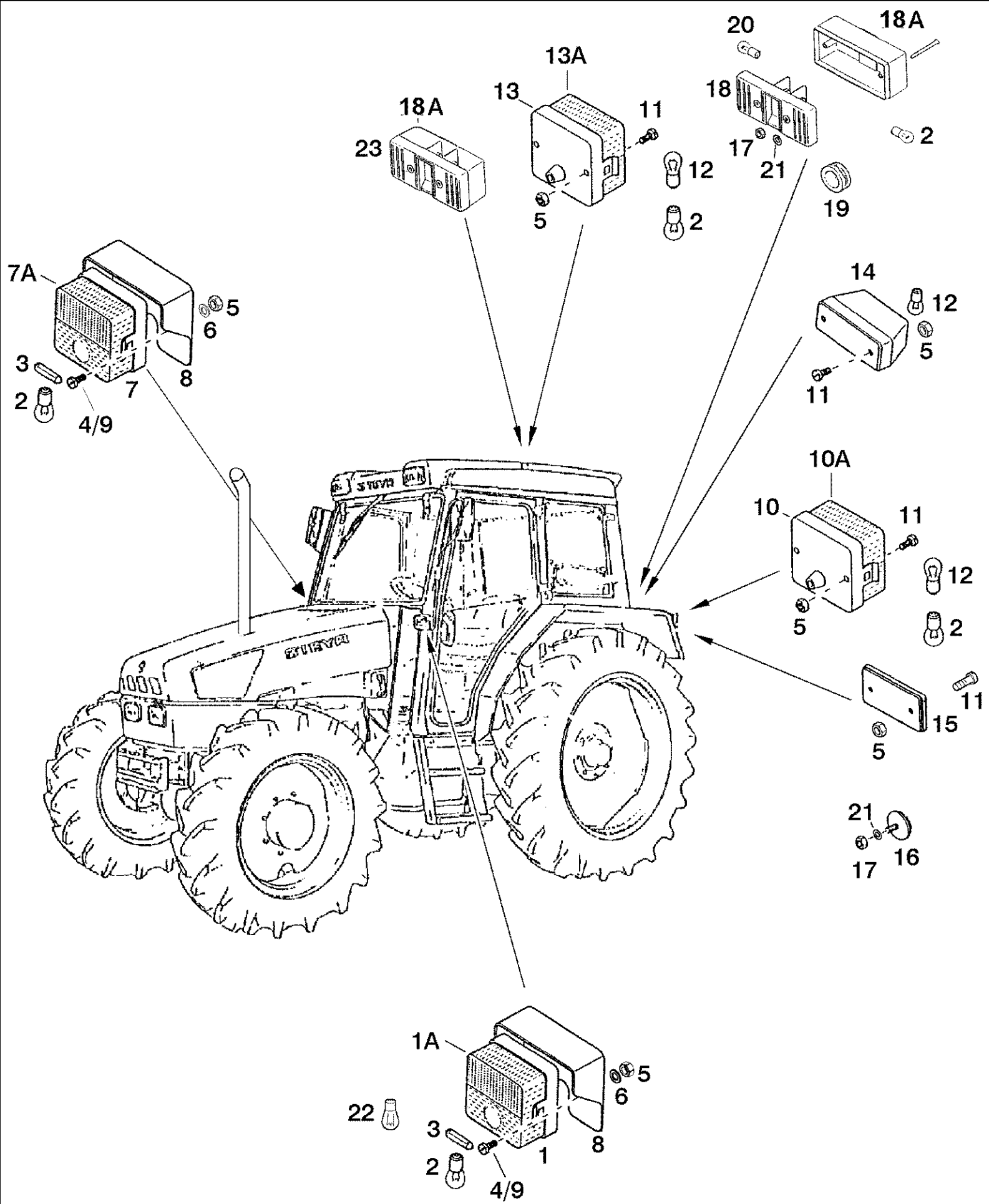
Ref	Onderdeelnummer	Kwt	Beschrijving
A	130100090005	1	ALTERNATOR, , 95 Amp ; Besteht aus / Consists of / Compose de / Bestående af / È composto da 1 - 20
1	161200090713	1	STEL ONDERDELEN,
2	130100090766	1	SET OF PARTS,
3	130100090758	1	LAGERHUIS,
4	130100090773	3	SCHROEF,
5	130100090774	1	SCHROEF,
6	130100090759	1	LAGER, KOGEL,
7	161000090762	1	PLAAT,
8	130100090760	1	DRAAIWIE,
9	130100090761	1	LAGER, KOGEL,
10	131100090723	1	AFSTANDSRING,
11	130100090765	1	CHASSIS,
12	131100090724	2	SCHROEF,
13	130100090763	1	GELIJKRICHTER,
14	130100090762	1	HUIS,
15	15896411	2	MOER, M5, CI 8,
16	190003932020	3	SLUITRING, , A5-FST-A3C
17	161000090063	1	CONDENSATOR,
18	190003822212	1	SCHROEF, , M5x10
19	130100090771	1	REGELAAR,
20	1530431C1	2	BOUT,
21	133700770042	1	VERBINDING, , S09
22	190003932030	1	SCHIJFVEER, , A8-FST-A3C
23	825-1408	1	MOER, M8, CI 8,
24	825-1405	3	MOER, M5, CI 8,



## 04-33(01) HEADLAMP FRONT, SIGNAL HORN

Ref	Onderdeelnummer	Kwt	Beschrijving
1	1-40-171-040	1	HOORN,
2	43128	1	BOUT, Hex, M8 x 30, 8.8,
3	190003888451	1	MOER, , VM8-8
4	896-11008	1	SLUITRING, M8 x 17.5 x 2, HT, , 9 x 17 x 2 mm
5	190003499650	2	KABELSCHOEN, , G01
6	1407090013	2	BESCHERMDEKSEL, , W03
7	1-34-172-045	2	KOPLAMP, , Für Rechtsverkehr / For right-hand traffic / Pour circulation a droite / Til højrestyring / Anche per guida a destra
7	1-34-172-145	2	KOPLAMP, , Für Linksverkehr / For left hand traffic / Pour circulation a gauche / Til venstrestyring / Anche per guida a sinistra
8	190003450013	2	LAMP, , H4-12V60/55W
9	199000720006	2	LAGERBUS, , M21 ; 3-Polig / 3-pole / À 3 pôle / 3-polet / 3 polo
10	179000770080	6	LAGERBUS, , G10
11	193730010	1	AFSTANDSRING,
12	190003820141	4	SCHROEF, , M4X25-A2/A2T
13	190003170283	2	BUISKLEM, , A8x280 / K04
14	190003171697	5	BEVESTIGINGSKLEM, , A5x180 / K02
15	1-34-772-042	2	LENS/REFLEKTOR GROEP, , Ersetzt / Replaces / Remplace / Udskiftet / Sostituisce 1-34-772-063 ; Für Rechtsverkehr / For right-hand traffic / Pour circulation a droite / Til højrestyring / Anche per guida a destra
16	1-34-772-028	1	MONTUUR, , Ersetzt / Replaces / Remplace / Udskiftet / Sostituisce 1-34-772-064
17	1-34-772-029	2	VEER, , Ersetzt / Replaces / Remplace / Udskiftet / Sostituisce 1-34-772-065
18	1-34-772-030	2	SCHROEF, , Ersetzt / Replaces / Remplace / Udskiftet / Sostituisce 1-34-772-066
19	1-34-772-011	1	STOFKAP, , Ersetzt / Replaces / Remplace / Udskiftet / Sostituisce 1-34-772-067, 1-34-772-068





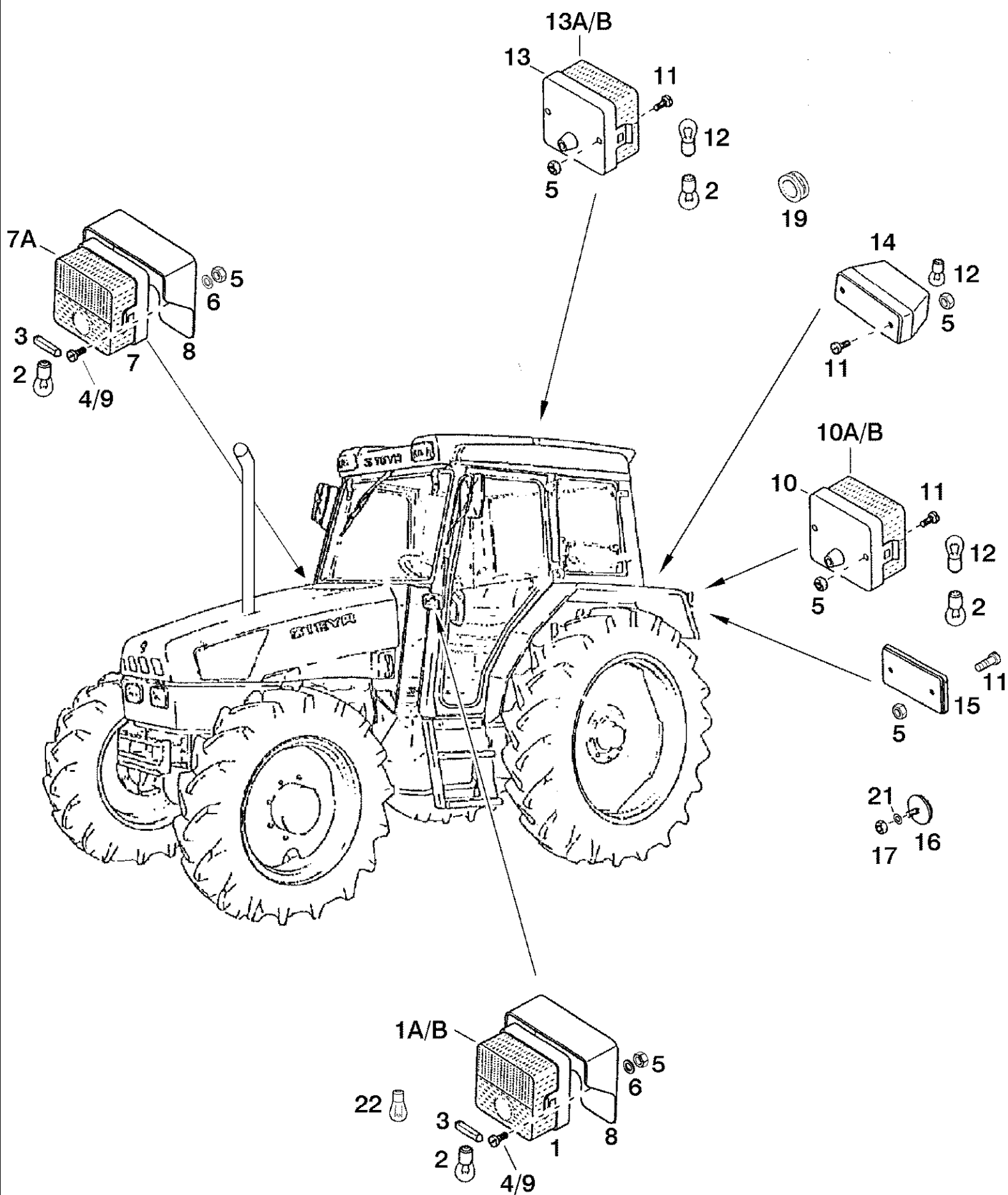
## 04-34(01) LAMPS FLASH AND STOP LIGHT YOKON (NIOX)

Ref	Onderdeelnummer	Kwt	Beschrijving
1	1-40-173-002	1	LAMP VOORAAN, , YOKON (NIOX) ; Links vorne / Front left hand side / Gauche avant / Forrest til venstre / Anteriore sinistro ; Ersetzt / Replaces / Remplace / Udskiftet / Sostituisce 1-40-773-001 ; Für Kabine / For Cab / Pour la cabine / Til kabine / Per la cabina , Dach hoch, nieder, schmal / Roof high, low, narrow / Toit-abri 'haut, bas, etroit / Høj tag, lav, smal / Tetto alto, basso, sottile
1A	1-40-773-001	1	TRANSPARENTE, , YOKON (NIOX) ; Links vorne / Front left hand side / Gauche avant / Forrest til venstre / Anteriore sinistro
2	190003452245	X	LAMP, , P25-1-12V21W
3	190003452216	X	LAMP, , G-12V5W
4	190003820165	4	SCHROEF, , M5x16
5	825-1405	10	MOER, M5, CI 8,
6	190003930241	4	SLUITRING, , A5,3
7	1-40-173-003	1	LAMP VOORAAN, , YOKON (NIOX) ; Rechts vorne / Front right hand side / Avant-droit / Forrest til højre / Anteriore destro ; Ersetzt / Replaces / Remplace / Udskiftet / Sostituisce 1-40-773-002 ; Für Kabine / For Cab / Pour la cabine / Til kabine / Per la cabina , Dach hoch, nieder, schmal / Roof high, low, narrow / Toit-abri 'haut, bas, etroit / Høj tag, lav, smal / Tetto alto, basso, sottile
7A	1-40-773-002	1	LENS, , YOKON (NIOX) ; Rechts vorne / Front right hand side / Avant-droit / Forrest til højre / Anteriore destro
8	1-40-173-001	2	DEKSEL, , Ersetzt / Replaces / Remplace / Udskiftet / Sostituisce 1-34-073-001
9	190003802225	4	SCHROEF, , M5X20-8.8-A2C
10	1-40-176-002	1	ACHTERLICHT, , YOKON (NIOX) ; Links hinten / Rear left hand side / Gauche arrière / Bagest til venstre / Posteriore sinistro
10A	1-40-776-002	1	TRANSPARENTE, , YOKON (NIOX) ; Links hinten / Rear left hand side / Gauche arrière / Bagest til venstre / Posteriore sinistro
11	190003820164	10	SCHROEF, , M5X12-4.8-A2C
12	190003452241	X	LAMP, , G-12V10W
13	1-40-176-003	1	ACHTERLICHT, , YOKON (NIOX) ; Rechts hinten / Rear right hand side / Arrière-droit / Bagest til højre / Posteriore destro
13A	1-40-776-003	1	TRANSPARENTE, , YOKON (NIOX) ; Rechts hinten / Rear right hand side / Arrière-droit / Bagest til højre / Posteriore destro
14	1-34-176-085	1	LAMP,
15	1-34-176-050	2	RETRO-REFLECTOR,
16	189000810001	2	BUITENREFLECTOR,
17	15896221	X	MOER, M6, CI 10, , M6-8-A2C, DIN934
18	1-34-176-048	1	LAMP, , YOKON (NIOX) ; Schmal - Links hinten / Narrow - Rear left hand side / Etroit - Gauche arrière / Smal - Bagest til venstre / Sottile - Posteriore sinistro Sottile
18A	1-34-776-008	2	LENS, , YOKON (NIOX) ; Links + Rechts vorne / Left + Right front / Gauche + Droite avant / Venstre + Højre forrest / Sinistro + Destra davanti
19	190003129010	2	KABELDOORGANG, , Q05 ; 10x1
20	190003452246	2	LAMP, , SL-12V21/5W

M968 STEYR TRACTOR / --->04939 (6/97-3/99) - Elektrisch Systeem

04-34(01) LAMPS FLASH AND STOP LIGHT YOKON (NIOX)

Ref	Onderdeelnummer	Kwt	Beschrijving
21	190003936101	6	SLUITRING, , 6,4-140HV-A3C
22	190003452276	2	LAMP, , L-12V5W
23	1-34-176-047	1	LAMP, , YOKON (NIOX) ; Schmal - Links hinten / Narrow - Rear left hand side / Etroit - Gauche arrière / Smal - Bagest til venstre / Sottile - Posteriore sinistro Sottile



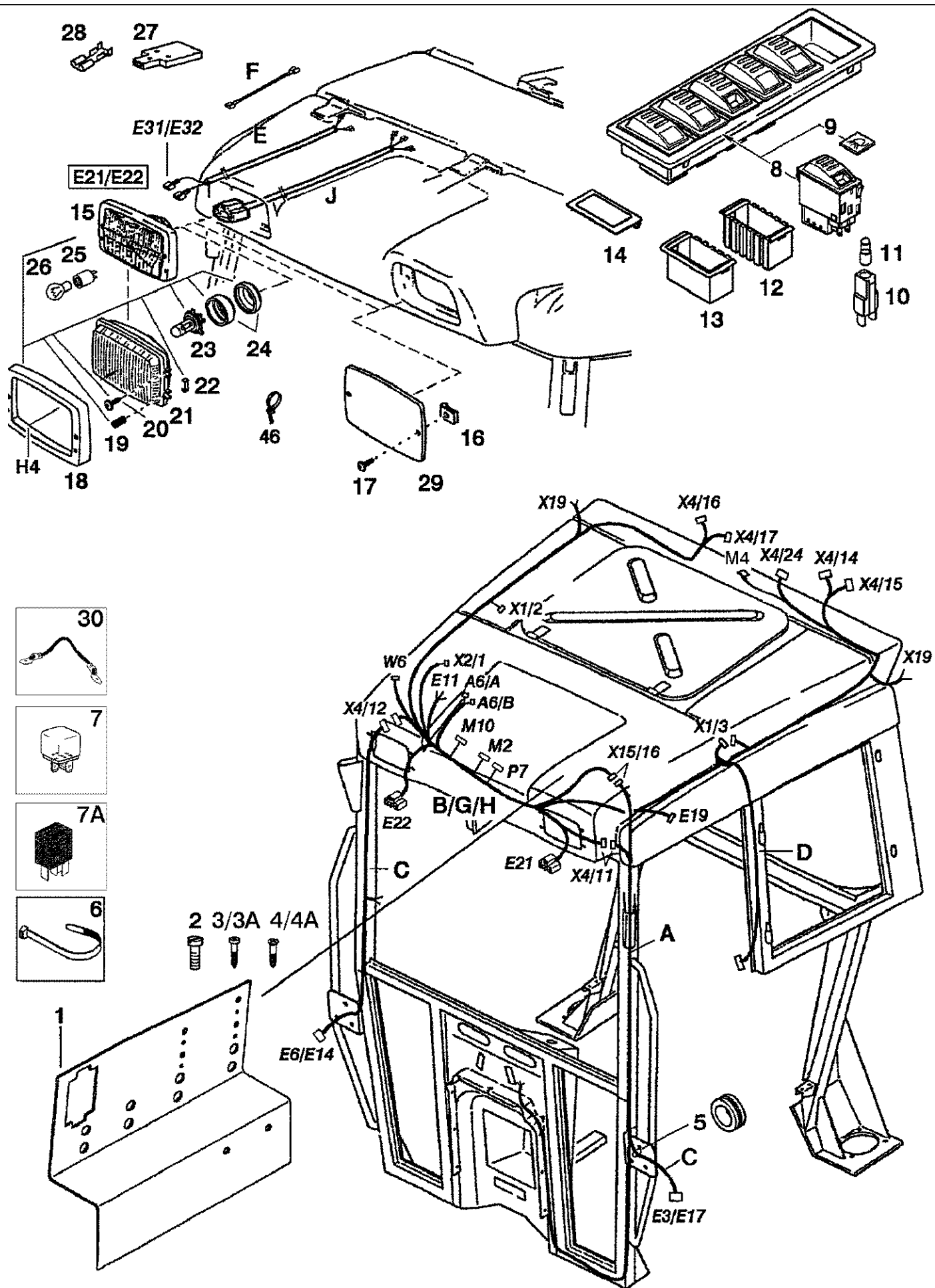
## 04-34(02) LAMPS FLASH AND STOP LIGHT HELLA

Ref	Onderdeelnummer	Kwt	Beschrijving
1	1-34-173-011	1	LAMP VOORAAN, , HELLA ; Links vorne / Front left hand side / Gauche avant / Forrest til venstre / Anteriore sinistro
1A	1-34-773-007	2	TRANSPARENTE, , HELLA ; Links + Rechts vorne / Left + Right front / Gauche + Droite avant / Venstre + Højre forrest / Sinistro + Destra davanti
1	1-40-173-004	1	LIGHT, , HELLA ; Links vorne / Front left hand side / Gauche avant / Forrest til venstre / Anteriore sinistro
1B	1-40-773-004	1	LENS, , HELLA ; Links vorne / Front left hand side / Gauche avant / Forrest til venstre / Anteriore sinistro
2	190003452245	X	LAMP, , P25-1-12V21W
3	190003452216	X	LAMP, , G-12V5W
4	190003820165	4	SCHROEF, , M5x16
5	825-1405	10	MOER, M5, CI 8,
6	190003930241	4	SLUITRING, , A5,3
7	1-40-173-005	1	LIGHT, , HELLA ; Rechts vorne / Front right hand side / Avant-droit / Forrest til højre / Anteriore destro
7A	1-40-773-005	1	LENS, , HELLA ; Rechts vorne / Front right hand side / Avant-droit / Forrest til højre / Anteriore destro
7	1-34-173-010	1	LAMP VOORAAN, , HELLA ; Rechts vorne / Front right hand side / Avant-droit / Forrest til højre / Anteriore destro ; Einschließlich / Includes / Avec / Inklusive / Compreso 1A
8	1-40-173-001	2	DEKSEL, , HELLA ; Ersetzt / Replaces / Remplace / Udskiftet / Sostituisce 1-34-073-001
9	190003802225	4	SCHROEF, , M5X20-8.8-A2C
10	1-34-176-061	1	ACHTERLICHT, , HELLA ; Links hinten / Rear left hand side / Gauche arrière / Bagest til venstre / Posteriore sinistro
10A	1-34-776-010	1	TRANSPARENTE, , HELLA ; Links hinten / Rear left hand side / Gauche arrière / Bagest til venstre / Posteriore sinistro
10	1-40-176-006	1	ACHTERLICHT, , HELLA ; Links hinten / Rear left hand side / Gauche arrière / Bagest til venstre / Posteriore sinistro
10B	1-40-776-006	1	LENS, , HELLA ; Links hinten / Rear left hand side / Gauche arrière / Bagest til venstre / Posteriore sinistro
11	190003820164	10	SCHROEF, , M5X12-4.8-A2C
12	190003452241	X	LAMP, , G-12V10W
13	1-34-176-060	1	INSTRUMENTENLICHT, , HELLA ; Rechts hinten / Rear right hand side / Arrière-droit / Bagest til højre / Posteriore destro
13A	1-34-776-010	1	TRANSPARENTE, , HELLA ; Rechts hinten / Rear right hand side / Arrière-droit / Bagest til højre / Posteriore destro
13	1-40-176-007	1	LIGHT, , HELLA ; Rechts hinten / Rear right hand side / Arrière-droit / Bagest til højre / Posteriore destro
13B	1-40-776-007	1	LENS, , HELLA ; Rechts hinten / Rear right hand side / Arrière-droit / Bagest til højre / Posteriore destro
14	1-34-176-085	1	LAMP,
15	1-34-176-050	2	RETRO-REFLECTOR,
16	189000810001	2	BUITENREFLECTOR,
17	15896221	X	MOER, M6, CI 10, , M6-8-A2C, DIN934
19	190003129010	2	KABELDOORGANG, , Q05 ; 10x1

## 04-34(02) LAMPS FLASH AND STOP LIGHT HELLA

Ref	Onderdeelnummer	Kwt	Beschrijving
21	190003936101	6	SLUITRING, , 6,4-140HV-A3C
22	190003452276	2	LAMP, , L-12V5W

04-35(01) FRONT LIGHTS - CAB



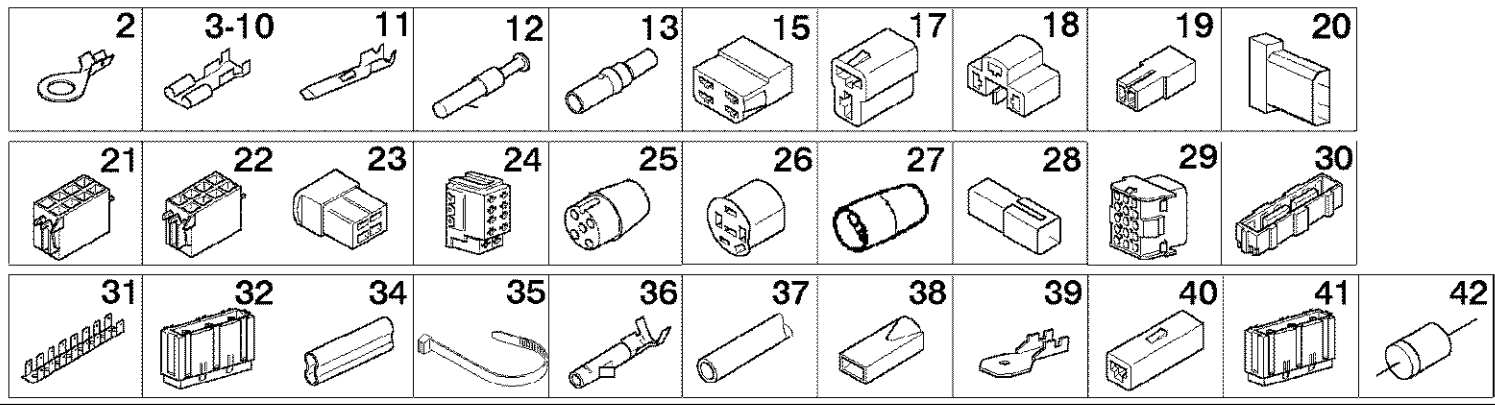
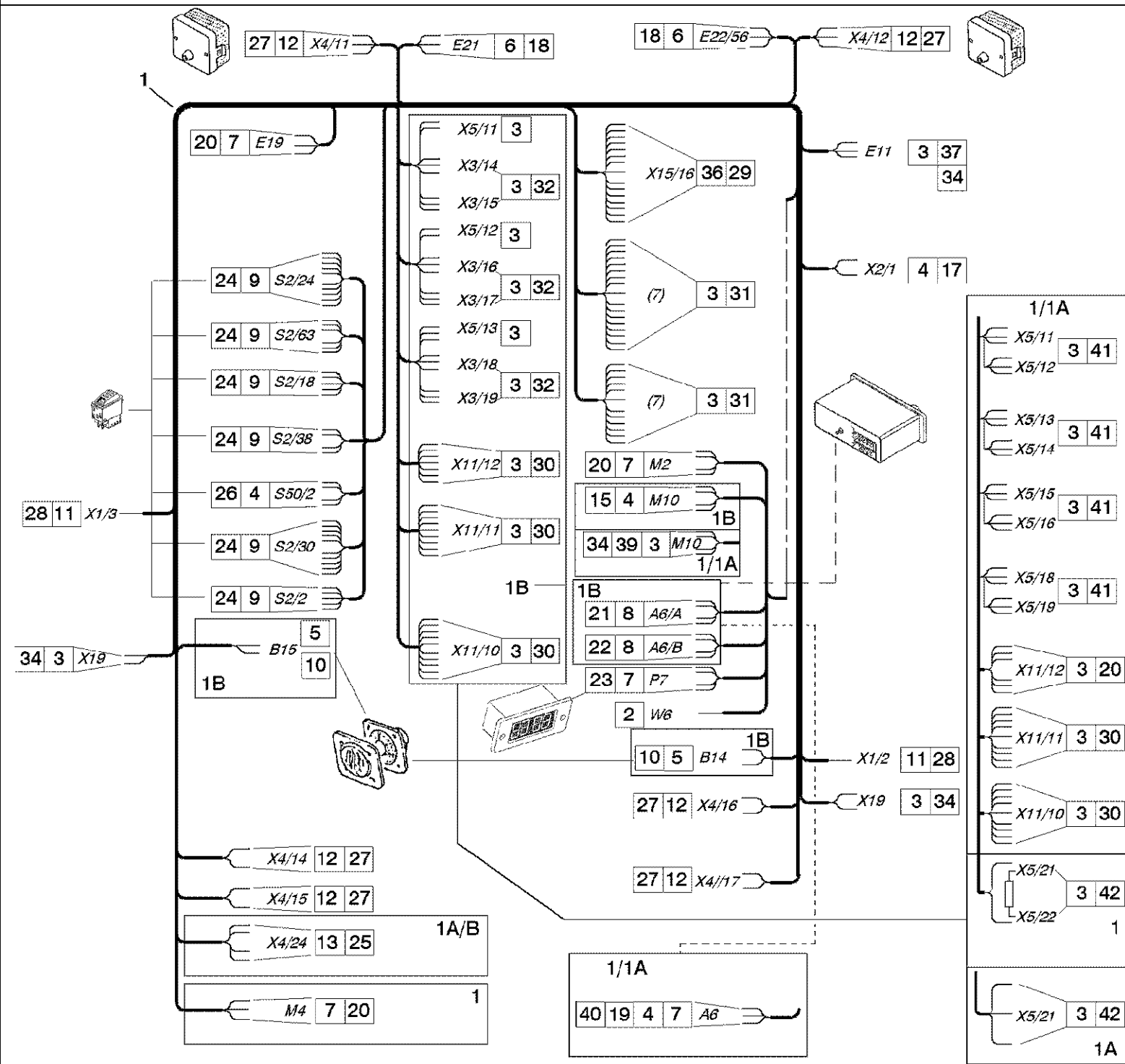
## 04-35(01) FRONT LIGHTS - CAB

Ref	Onderdeelnummer	Kwt	Beschrijving
A	1-41-177-221	1	, ----> 03141
A	1-41-177-621	1	CABLE ASSY., , 03142 ----> ; Siehe nächste Seite(n) / See next page(s) / Voir page(s) suivante(s) / Se næste side(r) / Vedere pagin(a/e) sequent(e/i)
B	1-41-177-220	1	HARNESS, , ----> 02353
B	1-41-177-225	1	, 02354 ----> 03141
B	1-41-177-625	1	CABLE ASSY., , 03142 ----> ; Siehe nächste Seite(n) / See next page(s) / Voir page(s) suivante(s) / Se næste side(r) / Vedere pagin(a/e) sequent(e/i)
C	1-41-177-222	2	KABEL, , Siehe nächste Seite(n) / See next page(s) / Voir page(s) suivante(s) / Se næste side(r) / Vedere pagin(a/e) sequent(e/i)
D	1-41-177-223	2	LEIDING, , Siehe nächste Seite(n) / See next page(s) / Voir page(s) suivante(s) / Se næste side(r) / Vedere pagin(a/e) sequent(e/i)
E	1-41-177-073	2	KABEL, , Siehe nächste Seite(n) / See next page(s) / Voir page(s) suivante(s) / Se næste side(r) / Vedere pagin(a/e) sequent(e/i)
F	1-41-177-003	1	LEIDING, , Siehe nächste Seite(n) / See next page(s) / Voir page(s) suivante(s) / Se næste side(r) / Vedere pagin(a/e) sequent(e/i)
G	1-41-177-224	1	, ----> 02353
G	1-41-177-226	1	HARNESS, , 02354 ----> 03141
G	1-41-177-626	1	HARNESS, , 03142 ----> ; Dach nieder / Roof, low / Toit-abri de bas / Høj lav / Tetto basso ; Siehe nächste Seite(n) / See next page(s) / Voir page(s) suivante(s) / Se næste side(r) / Vedere pagin(a/e) sequent(e/i)
H	1-41-177-627	1	CABLE ASSY., , Dach schmal / Roof narrow / Toit etroit / Tag smal / Tetto sottile ; Siehe nächste Seite(n) / See next page(s) / Voir page(s) suivante(s) / Se næste side(r) / Vedere pagin(a/e) sequent(e/i)
I	1-41-177-074	2	KABEL, , Dach nieder / Roof, low / Toit-abri de bas / Høj lav / Tetto basso ; Siehe nächste Seite(n) / See next page(s) / Voir page(s) suivante(s) / Se næste side(r) / Vedere pagin(a/e) sequent(e/i)
1	1-41-158-124	1	, ----> 03141
1	1-41-158-020	1	SATELIETDRAGER, , 03142 ----> ; Dach hoch - schmal / Roof, high - narrow / Toit-abri 'haut - etroit / Høj tag - smal / Tetto alto - sottile
2	190003840044	2	SCHROEF, , 4,8x16
3	190003843041	6	SCHROEF, , ST3,5x13-C-H-A3C
3A	190003844712	4	ZELFTAPPENDE SCHROEF, Cross Csk Hd, M3.5 x 19, , 3,5x19
4	190003844708	4	SCHROEF, , ST2,9x9,5-C-H-A3R
4A	190003840018	4	SCHROEF, , ST2,9x6,5-C-H-A3C ; Kabine schmal / Cab narrow / Cabine etroit / Kabine smal / Cabina sottile
5	190003129042	2	KABELDOORGANG, , Q02 ; 6x3
6	190003171697	X	BEVESTIGINGSKLEM, , A5x180 / K02
7	1-40-758-024	2	RELAIS, , ----> 03141 ; 40/60A ; Ersetzt / Replaces / Remplace / Udskiftet / Sostituisce 1-40-158-047, 139900580047
7A	82023238	2	RELAIS, , 03142 ----> ; 15/25 ; Ersetzt / Replaces / Remplace / Udskiftet / Sostituisce 1-40-258-111
8	1-40-158-604	1	SCHAKELAAR, , (0-1) ; Ersetzt / Replaces / Remplace / Udskiftet / Sostituisce 139900580066
9	139900580086	1	SYMBOLLEN,



## 04-35(01) FRONT LIGHTS - CAB

Ref	Onderdeelnummer	Kwt	Beschrijving
10	169200580087	1	AANSLUITING,
11	190003452250	1	LAMP, , W5x1,2-12V 1,2W
12	135700710003	X	HUIS, , 4-Polig / 4-pole / À 4 pôle / 4-polet / 4 polo
13	135700710002	2	RAAM,
14	139900580021	X	DEKSEL,
15	1-40-172-001	2	WERKLAMP, , H4 ; Für Rechtsverkehr / For right-hand traffic / Pour circulation a droite / Til højrestyring / Anche per guida a destra
15	1-40-172-101	2	LAMP, , H4 ; Für Linksverkehr / For left hand traffic / Pour cication a gauche / Til venstrestyring / Anche per guida a sinistra
15	1-40-172-006	2	KOPLAMP, , H4 ; Für Rechtsverkehr + Positionslicht / For right-hand traffic + position lamp / Pour circulation a droite + lampe de posit / Til højrestyring + positionslys / Anche per guida a destra + luci di posizione
15	1-40-172-106	2	LENS VOOR KOPLAMP, , H4 ; Für Linksverkehr + Positionslicht / For left hand traffic + position lamp / Pour cication a gauche + lampe de posit / Til venstrestyring + positionslys / Anche per guida a sinistra + luci di posizione
16	190003699574	4	MOER, , B4,2/11745-A3C
17	190003844618	4	SCHROEF, , ST4,2x32-C-H-A3R
18	1-34-772-028	2	MONTUUR,
19	1-34-772-030	2	SCHROEF,
20	190003840039	4	SCHROEF, , ST4,2x38
21	1-40-772-006	2	TRANSPARENTE, , Für Rechtsverkehr / For right-hand traffic / Pour circulation a droite / Til højrestyring / Anche per guida a destra
21	1-40-772-010	2	TRANSPARENTE, , Für Linksverkehr / For left hand traffic / Pour cication a gauche / Til venstrestyring / Anche per guida a sinistra
21	1-40-772-008	2	TRANSPARENTE, , Für Rechtsverkehr + Positionslicht / For right-hand traffic + position lamp / Pour circulation a droite + lampe de posit / Til højrestyring + positionslys / Anche per guida a destra + luci di posizione
21	1-40-772-011	2	LIGHT ASSY., , Für Linksverkehr + Positionslicht / For left hand traffic + position lamp / Pour cication a gauche + lampe de posit / Til venstrestyring + positionslys / Anche per guida a sinistra + luci di posizione
22	1-34-772-029	2	VEER,
23	190003450013	2	LAMP, , H4-12V60/55W
24	1-34-772-011	2	STOFKAP,
25	1-40-772-009	2	AANSLUITING,
26	190003452212	2	LAMP, , T4/4-12V/4W
27	179100770022	3	VERBINDING, , V03 ; 3-Polig / 3-pole / À 3 pôle / 3-polet / 3 polo
28	190003499650	6	KABELSCHOEN, , G01
29	1-40-172-010	2	DEKSEL,
30	1-41-277-008	2	RELAIS,

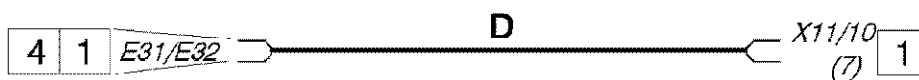
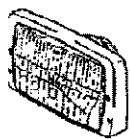
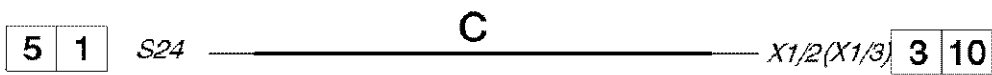
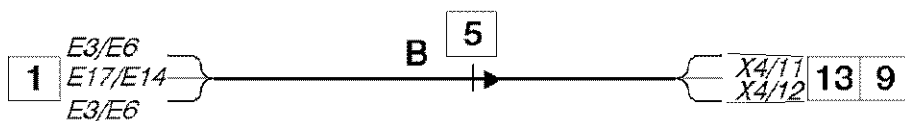
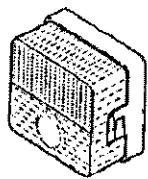
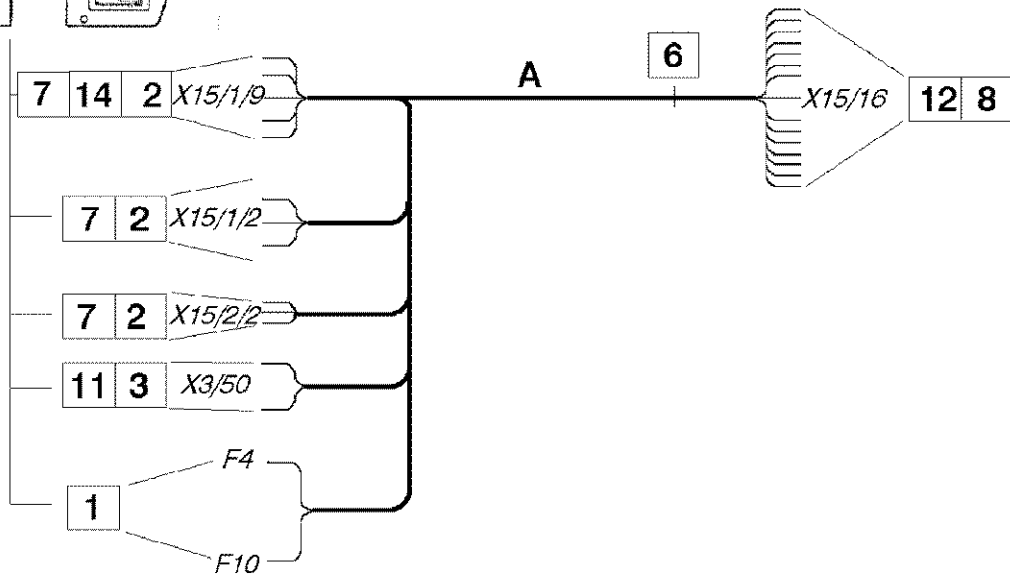
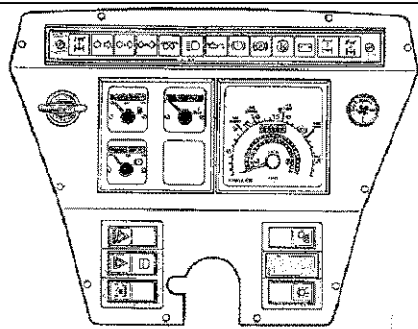


## 04-36(01) ELECTRIC CABLE CAB ROOF; HIGH

Ref	Onderdeelnummer	Kwt	Beschrijving
1	1-41-177-220	1	HARNESS, , ----> 02353
1A	1-41-177-225	1	, 02354 ----> 03141
1B	1-41-177-625	1	CABLE ASSY., , 03142 ----> ; Dach hoch / Roof, high / Toit-abri 'haut / Høj tag / Tetto alto
2	169200770245	1	KABELSCHOEN, , A05
3	190003499650	X	KABELSCHOEN, , G01
4	1880770005	X	KABELSCHOEN, , G03
5	199000770238	X	AANSLUITKLEM, , G09
6	179000770080	X	LAGERBUS, , G10
7	179000770129	X	AANSLUITKLEM, , G19
8	169200770086	X	KABELSCHOEN, , G21
9	1-40-277-036	X	VERBINDING, , G41
10	1-40-177-028	X	KABELSCHOEN, , G46
11	1-40-177-020	2	VERBINDING, , F20
12	1-40-277-034	X	PEN, , X32
13	1-40-277-035	X	KABELSCHOEN, , X33
15	179100770268	X	CONTACTDOOS, , M04
17	199014770058	X	AANSLUITING, , M10 ; 2-Polig / 2-pole / À 2 pôle / 2-polet / 2 polo
18	199000720006	X	LAGERBUS, , M21 ; 3-Polig / 3-pole / À 3 pôle / 3-polet / 3 polo
19	199114770272	1	AANSLUITING, , M55
20	1-40-177-009	X	CONTACTDOOS, , M88 ; 2-Polig / 2-pole / À 2 pôle / 2-polet / 2 polo
21	1-40-177-096	X	VERBINDING, , M70
22	1-40-177-097	X	VERBINDING, , M71
23	1-40-177-018	X	CONTACTDOOS, , M8A
24	1-40-277-039	X	CONTACTDOOS, , M8Q ; 10-Polig / 10-pole / À 10 pôle / 10-polet / 10 polo
25	1-40-277-003	X	AANSLUITING, , M8E ; 4-Polig / 4-pole / À 4 pôle / 4-polet / 4 polo
26	1-40-177-023	X	AANSLUITING, , M8X ; 5-Polig / 5-pole / À 5 pôle / 5-polet / 5 polo
27	1-40-277-004	X	AANSLUITING, , N4B ; 4-Polig / 4-pole / À 4 pôle / 4-polet / 4 polo
28	1-40-277-051	X	AANSLUITING, , N4L
29	169200770004	X	CONTACTDOOS, , N13
30	169200770300	X	VERDELER, , V11 ; 11-Polig / 11-pole / À 11 pôle / 11-polet / 11 polo
31	1-40-177-118	X	VERDELER, , V22
32	1-40-177-032	X	PIN, ELECTRIC TERM', , V53
34	179100770001	X	PROFIEL, , J04
35	190003171715	X	SPANHULS, , A2,5x100 / K01
35	190003171697	X	BEVESTIGINGSKLEM, , A5x180 / K02
36	169200770007	X	VERBINDING, , X07
37	169200770198	X	FLEXIBELE BUIS, , J10
38	135700770206	1	ELECTRISCHE ISOLATIE, , J07 ; 1-Polig / 1-pole / À 1 pôle / 1-polet / 1 polo
39	179100770004	1	AANSLUITKLEM, , F04
40	1-40-277-016	1	AANSLUITING, , M8F
41	169200770301	5	VERDELER, , V52 ; 5-Polig / 5-pole / À 5 pôle / 5-polet / 5 polo

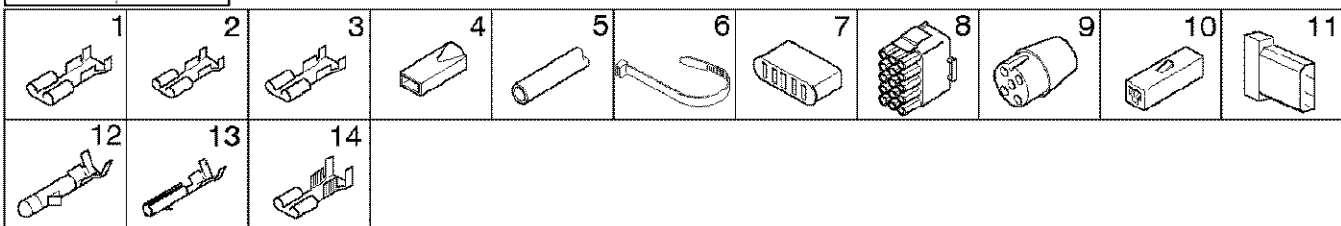
Ref	Onderdeelnummer	Kwt	Beschrijving
42	179100580130	1	AFSCHERMING,

04-37(01) ELECTRIC CABLE CAB ROOF; HIGH



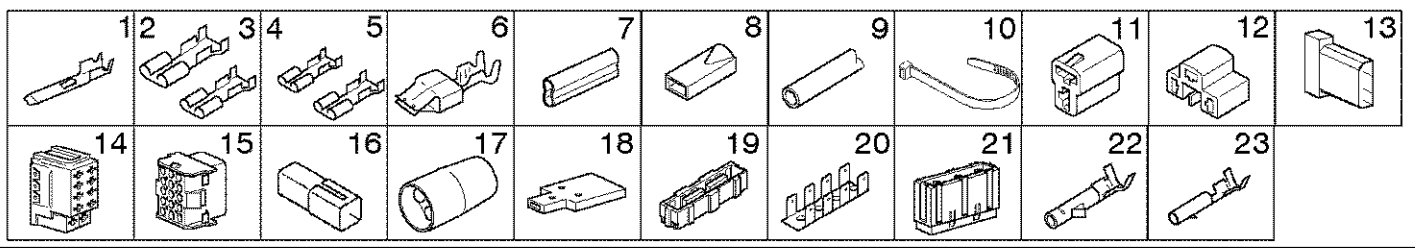
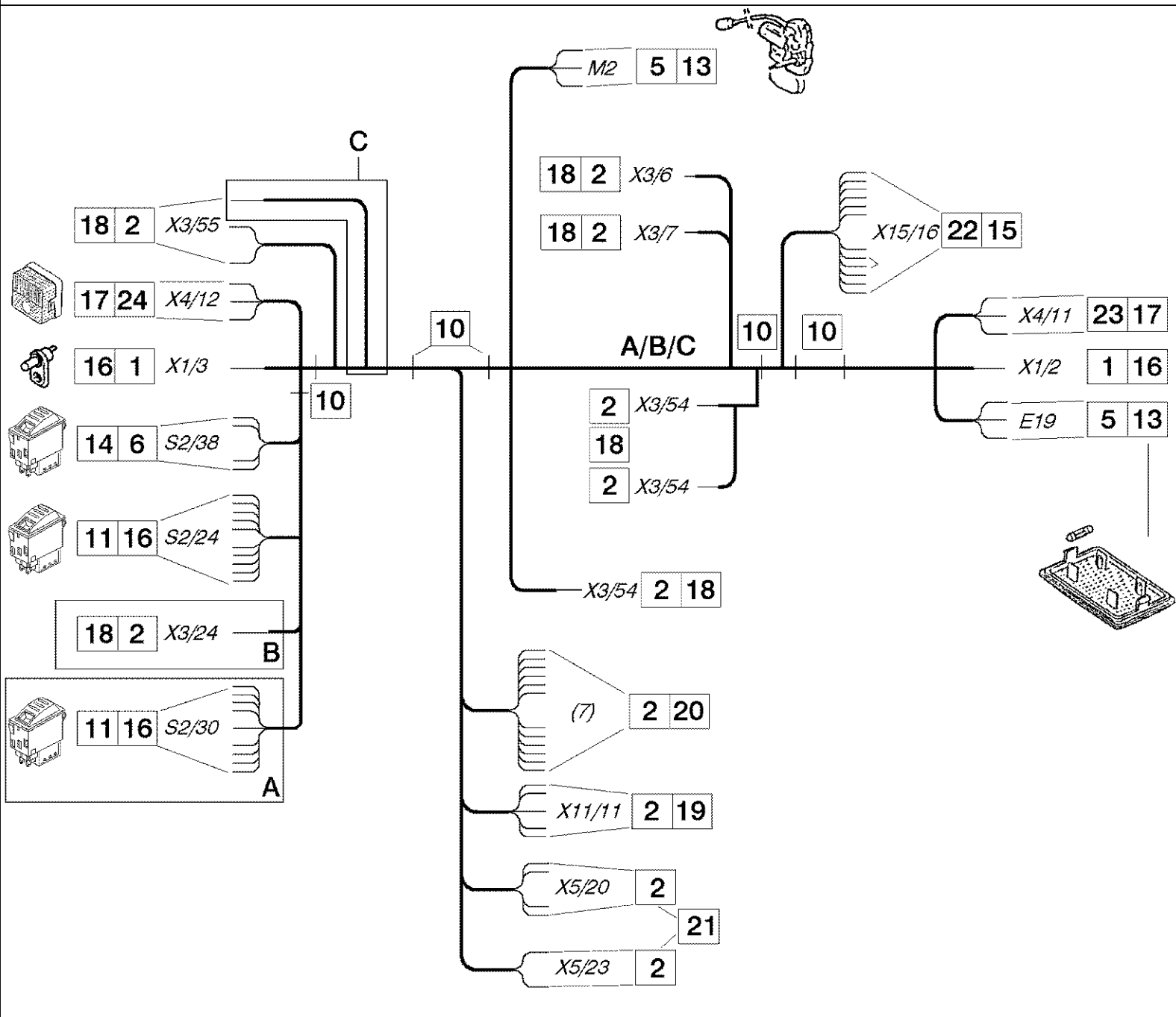
**15**

● Y40-49	□ Y4A-4X	○ Y56-57	⊗
* Y60-61	⊗	▼ 44-50	○
■ Y70	▽	⊗ Y4Q-4U	



## 04-37(01) ELECTRIC CABLE CAB ROOF; HIGH

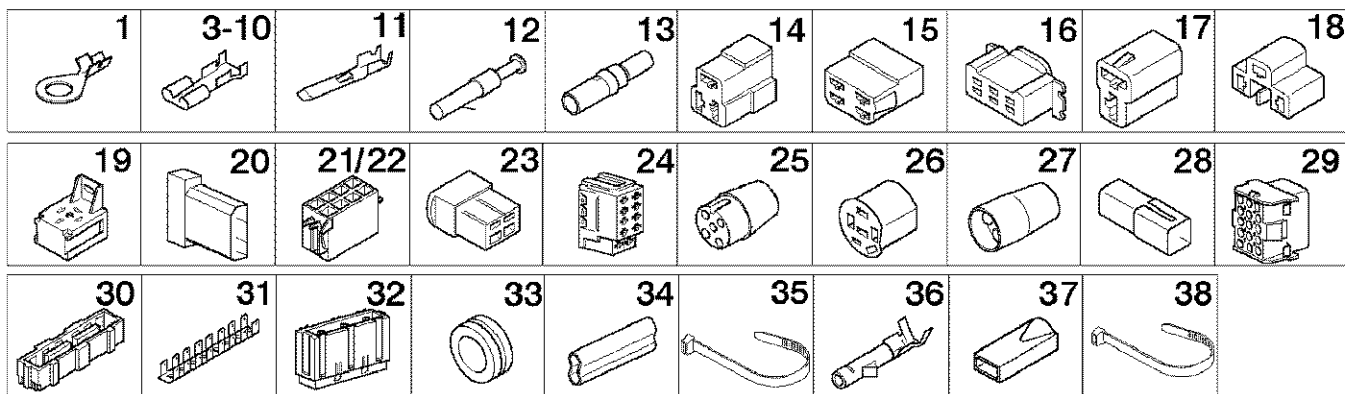
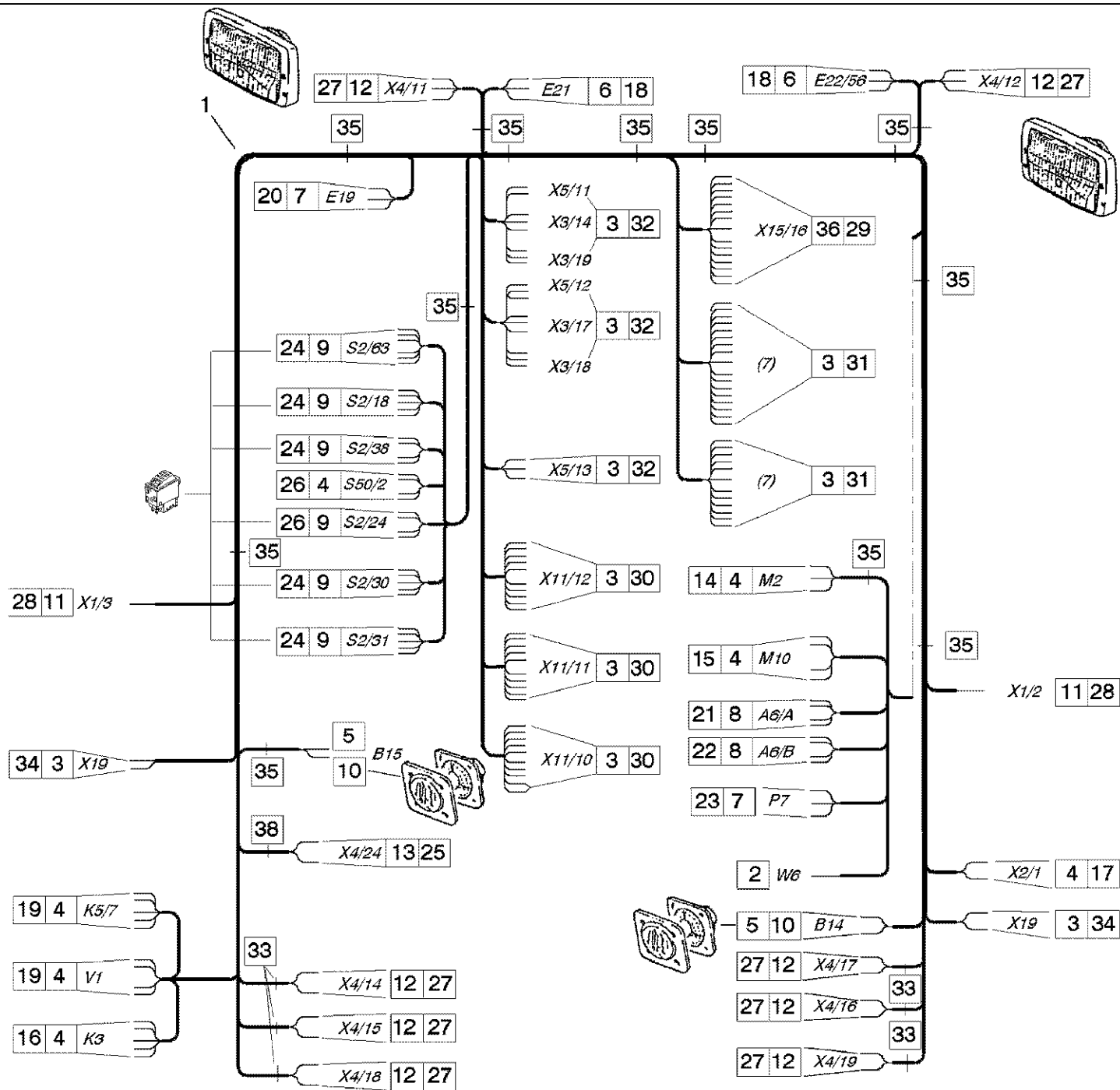
Ref	Onderdeelnummer	Kwt	Beschrijving
A	1-41-177-221	1	, ----> 03141
	1-41-177-621	1	CABLE ASSY., , 03142 ----> ; Stromversorgung / Current supply / Alimentation en courant / Strømforsyning / Alimentazione elettrica ; Dach hoch, nieder, schmal / Roof high, low, narrow / Toit-abri 'haut, bas, etroit / Høj tag, lav, smal / Tetto alto, basso, sottile
B	1-41-177-222	2	KABEL, , Für Positionslicht / For position lamp / Pour lampe de posit / Til positionslys / Per luci di posizione ; Dach hoch, nieder, schmal / Roof high, low, narrow / Toit-abri 'haut, bas, etroit / Høj tag, lav, smal / Tetto alto, basso, sottile
C	1-41-177-223	2	LEIDING, , Tür-Schalter / Door-switch / Porte-contacteur / Dørkontakt / Interruttore porta ; Dach hoch, nieder, schmal / Roof high, low, narrow / Toit-abri 'haut, bas, etroit / Høj tag, lav, smal / Tetto alto, basso, sottile
D	1-41-177-073	2	KABEL, , Für H4 + Positionslicht / For H4 + position lamp / Pour H4 + lampe de posit / Til H4 + positionslys / Per H4 + luci di posizione
E	1-41-177-003	1	LEIDING, , Ohne Dachscheinwerfer / Without roof-headlightn / Sans phare de toit / Uden taglygte / Senza faro del tetto
1	190003499650	18	KABELSCHOEN, , G01
2	1880770005	8	KABELSCHOEN, , G03
3	179000770129	1	AANSLUITKLEM, , G19
4	135700770206	1	ELECTRISCHE ISOLATIE, , J07 ; 1-Polig / 1-pole / À 1 pôle / 1-polet / 1 polo
5	169200770198	2	FLEXIBELE BUIS, , J10
6	190003171697	X	BEVESTIGINGSKLEM, , A5x180 / K02
7	179100770390	2	CONTACTDOOS, , M24 ; 5-Polig / 5-pole / À 5 pôle / 5-polet / 5 polo
8	169200770003	1	AANSLUITING, , M27 ; 15-Polig / 15-pole / À 15 pôle / 15-polet / 15 polo
9	1-40-277-003	1	AANSLUITING, , M8E ; 4-Polig / 4-pole / À 4 pôle / 4-polet / 4 polo
10	1-40-277-016	1	AANSLUITING, , M8F
11	1-40-177-017	1	AANSLUITING, , M89 ; 3,-Polig / 3-pole / À 3 pôle / 3-polet / 3 polo
12	169200770006	20	VERBINDING, , X06
13	1-40-277-035	3	KABELSCHOEN, , X33
14	179100770006	1	VERBINDING, , G17
15	REF	X	INSTRUCTION, , Kabelschutzsystem siehe nächste Seite(n) / Cable protection system see next page(s) / Câblesystème à protection voir page(s) suivante(s) / Beskyttelsessystem til kabel se næste side(r) / Sistema di protezione dei cavi vedere pagin(a/e) seguent(e/i)



## 04-38(01) ELECTRIC CABLE LOWER ROOF

Ref	Onderdeelnummer	Kwt	Beschrijving
A	1-41-177-224	1	, ----> 02353
B	1-41-177-226	1	HARNESS, , 02354 ----> 03141
C	1-41-177-626	1	HARNESS, , 03142 ----> ; Stromversorgung / Current supply / Alimentation en courant / Strømforsyning / Alimentazione elettrica ; Dach nieder / Roof, low / Toit-abri de bas / Høj lav / Tetto basso
D	1-41-177-074	2	KABEL, , Dach nieder / Roof, low / Toit-abri de bas / Høj lav / Tetto basso
1	1-40-177-020	2	VERBINDING, , F20
2	190003499650	X	KABELSCHOEN, , G01
3	1880770005	3	KABELSCHOEN, , G03
4	179000770080	3	LAGERBUS, , G10
5	179000770129	6	AANSLUITKLEM, , G19
6	1-40-277-036	19	VERBINDING, , G41
7	179100770001	1	PROFIEL, , J04
8	135700770206	1	ELECTRISCHE ISOLATIE, , J07 ; 1-Polig / 1-pole / À 1 pôle / 1-polet / 1 polo
9	169200770198	2	FLEXIBELE BUIS, , J10
10	190003171697	X	BEVESTIGINGSKLEM, , A5x180 / K02
11	199014770058	1	AANSLUITING, , M10 ; 2-Polig / 2-pole / À 2 pôle / 2-polet / 2 polo
12	199000720006	1	LAGERBUS, , M21 ; 3-Polig / 3-pole / À 3 pôle / 3-polet / 3 polo
13	1-40-177-017	2	AANSLUITING, , M89 ; 3,-Polig / 3-pole / À 3 pôle / 3-polet / 3 polo
14	1-40-277-039	3	CONTACTDOOS, , M8Q ; 10-Polig / 10-pole / À 10 pôle / 10-polet / 10 polo
15	169200770004	1	CONTACTDOOS, , N13
16	1-40-277-051	2	AANSLUITING, , N4L
17	1-40-277-004	2	AANSLUITING, , N4B ; 4-Polig / 4-pole / À 4 pôle / 4-polet / 4 polo
18	179100770022	6	VERBINDING, , V03 ; 3-Polig / 3-pole / À 3 pôle / 3-polet / 3 polo
19	169200770300	2	VERDELER, , V11 ; 11-Polig / 11-pole / À 11 pôle / 11-polet / 11 polo
20	139900580030	1	VERDELER, , V20
21	169200770301	2	VERDELER, , V52 ; 5-Polig / 5-pole / À 5 pôle / 5-polet / 5 polo
22	169200770007	X	VERBINDING, , X07
23	1-40-277-034	6	PEN, , X32

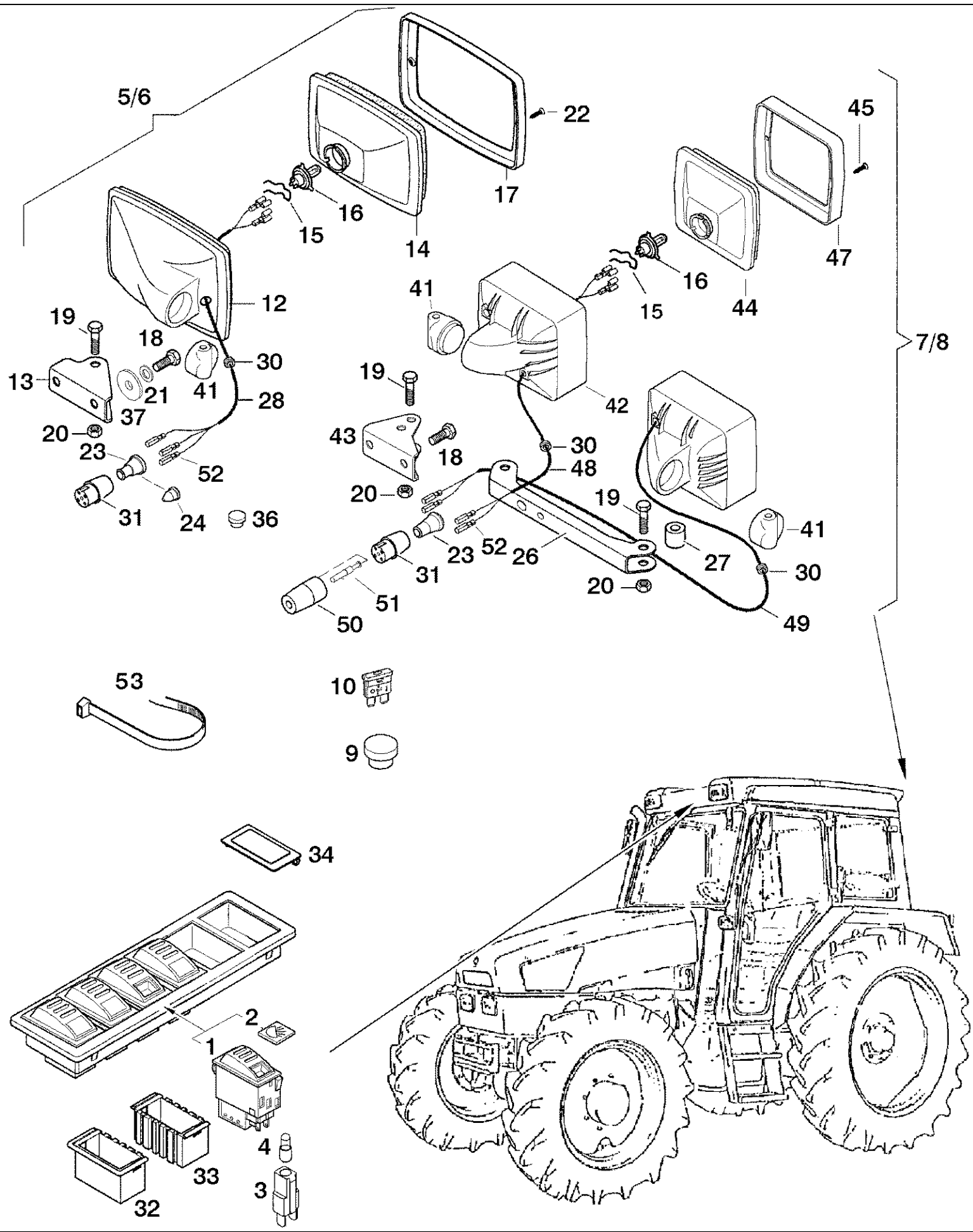




## 04-39(01) ELECTRIC CABLE CAB ROOF; NARROW

Ref	Onderdeelnummer	Kwt	Beschrijving
1	1-41-177-627	1	CABLE ASSY, ,
2	169200770245	1	KABELSCHOEN, , A05
3	190003499650	X	KABELSCHOEN, , G01
4	1880770005	X	KABELSCHOEN, , G03
5	199000770238	X	AANSLUITKLEM, , G09
6	179000770080	X	LAGERBUS, , G10
7	179000770129	X	AANSLUITKLEM, , G19
8	169200770086	X	KABELSCHOEN, , G21
9	1-40-277-036	X	VERBINDING, , G41
10	1-40-177-028	X	KABELSCHOEN, , G46
11	1-40-177-020	2	VERBINDING, , F20
12	1-40-277-034	X	PEN, , X32
13	1-40-277-035	X	KABELSCHOEN, , X33
14	199000770144	X	HULS, , M03
15	179100770268	1	CONTACTDOOS, , M04
16	199000770020	X	CONTACTDOOS, , M05 ; 6-Polig / 6-pole / À 6 pôle / 6-polet / 6 polo
17	199014770058	X	AANSLUITING, , M10 ; 2-Polig / 2-pole / À 2 pôle / 2-polet / 2 polo
18	199000720006	X	LAGERBUS, , M21 ; 3-Polig / 3-pole / À 3 pôle / 3-polet / 3 polo
19	169200580204	X	PEDESTAL, , M34 ; 5-Polig / 5-pole / À 5 pôle / 5-polet / 5 polo
20	1-40-177-009	X	CONTACTDOOS, , M88 ; 2-Polig / 2-pole / À 2 pôle / 2-polet / 2 polo
21	1-40-177-096	X	VERBINDING, , M70
22	1-40-177-097	X	VERBINDING, , M71
23	1-40-177-018	X	CONTACTDOOS, , M8A
24	1-40-277-039	X	CONTACTDOOS, , M8Q ; 10-Polig / 10-pole / À 10 pôle / 10-polet / 10 polo
25	1-40-277-003	X	AANSLUITING, , M8E ; 4-Polig / 4-pole / À 4 pôle / 4-polet / 4 polo
26	1-40-177-023	X	AANSLUITING, , M8X ; 5-Polig / 5-pole / À 5 pôle / 5-polet / 5 polo
27	1-40-277-004	X	AANSLUITING, , N4B ; 4-Polig / 4-pole / À 4 pôle / 4-polet / 4 polo
28	1-40-277-051	X	AANSLUITING, , N4L
29	169200770004	X	CONTACTDOOS, , N13
30	169200770300	X	VERDELER, , V11 ; 11-Polig / 11-pole / À 11 pôle / 11-polet / 11 polo
31	1-40-177-118	X	VERDELER, , V22
32	1-40-177-032	X	PIN, ELECTRIC TERM', , V53
33	1-40-277-120	X	KABELDOORGANG, , Q48
34	179100770001	X	PROFIEL, , J04
35	190003171715	X	SPANHULS, , A2,5x100 / K01
36	169200770007	X	VERBINDING, , X07
37	135700770206	1	ELECTRISCHE ISOLATIE, , J07 ; 1-Polig / 1-pole / À 1 pôle / 1-polet / 1 polo
38	190003171697	1	BEVESTIGINGSKLEM, , A5x180 / K02

04-40(01) WORK LIGHTS REAR - CAB ROOF

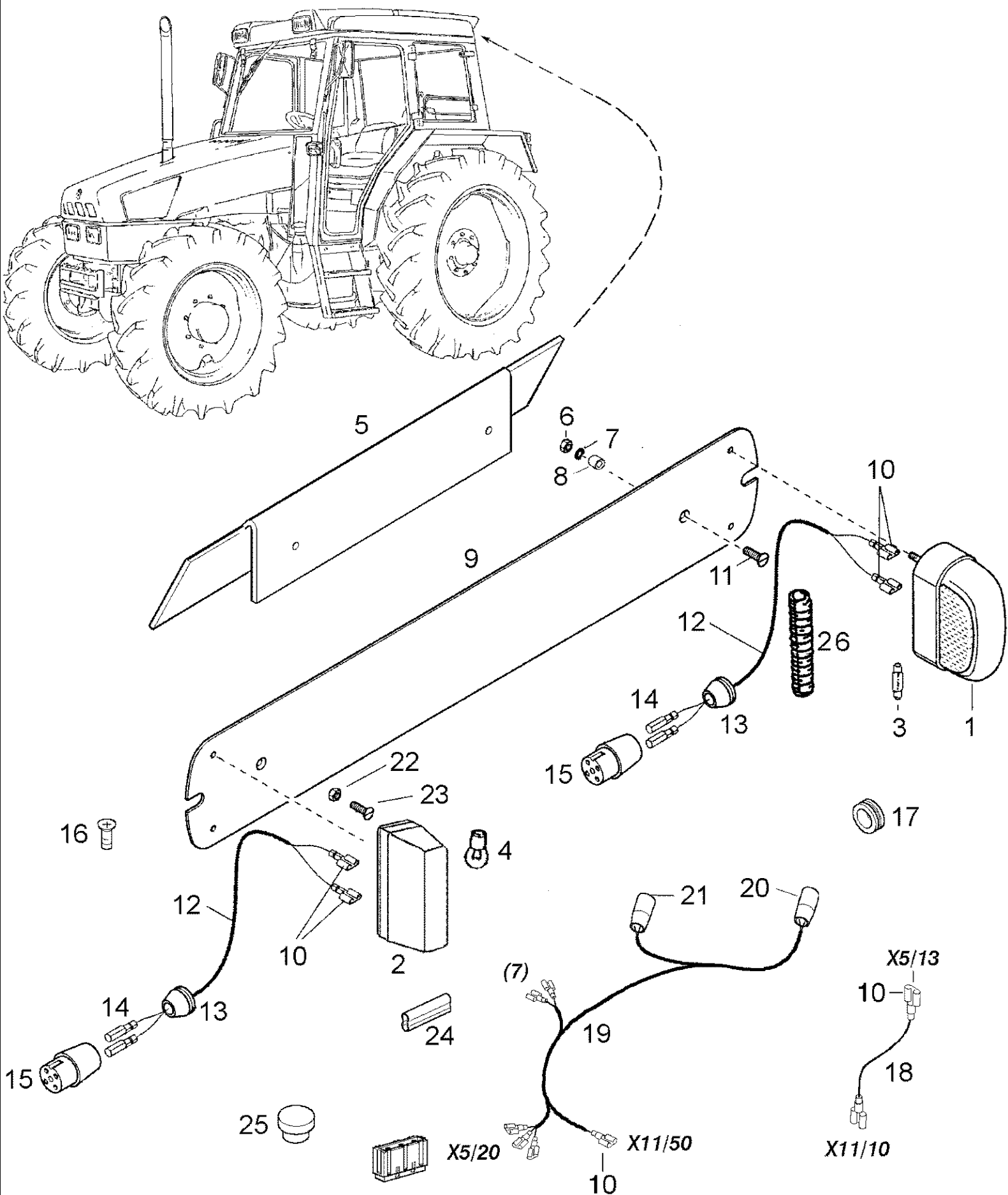


## 04-40(01) WORK LIGHTS REAR - CAB ROOF

Ref	Onderdeelnummer	Kwt	Beschrijving
1	1-40-158-601	1	SCHAKELAAR, , ( 0-1-2 ) ; Für / For / Pour / Til / Per 5, 6, 7, 8 ; Ersetzt / Replaces / Remplace / Udskiftet / Sostituisce 139900580072 ; Für / For / Pour / Til / Per 5, 6, 7, 8 ; Einschließlich / Includes / Avec / Inklusive / Compreso 3, 4
2	139900580146	1	SYMBOLLEN,
3	169200580087	1	AANSLUITING,
4	3141107R1	1	LAMP, W5/1.2, 12V, 1.2W,
5	1-40-179-002	1	WERKLAMP, , Einfach links / Single left / Simple gauche / Enkelt venstre / Semplice sinistro ; Besteht aus / Consists of / Compose de / Bestående af / È composto da 12 - 17, 19 - 22, 28, 30, 41
6	1-40-179-003	1	WERKLAMP, , Einfach rechts / Single right / Simple droit / Enkelt højre / Semplice destra ; Besteht aus / Consists of / Compose de / Bestående af / È composto da 12 - 17, 19 - 22, 28, 30, 41
7	1-40-172-014	1	WERKLAMP, , Ersetzt / Replaces / Remplace / Udskiftet / Sostituisce 1-40-179-004 / Doppelt links / Double left / Double gauche / Dobbelt venstre / A doppio sinistro ; Besteht aus / Consists of / Compose de / Bestående af / È composto da 15, 16, 19, 20, 26, 27, 30, 41-49
8	1-40-172-015	1	WERKLAMP, , Ersetzt / Replaces / Remplace / Udskiftet / Sostituisce 1-40-179-005 / Doppelt rechts / Double right / Double droit / Dobbelt højre / A doppio destra ; Besteht aus / Consists of / Compose de / Bestående af / È composto da 15, 16, 19, 20, 26, 27, 30, 41-49
9	190003170426	2	PLUG, , 19,5X30
10	1-40-258-120	X	ZEKERING, , 20A
12	NSS	2	NIET ALLEEN VERKRIJGBAAR,
13	NSS	2	NIET ALLEEN VERKRIJGBAAR,
14	1-40-779-003	2	TRANSPARENTE,
15	NSS	X	NIET ALLEEN VERKRIJGBAAR,
16	190003452243	X	LAMP, , H3-12V55W
17	NSS	2	NIET ALLEEN VERKRIJGBAAR,
18	16043224	6	BOUT, Hex, M8 x 16, 8.8, Full Thd,
19	190003800459	X	SCHROEF, , M8x50-8.8
20	190003888451	X	MOER, , VM8-8
21	896-11008	6	SLUITRING, M8 x 17.5 x 2, HT, , 9 x 17 x 2 mm
22	190003844718	4	SCHROEF, , BL-SHR.4,2x25
23	1-40-277-120	2/4	KABELDOORGANG, , Q48
24	1-40-277-121	2	AFSCHEMMEKAP,
26	1-40-779-007	2	ANKER,
27	299815A1	2	AFSTANDSRING,
28	1-40-779-004	2	KABEL,
30	299807A1	4	KABELDOORGANG,
31	1-40-277-003	2/4	AANSLUITING, , M8E ; 4-Polig / 4-pole / À 4 pôle / 4-polet / 4 polo
32	135700710002	X	RAAM,
33	135700710003	X	HUIS, , 4-Polig / 4-pole / À 4 pôle / 4-polet / 4 polo
34	139900580021	X	DEKSEL,
36	190003179427	2	PLUG, , A11,7x7
37	190003936103	2	SLUITRING, , 8,4-140HV-A3C-DIN9021

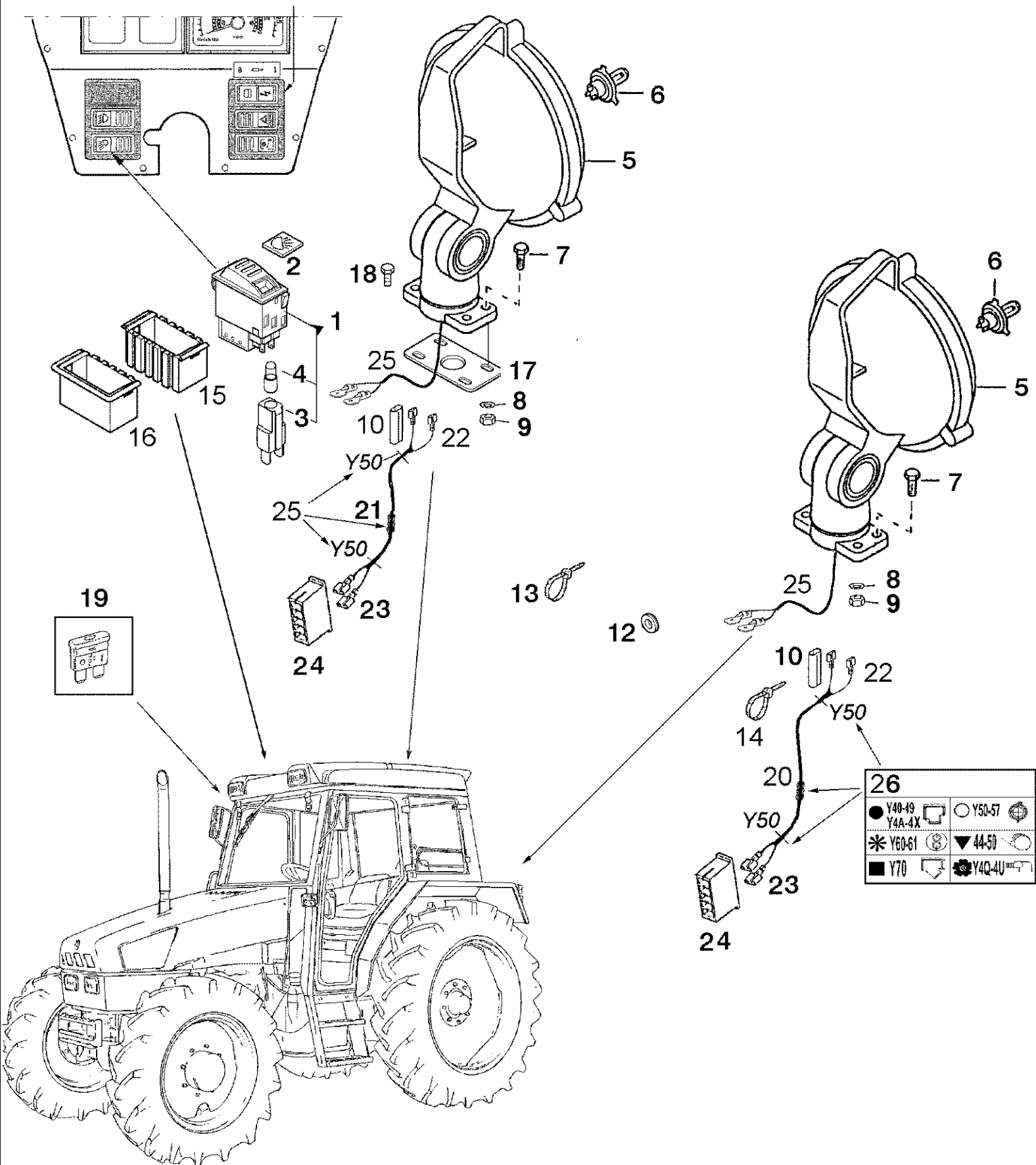
## 04-40(01) WORK LIGHTS REAR - CAB ROOF

Ref	Onderdeelnummer	Kwt	Beschrijving
41	1-40-779-008	X	STEUNBEUGEL,
42	NSS	4	NIET ALLEEN VERKRIJGBAAR,
43	1-40-779-006	2	STEUNBEUGEL,
44	299810A1	4	TRANSPARENTE,
45	190003840039	8	SCHROEF, , ST 4,2x38
47	299809A1	2	DEKSEL,
48	299813A1	2	ZIJRELING, , Innen / Inner / Interieure / Indenfor / Interno
49	299814A1	2	ZIJRELING,
50	1-40-277-004	X	AANSLUITING, , N4B ; 4-Polig / 4-pole / À 4 pôle / 4-polet / 4 polo
51	1-40-277-034	X	PEN, , X32
52	1-40-277-035	X	KABELSCHOEN, , X33
53	190003171715	X	SPANHULS, , A2,5x100 / K01



Ref	Onderdeelnummer	Kwt	Beschrijving
1	1-34-876-010	2	ACHTERLICHT, , ----> .....
2	47057019	2	LAMP, , ..... ----> ; Ersetzt / Replaces / Remplace / Udskiftet / Sostituisce 1-34-876-010
3	190003452276	2	LAMP, , ----> ..... ; L-12V5W
4	190003452241	2	LAMP, , ..... ----> ; R10W-12V ; Ersetzt / Replaces / Remplace / Udskiftet / Sostituisce 190003452276
5	1-41-171-070	1	HOEKSTUK,
6	825-1405	2	MOER, M5, CI 8,
7	190003936100	2	SLUITRING, , 5,3-140HV-A3C
8	133700580053	2	AFSTANDSRING,
9	1-34-676-004	1	HOUDER,
10	190003499650	X	KABELSCHOEN, , G01
11	190003800100	2	SCHROEF, , M6X16-8.8-A2R
12	1-41-577-079	2	CABLE ASSY., , Einschließlich / Includes / Avec / Inklusive / Compreso 10, 13, 14
13	1-40-277-120	2	KABELDOORGANG, , Q48
14	1-40-277-035	X	KABELSCHOEN, , X33
15	1-40-277-003	2	AANSLUITING, , M8E ; 4-Polig / 4-pole / À 4 pôle / 4-polet / 4 polo
16	190003820227	2	SCHROEF, , M5x15
17	1-34-543-055		DICHTINGSRING, , 32x1,5 ; Ersetzt / Replaces / Remplace / Udskiftet / Sostituisce 199000580051
17	190003129042	2	KABELDOORGANG, , Q02 ; 6x3
18	1-41-177-003	1	LEIDING, , ----> 03141 ; Siehe Seite(n) vorne / See page(s) before / Voir page(s) avant(es) / Se side(r) forrest / Vedere pagin(a/e) precedent(e/i) ; Einschließlich / Includes / Avec / Inklusive / Compreso 10
19	1-41-177-679	1	CABLE ASSY., , 03142 ----> ; Einschließlich / Includes / Avec / Inklusive / Compreso 10, 20, 21
20	1-40-277-034	4	PEN, , X32
21	1-40-277-004	2	AANSLUITING, , N4B ; 4-Polig / 4-pole / À 4 pôle / 4-polet / 4 polo
22	10794011	4	MOER, M4, CI 8,
23	13272114	4	SCHROEF, Cross Pan Hd, M4 x 14, ; ..... ---->
24	179100770001	1	PROFIEL, , J04
25	190003170426	4	PLUG, , 19,5x30
26		X	, Kabelschutzsystem siehe Seite(n) vorne / Cable protection system see page(s) before / Câblesystème à protection voir page(s) avant(es) / Beskyttelsessystem til kabel se side(r) forrest / Sistema di protezione dei cavi vedere pagin(a/e) precedent(e/i)

04-42(01) WORK LIGHTS REAR - FENDER





## 04-42(01) WORK LIGHTS REAR - FENDER

Ref	Onderdeelnummer	Kwt	Beschrijving
1	1-40-158-604	1	SCHAKELAAR, , ( 0-1 ) ; Ersetzt / Replaces / Remplace / Udskiftet / Sostituisce 139900580066
2	1-40-158-019	1	SYMBOLLEN, , Ersetzt / Replaces / Remplace / Udskiftet / Sostituisce 139900580081, 139900580146
3	169200580087	1	AANSLUITING,
4	3141107R1	1	LAMP, W5/1.2, 12V, 1.2W, Ersetzt / Replaces / Remplace / Udskiftet / Sostituisce 190003452250
5	1-34-172-026	1/2	WERKLAMP,
6	190003452243	1/2	LAMP, , H3-12V55W
7	120100	4/8	BOUW, Hex, M6 x 20, 8.8,
8	190003932612	4/8	SCHIJF, , R6,6-100HV-A3
9	15896221	4/8	MOER, M6, CI 10, , M6-8-A2C, DIN934
10	179100770001	1/2	PROFIEL, , J04
11	190003179028	1	AFSCHEERMING,
12	190003129042	1	KABELDOORGANG, , Q02 ; 6x3
13	190003171697	X	BEVESTIGINGSKLEM, , A5x180 / K02
14	190003171715	4	SPANHULS, , A2.5x100 / K01
15	135700710003	X	HUIS, , 4-Polig / 4-pole / À 4 pôle / 4-polet / 4 polo
16	135700710002	X	RAAM,
17	1-34-525-105	1	COVER, PROTECTIVE,
18	190003834310	4	SCHROEF, , M6x16-MU
19	1-40-258-115	1	ZEKERING, , 15A
20	1-41-177-084	1	KABEL, , Links / Left / Gauche / Venstre / Sinistro
21	1-41-177-085	1	KABEL, , Rechts / Right / Droite / Højre / Destra
22	190003499650	2/4	KABELSCHOEN, , G01
23	1880770005	2/4	KABELSCHOEN, , G03
24	179100770390	1/2	CONTACTDOOS, , M24 ; 5-Polig / 5-pole / À 5 pôle / 5-polet / 5 polo
25	1-41-577-174	2	KABEL,
26		X	, Kabelschutzsystem siehe Seite(n) vorne / Cable protection system see page(s) before / Câblesystème à protection voir page(s) avant(es) / Beskyttelsessystem til kabel se side(r) forrest / Sistema di protezione dei cavi vedere pagin(a/e) precedent(e/i)



## 04-43(01) WINDSCREEN WASHER

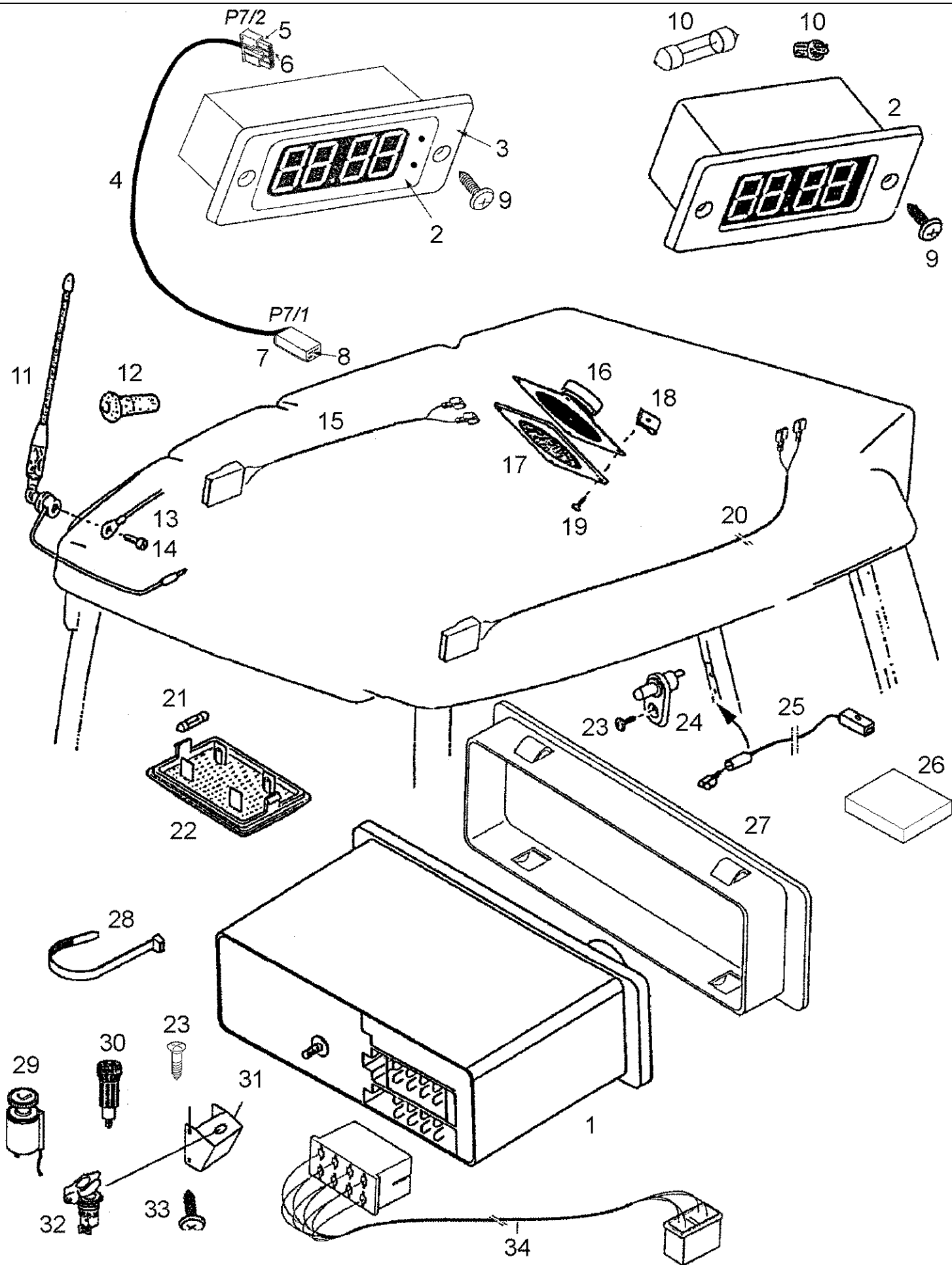
Ref	Onderdeelnummer	Kwt	Beschrijving
A	1-41-177-642	1	HARNESS, , Siehe nächste Seite(n) / See next page(s) / Voir page(s) suivante(s) / Se næste side(r) / Vedere pagin(a/e) sequent(e/i)
B	1-41-177-071	1	KABEL, ----> 02353
B	1-41-177-671	1	HARNESS, , 02354 ----> ; Ersetzt / Replaces / Remplace / Udskiftet / Sostituisce 1-41-177-171 ; Siehe nächste Seite(n) / See next page(s) / Voir page(s) suivante(s) / Se næste side(r) / Vedere pagin(a/e) sequent(e/i)
1	1-40-158-614	1	SCHAKELAAR, , ( 0-1-2 ) ; Scheibenwischer vorne / Front windshield wiper / Essuie-glaces avant / Rudevisker forrest / Tergicristalli anteriori ; Dach schmal / Roof narrow / Toit étroit / Tag smal / Tetto sottile
2	139900580089	1	SYMBOLLEN, , ----> 03141 ; Scheibenwischer vorne / Front windshield wiper / Essuie-glaces avant / Rudevisker forrest / Tergicristalli anteriori ; Dach hoch / Roof, high / Toit-abri 'haut / Høj tag / Tetto alto
2	139900580089	1	SYMBOLLEN, , Scheibenwischer vorne / Front windshield wiper / Essuie-glaces avant / Rudevisker forrest / Tergicristalli anteriori ; Dach schmal / Roof narrow / Toit étroit / Tag smal / Tetto sottile
3	1-40-158-604	1	SCHAKELAAR, , (0-1) ; Scheibenwischer hinten / Rear windshield wiper / Essuie-glaces arrière / Rudevisker bagest / Tergicristalli posteriori ; Dach Schmal / Roof, high narrow / Toit-abri 'haut étroit / Høj tag smal / Tetto alto sottile
4	139900580080	1	SYMBOLLEN, , ----> 03141 ; Scheibenwischer hinten / Rear windshield wiper / Essuie-glaces arrière / Rudevisker bagest / Tergicristalli posteriori, Dach hoch, nieder / Roof high, Low / Toit-abri 'haut, bas / Høj tag, Lav / Tetto alto, basso
4	139900580080	1	SYMBOLLEN, , Scheibenwischer hinten / Rear windshield wiper / Essuie-glaces arrière / Rudevisker bagest / Tergicristalli posteriori ; Dach Schmal / Roof, high narrow / Toit-abri 'haut étroit / Høj tag smal / Tetto alto sottile
5	1-40-158-603	1	SCHAKELAAR, , ( 0-1<2 ) ; Ersetzt / Replaces / Remplace / Udskiftet / Sostituisce 139900580109 ; Scheibenwischer vorne + hinten / Rear + front windshield wiper / Essuie-glaces avant + arrière / Rudevisker forrest + bagest / Tergicristalli davanti + posteriori , Dach schmal, nieder, hoch / Roof narrow, low, high / Toit étroit, bas, haut / Tag smal, lav, opad / Tetto sottile, basso, alto
6	139900580122	1	SYMBOLLEN, , 03142 ----> ; Scheibenwischer hinten / Rear windshield wiper / Essuie-glaces arrière / Rudevisker bagest / Tergicristalli posteriori, Dach hoch, nieder / Roof high, Low / Toit-abri 'haut, bas / Høj tag, Lav / Tetto alto, basso
7	1-40-158-605	1	SCHAKELAAR, , ( 0- <1 ) ; Dach schmal, nieder / Roof narrow, low / Toit étroit, bas / Tag smal, lav / Tetto sottile, basso
8	139900580119	1	SYMBOLLEN, , Scheibenwaschanlage, Dach schmal / Windshield washers, Roof narrow / Systémlave-glace, Toit étroit / Forrudevasker, Tag smal / Impianto lavavetri, Tetto sottile
9	139900580105	1	SYMBOLLEN, , 03142 ----> ; Gelb / Yellow / Jaune / Gul / Giallo ; Scheibenwaschanlage vorne, Dach hoch-nieder / Windshield washers front, Roof, high-low / Systémlave-glace avant, Toit-abri 'haut-bas , Forrudevasker forrest, Høj tag-lav / Impianto lavavetri davanti, Tetto alto-basso
10	1-40-258-060	1	RELAIS, , K3 ; Intervall / Interval / Intervalle / Interval / Intervallo
11	1-40-758-024	1	RELAIS, , 40/60A ; Ersetzt / Replaces / Remplace / Udskiftet / Sostituisce 1-40-158-047
12	1-40-258-094	1	DIODE, , 2x3A ; Ersetzt / Replaces / Remplace / Udskiftet / Sostituisce 1-40-258-045
13	169200770301	1	VERDELER, , V52 ; 5-Polig / 5-pole / À 5 pôle / 5-polet / 5 polo ; ----> 02353

## 04-43(01) WINDSCREEN WASHER

Ref	Onderdeelnummer	Kwt	Beschrijving
13	179100770022	1	VERBINDING, , V03 ; 3-Polig / 3-pole / À 3 pôle / 3-polet / 3 polo ; 02354 ---->
14	135700580058	1	ELEMENT, JOINING, , ----> 03141
15	1-34-574-015	1	MOTOR, RUITENWISSER, , Vorne Dach hoch, nieder / Front Roof, high, low / Avant Toit-abri 'haut, bas / Forrest Høj tag, lav / Davanti Tetto alto, basso
16	340824A1	1	MOTOR, RUITENWISSER, , Vorne Dach schmal / Front Roof narroww / Avant Toit etroit / Forrest Tag smal / Davanti Tetto sottile
17	1-34-174-070	1	MOTOR, RUITENWISSER, , 02353 ----> ; Hinten / Rear / Derrière / Bagest / Posteriore
17	1-34-674-004	1	MOTOR, RUITENWISSER, , 02354---->, Dach hoch, nieder, schmal / Roof high, low, narrow / Toit-abri 'haut, bas, etroit / Høj tag, lav, smal / Tetto alto, basso, sottile
18	1-40-186-001	1	FITTING,
19	1-34-686-005	1	ELECTROKLEP, , Dach schmal / Roof narrow / Toit etroit / Tag smal / Tetto sottile
20	1-34-586-003	1	SPROEIER, , Hinten / Rear / Derrière / Bagest / Posteriore
21	115020770005	1	SPROEIER, , Vorne / Front / Avant / Forrest / Davanti
22	3141107R1	1	LAMP, W5/1.2, 12V, 1.2W,
23	169200580087	1	AANSLUITING,
24	1-40-258-115	1	ZEKERING, , 15A
25	1-40-171-024	1	CONTAINER, , 02942 ----> ; Einfach besteht aus / Single consists of / Simple compose de / Enkelt bestående af / Semplice è composto da 37, 39 - 41
26	1-40-171-025	1	PUMP, , 02984 ----> ; Doppelt besteht aus / Double consists of / Double compose de / Dobbelt bestående af / A doppio è composto da 38 - 41
27	1-41-177-667	1	HARNESS, , Dach schmal Klimaanlage / Roof narrow Air conditioner / Toit etroit Climatiseur / Tag smal Klimaanlage / Tetto sottile Climatizzatore ; Siehe nächste Seite(n) / See next page(s) / Voir page(s) suivante(s) / Se næste side(r) / Vedere pagin(a/e) seguent(e/i)
28	340820A1	1	SPROEIER, , Dach Schmal / Roof, high narrow / Toit-abri 'haut etroit / Høj tag smal / Tetto alto sottile
29	135700710003	X	HUIS, , 4-Polig / 4-pole / À 4 pôle / 4-polet / 4 polo
30	135700710002	X	RAAM,
31	139900580021	X	DEKSEL,
32	340728A1	2	CONNECTION, , Dach schmal / Roof narrow / Toit etroit / Tag smal / Tetto sottile
33	1-40-277-004	1	AANSLUITING, , N4B ; 4-Polig / 4-pole / À 4 pôle / 4-polet / 4 polo
34	1-40-277-034	4	PEN, , X32
35	190003489215	1	FLEXIBELE BUIS, , B5x0,6-SW
36	190003171697	X	BEVESTIGINGSKLEM, , A5x180 / K02
37	1-40-171-024	1	CONTAINER, , ----> 02941 ; Einfach / Single / Simple / Enkelt / Semplice ; Ersetzt / Replaces / Remplace / Udskiftet / Sostituisce 133700710241
37	1-40-171-025	1	PUMP, , 02942 ----> ; Einfach / Single / Simple / Enkelt / Semplice ; Ersetzt / Replaces / Remplace / Udskiftet / Sostituisce 1-40-171-026
38	133700710240	1	PUMP, , 02893 ----> ; Doppelt / Double / Double / Dobbelt / A doppio
38	1-40-171-025	1	PUMP, , 02984 ----> ; Doppelt / Double / Double / Dobbelt / A doppio ; Ersetzt / Replaces / Remplace / Udskiftet / Sostituisce 1-40-171-028
39	1-40-171-027	1	CAP, FILLER,
40	133700710239	1	CONTAINER,

## 04-43(01) WINDSCREEN WASHER

Ref	Onderdeelnummer	Kwt	Beschrijving
41	133700710244	1	MOF, RUBBER,
42	190003129042	1	KABELDOORGANG, , Q02 ; 6x3
43	190003171715	5	SPANHULS, , A2,5x100 / K01
44	190003843106	2	SCHROEF, , St4,2x9,5
45	179100580130	1	AFSCHERMING,
46	190003499650	2	KABELSCHOEN, , G01
47	1-34-586-201	1	HOEKSTUK,

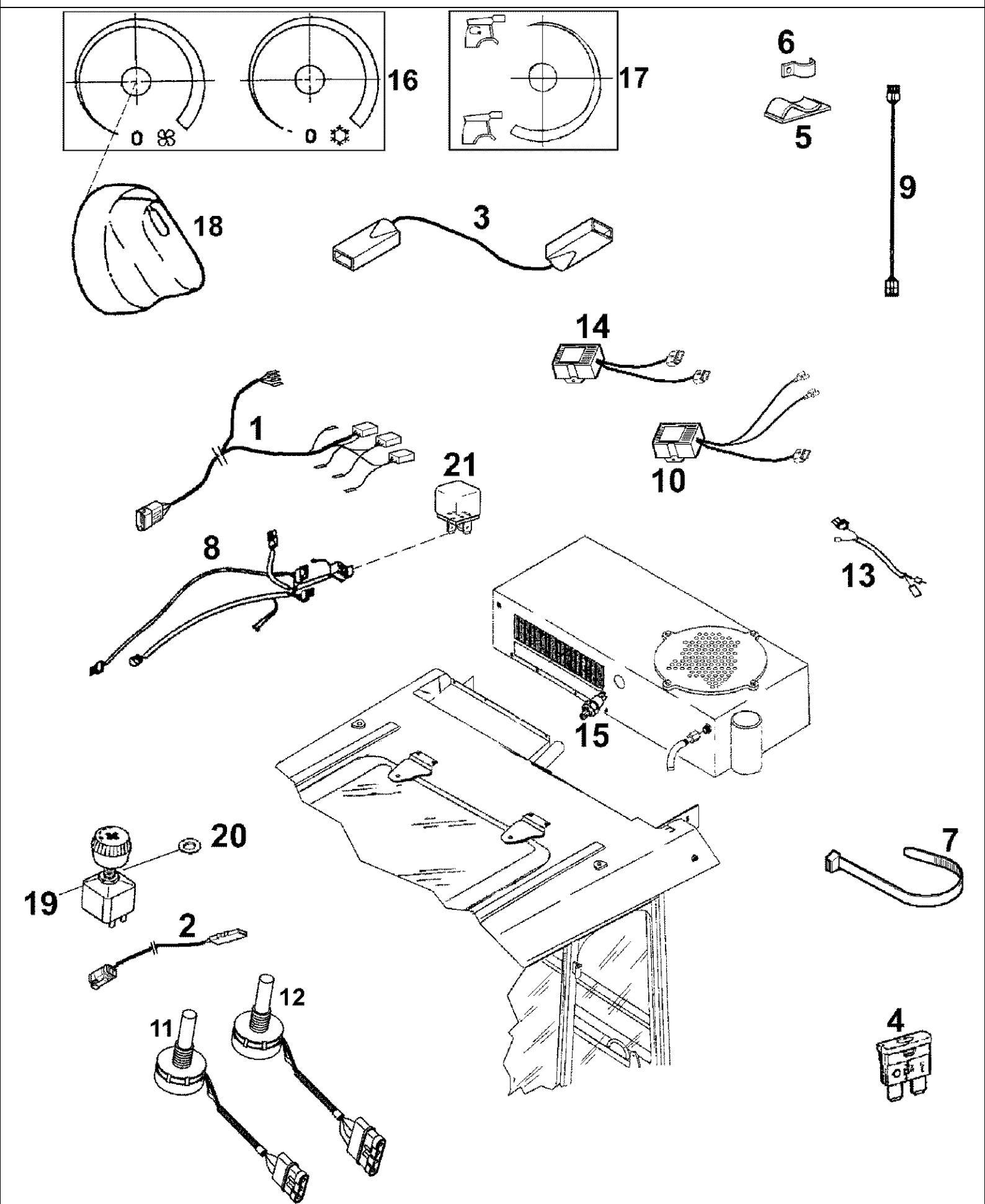


## 04-44(01) RADIO, SPEAKERS, CLOCK AND ANTENNA

Ref	Onderdeelnummer	Kwt	Beschrijving
1	87357560	1	RADIO, , Ersetzt / Replaces / Remplace / Udskiftet / Sostituisce 1-40-181-008, 1-40-181-018, 47056371
2	1-40-758-103	1	TIME-WATCH, , Nur mit / Only with / Selement avec / Kun med / Solo con 3, 4 ; Ersetzt / Replaces / Remplace / Udskiftet / Sostituisce 1-40-158-003, 1-40-158-103
3	1-41-171-071	1	RAAM, , Nur mit / Only with / Selement avec / Kun med / Solo con 2
4	1-41-577-528	1	KABEL, , Nur mit / Only with / Selement avec / Kun med / Solo con 2 ; Einschließlich / Includes / Avec / Inklusive / Compresobn 5 - 8
5	1-40-277-080	1	CARROSSERIE, , M5U
6	1-40-277-079	3	PIN, ELECTRIC TERM', , G4F
7	1-40-277-081	1	CARROSSERIE, , N5Z
8	1-40-177-020	3	VERBINDING, , F20
9	190003844712	2	ZELFTAPPENDE SCHROEF, Cross Csk Hd, M3.5 x 19, , 3,5x19
10	190003450031	1	LAMP,
10	1-40-758-001	1	LAMP,
11	1-40-181-003	1	ANTENNE,
12	1-40-277-120	1	KABELDOORGANG, , Q48
13	1-41-177-625	1	CABLE ASSY., , Dach hoch / Roof, high / Toit-abri 'haut / Høj tag / Tetto alto
13	1-41-177-627	1	CABLE ASSY., , Dach schmal / Roof narrow / Toit-abri etroit / Høj smal / Tetto sottile
14	190003862232	1	SCHROEF, , M5x30-8.8-A2C, DIN912
15	179100780036	1	KABEL,
16	1-40-281-023	2	LUIDSPREKER,
17	1-40-281-125	2	ZEEF,
18	190003699574	8	MOER, , B4,2/11745-A3C
19	190003840010	8	SCHROEF, , BL. St4,2x22-C-H-A3R-DIN7981
20	1-40-181-002	1	KABEL,
21	190003452280	1	LAMP, , K-12V10W
22	1-40-181-001	1	TRANSPARENTE,
23	190003843106	5	SCHROEF, ; St4,2x9,5
24	1-40-181-021	2	AAN-UIT SCHAKELAAR, , Dach schmal / Roof narrow / Toit-abri etroit / Høj smal / Tetto sottile
24	1-40-181-023	2	CONTACT, , Ersetzt / Replaces / Remplace / Udskiftet / Sostituisce 116000720020 ; Dach hoch-nieder / Roof, high-low / Toit-abri 'haut-bas / Høj tag-lav / Tetto alto-basso
25	1-41-177-223	2	LEIDING, , Dach hoch, nieder, schmal / Roof high, low, narrow / Toit-abri 'haut, bas, etroit / Høj tag, lav, smal / Tetto alto, basso, sottile
26	133700550138	1	BASIS, , 40x40
27	1-40-181-015	1	AFSCHERMING, , Ersetzt / Replaces / Remplace / Udskiftet / Sostituisce 1-40-181-014
28	190003171697	5	BEVESTIGINGSKLEM, , A5x180 / K02
29	199000580140	1	SIGARENAANSTEKER,
30	1-40-171-043	1	VERBINDING,
31	340750A1	1	KONZOOL, , Dach schmal / Roof narrow / Toit-abri etroit / Høj smal / Tetto sottile
32	1-40-171-042	1	AANSLUITING, , 2-Polig / 2-pole / À 2 pôle / 2-polet / 2 polo
33	190003840044	2	SCHROEF, , 4,8x16

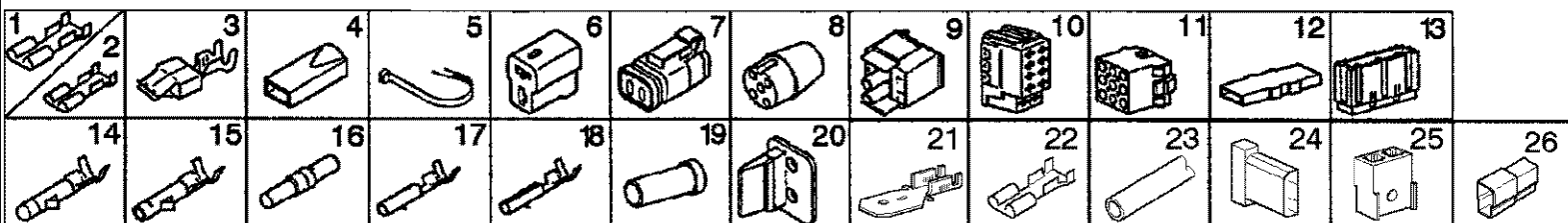
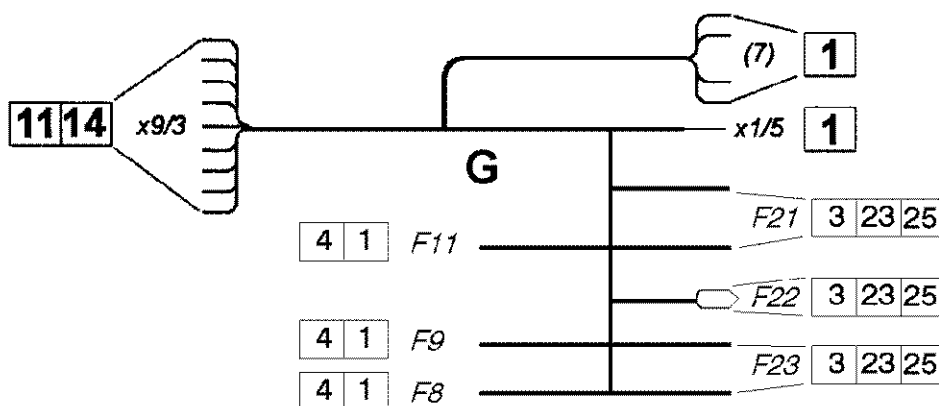
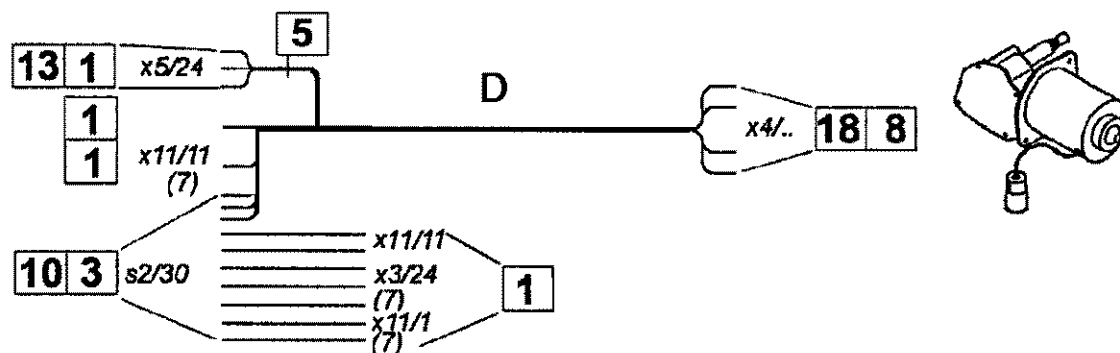
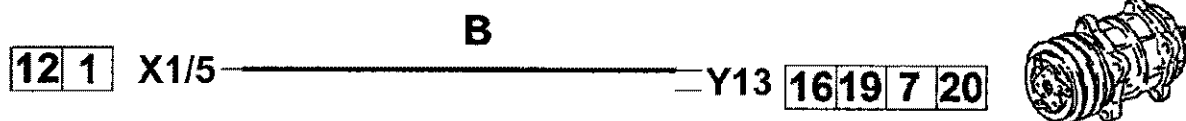
Ref	Onderdeelnummer	Kwt	Beschrijving
34	1-40-177-021	1	KABELBOOM,





## 04-45(01) CAB AIR CONDITIONING - NARROW

Ref	Onderdeelnummer	Kwt	Beschrijving
1	1-41-177-878	1	CABLE ASSY., , Siehe nächste Seite(n) / See next page(s) / Voir page(s) suivante(s) / Se næste side(r) / Vedere pagin(a/e) sequent(e/i)
2	1-41-177-668	1	CABLE ASSY., , Siehe nächste Seite(n) / See next page(s) / Voir page(s) suivante(s) / Se næste side(r) / Vedere pagin(a/e) sequent(e/i)
3	1-41-177-858	1	CABLE ASSY., , Siehe nächste Seite(n) / See next page(s) / Voir page(s) suivante(s) / Se næste side(r) / Vedere pagin(a/e) sequent(e/i)
4	1-40-258-107	1	ZEKERING, , 7,5A
4	1-40-258-120	X	ZEKERING, , 20A
5	1397770015	5	KABEL,
6	199100360174	1	KLEM,
7	190003171697	10	BEVESTIGINGSKLEM, , A5x180 / K02
8	340705A1	1	HARNESS,
9	340702A1	1	HARNESS,
10	299929A1	1	THERMOSTAAT,
11	340712A1	1	POTENTIOMETER,
12	299930A1	1	POTENTIOMETER,
13	340647A1	1	SENSOR,
14	340713A1	1	REGELAAR, , Gebläse / Blower / Ventilateur soufflant / Ventilation / Soffiante
15	1-34-684-085	1	DRUKSCHAKELAAR, , Klimaanlage / Air conditioner / Climatiseur / Klimaanlæg / Climatizzatore
16	1-34-584-510	1	DECAL,
17	1-34-584-515	1	DECAL,
18	1-34-684-477	1	KNOP,
19	1-40-158-006	1	SCHAKELAAR MET HEFBOOM, , Gebläse Dach hoch, schmal ohne Klimaanlage /Blower Roof, high, narrow without air conditioner /Ventilateur soufflant Toit-abri 'haut, etroit sans climatiseur /Ventilation Høj tag, smal uden klimaanlæg /Soffiante Tetto alto, sottile senza climatizzatore
20	190003930282	1	SCHIJF, , A13
21	1-40-758-024	1	RELAIS, , 40/60A ; Klimaanlage / Air conditioner / Climatiseur / Klimaanlæg / Climatizzatore ; Ersetzt / Replaces / Remplace / Udskiftet / Sostituisce 1-40-158-047

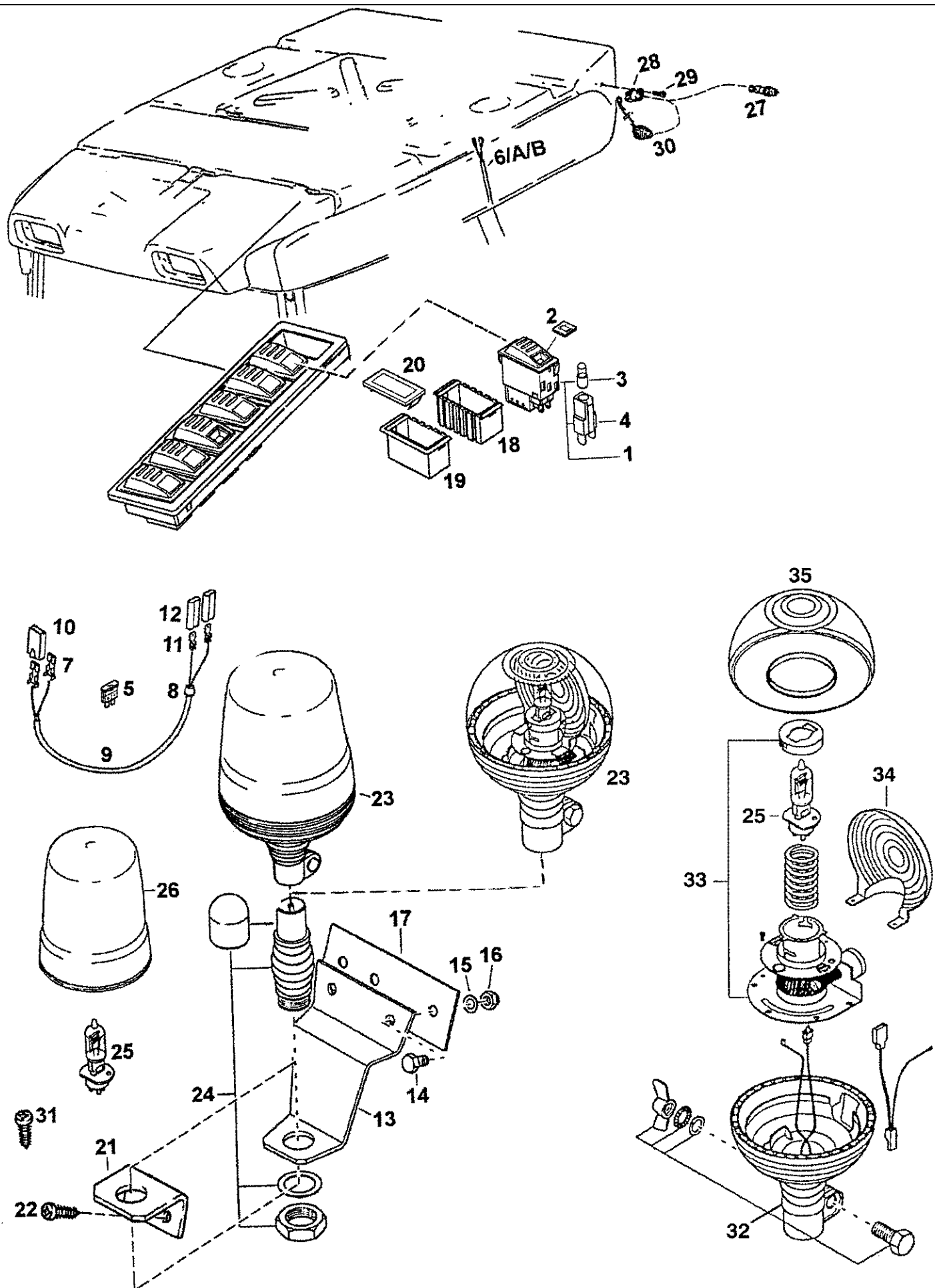


## 04-46(01) ELECTRIC CABLE AIR CONDITIONER

Ref	Onderdeelnummer	Kwt	Beschrijving
A	1-41-177-642	1	HARNESS, , Heckscheibenwischer hinten, Dach schmal / Rear window wiper rear, Roof narrow / Essuie glace arriere derriere, Toit etroit / Bagrudevisker bagest, Tag smal / Tergilunotto posteriore, Tetto sottile
B	1-41-177-668	1	CABLE ASSY., , Kompressor, Dach schmal / Compressor, Roof narrow / Compresseur, Toit etroit / Kompressor, Tag smal / Compresore, Tetto sottile
C	1-41-177-071	1	KABEL, , ----> 02353 ; Scheibenwischer hinten / Rear windshield wiper / Essuie-glaces arriere / Rudevisker bagest / Tergicristalli posteriori
D	1-41-177-171	1	INZETSTUK, , 02354 ----> 03141 ; Ersetzt, / Replaces / Remplace / Udskiftet / Sostituisce 1-41-177-071 ; Scheibenwischer hinten / Rear windshield wiper / Essuie-glaces arriere / Rudevisker bagest / Tergicristalli posteriori / Dach hoch-nieder / Roof, high-low , Toit-abri 'haut-bas / Toit-abri 'haut-bas / Høj tag-lav / Tetto alto-basso
D	1-41-177-671	1	HARNESS, , 03142 ---->
E	1-41-177-858	1	CABLE ASSY., , Klimaanlage / Air conditioner / Climatiseur / Klimaanlæg / Climatizzatore
F	1-41-177-667	1	HARNESS, , Scheibenwaschanlage / Windshield washers / Systemelave-glace / Forrudevasker / Impianto lavavetri
G	1-41-177-678	1	CABLE ASSY., , Stromversorgung Klimaanlagem / Current supply Air conditioner / Alimentation en courant Climatiseur / Strømforsyning Klimaanlæg / Alimentazione elettrica Climatizzatore
1	190003499650	24	KABELSCHOEN, , G01
2	1880770005	2	KABELSCHOEN, , G03
3	1-40-277-036	10	VERBINDING, , G41
4	135700770206	4	ELECTRISCHE ISOLATIE, , J07 ; 1-Polig / 1-pole / À 1 pôle / 1-polet / 1 polo
5	190003171715	X	SPANHULS, , A2,5x100 / K01
6	199014770058	1	AANSLUITING, , M10 ; 2-Polig / 2-pole / À 2 pôle / 2-polet / 2 polo
7	1-40-177-013	1	VERBINDING, , M87
8	1-40-277-003	2	AANSLUITING, , M8E ; 4-Polig / 4-pole / À 4 pôle / 4-polet / 4 polo
9	1-40-277-033	1	HUIS, , M8N
10	1-40-277-039	1	CONTACTDOOS, , M8Q ; 10-Polig / 10-pole / À 10 pôle / 10-polet / 10 polo
11	1-40-177-033	1	CARROSSERIE, , N4S
12	199000770015	1	MEERV. POOLVERBINDINGSTU, , V02 ; 2-Polig / 2-pole / À 2 pôle / 2-polet / 2 polo
13	169200770301	1	VERDELER, , V52 ; 5-Polig / 5-pole / À 5 pôle / 5-polet / 5 polo
14	169200770006	9	VERBINDING, , X06
15	169200770007	2	VERBINDING, , X07
16	133700770376	1	VERBINDING, , X31
17	1-40-277-034	4	PEN, , X32
18	1-40-277-035	8	KABELSCHOEN, , X33
19	133700770383	3	PLUG, , Y20
20	1-40-177-015	1	AANSLUITING, , Y27
21	1390770002	2	TERMINAL, SPADE, , F01
21	1390770002	2	TERMINAL, SPADE, , F01
22	179000770129	3	AANSLUITKLEM, , G19
23	169200770198	6	FLEXIBELE BUIS, , J10

## 04-46(01) ELECTRIC CABLE AIR CONDITIONER

Ref	Onderdeelnummer	Kwt	Beschrijving
24	1-40-177-017	1	AANSLUITING, , M89 ; 3,-Polig / 3-pole / À 3 pôle / 3-polet / 3 polo
25	1-40-258-048	3	ZEKERINGHOUDER, , M3N
26	199014770059		HUIS, , N06



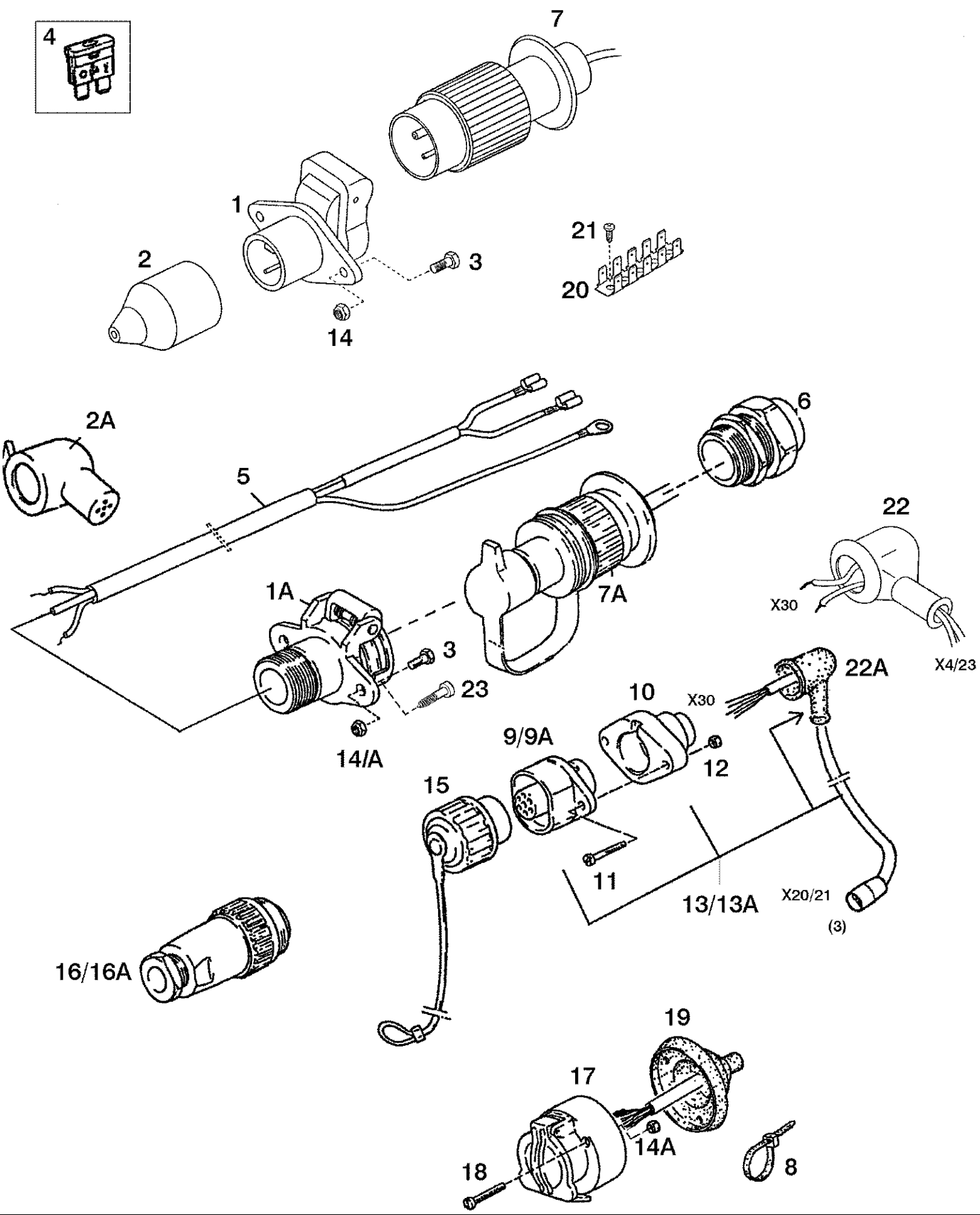
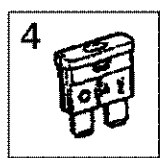
## 04-47(01) ROTATING BEACON

Ref	Onderdeelnummer	Kwt	Beschrijving
1	1-40-158-604	1	SCHAKELAAR, , ( 0-1 ) ; Ersetzt / Replaces / Remplace / Udskiftet / Sostitutisce 139900580066 ; Einschließlich / Includes / Avec / Inklusive / Compreso 3, 4
2	139900580085	1	SYMBOLLEN,
3	3141107R1	1	LAMP, W5/1.2, 12V, 1.2W,
4	169200580087	1	AANSLUITING,
5	1-40-258-115	1	ZEKERING,
6	1-41-177-625	1	CABLE ASSY., , 03142 ----> ; Dach hoch / Roof, high / Toit-abri 'haut / Høj tag / Tetto alto
6A	1-41-177-274	1	HARNESS, , ----> 03141 ; Dach nieder / Roof, low / Toit-abri bas / Høj lav / Tetto basso
6A	1-41-177-674	1	CABLE ASSY., , 03142 ----> ; Dach nieder / Roof, low / Toit-abri bas / Høj lav / Tetto basso
6B	1-41-177-627	1	CABLE ASSY., , Dach schmal / Roof narrow / Toit-abri etroit / Høj smal / Tetto sottile
7	190003499650	6	KABELSCHOEN, , G01
8	190003129042	2	KABELDOORGANG, , Q02 ; 6x3
9	1-41-177-079	1/2	KABEL, , Dach hoch-nieder / Roof, high-low / Toit-abri 'haut-bas / Høj tag-lav / Tetto alto-basso
10	135700770206	2	ELECTRISCHE ISOLATIE, , J07 ; 1-Polig / 1-pole / À 1 pôle / 1-polet / 1 polo
11	179100770004	2	AANSLUITKLEM, , F04
12	179100770001	4	PROFIEL, , J04
13	1-41-181-002	2	STEUNBEUGEL, , Dach hoch / Roof, high / Toit-abri 'haut / Høj tag / Tetto alto
14	43127	2/4	BOUT, Hex, M8 x 25, 8.8,
15	190003098009	2/4	DICHTING, RUBBER, , A8x14-CU
16	190003888451	2/4	MOER, , VM8-8
17	1-41-181-003	2	PLAAT,
18	135700710003	X	HUIS, , 4-Polig / 4-pole / À 4 pôles / 4-polet / 4 polo
19	135700710002	X	RAAM,
20	139900580021	X	DEKSEL,
21	1-40-181-009	1	KONZOOL, , Dach nieder, schmal / Roof low, narrow / Toit-abri bas, etroit / Høj lav, smal / Tetto basso, sottile
22	190003840055	2	SCHROEF, , 6,3x19
23	133700810011	1/2	ZWAAILICHT, , Besteht aus / Consists of / Compose de / Bestående af / È composto da 25, 32 - 35
23	1-40-181-012	1/2	ZWAAILICHT, , Ersetzt / Replaces / Remplace / Udskiftet / Sostitutisce 133700810011 ; Besteht aus / Consists of / Compose de / Bestående af / È composto da 25,26
24	1-40-181-010	1/2	VERBINDING,
25	1-40-779-001	1	LAMP, , H1/12V
26	1-40-781-002	1	TRANSPARENTE,
27	1-40-171-021	X	AANSLUITING, , 4-Polig / 4-pole / À 4 pôles / 4-polet / 4 polo
28	1-40-171-017	X	AANSLUITING, , 4-Polig / 4-pole / À 4 pôles / 4-polet / 4 polo ; Signal / Signal / Signal / Signal / Segnal
29	190003840029	4	SCHROEF, , St2,9x13-N-HA3C
30	1-40-171-018	X	BESCHERMDEKSEL,
31	190003844548	2	SCHROEF, , 4,8x25
32	133700810701	1	HUIS,
33	133700810702	1	KLEINE ELECTRISCHE MOTOR,
34	133700810703	1	RETRO-REFLECTOR,

04-47(01) ROTATING BEACON

Ref	Onderdeelnummer	Kwt	Beschrijving
35	133700810704	1	TRANSPARENTE,

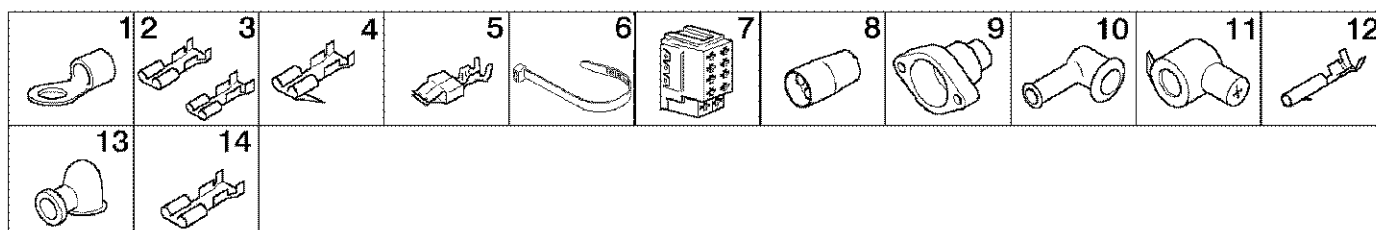
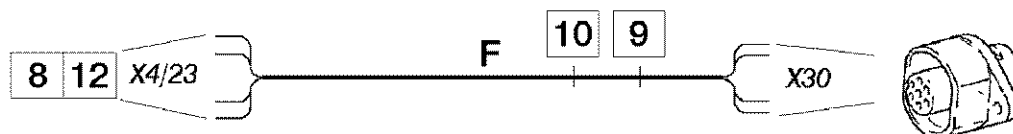
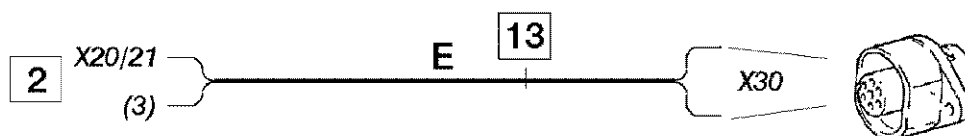
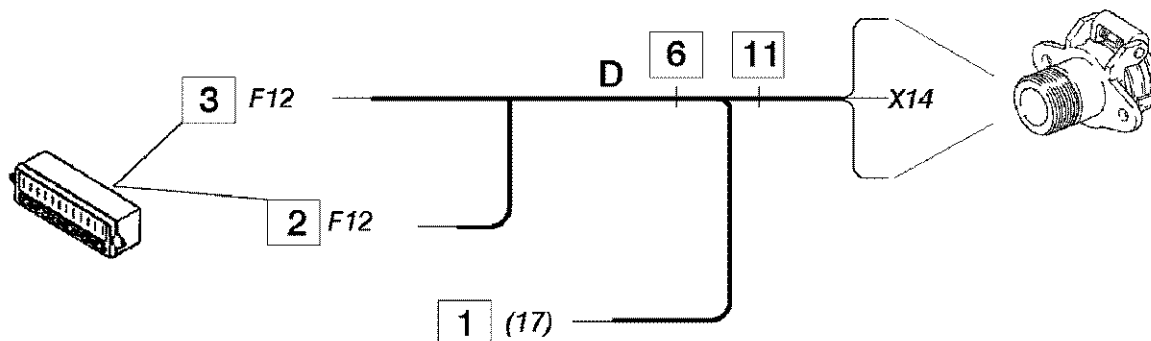
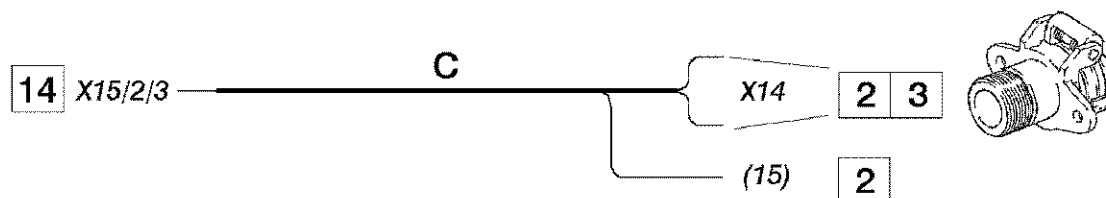
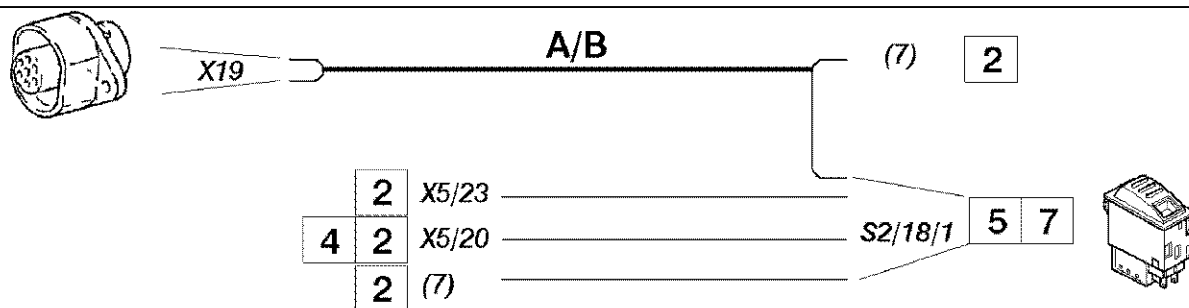




## 04-48(01) PLUG-SOCKET - SUNDRIES

Ref	Onderdeelnummer	Kwt	Beschrijving
1	133700770382	1	FITTING/RECIPIËNT, , 25A ; ---->03141
1A	1-40-171-036	1	AANSLUITING, , R53 ; 40A ; 03142 ----> ; 3-Polig / 3-pole / À 3 pôle / 3-polet / 3 polo ; Leistungssteckdose / Power socket / Prise de puissance / Ydelsesstikdåse / Presa di potenza
2	133700770386	1	BESCHERMDEKSEL, , Q45 ; ----> 03141
2A	1-40-277-040	1	SENSOR, , W41 ; 03142 ---->
3	190003802216	2	SCHROEF, , M5x12-8.8
4	1-40-258-125	1	ZEKERING, , 25A
4	1-40-177-040	1	ZEKERING, , 40A
5	1-41-177-082	1	KABEL, , ----> 03141
5	1-41-177-682	1	CABLE ASSY., , 03142 ---->, Siehe nächste Seite(n) / See next page(s) / Voir page(s) suivante(s) / Se næste side(r) / Vedere pagin(a/e) sequent(e/i)
6	1-40-171-038	1	MOER VOOR BUIZEN, , 03142 ---->
7	1-40-171-022	1	VERBINDING, , 25A ; ----> 03141
7A	1-40-171-037	1	AANSLUITING, , 40A ; 03142 ---->
8	190003171697	X	BEVESTIGINGSKLEM, , A5x180 / K02
9	1-40-171-017	1	AANSLUITING, , ----> 02468 ; 4-Polig / 4-pole / À 4 pôlen / 4-polet / 4 polo ; Signal / Signal / Signal / Signal / Segnali
9A	1-40-271-032	1	AANSLUITING, , R55 ; 02469 ----> ; 7-Polig / 7-pole / À 7 pôle / 7-polet / 7 polo ; Signal / Signal / Signal / Signal / Segnali
10	1-40-171-019	1	AANSLUITING, , Q58
11	190003820163	2	SCHROEF, , M3x25-4,8-H-A2C
12	86508812	2	MOER, M3, CI 8, , M3-6-A2C
13	1-41-177-083	1	KABEL, , ----> 02468
13A	1-41-177-683	1	CABLE ASSY., , 02469 ---->, Siehe nächste Seite(n) / See next page(s) / Voir page(s) suivante(s) / Se næste side(r) / Vedere pagin(a/e) sequent(e/i)
14	190003888450	2	MOER, , VM5-8-A2C ; ----> 03141
14A	825-1405	3	MOER, M5, CI 8, 03142 ---->
15	1-40-171-018	1	BESCHERMDEKSEL,
16	1-40-171-021	1	AANSLUITING, , ----> 02468 ; 4-Polig / 4-pole / À 4 pôlen / 4-polet / 4 polo
16A	1-40-171-023	1	VERBINDING, , 02469 ----> ; 7-Polig / 7-pole / À 7 pôle / 7-polet / 7 polo
17	1-40-171-029	1	AANSLUITING, , R54 ; 7-Polig / 7-pole / À 7 pôle / 7-polet / 7 polo
18	190003820167	3	SCHROEF, , M5x30
19	1397710023	1	DICHTING, RUBBER, , Q43
20	139900580030	1	VERDELER, , V20
21	190003843106	1	SCHROEF, , ST4,2x9,5
22	1209090004		BESCHERMDEKSEL, , U01 ; ----> 02468
22A	13809770107	1	KABELDOORGANG, , U02 ; 02469 ---->
23	190003840055	1	SCHROEF, , 6,3x19

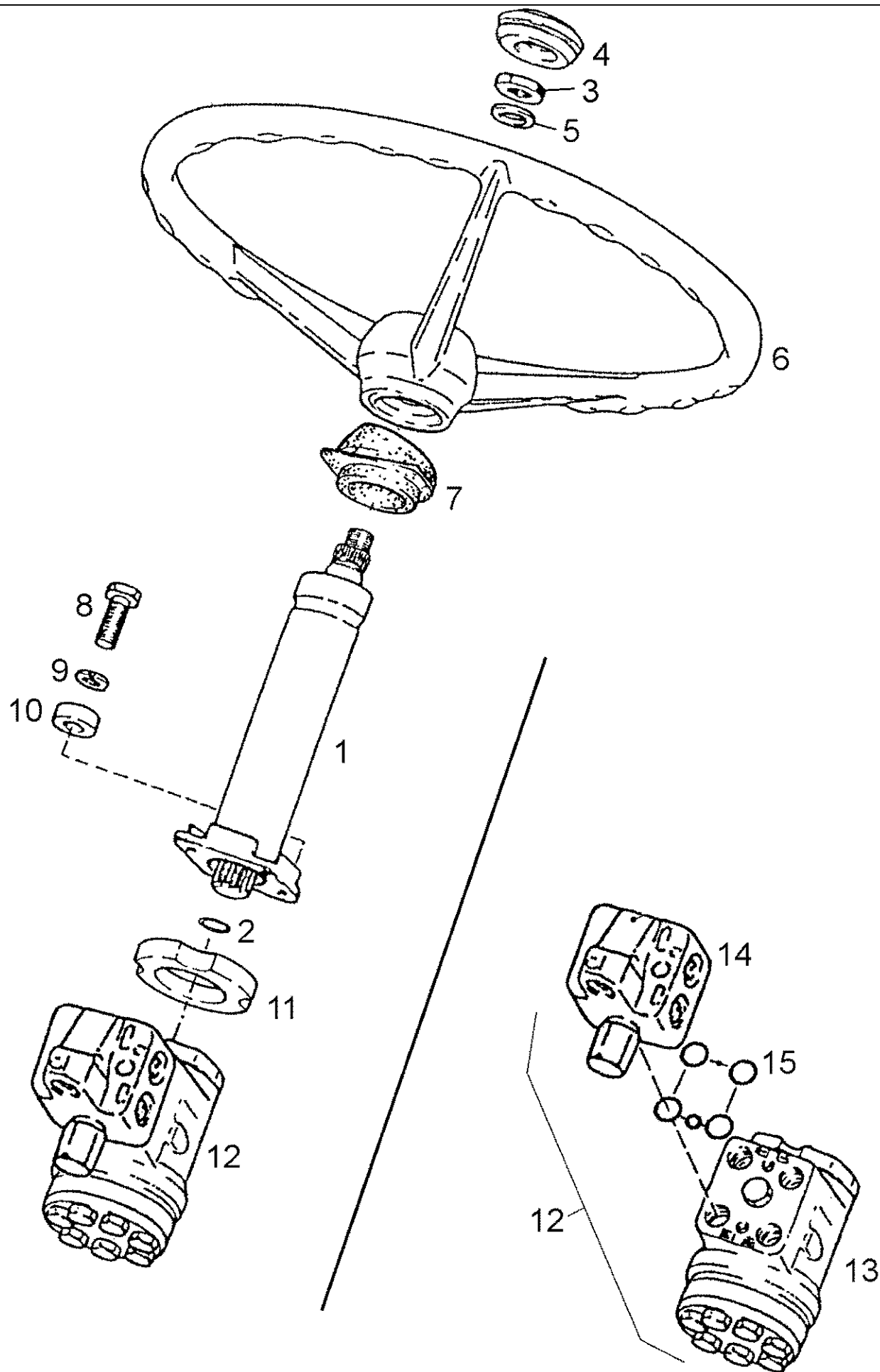
04-49(01) PLUG-SOCKETS - CABLES



## 04-49(01) PLUG-SOCKETS - CABLES

Ref	Onderdeelnummer	Kwt	Beschrijving
A	1-41-177-274	1	HARNESS, , ----> 03141
B	1-41-177-674	1	CABLE ASSY., , 03142 ---->; Drehlicht Dach nieder / Rotary light Roof, low / Phare rotatif Toit-abri de bas / Drejbart lys Høj lav / Luce rotante Tetto basso
C	1-41-177-082	1	KABEL, , ----> 03141
D	1-41-177-682	1	CABLE ASSY., , 03142 ---->; Leistungssteckdose / Power socket / Prise de puissance / Ydelsesstikdåse / Presa di potenza
E	1-41-177-083	1	KABEL, , ----> 02468
F	1-41-177-683	1	CABLE ASSY., , 02469 ---->; Normsignalsteckdose / Standard signal socket / Prise de signal normalisée / Normsignalstikdåse / Presa per segnalazioni a norma
1	190003499661	1	KABELSCHOEN, , B01
2	190003499650	4	KABELSCHOEN, , G01
3	190003499746	1	VERBINDING, , G06
4	133700770093	1	LAGERBUS, , G20
5	1-40-277-036	4	VERBINDING, , G41
6	190003171697	X	BEVESTIGINGSKLEM, , A5x180 / K02
7	1-40-277-039	1	CONTACTDOOS, , M8Q ; 10-Polig / 10-pole / À 10 pôle / 10-polet / 10 polo
8	1-40-277-004	1	AANSLUITING, , N4B ; 4-Polig / 4-pole / À 4 pôle / 4-polet / 4 polo
9	1-40-171-019	1	AANSLUITING, , Q58
10	13809770107	1	KABELDOORGANG, , U02
11	1-40-277-040	1	SENSOR, , W41
12	1-40-277-034	4	PEN, , X32
13	1209090004	1	BESCHERMDEKSEL, , U01
14	179100770006	1	VERBINDING, , G17

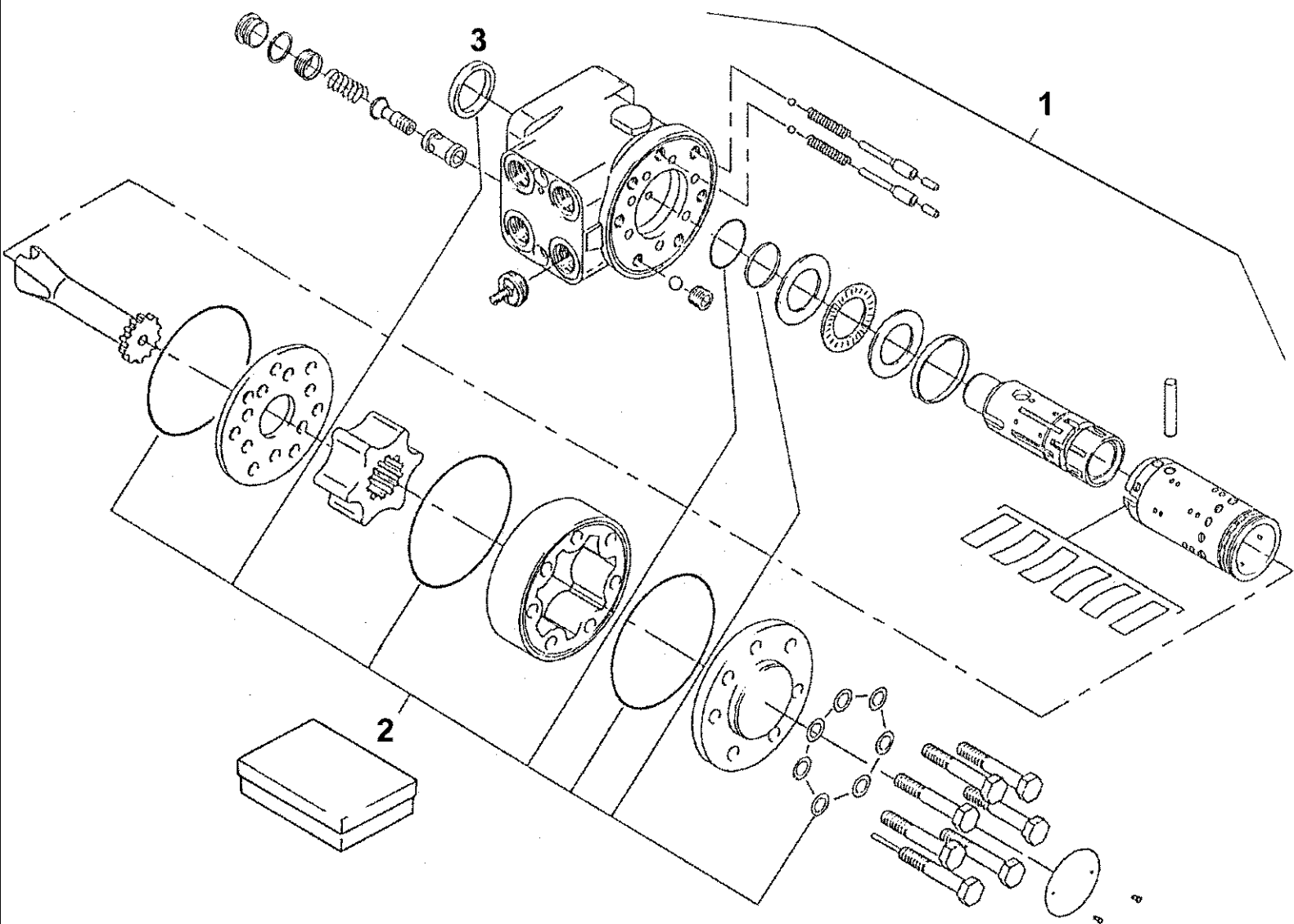




## 05-01(01) STEERING WHEEL, COLUMN, SERVOSTEERING

Ref	Onderdeelnummer	Kwt	Beschrijving
1	1-33-247-002	1	STUURKKOLOM, , Einschließlich/Includes/Avec/Inklusive/Compreso 2, 3
2	1-33-747-010	1	O-RING, , 13,5x2,5
3	190003871547	1	MOER, , M18x1,5-A3C-DIN936
4	133700470207	1	LOGO, DEALERSHIP IDENTITE,
5	190003930311	1	SCHIJF, , A19
6	133700470274	1	STUURWIEL,
7	1-33-147-117	1	COVER, PROTECTIVE,
8	9706704	3	BOUT, Hex, M10 x 35, 8.8, Full Thd, , M10x35-8.8
9	190003931122	3	BORGRING, , A10
10	1586230019	3	ROL,
11	1-33-147-053	1	RING,
12	1-33-247-004	1	STEERING ASSY, , ---->04631; Besteht aus/Consists of/Compose de/Bestående af/È composto da 13, 14
12	1-33-247-006	1	STEERING ASSY, , 04632 ---->; Besteht aus/Consists of/Compose de/Bestående af/È composto da 13, 14
13	1-33-247-001	1	STEERING ASSY, , Nr. : 150-8062 / ---->04631, Siehe nächste Seite(n)/See next page(s)/Voir page(s) suivante(s)/Se næste side (r )/Vedere pagin(a/e) seguent(e/i)
13	1-33-747-612	1	STEERING ASSY, , Nr. : 150G5024 / 04632 ---->; Siehe nächste Seite(n)/See next page(s)/Voir page(s) suivante(s)/Se næste side (r )/Vedere pagin(a/e) seguent(e/i)
14	1-33-247-003	1	VALVE, , Nr. : 152B8009 / ---->04631; Einschließlich/Includes/Avec/Inklusive/Compreso 15
14	1-33-747-613	1	VALVE, , Nr. : 152B8026 / 04632 ---->; Einschließlich/Includes/Avec/Inklusive/Compreso 15
15	1-33-747-011	1	KIT, GASKET,

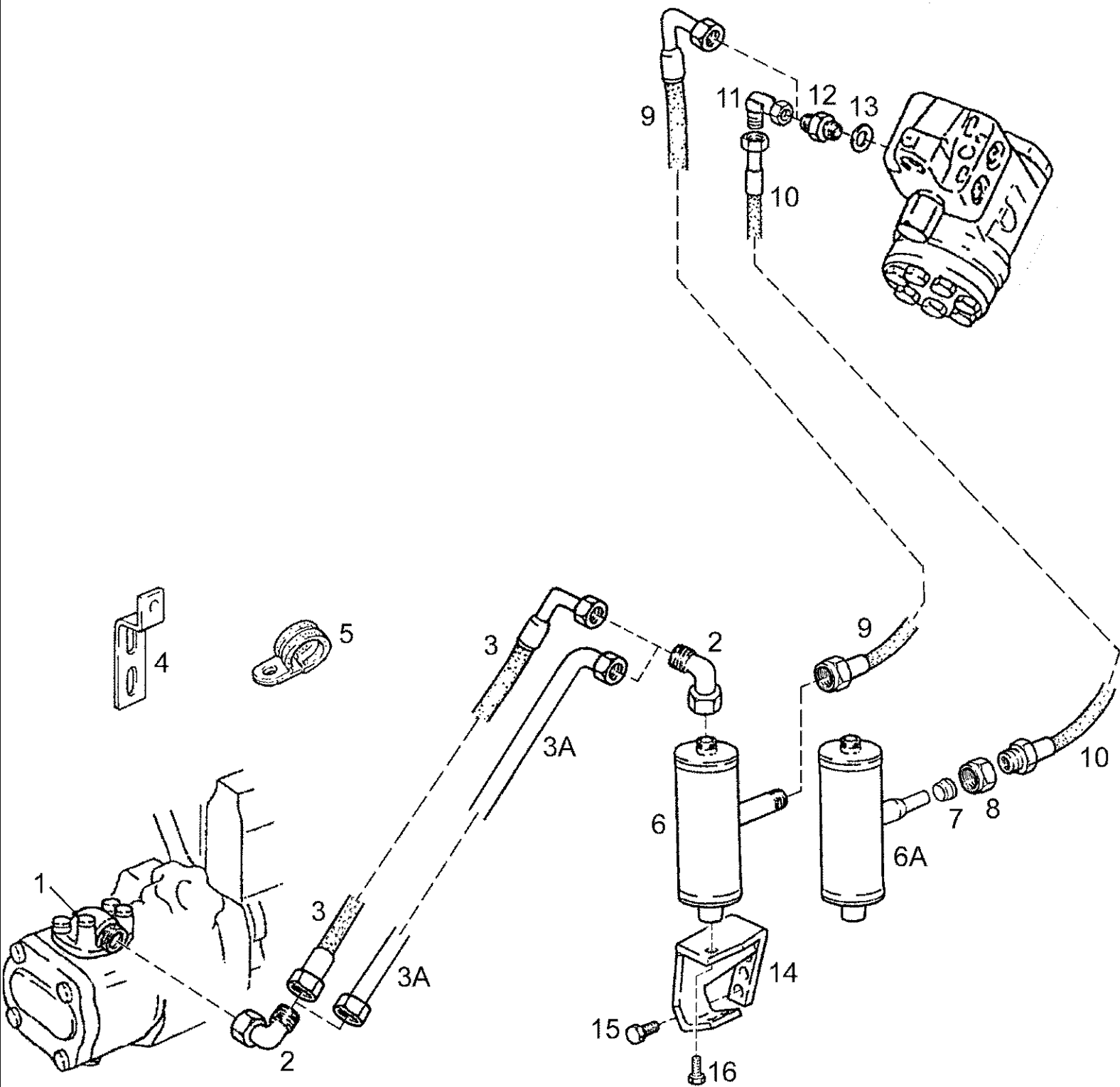
05-02(01) STEERING CONTROL VALVE





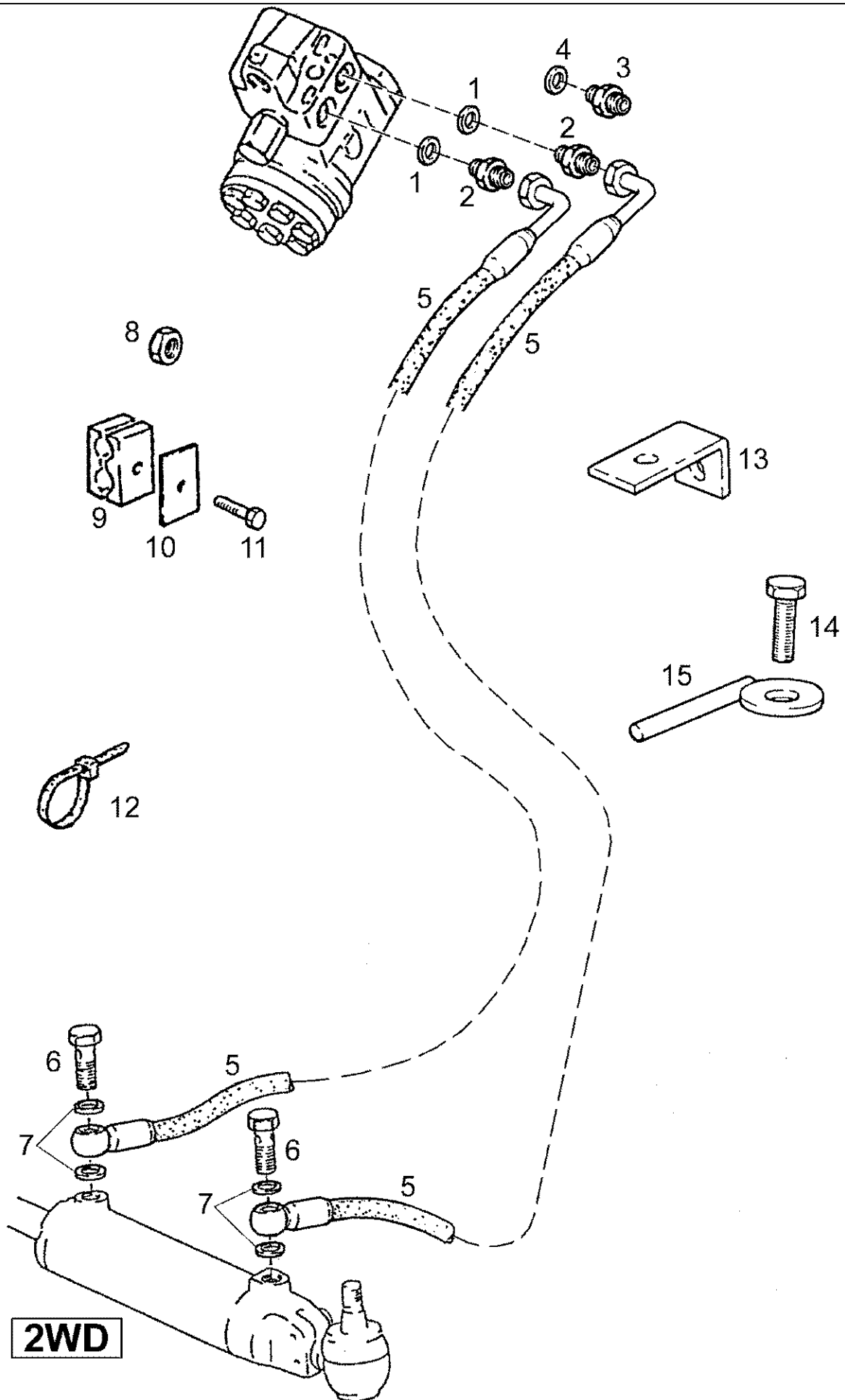
## 05-02(01) STEERING CONTROL VALVE

Ref	Onderdeelnummer	Kwt	Beschrijving
1	1-33-247-001	1	STEERING ASSY, , Nr. : 150-8062 / ---->04631
1	1-33-747-612	1	STEERING ASSY, , Nr. : 150G5024 / 04632 ---->
2	133700470702	1	KIT, GASKET, , ---->04631
2	1-33-747-100	1	KIT, GASKET, , 04632 ---->
3	133700470701	1	RING, PACKING,



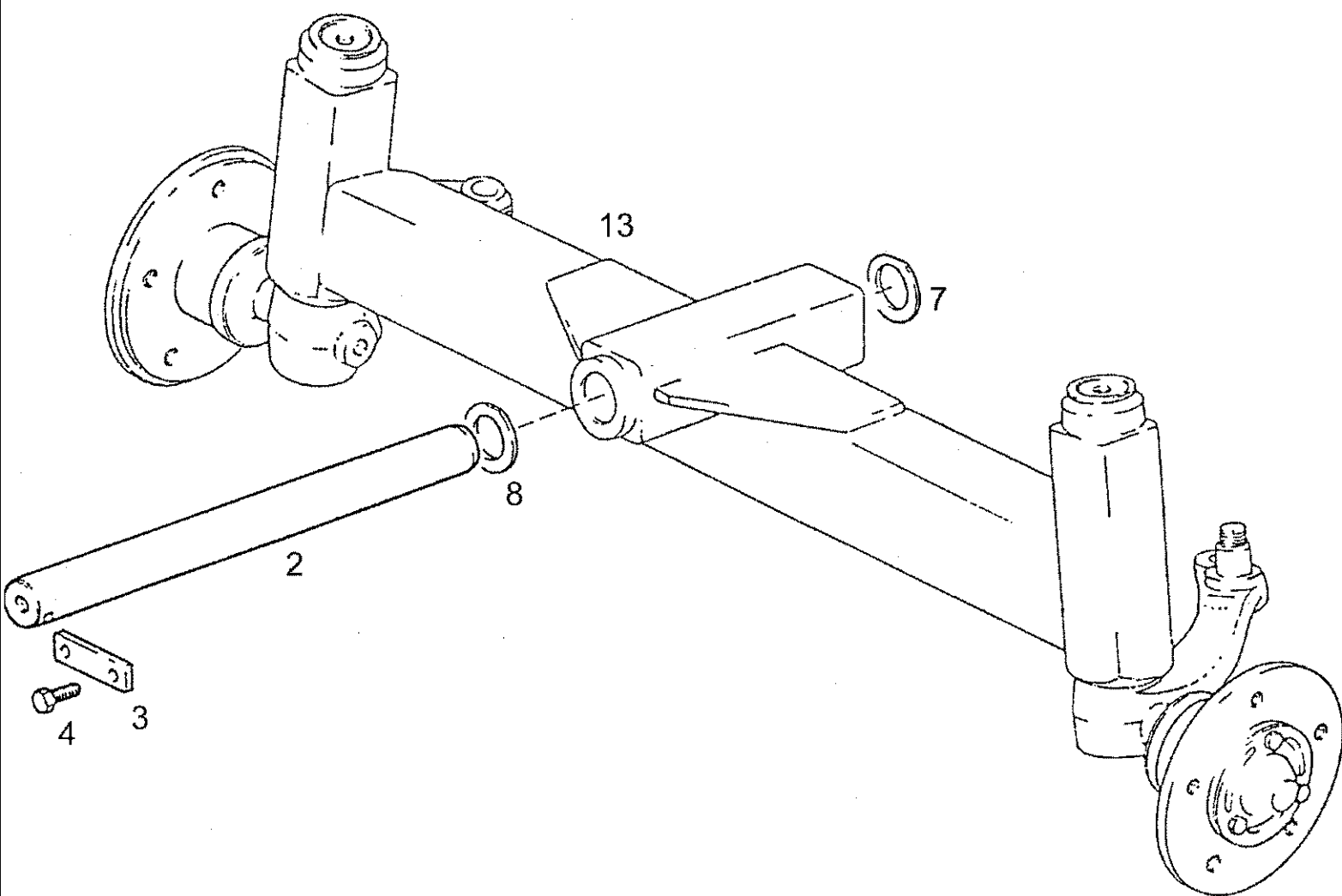
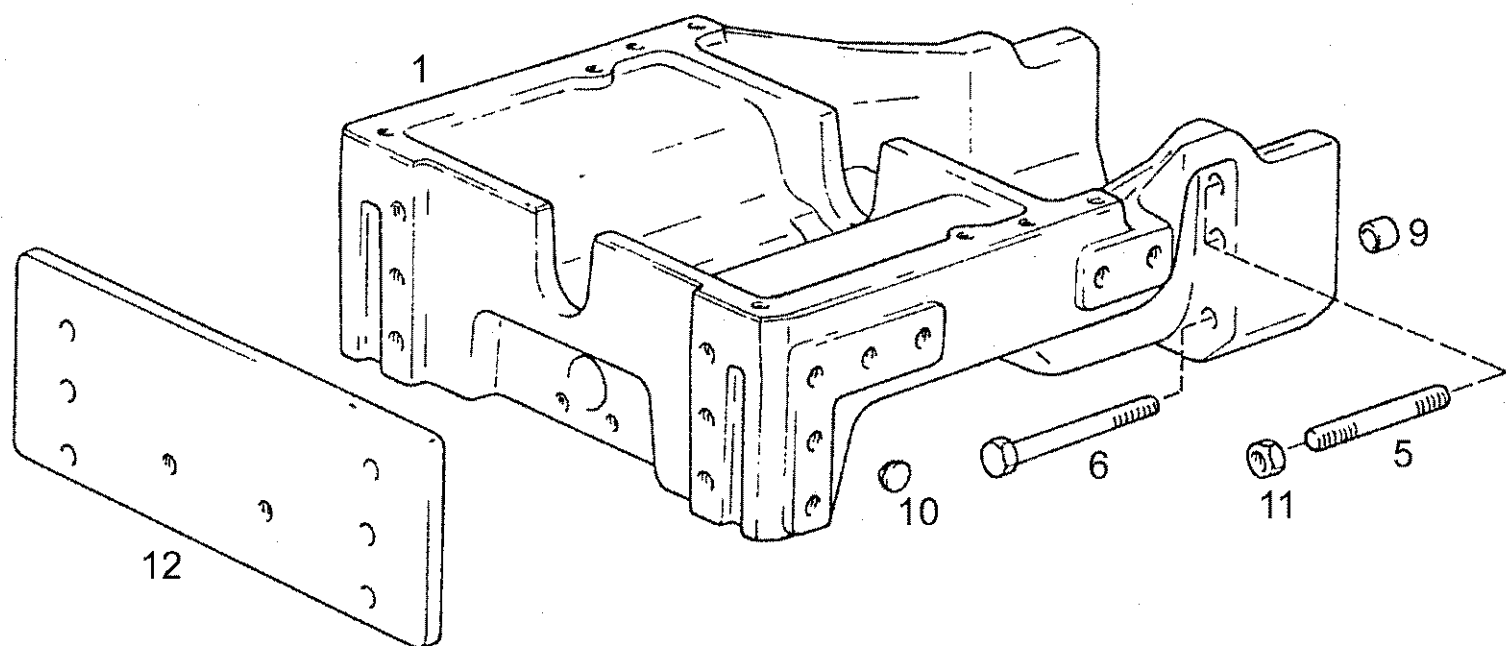
## 05-03(01) STEERING PIPES / RESERVOIR

Ref	Onderdeelnummer	Kwt	Beschrijving
1	REF	-	INSTRUCTION, , Siehe Kapitel 02/See Chapter 02/Voir Chapitre 02/Se kapitel 02/Vedere capitolo 02
2	190003559493	2	VERBINDING, , L15
3	155700730192	1	FLEXIBELE BUIS, , ---->01458
3A	133700732505	1	DRUKLEIDING, , 01459 ---->
4	199014362124	1	, ---->01458
5	1-33-147-101	1	LEIDINGKLEM, , ---->01458
6	1-33-147-078	1	OIL RESERVOIR,
6A	1-33-147-205	1	CONTAINER, , Einschließlich/Includes/Avec/Inklusive/Compreso 7, 8
7	190003559562	1	TONNETJE, , L15
8	190003559515	1	MOER, , AL15
9	1-33-147-118	1	HOSE ASSY.,
10	1-33-147-183	1	FLEXIBELE BUIS,
11	190003559493	1	VERBINDING, , L15
12	190003551203	1	VERBINDING, , L15
13	190003098021	1	DICHTINGSRING, , A18x24-CU
14	1-33-147-176	1	GUIDE, LEVERS,
15	190003860312	2	, M14x25-8.8
16	43138	1	BOUT, Hex, M10 x 20, 8.8, Full Thd,

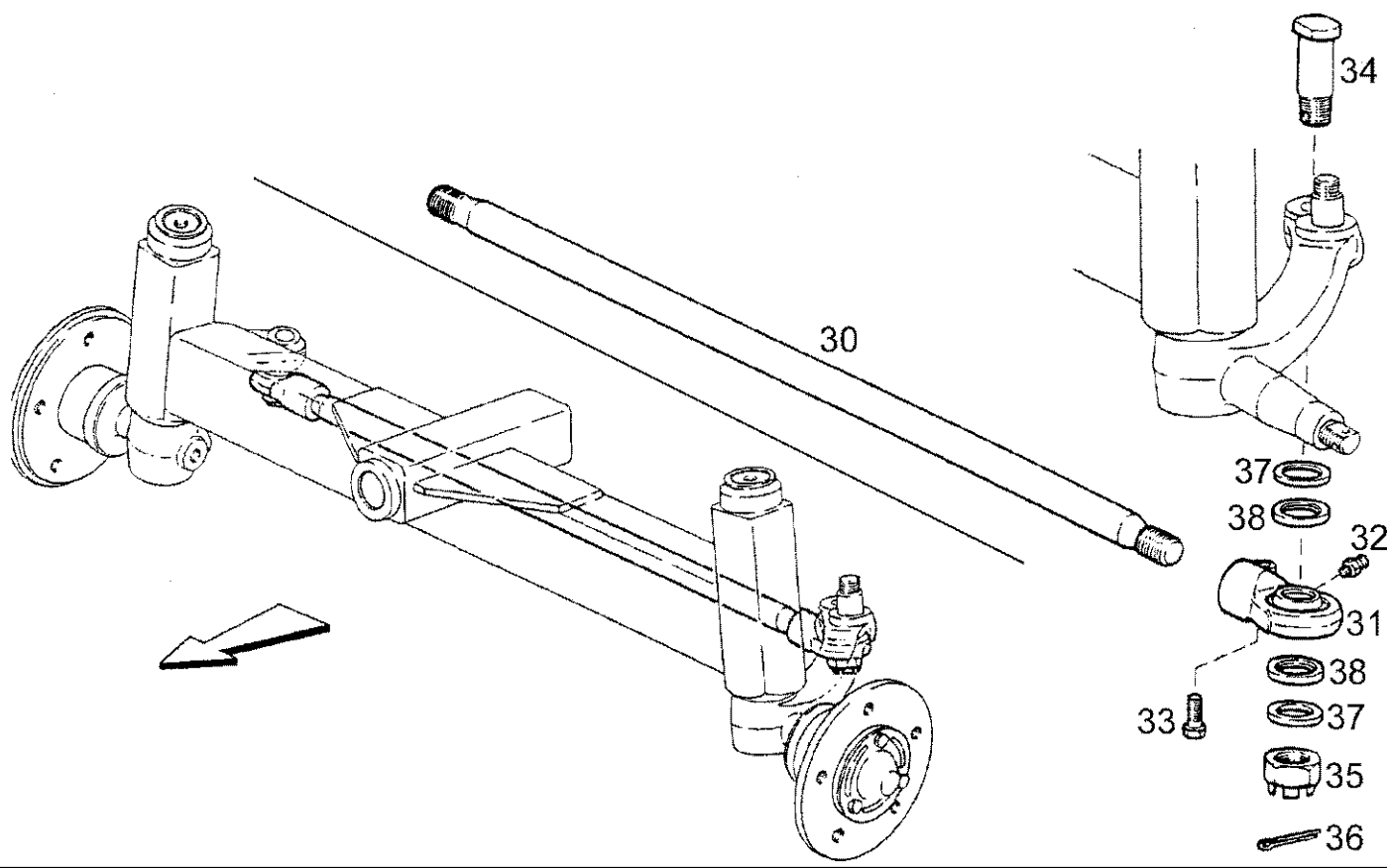
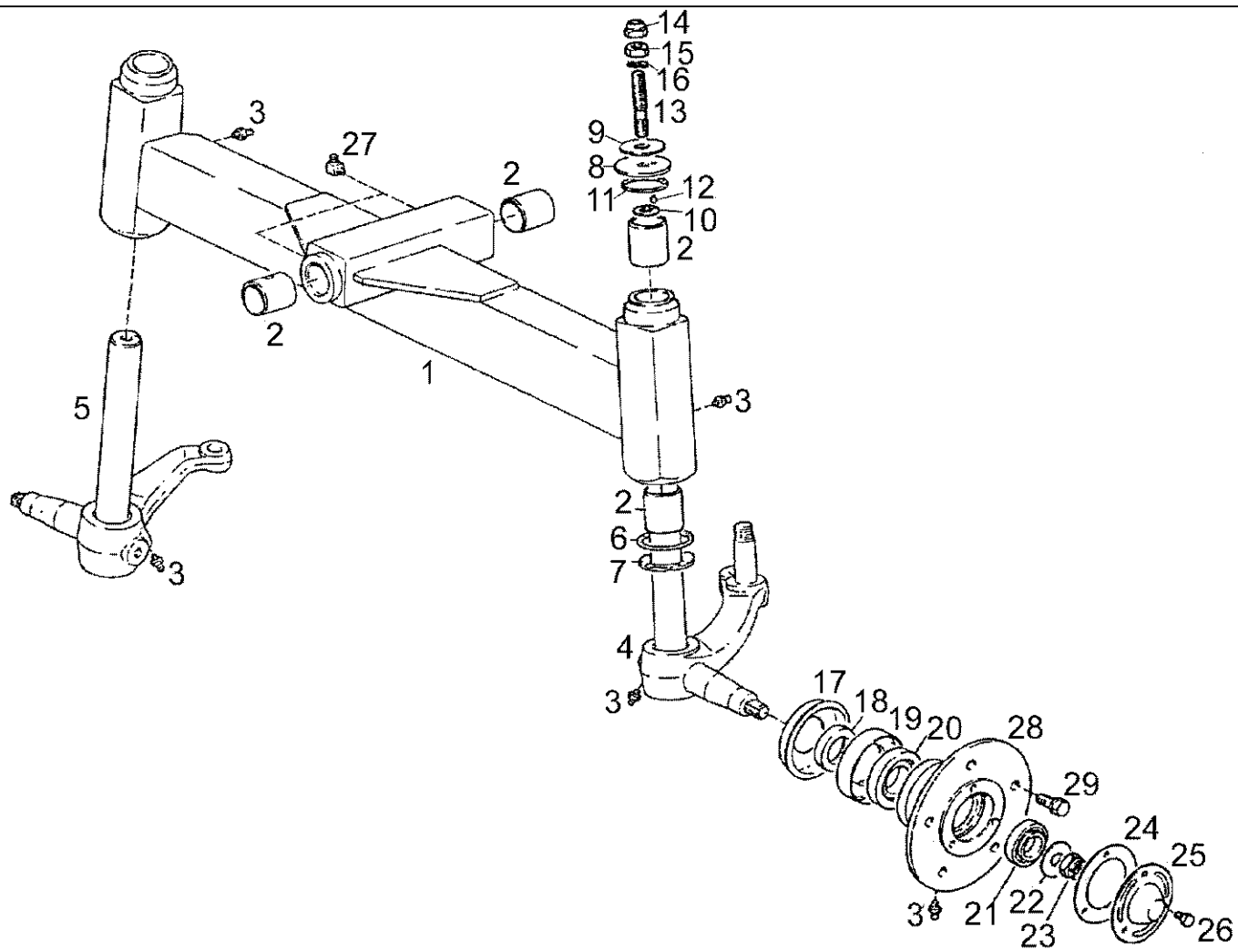


## 05-04(01) STEERING PIPES / 2 WD

Ref	Onderdeelnummer	Kwt	Beschrijving
1	190003098021	2	DICHTINGSRING, , A18x24-CU / ---->. . . .
2	1-33-147-054	2	FITTING, , ---->. . . .
3	1-33-147-207	2	VERBINDING, , Einschließlich/Includes/Avec/Inklusive/Compreso 4 - Ersetzt/Replaces/Remplace/Udskiftet/Sostituisce 1, 2
4	NSS	-	NIET ALLEEN VERKRIJGBAAR,
5	1-33-147-063	2	FLEXIBELE BUIS,
6	190003962632	2	VIJZELSCHROEF, , 15-3
7	190003098021	4	DICHTINGSRING, , A18x24-CU
8	43362	1	MOER, M8, CI 10,
9	1-33-147-033	1	KLEM,
10	1-33-147-034	1	DEKSEL,
11	190003802451	1	SCHROEF, Hex, M8 x 50, 8.8, , M8x50-8.8
12	190003170283	1	BUISKLEM, , A8x280 / K04
13	1-33-147-098	1	HOEKSTUK,
14	43151	1	BOUT, Hex, M12 x 20, 8.8, Full Thd, , M12x20-8.8
15	1-33-147-131	1	

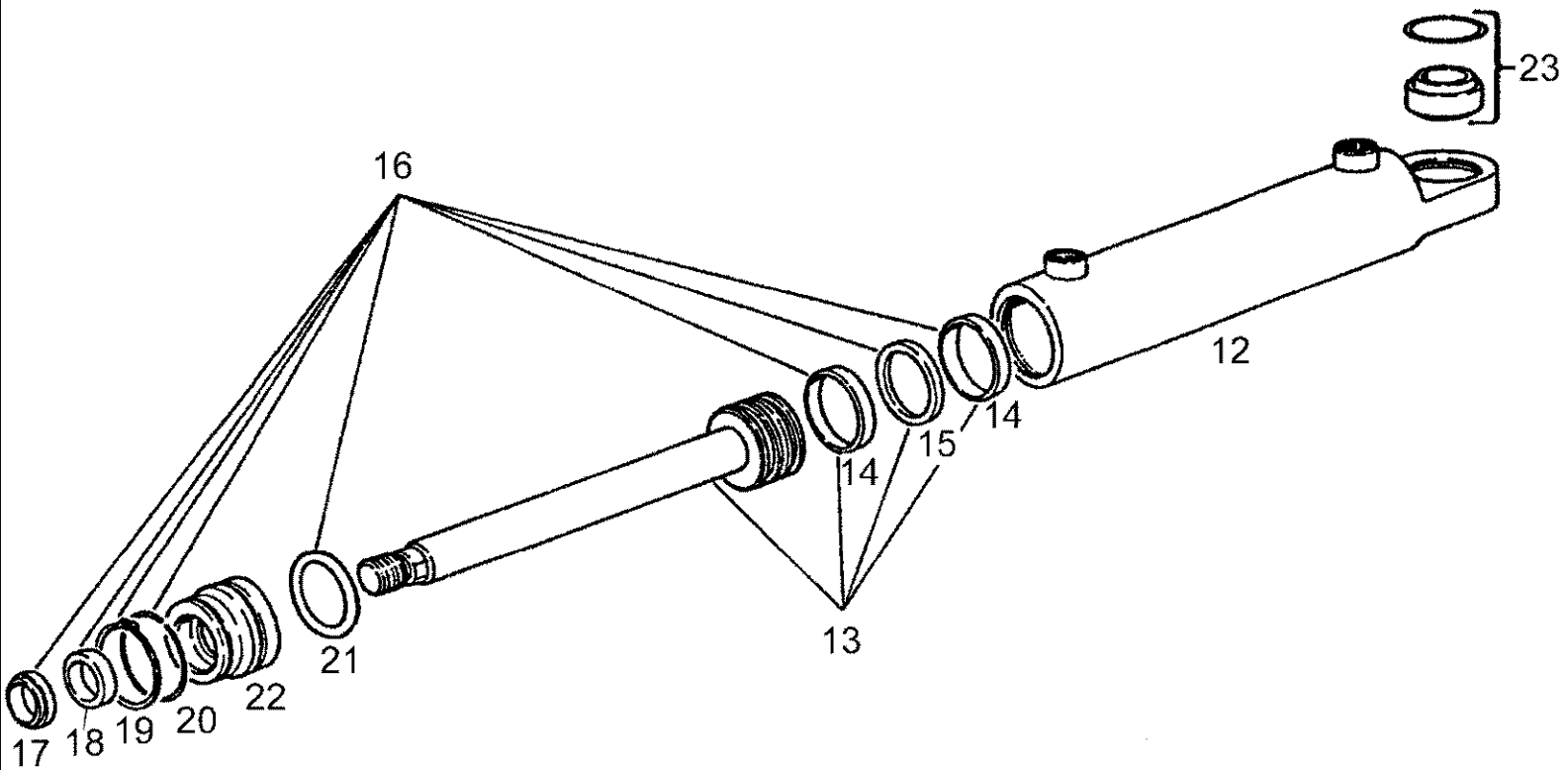
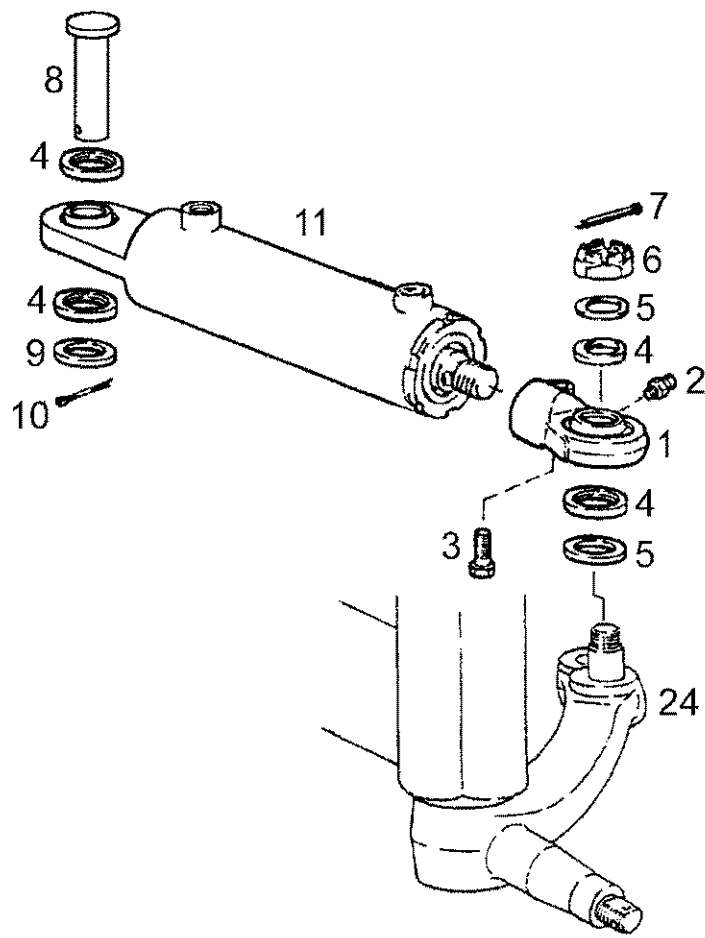


Ref	Onderdeelnummer	Kwt	Beschrijving
1	1-33-241-100	1	CARRIER, AXLE,
2	133700410260	1	PIN, LARGE,
3	11800410070	1	ZEKERING,
4	43138	2	BOUT, Hex, M10 x 20, 8.8, Full Thd,
5	190003810087	4	TAPEIND, , M18x130-10.9
6	190003800353	2	SCHROEF, , M18x140-10.9
7	1192410037	X	SLUITRING, , 3,00mm
7	1192410040	X	SLUITRING, , 3,25mm
7	1192410038	X	SLUITRING, , 3,50mm
7	1192410041	X	SLUITRING, , 3,75mm
7	1192410039	X	SLUITRING, , 4,00mm
8	1192410035	X	SLUITRING, , 0,5mm
9	1-33-141-016	2	LAGER,KOPPELING DRUKPLAA,
10	190003171679	14	PLUG, , A14,6x9,5
11	190003870031	4	MOER, , M18-10
12	REF	-	INSTRUCTION, , Siehe Kapitel 09C/See Chapter 09C/Voir Chapitre 09C/Se kapitel 09C/Vedere capitolo 09C
13	REF	-	INSTRUCTION, , Siehe nächste Seite(n)/See next fig.(s)/Voir page(s) suivante(s)/Se næste side (r )/Vedere pagin(a/e) seguent(e/i)



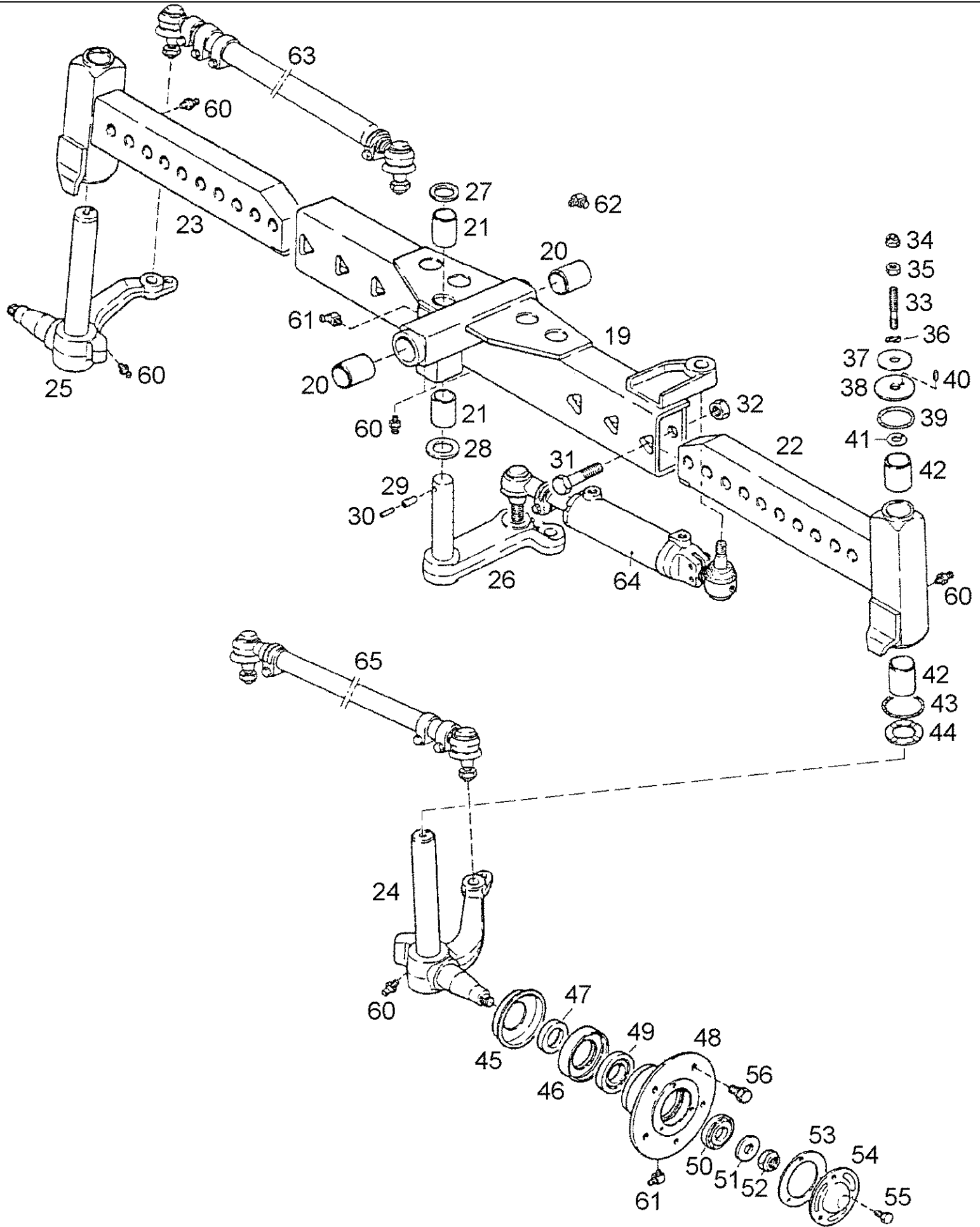


Ref	Onderdeelnummer	Kwt	Beschrijving
1	133700410281	1	VERBINDINGSSTUK, MIDDEN, , Einschließlich/Includes/Avec/Inklusive/Compreso 2
2	133700410213	6	LAGERBUS,
3	190003963112	11	SMEERNIPPEL, , AM8x1
4	133700410245	1	STUURGEWRIGHT (COMPLEET),
5	133700410247	1	STUURGEWRIGHT (COMPLEET),
6	1288410166	2	RING, PACKING, , 57,2x5,7
7	1295410060	2	SCHIJF,
8	133700410165	2	SLUITRING,
9	190003932622	2	SCHIJF, , R17,5
10	133700410166	X	SLUITRING, , 0,125mm
10	133700410167	X	SLUITRING, , 0,5mm
10	133700410168	X	SLUITRING, , 0,7mm
11	11800410049	2	RING, PACKING, , 50x6
12	190003909731	2	SPANSTIFT, , 4x10
13	1390410058	2	TAPEIND,
14	190003888459	2	MOER, , VM16x1,5- 8
15	190003871341	2	MOER, , M16x1,5-10
16	190003932018	2	WASHER, SPRING, , B16
17	1288410146	2	SHEET,
18	1288410145	2	RACE,
19	1288410147	2	DRAAGFLENS VOOR AFDICHTIN,
20	190003326020	2	LAGER, KOGEL,
21	190003326218	2	LAGER, KOGEL,
22	1190410031	2	SCHIJF,
23	1295410093	2	MOER,
24	11800410069	2	DICHTINGSRING,
25	1190410030	2	DEKSEL,
26	190003802503	6	SCHROEF, , M10x12-8.8
27	190003963114	2	SMEERNIPPEL, , BM8x1
28	1-33-241-276	2	NAAF,
29	190003860004	10	SCHROEF, , G14x24-8.8
30	133700430061	1	TREKSTANG,
31	137700470144	2	KOPPELING, , Einschließlich/Includes/Avec/Inklusive/Compreso 32, 33
32	190003963112	2	SMEERNIPPEL, , AM8x1
33	190003802544	2	SCHROEF, , M10x30-10.9
34	139900470003	2	PIN, LARGE,
35	190003872369	2	MOER, , M24x1,5
36	190003920431	2	SPLITPEN, , 5x40
37	133700410222	4	WASHER, THRUST,
38	133700470103	4	DICHTINGSSTUK,



## 05-07(01) STEERING CYLINDER FOR FRONT AXLE, NOT ADJUSTABLE

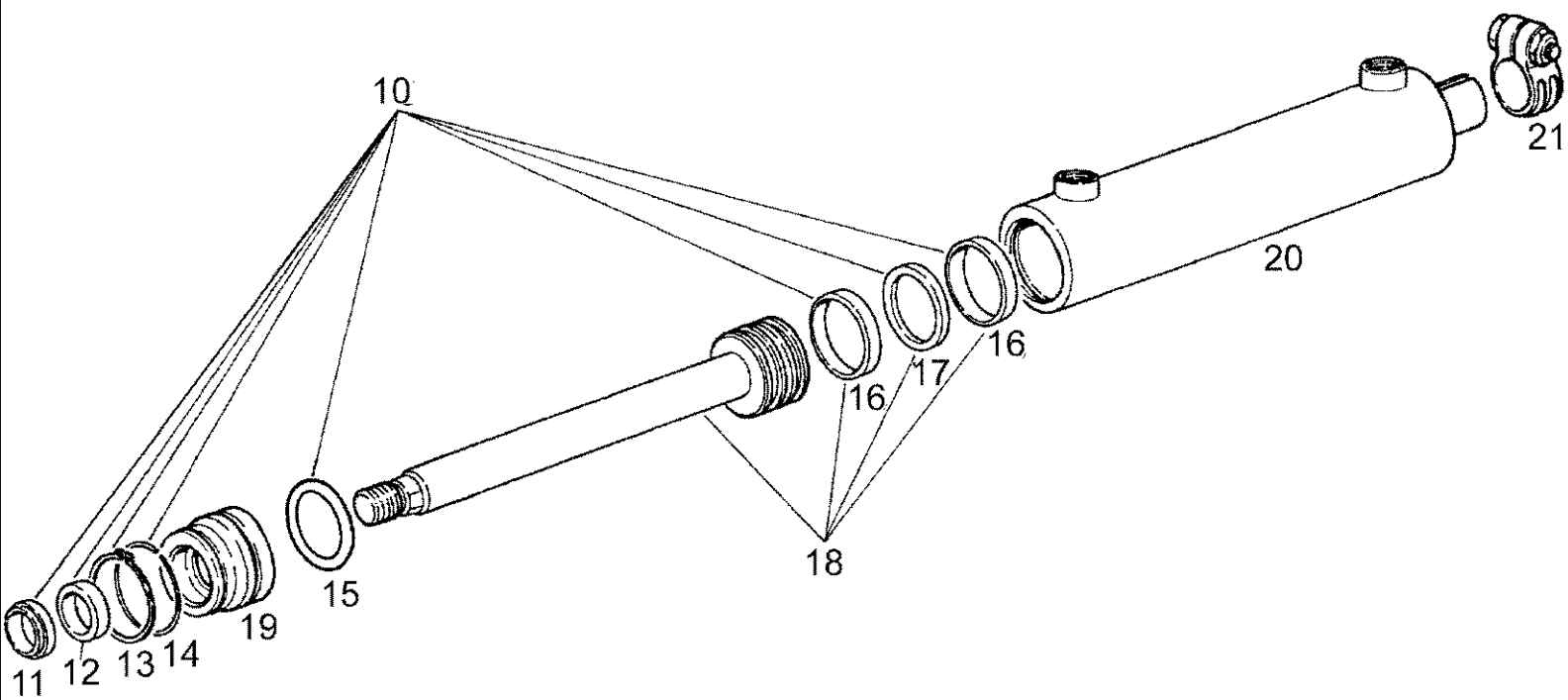
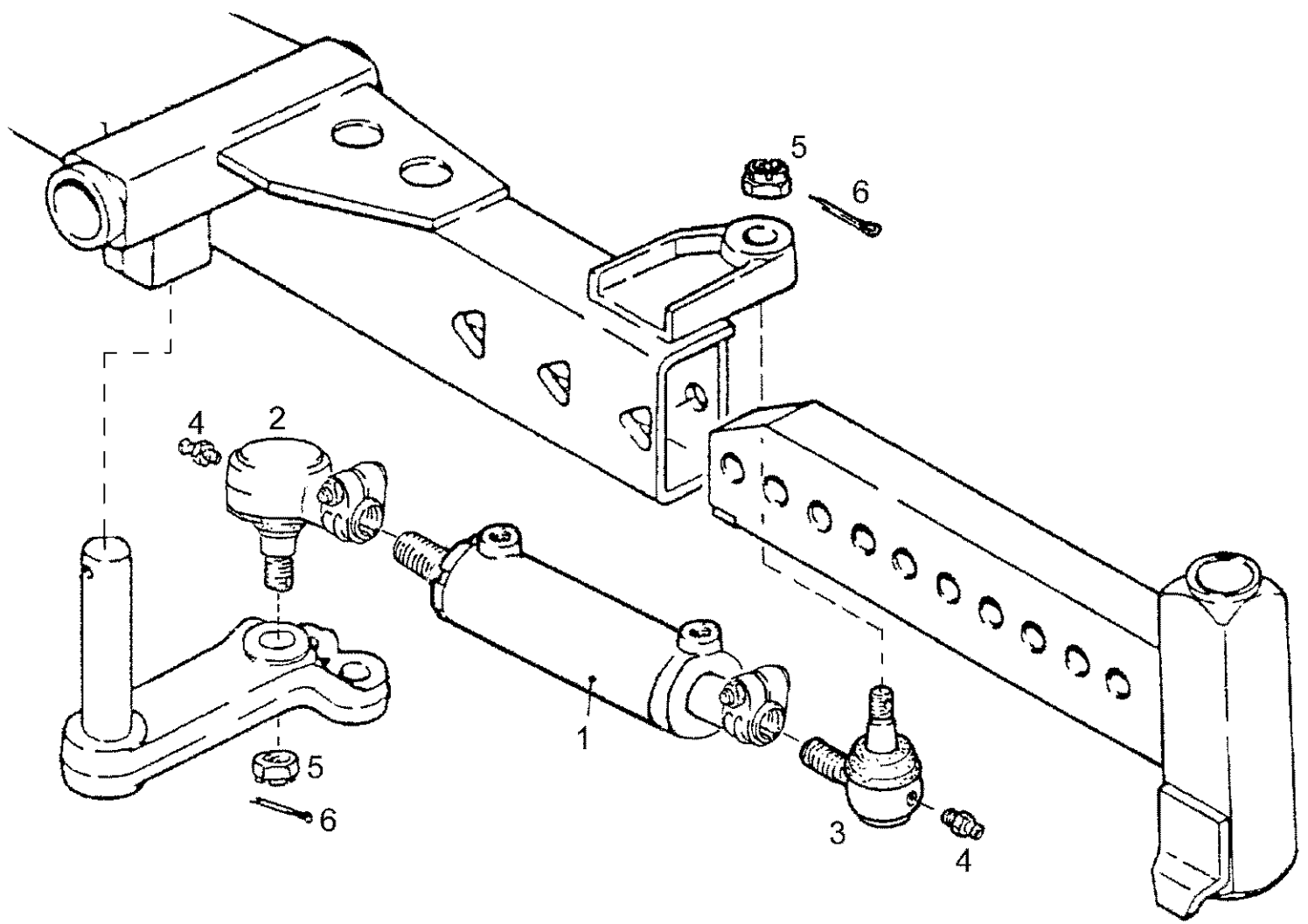
Ref	Onderdeelnummer	Kwt	Beschrijving
1	137700470144	1	KOPPELING, , Einschließlich/Includes/Avec/Inklusive/Compreso 2, 3
2	190003963112	1	SMEERNIPPEL, , AM8x1
3	190003802544	1	SCHROEF, , M10x30-10.9
4	133700470103	4	DICHTINGSSTUK,
5	133700410222	2	WASHER, THRUST,
6	190003872369	1	MOER, , M24x1,5
7	190003920431	1	SPLITPEN, , 5x40
8	190003903781	1	PIN, LARGE, , 25h11x70x62
9	190003930341	1	SLUITRING, , A25
10	190003920527	1	SPLITPEN, , 6,3x40
11	133700470276	1	SERVOSTUURCYLINDER, , Besteht aus/Consists of/Compose de/Bestående af/È composto da 12 - 23
12	NSS	-	NIET ALLEEN VERKRIJGBAAR,
13	135700471017	1	STAAK, , Einschließlich/Includes/Avec/Inklusive/Compreso 14, 15
14	NSS	-	NIET ALLEEN VERKRIJGBAAR,
15	NSS	-	NIET ALLEEN VERKRIJGBAAR,
16	133700470766	1	KIT, GASKET, , Besteht aus/Consists of/Compose de/Bestående af/È composto da 14, 15, 17 - 21
17	NSS	-	NIET ALLEEN VERKRIJGBAAR,
18	NSS	-	NIET ALLEEN VERKRIJGBAAR,
19	NSS	-	NIET ALLEEN VERKRIJGBAAR,
20	NSS	-	NIET ALLEEN VERKRIJGBAAR,
21	NSS	-	NIET ALLEEN VERKRIJGBAAR,
22	NSS	-	NIET ALLEEN VERKRIJGBAAR,
23	133700470767	1	LAGER,
24	REF	-	INSTRUCTION, , Siehe Seite(n) vorne/See Page(s) before/Voir Page(s) avant/Se side (r ) forrest/Vedere pagin(a/e) precedent(e/i)



## 05-08(01) ADJUSTABLE FRONT AXLE / 2 WD

Ref	Onderdeelnummer	Kwt	Beschrijving
19	133700410259	1	VERBINDINGSSTUK, MIDDEN, , Einschließlich/Includes/Avec/Inklusive/Compreso 20, 21
20	133700410213	2	LAGERBUS,
21	1192410138	2	LAGERBUS,
22	133700410308	1	LAGERTAP, , Einschließlich/Includes/Avec/Inklusive/Compreso 42
23	133700410309	1	LAGERTAP, , Einschließlich/Includes/Avec/Inklusive/Compreso 42
24	133700410294	1	STUURGEWRIGHT (COMPLEET),
25	133700410292	1	STUURGEWRIGHT (COMPLEET),
26	1295410020	1	HEFBOOM,
27	133700410323	1	HOUDER,
28	182220018	X	SLUITRING, , 0,1mm
28	182220019	X	SLUITRING, , 0,3mm
28	182220020	X	SLUITRING, , 0,5mm
28	180220025	X	SLUITRING, , 1,5mm
29	190003909672	1	SPANSTIFT, , 10x45
30	190003909644	1	SPANSTIFT, , 6x45
31	190003803960	4	SCHROEF, , M18x1,5x70-10.9
32	100092	4	MOER, M18 x 1.5, Cl 8, , M18x1,5-10
33	1390410058	2	TAPEIND,
34	190003888459	2	MOER, , VM16x1,5- 8
35	190003871341	2	MOER, , M16x1,5-10
36	190003932018	2	WASHER, SPRING, , B16
37	190003932622	2	SCHIJF, , R17,5
38	133700410165	2	SLUITRING,
39	11800410049	2	RING, PACKING, , 50x6
40	190003909731	2	SPANSTIFT, , 4x10
41	133700410166	X	SLUITRING, , 0,125mm
41	133700410167	X	SLUITRING, , 0,5mm
41	133700410168	X	SLUITRING, , 0,7mm
42	133700410213	4	LAGERBUS,
43	1288410166	2	RING, PACKING, , 57,2x5,7
44	1295410060	2	SCHIJF,
45	1288410146	2	SHEET,
46	1288410147	2	DRAAGFLENS VOOR AFDICHTIN,
47	1288410145	2	RACE,
48	1295410007	2	NAAF,
49	190003326020	2	LAGER, KOGEL,
50	190003326218	2	LAGER, KOGEL,
51	1190410031	2	SCHIJF,
52	1295410093	2	MOER,
53	11800410069	2	DICHTINGSRING,
54	1190410030	2	DEKSEL,

Ref	Onderdeelnummer	Kwt	Beschrijving
55	190003802503	6	SCHROEF, , M10x12-8.8
56	190003860004	10	SCHROEF, , G14x24-8.8
60	190003963112	8	SMEERNIPPEL, , AM8x1
61	190003963114	2	SMEERNIPPEL, , BM8x1
62	190003963115	1	SMEERNIPPEL, , CM8x1
63	REF	-	INSTRUCTION, , Siehe nächste Seite(n)/See next page(s)/Voir page(s) suivante(s)/Se næste side (r )/Vedere pagin(a/e) seguent(e/i)
64	REF	-	INSTRUCTION, , Siehe nächste Seite(n)/See next page(s)/Voir page(s) suivante(s)/Se næste side (r )/Vedere pagin(a/e) seguent(e/i)
65	REF	-	INSTRUCTION, , Siehe nächste Seite(n)/See next page(s)/Voir page(s) suivante(s)/Se næste side (r )/Vedere pagin(a/e) seguent(e/i)

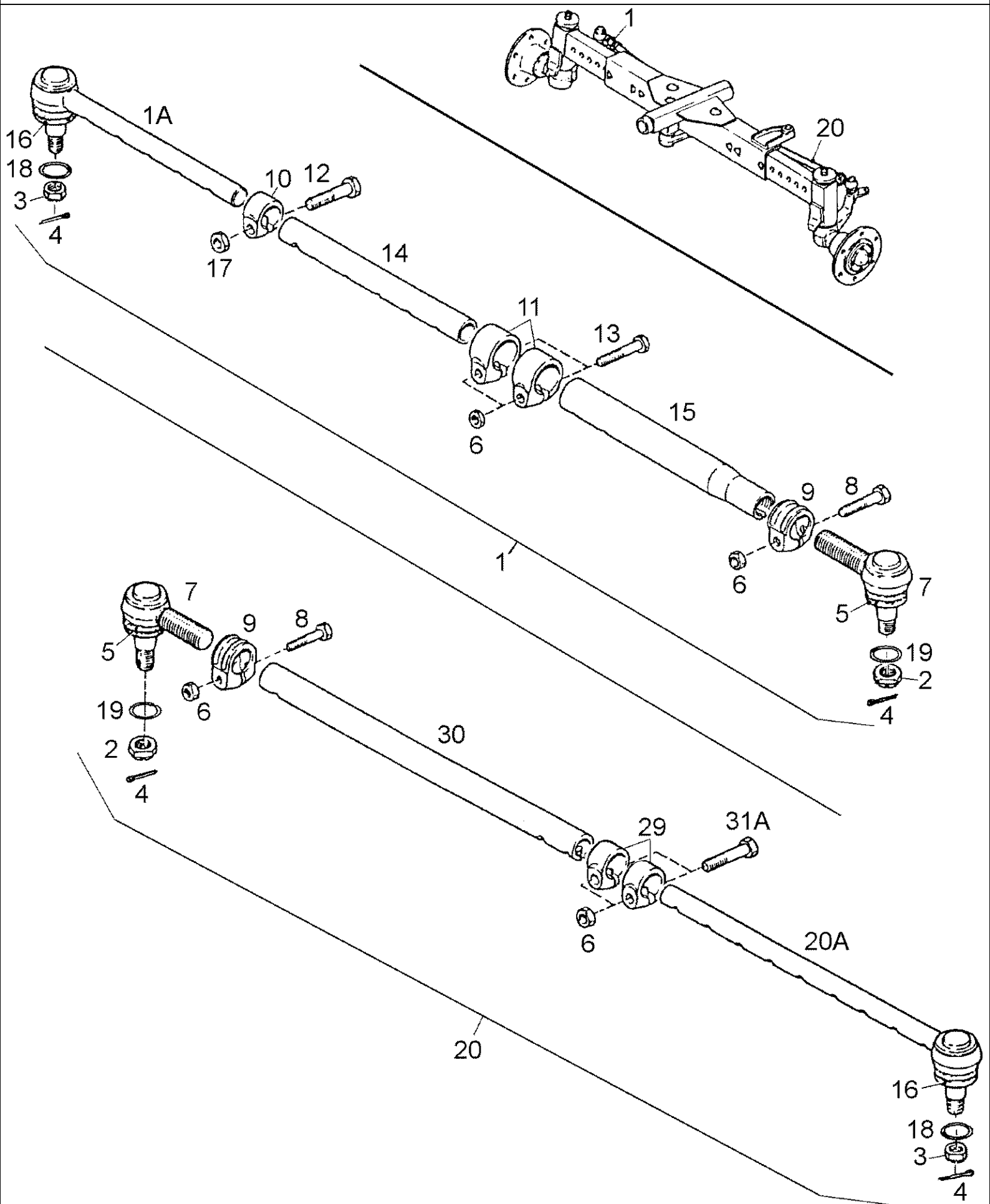


## 05-09(01) STEERING CYLINDER FOR ADJUSTABLE FRONT AXLE

Ref	Onderdeelnummer	Kwt	Beschrijving
1	135700470047	1	SERVOSTUURCYLINDER, , Besteht aus/Consists of/Compose de/Bestående af/È composto da 11 - 21
2	1397470179	1	KOGELWRIGHT, , Einschließlich/Includes/Avec/Inklusive/Compreso 4 - 6
3	1397470175	1	KOGELWRIGHT, , Einschließlich/Includes/Avec/Inklusive/Compreso 4 - 6
4	190003963112	2	SMEERNIPPEL, , AM8x1
5	190003872369	2	MOER, , M24x1,5
6	190003920431	2	SPLITPEN, , 5x40
10	133700470766	1	KIT, GASKET, , Besteht aus/Consists of/Compose de/Bestående af/È composto da 11 - 17
11	NSS	-	NIET ALLEEN VERKRIJGBAAR,
12	NSS	-	NIET ALLEEN VERKRIJGBAAR,
13	NSS	-	NIET ALLEEN VERKRIJGBAAR,
14	NSS	-	NIET ALLEEN VERKRIJGBAAR,
15	NSS	-	NIET ALLEEN VERKRIJGBAAR,
16	NSS	-	NIET ALLEEN VERKRIJGBAAR,
17	NSS	-	NIET ALLEEN VERKRIJGBAAR,
18	135700471016	1	STAAK, , Einschließlich/Includes/Avec/Inklusive/Compreso 16, 17
19	NSS	-	NIET ALLEEN VERKRIJGBAAR,
20	NSS	-	NIET ALLEEN VERKRIJGBAAR,
21	133700470768	1	KLEM,

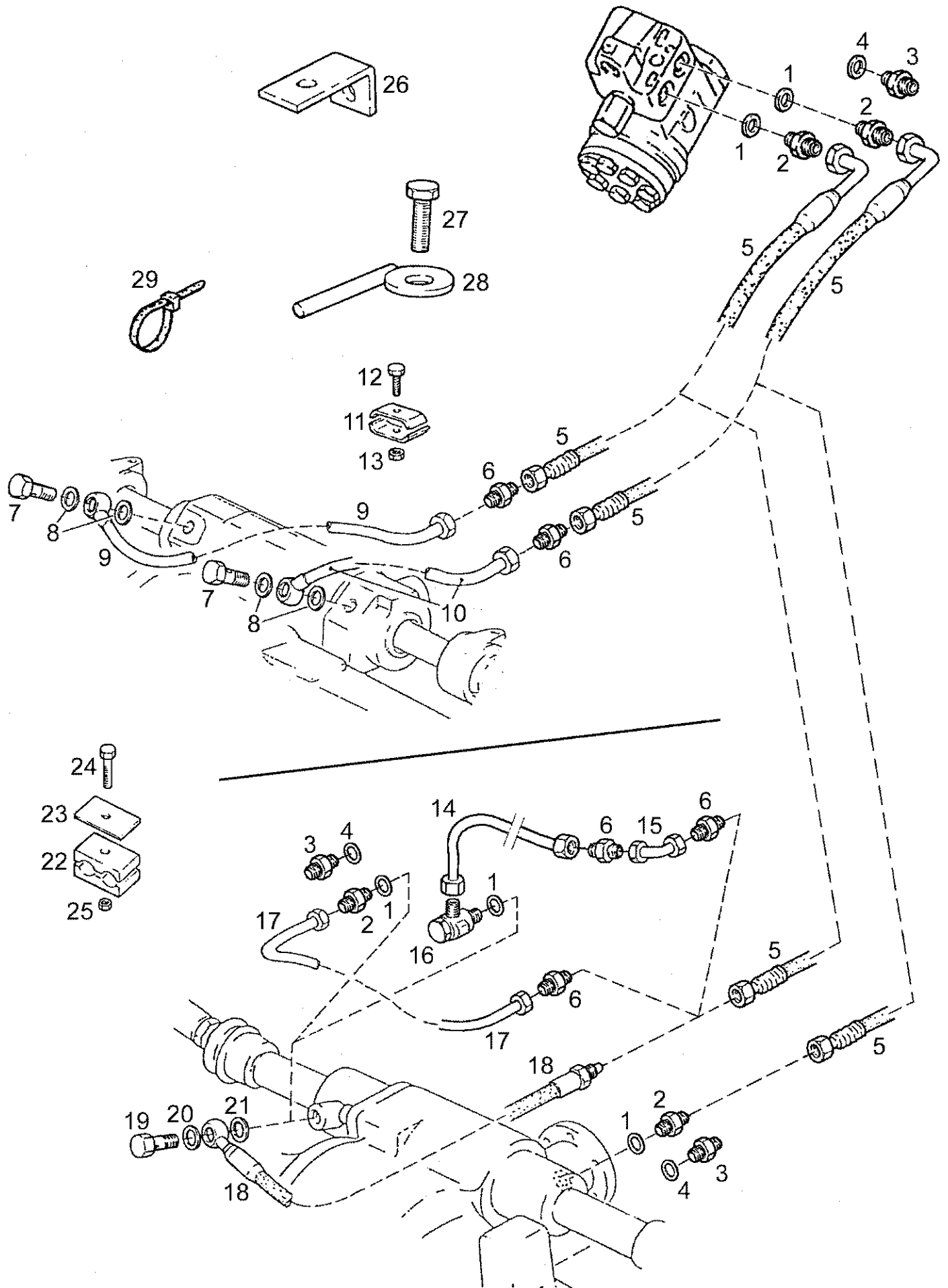


05-10(01) STEERING TIE ROD FOR ADJUSTABLE FRONT AXLE



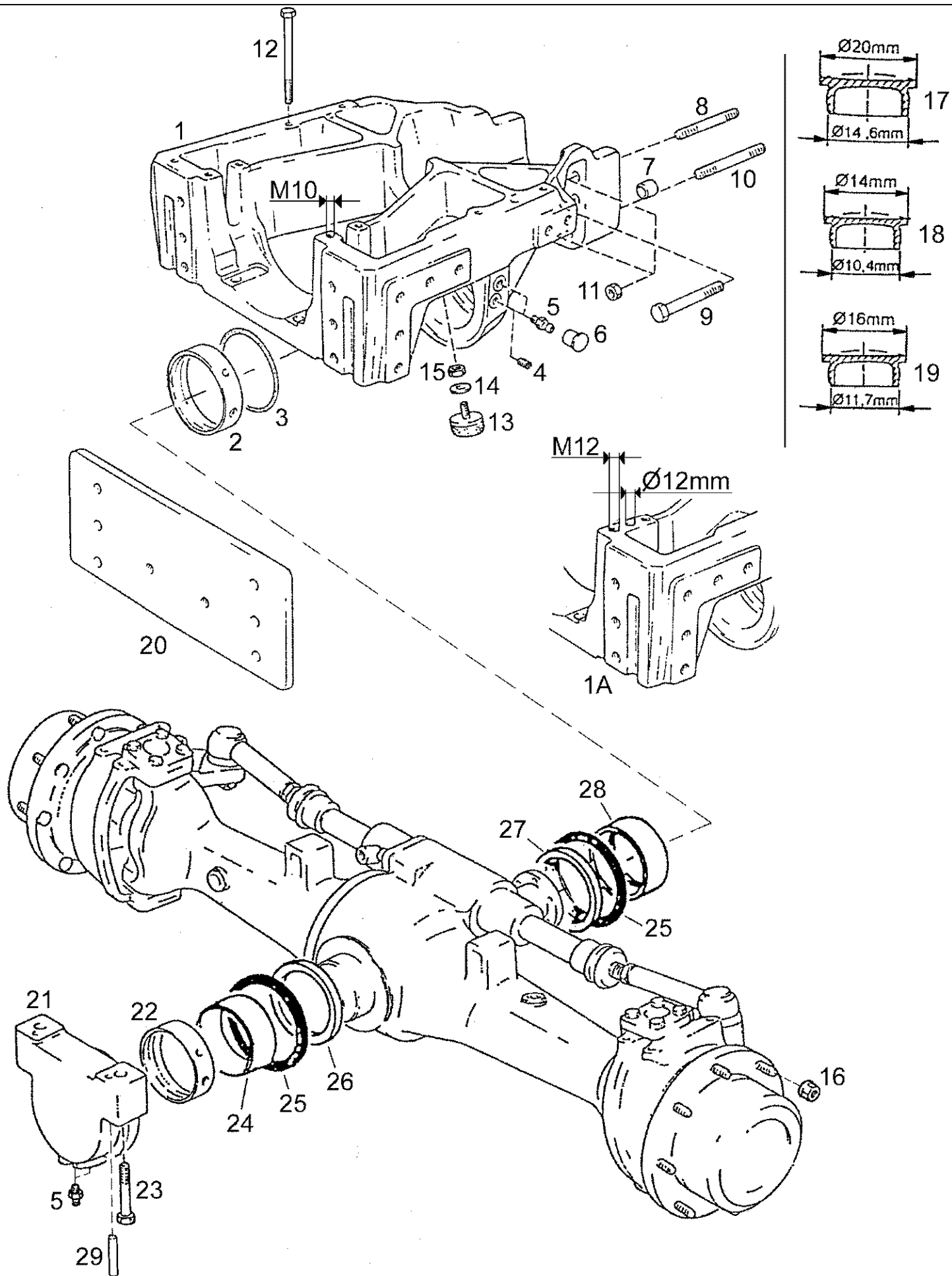
## 05-10(01) STEERING TIE ROD FOR ADJUSTABLE FRONT AXLE

Ref	Onderdeelnummer	Kwt	Beschrijving
1	133700430090	1	TREKSTANG, , Besteht aus/Consists of/Compose de/Bestående af/È composto da 1A - 19
1A	133700430736	1	KOPPELING, , Einschließlich/Includes/Avec/Inklusive/Compreso 3, 4, 16, 18
2	190003872351	1	MOER, , M18x1,5
3	190003872345	1	MOER, , M16x1,5
4	190003920347	2	SPLITPEN, , 4x32
5	133700430728	1	BLAASBALG,
6	190003888615	3	MOER, , VM10x1
7	133700430727	1	KOGELWRIGHT, , Einschließlich/Includes/Avec/Inklusive/Compreso 2, 4, 5, 19
8	190003803540	1	SCHROEF, , M10x1x45-10.9
9	133700430729	1	KLEM,
10	133700430732	1	KLEM,
11	133700430730	2	KLEM,
12	190003803646	1	SCHROEF, , M12x1,5x50
13	190003803550	2	SCHROEF, , M10x1x55
14	133700430735	1	OPVULPIJP,
15	133700430734	1	OPVULPIJP,
16	133700430738	1	BLAASBALG,
17	190003888457	1	MOER, , VM12x1,5
18	133700430739	1	RING,
19	133700430740	1	RING,
20	133700430089	1	TREKSTANG, , Besteht aus/Consists of/Compose de/Bestående af/È composto da 2 - 9, 16, 18, 19, 20A, 29, 30, 31A
20A	133700430737	1	KOPPELING, , Einschließlich/Includes/Avec/Inklusive/Compreso 3, 4, 16, 18
29	133700430731	2	KLEM,
30	133700430733	1	OPVULPIJP,
31A	190003803541	2	SCHROEF, , M10x1x50-10.9

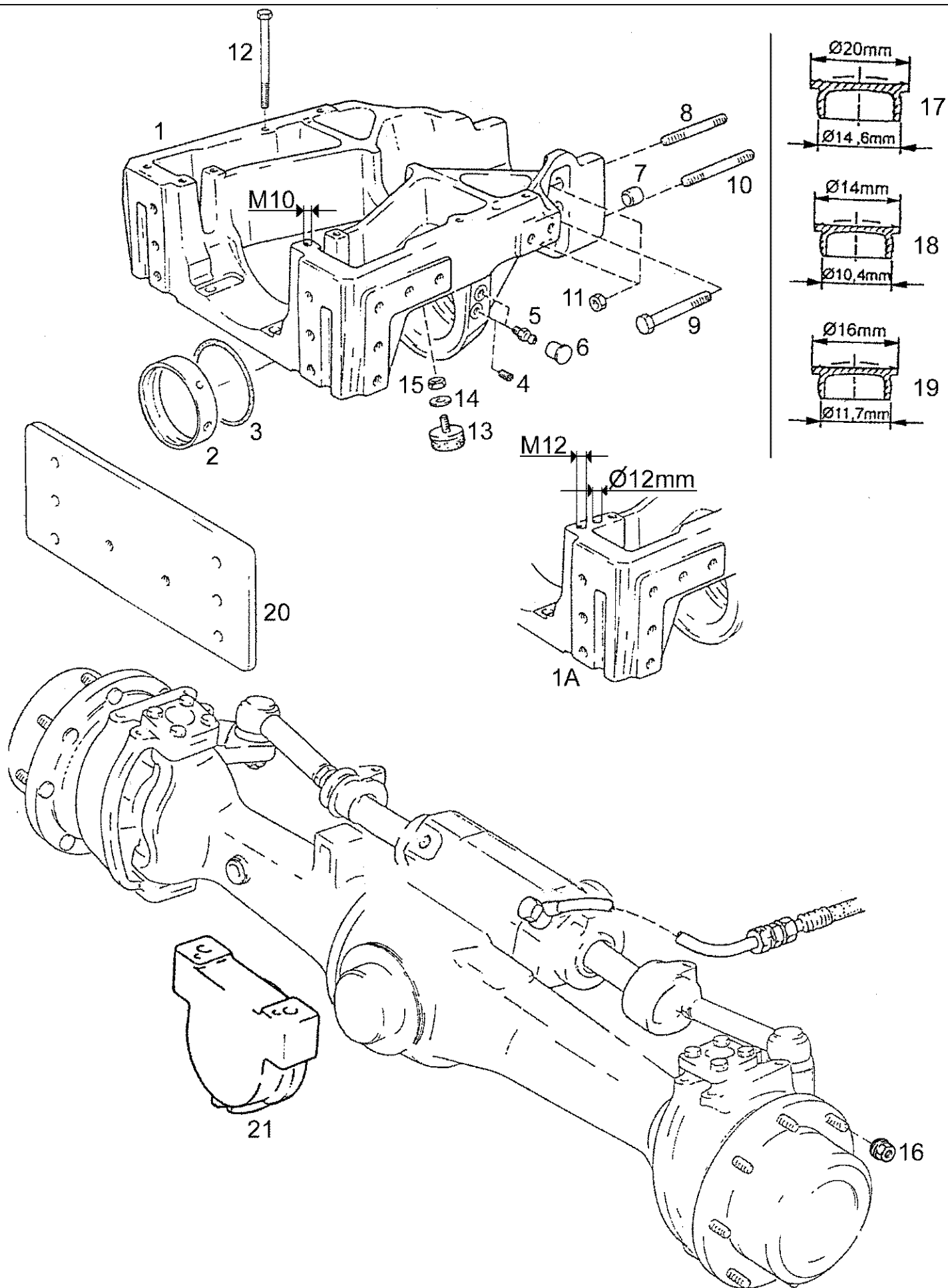


## 05-11(01) STEERING PIPES / 4 WD

Ref	Onderdeelnummer	Kwt	Beschrijving
1	190003098021	X	DICHTINGSRING, , A18x24-CU
2	1-33-147-054	X	FITTING,
3	1-33-147-207	X	VERBINDING, , Einschließlich/Includes/Avec/Inklusive/Compreso 4 - Ersetzt/Replaces/Remplace/Udskiftet/Sostituisce 1, 2
4	NSS	-	NIET ALLEEN VERKRIJGBAAR,
5	1-33-147-119	2	HOSE ASSY.,
6	190003559465	X	VERBINDING, , L12
7	190003962632	2	VIJZELSCHROEF, , 15-3
8	190003098021	2	DICHTINGSRING, , A18x24-CU
9	1-33-147-123	1	LEIDING,
10	1-33-147-122	1	LEIDING,
11	193760081	2	LEIDINGKLEM,
12	190003802336	1	SCHROEF, , M6x25-8.8
13	190003888608	1	MOER, , VM6-8
14	1-33-147-142	1	DRUKLEIDING,
15	1-35-143-013	1	FITTING,
16	199100470110	1	SCHROEF,
17	1-33-147-156	1	LEIDING,
18	1-33-147-129	1	FLEXIBELE BUIS,
19	190003962633	1	VIJZELSCHROEF, , 15-S
20	190003098021	1	DICHTINGSRING, , A18x24-CU
21	133700470139	1	O-RING,
22	1-33-147-033	1	KLEM,
23	1-33-147-034	1	DEKSEL,
24	190003802451	1	SCHROEF, Hex, M8 x 50, 8.8, , M8x50-8.8
25	43362	1	MOER, M8, CI 10,
26	1-33-147-098	1	HOEKSTUK,
27	43151	1	BOUT, Hex, M12 x 20, 8.8, Full Thd, , M12x20-8.8
28	1-33-147-131	2	
29	190003170283	1	BUISKLEM, , A8x280 / K04



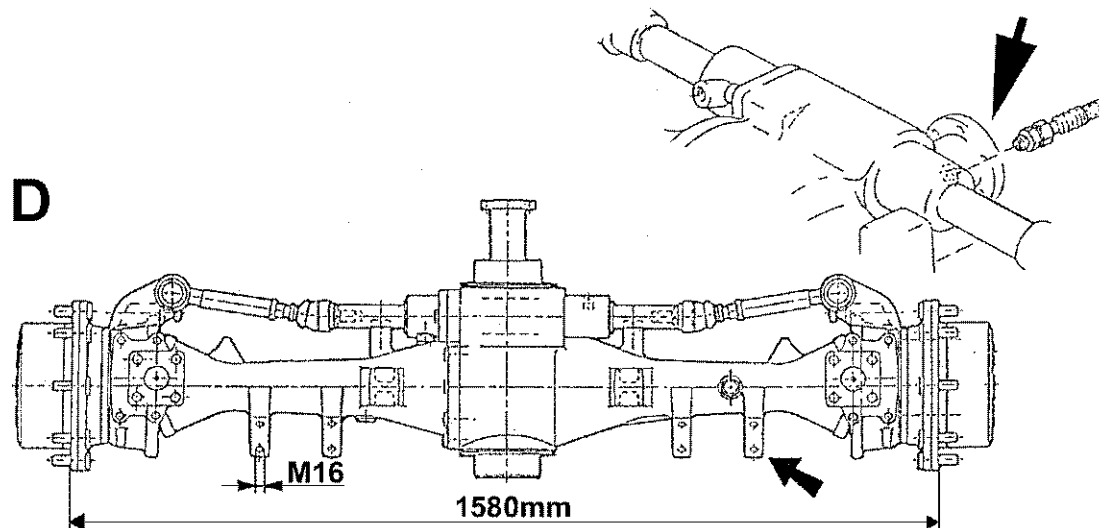
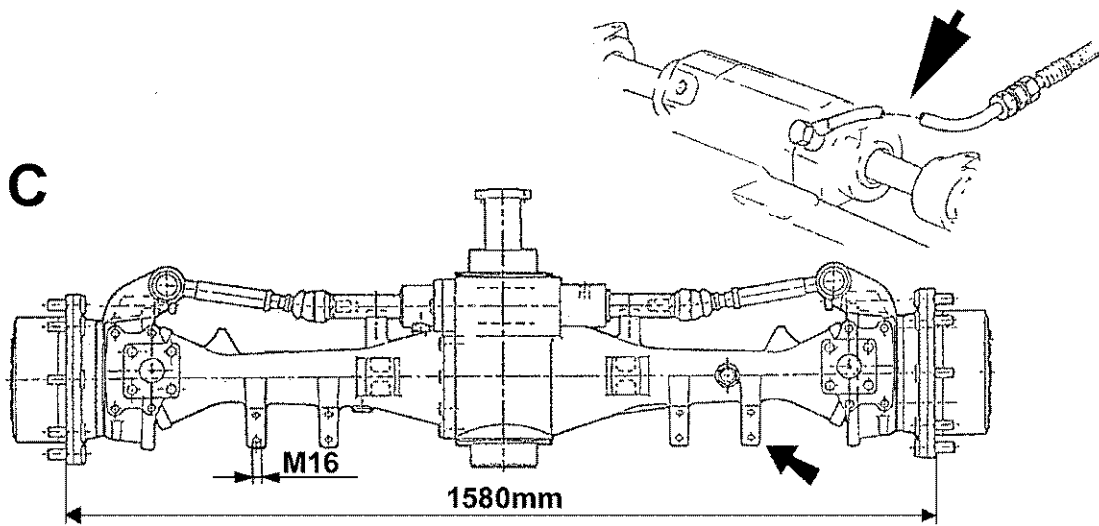
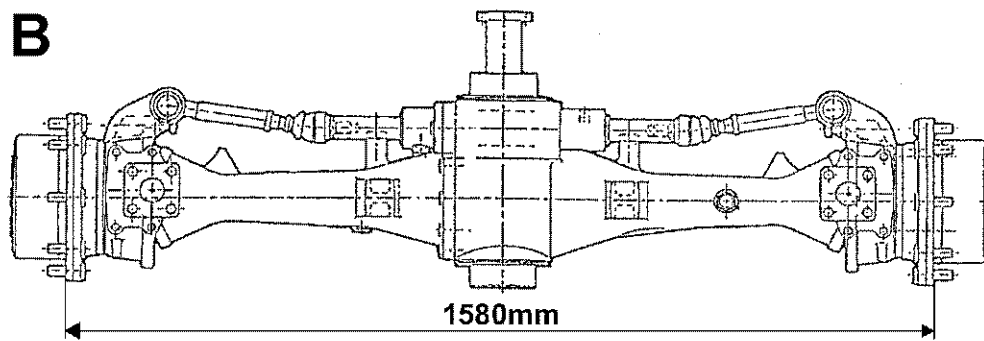
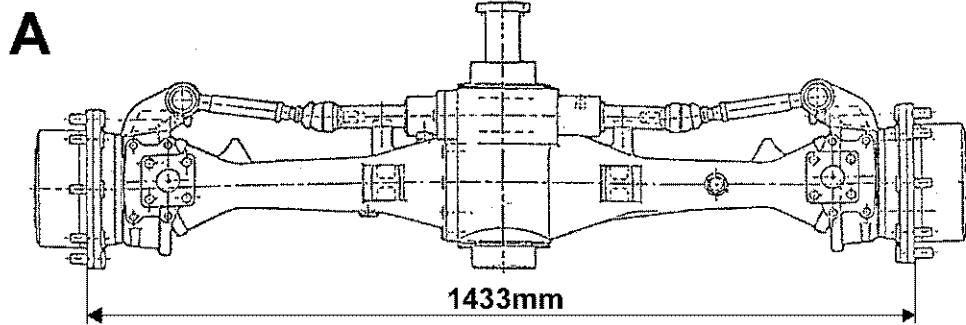
Ref	Onderdeelnummer	Kwt	Beschrijving
1	1-33-241-120	1	CARRIER, AXLE, , ---->01918
1A	1-33-241-230	1	CARRIER, AXLE, , Ersetzt/Replaces/Remplace/Udskiftet/Sostituisce 1-33-241-120
2	1-33-141-040	1	LAGERBUS,
3	1-33-141-026	1	O-RING, , Ø122x130
4	190003962007	1	SCHROEF, , M8x1
5	190003963112	3	SMEERNIPPEL, , AM8x1
6	199000520096	1	FAIRING, LIGHT,
7	1-33-141-016	2	LAGER,KOPPELING DRUKPLAA,
8	190003810087	2	TAPEIND, , M18x130-10.9
9	190003800353	2	SCHROEF, , M18x140-10.9
10	190003810099	2	TAPEIND, , M18x140-10.9
11	190003870031	4	MOER, , M18-10
12	190003800180	2	SCHROEF, , M12x150-8.8
13	1-33-141-011	2	MOER,
14	190003936107	2	SLUITRING, , 10,5
15	190003888452	2	MOER, , VM10-8
16	190003884236	16	MOER, , A18-8
17	190003171679	14	PLUG, , A14,6x9,5
18	190003171877	8	PLUG, , A10,4x5,5
19	190003179427	2	PLUG, , A11,7x7
20	REF	-	INSTRUCTION, , Siehe Kapitel 09C/See Chapter 09C/Voir Chapitre 09C/Se kapitel 09C/Vedere capitolo 09C
21	1-33-241-022	1	STEUN,
22	1-33-141-045	1	LAGERBUS,
23	190003800018	2	SCHROEF, , M16x95-10.9
24	1-33-141-023	1	BUSHING, LARGE,
25	1-33-141-018	2	SEGMENTRING,
26	1-33-141-022	1	AFSTANDSRING,
27	1-33-141-021	1	RING,
28	1-33-141-024	1	LAGERBUS,
29	1-33-141-017	2	PEN,



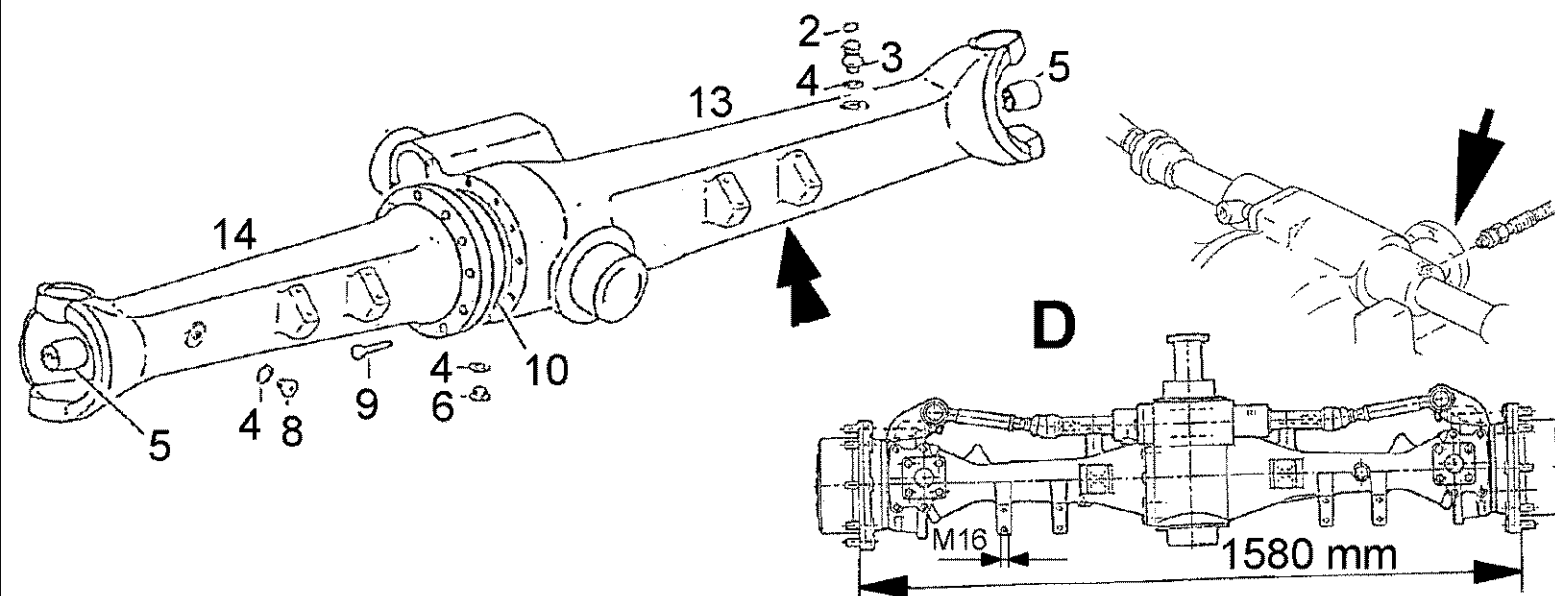
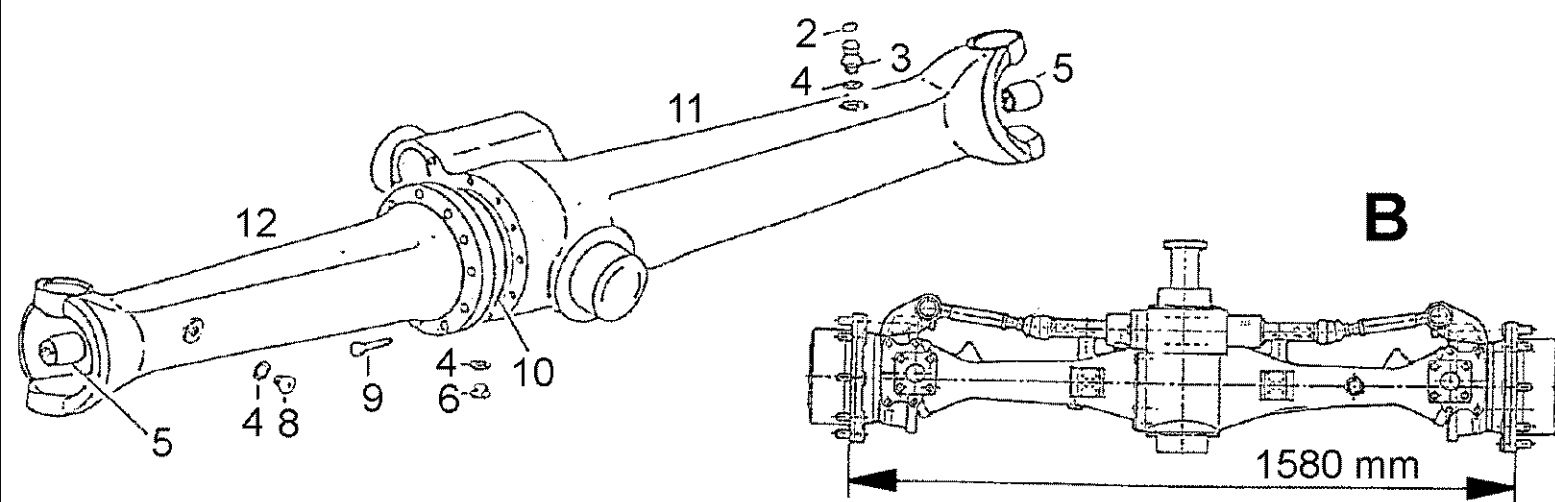
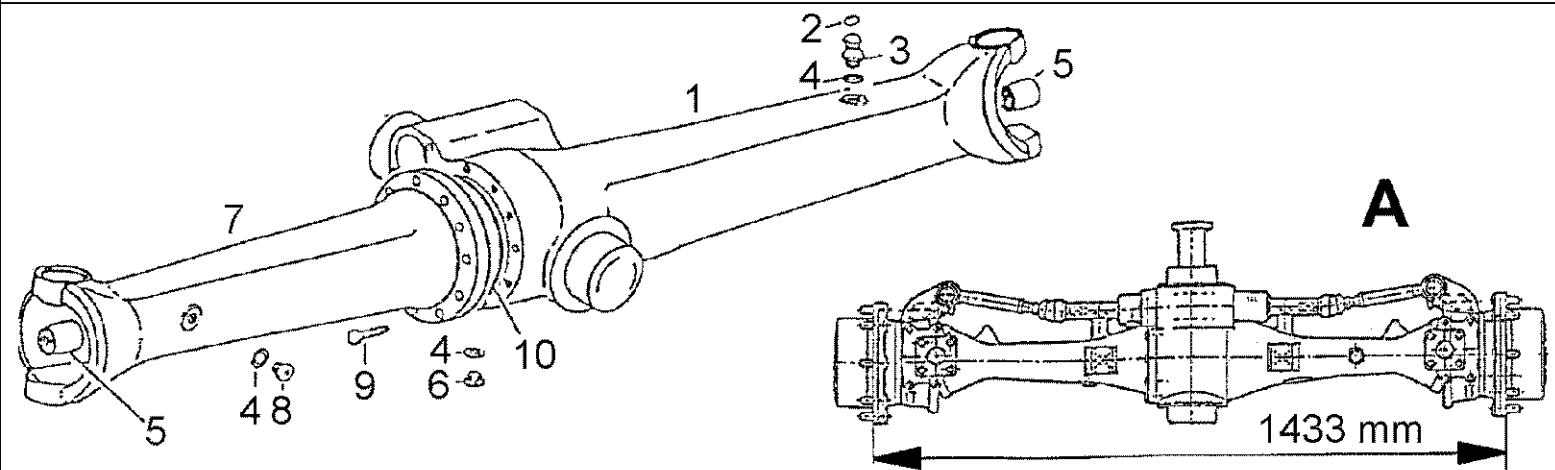
## 05-13(01) FRONT AXLE SUPPORT / WHEEL NUTS FOR AXLE "C"

Ref	Onderdeelnummer	Kwt	Beschrijving
1	1-33-241-120	1	CARRIER, AXLE, , ---->01918
1A	1-33-241-230	1	CARRIER, AXLE, , Ersetzt/Replaces/Remplace/Udskiftet/Sostituisce 1-33-241-120
2	1-33-141-040	1	LAGERBUS,
3	1-33-141-026	1	O-RING, , Ø122x130
4	190003962007	1	SCHROEF, , M8x1
5	190003963112	1	SMEERNIPPEL, , AM8x1
6	199000520096	1	FAIRING, LIGHT,
7	1-33-141-016	2	LAGER,KOPPELING DRUKPLAA,
8	190003810087	2	TAPEIND, , M18x130-10.9
9	190003800353	2	SCHROEF, , M18x140-10.9
10	190003810099	2	TAPEIND, , M18x140-10.9
11	190003870031	4	MOER, , M18-10
12	190003800180	2	SCHROEF, , M12x150-8.8
13	1-33-141-011	2	MOER,
14	190003936107	2	SLUITRING, , 10,5
15	190003888452	2	MOER, , VM10-8
16	190003884236	16	MOER, , A18-8
17	190003171679	14	PLUG, , A14,6x9,5
18	190003171877	4	PLUG, , A10,4x5,5
19	190003179427	2	PLUG, , A11,7x7
20	REF	-	INSTRUCTION, , Siehe Kapitel 09C/See Chapter 09C/Voir Chapitre 09C/Se kapitel 09C/Vedere capitolo 09C
21	REF	-	INSTRUCTION, , Siehe Vorderachsgehäuse/See front axle housing/Voir carter de pont avant/Se forakselhus/Vedere scatola del ponte assale anteriore



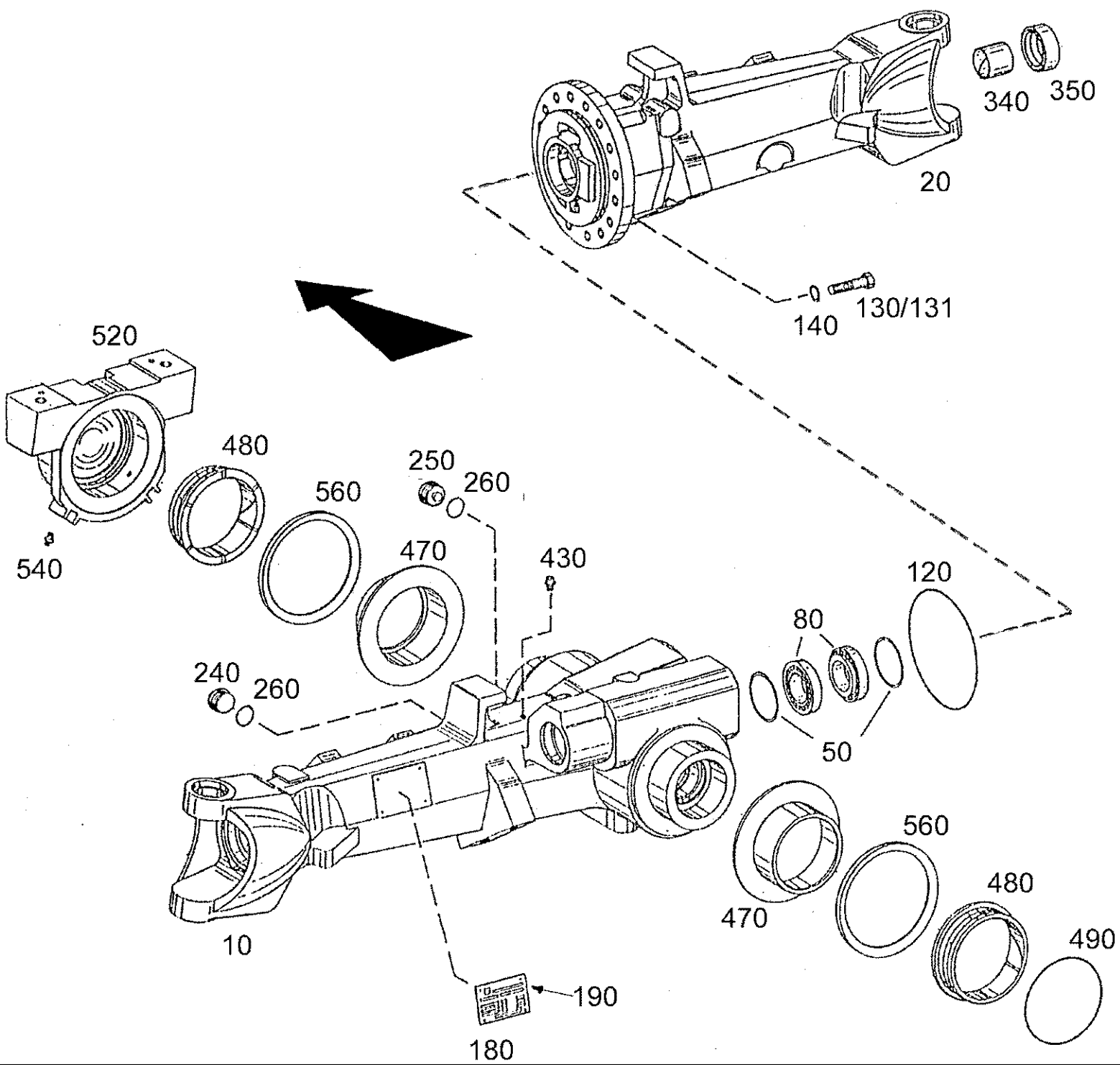
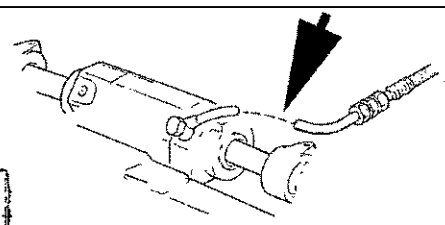
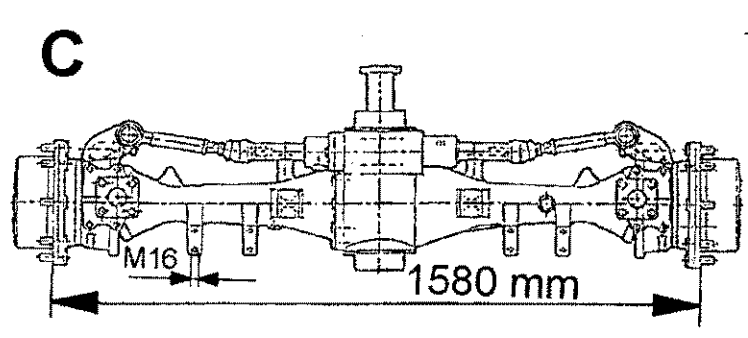


Ref	Onderdeelnummer	Kwt	Beschrijving
A	1-33-341-009	1	4WD-AS (COMPLEET), , B 214 LS, Siehe nächste Seite(n)/See next page(s)/Voir page(s) suivante(s)/Se næste side (r )/Vedere pagin(a/e) seguent(e/i)
B	1-33-341-011	1	4WD-AS (COMPLEET), , B 216 LS, Siehe nächste Seite(n)/See next page(s)/Voir page(s) suivante(s)/Se næste side (r )/Vedere pagin(a/e) seguent(e/i)
C	1-33-341-061	1	VOORAS, , B 116 LSA - Alpin / ---->02509; Siehe nächste Seite(n)/See next page(s)/Voir page(s) suivante(s)/Se næste side (r )/Vedere pagin(a/e) seguent(e/i)
D	1-33-341-062	1	4WD-AS (COMPLEET), , B 216 LSA - Alpin / 02510 ---->; Siehe nächste Seite(n)/See next page(s)/Voir page(s) suivante(s)/Se næste side (r )/Vedere pagin(a/e) seguent(e/i)
	1-33-341-015	1	NO DESCRIPTION, , B 216 LS-REIS - Für/For/Pour/Til/Per M975)



## 05-15(01) FRONT AXLE HOUSING FOR AXLES "A,B,D"

Ref	Onderdeelnummer	Kwt	Beschrijving
A	1-33-341-009	1	4WD-AS (COMPLEET), , Siehe Seite(n) vorne/See Page(s) before/Voir Page/s) avant/Se side (r ) forrest/Vedere pagin(a/e) precedent(e/i)
B	1-33-341-011	1	4WD-AS (COMPLEET), , Siehe Seite(n) vorne/See Page(s) before/Voir Page/s) avant/Se side (r ) forrest/Vedere pagin(a/e) precedent(e/i)
D	1-33-341-062	1	4WD-AS (COMPLEET), , Siehe Seite(n) vorne/See Page(s) before/Voir Page/s) avant/Se side (r ) forrest/Vedere pagin(a/e) precedent(e/i)
1	1-33-741-002	1	SHAFT HOUSING, , Einschließlich/Includes/Avec/Inklusive/Compreso 2 - 6
2	137700410706	1	O-RING,
3	135700411003	1	SCHROEF, ONTLUCHTING,
4	190003098033	3	DICHTINGSRING, , A26x34-CU
5	135700411004	2	BUSHING, LARGE,
6	1397411027	1	SCHROEF,
7	1-33-741-003	1	SHAFT HOUSING, , Einschließlich/Includes/Avec/Inklusive/Compreso 4, 5, 8
8	1-33-741-004	1	SCHROEF,
9	190003800716	11	SCHROEF, , M14x40-10.9
10	137700411003	1	O-RING,
11	1-33-741-020	1	SHAFT HOUSING, , Einschließlich/Includes/Avec/Inklusive/Compreso 2 - 6
12	1-33-741-021	1	SHAFT HOUSING, , Einschließlich/Includes/Avec/Inklusive/Compreso 4, 5, 8
13	1-33-741-033	1	SHAFT HOUSING, , Einschließlich/Includes/Avec/Inklusive/Compreso 2 - 6
14	1-33-741-032	1	SHAFT HOUSING, , Einschließlich/Includes/Avec/Inklusive/Compreso 4, 5, 8

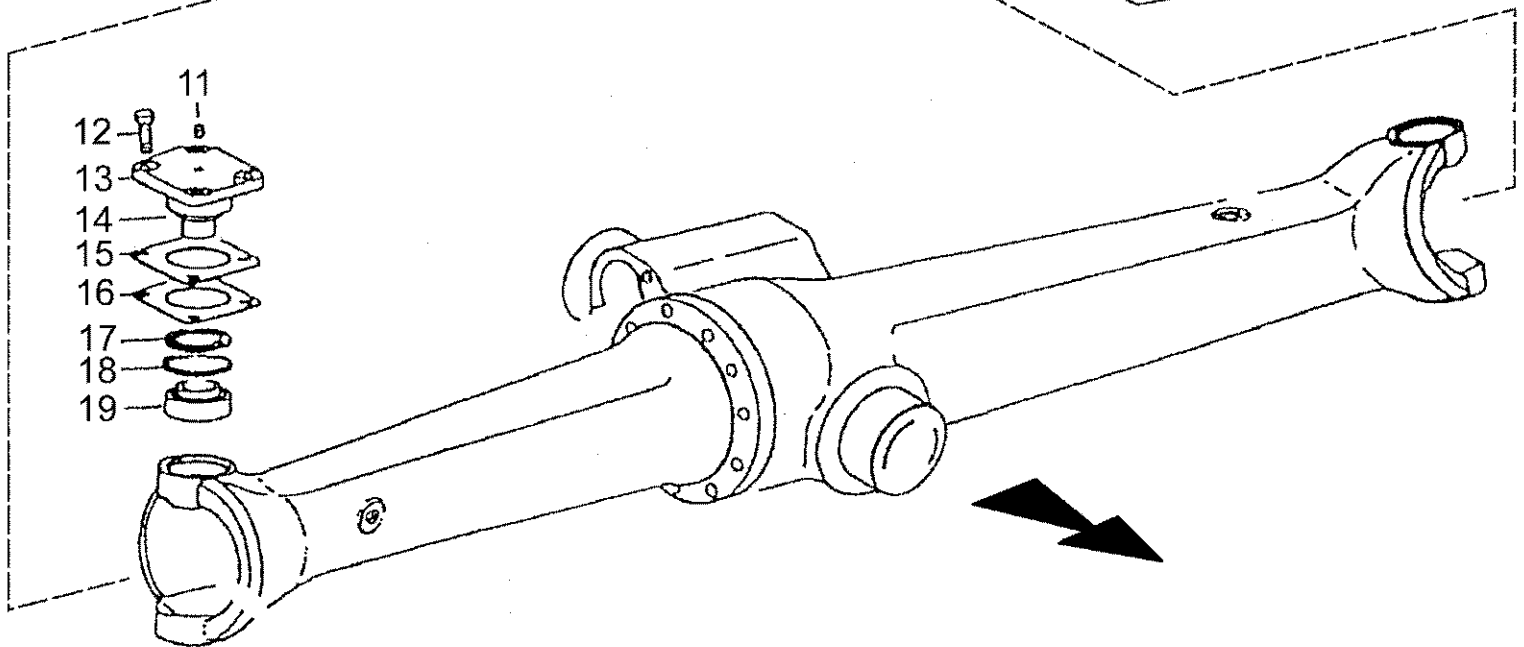
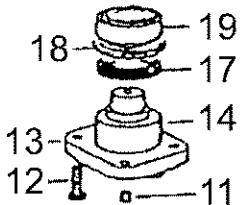
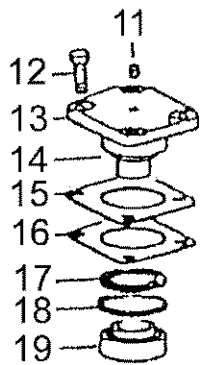
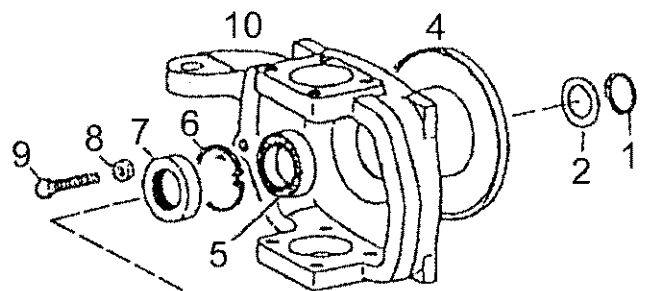
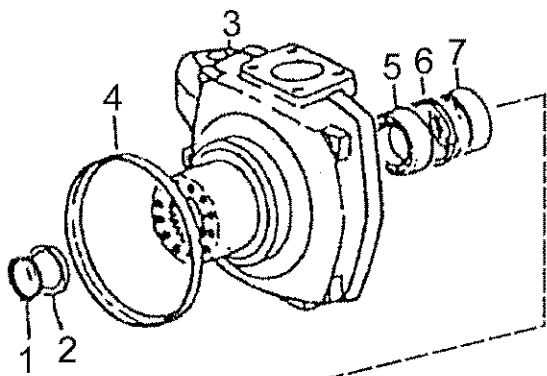
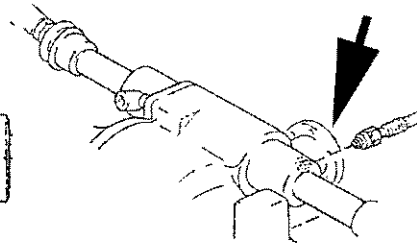
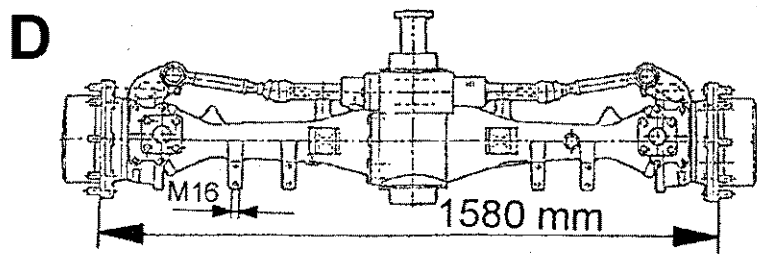
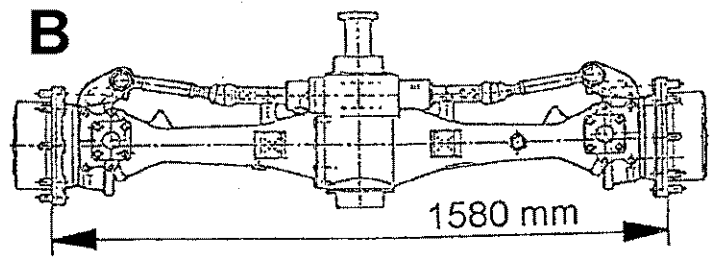
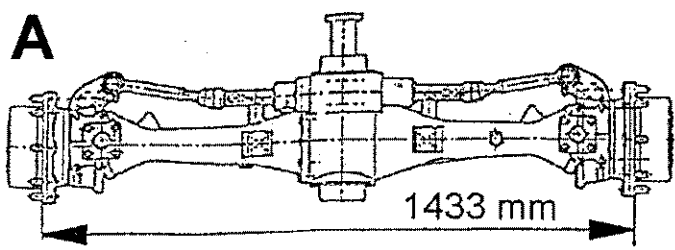


## 05-16(01) FRONT AXLE HOUSING FOR AXLE "C"

Ref	Onderdeelnummer	Kwt	Beschrijving
C	1-33-341-061	1	VOORAS, , Siehe Seite(n) vorne/See Page(s) before/Voir Page(s) avant/Se side (r ) forrest/Vedere pagin(a/e) precedent(e/i)
10	1-33-741-301	1	HOUSING, AXLE,
20	1-33-741-302	1	HOUSING, AXLE,
50	133700410717	2	SLUITRING, , 0,50mm
50	133700410817	2	SLUITRING, , 0,55mm
50	133700410705	2	SLUITRING, , 0,60mm
50	133700410816	2	SLUITRING, , 0,65mm
50	133700410706	2	SLUITRING, , 0,70mm
50	133700410718	2	SLUITRING, , 0,75mm
50	133700410707	2	SLUITRING, , 0,80mm
50	133700410719	2	SLUITRING, , 0,85mm
50	133700410708	2	SLUITRING, , 0,90mm
50	133700410720	2	SLUITRING, , 0,95mm
50	133700410709	2	SLUITRING, , 1,00mm
50	133700410721	2	SLUITRING, , 1,05mm
50	133700410710	2	SLUITRING, , 1,10mm
50	133700410722	2	SLUITRING, , 1,15mm
50	133700410711	2	DIKTEPLAAT, , 1,20mm
50	133700410723	2	SLUITRING, , 1,25mm
50	133700410712	2	SLUITRING, , 1,30mm
50	133700410724	2	SLUITRING, , 1,35mm
50	133700410713	2	SLUITRING, , 1,40mm
50	133700410714	2	SLUITRING, , 1,50mm
50	133700410715	2	SLUITRING, , 1,60mm
50	133700410716	2	SLUITRING, , 1,80mm
80	1-31-741-004	2	BUSHING, LARGE,
120	133700410725	1	O-RING, , 156x3
130	190003802737	12	SCHROEF, , M14x45-10.9
131	1-33-741-303	4	SCHROEF,
140	133700410726	16	SCHIJF,
180	139900411077	1	MODELIDENTIFIKATIEPLAATJ,
190	190003904532	4	PIN, HEADLESS, , 3x4
240	133700410752	1	SCHROEF, , M36x1,5
250	133700420798	1	SCHROEF,
260	133700410818	2	O-RING, , 33x2
340	1-33-741-305	2	LAGERBUS,
350	133700410820	2	DICHTINGSSTUK,
430	1390260702	1	ONTLUCHTER,
470	1-33-741-306	2	LAGERBUS,
480	1-33-741-307	2	LAGERBUS,

## 05-16(01) FRONT AXLE HOUSING FOR AXLE "C"

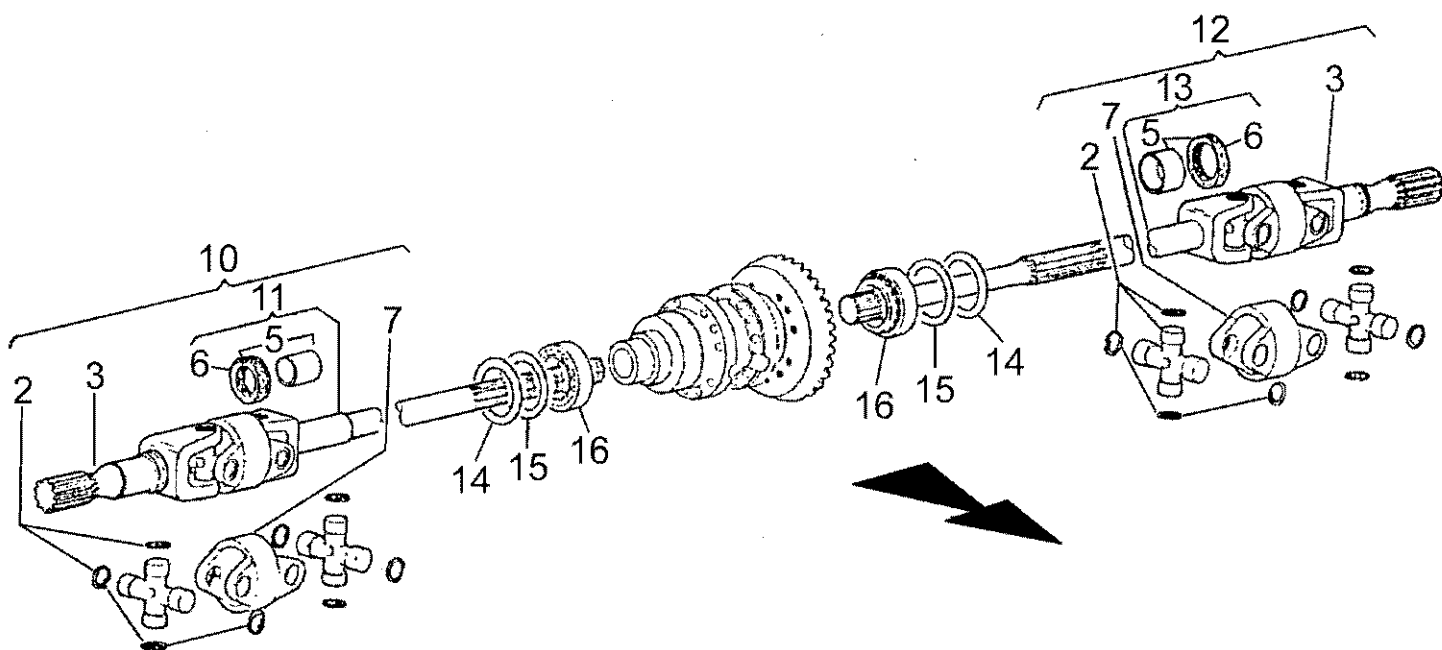
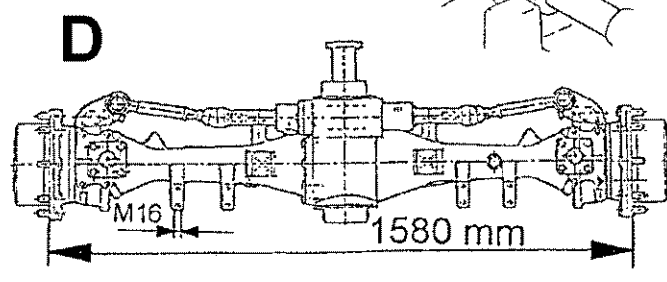
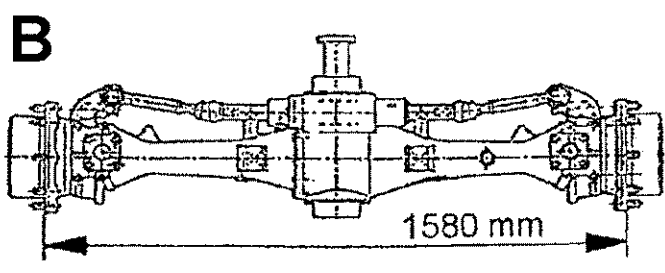
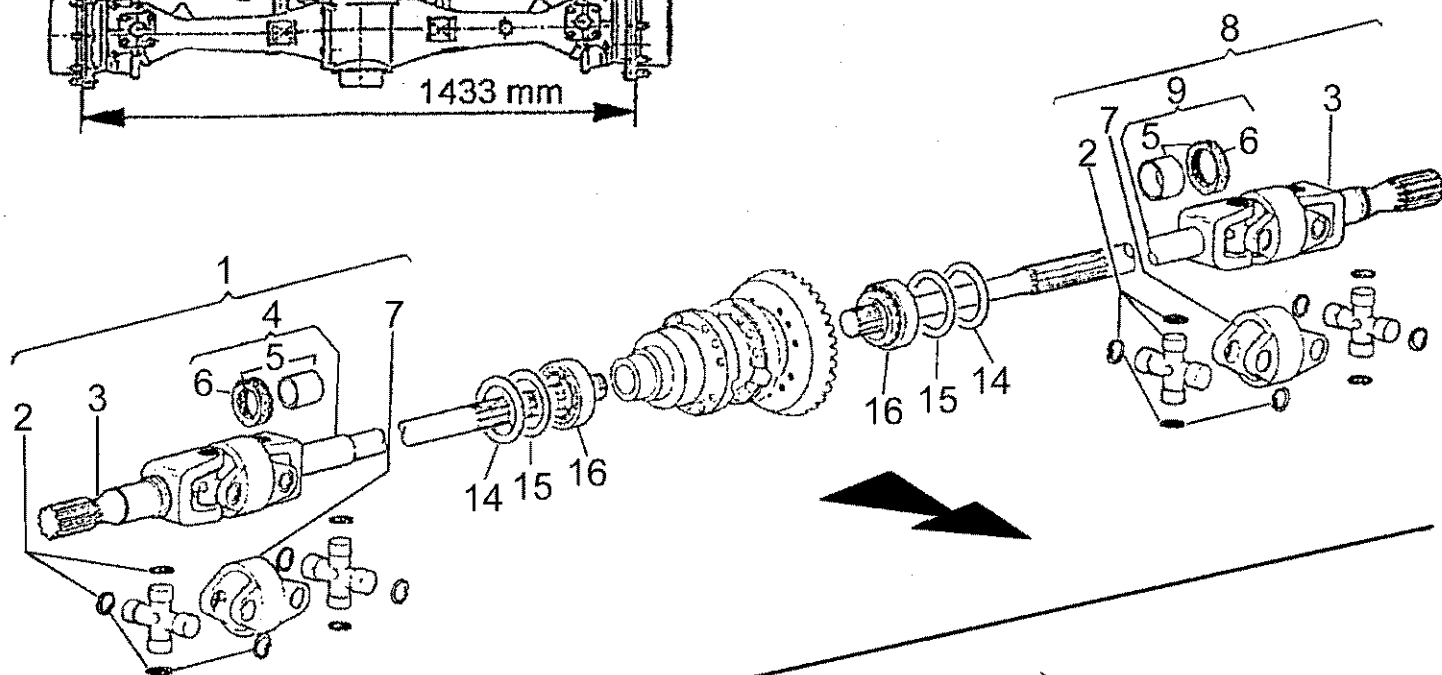
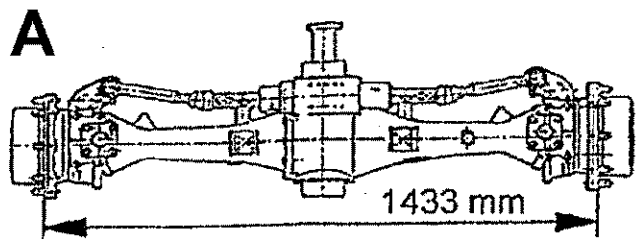
Ref	Onderdeelnummer	Kwt	Beschrijving
490	1-33-741-309	1	O-RING, , 120x5
520	1-33-741-310	1	TREKSTANGSTEUN,
540	190003963124	2	SMEERNIPPEL, , AM10x1
560	1-33-741-312	2	BUSHING, LARGE,





## 05-17(01) SWIVEL HOUSINGS FOR AXLES "A,B,D"

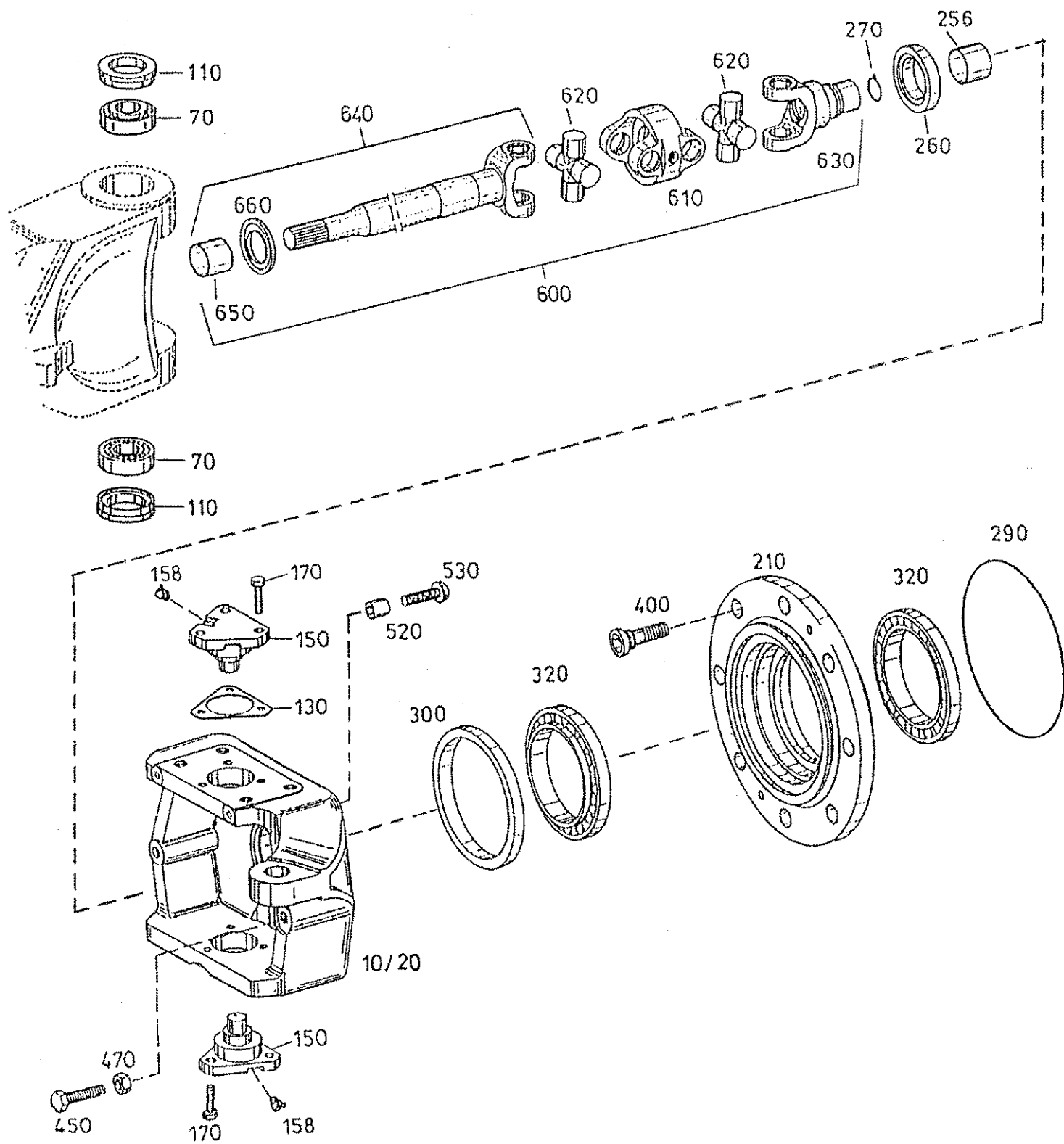
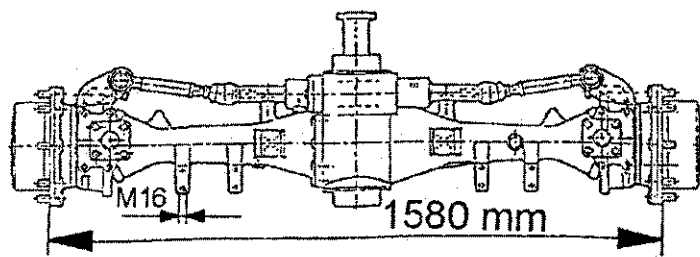
Ref	Onderdeelnummer	Kwt	Beschrijving
A	1-33-341-009	1	4WD-AS (COMPLEET), , Siehe Seite(n) vorne/See Page(s) before/Voir Page/s) avant/Se side (r ) forrest/Vedere pagin(a/e) precedent(e/i)
B	1-33-341-011	1	4WD-AS (COMPLEET), , Siehe Seite(n) vorne/See Page(s) before/Voir Page/s) avant/Se side (r ) forrest/Vedere pagin(a/e) precedent(e/i)
D	1-33-341-062	1	4WD-AS (COMPLEET), , Siehe Seite(n) vorne/See Page(s) before/Voir Page/s) avant/Se side (r ) forrest/Vedere pagin(a/e) precedent(e/i)
1	1-33-741-008	2	BOORGVEER,
2	1-33-741-007	2	SCHIJF,
3	1-33-741-029	1	HUIS, , Einschließlich/Includes/Avec/Inklusive/Compreso 4
4	137700411005	2	RING,
5	1-33-741-006	2	LAGER, KOGEL,
6	1-33-741-005	2	BOORGVEER,
7	1397421043	2	DICHTINGSRING, , 58x80x16,5
8	135700411065	2	MOER,
9	135700411064	2	SCHROEF,
10	1-33-741-030	1	HUIS, , Einschließlich/Includes/Avec/Inklusive/Compreso 4
11	131700411016	4	SCHROEF, , M10x12
12	190003802639	16	SCHROEF, , M12x40-10.9
13	1-33-741-015	4	BEARING COVER,
14	1-33-741-014	4	PIN, PIVOT,
15	135700411052	2	SCHIJF, , 0,2mm
16	135700411053	2	DIKTEPLAAT, , 0,5mm
17	1-33-741-013	4	RING, PACKING,
18	1-33-741-012	4	RACE,
19	135700411005	4	LAGER, ROL,



## 05-18(01) SHAFT,DRIVE FOR AXLES "A,B,D"

Ref	Onderdeelnummer	Kwt	Beschrijving
A	1-33-341-009	1	4WD-AS (COMPLEET), , Siehe Seite(n) vorne/See Page(s) before/Voir Page/s) avant/Se side (r ) forrest/Vedere pagin(a/e) precedent(e/i)
B	1-33-341-011	1	4WD-AS (COMPLEET), , Siehe Seite(n) vorne/See Page(s) before/Voir Page/s) avant/Se side (r ) forrest/Vedere pagin(a/e) precedent(e/i)
D	1-33-341-062	1	4WD-AS (COMPLEET), , Siehe Seite(n) vorne/See Page(s) before/Voir Page/s) avant/Se side (r ) forrest/Vedere pagin(a/e) precedent(e/i)
1	1-33-742-055	1	SHAFT, LONG, , Besteht aus/Consists of/Compose de/Bestående af/È composto da 2 - 7
2	1-33-742-054	4	JOINT, SPIDER,
3	1-33-742-052	2	FORK, LONG SHAFT,
4	1-33-742-056	1	FORK, LONG SHAFT, , Einschließlich/Includes/Avec/Inklusive/Compreso 5, 6
5	1-33-742-051	2	BUSHING, LARGE, , Ø40x65;18,5, Einschließlich/Includes/Avec/Inklusive/Compreso 6
6	1-33-742-072	2	DICHTINGSSTUK, , Ø45x65;18,5
7	1-33-742-053	2	KOPPELING,
8	1-33-742-049	1	KROONWIEL, , Besteht aus/Consists of/Compose de/Bestående af/È composto da 2, 3, 5 - 7, 9
9	1-33-742-050	1	FORK, SHORT SHAFT, , Einschließlich/Includes/Avec/Inklusive/Compreso 5, 6
10	1-33-742-062	1	SHAFT, LONG, , Besteht aus/Consists of/Compose de/Bestående af/È composto da 2, 3, 5 - 7, 11
11	1-33-742-063	1	FORK, LONG SHAFT, , Einschließlich/Includes/Avec/Inklusive/Compreso 5, 6
12	1-33-742-064	1	SCHARNIERAS, , Besteht aus/Consists of/Compose de/Bestående af/È composto da 2, 3, 5 - 7, 13
13	1-33-742-065	1	FORK, SHORT SHAFT, , Einschließlich/Includes/Avec/Inklusive/Compreso 5, 6
14	133700421001	2	SLUITRING, , 0,5mm
15	133700421002	2	SLUITRING, , 0,2mm
16	135700421049	2	LAGER, ROL,

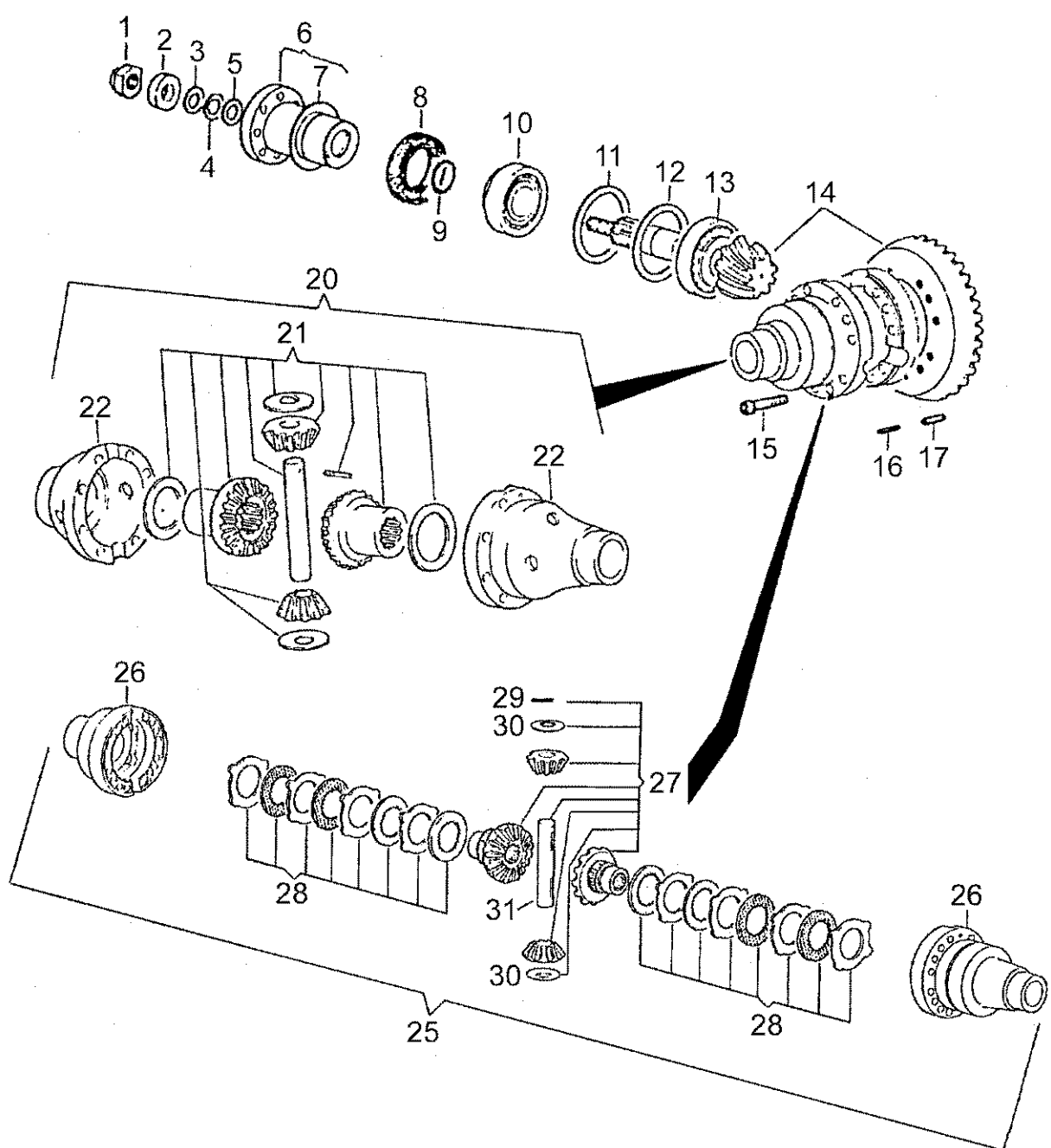
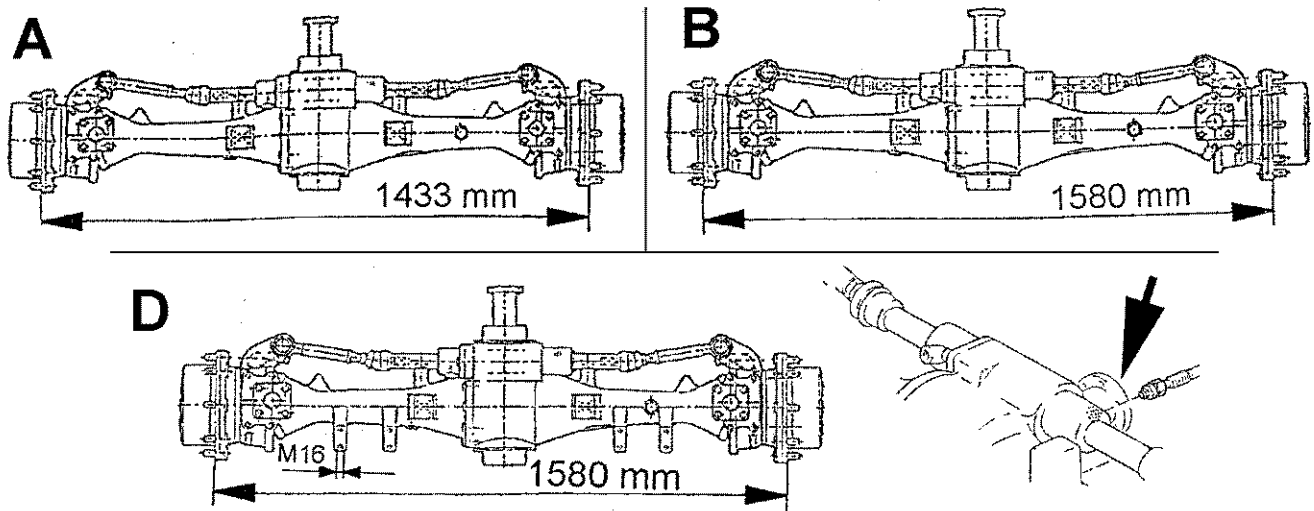
C



## 05-19(01) SWIVEL HOUSINGS AND DRIVE SHAFT FOR AXLES "C"

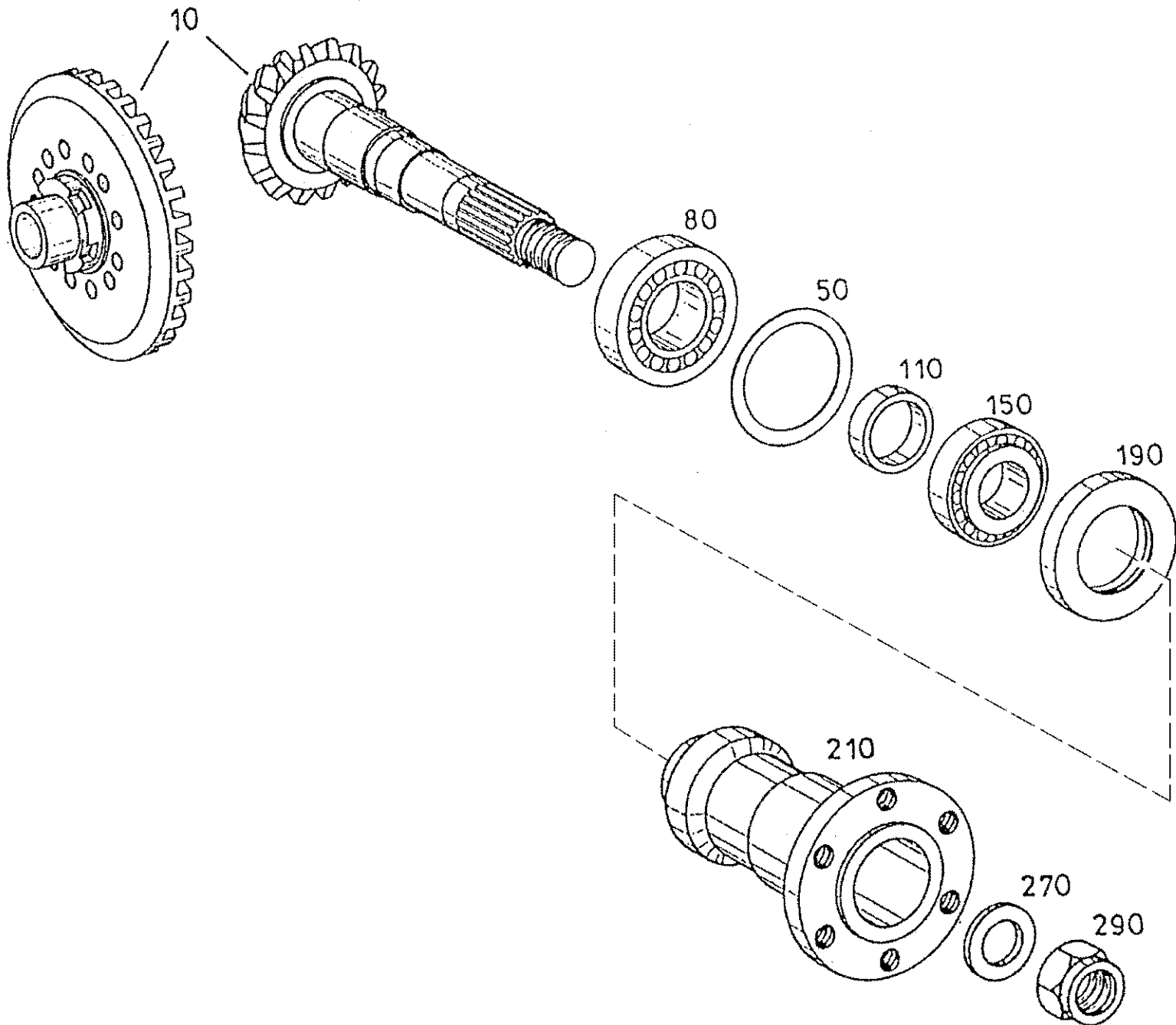
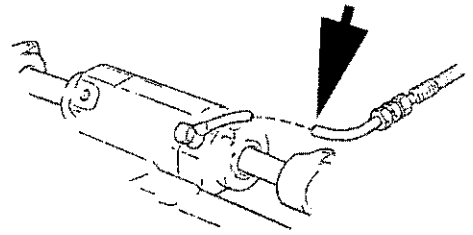
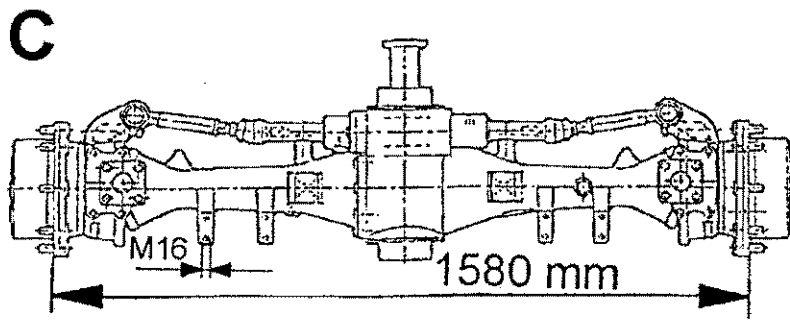
Ref	Onderdeelnummer	Kwt	Beschrijving
C	1-33-341-061	1	VOORAS, , Siehe Seite(n) vorne/See Page(s) before/Voir Page(s) avant/Se side (r ) forrest/Vedere pagin(a/e) precedent(e/i)
10	1-33-741-315	1	HUIS, , Rechts/Right/Droit/Højre/Destra
20	1-33-741-316	1	HUIS, , Links/Left/Gauche/Venstre/Sinistro
70	133700410823	4	NO DESCRIPTION, ROLLENLAGER
110	1-33-741-317	4	DICHTINGSSTUK,
130	1-33-741-318	2	SLUITRING, , 0,2mm
130	1-33-741-319	2	SLUITRING, , 0,3mm
130	1-33-741-320	2	NO DESCRIPTION, SCHEIBE, 0,4mm
130	1-33-741-321	2	SLUITRING, , 0,6mm
130	1-33-741-322	2	SLUITRING, , 0,8mm
130	1-33-741-323	2	SLUITRING, , 1,0mm
130	1-33-741-324	2	SLUITRING, , 1,4mm
150	1-33-741-325	4	PIN, PIVOT,
158	133700410761	4	SMEERNIPPEL,
170	190003802623	12	SCHROEF, , M12x30-10.9
210	133700410822	2	NAAF,
256	133700410821	2	LAGERBUS,
260	133700410820	2	DICHTINGSSTUK,
270	133700420737	2	BORGPLAAT,
290	133700410702	2	O-RING, , 200x3
300	133700410843	2	DICHTINGSSTUK,
320	1-31-741-019	4	BUSHING, LARGE,
400	133700410800	16	PIN, LARGE,
450	1-33-741-326	2	SCHROEF,
470	190003871334	2	MOER, , M14x1,5-10
520	135700410733	16	LAGERBUS,
530	133700410749	16	SCHROEF,
600	1-33-742-347	2	KOPPELING, , Besteht aus/Consists of/Compose de/Bestående af/È composto da 610 - 660
610	133700420792	2	VERBINDINGSSTUK, MIDDEN,
620	1-33-742-348	4	NO DESCRIPTION, KREUZSTÜCK
630	133700420794	2	VORK,
640	1-33-742-349	2	VORK, , Einschließlich/Includes/Avec/Inklusive/Compreso 650, 660
650	1-33-742-350	2	LAGERBUS,
660	1-33-742-351	2	VALVE,

05-20(01) BEVEL GEAR, MAIN SHAFT, DIFFERENTIAL FOR AXLES "A,B,D"



## 05-20(01) BEVEL GEAR, MAIN SHAFT, DIFFERENTIAL FOR AXLES "A,B,D"

Ref	Onderdeelnummer	Kwt	Beschrijving
A	1-33-341-009	1	4WD-AS (COMPLEET), , Siehe Seite(n) vorne/See Page(s) before/Voir Page/s) avant/Se side (r ) forrest/Vedere pagin(a/e) precedent(e/i)
B	1-33-341-011	1	4WD-AS (COMPLEET), , Siehe Seite(n) vorne/See Page(s) before/Voir Page/s) avant/Se side (r ) forrest/Vedere pagin(a/e) precedent(e/i)
D	1-33-341-062	1	4WD-AS (COMPLEET), , Siehe Seite(n) vorne/See Page(s) before/Voir Page/s) avant/Se side (r ) forrest/Vedere pagin(a/e) precedent(e/i)
1	1-33-742-048	1	MOER,
2	1-33-742-047	1	SCHIJF,
3	1-33-742-046	X	SLUITRING, , 0,50mm
4	1-33-742-045	X	SLUITRING, , 0,20mm
5	1-33-742-044	X	SLUITRING, , 0,15mm
6	1-33-742-042	1	FLENS, , Einschließlich/Includes/Avec/Inklusive/Compreso 7
7	1-33-742-043	1	RING,
8	1397421032	1	DICHTINGSRING,
9	1-33-742-041	1	O-RING,
10	135700421052	1	LAGER, KOGEL,
11	137700421008	X	INTELSCHIJF, , 0,5mm
12	137700421007	X	INTELSCHIJF, , 0,2mm
13	190003326072	1	LAGER,
14	1-33-742-066	1	PINION, CONE, , 9/26T
15	190003862540	12	SCHROEF, , M10x45-10.9
16	190003909644	4	SPANSTIFT, , 6x45
17	190003909672	4	SPANSTIFT, , 10x45
20	135700421050	1	DIFFERENTIEEL, , Besteht aus/Consists of/Compose de/Bestående af/È composto da 21, 22
21	135700421051	1	GEAR-SET,
22	135700421039	2	HUIS,
25	135700421075	1	LOCK, DIFFERENTIAL, , Besteht aus/Consists of/Compose de/Bestående af/È composto da 26 - 31
26	135700421076	2	HUIS,
27	135700421077	1	SET,
28	135700421078	2	STEL ONDERDELEN,
29	135700421061	1	SPLITPEN/VEILIGHEIDSPEN,
30	135700421079	2	WASHER, THRUST,
31	135700421038	1	SHAFT, GEAR,



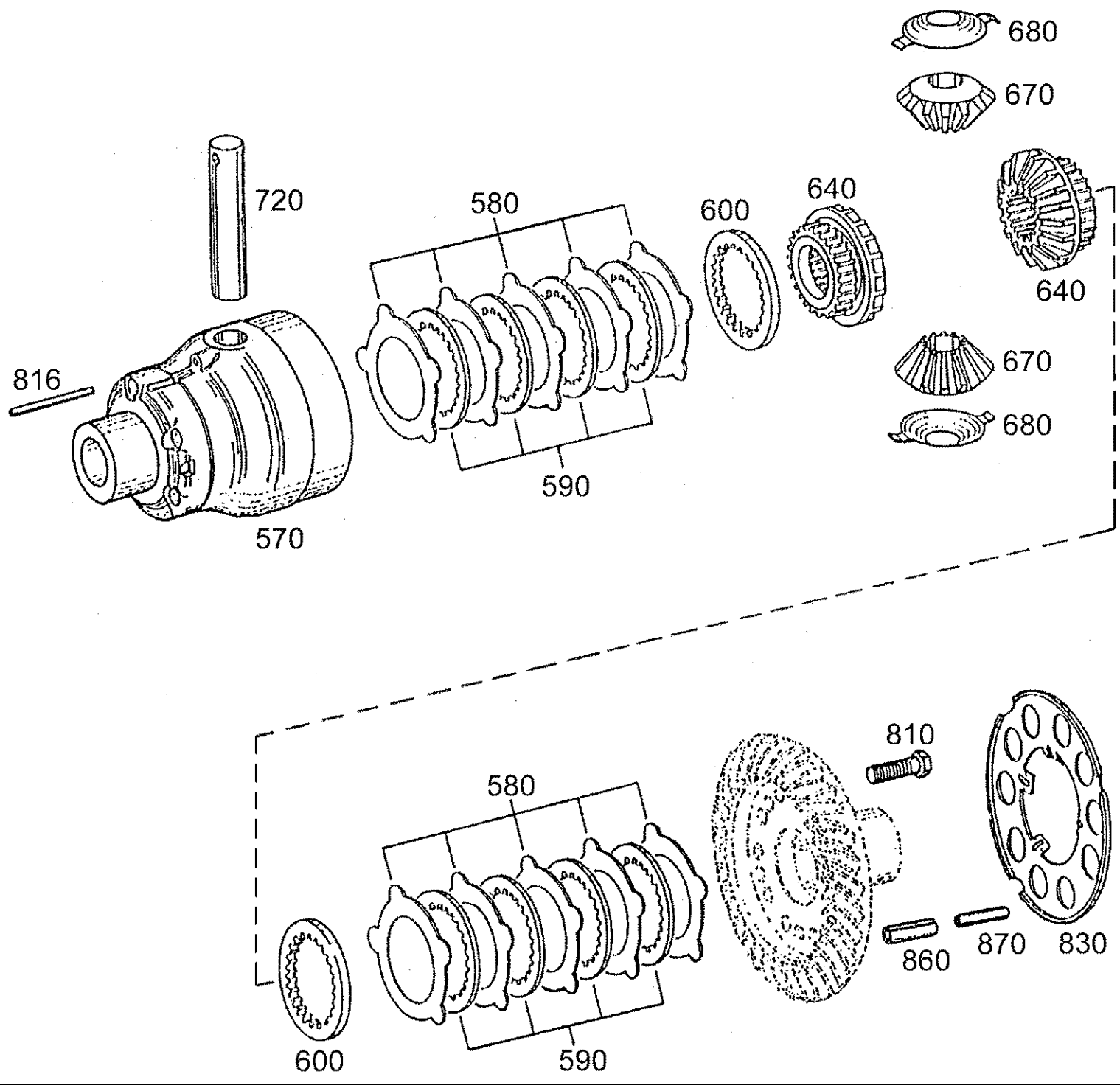
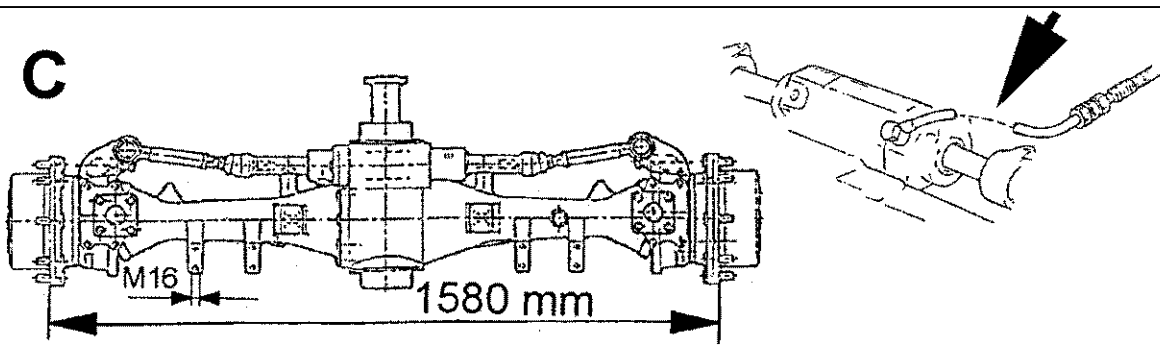


## 05-21(01) BEVEL GEAR, MAIN SHAFT FOR AXLE "C"

Ref	Onderdeelnummer	Kwt	Beschrijving
C	1-33-341-061	1	VOORAS, , Siehe Seite(n) vorne/See Page(s) before/Voir Page(s) avant/Se side (r ) forrest/Vedere pagin(a/e) precedent(e/i)
10	1-33-742-302	1	PINION, CONE,
50	133700420703	1	SLUITRING, , 0,90mm
50	133700420704	1	SLUITRING, , 0,95mm
50	133700420705	1	SLUITRING, , 1,00mm
50	133700420706	1	SLUITRING, , 1,05mm
50	133700420707	1	SLUITRING, , 1,10mm
50	133700420708	1	SLUITRING, , 1,15mm
50	133700420709	1	SLUITRING, , 1,20mm
50	133700420710	1	SLUITRING, , 1,25mm
50	133700420711	1	SLUITRING, , 1,30mm
50	135700420740	1	SLUITRING, , 1,35mm
50	135700420741	1	SLUITRING, , 1,40mm
50	135700420742	1	SLUITRING, , 1,45mm
50	133700420702	1	SLUITRING, , 1,50mm
50	133700420764	1	DIKTEPLAAT, , 2,50mm
80	133700410829	1	LAGER, ROL,
110	1-33-742-303	1	DIKTEPLAAT, , 11,30mm
110	1-33-742-304	1	DIKTEPLAAT, , 11,33mm
110	1-33-742-305	1	DIKTEPLAAT, , 11,36mm
110	1-33-742-306	1	DIKTEPLAAT, , 11,39mm
110	1-33-742-307	1	DIKTEPLAAT, , 11,42mm
110	1-33-742-308	1	DIKTEPLAAT, , 11,45mm
110	1-33-742-309	1	DIKTEPLAAT, , 11,48mm
110	1-33-742-310	1	DIKTEPLAAT, , 11,51mm
110	1-33-742-311	1	DIKTEPLAAT, , 11,54mm
110	1-33-742-312	1	DIKTEPLAAT, , 11,57mm
110	1-33-742-313	1	DIKTEPLAAT, , 11,60mm
110	1-33-742-314	1	DIKTEPLAAT, , 11,63mm
110	1-33-742-315	1	DIKTEPLAAT, , 11,66mm
110	1-33-742-316	1	DIKTEPLAAT, , 11,69mm
110	1-33-742-317	1	DIKTEPLAAT, , 11,72mm
110	1-33-742-318	1	DIKTEPLAAT, , 11,75mm
110	1-33-742-319	1	DIKTEPLAAT, , 11,78mm
110	1-33-742-320	1	DIKTEPLAAT, , 11,81mm
110	1-33-742-321	1	DIKTEPLAAT, , 11,84mm
110	1-33-742-322	1	DIKTEPLAAT, , 11,87mm
110	1-33-742-323	1	DIKTEPLAAT, , 11,90mm
110	1-33-742-324	1	DIKTEPLAAT, , 11,93mm
110	1-33-742-325	1	DIKTEPLAAT, , 11,96mm

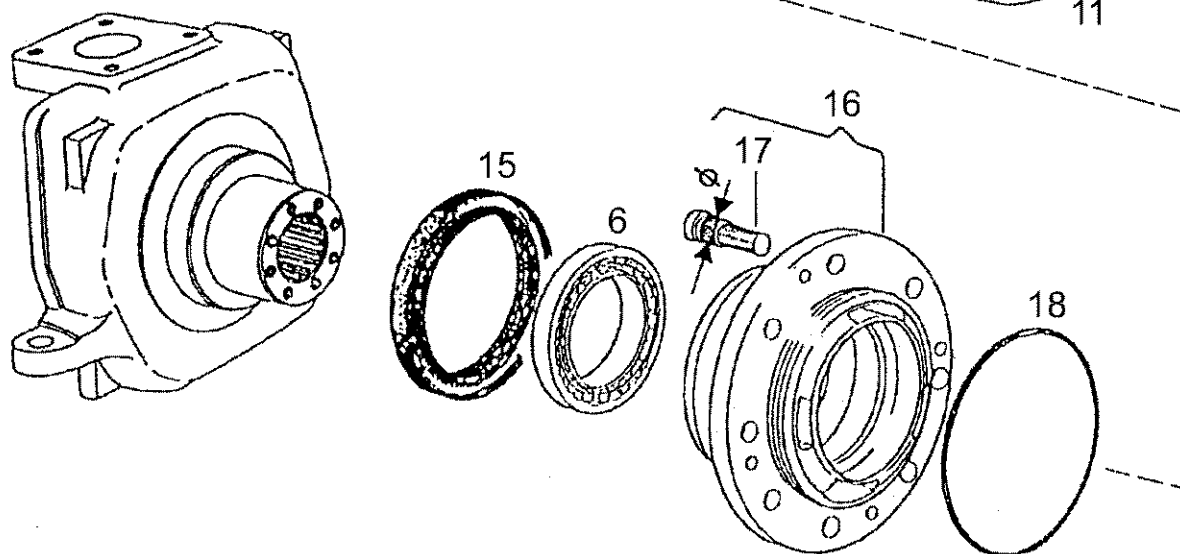
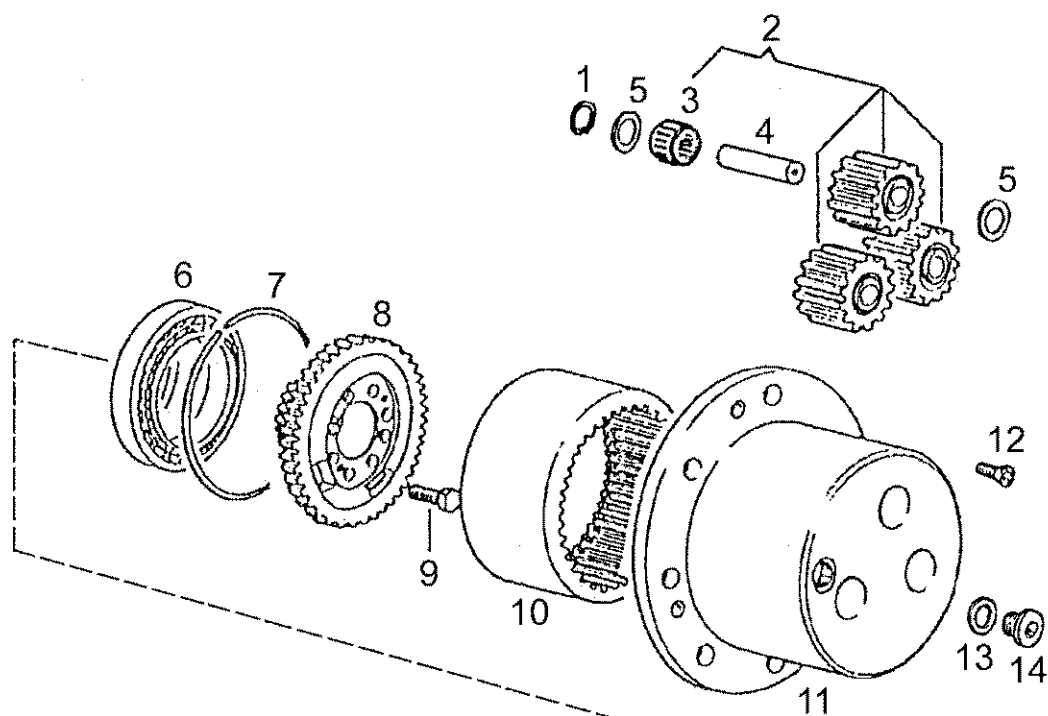
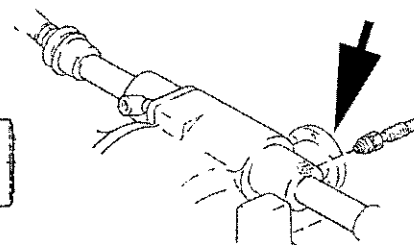
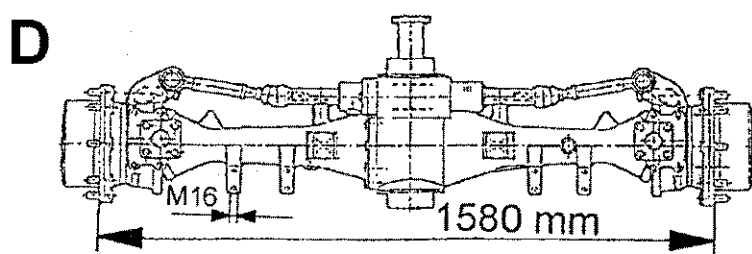
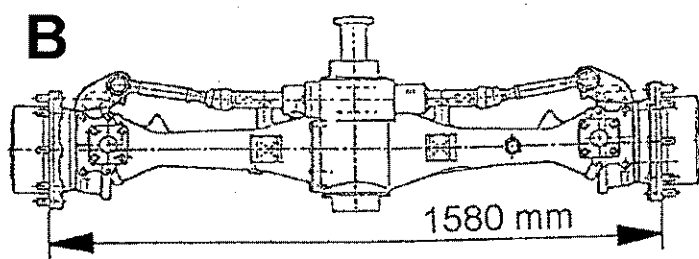
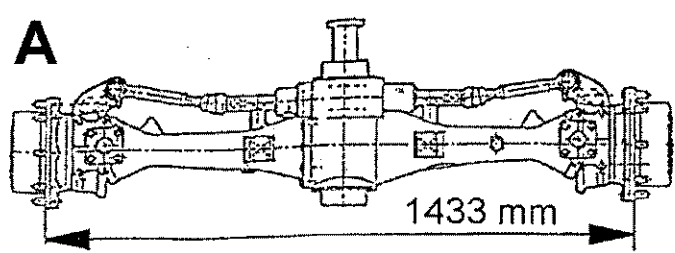
## 05-21(01) BEVEL GEAR, MAIN SHAFT FOR AXLE "C"

Ref	Onderdeelnummer	Kwt	Beschrijving
110	1-33-742-326	1	DIKTEPLAAT , , 11,99mm
110	1-33-742-327	1	DIKTEPLAAT , , 12,02mm
110	1-33-742-328	1	DIKTEPLAAT , , 12,05mm
110	1-33-742-329	1	DIKTEPLAAT , , 12,08mm
110	1-33-742-330	1	DIKTEPLAAT , , 12,11mm
110	1-33-742-331	1	DIKTEPLAAT , , 12,14mm
110	1-33-742-332	1	DIKTEPLAAT , , 12,17mm
110	1-33-742-333	1	DIKTEPLAAT , , 12,20mm
110	1-33-742-334	1	DIKTEPLAAT , , 12,23mm
110	1-33-742-335	1	DIKTEPLAAT , , 12,26mm
110	1-33-742-336	1	DIKTEPLAAT , , 12,29mm
110	1-33-742-337	1	DIKTEPLAAT , , 12,32mm
110	1-33-742-338	1	DIKTEPLAAT , , 12,35mm
110	1-33-742-339	1	DIKTEPLAAT , , 12,38mm
150	133700410844	1	LAGER, ROL,
190	1-33-742-301	1	DICHTINGSSTUK,
210	1-33-742-340	1	PIGNON,
270	1-33-742-341	1	SCHIJF,
290	1-33-742-342	1	MOER, , M22x2



## 05-22(01) DIFFERENTIAL FOR AXLES "C"

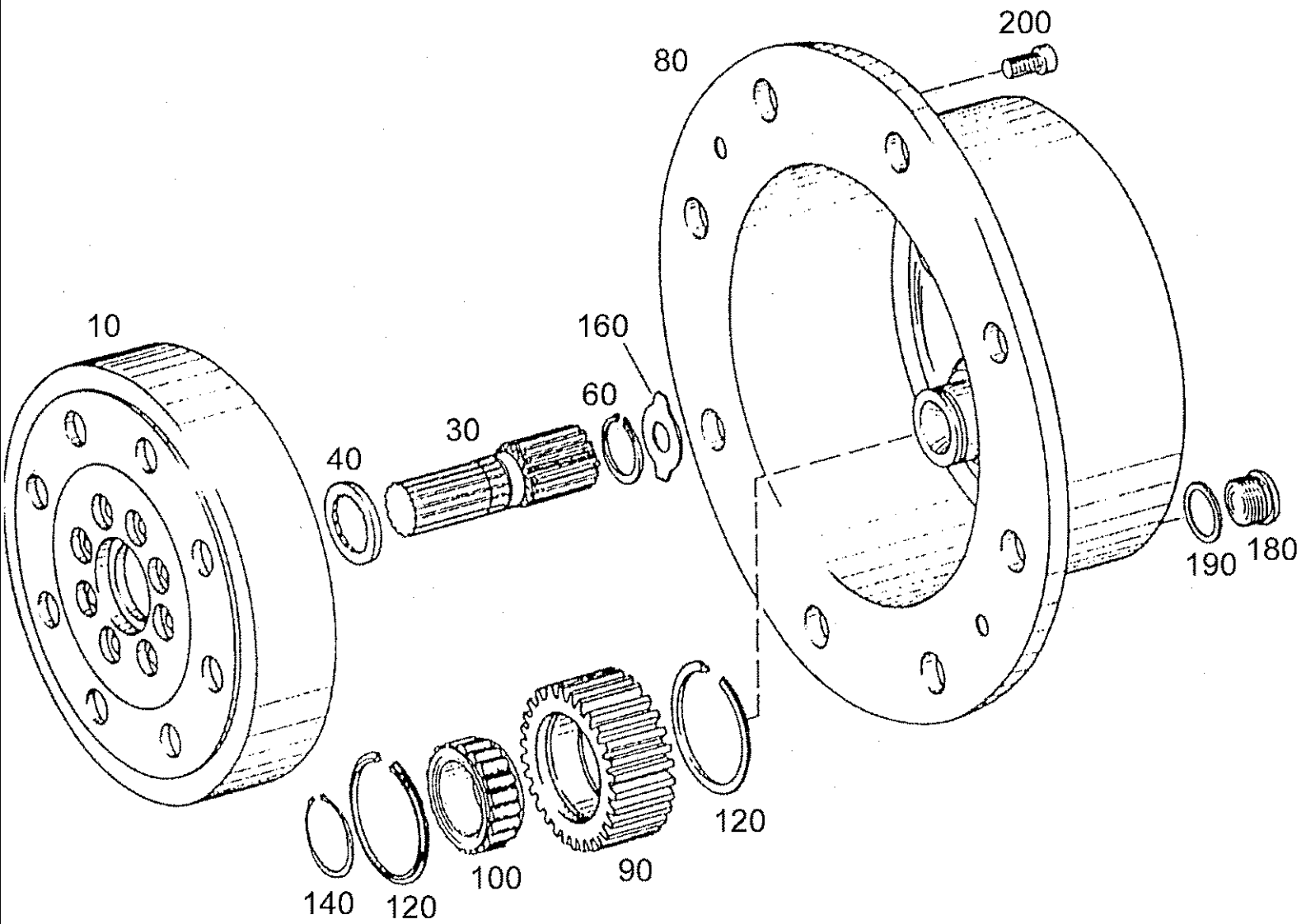
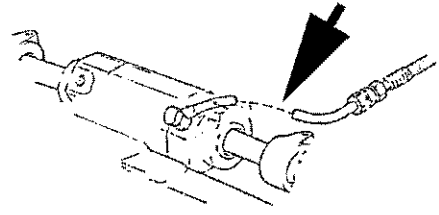
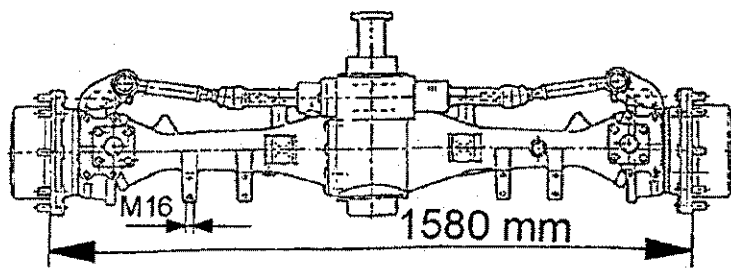
Ref	Onderdeelnummer	Kwt	Beschrijving
C	1-33-341-061	1	VOORAS, , Siehe Seite(n) vorne/See Page(s) before/Voir Page(s) avant/Se side (r ) forrest/Vedere pagin(a/e) precedent(e/i)
	133700420785	1	DIFFERENTIEEL, , Besteht aus/Consists of/Compose de/Bestående af/È composto da 570 - 870
570	133700420716	1	CAGE,
580	133700420780	10	AS, , 1,1mm
580	133700420717	10	RIB, , 1,2mm
580	133700420781	10	AS, , 1,3mm
580	133700420782	10	AS, , 1,4mm
590	133700420718	8	SCHIJF,
600	133700420721	2	SLUITRING,
640	133700420725	2	PINION, CONE, , 16T
670	1-33-742-343	2	PINION, CONE,
680	133700420727	2	WASHER, THRUST,
720	133700420734	1	HOUSING, AXLE,
810	1390410759	10	SCHROEF,
816	190003909641	1	SPANSTIFT, , 5x50
830	133700420735	1	SNAP RING,
860	1-33-742-345	5	PEN, , 10x28
870	190003909631	5	SPANSTIFT, , 6x30



## 05-23(01) PLANETARY DRIVE FOR AXLES "A,B,D"

Ref	Onderdeelnummer	Kwt	Beschrijving
A	1-33-341-009	1	4WD-AS (COMPLEET), , Siehe Seite(n) vorne/See Page(s) before/Voir Page/s) avant/Se side (r ) forrest/Vedere pagin(a/e) precedent(e/i)
B	1-33-341-011	1	4WD-AS (COMPLEET), , Siehe Seite(n) vorne/See Page(s) before/Voir Page/s) avant/Se side (r ) forrest/Vedere pagin(a/e) precedent(e/i)
D	1-33-341-062	1	4WD-AS (COMPLEET), , Siehe Seite(n) vorne/See Page(s) before/Voir Page/s) avant/Se side (r ) forrest/Vedere pagin(a/e) precedent(e/i)
1	1-33-742-060	6	SLUITRING,
2	1-33-742-057	2	STEL ONDERDELEN, , Einschließlich/Includes/Avec/Inklusive/Compreso 3, 4
3	1-33-742-059	6	LAGER, NAALD,
4	1-33-742-058	6	PIN, LARGE,
5	137700420722	12	WASHER, THRUST,
6	135700421058	4	LAGER, KOGEL,
7	1-33-741-018	2	BORGPLAAT,
8	1-33-741-019	2	TANDWIEL,
9	135700411070	24	SCHROEF, , M10x35-10,9
10	1-33-742-061	2	KROONWIEL,
11	1-33-741-001	2	DRAGER, TANDWIELEN,
12	190003862031	4	SCHROEF, , M10x20-10.9
13	190003098033	2	DICHTINGSRING, , A26x34-CU
14	1397411027	2	SCHROEF,
15	1-33-741-027	2	RING, PACKING,
16	1-33-741-028	2	NAAF, , Einschließlich/Includes/Avec/Inklusive/Compreso 17
17	135700411021	X	PIN, LARGE, , Ø22mm
17	1-33-741-031	X	PIN, LARGE, , Ø23,5mm
18	1-33-741-022	2	RING, PACKING,

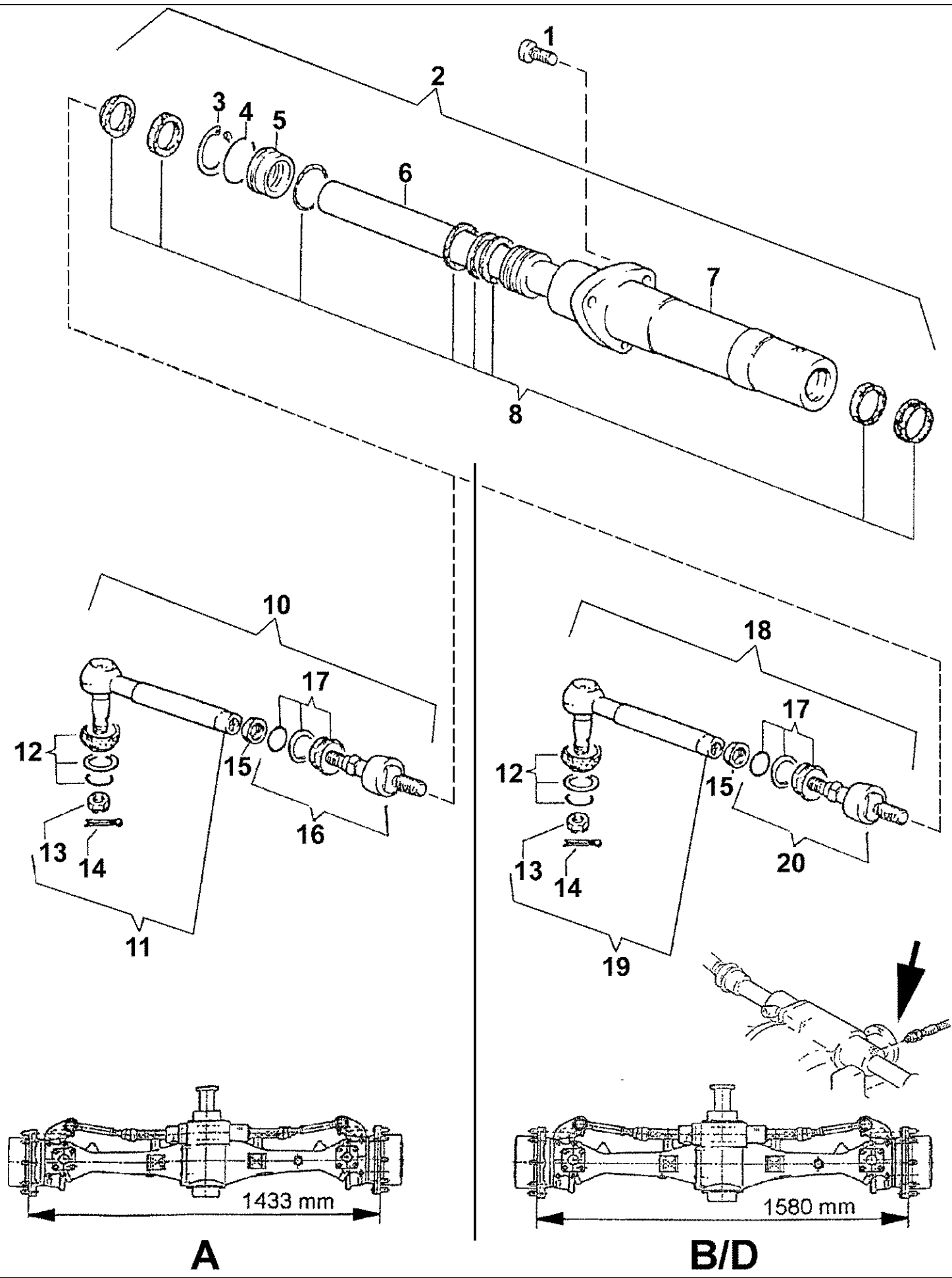
C



## 05-24(01) PLANETARY DRIVE FOR AXLE "C"

Ref	Onderdeelnummer	Kwt	Beschrijving
C	1-33-341-061	1	VOORAS, , Siehe Seite(n) vorne/See Page(s) before/Voir Page(s) avant/Se side (r ) forrest/Vedere pagin(a/e) precedent(e/i)
10	135700420744	2	KROONWIEL,
30	133700420786	2	SHAFT, GEAR, , 18T
40	135700420747	2	WASHER, THRUST,
60	190003933253	2	SLUITRING, , 35x2,5
80	135700420748	2	PIGNON,
90	133700420787	6	GEAR WHEEL, , 46T
100	135700421044	6	LAGER, ROL,
120	135700420757	12	HOEKSTUK,
140	190003933257	6	BORGPLAAT, , 36x1,75
160	135700420752	2	SLUITRING, , 1,0mm
160	133700420747	2	SLUITRING, , 1,5mm
160	135700420753	2	SLUITRING, , 1,7mm
160	133700420748	2	SLUITRING, , 2,0mm
160	135700420754	2	SLUITRING, , 2,2mm
160	133700420749	2	SLUITRING, , 2,5mm
180	190003962041	2	SCHROEF, , M24x1,5
190	135700420755	2	O-RING, , 21x2
200	190003860050	4	SCHROEF, , M10x20-8.8





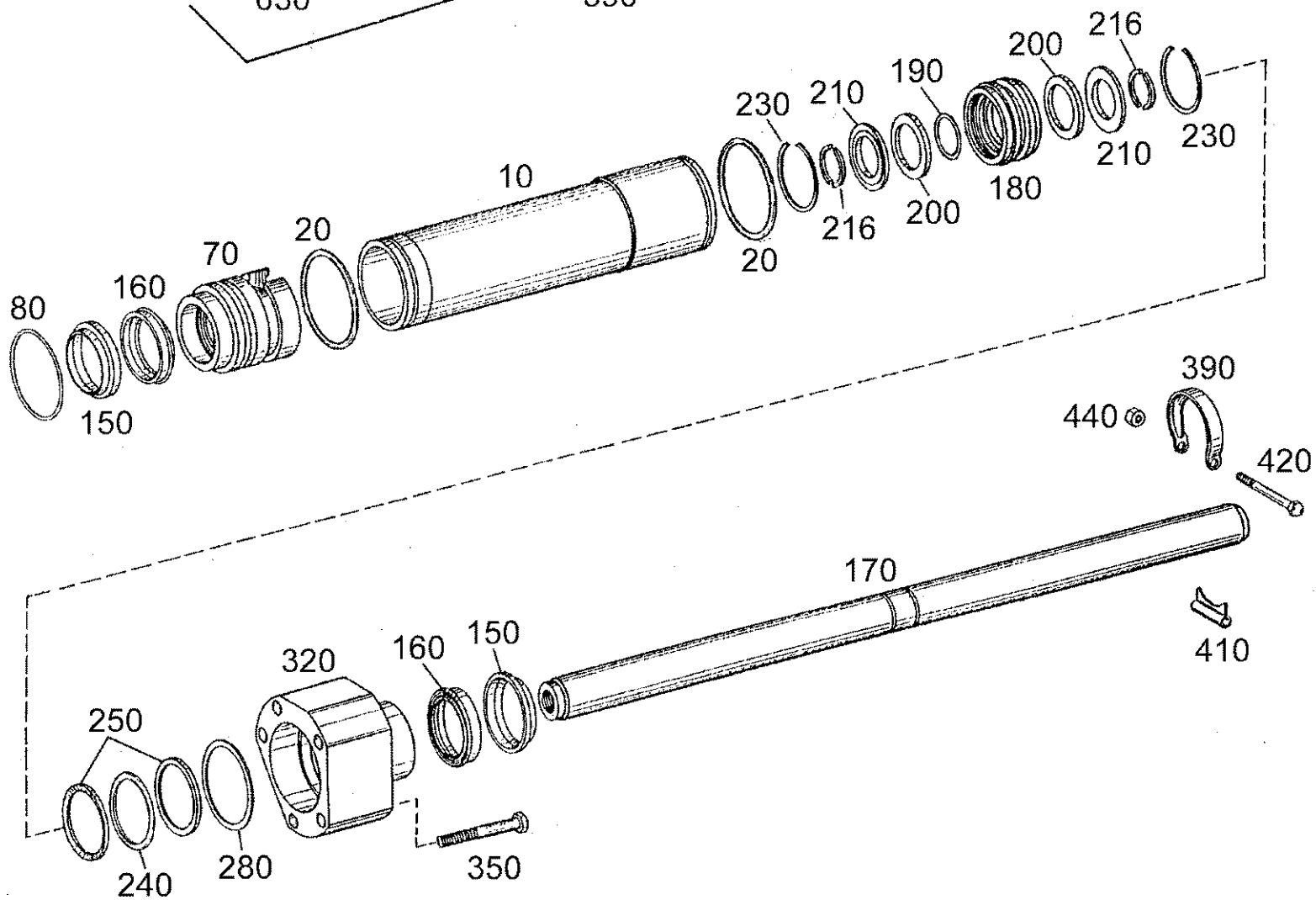
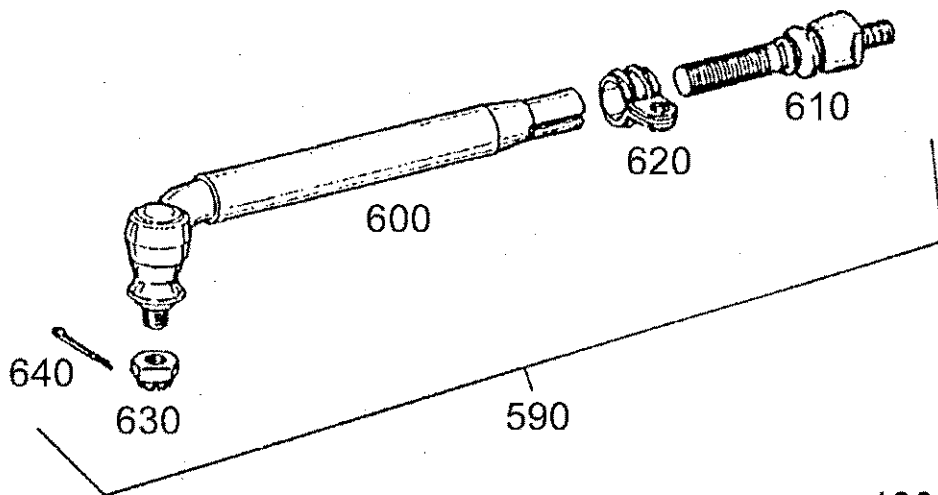
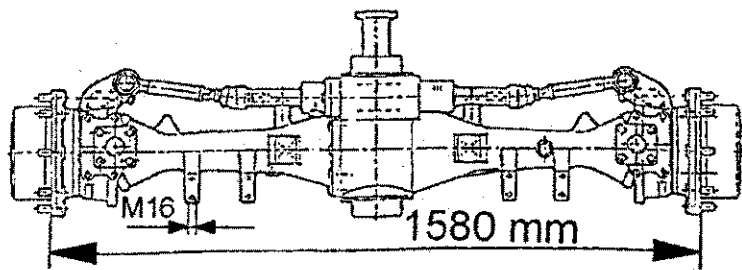
**A**

**B/D**

## 05-25(01) STEERING CYLINDER FOR AXLES "A,B,D"

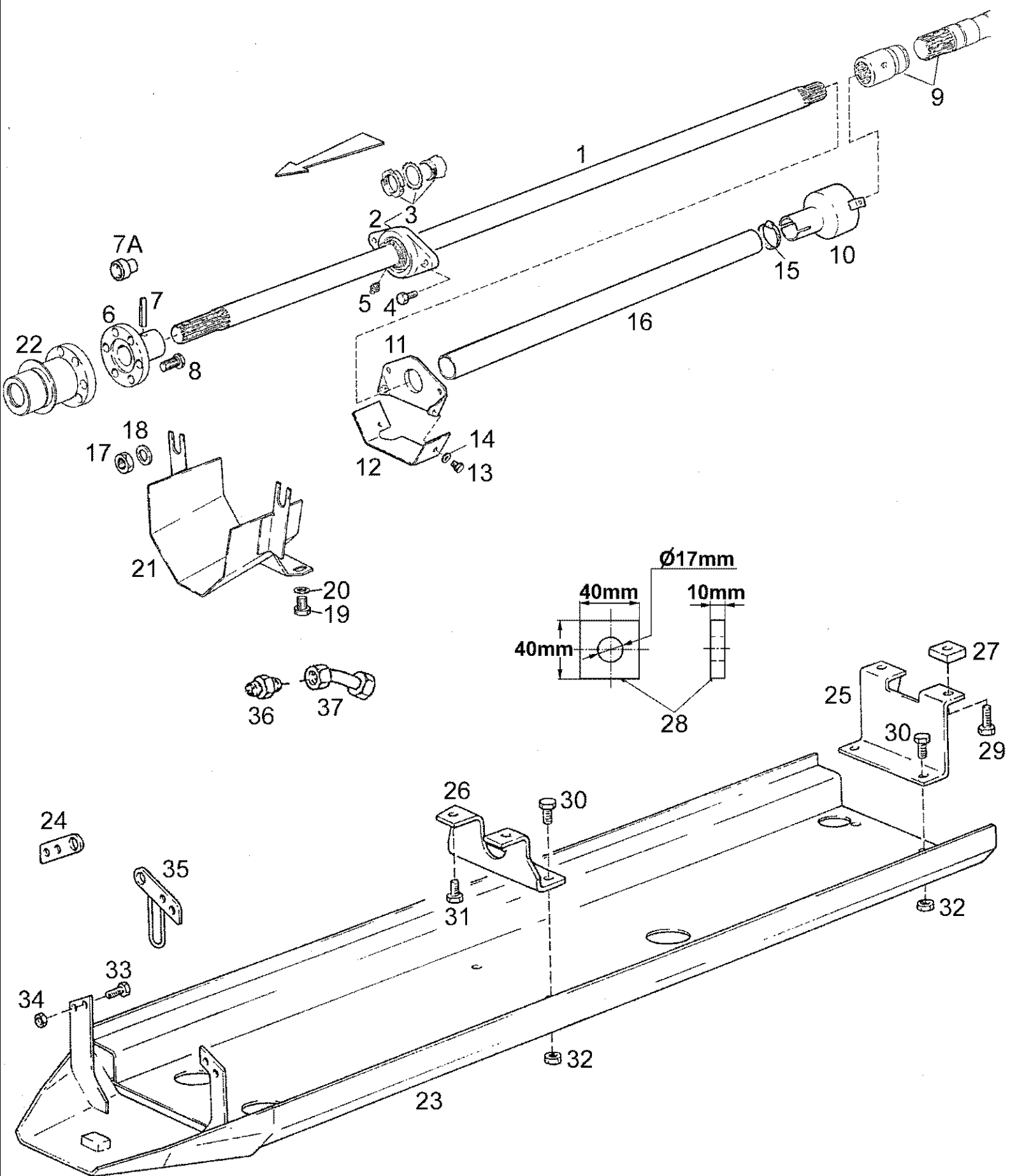
Ref	Onderdeelnummer	Kwt	Beschrijving
A	1-33-341-009	1	4WD-AS (COMPLEET), , Siehe Seite(n) vorne/See Page(s) before/Voir Page/s) avant/Se side (r ) forrest/Vedere pagin(a/e) precedent(e/i)
B	1-33-341-011	1	4WD-AS (COMPLEET), , Siehe Seite(n) vorne/See Page(s) before/Voir Page/s) avant/Se side (r ) forrest/Vedere pagin(a/e) precedent(e/i)
D	1-33-341-062	1	4WD-AS (COMPLEET), , Siehe Seite(n) vorne/See Page(s) before/Voir Page/s) avant/Se side (r ) forrest/Vedere pagin(a/e) precedent(e/i)
1	135700421064	3	SCHROEF,
2	1-33-747-002	1	CYLINDER STEERING, , Besteht aus/Consists of/Compose de/Bestående af/È composto da 3 - 8
3	1-33-747-005	1	BOORGVEER,
4	1-33-747-006	1	SLUITRING,
5	1-33-747-007	1	SLEEVE,
6	1-33-747-003	1	STAAK,
7	1-33-747-004	1	CYLINDER,
8	1-33-747-001	1	KIT, GASKET,
10	1-33-743-001	2	TREKSTANG, , Besteht aus/Consists of/Compose de/Bestående af/È composto da 11, 16
11	1-33-743-002	2	KOGELWRIGHT, , Einschließlich/Includes/Avec/Inklusive/Compreso 12 - 14
12	1-33-743-007	2	KIT, GASKET,
13	190003872359	2	MOER, , M20x1,5
14	190003920361	2	SPLITPEN, , 4x40
15	1-33-743-004	2	MOER,
16	1-33-743-003	2	KOPPELING, , Einschließlich/Includes/Avec/Inklusive/Compreso 17
17	1-33-743-008	2	KIT, GASKET,
18	1-33-743-009	2	TREKSTANG, , Besteht aus/Consists of/Compose de/Bestående af/È composto da 19, 20
19	1-33-743-010	2	KOGELWRIGHT, , Einschließlich/Includes/Avec/Inklusive/Compreso 12 - 14
20	1-33-743-011	2	KOPPELING, , Einschließlich/Includes/Avec/Inklusive/Compreso 17

**C**



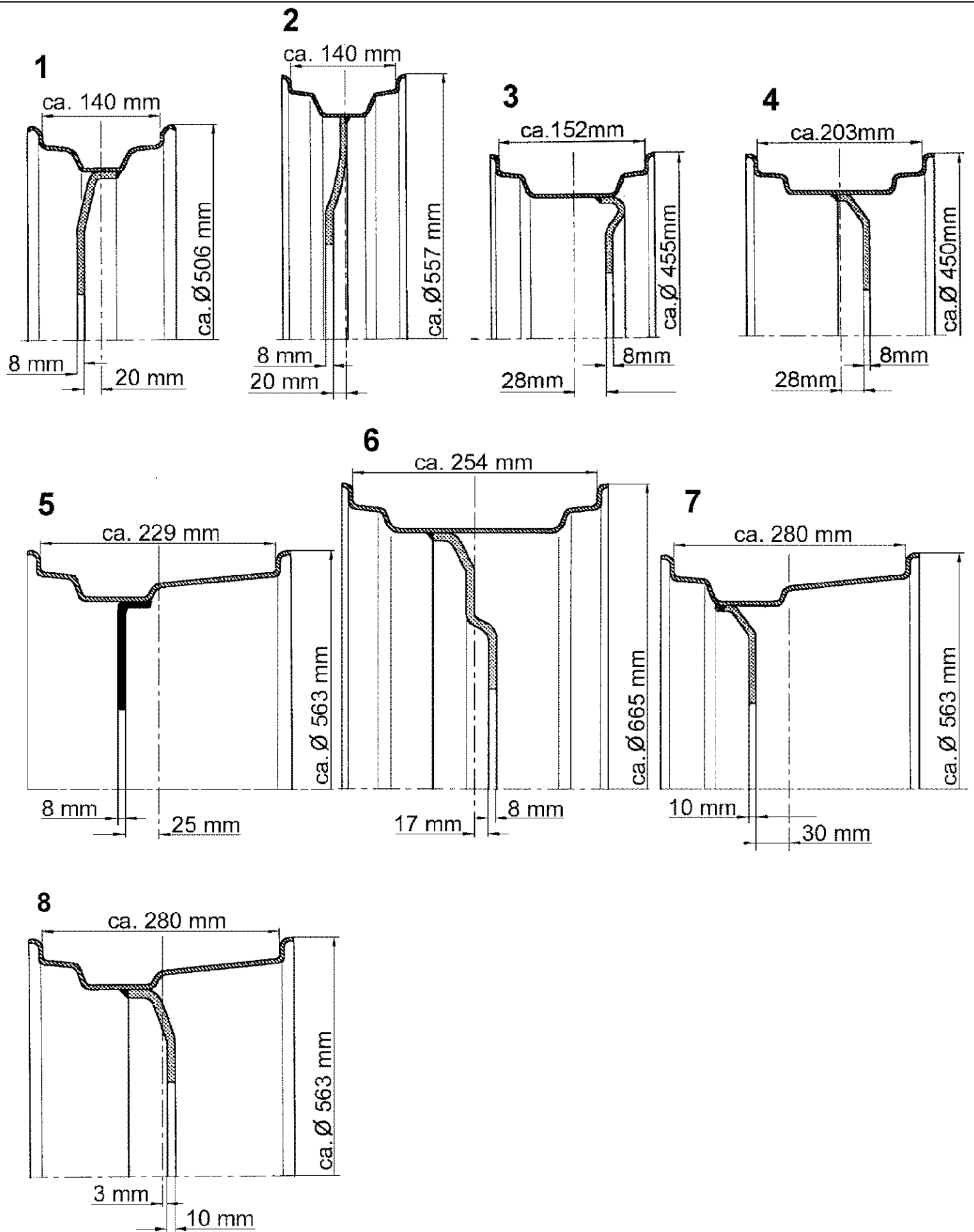
## 05-26(01) STEERING CYLINDER FOR AXLE "C"

Ref	Onderdeelnummer	Kwt	Beschrijving
C	1-33-341-061	1	VOORAS, , Siehe Seite(n) vorne/See Page(s) before/Voir Page/s) avant/Se side (r ) forrest/Vedere pagin(a/e) precedent(e/i)
10	133700470723	1	BUS, HYDR. CIL.,
20	1-33-747-301	2	O-RING, , 64x3
70	135700470702	1	GELEIDER,
80	1-33-747-302	1	O-RING, , 62x3
150	133700470734	2	NOKKENAS,
160	133700470765	2	DICHTINGSRING,
170	1-33-747-303	1	STAAK,
180	133700470707	1	ZUIGER,
190	1-33-747-304	1	O-RING, , 30x5
200	133700470708	2	AFSTANDSRING,
210	133700470709	2	BORGPLAAT,
216	133700470710	2	BUSHING, LARGE,
230	139900471009	2	BUSHING, LARGE, , SB 53
240	1-33-747-305	1	SEAL ASSY.,
250	1-33-747-306	2	RING, SCRAPER,
280	133700470744	1	SLUITRING, , 0,9mm
280	133700470711	1	SLUITRING, , 1,0mm
280	133700470712	1	SLUITRING, , 1,1mm
280	133700470713	1	SLUITRING, , 1,2mm
280	133700470714	1	SLUITRING, , 1,3mm
280	133700470715	1	SLUITRING, , 1,4mm
280	133700470716	1	SLUITRING, , 1,5mm
280	133700470717	1	SLUITRING, , 1,6mm
280	133700470718	1	SLUITRING, , 1,7mm
280	133700470719	1	SLUITRING, , 1,8mm
320	135700470703	1	GELEIDER,
350	1390421015	5	SCHROEF, , M10x80
390	133700470721	2	PANEELWERK,
410	133700470722	2	AFSTANDSRING,
420	190003802451	2	SCHROEF, Hex, M8 x 50, 8.8, , M8x50-8.8
440	43362	2	MOER, M8, CI 10,
590	135700430706	2	NO DESCRIPTION, SPURSTANGE, Besteht aus/Consists of/Compose de/Bestående af/È composto da 600 - 640
600	1-33-743-301	2	KOGELWRIGHT,
610	135700430709	2	KOPPELING,
620	1-33-743-302	2	RINGKLEM,
630	1968465C1	2	MOER, , M18x1,5
640	190003920347	2	SPLITPEN, , 4x32



## 05-27(01) DRIVE SHAFT AND COVER,PROTECTIVE

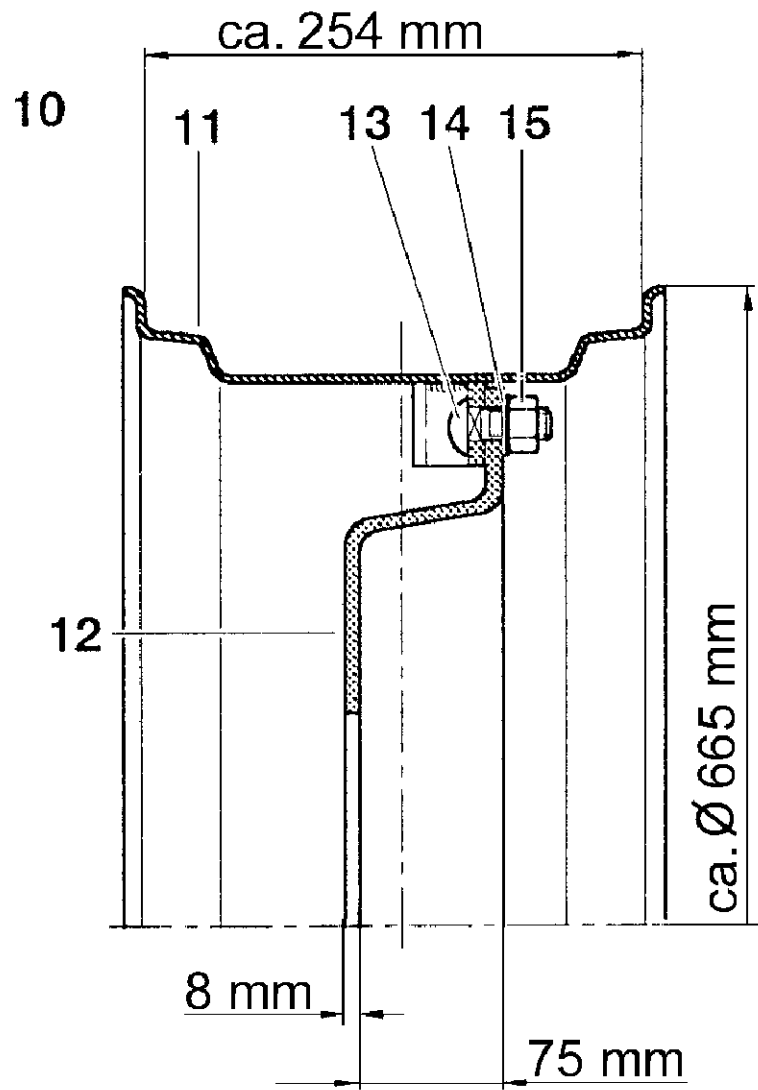
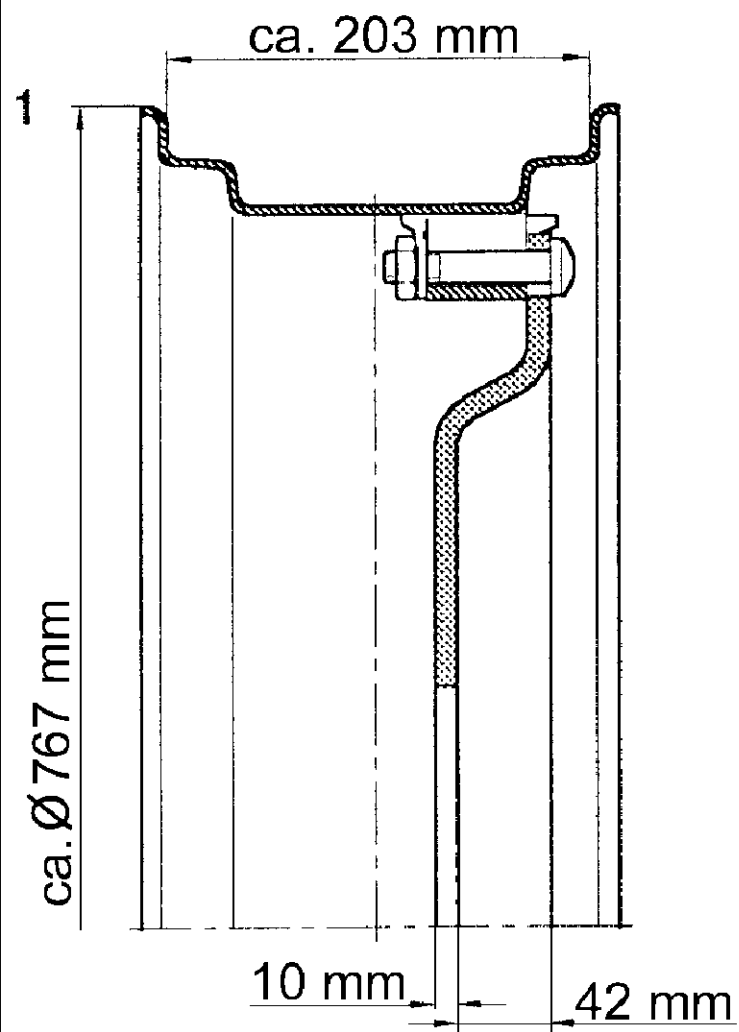
Ref	Onderdeelnummer	Kwt	Beschrijving
1	1-33-131-007	1	AS,
2	1-33-131-035	1	HUIS, , Einschließlich/Includes/Avec/Inklusive/Compreso 3
3	135700310701	1	SET,
4	11106231	2	BOUT, Hex, M10 x 25, 10.9, Full Thd, , M10x25-8.8
5	190003963112	1	SMEERNIPPEL, , AM8x1
6	1-33-131-006	1	FLENS,
7	190003909656	1	SPANSTIFT, , 8x45
7A	1-33-131-064	1	STOOTSTUK,
8	190003802623	6	SCHROEF, , M12x30-10.9
9	REF	-	INSTRUCTION, , Siehe Kapitel 06/See Chapter 06/voir Chapitre 06/Se kapitel 06/Vedere capitolo 06
10	REF	-	INSTRUCTION, , Siehe Kapitel 06/See Chapter 06/voir Chapitre 06/Se kapitel 06/Vedere capitolo 06
11	133700310025	1	SHEET,
12	133700310020	1	COVER, PROTECTIVE,
13	336199	2	BOUT, Hex, M8 x 12, 8.8, Full Thd, , M8x12-8.8
14	190003930261	2	SLUITRING, , A8,4
15	1-32-373-178	1	KLEM, , 32/50
16	1-33-131-003	1	OPVULPIJP,
17	190003870059	2	MOER, , M18
18	190003930311	2	SCHIJF, , A19
19	43151	2	BOUT, Hex, M12 x 20, 8.8, Full Thd, , M12x20-8.8
20	190003930282	2	SCHIJF, , A13
21	1-33-131-020	1	COVER, PROTECTIVE,
22	REF	-	INSTRUCTION, , Siehe Seite(n) vorne/See Page(s) before/Voir Page(s) avant/Se side (r ) forrest/Vedere pagin(a/e) precedent(e/i)
23	1-35-143-001	1	PROTECTOR,
24	1-35-143-007	2	VERWISSELBAAR RISTERVOORS,
25	1-35-243-004	1	HOEKSTUK,
26	1-35-243-007	1	HOEKSTUK,
27	133700780038	4	PLAAT,
28	133700930050	4	VERWISSELBAAR RISTERVOORS,
29	190003800728	2	SCHROEF, , M14x50-8.8
30	190003802724	4	SCHROEF, , M14x30-8.8
31	280854	2	BOUT, Hex, M14 x 35, 8.8, Full Thd, , M14x35-8.8
32	190003871329	4	MOER, , M14-8
33	190003802527	4	SCHROEF, , M10x30-8.8
34	100016	4	MOER, M10, CI 8,
35	1-35-143-004	1	VERWISSELBAAR RISTERVOORS,
36	190003559465	4	VERBINDING, , L12
37	1-35-143-013	2	FITTING,



## 05-28(01) FRONT WHEELS, NOT ADJUSTABLE

Ref	Onderdeelnummer	Kwt	Beschrijving
1	133700610311	2	WIELVEL, , 5,50Fx18
2	135700610179	2	WIELVEL, , 5,50Fx20
3	137700610018	2	WIELVEL, , 6,00Fx16
4	135700610173	2	WIELVEL, , W8Lx16
5	133700610314	2	WIELVEL, , 9x20
6	135700610185	2	WIELVEL, , W10x24
7	133700610383	2	WIELVEL, , 11x20; ET30
8	135700610096	2	WIELVEL, , 11x20; ET13

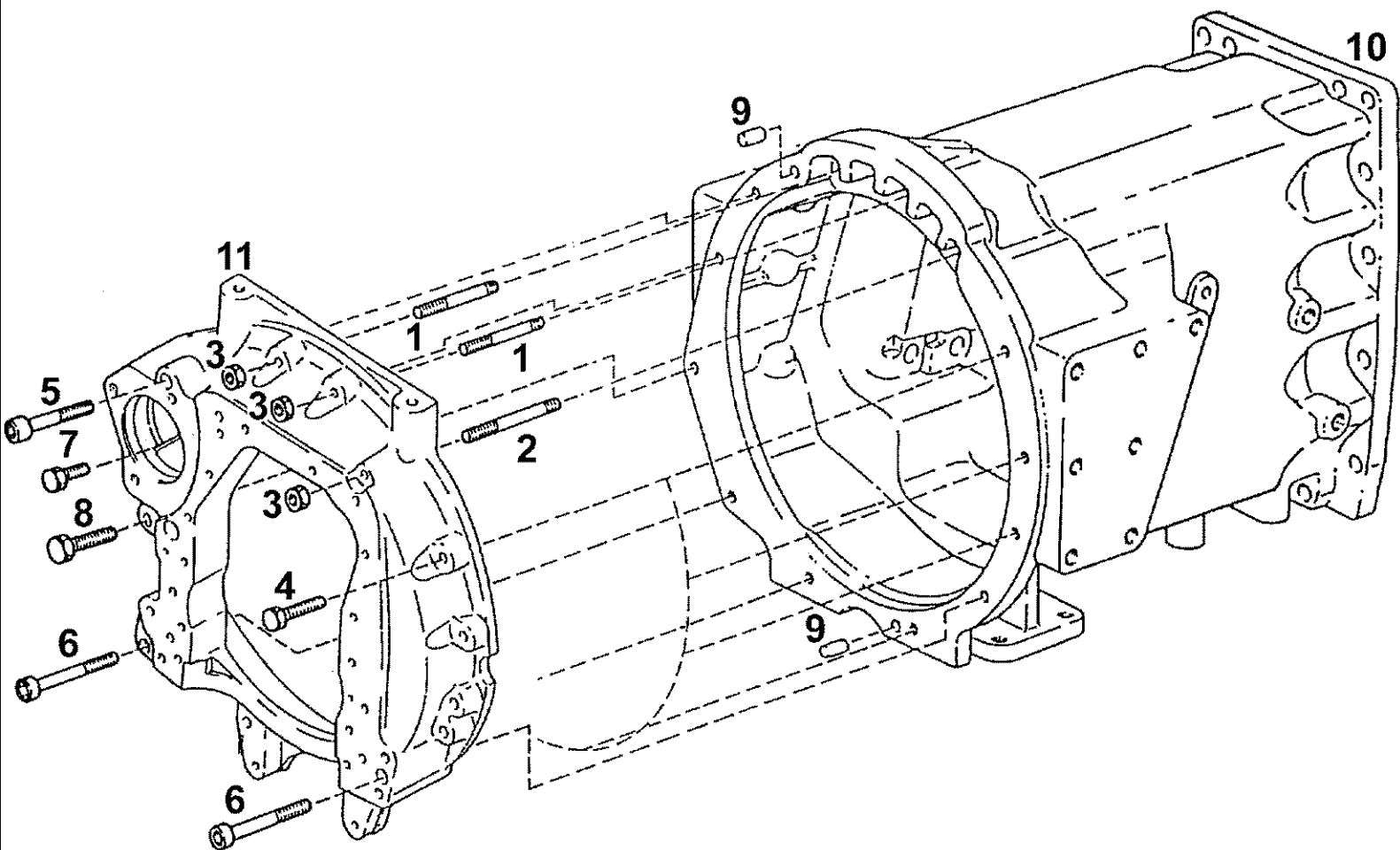




## 05-29(01) FRONT WHEELS, ADJUSTABLE

Ref	Onderdeelnummer	Kwt	Beschrijving
1	135700610091	2	WIELVEL, , W8x28
10	135700610050	2	WIELVEL, , W10x24; Besteht aus/Consists of/Compose de/Bestående af/È composto da 11 - 15
11	NSS	-	NIET ALLEEN VERKRIJGBAAR,
12	NSS	-	NIET ALLEEN VERKRIJGBAAR,
13	135700610713	12	PIN, LARGE,
14	135700610712	12	SLUITRING,
15	135700610711	12	MOER,

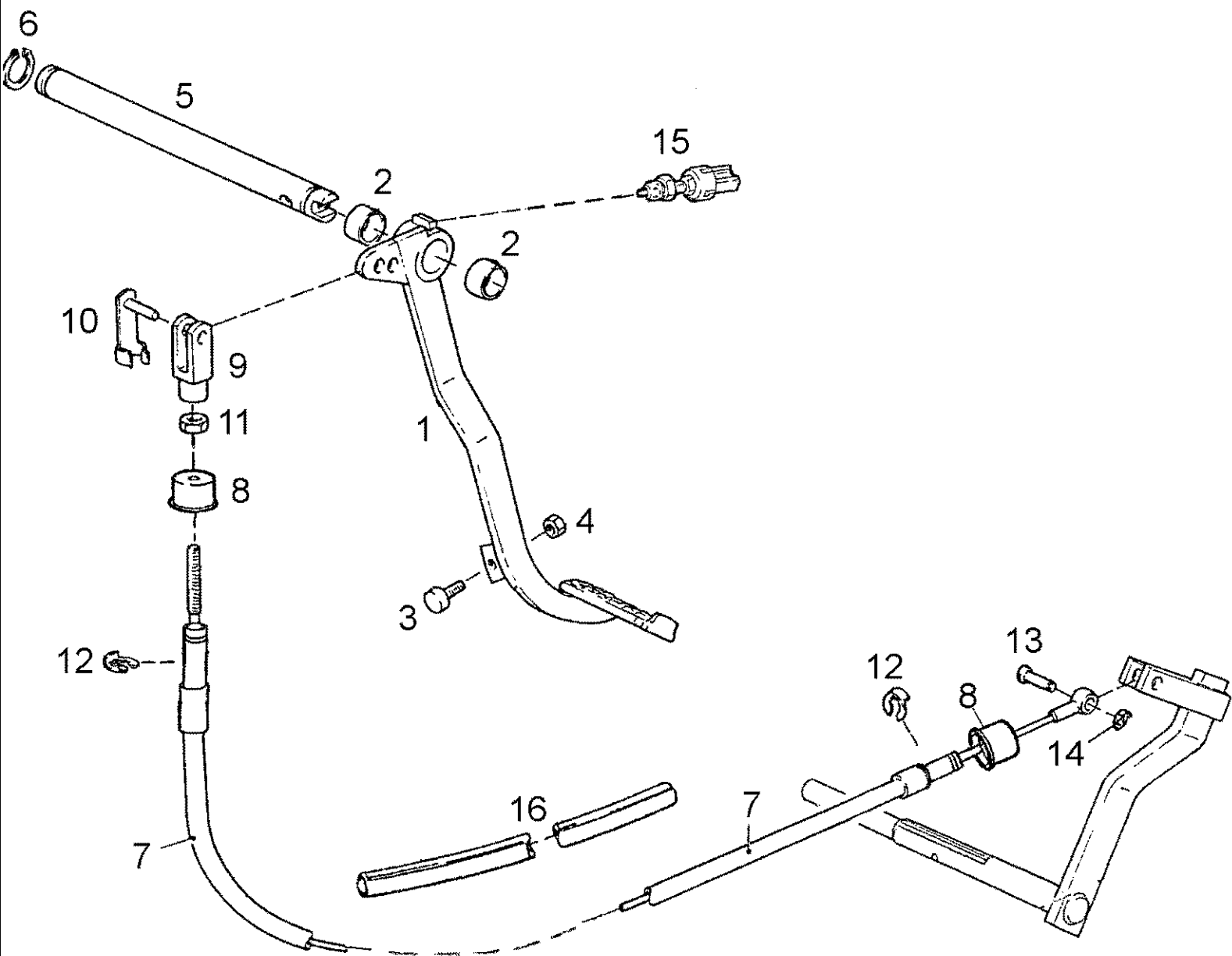




## 06-01(01) ENGINE MOUNTING

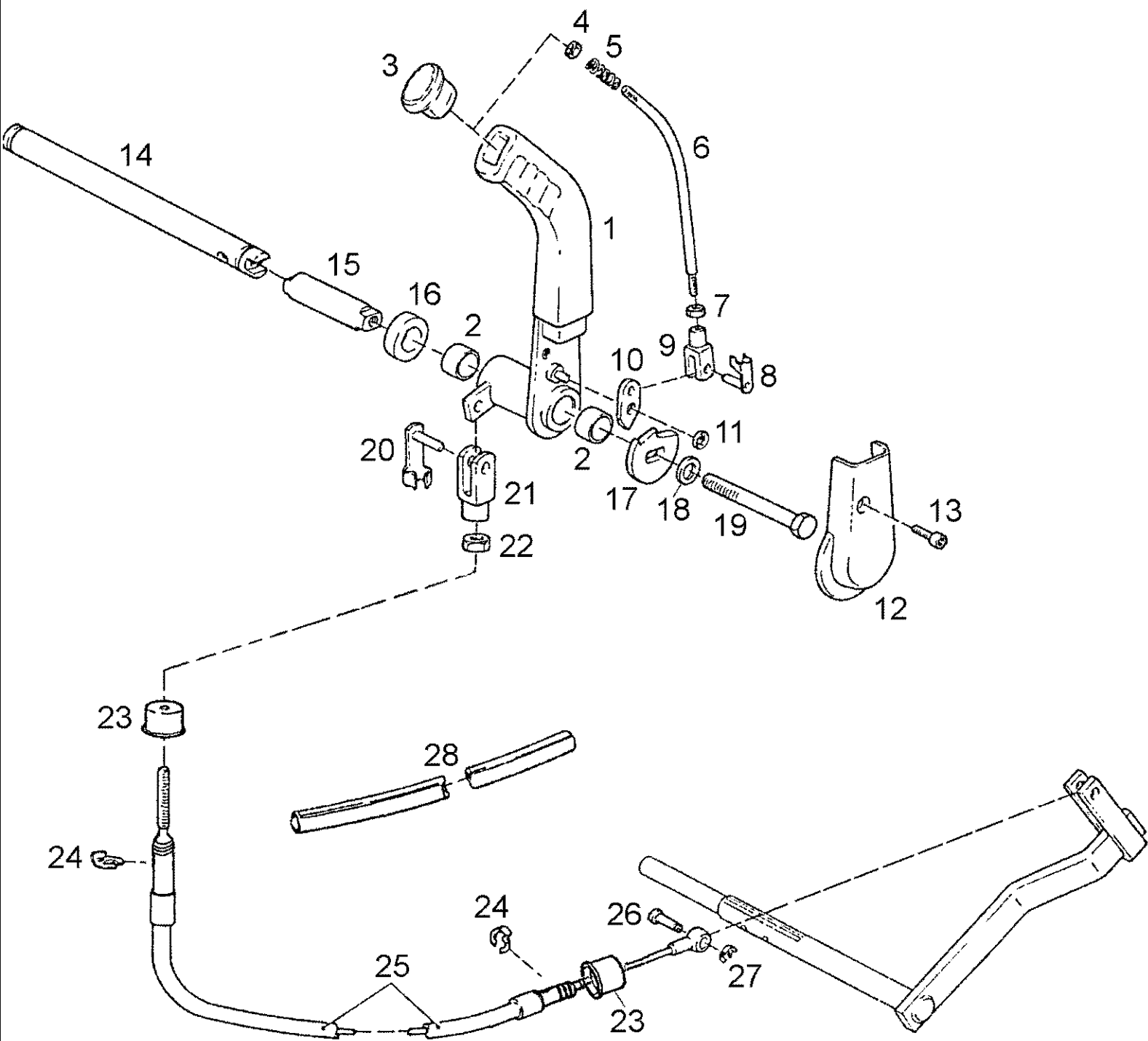
Ref	Onderdeelnummer	Kwt	Beschrijving
1	190003810101	2	TAPEIND, , M12x80-10.9
2	190003810102	1	TAPEIND, , M12x95-10.9-A3C
3	832-41312	3	NUT, LOCK, M12 x 1.75, CI 10,
4	190003802549	5	SCHROEF, , M10x55-8.8
5	190003862569	1	SCHROEF, , M10x95-8.8
6	190003862577	2	SCHROEF, , M10x100-8.8
7	190003802527	1	SCHROEF, , M10x30-8.8
8	190003802651	1	SCHROEF, , M12x55-10.9
9	1-33-121-008	2	STEL PEN,
10	REF	-	INSTRUCTION, , Siehe nächste Seite(n)/See next page(s)/Voir page(s) suivante(s)/Se næste side (r )/Vedere pagin(a/e) sequent(e/i)
11	REF	-	INSTRUCTION, , Siehe Kapitel 02/See Chapter 02/Voir Chapitre 02/Se kapitel 02/Vedere capitolo 02

06-02(01) CLUTCH PEDAL



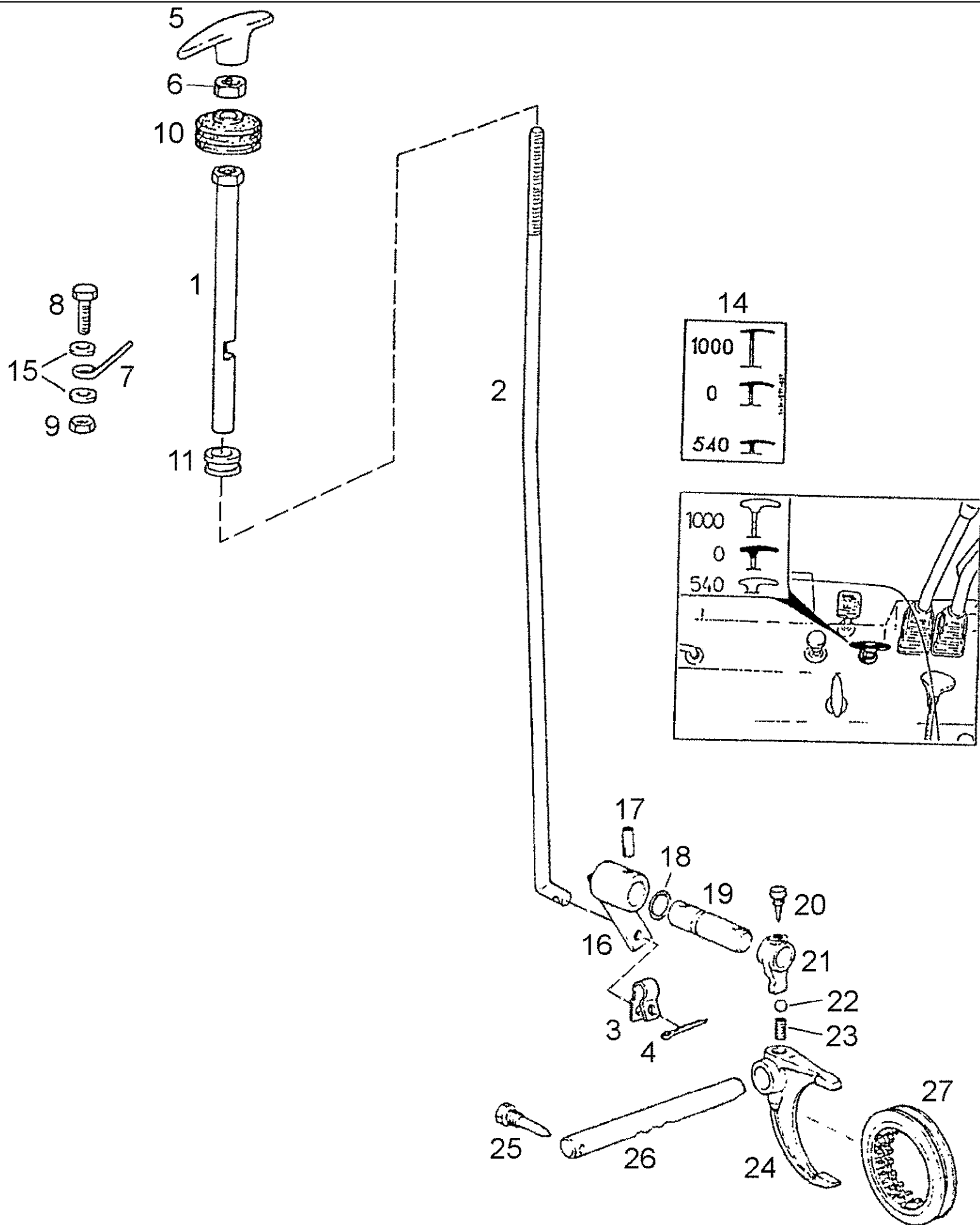
## 06-02(01) CLUTCH PEDAL

Ref	Onderdeelnummer	Kwt	Beschrijving
1	1-34-543-579	1	PEDAL ASSY., , Einschließlich/Includes/Avec/Inklusive/Compreso 2
2	1-34-543-526	2	LAGERBUS,
3	1-34-643-220	1	RUBBEREN LAGERKUSSEN,
4	15896221	1	MOER, M6, CI 10, , M6-8-A2C, DIN934
5	1-34-543-509	1	HENDELSTANG,
6	190003933116	1	BORGVEER, , 25x1,2
7	1-34-543-558	1	ROPE, METAL,
8	1-33-135-260	2	BLAASBALG,
9	190003964444	1	VORK, , G10x40
10	1-34-643-114	1	PIN, LARGE,
11	100016	1	MOER, M10, CI 8,
12	1-34-644-810	2	BORGVEER, , ID=10mm
13	1-34-543-513	1	PIN, LARGE,
14	1-34-543-516	1	VEERRING,
15	REF	-	INSTRUCTION, , Siehe Kapitel 04/See Chapter 04/voir Chapitre 04/Se kapitel 04/Vedere capitolo 04
16	1-33-135-304	1	FLEXIBELE BUIS,

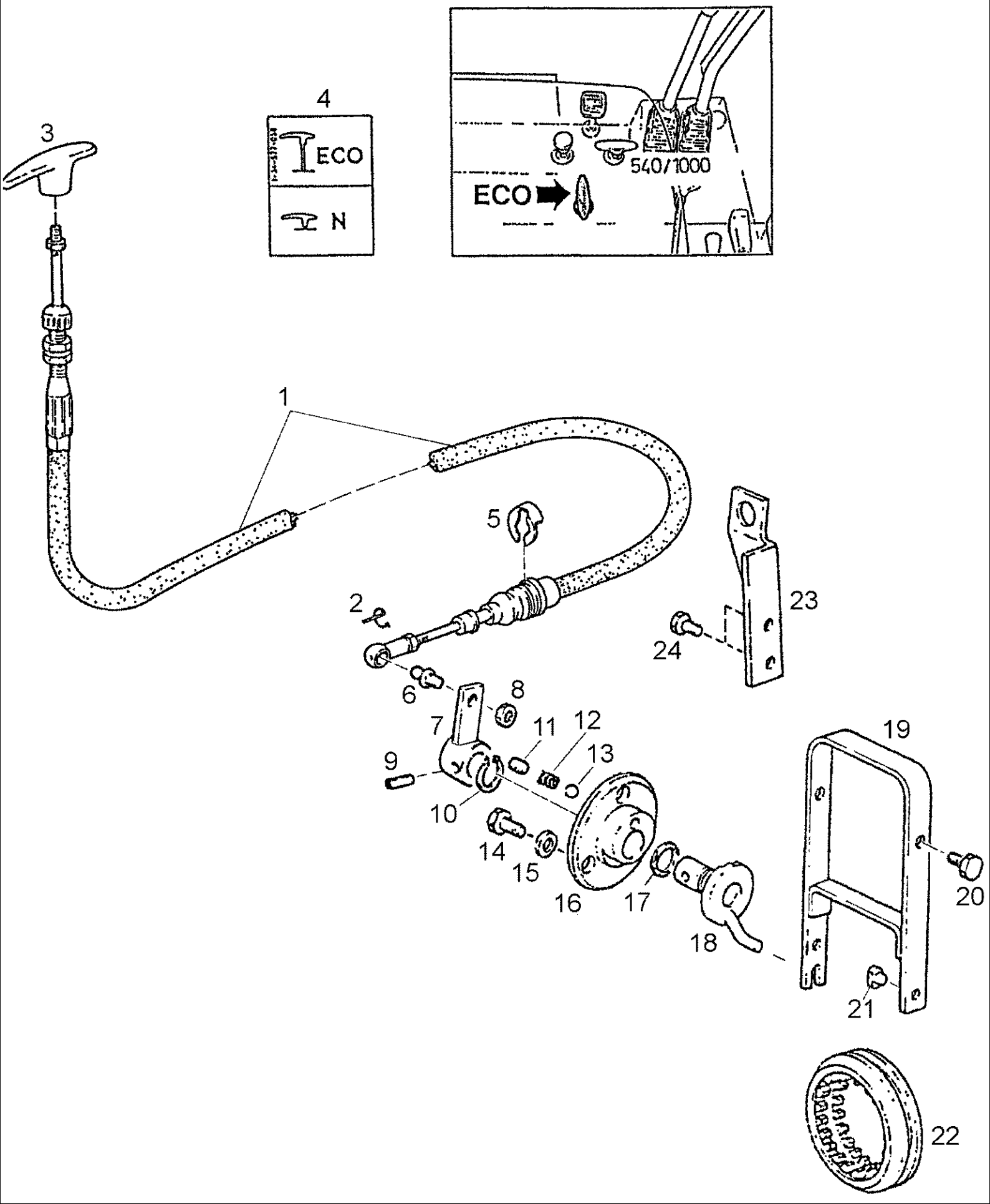




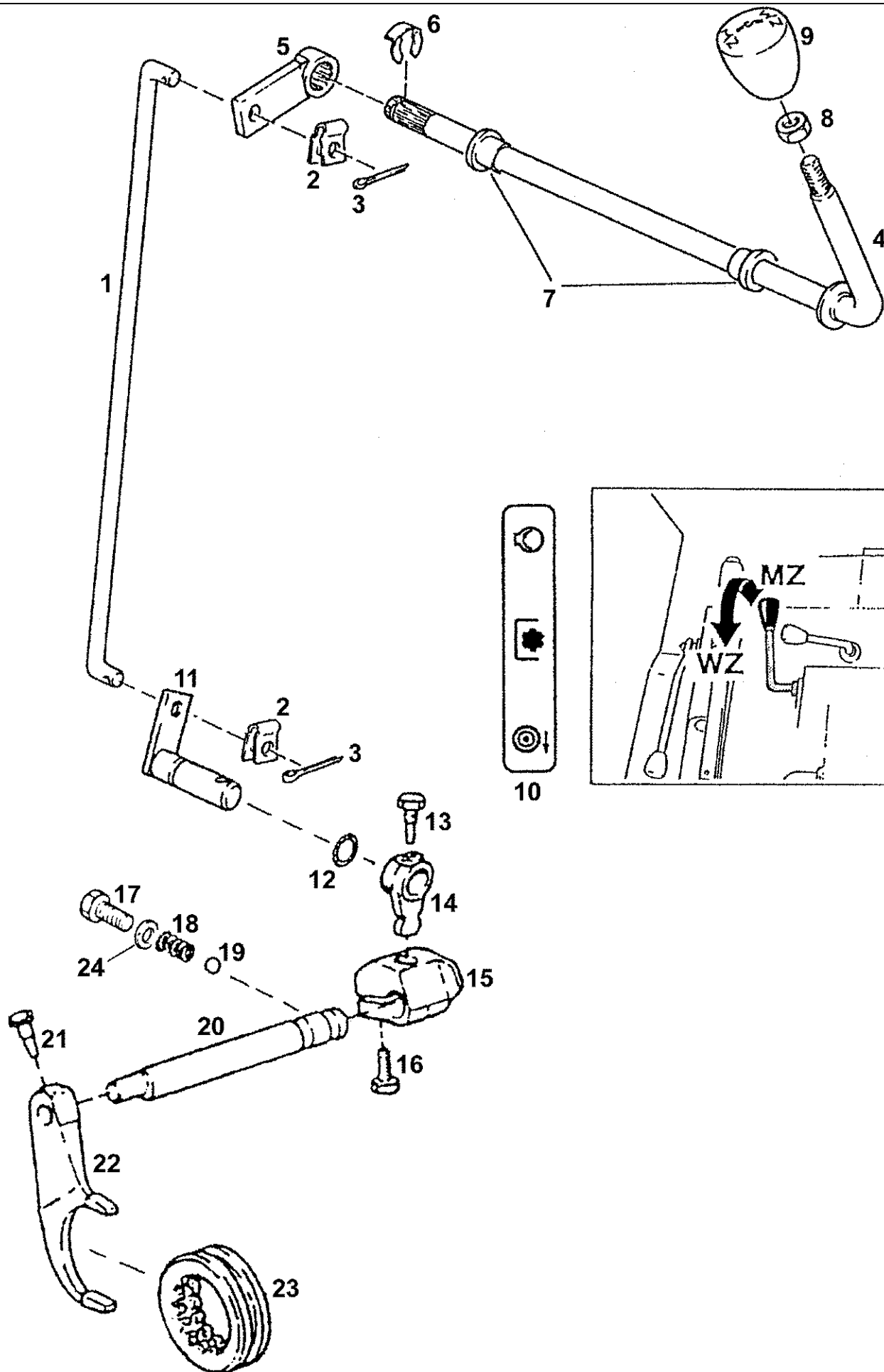
Ref	Onderdeelnummer	Kwt	Beschrijving
1	1-34-544-603	1	HENDEL, COMPLEET + KNOP, , Einschließlich/Includes/Avec/Inklusive/Compreso 2
2	1-34-643-023	2	AFSTANDSRING,
3	1-34-544-337	1	PUSH BUTTON,
4	905852R1	1	MOER, Thin, M8 x 1.25, CI 04, LH, , BM8
5	1185730022	1	SPRING, COMPRESSION,
6	1-34-644-954	1	STANG,
7	15896221	1	MOER, M6, CI 10, , M6-8-A2C, DIN934
8	1-34-644-984	1	PEN, , Ø 6
9	190003964407	1	VORK, , G6x12
10	1-34-644-955	1	HEFBOOM,
11	190003937928	1	SLUITRING, , 8
12	1-34-644-983	1	DEKSEL,
13	190003860160	1	SCHROEF, , M6x25-8.8
14	REF	-	INSTRUCTION, , Siehe Seite(n) vorne/See Page(s) before/Voir Page/s) avant/Se side (r ) forrest/Vedere pagin(a/e) precedent(e/i)
15	1-34-544-602	1	EXTENSION,
16	1-34-543-507	1	LAGER,KOPPELING DRUKPLAA,
17	1-34-544-610	1	DETENT,
18	190003936107	1	SLUITRING, , 10,5
19	190003800588	1	SCHROEF, , M10x125-8.8
20	1-34-643-114	1	PIN, LARGE,
21	190003964444	1	VORK, , G10x40
22	100016	1	MOER, M10, CI 8,
23	1-33-135-260	2	BLAASBALG,
24	1-34-644-810	2	BORGVEER, , ID=10mm
25	1-34-543-558	1	ROPE, METAL,
26	1-34-543-513	1	PIN, LARGE,
27	1-34-543-516	1	VEERRING,
28	1-33-135-304	1	FLEXIBELE BUIS,



Ref	Onderdeelnummer	Kwt	Beschrijving
1	1-34-544-202	1	STOPARM,
2	1-34-544-205	1	STANG,
3	1397750128	1	VEER,
4	190003920221	1	SPLITPEN, , 3,2x18
5	1-99-970-005	1	HENDEL,
6	43362	1	MOER, M8, CI 10,
7	133700272058	1	VEER,
8	190003802336	1	SCHROEF, , M6x25-8.8
9	15896221	1	MOER, M6, CI 10, , M6-8-A2C, DIN934
10	1882270056	1	BLAASBALG,
11	133700272201	1	LAGERBUS,
14	1-34-577-037	1	DECAL,
15	190003936101	2	SLUITRING, , 6,4-140HV-A3C
16	1-34-544-514	1	GELEIDER,
17	190003909684	1	SPANSTIFT, , 8x30
18	1188270029	1	O-RING, , 13x2,5-NBR-70
19	133700270040	1	AS,
20	12700240064	1	SCHROEF,
21	1188270053	1	KOPPELINGSKLAUW, BEWEGEND,
22	190003330148	1	KOGEL, , Ø8,0mm
23	1206240018	1	SPRING, COMPRESSION,
24	133700270088	1	STEEKVORK,
25	1397220061	1	SCHROEF,
26	135700270070	1	AS,
27	REF	-	INSTRUCTION, , Siehe Zapfwellen-Antrieb/See Power Take Off-Drive/Voir Prise De Force-Commande/Se Kraftudtag-drev/Vedere Azionamento della presa di forza

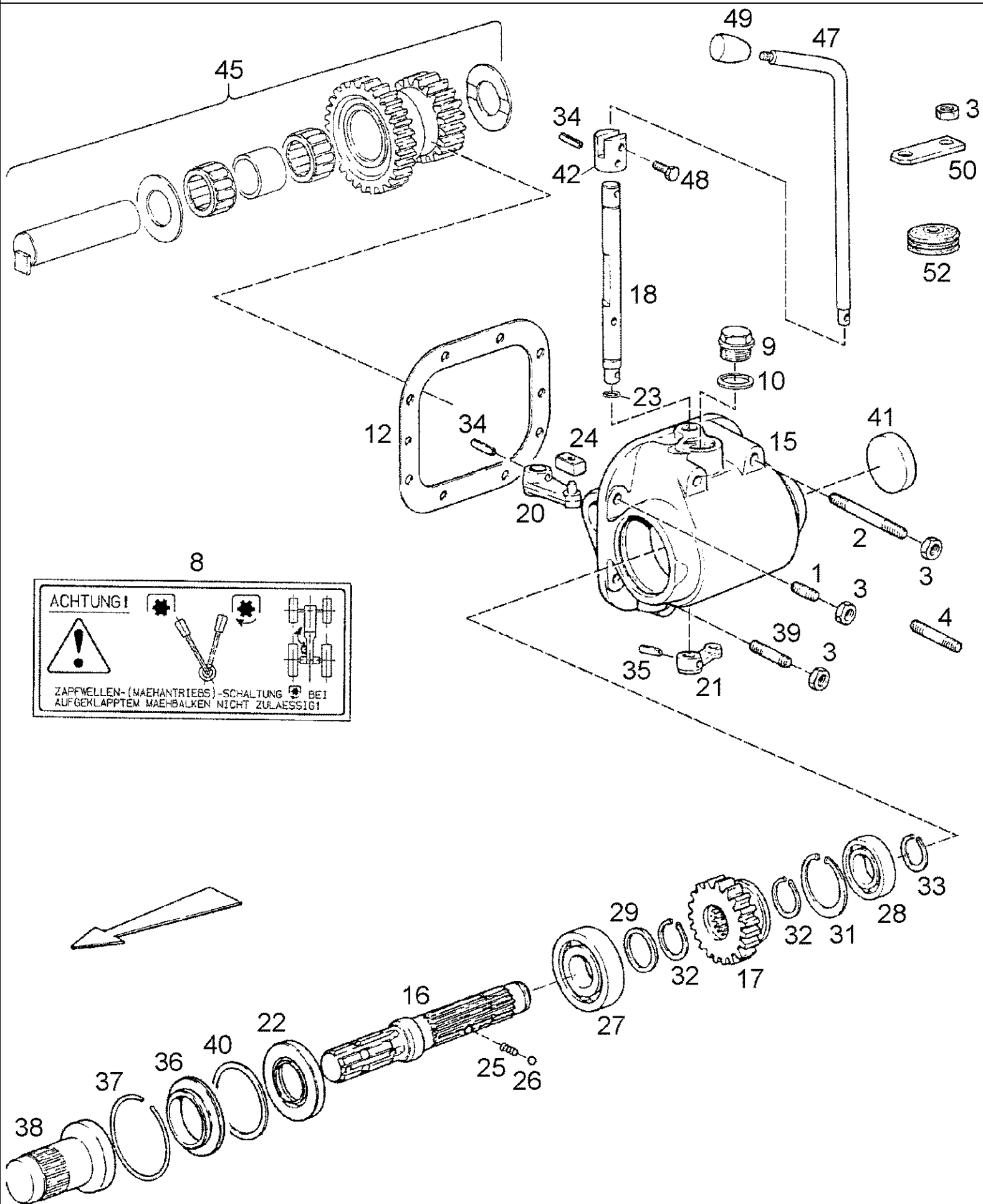


Ref	Onderdeelnummer	Kwt	Beschrijving
1	1-34-544-067	1	REMOTE CONTROL,
2	190003936513	1	SLUITPEN, , S10
3	1-34-544-214	1	HENDEL,
4	1-34-577-038	1	DECAL,
5	1-34-644-811	1	SLUITRING, , ID = 17mm
6	190003963313	1	KOGELHOUDER, , C10
7	153700270047	1	HEFBOOM,
8	15896221	1	MOER, M6, CI 10, , M6-8-A2C, DIN934
9	190003909684	1	SPANSTIFT, , 8x30
10	190003933076	1	SLUITRING, , 18x1,2
11	190003902310	1	SCHROEF, , M10x10
12	1206240018	1	SPRING, COMPRESSION,
13	190003330148	1	KOGEL, , Ø8,0mm
14	120104	3	BOUT, Hex, M8 x 20, 8.8,
15	190003937282	3	SCHIJF, , 8,4
16	135700270068	1	LAGER,
17	1188270029	1	O-RING, , 13x2,5-NBR-70
18	153700270060	1	AS,
19	153700270055	1	STEEKVORK,
20	1406090035	2	SCHROEF,
21	1380290044	2	SLIDE,
22	REF	-	INSTRUCTION, , Siehe Zapfwelle/See power take off/Voir prise de force/Se kraftudtag/Vedere presa di forza
23	153700270049	1	HOEKSTUK,
24	336199	2	BOUT, Hex, M8 x 12, 8.8, Full Thd, , M8x12-8.8



## 06-06(01) CONTROL FOR GROUND SPEED PTO-SHAFT

Ref	Onderdeelnummer	Kwt	Beschrijving
1	1-34-544-227	1	STANG,
2	1397750128	2	VEER,
3	190003920221	2	SPLITPEN, , 3,2x18
4	1-34-544-232	1	AS,
5	1-34-544-229	1	PLAAT, GROOT,
6	1-34-643-001	1	VEERRING, , ID = 8mm
7	1-34-643-110	2	LAGERBUS, , Ø 12,15
8	43362	1	MOER, M8, CI 10,
9	1188270017	1	HEFBOOM,
10	1-34-677-634	1	SYMBOLLEN,
11	153700270059	1	HEFBOOM,
12	1188270029	1	O-RING, , 13x2,5-NBR-70
13	12700240064	1	SCHROEF,
14	1188270053	1	KOPPELINGSKLAUW, BEWEGEND,
15	133700270249	1	AANDRIJFKLAUW,
16	43127	2	BOUT, Hex, M8 x 25, 8.8,
17	11106231	1	BOUT, Hex, M10 x 25, 10.9, Full Thd, , M10x25-8.8
18	1206240018	1	SPRING, COMPRESSION,
19	190003330000	1	KOGEL, , Ø7,5mm
20	153700270011	1	STANG,
21	12700240064	1	SCHROEF,
22	133700270178	1	STEEKVORK,
23	REF	-	INSTRUCTION, , Siehe Zapfwelle/See power take off/Voir prise de force/Se kraftudtag/Vedere presa di forza
24	190003098011	1	DICHTINGSRING, , A10x16-CU





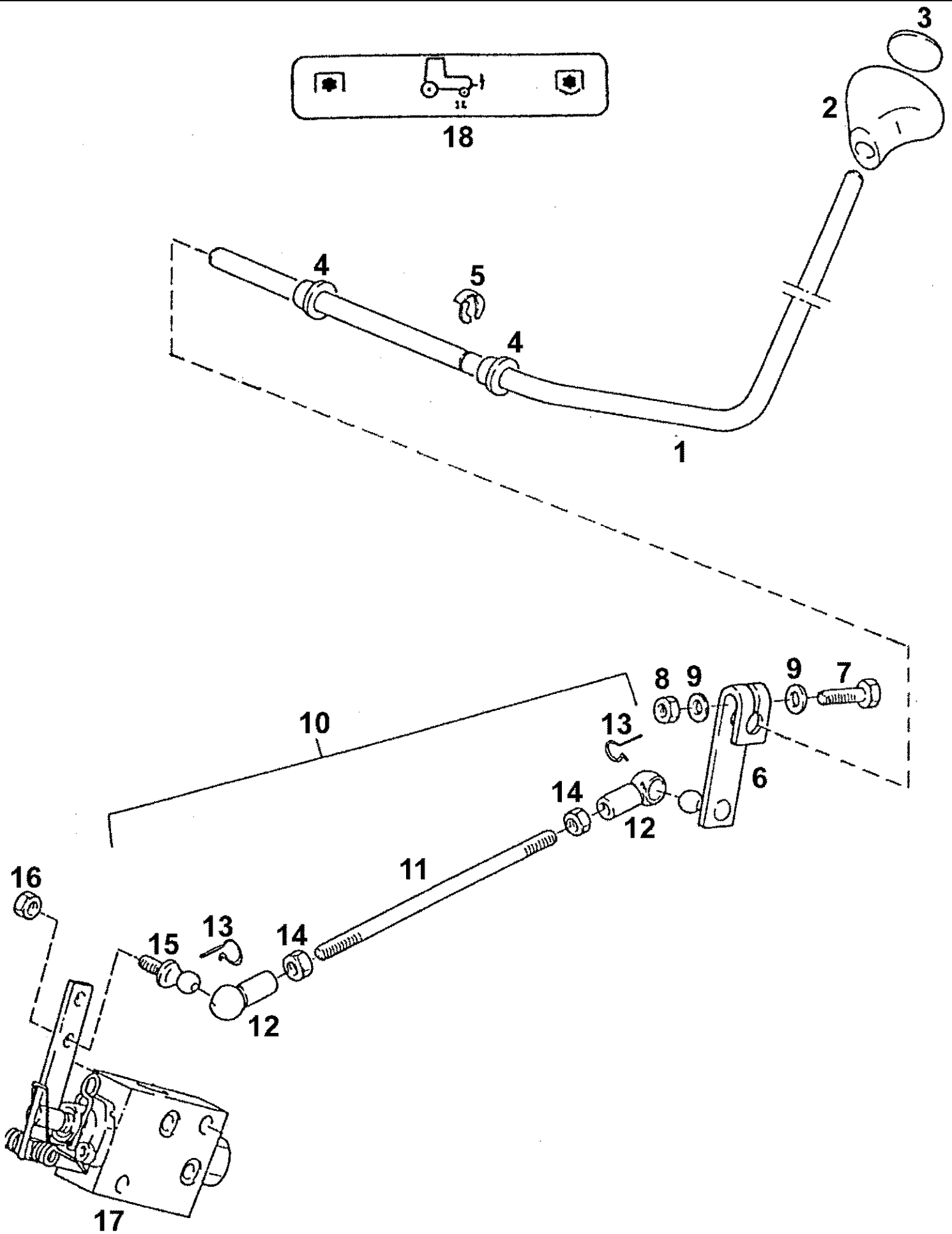
## 06-07(01) TRANSMISSION FOR MID-MOUNTED MOWER

Ref	Onderdeelnummer	Kwt	Beschrijving
	1-33-127-002	1	AFTAKAS, , Besteht aus/Consists of/Compose de/Bestående af/È composto da 1 - 4, 9, 10, 15 - 42
	133700272075	1	AFTAKAS, , Besteht aus/Consists of/Compose de/Bestående af/È composto da 9, 10, 15 - 38, 40 - 42
1	190003813628	4	TAPEIND, , M12x30-8.8
2	190003813681	2	TAPEIND, , M12x105-10.9
3	337475	6	MOER, M12, CI 10,
3	190003871344	3	MOER, , M12-10
4	190003813155	1	TAPEIND, , M12x60-8.8
8	1-35-178-101	1	DECAL,
9	190003962051	1	AFTAPPLUG, , C-M30x1,5
10	190003098086	1	DICHTINGSRING, , A30x36-CU
12	133700270047	1	SLUITRING, , 0,1mm
12	133700270048	1	SLUITRING, , 0,2mm
15	133700270280	1	HUIS,
16	133700270073	1	AFTAKAS,
17	133700270074	1	TANDWIEL, , 20 T
18	133700270276	1	AS,
20	133700270076	1	HEFBOOM,
21	133700270007	1	HEFBOOM,
22	190003078425	1	DICHTINGSSTUK,
23	1288730061	2	O-RING,
24	1288270047	1	LEISLOF,
25	1206240018	1	SPRING, COMPRESSION,
26	190003330148	1	KOGEL, , Ø 8,0mm
27	190003311521	1	LAGER,
28	190003311518	1	LAGER, KOGEL,
29	1292220091	1	WASHER, THRUST,
31	190003934360	1	SLUITRING, , 72x2,5
32	190003933251	2	RING, SNAP, , 35x1,5
33	190003933200	1	RING, SNAP, , 30x1,5
34	190003909628	2	SPANSTIFT, , 6x28
35	190003909661	1	SPANSTIFT, , 6x24
36	133700270112	1	BUSHING, LARGE,
37	190003936074	1	VEERRING, , B80
38	1288270096	1	COVER, PROTECTIVE,
39	190003813647	1	TAPEIND, , M12x55-10.9
40	1397270071	1	SLUITRING, , 0,1 mm
40	1397270072	1	SLUITRING, , 0,5 mm
41	190003989286	1	PLUG, , 60/8-ST
42	133700270098	1	LAGER,KOPPELING DRUKPLAA,
45	REF	-	INSTRUCTION, , Siehe Zapfwelle/See power take off/Voir prise de force/Se kraftudtag/Vedere presa di forza

M968 STEYR TRACTOR / --->04939 (6/97-3/99) - Aandrijflijn

06-07(01) TRANSMISSION FOR MID-MOUNTED MOWER

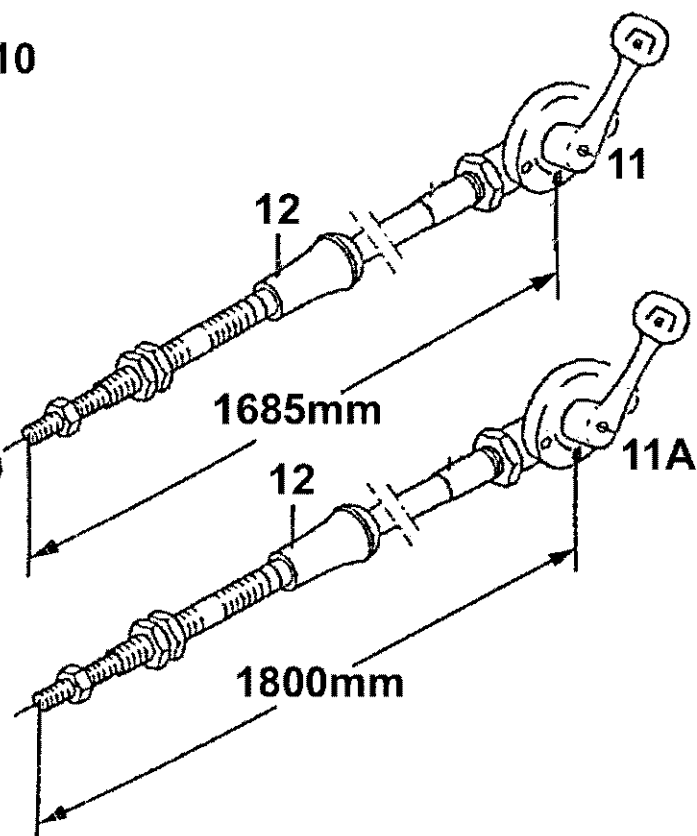
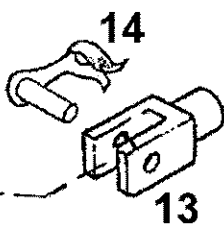
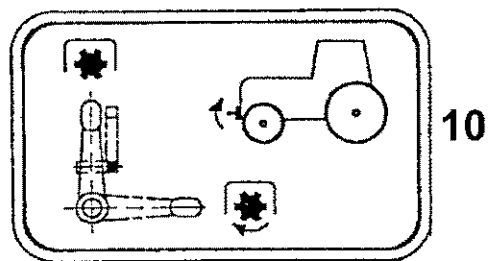
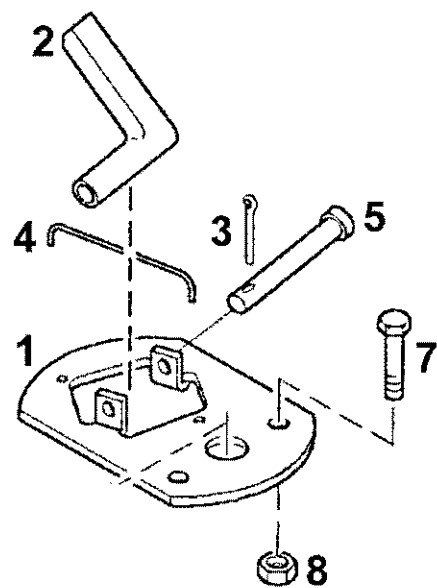
Ref	Onderdeelnummer	Kwt	Beschrijving
47	1-33-127-003	1	LEVER, CONTROL,
48	120100	1	BOUT, Hex, M6 x 20, 8.8,
49	1280570036	1	GRIP,
50	133700272072	1	VERWISSELBAAR RISTERVOORS,
52	1882270056	1	BLAASBALG,



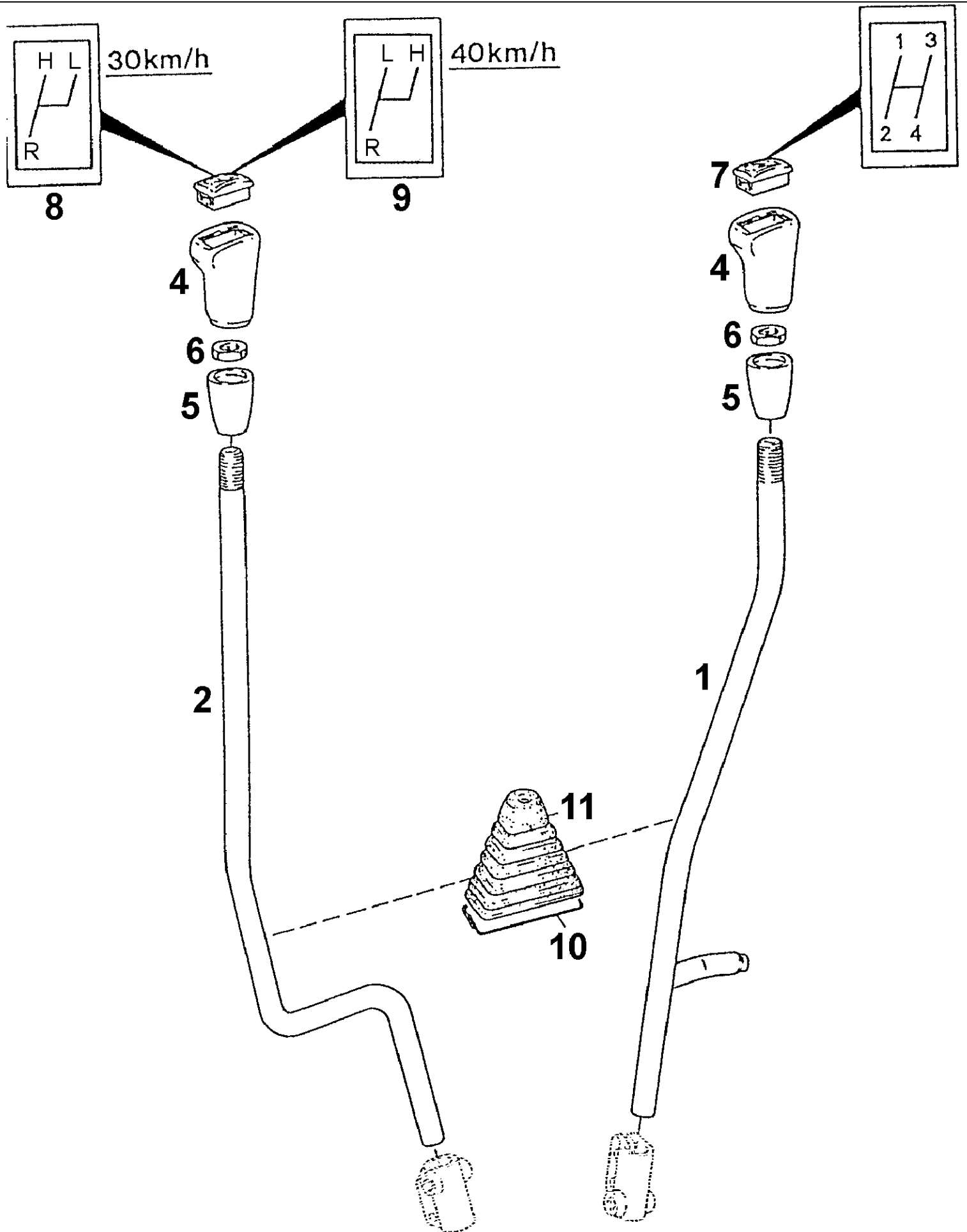
M968 STEYR TRACTOR / --->04939 (6/97-3/99) - Aandrijflijn

06-08(01) FRONT P.T.O. ACTUATING / ---->03448 (WITHOUT 03444, 03445)

Ref	Onderdeelnummer	Kwt	Beschrijving
1	1-34-544-235	1	AS,
2	1-34-644-862	1	HENDEL,
3	1-34-644-068	1	SYMBOLLEN,
4	1-34-643-110	3	LAGERBUS, , Ø 12,15
5	1-34-643-001	1	VEERRING, , ID = 8mm
6	1-34-543-045	1	HEFBOOM,
7	43128	1	BOUT, Hex, M8 x 30, 8.8,
8	190003888451	1	MOER, , VM8-8
9	190003930261	2	SLUITRING, , A8,4
10	1-34-544-234	1	STANG, , Besteht aus/Consists of/Compose de/Bestående af/È composto da 11 - 15
11	NSS	-	NIET ALLEEN VERKRIJGBAAR,
12	190003963616	2	KOGELPEN, , B10
13	190003936512	2	BAIL, , S10
14	15896221	2	MOER, M6, CI 10, , M6-8-A2C, DIN934
15	190003963313	1	KOGELHOUDER, , C10
16	15896221	2	MOER, M6, CI 10, , M6-8-A2C, DIN934
17	REF	-	INSTRUCTION, , Siehe Steuergeräte-Einbau/See regulator valve-built-in/Distributeur-Incorporation/Styreenhed Montering/Centralina Montaggio
18	1-34-677-600	1	SYMBOLLEN,



Ref	Onderdeelnummer	Kwt	Beschrijving
	1-35-127-214	1	ZEKERING, , Besteht aus/Consists of/Compose de/Bestående af/È composto da 1 - 5
1	1-35-127-212	1	HOUDER,
2	1-35-127-211	1	GRIP,
3	190003920023	1	SPLITPEN, , 1,2x10
4	1-35-127-213	1	VEER,
5	190003900417	1	PIN, CROSS, , 5h11x40x37
7	190003822278	2	SCHROEF, , AM5x35-4.8
8	825-1405	2	MOER, M5, CI 8,
9	199100360174	1	KLEM,
10	1-35-127-137	1	SYMBOLLEN,
11	1-35-127-210	1	REMOTE CONTROL, , ---->04538; Einschließlich/Includes/Avec/Inklusive/Compreso 12
11A	1-35-127-216	1	BOWDENBEDIENING, , 04539 ---->; Einschließlich/Includes/Avec/Inklusive/Compreso 12
12	1-40-277-120	1	KABELDOORGANG, , Q48
13	190003964480	1	CRADLE, , G5x20
14	1-35-127-215	1	PIN, CLEVIS,
15	REF	-	INSTRUCTION, , Siehe Steuergeräte-Einbau/See regulator valve-built-in/Distributeur-Incorporation/Styreenhed Montering/Centralina Montaggio



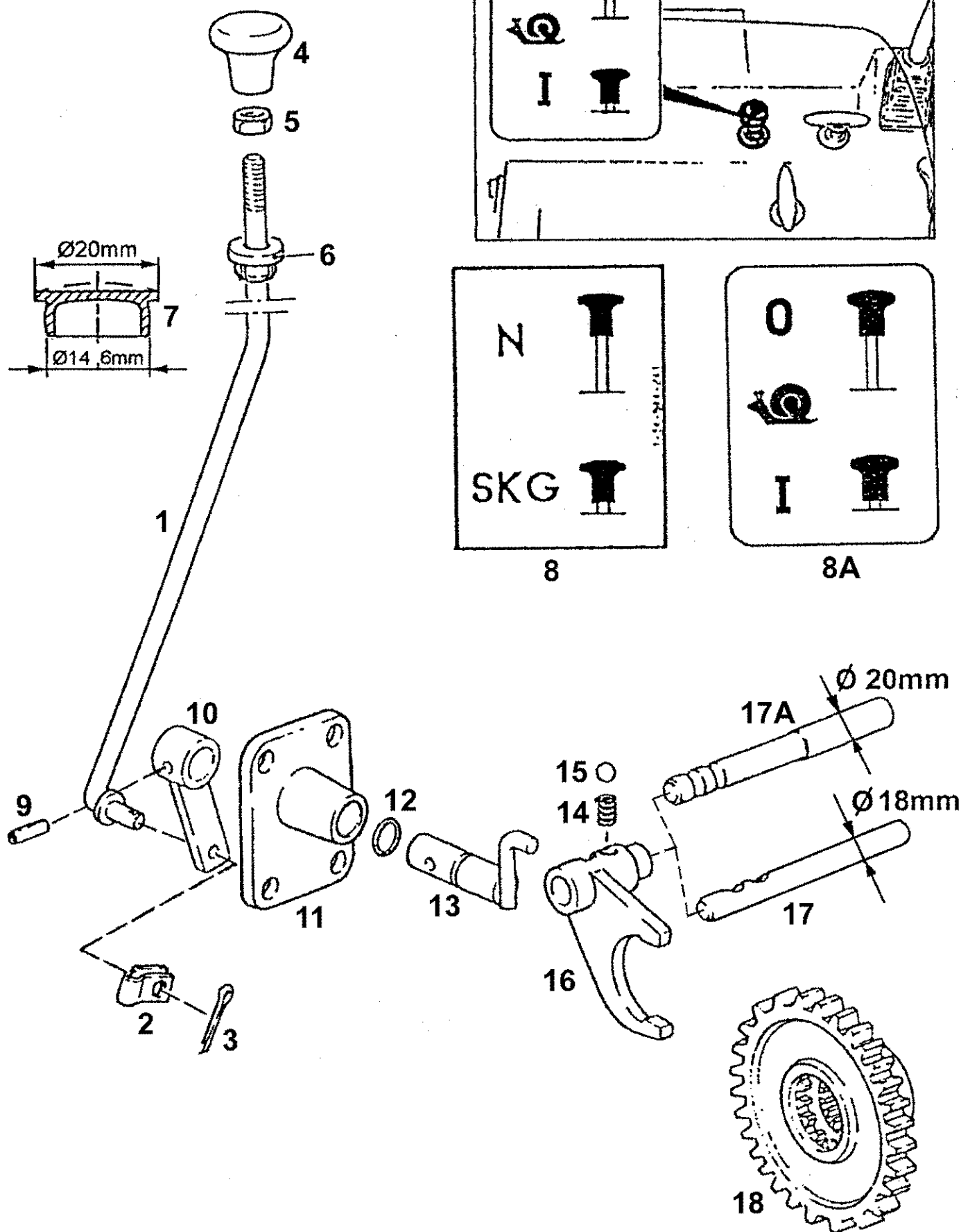
## 06-10(01) GEAR SHIFT LEVER

Ref	Onderdeelnummer	Kwt	Beschrijving
1	1-34-544-218	1	SPEED CHANGE LEVER,
2	1-34-544-220	1	SPEED CHANGE LEVER,
4	1-34-144-100	2	GRIP,
5	1-34-144-099	2	KABELDOORGANG,
6	1-34-144-098	2	MOER,
7	1-34-644-070	1	SYMBOLLEN,
8	1-34-644-077	1	SYMBOLLEN,
9	1-34-644-076	1	SYMBOLLEN,
10	1-34-544-236	2	STAALDRAAD,
11	1-34-427-100	2	BLAASBALG,



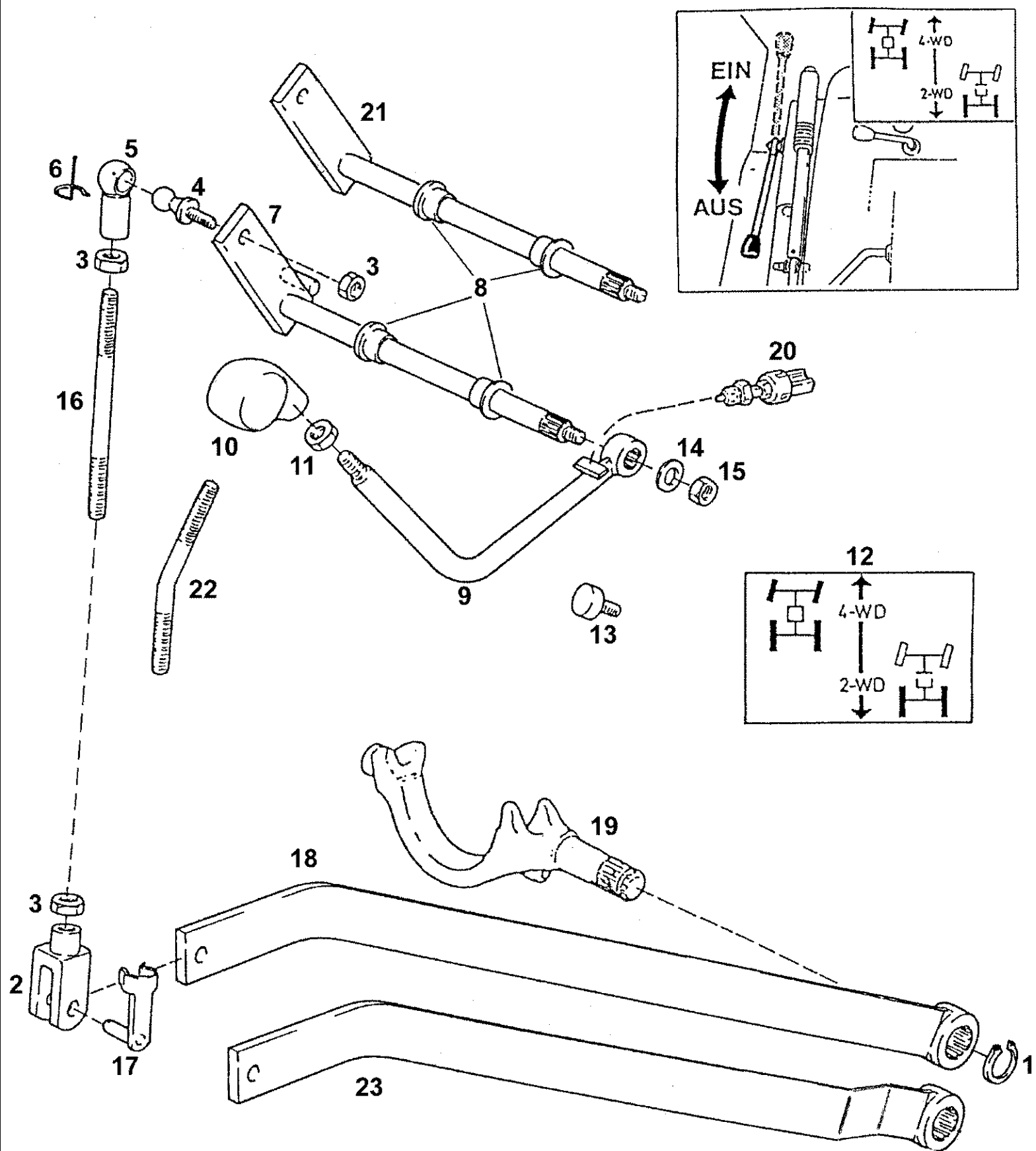


Ref	Onderdeelnummer	Kwt	Beschrijving
1	1-34-544-407	1	HEFBOOM,
2	1-34-544-409	2	LAGERBUS,
3	1-34-544-402	1	AANDRIJFKLAUW,
4	1-34-544-211	1	STANG,
5	190003909650	1	SPANSTIFT, , 6x26
6	1-34-544-327	1	HENDEL,
7	43362	1	MOER, M8, CI 10,
8	190003930261	1	SLUITRING, , A8,4
9	190003920221	1	SPLITPEN, , 3,2x18
10	190003963623	1	KOGELGEWRICHT, , B13
11	190003936514	1	SCHARNIER, , S13
12	43362	1	MOER, M8, CI 10,
13	133700240147	1	HEFBOOM,
14	1188270029	1	O-RING, , 13x2,5-NBR-70
15	133700240080	1	STANG,
16	190003960802	1	WOODRUFF KEY, , 3x6,5
17	12700240064	1	SCHROEF,
18	1188270053	1	KOPPELINGSKLAUW, BEWEGEND,
19	133700240086	1	STEEKVORK,
20	1206240018	1	SPRING, COMPRESSION,
21	190003330148	1	KOGEL, , Ø8,0mm



## 06-12(01) CREEP SPEED SHIFTER LEVER

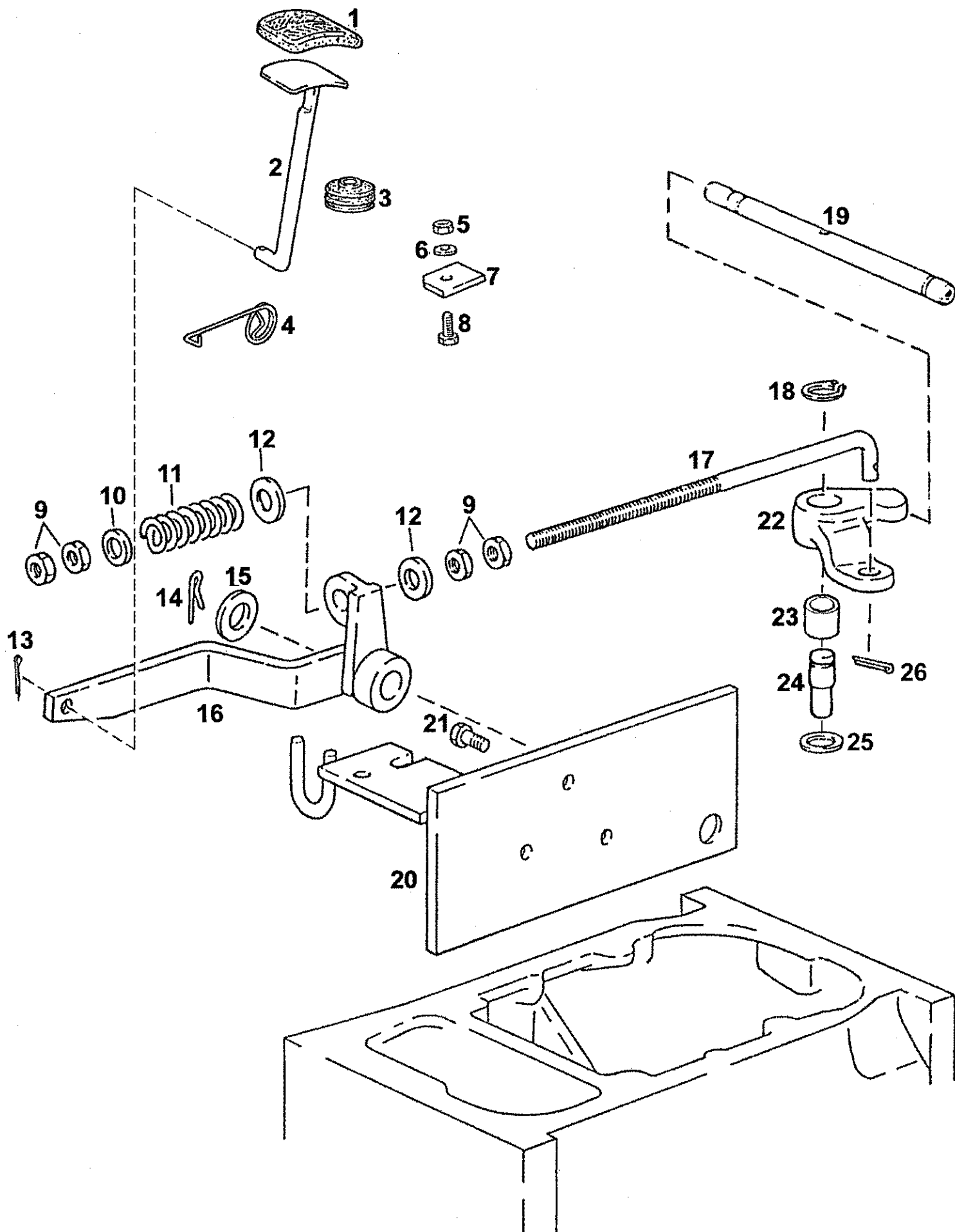
Ref	Onderdeelnummer	Kwt	Beschrijving
1	1-34-544-238	1	STANG,
2	1397750128	1	VEER,
3	190003920221	1	SPLITPEN, , 3,2x18
4	1397750046	1	HENDEL,
5	43362	1	MOER, M8, CI 10,
6	137700750100	1	LAGERBUS,
7	190003171679	1	PLUG, , A14,6x9,5
8	1-34-544-241	1	SYMBOLLEN,
8A	1-34-577-405	1	SYMBOLLEN,
9	190003909684	1	SPANSTIFT, , 8x30
10	153700280025	1	HEFBOOM,
11	153700280007	1	COVER,
12	181500130116	1	O-RING,
13	153700280009	1	LEVER, CONTROL,
14	11800240023	1	VEER,
15	190003330183	1	KOGEL, , Ø10mm
16	153700280010	1	STEEKVORK,
17	153700280012	1	PIN, PIVOT, , ---->.....
17A	153700280026	1	PIN, PIVOT, , .....---->
18	REF	-	INSTRUCTION, , Siehe Kriechgang/See creep speed/Voir reducteur de vitesse/Se krybegang/Vedere prima ridotta



## 06-13(01) MECHANICAL FRONT DRIVE ACTUATING

Ref	Onderdeelnummer	Kwt	Beschrijving
1	190003933083	1	SLUITRING, , 19x1,2
2	190003964423	1	GAFFEL, , G8x32
3	43362	3	MOER, M8, CI 10,
4	190003963316	1	KOGELGEWRICHT, , C13
5	190003963623	1	KOGELGEWRICHT, , B13
6	190003936514	1	SCHARNIER, , S13
7	1-34-544-225	1	TUIMELAARSTANG,
8	1-34-643-110	2	LAGERBUS, , Ø 12,15
9	1-34-544-504	1	HEFBOOM,
10	1397730120	1	HENDEL,
11	905852R1	1	MOER, Thin, M8 x 1.25, CI 04, LH, , BM8
12	1-34-477-110	1	DECAL,
13	1-34-643-012	1	AFSCHERMING,
14	190003930261	1	SLUITRING, , A8,4
15	190003888451	1	MOER, , VM8-8
16	159000350055	1	SCHROEFSTANG,
17	133700290129	1	PIN, LARGE, , 8x32
18	1-34-544-213	1	LEVER ASSY.,
19	REF	-	INSTRUCTION, , Siehe Allradantrieb/See all-wheel-drive/Voir quatre-roues directrices/Se firhjulstræk/Vedere trazione integrale
20	REF	-	INSTRUCTION, , Siehe Kapitel 04/See Chapter 04/voir Chapitre 04/Se kapitel 04/Vedere capitolo 04
21	1-33-127-008	1	SHAFT ASSY., , Mit Anbaumähwerk/With mid-mounted mower/Avec Faucheuse latérale portée
22	1-33-127-007	1	SCHROEFSTANG, , Mit Anbaumähwerk/With mid-mounted mower/Avec Faucheuse latérale portée
23	1-33-127-006	1	LEVER ASSY., , Mit Anbaumähwerk/With mid-mounted mower/Avec Faucheuse latérale portée

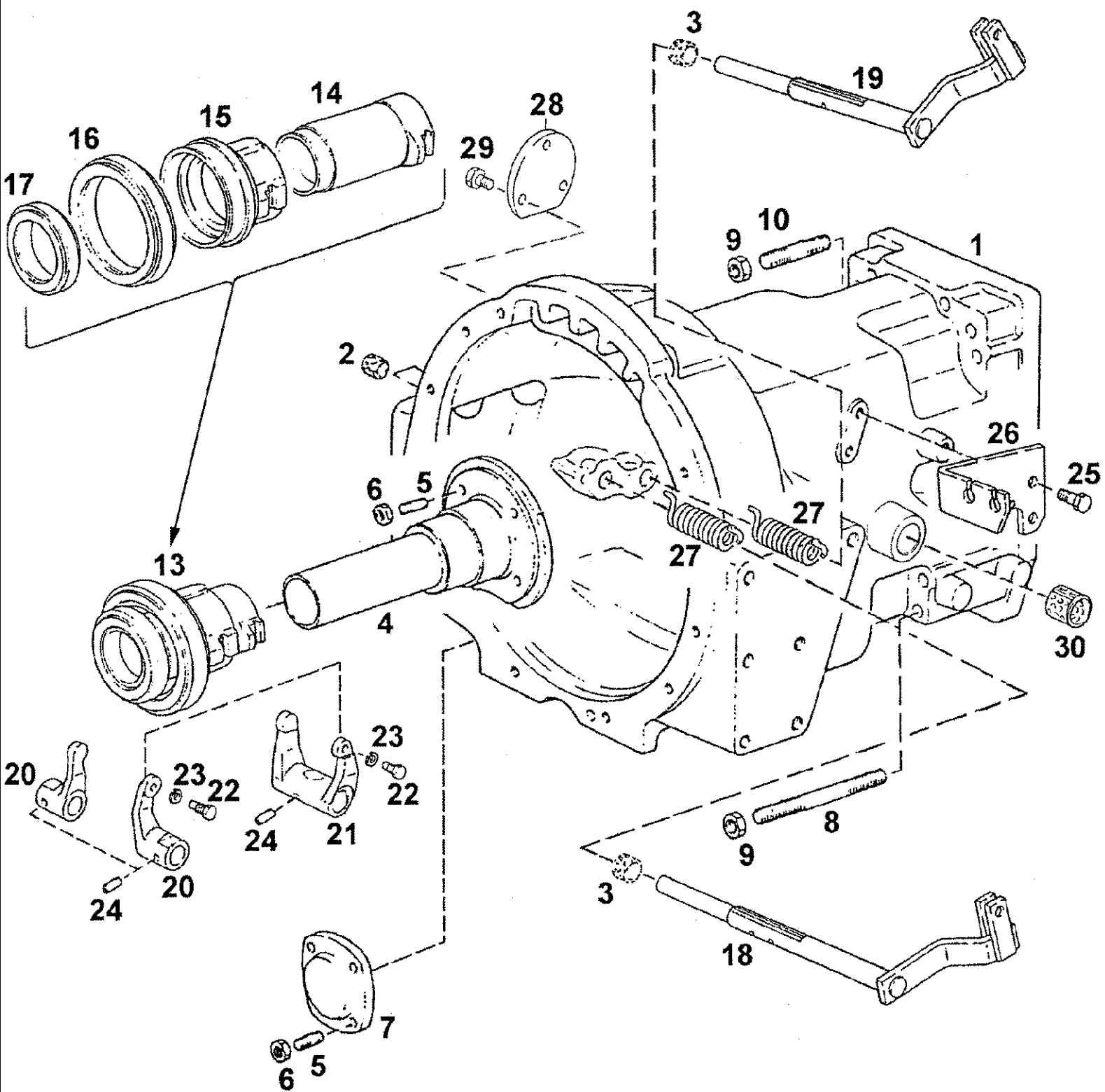
06-14(01) DIFFERENTIAL BLOCKING, ACTUATING



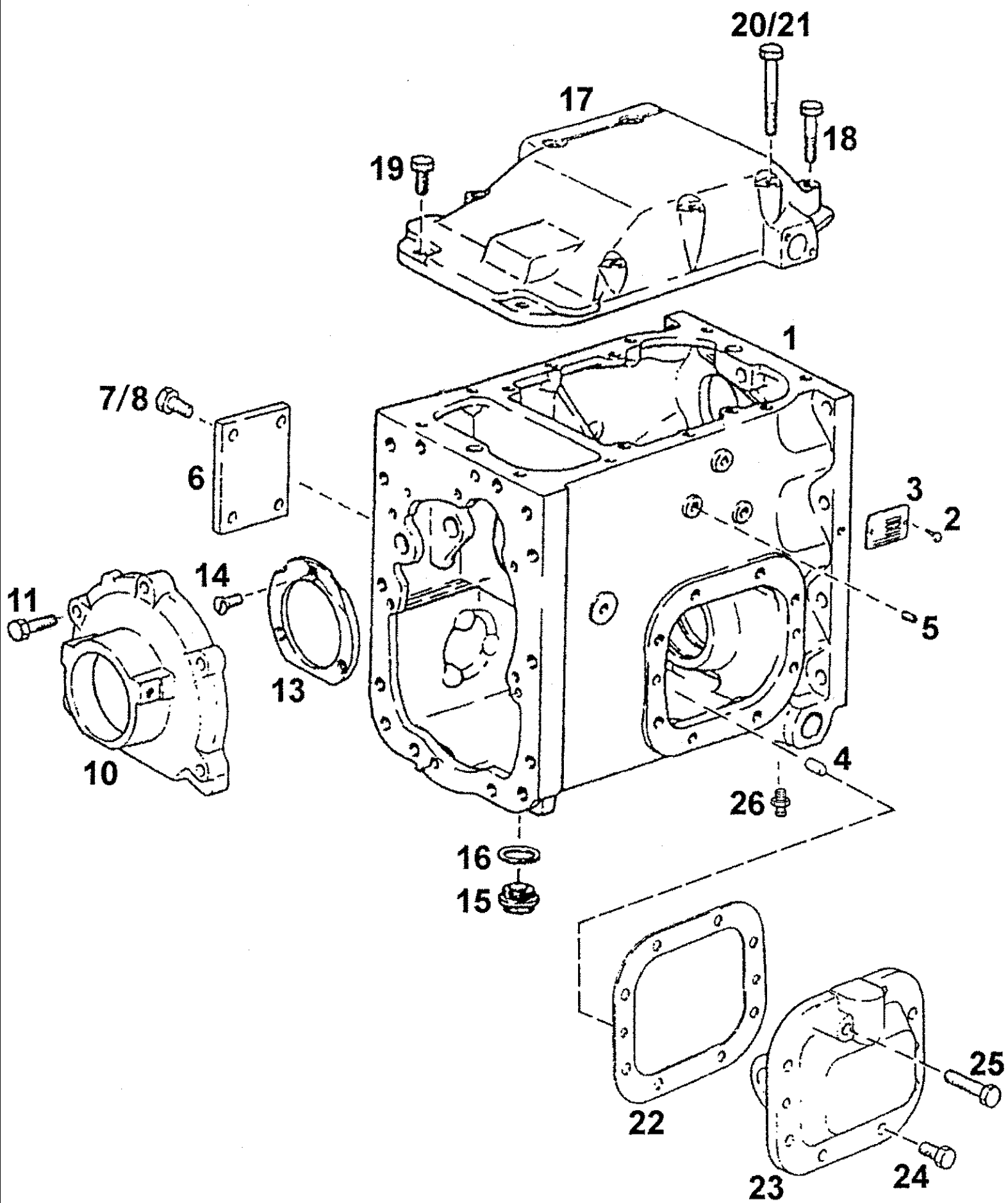
## 06-14(01) DIFFERENTIAL BLOCKING, ACTUATING

Ref	Onderdeelnummer	Kwt	Beschrijving
1	1-34-444-035	1	RUBBER,
2	1-34-544-207	1	PLAAT, GROOT,
3	1882270056	1	BLAASBALG,
4	1-34-444-042	1	VEER,
5	15896221	1	MOER, M6, CI 10, , M6-8-A2C, DIN934
6	190003936101	1	SLUITRING, , 6,4-140HV-A3C
7	1-34-544-536	1	PLAAT,
8	190003802336	1	SCHROEF, , M6x25-8.8
9	100016	4	MOER, M10, CI 8,
10	1-99-907-035	1	SCHIJF,
11	1-34-444-023	1	SPRING, COMPRESSION,
12	190003936107	2	SLUITRING, , 10,5
13	190003920012	2	SPLITPEN, , 3,2x18
14	190003920421	1	SPLITPEN, , 5x32
15	190003930211	1	SCHIJF, , A21
16	153700320041	1	HEFBOOM,
17	1-34-644-800	1	THREADED ROD,
18	190003933100	1	RING, SNAP, , 20x1,2
19	REF	-	INSTRUCTION, , Siehe Hinterachsantrieb/See rear-axle drive/Voir propulsion arriere/Se baghjúlstræk/Vedere trazione posteriore
20	1-34-544-069	1	KONSOLE
21	120104	3	BOUT, Hex, M8 x 20, 8.8,
22	1-34-444-072	1	HEFBOOM, , Einschließlich/Includes/Avec/Inklusive/Compreso 23
23	1680360181	1	LAGERBUS,
24	153700330017	1	PIN, LARGE,
25	1586230022	1	SCHIJF,
26	190003920012	1	SPLITPEN, , 3,2x18

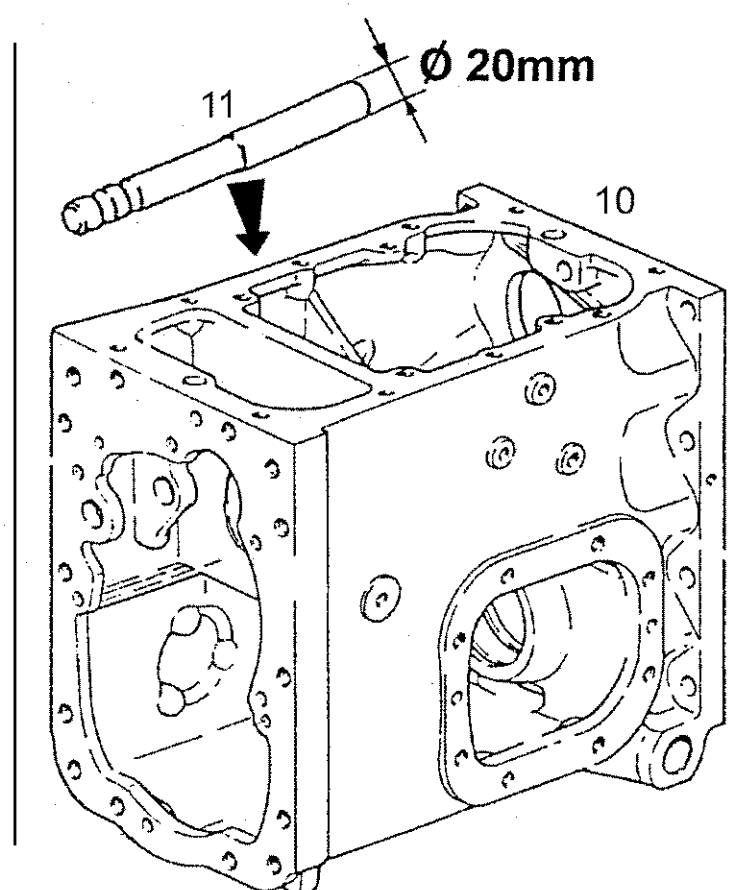
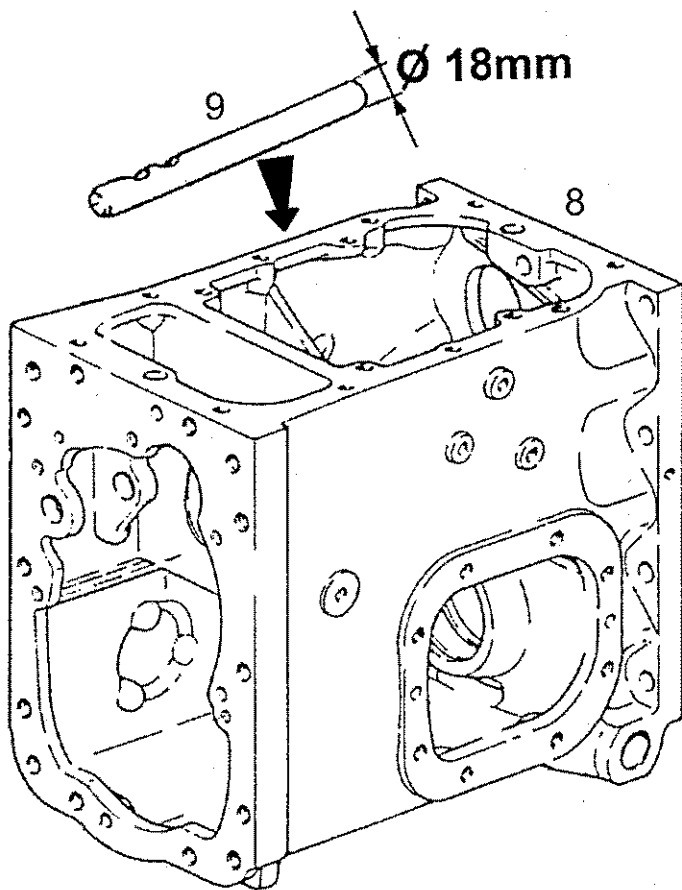
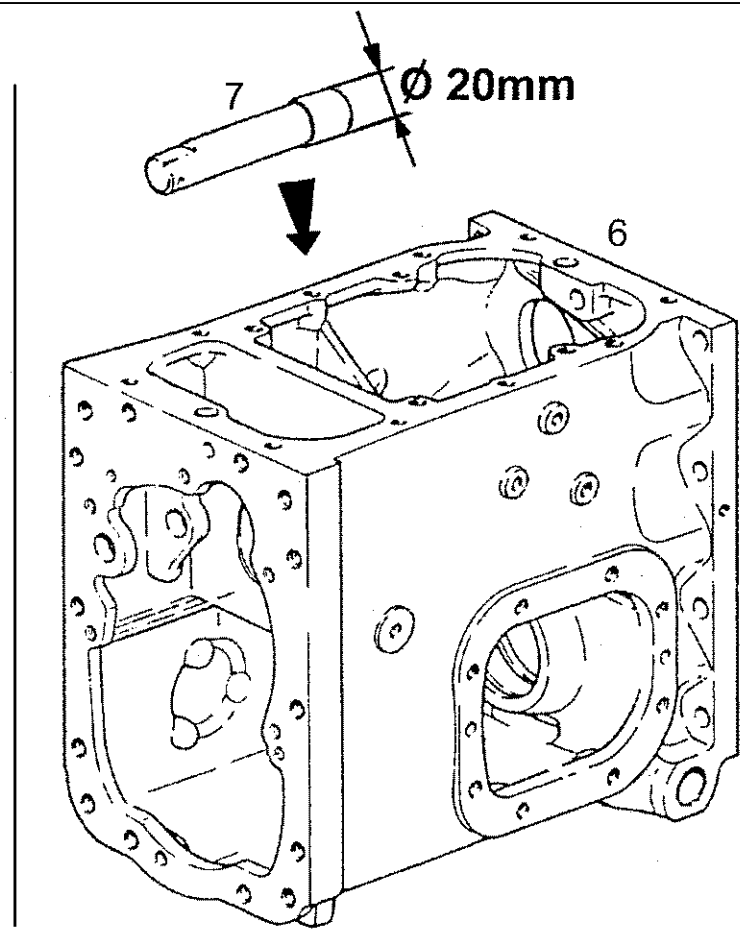
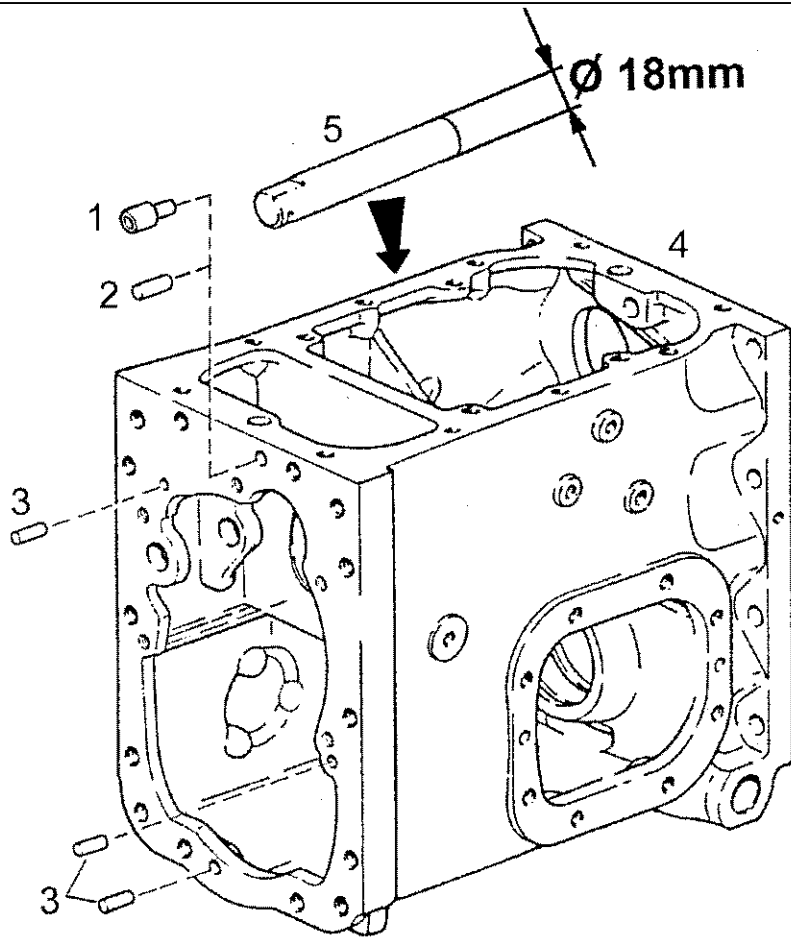




Ref	Onderdeelnummer	Kwt	Beschrijving
1	153700210017	1	HUIS,
2	1192210033	2	LAGERBUS,
3	180402190108	2	LAGERBUS, , Wahlweise/Optional/En Option/Efter valg/A scelta
3	133700210105	2	BUSHING, LARGE,
4	155700210052	1	LAGER,
5	190003813423	8	SCHROEF, , M8x20-8.8
6	43362	8	MOER, M8, CI 10,
7	153700210003	1	COVER,
8	190003813178	6	SCHROEF, , M12x170-8.8
9	100038	14	NUT, LOCK, M12 x 1.75, CI 8,
10	190003813666	8	TAPEIND, , M12x80-8.8
13	133700210051	1	KOPPELFLENS, , Besteht aus/Consists of/Compose de/Bestående af/È composto da 14 - 17
14	133700210063	1	HUIS,
15	133700210064	1	HUIS,
16	133700210066	1	LAGER, KOGEL,
17	133700210065	1	LAGER, KOGEL,
18	153700230012	1	AS,
19	153700230010	1	AS,
20	133700230027	1	CRADLE,
21	1288230020	1	CRADLE,
22	190003861107	2	SCHROEF, , AM6x12-8.8
23	190003931082	2	SLUITRING, , A6
24	190003909624	3	SPANSTIFT, , 6x16
25	43138	2	BOUT, Hex, M10 x 20, 8.8, Full Thd,
26	1-34-543-522	1	DRAAGARM,
27	153700230003	2	VEER,
28	1288240043	1	DEKSEL,
29	16043224	3	BOUT, Hex, M8 x 16, 8.8, Full Thd,
30	1288210051	2	LAGERBUS,

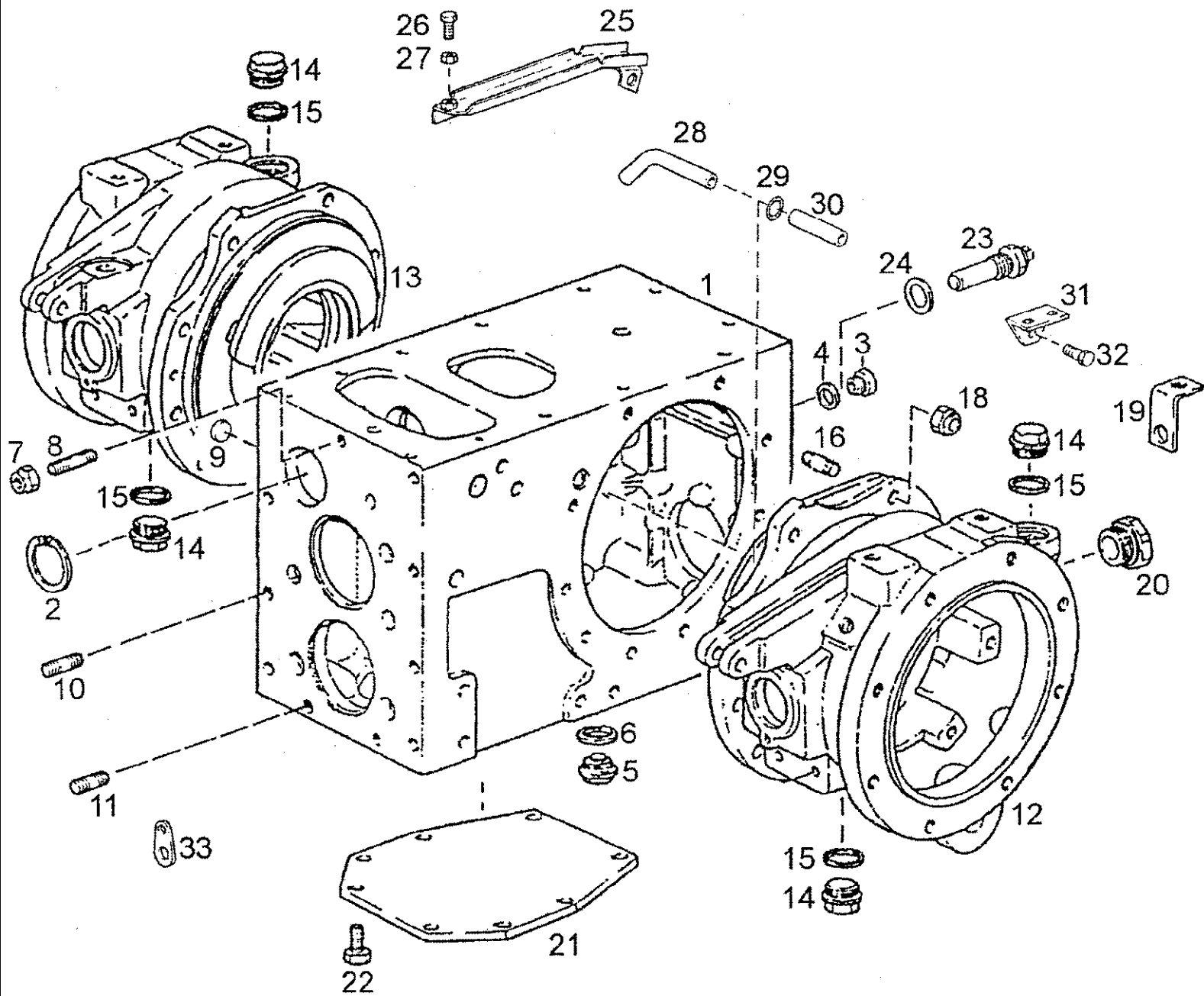


Ref	Onderdeelnummer	Kwt	Beschrijving
1	REF	-	INSTRUCTION, , Siehe nächste Seite(n)/See next page(s)/Voir page(s) suivante(s)/Se næste side (r )/Vedere pagin(a/e) sequent(e/i)
2	155700733047	2	KLINKNAGEL,
3	155700733051	1	PEN,
4	190003901507	2	PEN, , 10m6x16
5	190003902277	4	PEN, , M8x12
6	133700210078	1	COVER,
7	43151	3	BOUT, Hex, M12 x 20, 8.8, Full Thd, , M12x20-8.8
8	190003802622	1	SCHROEF, , M12x25-8.8
10	153700210004	1	BEARING COVER, , Ohne Kriechgang/Without Creep Speed/Sans reducteur de vitesse/Uden krybegang/Senza prima ridotta
11	190003800543	5	SCHROEF, , M10x50-8.8
13	133700210035	1	HOUDER,
14	190003862017	3	SCHROEF, Cross Csk Hd, M8 x 20, 8.8, , M8x20-8.8
15	133700210024	1	SCHROEF,
16	190003098086	1	DICHTINGSRING, , A30x36-CU
17	153700210019	1	COVER,
18	190003802547	4	SCHROEF, , M10x50-8.8
19	11106231	2	BOUT, Hex, M10 x 25, 10.9, Full Thd, , M10x25-8.8
20	190003800080	1	SCHROEF, , M10x90-8.8
21	190003800571	2	SCHROEF, , M10x80-8.8
22	133700270047	X	SLUITRING, , 0,1mm
22	133700270048	X	SLUITRING, , 0,2mm
23	155700270073	1	DEKSEL,
24	9706687	7	BOUT, Hex, M12 x 30, 8.8,
25	190003800029	1	SCHROEF, , M12x65-8.8
26	190003963112	2	SMEERNIPPEL, , AM8x1



## 06-17(01) TRANSMISSION-HOUSING

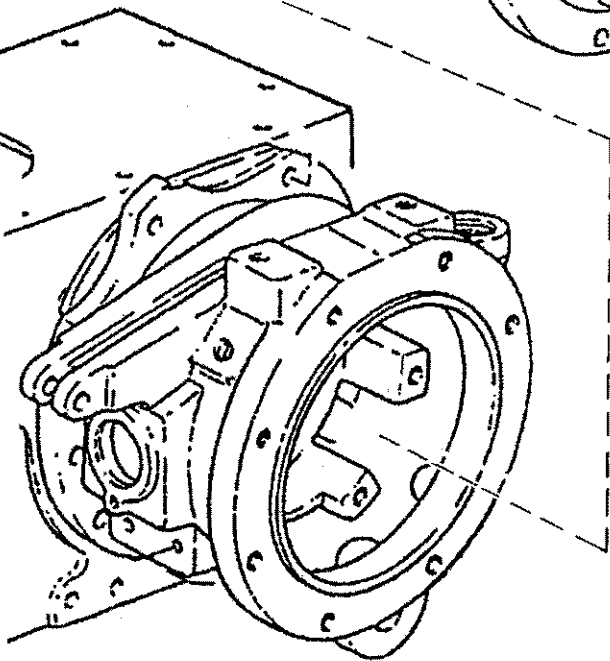
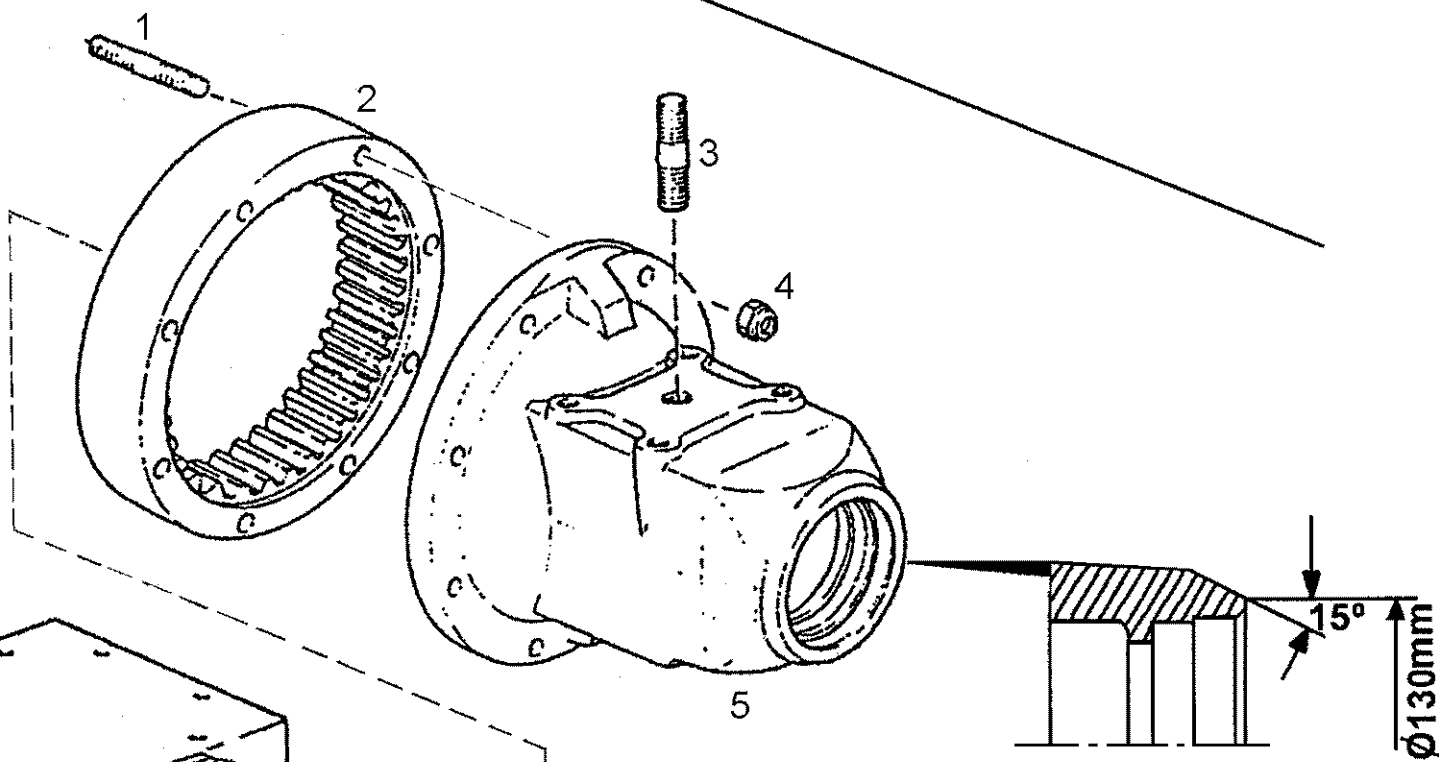
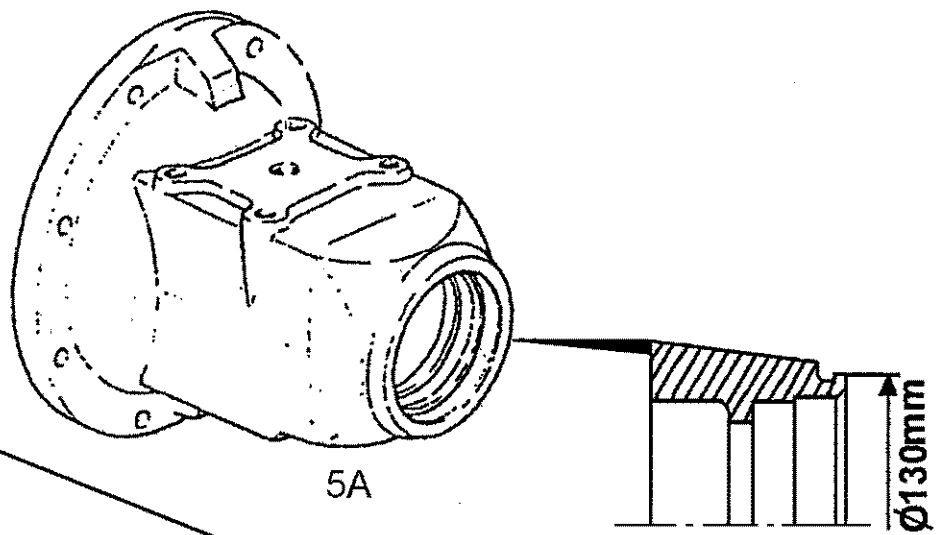
Ref	Onderdeelnummer	Kwt	Beschrijving
1	153700210027	1	PIN, LARGE,
2	190003901512	1	PEN, , 10m6x20
3	190003901416	3	PEN, , 8m6x16
4	153700210018	1	HUIS, , Ohne Kriechgang/Without Creep Speed/Sans reducteur de vitesse/Uden krybegang/Senza prima ridotta
5	REF	-	INSTRUCTION, , Siehe Antriebswelle/See shaft drive/Voir arbre d'entrainement/Se Drivaksel/Vedere albero motore
6	153700210191	1	GEHÄUSE, Ohne Kriechgang/Without Creep Speed/Sans reducteur de vitesse/Uden krybegang/Senza prima ridotta
7	REF	-	INSTRUCTION, , Siehe Antriebswelle/See shaft drive/Voir arbre d'entrainement/Se Drivaksel/Vedere albero motore
8	153700210021	1	HUIS, , Mit Kriechgang/With Creep Speed/Avec reducteur de vitesse/Med krybegang/Con prima ridotta
9	REF	-	INSTRUCTION, , Siehe Kriechgang/See creep speed/Voir reducteur de vitesse/Se krybegang/Vedere prima ridotta
10	153700210029	1	GEHÄUSE, Mit Kriechgang/With Creep Speed/Avec reducteur de vitesse/Med krybegang/Con prima ridotta
11	REF	-	INSTRUCTION, , Siehe Kriechgang/See creep speed/Voir reducteur de vitesse/Se krybegang/Vedere prima ridotta



## 06-18(01) REAR AXLE HOUSING / BRAKEHOUSING

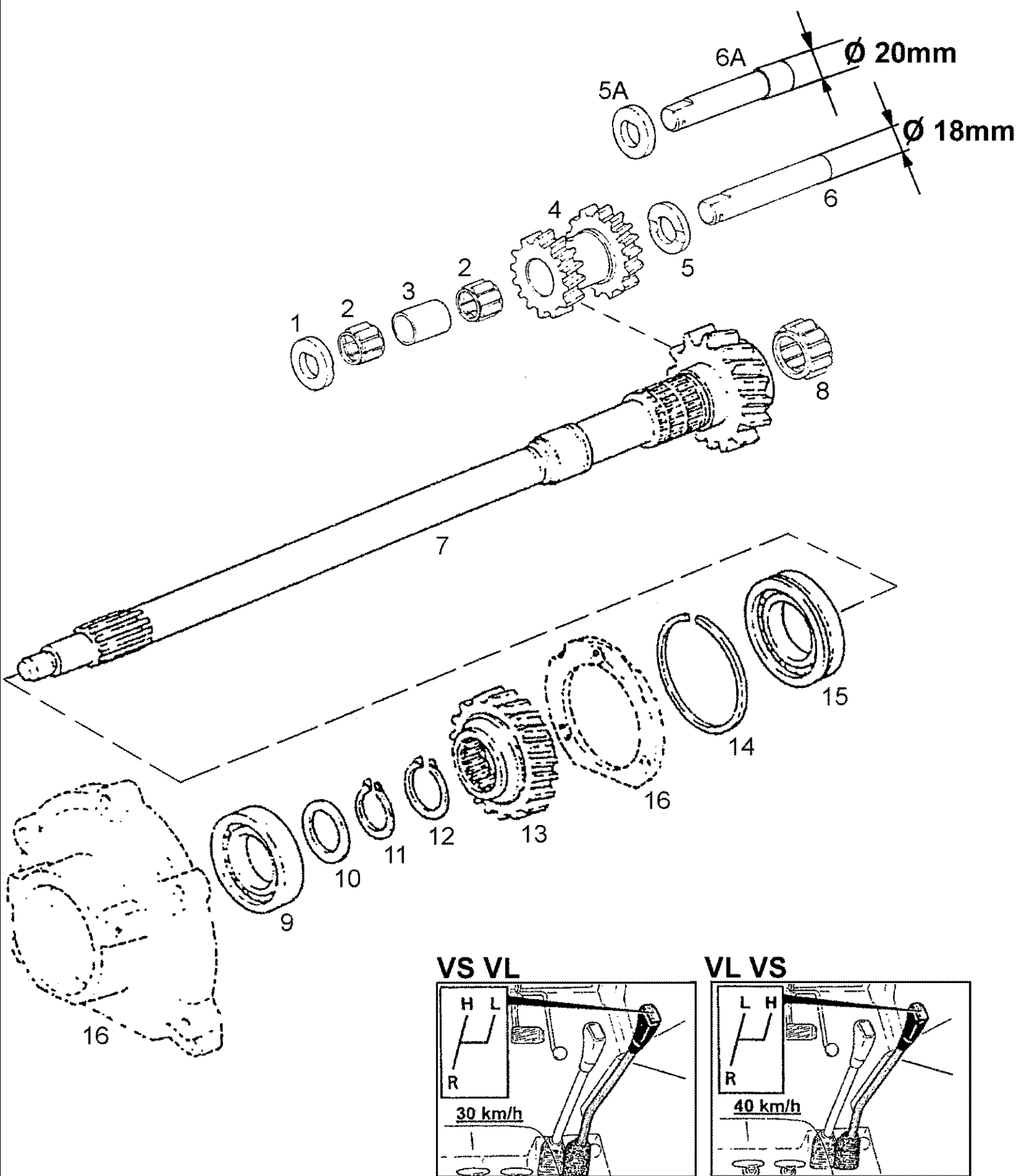
Ref	Onderdeelnummer	Kwt	Beschrijving
1	153700210014	1	HOUSING, AXLE,
2	190003930119	1	SLUITRING, , 85x4
3	190003962035	1	SCHROEF, , M18x1,5
4	190003098020	1	DICHTINGSRING, , A18x22-CU
5	133700210024	1	SCHROEF,
6	190003098086	1	DICHTINGSRING, , A30x36-CU
7	832-41312	11	NUT, LOCK, M12 x 1.75, CI 10,
8	190003813643	1	TAPEIND, , M12x50-10.9
9	190003989297	2	PLUG, , 18/8-ST
10	190003813634	8	TAPEIND, , M12x35-10.9
11	190003813636	2	TAPEIND, , M12x40-10.9
12	153700330015	1	HUIS,
13	153700330016	1	HUIS,
14	190003962051	4	AFTAPPLUG, , C-M30x1,5
15	190003098086	4	DICHTINGSRING, , A30x36-CU
16	190003813634	20	TAPEIND, , M12x35-10.9
18	832-41312	20	NUT, LOCK, M12 x 1.75, CI 10,
19	155700330027	2	HOEKSTUK,
20	1397210072	1	KIJKGLAS,
21	133700210044	1	COVER,
22	190003802622	8	SCHROEF, , M12x25-8.8
23	155700710026	1	SENSOR, , 71mm lg
24	1586270015	X	SLUITRING, , 0,5mm
24	1397210093	X	SLUITRING, , 0,9mm
24	1397210089	X	SLUITRING, , 1,1mm
24	1397210090	X	SLUITRING, , 1,3mm
24	1397210091	X	SLUITRING, , 1,5mm
25	153700210022	1	OLIESPUIT,
26	190003802338	1	SCHROEF, , M6x25-8.8
27	15896221	1	MOER, M6, CI 10, , M6-8
28	153700210016	1	BUISJE,
29	1406070015	1	O-RING,
30	153700210020	1	BUISJE,
31	153700320038	1	GUIDE, LEVERS,
32	336199	1	BOUT, Hex, M8 x 12, 8.8, Full Thd, , M8x12-8.8
33	1288350094	1	VERWISSELBAAR RISTERVOORS,



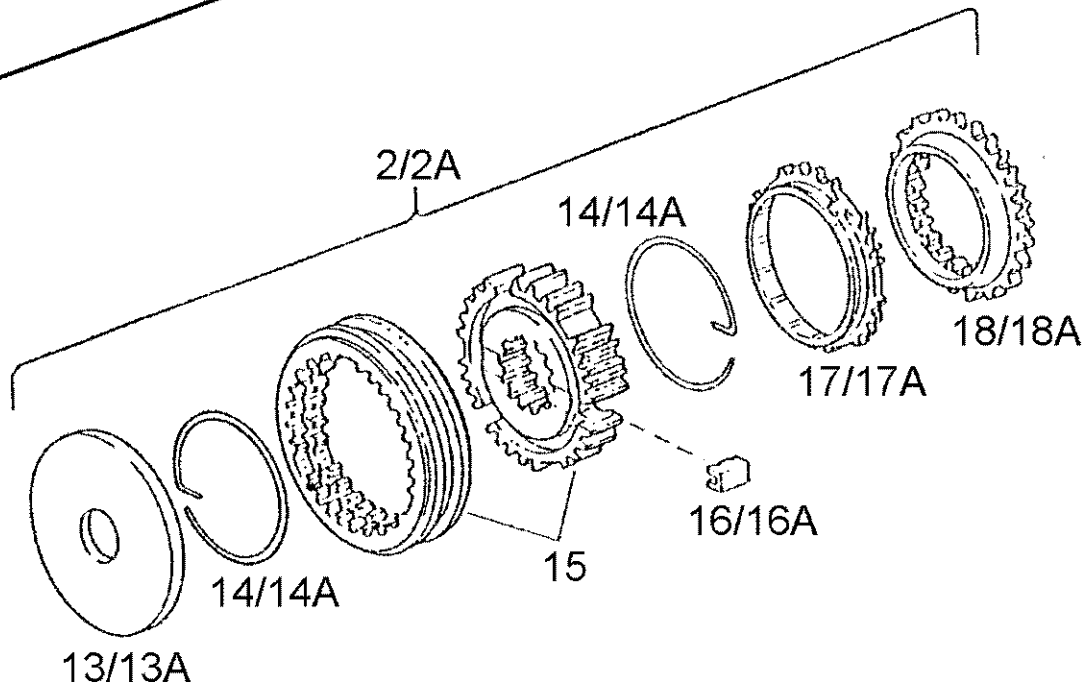
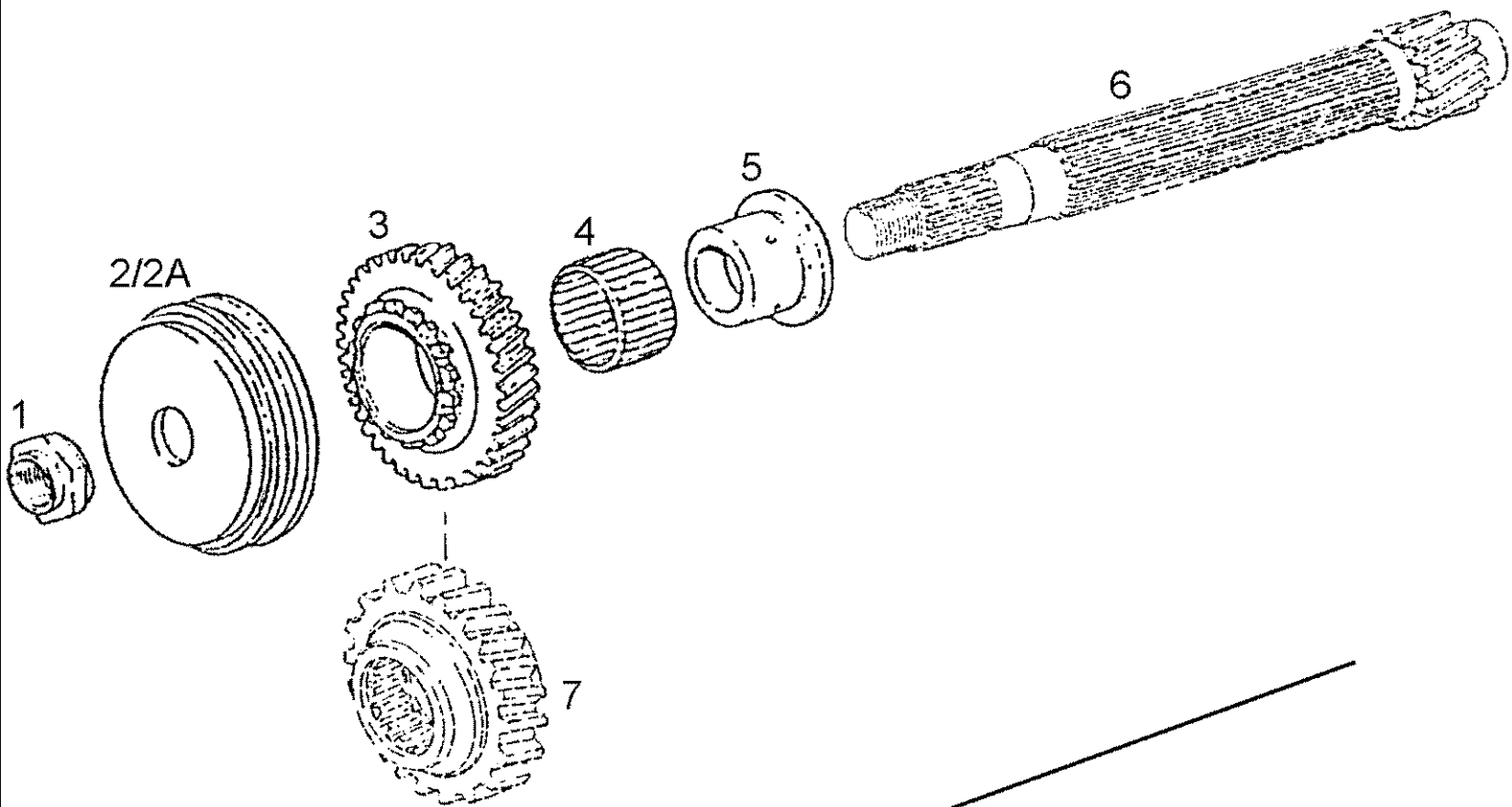


## 06-19(01) CARRIER,AXLE

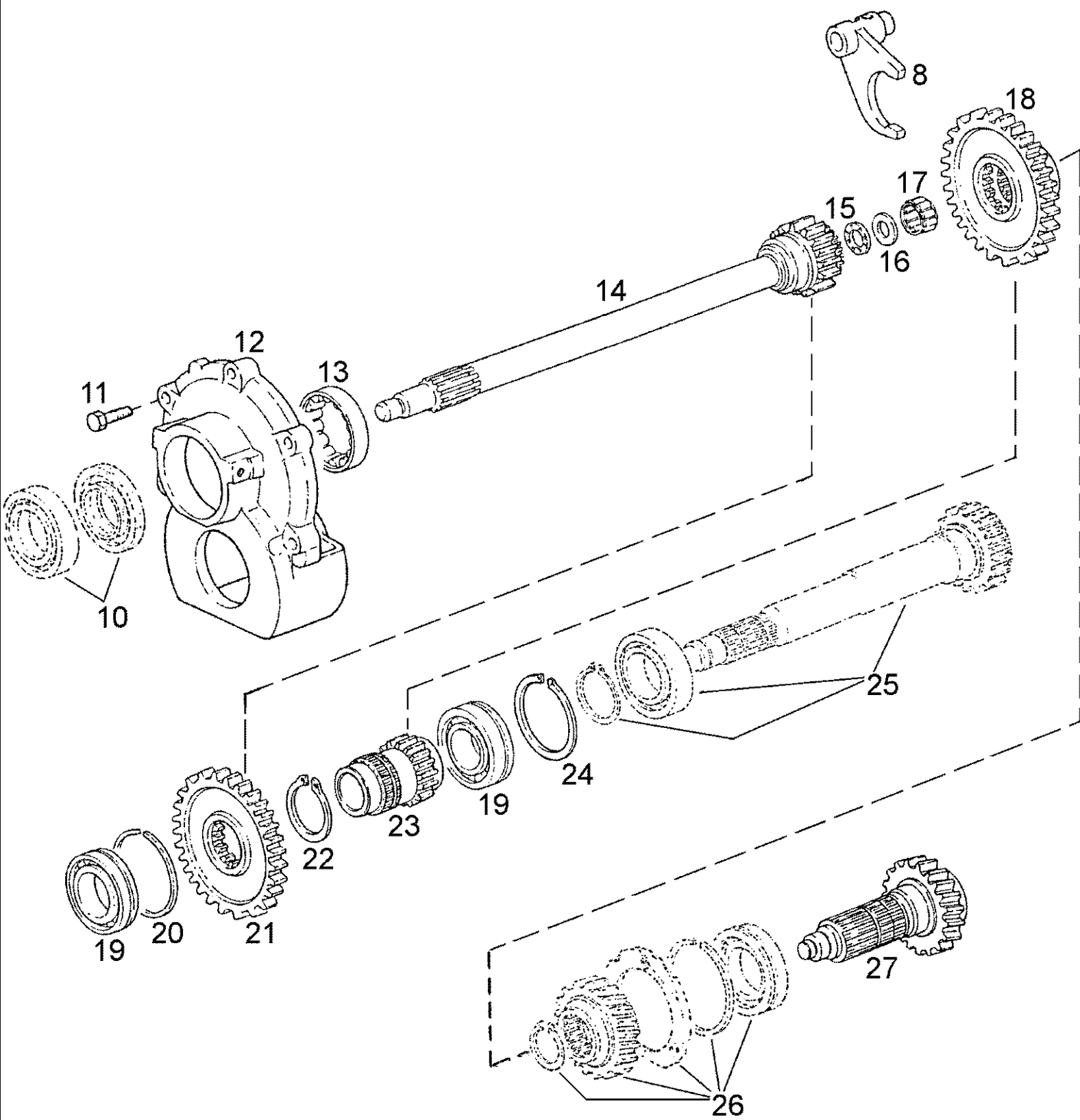
Ref	Onderdeelnummer	Kwt	Beschrijving
1	190003813681	16	TAPEIND, , M12x105-10.9
2	REF	-	INSTRUCTION, , Siehe Hinterachsantrieb/See rear differential/Voir propulsion arriere/Se baghjulstræk/Vedere trazione posteriore
3	190003810107	2	TAPEIND, , M20x1,5x80-10.9
4	832-41312	16	NUT, LOCK, M12 x 1.75, CI 10,
5	153700330010	2	SHAFT HOUSING, , ----> . . . .
5A	153700330025	2	SHAFT HOUSING, , . . . .---->



Ref	Onderdeelnummer	Kwt	Beschrijving
1	153700220020	1	WASHER, THRUST,
2	133700220109	2	LAGER, NAALD, , K18x24x20A
3	133700220107	1	AFSTANDSRING,
4	133700220343	1	TANDWIEL BIJ WIEL, , 18/24T
5	133700220106	1	WASHER, THRUST, , ID = 18mm
5A	153700220037	1	WASHER, THRUST, , ID = 20mm
6	133700220151	1	PIN, PIVOT, , Ø=18mm; Ohne Kriechgang/Without Creep Speed/Sans reducteur de vitesse/Uden krybegang/Senza prima ridotta
6A	153700220038	1	PIN, PIVOT, , Ø=20mm; Ohne Kriechgang/Without Creep Speed/Sans reducteur de vitesse/Uden krybegang/Senza prima ridotta
7	153700220008	1	AS, , 35T; Ohne Kriechgang/Without Creep Speed/Sans reducteur de vitesse/Uden krybegang/Senza prima ridotta
8	133700220029	1	LAGER, NAALD, , K28x40x25JM
9	190003311421	1	LAGER, KOGEL,
10	133700290077	1	SLUITRING, , 2,5mm
11	190003933253	1	SLUITRING, , 35x2,5
12	190003933323	1	RING, SNAP, , 42x2,5
13	133700220110	1	TANDWIEL, , 31T / 30km/h
13	133700220347	1	TANDWIEL, , 36T / 40km/h
14	190003935363	1	VEERRING, , SP85
15	190003311127	1	LAGER, KOGEL,
16	REF	-	INSTRUCTION, , Siehe Getriebegehäuse/See transmission housing/Voir carter de transmission/Se gearkasssehus/Vedere scatola del cambio



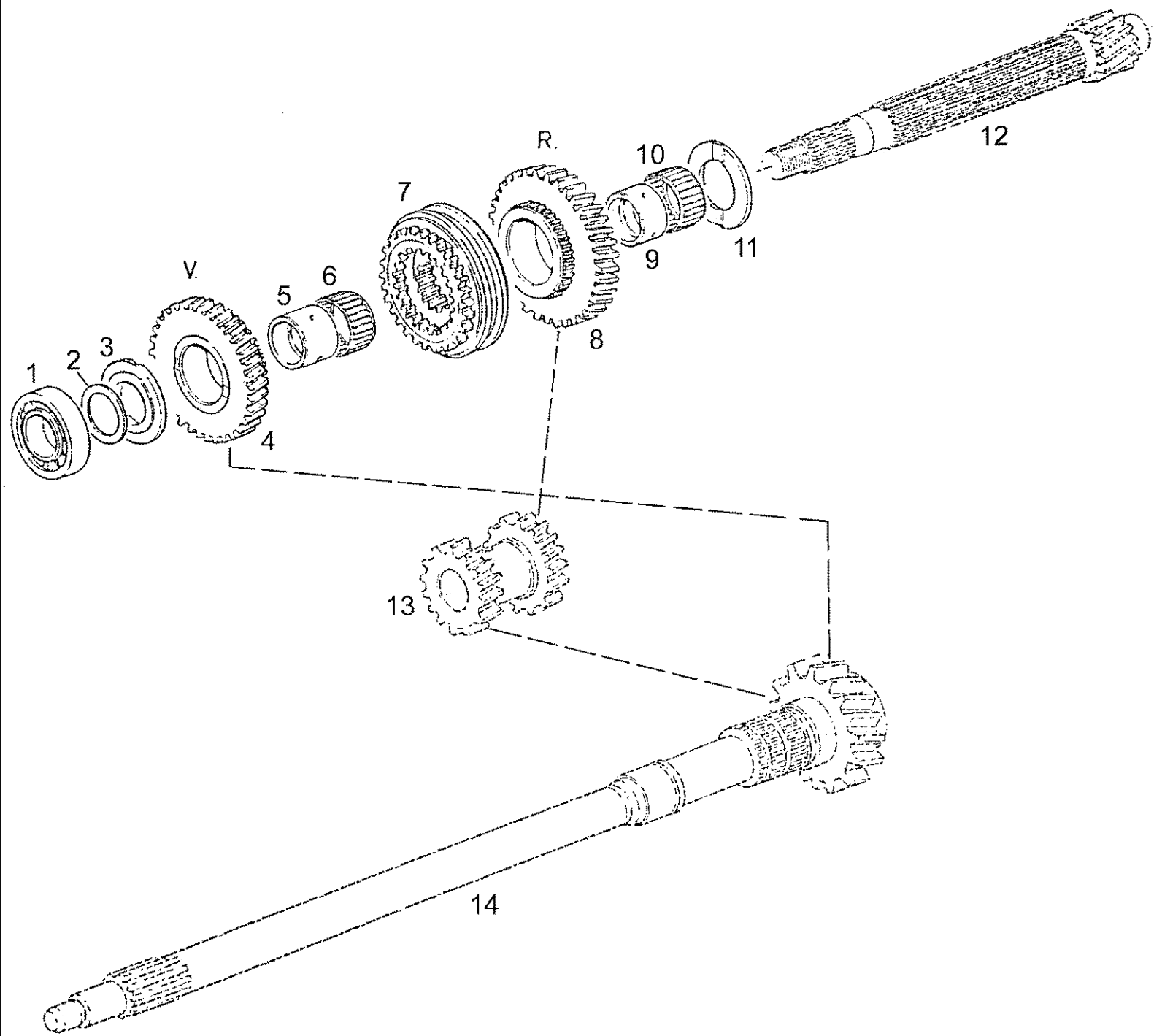
Ref	Onderdeelnummer	Kwt	Beschrijving
1	1192220050	1	MOER,
2	153700220041	1	SYNCHRONIZER, , Besteht aus/Consists of/Compose de/Bestående af/È composto da 13 - 18; Ersetzt/Replaces/Remplace/Udskiftet/Sostituisce 153700220024
2A	153700220048	1	SYNCHRONIZER, , Besteht aus/Consists of/Compose de/Bestående af/È composto da 13A - 18A; Ersetzt/Replaces/Remplace/Udskiftet/Sostituisce 153700220041
3	133700220304	1	TANDWIEL, , 37T / 30km/h
3	133700220348	1	TANDWIEL, , 25T / 40km/h
4	1188220038	1	LAGER, NAALD,
5	133700220232	1	SLEEVE ASSY,
6	REF	-	INSTRUCTION, , Siehe nächste Seite(n)/See next page(s)/Voir page(s) suivante(s)/Se næste side (r )/Vedere pagin(a/e) sequent(e/i)
7	REF	-	INSTRUCTION, , Siehe Seite(n) vorne/See Page(s) before/Voir Page(s) avant/Se side (r ) forrest/Vedere pagin(a/e) precedent(e/i)
13	153700220711	1	SCHIJF,
14	153700220724	2	VEER,
15	NSS	-	NIET ALLEEN VERKRIJGBAAR,
16	153700220723	3	PAD, WEAR,
17	153700220722	1	RING, SYNCHRO,
18	153700220721	1	BRACKET, HITCH,
13A		1	SCHEIBE
14A	153700220704	1	VEER,
16A	153700220703	3	PAD, WEAR,
17A	153700220712	1	RING, SYNCHRO,
18A	153700220713	1	LICHAAM,



## 06-22(01) CREEP SPEED

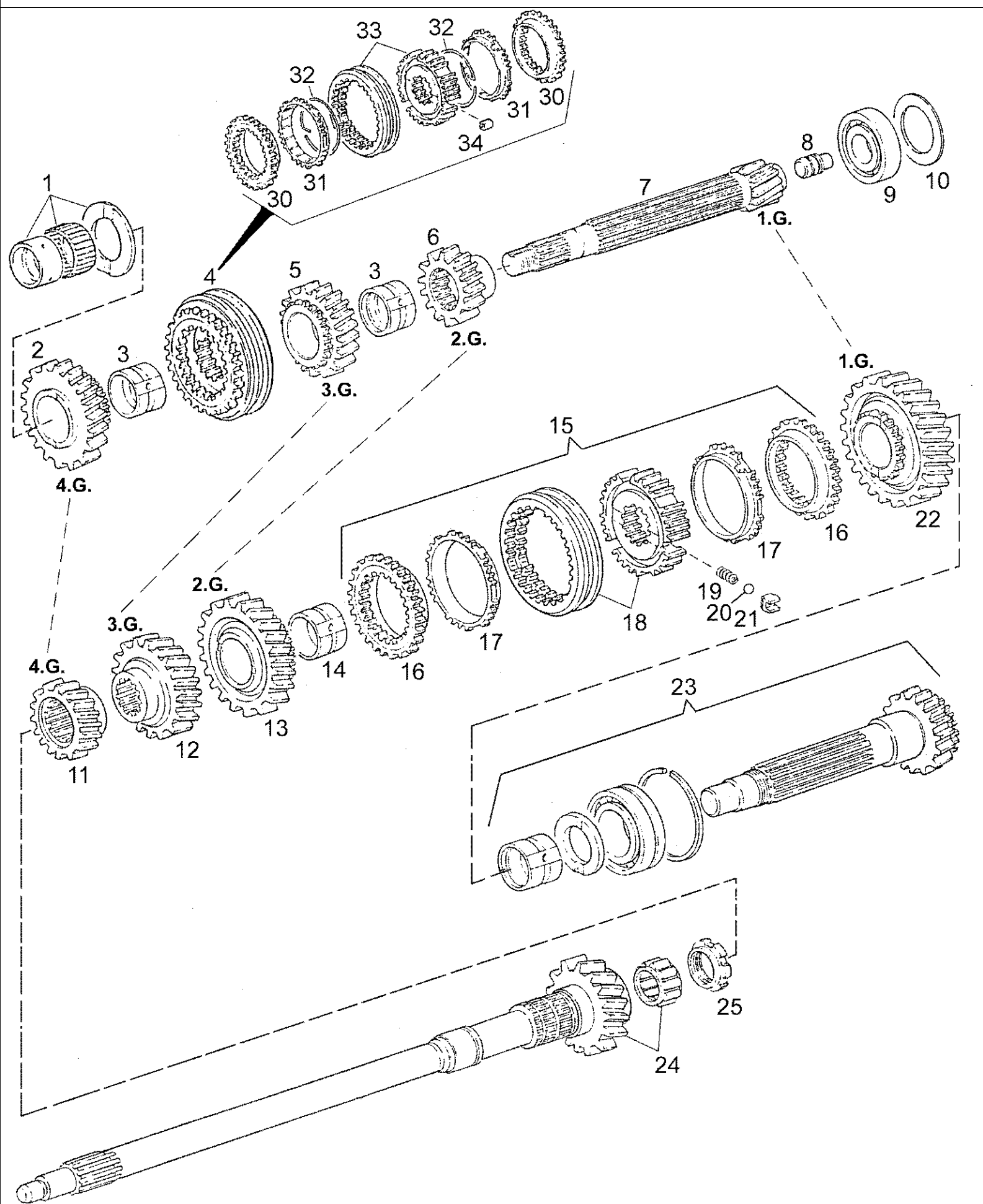
Ref	Onderdeelnummer	Kwt	Beschrijving
8	153700280010	1	STEEKVORK, , Siehe Seite(n) vorne/See Page(s) before/Voir Page(s) avant/Se side (r ) forrest/Vedere pagin(a/e) precedent(e/i)
10	REF	-	INSTRUCTION, , Siehe Zapfwelle/See power-take-off/Voir prise de force/Se kraftudtag/Vedere presa di forza
11	190003800543	5	SCHROEF, , M10x50-8.8
12	153700280017	1	BEARING COVER,
13	190003320086	1	LAGER,
14	153700280013	1	AS, , 26T
15	135700220275	1	LAGER, NAALD,
16	135700220276	1	SCHIJF,
17	135700220132	1	LAGER, NAALD,
18	153700280032	1	TANDWIEL,
19	190003310065	2	LAGER,
20	190003935362	1	VEERRING, , SP80
21	153700280016	1	TANDWIEL, , 60T
22	190003933430	1	SLUITRING, , 55x3
23	153700280033	1	SHAFT, GEAR,
24	190003934400	1	BORGVEER, , 80x2,5
25	REF	-	INSTRUCTION, , Siehe Zapfwelle/See power-take-off/Voir prise de force/Se kraftudtag/Vedere presa di forza
26	REF	-	INSTRUCTION, , Siehe Seite(n) vorne/See Page(s) before/Voir Page(s) avant/Se side (r ) forrest/Vedere pagin(a/e) precedent(e/i)
27	153700280006	1	AS, , 35T





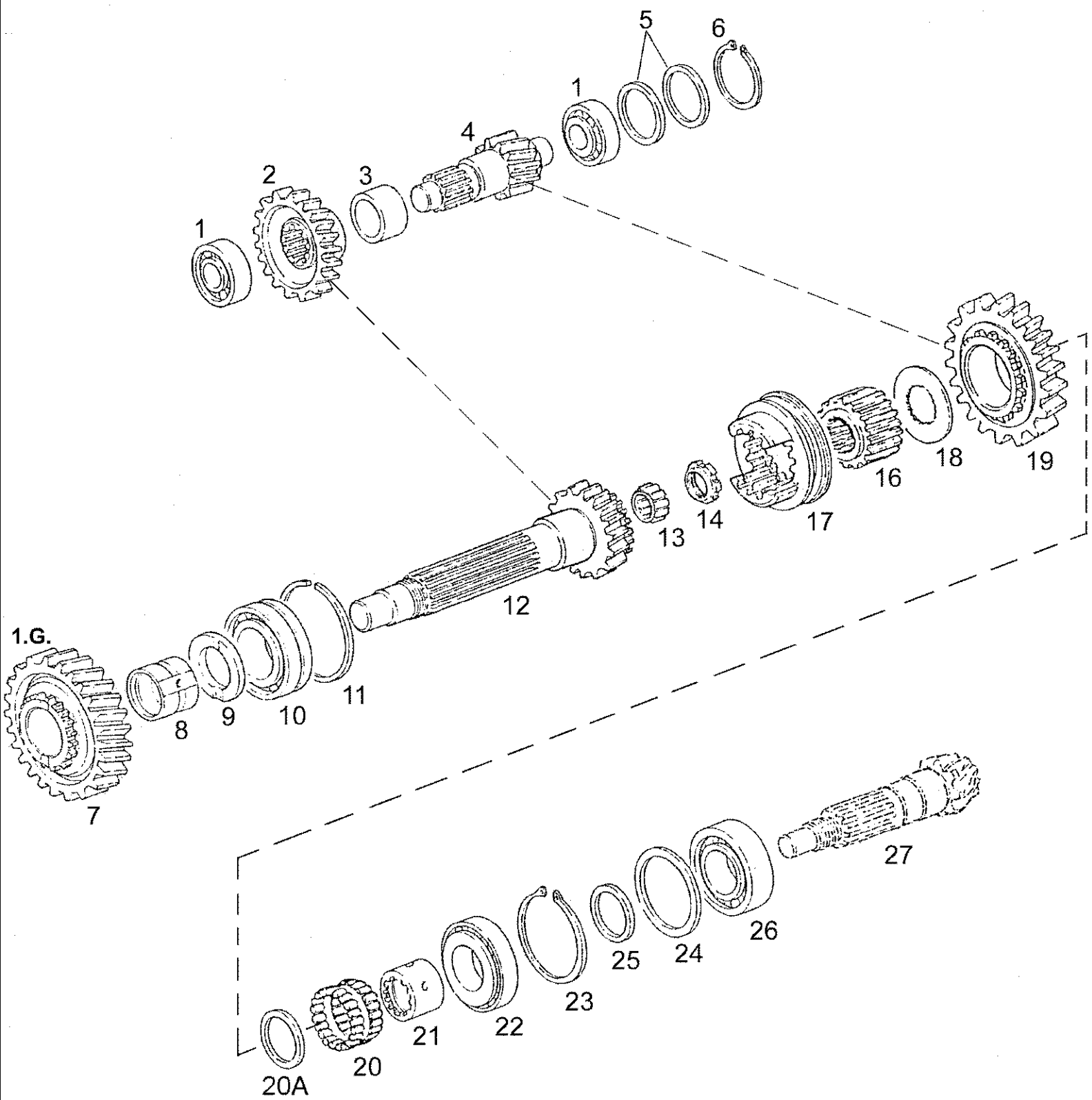
## 06-23(01) GROUP FORWARD/REVERSE

Ref	Onderdeelnummer	Kwt	Beschrijving
1	190003321518	1	LAGER,
2	180410033	X	SLUITRING, , 0,5mm
2	180410034	X	SLUITRING, , 1,0mm
3	1288220037	1	WASHER, THRUST,
4	133700220344	1	TANDWIEL, , 33T
5	133700220326	1	SLEEVE ASSY,
6	1188220038	1	LAGER, NAALD,
7	153700220047	1	SYNCHRONISATOR,
8	133700220302	1	TANDWIEL, , 44T
9	133700220327	1	SLEEVE ASSY,
10	133700220221	1	LAGER, NAALD, , K40/45/24
11	133700270079	1	WASHER, THRUST,
12	REF	-	INSTRUCTION, , Siehe nächste Seite(n)/See next page(s)/Voir page(s) suivante(s)/Se næste side (r )/Vedere pagin(a/e) sequent(e/i)
13	REF	-	INSTRUCTION, , Siehe Seite(n) vorne/See Page(s) before/Voir Page/s) avant/Se side (r ) forrest/Vedere pagin(a/e) precedent(e/i)
14	REF	-	INSTRUCTION, , Siehe Seite(n) vorne/See Page(s) before/Voir Page/s) avant/Se side (r ) forrest/Vedere pagin(a/e) precedent(e/i)



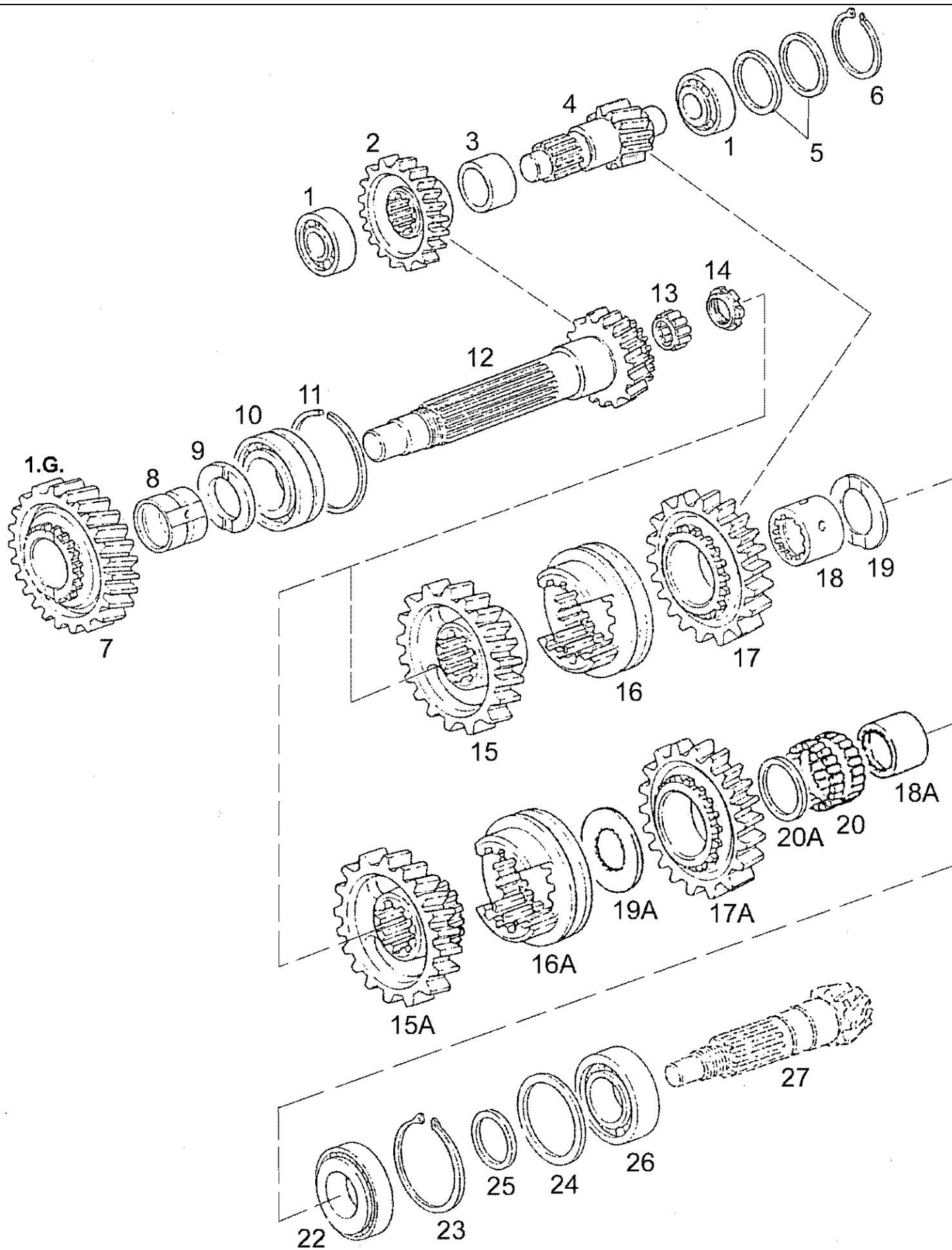
## 06-24(01) GEAR SHIFT GROUP 1.- 4.GEAR

Ref	Onderdeelnummer	Kwt	Beschrijving
1	REF	-	INSTRUCTION, , Siehe Seite(n) vorne/See Page(s) before/Voir Page(s) avant/Se side (r ) forrest/Vedere pagin(a/e) precedent(e/i)
2	153700220061	1	TANDWIEL BIJ WIEL, , 38T
3	133700220325	2	SLEEVE ASSY,
4	153700220047	1	SYNCHRONISATOR, , Besteht aus/Consists of/Compose de/Bestående af/È composto da 30 - 34
5	133700220299	1	TANDWIEL, , 27T
6	131700220037	1	TANDWIEL, , 16T
7	133700220433	1	TUSSENAS, , 13T
8	133700220432	1	PLUG,
9	190003320043	1	LAGER, KOGEL,
10	1180A220033	X	SLUITRING, , 0,1mm
10	1180A220034	X	SLUITRING, , 0,2mm
10	1288270041	X	SLUITRING, , 0,4mm
11	131700220031	1	TANDWIEL, , 29T
12	1192220115	1	TANDWIEL, , 32T
13	131700220036	1	TANDWIEL, , 31T
14	133700220121	1	SLEEVE ASSY,
15	153700220026	1	SYNCHRONIZER, , Besteht aus/Consists of/Compose de/Bestående af/È composto da 16 - 21
16	153700220708	2	LICHAAM,
17	153700220707	2	RING, SYNCHRO,
18	NSS	-	NIET ALLEEN VERKRIJGBAAR,
19	153700220701	3	VEER,
20	153700220705	3	KOGEL,
21	153700220706	3	PAD, WEAR,
22	133700220297	1	TANDWIEL, , 44T
23	REF	-	INSTRUCTION, , Siehe nächste Seite(n)/See next page(s)/Voir page(s) suivante(s)/Se næste side (r ) )/Vedere pagin(a/e) sequent(e/i)
24	REF	-	INSTRUCTION, , Siehe Seite(n) vorne/See Page(s) before/Voir Page(s) avant/Se side (r ) forrest/Vedere pagin(a/e) precedent(e/i)
25	1192220082	1	NUT, SLOTTED,
30	153700220721	2	BRACKET, HITCH,
31	153700220722	2	RING, SYNCHRO,
32	153700220724	2	VEER,
33	NSS	-	NIET ALLEEN VERKRIJGBAAR,
34	153700220723	3	PAD, WEAR,



Ref	Onderdeelnummer	Kwt	Beschrijving
1	190003326215	2	LAGER, KOGEL,
2	133700220058	1	TANDWIEL, , 23T
3	133700220004	1	AFSTANDSRING,
4	133700220059	1	TUSSENAS, , 13T
5	133700220013	X	SLUITRING, , 1,50mm
5	133700220014	X	SLUITRING, , 1,62mm
5	133700220015	X	SLUITRING, , 1,86mm
5	133700220016	X	SLUITRING, , 1,98mm
6	190003934310	1	RING, SNAP, , 62x2
7	REF	-	INSTRUCTION, , Siehe Seite(n) vorne/See Page(s) before/Voir Page/s) avant/Se side (r ) forrest/Vedere pagin(a/e) precedent(e/i)
8	133700220121	1	SLEEVE ASSY,
9	133700220056	1	WASHER, THRUST,
10	133700220354	1	LAGER, KOGEL,
11	190003935364	1	VEERRING, , SP90
12	133700220020	1	SHAFT, DRIVE, , 18T
13	1409020024	1	NEEDLE CAGE,
14	133700220408	1	NUT, SLOTTED,
16	133700220134	1	TANDWIEL BIJ WIEL,
17	133700290106	1	SLEEVE, TRANSMISSION,
18	133700220132	1	SCHIJF,
19	133700220136	1	TANDWIEL, , 34T
20	133700270157	1	LAGER, NAALD, , K48/60/35 / ---->. . . .
20	153700220060	1	LAGER, NAALD, , K55/60/32 / . . . .---->
20A	153700220058	1	AFSTANDSRING, , . . . .---->
21	133700220353	1	SLEEVE ASSY, , ---->. . . .
21	153700220057	1	LAGERBUS, , . . . .---->
22	153700220036	1	LAGER, ROL,
23	190003934425	1	RING, SNAP, , 85x3
24	133700220024	X	SLUITRING, , 2,8mm
24	133700220025	X	SLUITRING, , 3,0mm
24	133700220355	X	SLUITRING, , 3,1mm
24	133700220026	X	SLUITRING, , 3,2mm
24	133700220147	X	SLUITRING, , 3,3mm
24	133700220027	X	SLUITRING, , 3,4mm
24	133700220142	X	SLUITRING, , 3,5mm
24	133700220143	X	SLUITRING, , 3,6mm
24	133700220144	X	SLUITRING, , 3,8mm
25	133700220180	X	SLUITRING, , 3,75mm
25	133700220181	X	SLUITRING, , 3,90mm
25	133700220182	X	SLUITRING, , 4,10mm

Ref	Onderdeelnummer	Kwt	Beschrijving
25	133700220185	X	SLUITRING, , 4,15mm
25	133700220186	X	SLUITRING, , 4,20mm
25	133700220187	X	SLUITRING, , 4,25mm
25	133700220183	X	SLUITRING, , 4,30mm
25	133700220437	X	SLUITRING, , 4,35mm
25	133700220184	X	SLUITRING, , 4,40mm
26	190003326627	1	LAGER, KOGEL,
27	REF	-	INSTRUCTION, , Siehe nächste Seite(n)/See next page(s)/Voir page(s) suivante(s)/Se næste side (r )Vedere pagin(a/e) sequent(e/i)

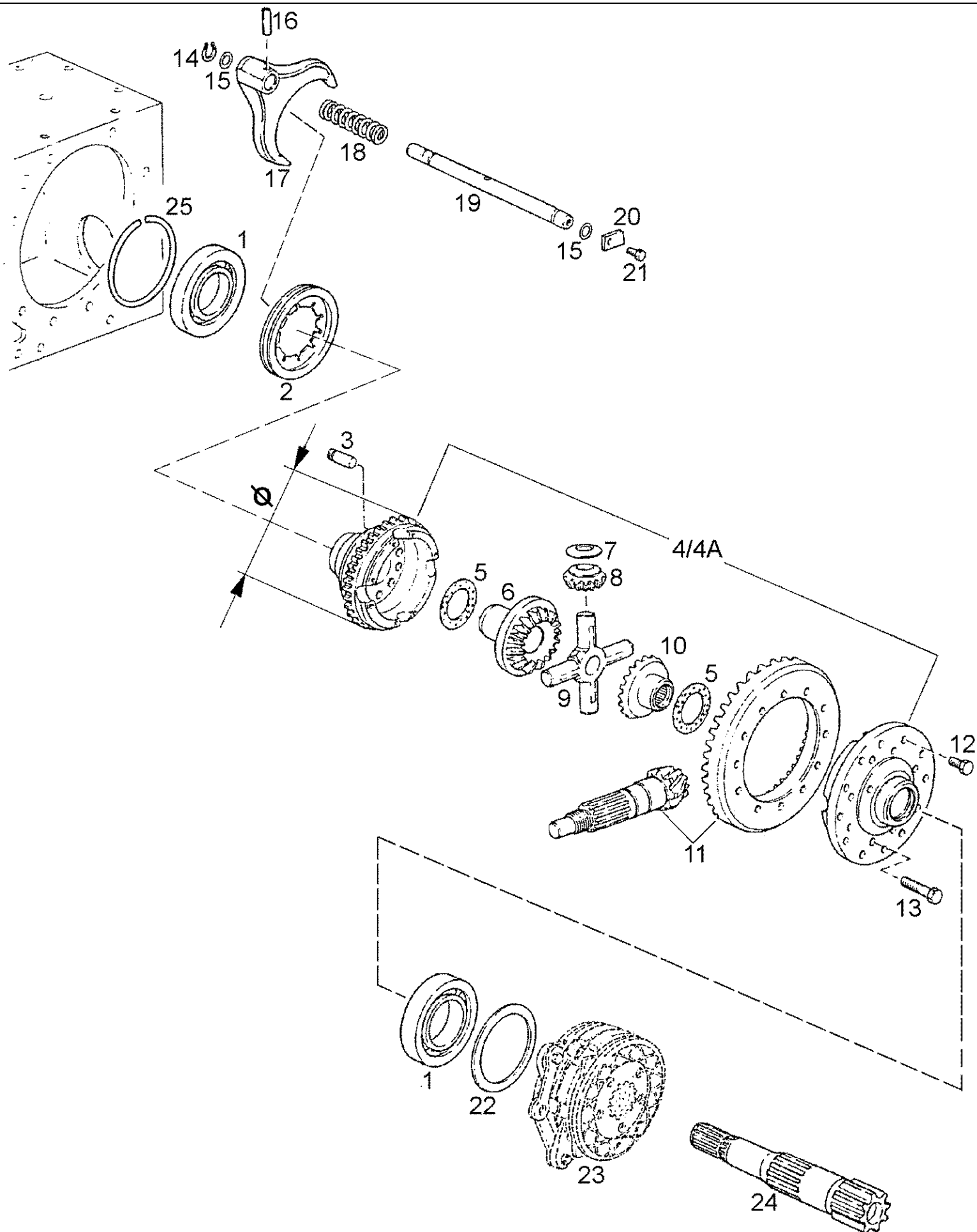




Ref	Onderdeelnummer	Kwt	Beschrijving
1	190003326215	2	LAGER, KOGEL,
2	133700220058	1	TANDWIEL, , 23T
3	133700220004	1	AFSTANDSRING,
4	133700220059	1	TUSSENAS, , 13T
5	133700220013	X	SLUITRING, , 1,50mm
5	133700220014	X	SLUITRING, , 1,62mm
5	133700220015	X	SLUITRING, , 1,86mm
5	133700220016	X	SLUITRING, , 1,98mm
6	190003934310	1	RING, SNAP, , 62x2
7	REF	-	INSTRUCTION, , Siehe Seite(n) vorne/See Page(s) before/Voir Page/s) avant/Se side (r ) forrest/Vedere pagin(a/e) precedent(e/i)
8	133700220121	1	SLEEVE ASSY,
9	133700220056	1	WASHER, THRUST,
10	133700220354	1	LAGER, KOGEL,
11	190003935364	1	VEERRING, , SP90
12	133700220020	1	SHAFT, DRIVE, , 18T
13	1409020024	1	NEEDLE CAGE,
14	133700220408	1	NUT, SLOTTED,
15	133700220196	1	TANDWIEL BIJ WIEL, , 33T
15A	133700290105	1	TANDWIEL BIJ WIEL, , 33T
16	133700220053	1	SLEEVE, TRANSMISSION,
16A	133700290106	1	SLEEVE, TRANSMISSION,
17	133700220036	1	TANDWIEL, , 34T
17A	133700220136	1	TANDWIEL, , 34T
18	1192220137	1	SLEEVE ASSY,
18A	133700220353	1	SLEEVE ASSY, , ----> . . . .
18A	153700220057	1	LAGERBUS, , . . . .---->
19	133700220056	1	WASHER, THRUST,
19A	133700220132	1	SCHIJF,
20	133700270157	1	LAGER, NAALD, , K48/60/35 / ----> . . . .
20	153700220060	1	LAGER, NAALD, , K55/60/32 / . . . .---->
20A	153700220058	1	AFSTANDSRING, , . . . .---->
22	153700220036	1	LAGER, ROL,
23	190003934425	1	RING, SNAP, , 85x3
24	133700220024	X	SLUITRING, , 2,8mm
24	133700220025	X	SLUITRING, , 3,0mm
24	133700220355	X	SLUITRING, , 3,1mm
24	133700220026	X	SLUITRING, , 3,2mm
24	133700220147	X	SLUITRING, , 3,3mm
24	133700220027	X	SLUITRING, , 3,4mm
24	133700220142	X	SLUITRING, , 3,5mm

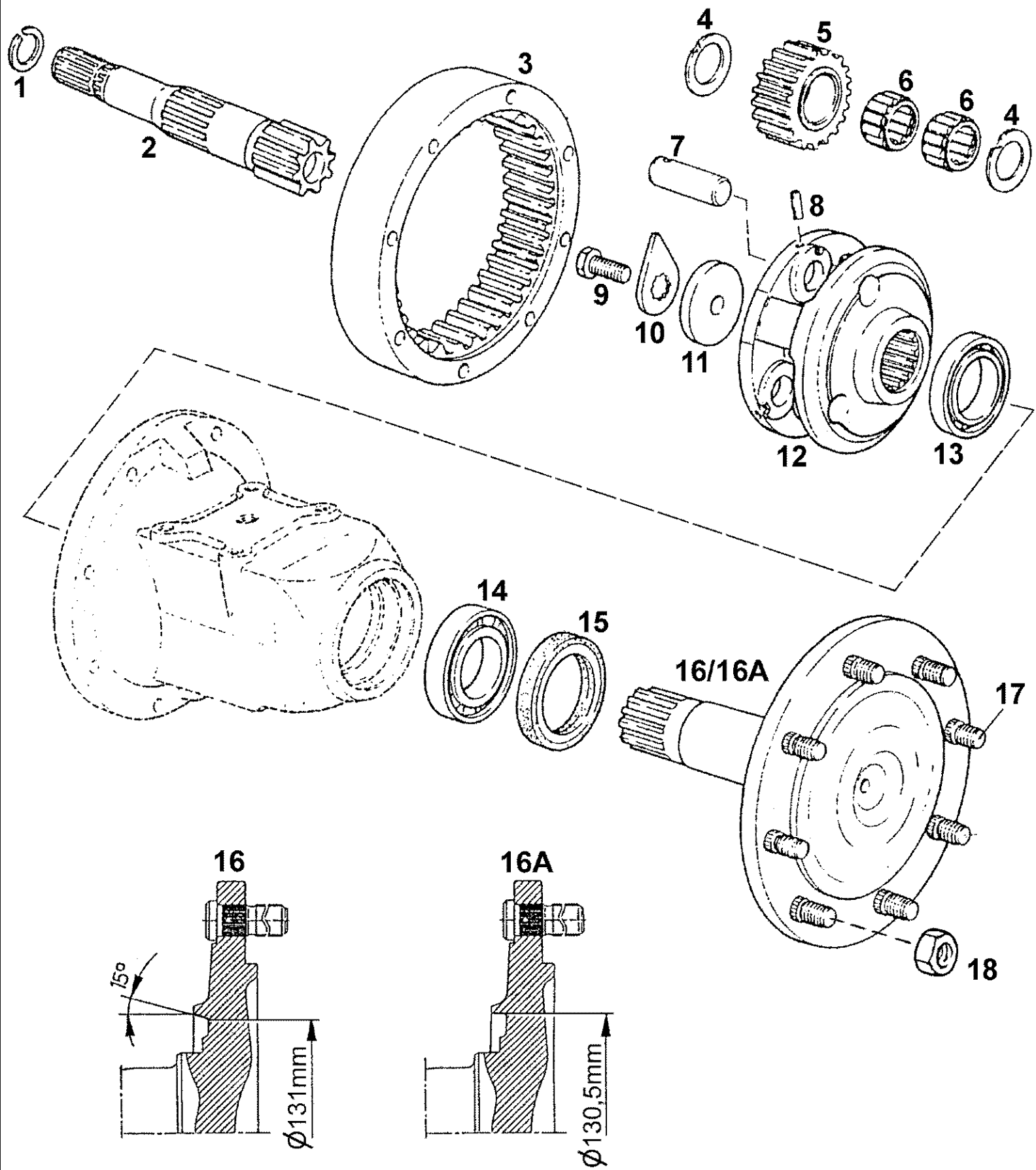
Ref	Onderdeelnummer	Kwt	Beschrijving
24	133700220143	X	SLUITRING, , 3,6mm
24	133700220144	X	SLUITRING, , 3,8mm
25	133700220180	X	SLUITRING, , 3,75mm
25	133700220181	X	SLUITRING, , 3,90mm
25	133700220182	X	SLUITRING, , 4,10mm
25	133700220185	X	SLUITRING, , 4,15mm
25	133700220186	X	SLUITRING, , 4,20mm
25	133700220187	X	SLUITRING, , 4,25mm
25	133700220183	X	SLUITRING, , 4,30mm
25	133700220437	X	SLUITRING, , 4,35mm
25	133700220184	X	SLUITRING, , 4,40mm
26	190003326627	1	LAGER, KOGEL,
27	REF	-	INSTRUCTION, , Siehe nächste Seite(n)/See next page(s)/Voir page(s) suivante(s)/Se næste side (r )/Vedere pagin(a/e) sequent(e/i)

06-27(01) DIFFERENTIAL



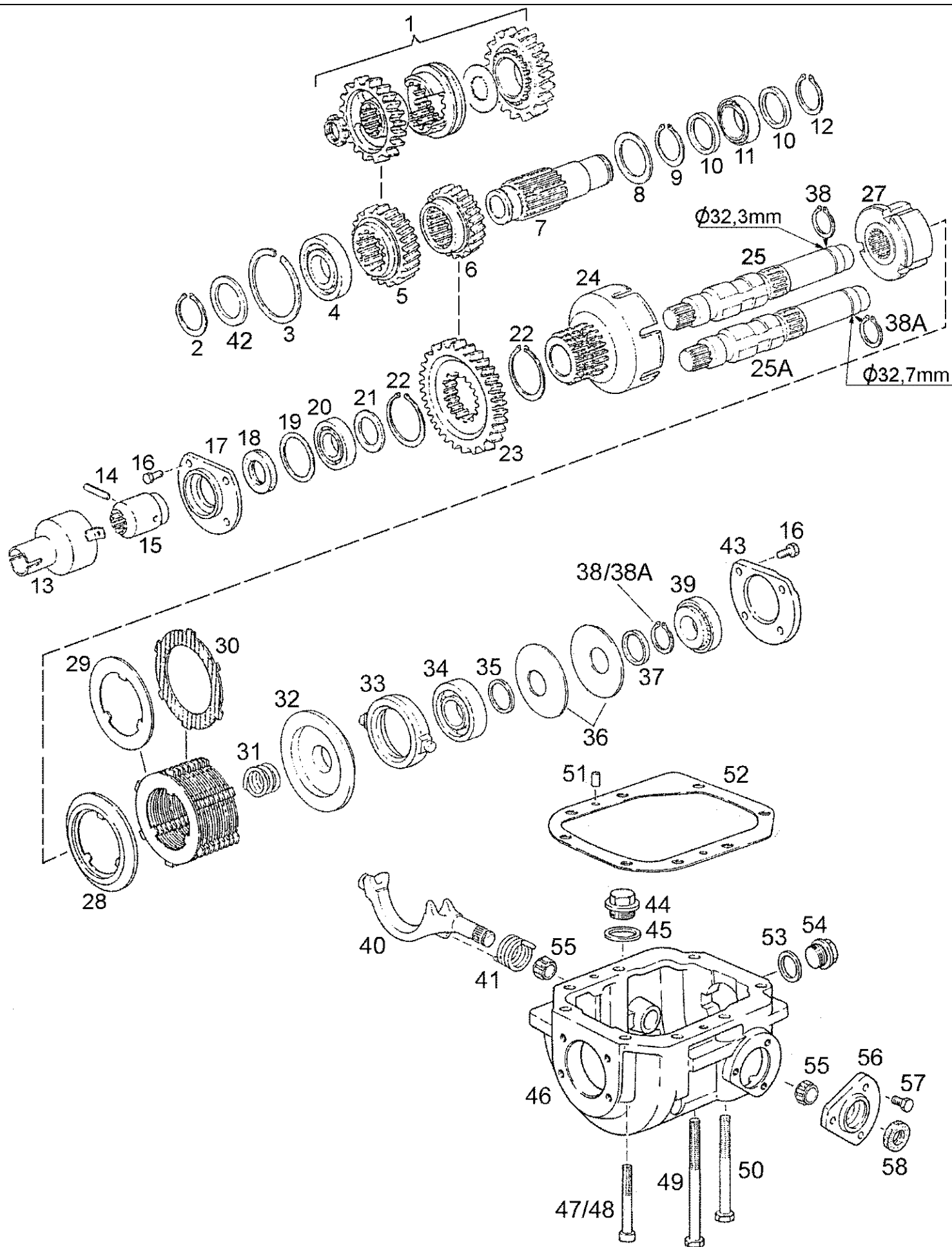
## 06-27(01) DIFFERENTIAL

Ref	Onderdeelnummer	Kwt	Beschrijving
1	190003311042	2	LAGER, KOGEL,
2	1288320105	1	RING,
3	1288320106	10	PIN, LARGE,
4	133700320502	1	HUIS,
4	133700320503	1	HUIS, , Ø166mm / ---->. . . . ; Ersetzt/Replaces/Remplace/Udskiftet/Sostituisce 133700320502
4A	153700320048	1	TANDWIELSET KOMPLEET, , Ø159mm / . . . .---->
5	1288320068	2	WASHER, THRUST,
6	153700320022	1	KONISCHE KOPPELINGEN, , 18 T
7	1190320052	4	WASHER, THRUST,
8	133700320014	4	NULLASTTANDWIEL, , 10 T
9	133700320082	1	SPIDER, DIFF.,
10	153700320021	1	KONISCHE KOPPELINGEN, , 18 T
11	133700320219	1	KONISCHE KOPPELINGEN, , 41/8 T
12	190003802528	12	SCHROEF, , M10x25-10.9
13	190003802555	8	SCHROEF, , M10x55-10.9
14	190003933100	1	RING, SNAP, , 20x1,2
15	1406070015	2	O-RING,
16	190003909653	1	SPLITPEN, , 8x36
17	153700320047	1	STEEKVORK,
18	1292320136	1	SPRING, COMPRESSION,
19	153700320032	1	AS,
20	133700320213	1	PLAAT,
21	336199	1	BOUT, Hex, M8 x 12, 8.8, Full Thd, , M8x12-8.8
22	1288320012	X	SLUITRING, , 0,1mm
22	1288320013	X	SLUITRING, , 0,2mm
22	1288320014	X	SLUITRING, , 0,4mm
22	1288320108	X	SLUITRING, , 1,0mm
23	REF	-	INSTRUCTION, , Siehe Kapitel 07/See Chapter 07/Voir Chapitre 07/Se kapitel 07/Vedere capitolo 07
24	REF	-	INSTRUCTION, , Siehe nächste Seite(n)/See next page(s)/Voir page(s) suivante(s)/Se næste side (r )/Vedere pagin(a/e) seguent(e/i)
25	1680K750027	1	RING, , ---->. . . . ; Nur mit/Only with/Selement avec/Kun med/Solo con 133700320502



## 06-28(01) PLANETARY DRIVE, AXLE SHAFT

Ref	Onderdeelnummer	Kwt	Beschrijving
1	190003936040	2	BUSHING, LARGE, , A40
2	153700320026	2	SHAFTED PINION, , 16T
3	133700320060	2	RING, ZWENKEND, , 77T
4	133700320037	12	SCHIJF,
5	133700320058	6	GEAR WHEEL, , 29T
6	133700320061	6	LAGER, NAALD,
7	133700320063	6	PIN, LARGE,
8	190003909627	6	SPANSTIFT, , 6x18
9	190003803819	2	SCHROEF, , M16x1,5x50-8.8
10	153700320028	2	SHEET,
11	153700320027	2	SCHIJF,
12	153700320025	2	PIGNON,
13	190003320023	2	LAGER,
14	153700320030	2	STEL RINGEN +0.8,
15	190003070099	2	DICHTINGSSTUK, , 85x115x15
16	153700320024	2	HALF SHAFT, , Einschließlich/Includes/Avec/Inklusive/Compreso 17
16A	153700320045	2	HALF SHAFT, , Einschließlich/Includes/Avec/Inklusive/Compreso 17
17	133700320113	16	TAPEIND,
18	190003880013	16	MOER, , A20-8



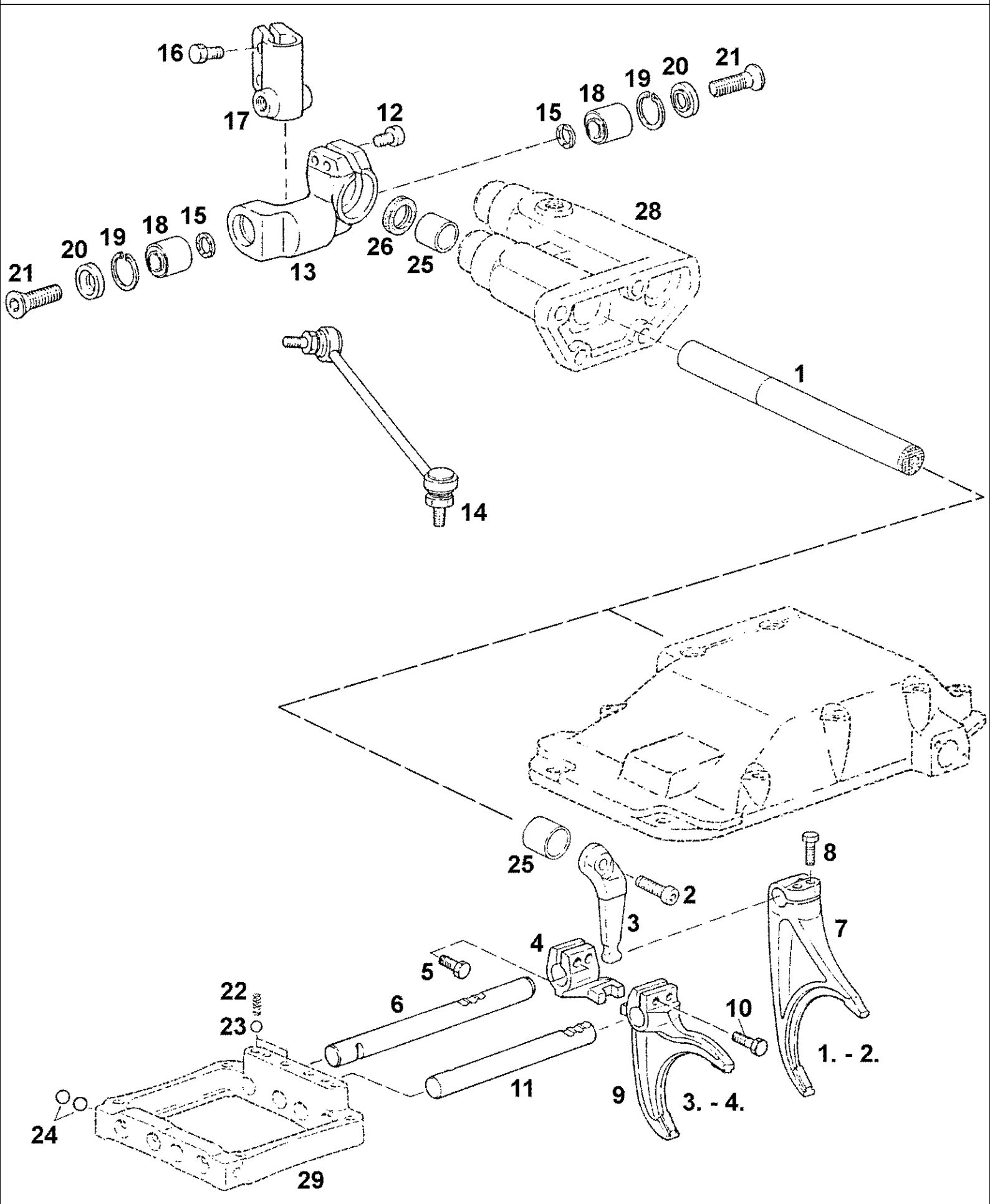
## 06-29(01) MECHANICAL FRONT DRIVE

Ref	Onderdeelnummer	Kwt	Beschrijving
1	REF	-	INSTRUCTION, , Siehe Seite(n) vorne/See Page(s) before/Voir Page/s) avant/Se side (r ) forrest/Vedere pagin(a/e) precedent(e/i)
2	190003933403	1	SNAP RING, , 50x3
3	190003935364	1	VEERRING, , SP90
4	190003323641	1	LAGER, KOGEL,
5	133700290273	1	TANDWIEL, , 28T
6	153700290010	1	TANDWIEL, , 34T
7	133700220145	1	AS,
8	133700220057	1	SCHIJF,
9	190003933971	1	RING, SNAP, , 52x3
10	133700270171	2	WASHER, THRUST,
11	133700290043	1	LAGER, NAALD, , 45/65/20
12	190003933351	1	RING, SNAP, , 45x1,75
13	133700310019	1	COVER, PROTECTIVE,
14	190003909656	1	SPANSTIFT, , 8x45
15	133700290258	1	SLEEVE, TRANSMISSION,
16	120104	8	BOUT, Hex, M8 x 20, 8.8,
17	133700290259	1	DEKSEL,
18	190003070011	1	O-RING,
19	1397290076	X	SLUITRING, , 0,10mm
19	1397290077	X	SLUITRING, , 0,15mm
19	1397290078	X	SLUITRING, , 0,40mm
20	190003326022	2	LAGER, KOGEL,
21	133700290234	1	WASHER, THRUST,
22	190003933350	2	RING, SNAP, , 70x2,5
23	155700290041	1	TANDWIEL, , 53T
23	155700290042	1	TANDWIEL, , 56T
24	133700290231	1	HOUSING, CLUTCH,
25	153700290002	1	AS, , ----> . . . .
25A	153700290029	1	AS, , . . . .---->
27	133700290232	1	LAGERBUS,
28	1288220011	1	RING, THRUST,
29	1397290105	11	RIB,
30	155700290037	10	RIB,
31	199012470034	1	SPRING, COMPRESSION,
32	153700290003	1	PAD, WEAR,
33	153700290004	1	UITWERPER,
34	190003310061	1	LAGER, KOGEL,
35	133700290077	1	SLUITRING, , 2,5mm
36	153700290005	6	SPRING, BELLEVILLE,
37	133700290077	X	SLUITRING, , 2,5mm

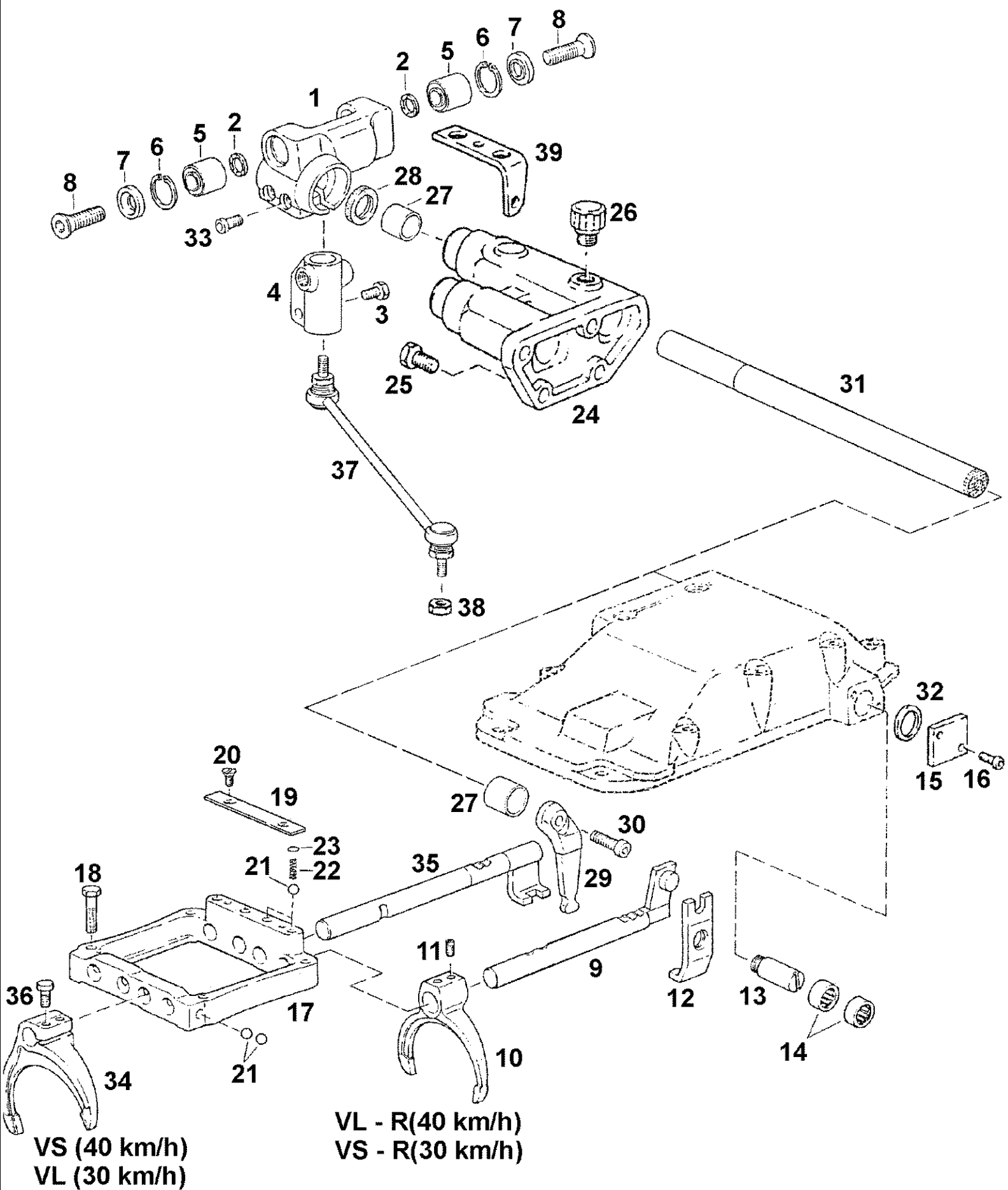


## 06-29(01) MECHANICAL FRONT DRIVE

Ref	Onderdeelnummer	Kwt	Beschrijving
37	133700290080	X	SLUITRING, , 3,0mm
37	133700290081	X	SLUITRING, , 3,5mm
37	133700290082	X	SLUITRING, , 4,0mm
37	133700290083	X	SLUITRING, , 4,5mm
37	133700290084	X	SLUITRING, , 5,0mm
37	133700290085	X	SLUITRING, , 5,5mm
37	135700290017	X	SLUITRING, , 6,0mm
37	135700290018	X	SLUITRING, , 6,5mm
38	190003933242	1	RING, SNAP, , 34x2,5 / ---->. . . .
38A	190003933253	1	SLUITRING, , 35x2,5 / . . . ---->
39	190003320123	1	STEL RINGEN +0.8,
40	153700290011	1	CRADLE,
41	153700290013	1	VEER,
42	1192270018	1	SLUITRING,
43	133700290035	1	COVER,
44	190003960010	1	SCHROEF, , M33x2
45	190003098071	1	DICHTINGSRING, , A33x39-CU
46	153700290019	1	HUIS,
47	190003862665	2	SCHROEF, , M12x90-10.9
48	190003862674	1	SCHROEF, , M12x100-10.9
49	190003800699	1	SCHROEF, , M12x160-8.8
50	190003800654	4	SCHROEF, , M12x130-10.9
51	190003901507	2	PEN, , 10m6x16
52	133700290153	X	DIKTEPLAAT, , 0,2mm
52	133700290154	X	SLUITRING, , 0,3mm
53	190003098086	1	DICHTINGSRING, , A30x36-CU
54	190003960010	1	SCHROEF, , M33x2
55	1480270052	2	LAGER, NAALD,
56	153700290012	1	COVER,
57	120104	3	BOUT, Hex, M8 x 20, 8.8,
58	190003078150	1	DICHTINGSSTUK,

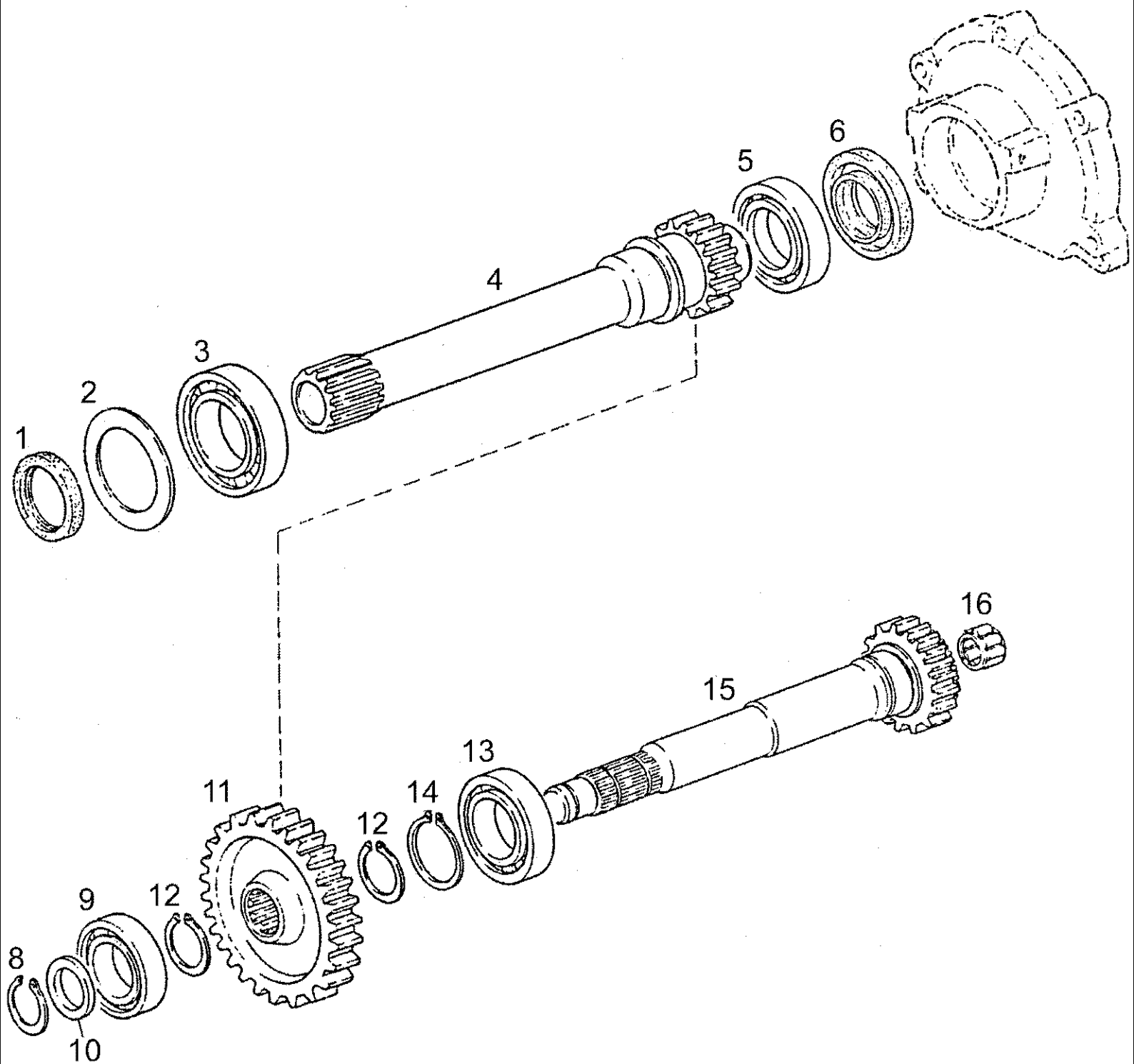


Ref	Onderdeelnummer	Kwt	Beschrijving
1	153700240118	1	PIN, LARGE,
2	190003862538	1	SCHROEF, , M10x40-10.9
3	153700240116	1	VINGER,
4	153700240101	1	MEENEEMSTUK,
5	43127	2	BOUT, Hex, M8 x 25, 8.8,
6	153700240124	1	STANG,
7	153700240140	1	STEEKVORK,
8	43127	2	BOUT, Hex, M8 x 25, 8.8,
9	153700240102	1	STEEKVORK,
10	43127	2	BOUT, Hex, M8 x 25, 8.8,
11	153700240005	1	STANG,
12	190003862532	2	SCHROEF, , M10x30-8.8
13	153700240134	1	HUIS,
14	153700240133	1	LINK, UPPER,
15	190003930332	2	BORGVEER, , A13
16	43127	2	BOUT, Hex, M8 x 25, 8.8,
17	155700240143	1	KOPPELING,
18	155700240118	2	LAGERBUS,
19	190003934150	2	RING, SNAP, , 30x1,2
20	155700240109	2	SCHIJF,
21	190003860196	2	SCHROEF, , M12x50-8.8
22	155700240051	2	VEER,
23	190003330183	1	KOGEL, , Ø10mm
24	190003330222	2	KOGEL, , Ø12mm
25	155700240121	2	LAGER,
26	155700240122	1	RING, SCRAPER,
28	REF	-	INSTRUCTION, , Siehe nächste Seite(n)/See next page(s)/Voir page(s) suivante(s)/Se næste side (r )/Vedere pagin(a/e) sequent(e/i)
29	REF	-	INSTRUCTION, , Siehe nächste Seite(n)/See next page(s)/Voir page(s) suivante(s)/Se næste side (r )/Vedere pagin(a/e) sequent(e/i)

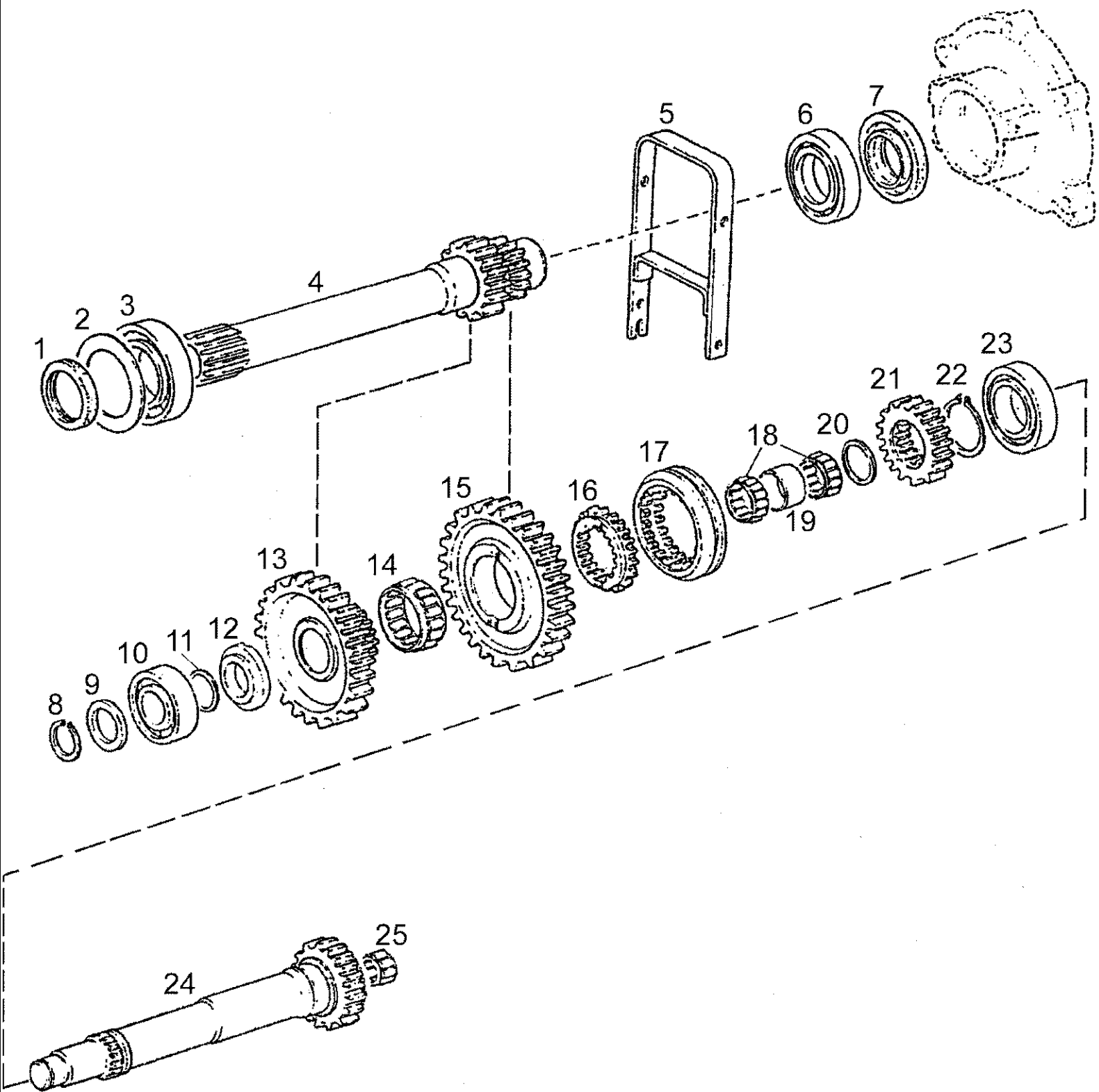


## 06-31(01) CONTROL RANGE

Ref	Onderdeelnummer	Kwt	Beschrijving
1	155700240144	1	HUIS,
2	153700240160	2	VEERRING, , A13
3	43127	2	BOUT, Hex, M8 x 25, 8.8,
4	155700240143	1	KOPPELING,
5	155700240118	2	LAGERBUS,
6	190003934150	2	RING, SNAP, , 30x1,2
7	155700240109	2	SCHIJF,
8	190003860196	2	SCHROEF, , M12x50-8.8
9	153700240112	1	STANG,
10	153700240125	1	STEEKVORK,
11	190003902746	2	SCHROEF, , M10x16
12	153700240108	1	KRUKARM,
13	153700240113	1	PIVOT ASSY.,
14	153700240023	2	LAGER,KOPPELING DRUKPLAA, , HK2012
15	153700240114	1	COVER,
16	190003862426	2	SCHROEF, , M8x18-8.8
17	153700240120	1	RAAM,
18	190003800529	4	SCHROEF, , M10x40-8.8
19	1292240041	1	PANEELWERK,
20	190003862016	2	SCHROEF, , M8x16-10.9
21	190003330183	4	KOGEL, , Ø10mm
22	155700240051	2	VEER,
23	133700240009	2	SCHIJF,
24	153700240138	1	AAN-UIT SCHAKELAAR,
25	190003802527	4	SCHROEF, , M10x30-8.8
26	155700240037	1	ONTLUCHTER,
27	155700240121	2	LAGER,
28	155700240122	1	RING, SCRAPER,
29	153700240117	1	VINGER,
30	190003862538	1	SCHROEF, , M10x40-10.9
31	153700240105	1	AS,
32	153700240028	1	SCHIJF, , 0,5mm
32	153700240027	1	SCHIJF, , 1,0mm
33	190003862532	2	SCHROEF, , M10x30-8.8
34	153700240127	1	STEEKVORK,
35	153700240107	1	STANG,
36	43127	2	BOUT, Hex, M8 x 25, 8.8,
37	153700240137	1	LINK, UPPER,
38	100016	1	MOER, M10, CI 8,
39	1-34-544-226	1	HOEKIJZER,

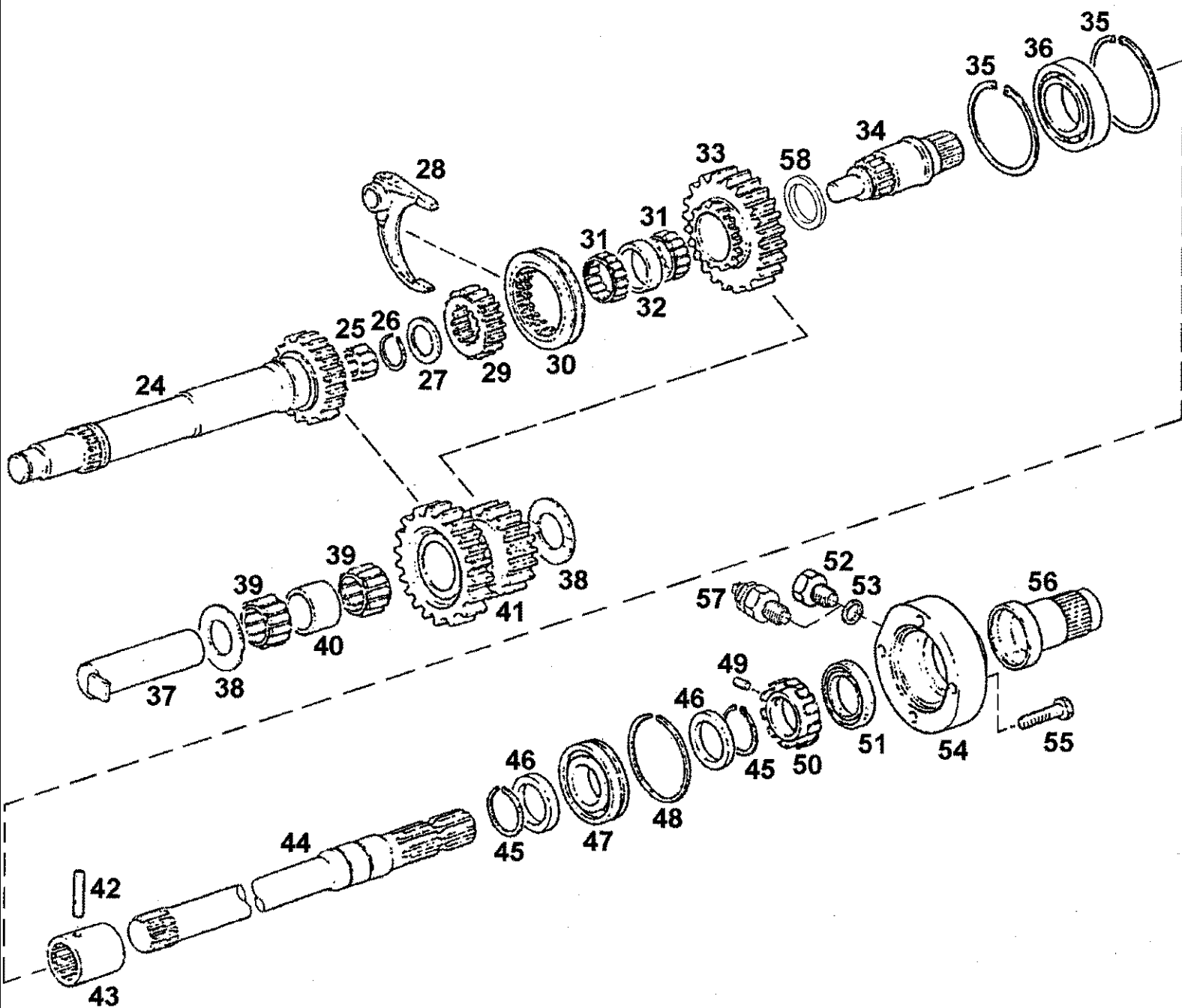


Ref	Onderdeelnummer	Kwt	Beschrijving
1	190003070130	1	DICHTINGSSTUK, , 55x70x8
2	11800260009	X	PLAT RINGETJE, , 0,1mm
2	1-99-907-078	X	PLAT RINGETJE, , 0,5mm
2	1-99-907-080	X	PLAT RINGETJE, , 0,8mm
3	190003311033	1	LAGER,
4	155700270059	1	AS, , 23T
5	155700220153	1	LAGER,
6	190003070090	1	DICHTINGSSTUK,
8	190003933200	1	RING, SNAP, , 30x1,5
9	190003311418	1	LAGER, KOGEL,
10	1292270016	1	SCHIJF,
11	133700270093	1	TANDWIEL, , 49T
12	190003933251	2	RING, SNAP, , 35x1,5
13	190003321730	1	LAGER,
14	190003933400	1	RING, SNAP, , 50x2
15	153700270046	1	AFTAKAS, , 21T
16	REF	-	INSTRUCTION, , Siehe nächste Seite(n)/See next page(s)/Voir page(s) suivante(s)/Se næste side (r )/Vedere pagin(a/e) sequent(e/i)

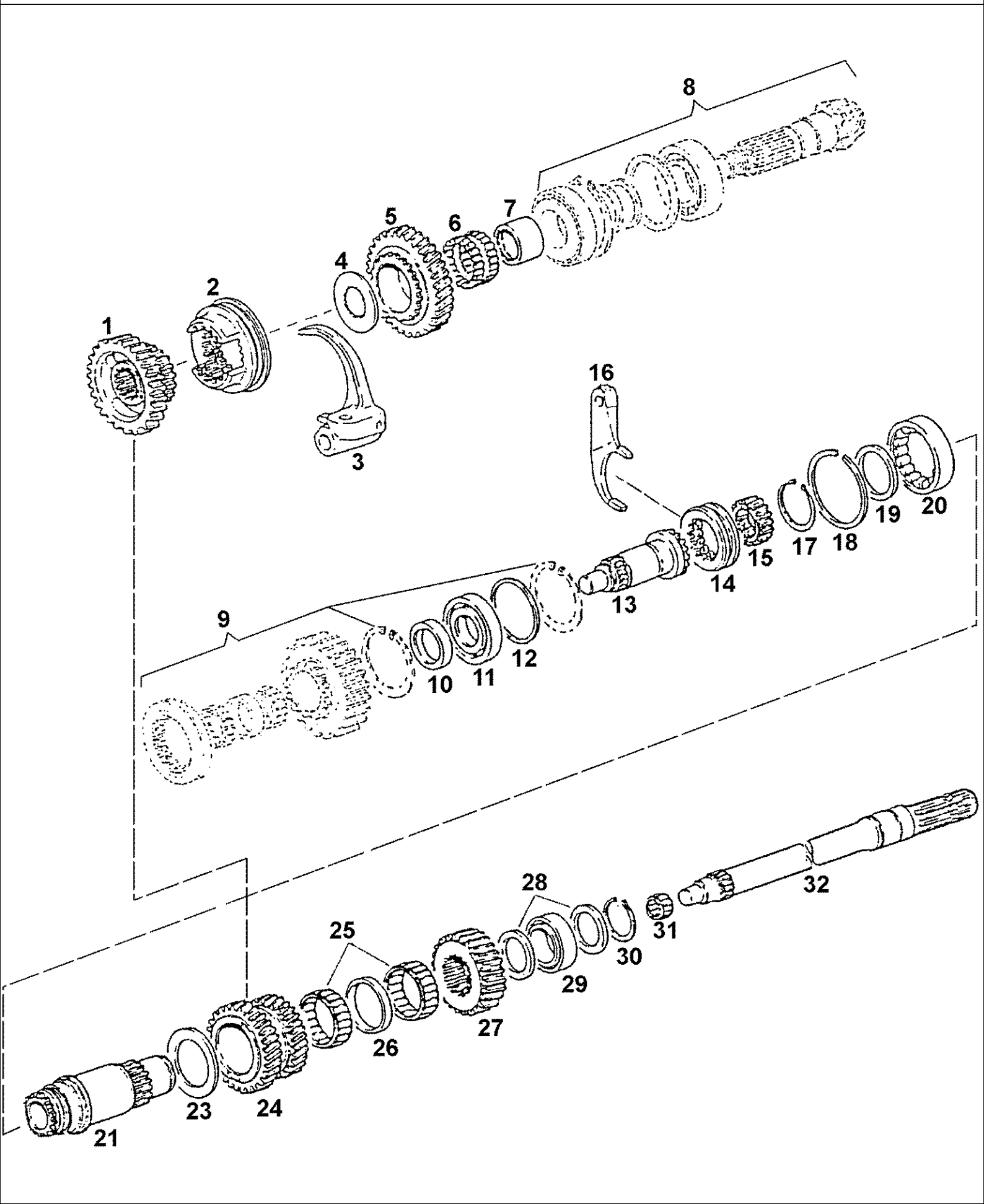




Ref	Onderdeelnummer	Kwt	Beschrijving
1	190003070130	1	DICHTINGSSTUK, , 55x70x8
2	11800260009	X	PLAT RINGETJE, , 0,1mm
2	1-99-907-078	X	PLAT RINGETJE, , 0,5mm
2	1-99-907-080	X	PLAT RINGETJE, , 0,8mm
3	190003311033	1	LAGER,
4	155700270058	1	AS, , 19/23T
5	REF	-	INSTRUCTION, , Siehe Zapfwellenbetätigung/See P.T.O. control/Voir controle de Prise de Force/Se kraftudtagbetjening/Vedere azionamento della presa di forza
6	155700220153	1	LAGER,
7	190003070090	1	DICHTINGSSTUK,
8	190003933200	1	RING, SNAP, , 30x1,5
9	1292270016	1	SCHIJF,
10	190003311518	1	LAGER, KOGEL,
11	190003930006	1	SCHIJF, , 35x45x1,0
12	153700270048	1	WASHER, THRUST,
13	155700270057	1	TANDWIEL, , 49T
14	1395220158	1	LAGER, NAALD, , K60x65x30
15	155700270072	1	TANDWIEL, , 53 T
16	135700270054	1	AANDRIJFKLAUW,
17	135700270056	1	SLEEVE, TRANSMISSION,
18	1180A280030	2	LAGER, NAALD,
19	135700270058	1	AFSTANDSSTUK VOOR BUIZEN,
20	1397290158	1	SLUITRING,
21	153700270002	1	SATELIETDRAGER,
22	190003933400	1	RING, SNAP, , 50x2
23	190003321730	1	LAGER,
24	153700270062	1	AFTAKAS,
25	REF	-	INSTRUCTION, , Siehe nächste Seite(n)/See next page(s)/Voir page(s) suivante(s)/Se næste side (r )/Vedere pagin(a/e) sequent(e/i)

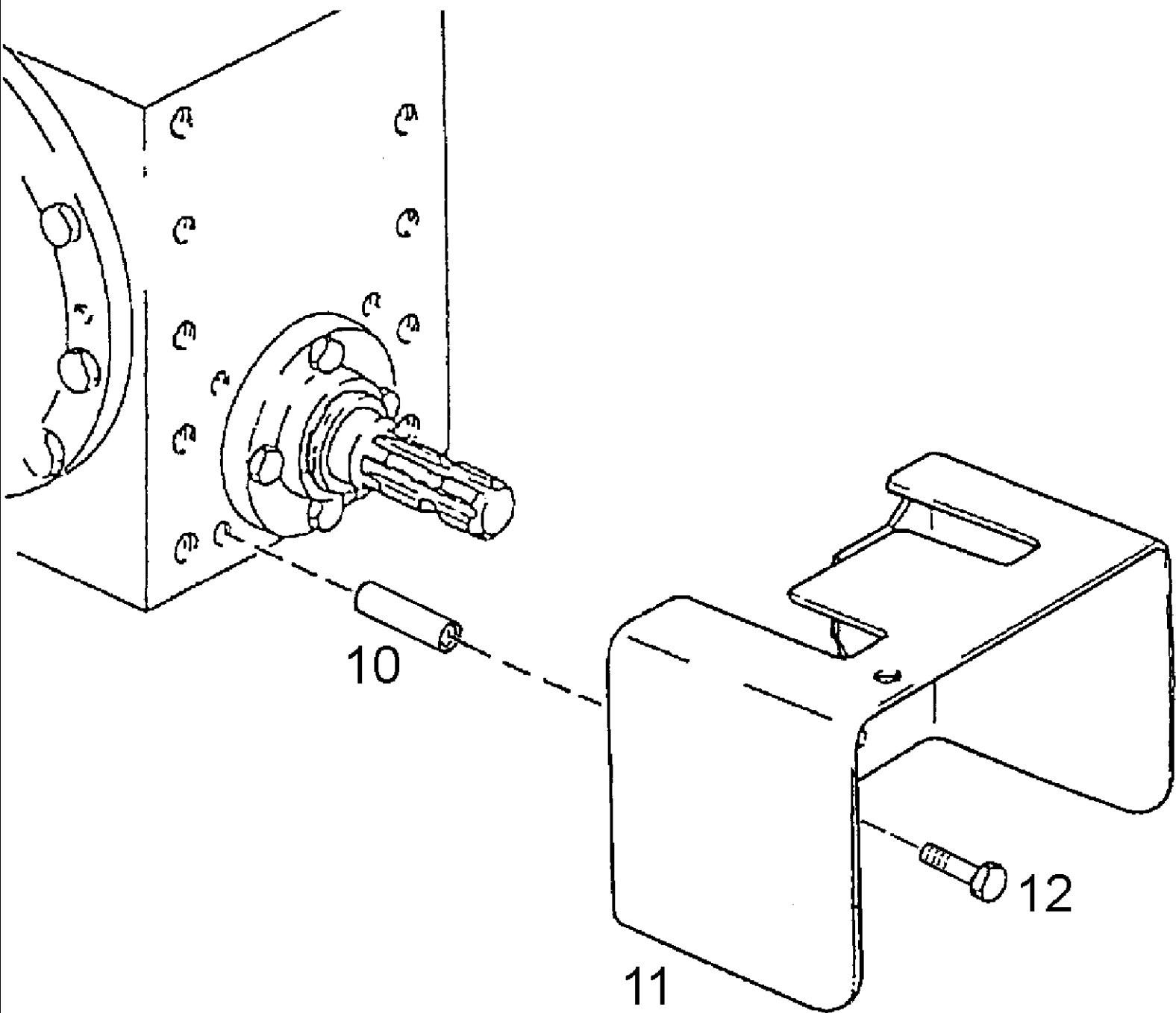


Ref	Onderdeelnummer	Kwt	Beschrijving
24	REF	-	INSTRUCTION, , Siehe Seite(n) vorne/See Page(s) before/Voir Page(s) avant/Se side (r ) forrest/Vedere pagin(a/e) precedent(e/i)
25	1409020024	1	NEEDLE CAGE,
26	190003933200	1	RING, SNAP, , 30x1,5
27	1292270016	1	SCHIJF,
28	REF	-	INSTRUCTION, , Siehe Zapfwellenbetätigung/See P.T.O. control/Voir controle de Prise de Force/Se kraaftudtagbetjening/Vedere azionamento della presa di forza
29	1292220178	1	BEHUIZING, SYNCHRONISATIE,
30	133700270087	1	SLEEVE, TRANSMISSION,
31	1188220061	2	NEEDLE CAGE,
32	133700270092	1	AFSTANDSRING,
33	133700270080	1	TANDWIEL, , 28 T
34	133700270085	1	JACKSHAFT,
35	190003934400	2	BORGVEER, , 80x2,5
36	190003311421	1	LAGER, KOGEL,
37	133700270213	1	PIN, PIVOT,
38	133700270079	2	WASHER, THRUST,
39	133700270089	2	NEEDLE CAGE, , K35x50x0,6x30,5
40	133700270084	1	LAGERBUS,
41	133700270078	1	TANDWIEL BIJ WIEL, , 28/21T
42	190003909634	1	SPANSTIFT, , 6x50
43	133700270096	1	SLEEVE, TRANSMISSION,
44	133700270482	1	AFTAKAS,
45	190003933304	2	BORGVEER, , 40x2,5
46	1188220063	2	WASHER, THRUST,
47	190003311124	1	LAGER, KOGEL,
48	190003935362	1	VEERRING, , SP80
49	190003902708	1	SCHROEF, , M6x10
50	133700270473	1	ZENDER,
51	190003074426	1	DICTINGSSTUK, , 40x62x8
52	190003962035	1	SCHROEF, , M18x1,5
53	190003098020	1	DICTINGSRING, , A18x22-CU
54	133700272208	1	BEARING COVER,
55	190003802547	4	SCHROEF, , M10x50-8.8
56	1288270096	1	COVER, PROTECTIVE,
57	155700710025	1	SENSOR, , 25mm lg
58	1188220063	1	WASHER, THRUST,

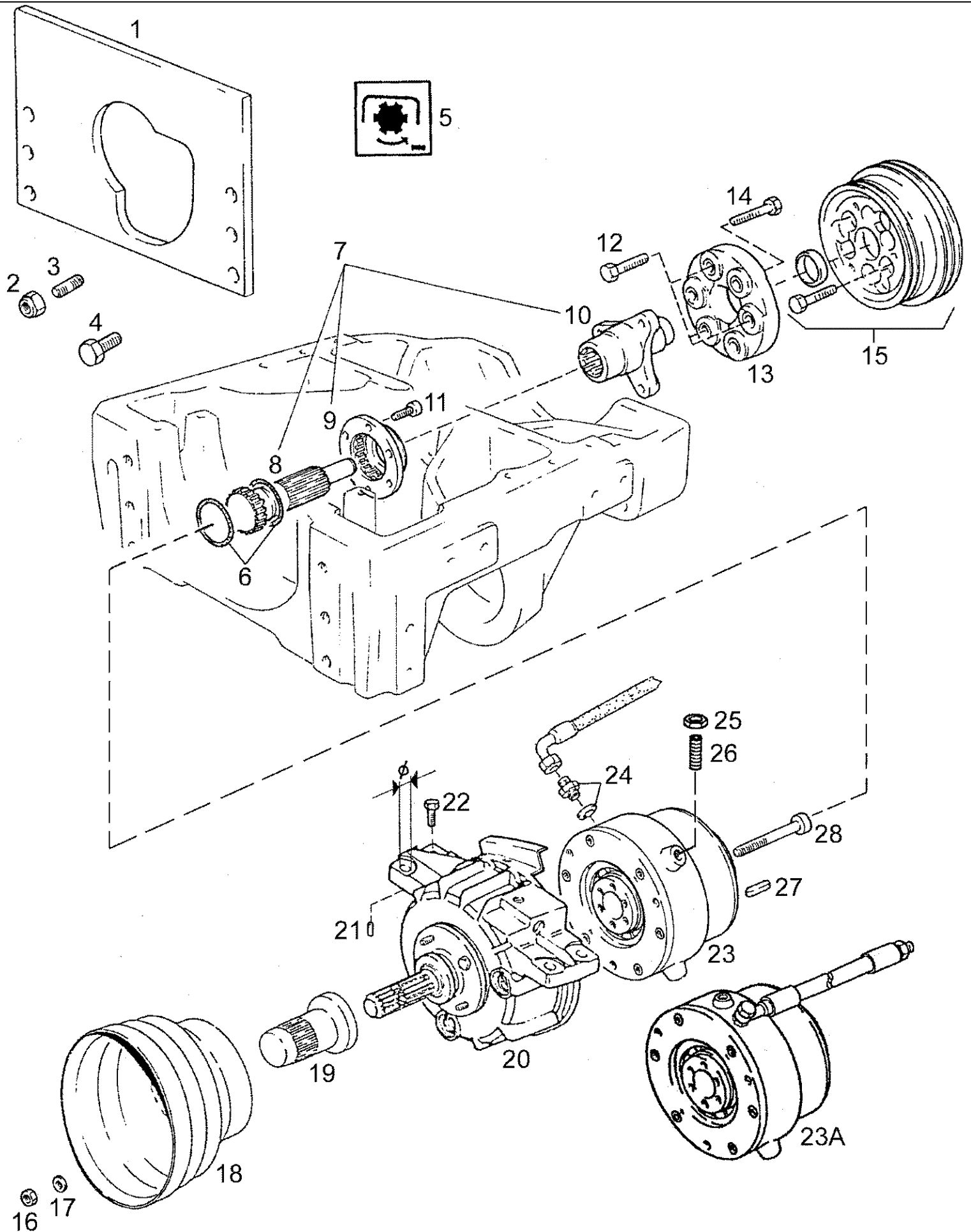


## 06-35(01) GROUND SPEED PTO-SHAFT

Ref	Onderdeelnummer	Kwt	Beschrijving
1	133700290105	1	TANDWIEL BIJ WIEL, , 33T
2	133700290106	1	SLEEVE, TRANSMISSION,
3	133700240086	1	STEEKVORK,
4	133700220132	1	SCHIJF,
5	133700220136	1	TANDWIEL, , 34T
6	133700270157	1	LAGER, NAALD, , K48/60/35
7	133700220353	1	SLEEVE ASSY,
8	REF	-	INSTRUCTION, , Siehe Seite(n) vorne/See Page(s) before/Voir Page/s) avant/Se side (r ) forrest/Vedere pagin(a/e) precedent(e/i)
9	REF	-	INSTRUCTION, , Siehe Zapfwelle/See power-take-off/Voir prise de force/Se kraftudtag/Vedere presa di forza
10	133700270158	1	AFSTANDSRING,
11	133700272090	1	LAGER, KOGEL,
12	1480290073	1	SLUITRING,
13	133700270160	1	JACKSHAFT,
14	133700270159	1	SLEEVE, TRANSMISSION,
15	133700270161	1	TANDWIEL BIJ WIEL,
16	REF	-	INSTRUCTION, , Siehe Zapfwellenbetätigung/See P.T.O. control/Voir controle de Prise de Force/Se kraftudtagbetjening/Vedere azionamento della presa di forza
17	190003933430	1	SLUITRING, , 55x3
18	190003935364	1	VEERRING, , SP90
19	133700270172	1	SCHIJF,
20	190003322333	1	LAGER, KOGEL,
21	133700290115	1	AS,
23	1395220165	1	SLUITRING,
24	153700290009	1	TANDWIEL BIJ WIEL, , 28/34 T
25	1395220158	2	LAGER, NAALD, , K60x65x30
26	133700290114	1	AFSTANDSRING,
27	133700272130	1	TANDWIEL, , 26 T
28	133700270171	2	WASHER, THRUST,
29	133700290043	1	LAGER, NAALD, , 45/65/20
30	190003933353	1	RING, SNAP, , 45x2,5
31	1188220066	1	LAGER, NAALD, , K20x28x20C
32	133700272001	1	AFTAKAS,



Ref	Onderdeelnummer	Kwt	Beschrijving
10	133700940002	4	AFSTANDSSTUK VOOR BUIZEN,
11	133700940004	1	COVER, PROTECTIVE,
12	190003800653	4	SCHROEF, , M12x70-8.8-A3C



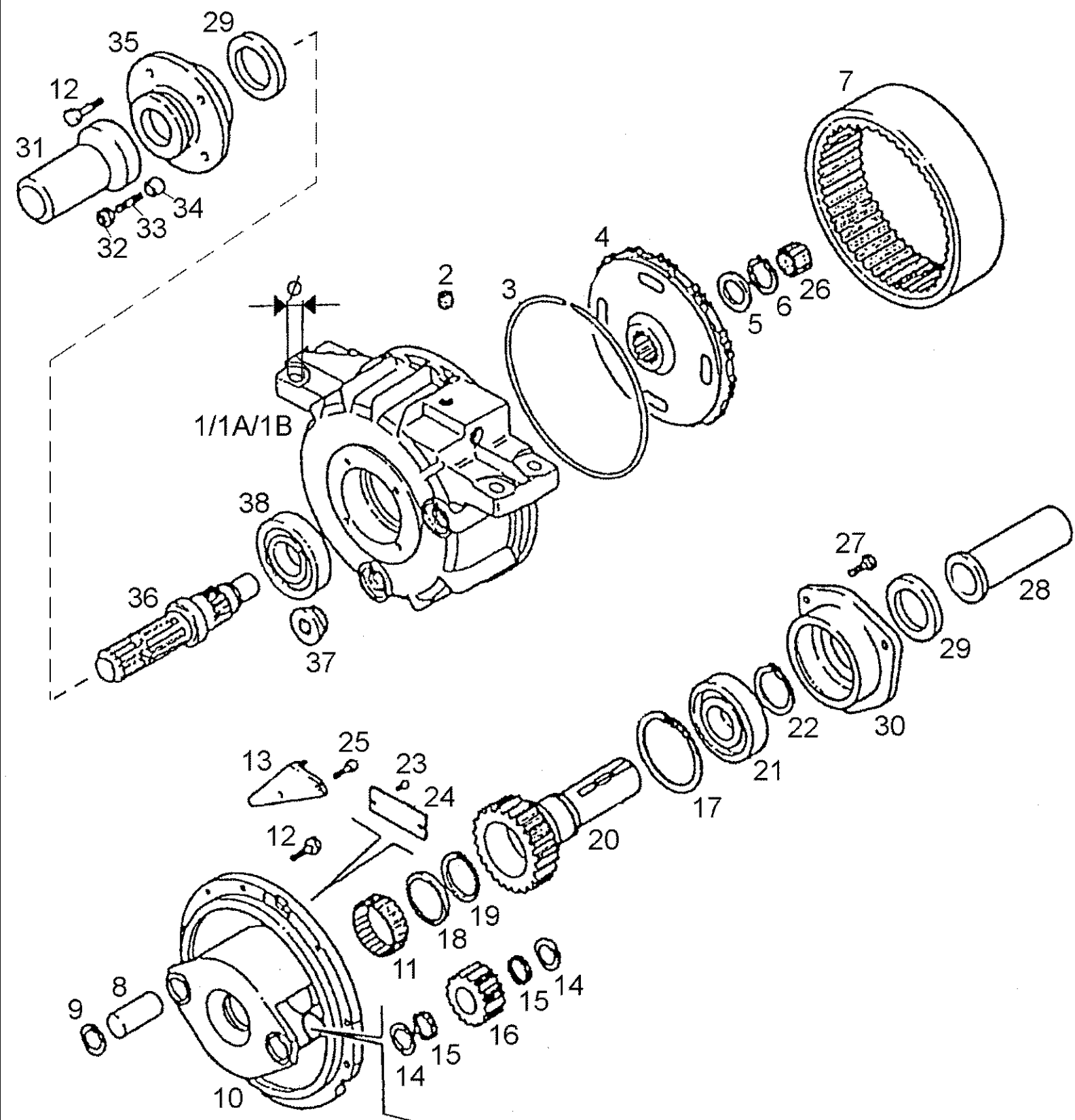


Ref	Onderdeelnummer	Kwt	Beschrijving
1	1-35-127-102	1	PLAAT,
2	832-46416	2	NUT, LOCK, M16 x 2, CI 8, , VM16-8
3	190003813829	2	TAPEIND, , M16x30-8.8
4	43167	4	BOUT, Hex, M16 x 30, 8.8, Full Thd, , M16x30-8.8
5	1-34-577-318	1	DECAL,
6	135700470024	2	SEAL ASSY., , 47,2x5,7
7	1-35-127-109	1	KOPPELING, , Besteht aus/Consists of/Compose de/Bestående af/È composto da 8 - 10
8	1-35-127-106	1	SHAFT ASSY.,
9	47056270	1	FLENS,
10	1-35-127-107	1	AANDRIJFKLAUW,
11	190003862432	6	SCHROEF, , M8x25-10.9
12	190003800160	3	SCHROEF, , M12x50-10.9 / ---->03626
12	190003801094	3	SCHROEF, , M12x65-10.9 / 03627---->
13	137700290068	1	SCHIJF,
14	190003800028	3	SCHROEF, , M12x45-10.9 / ---->03626
14	190003862642	3	SCHROEF, , M12x50-10.9 / 03627---->
15	REF	-	INSTRUCTION, , Siehe Kurbelwelle/See crankshaft/Voir vilebrequin/Se krumtapaksel/Vedere albero motore
16	43362	2	MOER, M8, CI 10,
17	190003930261	4	SLUITRING, , A8,4
18	47056296	1	AFSCHERMING,
19	1288270096	1	COVER, PROTECTIVE,
20	1-35-127-103	1	AFTAKAS VOORAAN,KPL, , Ø11mm / ---->01918; Siehe nächste Seite(n)/See next page(s)/Voir page(s) suivante(s)/Se næste side (r )/Vedere pagin(a/e) sequent(e/i)
20	1-35-127-128	1	, Ø13mm / 01919 ---->02155; Siehe nächste Seite(n)/See next page(s)/Voir page(s) suivante(s)/Se næste side (r )/Vedere pagin(a/e) sequent(e/i)
20	1-35-127-129	1	AFTAKAS VOORAAN,KPL, , Ø13mm / 02156 ---->03342; Einschließlich/Includes/Avec/Inklusive/Compreso pin,dowel, Siehe nächste Seite(n)/See next page(s)/Voir page(s) suivante(s)/Se næste side (r )/Vedere pagin(a/e) sequent(e/i)
20	1-35-127-230	1	AFTAKAS VOORAAN,KPL, , Ø13mm / 03343 ---->; Einschließlich/Includes/Avec/Inklusive/Compreso pin,dowel, Siehe nächste Seite(n)/See next page(s)/Voir page(s) suivante(s)/Se næste side (r )/Vedere pagin(a/e) sequent(e/i)
21	1-33-121-008	2	STEL PEN, , 02156 ---->
22	190003802544	4	SCHROEF, , M10x30-10.9 / ---->01918
22	190003802637	4	SCHROEF, , M12x35-10.9 / 01919 ---->
23	1-35-127-104	1	KOPPELING, , ---->04102; Siehe nächste Seite(n)/See next page(s)/Voir page(s) suivante(s)/Se næste side (r )/Vedere pagin(a/e) sequent(e/i)
23A	1-35-127-178	1	KOPPELING, , 04103 ---->; Siehe nächste Seite(n)/See next page(s)/Voir page(s) suivante(s)/Se næste side (r )/Vedere pagin(a/e) sequent(e/i)
24	REF	-	INSTRUCTION, , Siehe nächste Seite(n)/See next page(s)/Voir page(s) suivante(s)/Se næste side (r )/Vedere pagin(a/e) sequent(e/i)

M968 STEYR TRACTOR / --->04939 (6/97-3/99) - Aandrijflijn

06-37(01) FRONT P.T.O., BUILT-IN

Ref	Onderdeelnummer	Kwt	Beschrijving
25	337475	1	MOER, M12, CI 10,
26	190003900309	1	PEN, , M12x50
27	190003960076	1	INLEGSPIE, , A10x8x70
28	190003802681	1	SCHROEF, , M12x100-8.8

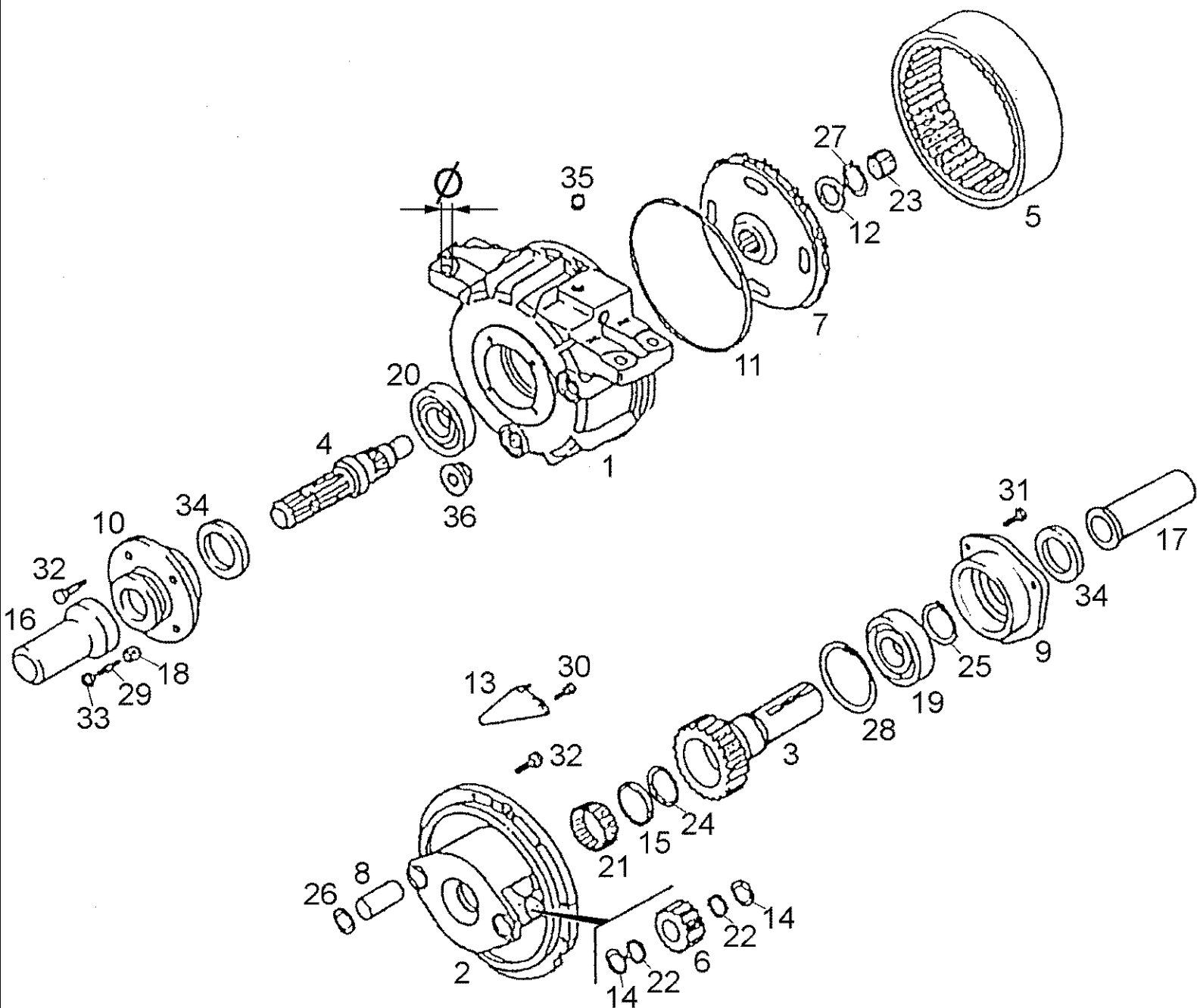


Ref	Onderdeelnummer	Kwt	Beschrijving
	1-35-127-103	1	AFTAKAS VOORAAN,KPL, , Ø11mm / ---->01918; Besteht aus/Consists of/Compose de/Bestående af/È composto da 1, 2 - 38
	1-35-127-128	1	, Ø13mm / 01919 ---->02155; Besteht aus/Consists of/Compose de/Bestående af/È composto da 1A, 2 - 38
	1-35-127-129	1	AFTAKAS VOORAAN,KPL, , Ø13mm / 02156 ---->03342; Besteht aus/Consists of/Compose de/Bestående af/È composto da 1B, 2 - 38
1	1-35-727-001	1	HUIS, , Ø11mm
1A	NSS	-	NIET ALLEEN VERKRIJGBAAR, , Ø13mm
1B	NSS	-	NIET ALLEEN VERKRIJGBAAR, , Ø13mm
2	190003960079	1	SCHROEF, , M16x1,5
3	1-33-742-633	1	SLUITRING,
4	1-35-727-002	1	BEARING COVER,
5	1-35-727-007	1	SCHIJF,
6	190003933200	1	RING, SNAP, , 30x1,5
7	1-33-742-642	1	KROONWIEL,
8	1-35-727-010	2	PIN, LARGE,
9	190003934112	2	SLUITRING, , 22x1
10	1-35-727-012	1	PIGNON,
11	1-35-727-015	1	LAGER, NAALD,
12	1-33-742-657	10	SCHROEF, , M8x22
13	1-35-727-017	1	HOEKSTUK,
14	1-35-727-011	4	SCHIJF,
15	1-35-727-014	4	LAGER, NAALD,
16	1-35-727-013	2	GEAR WHEEL,
17	190003930119	1	SLUITRING, , 85x4
18	1-35-727-016	1	SCHIJF,
19	1-35-727-020	1	BUSHING, LARGE,
20	1-35-727-006	1	SHAFTED PINION,
21	190003311327	1	LAGER,
22	190003934225	1	SLUITRING, , 45x1,75
23	137700410809	2	PIN, HEADLESS,
24	1-35-727-000	1	MODELIDENTIFIKATIEPLAATJ,
25	43127	2	BOUT, Hex, M8 x 25, 8.8,
26	137700270073	1	LAGER, NAALD,
27	190003862015	5	SCHROEF, , M8x25-10.9
28	1-35-727-009	1	LOOM,
29	1-35-727-019	2	DICHTINGSSTUK,
30	1-35-727-004	1	LAGER,
31	1-35-727-008	1	AFSCHERMING,
32	43362	2	MOER, M8, CI 10,
33	190003813447	2	SCHROEF, , M8x35-8.8

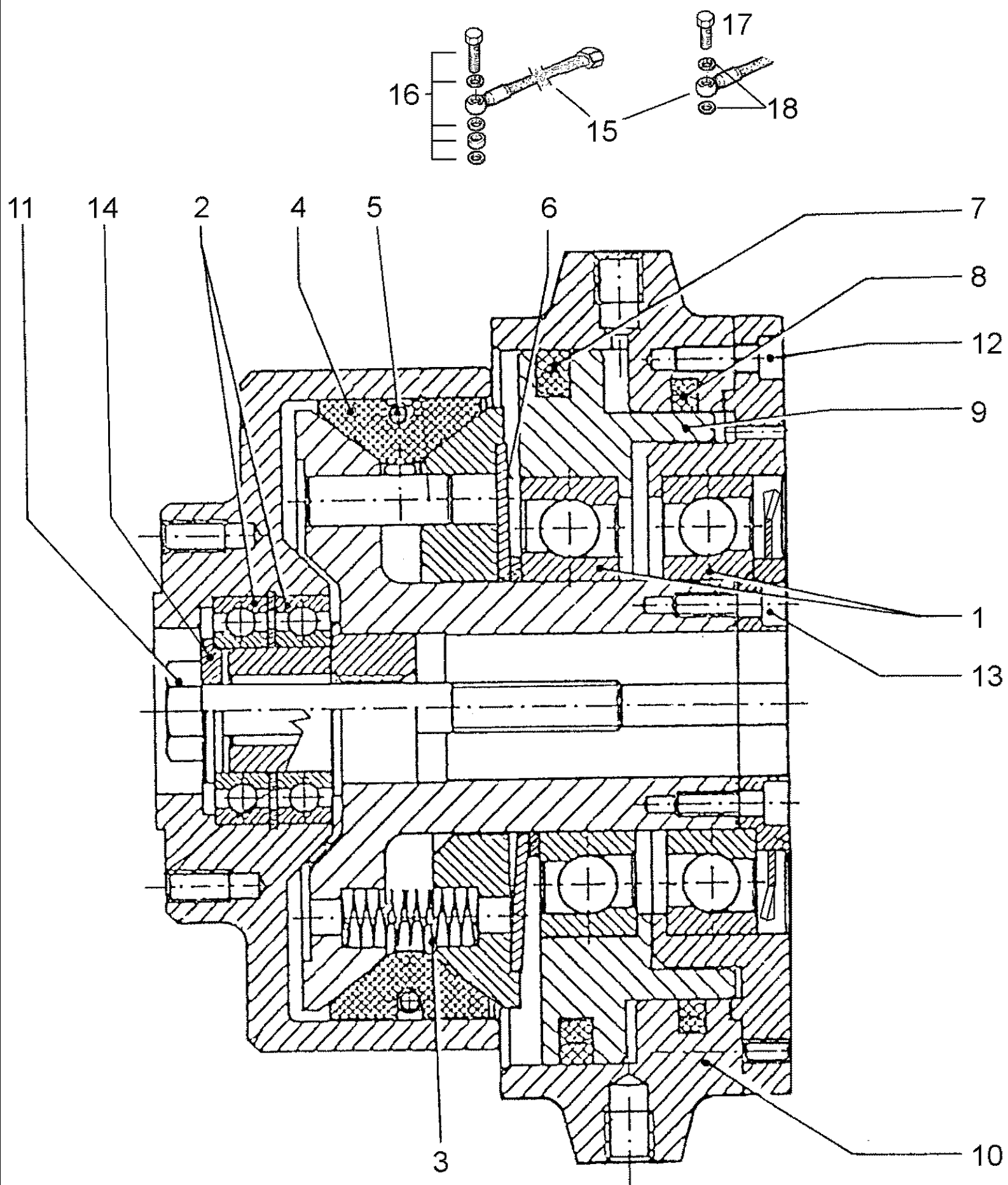
M968 STEYR TRACTOR / --->04939 (6/97-3/99) - Aandrijflijn

06-38(01) FRONT P.T.O. TRANSMISSION, DISASSEMBLED / ---->03342

Ref	Onderdeelnummer	Kwt	Beschrijving
34	1-35-727-018	2	LAGERBUS,
35	1-35-727-003	1	BEARING COVER,
36	1-35-727-005	1	AS,
37	137700440812	2	SCHROEF, , M30x2
38	190003311421	1	LAGER, KOGEL,



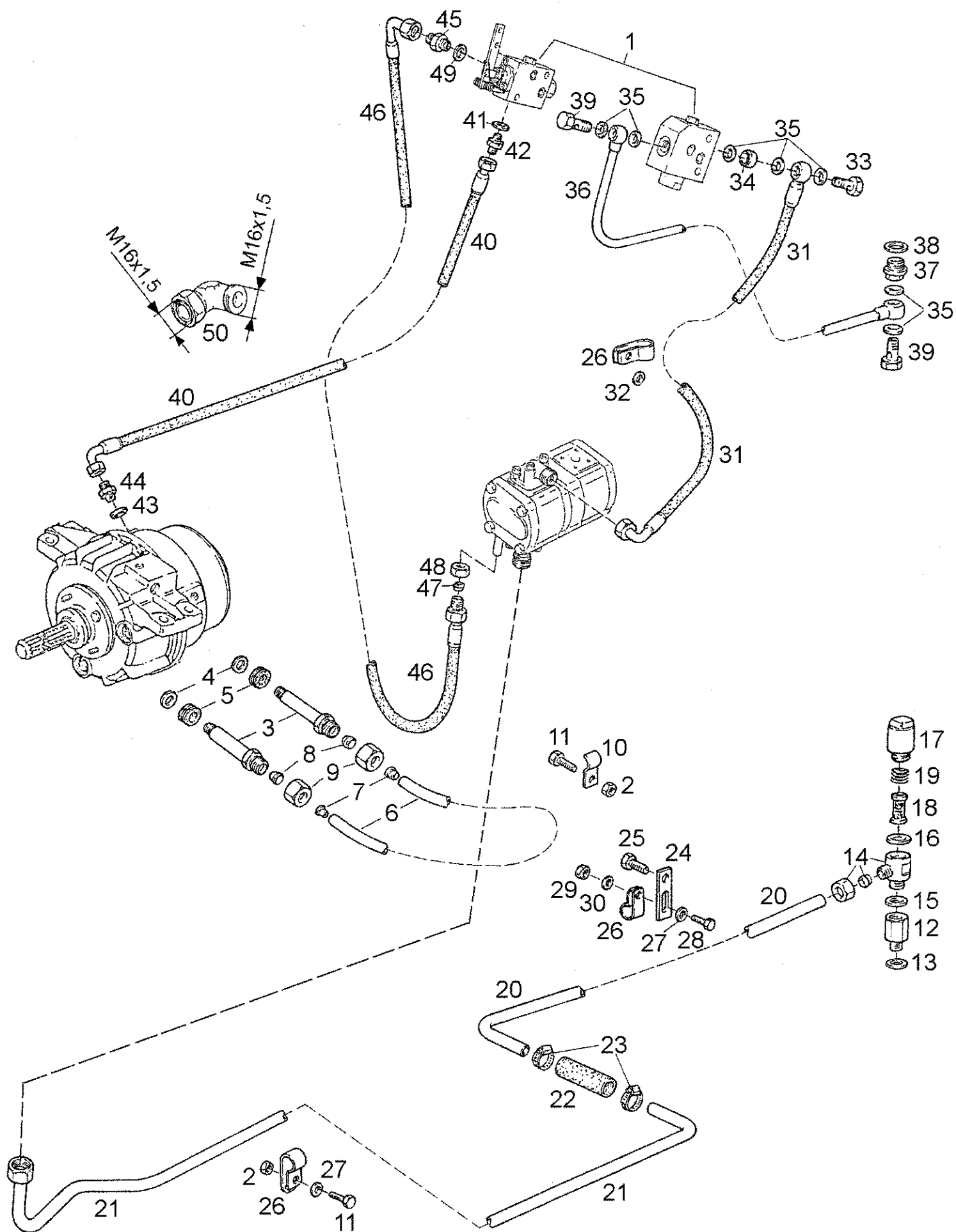
Ref	Onderdeelnummer	Kwt	Beschrijving
	1-35-127-230	1	AFTAKAS VOORAAN,KPL, , Ø13mm; Besteht aus/Consists of/Compose de/Bestående af/È composto da 1 - 36
1	1-35-727-021	1	HUIS,
2	1-35-727-032	1	DRAGER, TANDWIELEN,
3	1-35-727-026	1	SHAFTED PINION,
4	1-35-727-025	1	AFTAKAS,
5	1-35-727-042	1	KROONWIEL,
6	1-35-727-033	2	GEAR WHEEL,
7	1-35-727-022	1	BEARING COVER,
8	1-35-727-030	2	PIN, LARGE,
9	1-35-727-024	1	LAGER,
10	1-35-727-023	1	BEARING COVER,
11	1-35-727-041	1	SLUITRING,
12	1-35-727-027	1	SCHIJF,
13	1-35-727-037	1	HOEKSTUK,
14	1-35-727-031	4	SCHIJF,
15	1-35-727-036	1	SCHIJF,
16	1-35-727-028	1	COVER, PROTECTIVE,
17	1-35-727-029	1	LOOM,
18	1-35-727-038	2	LAGERBUS,
19	190003311327	1	LAGER,
20	190003311421	1	LAGER, KOGEL,
21	1-35-727-035	1	LAGER, NAALD,
22	1-35-727-034	4	LAGER, NAALD,
23	133700270073	1	AFTAKAS,
24	1-35-727-040	1	SLUITRING,
25	190003934225	1	SLUITRING, , 45x1,75
26	190003934112	2	SLUITRING, , 22x1
27	190003933200	1	RING, SNAP, , 30x1,5
28	190003930119	1	SLUITRING, , 85x4
29	190003813447	2	SCHROEF, , M8x35-8.8
30	43127	2	BOUT, Hex, M8 x 25, 8.8,
31	190003862015	5	SCHROEF, , M8x25-10.9
32	190003802438	10	SCHROEF, , M8x22-8.8
33	43362	2	MOER, M8, CI 10,
34	1-35-727-039	2	O-RING,
35	190003960079	1	SCHROEF, , M16x1,5
36	1-35-727-043	2	AFTAPPLUG,





## 06-40(01) FRONT P.T.O., COUPLING

Ref	Onderdeelnummer	Kwt	Beschrijving
	1-35-127-104	1	KOPPELING, , ---->04102; Einschließlich/Includes/Avec/Inklusive/Compreso 1 - 14
	1-35-127-178	1	KOPPELING, , 04103 ---->; Besteht aus/Consists of/Compose de/Bestående af/È composto da 1 - 16 (Wahlweise/Optional/En Option/Efter valg/A scelta 1 - 15, 17, 18)
1	1-35-727-503	2	LAGER, KOGEL, , 2RS
2	190003310002	2	LAGER,
3	1-35-727-505	1	SPRING, COIL,
4	1-35-727-504	1	FACING (CLUTCH),
5	1-35-727-506	7	VEER,
6	1-35-727-507	1	SPRING, BELLEVILLE,
7	1-35-727-508	1	KIT, GASKET,
8	1-35-727-509	1	PACKAGE, REPAIR,
9	1-35-727-501	1	ZUIGER,
10	1-35-727-502	1	HUIS,
11	190003800672	1	SCHROEF, , M12x100-8.8
12	190003862315	6	SCHROEF, , M6x16-10.9
13	86531615	6	SCHROEF, Hex Soc Hd, M6 x 20, 8.8, , M6x20-8.8
14	1-35-727-512	1	SCHIJF,
15	1-35-127-179	1	HOSE ASSY.,
16	1-35-127-180	1	FITTING, , Wahlweise/Optional/En Option/Efter valg/A scelta 17, 18
17	NSS	-	NIET ALLEEN VERKRIJGBAAR,
18	190003098010	2	DICHTINGSRING, , A10x13,5-CU

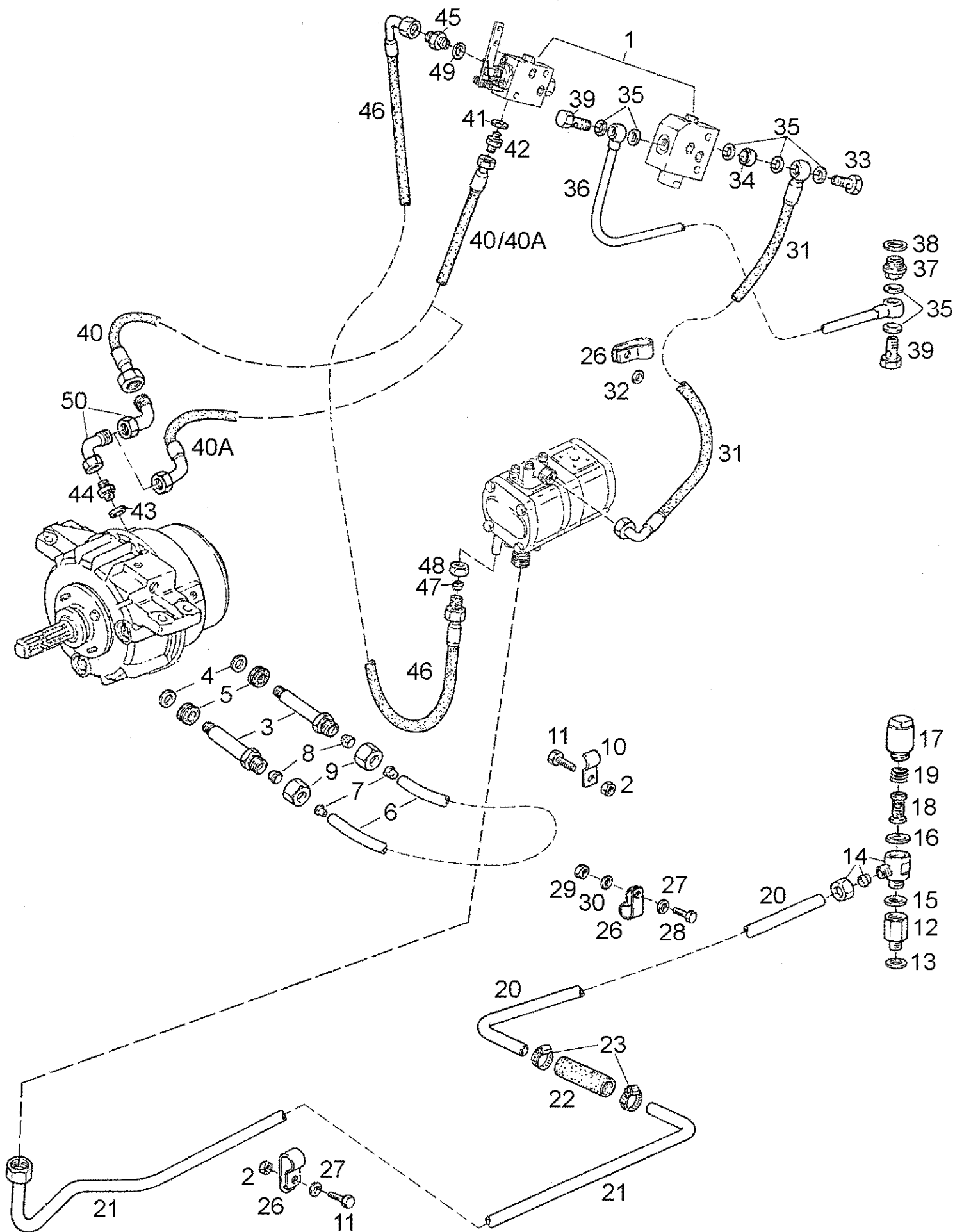


Ref	Onderdeelnummer	Kwt	Beschrijving
1	REF	-	INSTRUCTION, , Siehe nächste Seite(n)/See next page(s)/Voir page(s) suivante(s)/Se næste side (r )/Vedere pagin(a/e) seguent(e/i)
2	15896221	2	MOER, M6, CI 10, , M6-8-A2C, DIN934
3	1-35-127-135	2	VERLOOPSTUK,
4	190003098017	2	RING, PACKING, , A16x22-CU
5	190003128205	2	SLUITRING, , 20x1
6	1-35-127-117	1	LEIDING, , Einschließlich/Includes/Avec/Inklusive/Compreso 7
7	1-35-127-053	2	LAGER,KOPPELING DRUKPLAA,
8	190003559562	2	TONNETJE, , L15
9	190003559515	2	MOER, , AL15
10	161200070112	1	LEIDINGKLEM,
11	120100	2	BOUT, Hex, M6 x 20, 8.8,
12	1-35-127-112	1	RESTRICTOR,
13	190003098071	1	DICHTINGSRING, , A33x39-CU
14	1188730138	1	SCHROEF,
15	190003098031	1	DICHTINGSRING, , A26x31-CU
16	190003098040	1	DICHTINGSRING, , A32x38-CU
17	1292730033	1	FILTERELEMENT,
18	1292730086	1	FILTER,
19	1288730283	1	VEER,
20	1-35-127-115	1	AANZUIGLEIDING,
21	1-35-127-116	1	AANZUIGLEIDING,
22	190003169340	1	FLEXIBELE BUIS, , Ø22x29mm; L = 90mm
23	162000530151	2	SLANGKLEM, , 20/32
24	1-35-127-120	1	SATELIETDRAGER,
25	190003802709	1	SCHROEF, , M14x20-8.8
26	1609E110049	3	KLEM,
27	199012230039	2	SPACER, RING,
28	190003802336	1	SCHROEF, , M6x25-8.8
29	15896221	1	MOER, M6, CI 10, , M6-8-A2C, DIN934
30	190003936101	2	SLUITRING, , 6,4-140HV-A3C
31	1-35-127-119	1	FLEXIBELE BUIS,
32	190003930261	1	SLUITRING, , A8,4
33	190003962633	1	VIJZELSCHROEF, , 15-S
34	133700470139	1	O-RING,
35	190003098020	7	DICHTINGSRING, , A18x22-CU
36	1-35-127-113	1	PIPE, RETURN,
37	135700270080	1	SCHROEF,
38	190003098086	1	DICHTINGSRING, , A30x36-CU
39	190003962632	2	VIJZELSCHROEF, , 15-3
40	1-35-127-118	1	FLEXIBELE BUIS,

M968 STEYR TRACTOR / --->04939 (6/97-3/99) - Aandrijflijn

06-41(01) FRONT P.T.O., HYDRAULIC CIRCUIT / ---->03448 (WITHOUT 03444, 03445)

Ref	Onderdeelnummer	Kwt	Beschrijving
41	190003098014	1	DICHTINGSRING, , A14x18-CU-DIN7603
42	190003559488	1	VERBINDING, , L10A
43	190003098012	1	DICHTINGSRING, , A12x15,5
44	1780360429	1	FITTING,
45	1-35-127-126	1	VERLOOPSTUK,
46	1-35-127-144	1	FLEXIBELE BUIS,
47	190003559558	1	TONNETJE, , L8
48	190003559509	1	NUT, TUBE, , AL8
49	190003098010	1	DICHTINGSRING, , A10x13,5-CU
50	190003551459	1	FITTING, , L10

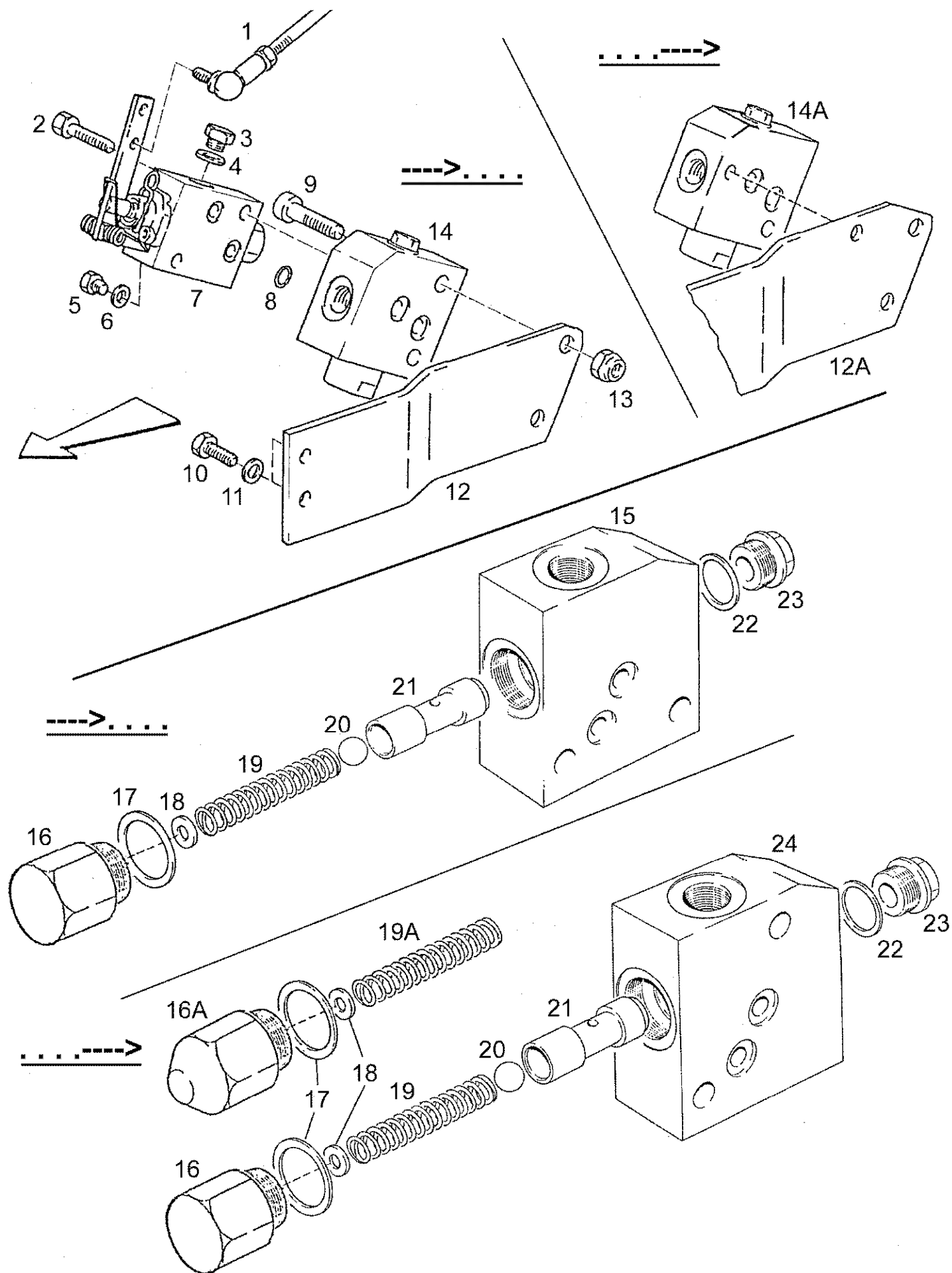


Ref	Onderdeelnummer	Kwt	Beschrijving
1	REF	1	INSTRUCTION, , Siehe nächste Seite(n)/See next page(s)/Voir page(s) suivante(s)/Se næste side (r )/Vedere pagin(a/e) seguent(e/i)
2	15896221	2	MOER, M6, CI 10, , M6-8-A2C, DIN934
3	1-35-127-135	2	VERLOOPSTUK,
4	190003098017	2	RING, PACKING, , A16x22-CU
5	190003128205	2	SLUITRING, , 20x1
6	1-35-127-117	1	LEIDING, , Einschließlich/Includes/Avec/Inklusive/Compreso 7
7	1-35-127-053	2	LAGER,KOPPELING DRUKPLAA,
8	190003559562	2	TONNETJE, , L15
9	190003559515	2	MOER, , AL15
10	161200070112	1	LEIDINGKLEM,
11	120100	2	BOUT, Hex, M6 x 20, 8.8,
12	1-35-127-112	1	RESTRICTOR,
13	190003098071	1	DICHTINGSRING, , A33x39-CU
14	1188730138	1	SCHROEF,
15	190003098031	1	DICHTINGSRING, , A26x31-CU
16	190003098040	1	DICHTINGSRING, , A32x38-CU
17	1292730033	1	FILTERELEMENT,
18	1292730086	1	FILTER,
19	1288730283	1	VEER,
20	1-35-127-115	1	AANZUIGLEIDING,
21	1-35-127-116	1	AANZUIGLEIDING,
22	190003169340	1	FLEXIBELE BUIS, , Ø22x29mm; L = 90mm
23	162000530151	2	SLANGKLEM, , 20/32
26	1609E110049	3	KLEM,
27	199012230039	2	SPACER, RING,
28	190003802336	1	SCHROEF, , M6x25-8.8
29	15896221	1	MOER, M6, CI 10, , M6-8-A2C, DIN934
30	190003936101	2	SLUITRING, , 6,4-140HV-A3C
31	1-35-127-119	1	FLEXIBELE BUIS,
32	190003930261	1	SLUITRING, , A8,4
33	190003962633	1	VIJZELSCHROEF, , 15-S
34	133700470139	1	O-RING,
35	190003098020	7	DICHTINGSRING, , A18x22-CU
36	1-35-127-113	1	PIPE, RETURN,
37	135700270080	1	SCHROEF,
38	190003098086	1	DICHTINGSRING, , A30x36-CU
39	190003962632	2	VIJZELSCHROEF, , 15-3
40	1-35-127-143	1	FLEXIBELE BUIS, , ---->03737
40A	1-35-127-146	1	HOSE ASSY., , 03738 ---->
41	190003098014	1	DICHTINGSRING, , A14x18-CU-DIN7603

M968 STEYR TRACTOR / --->04939 (6/97-3/99) - Aandrijflijn

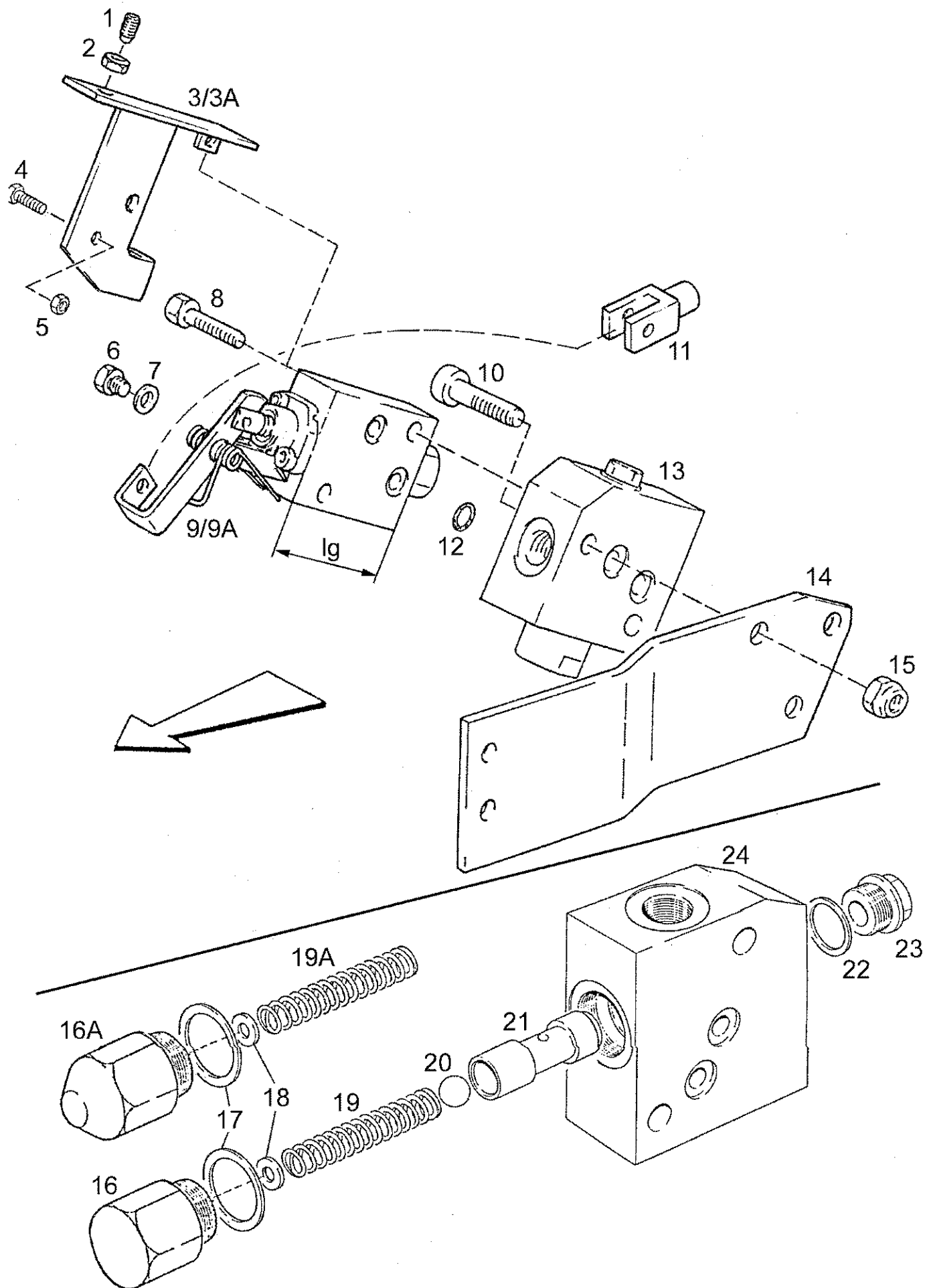
06-42(01) FRONT P.T.O., HYDRAULIC CIRCUIT / 03449 ----> (+03444, 03445)

Ref	Onderdeelnummer	Kwt	Beschrijving
42	1-35-127-207	1	SCHROEF,
43	190003098012	1	DICHTINGSRING, , A12x15,5
44	190003559487	1	FITTING, , L8A-M
45	1-35-127-126	1	VERLOOPSTUK,
46	1-35-127-144	1	FLEXIBELE BUIS,
47	190003559558	1	TONNETJE, , L8
48	190003559509	1	NUT, TUBE, , AL8
49	190003098010	1	DICHTINGSRING, , A10x13,5-CU
50	190003551555	2/1	VERLOOPSTUK, , L8

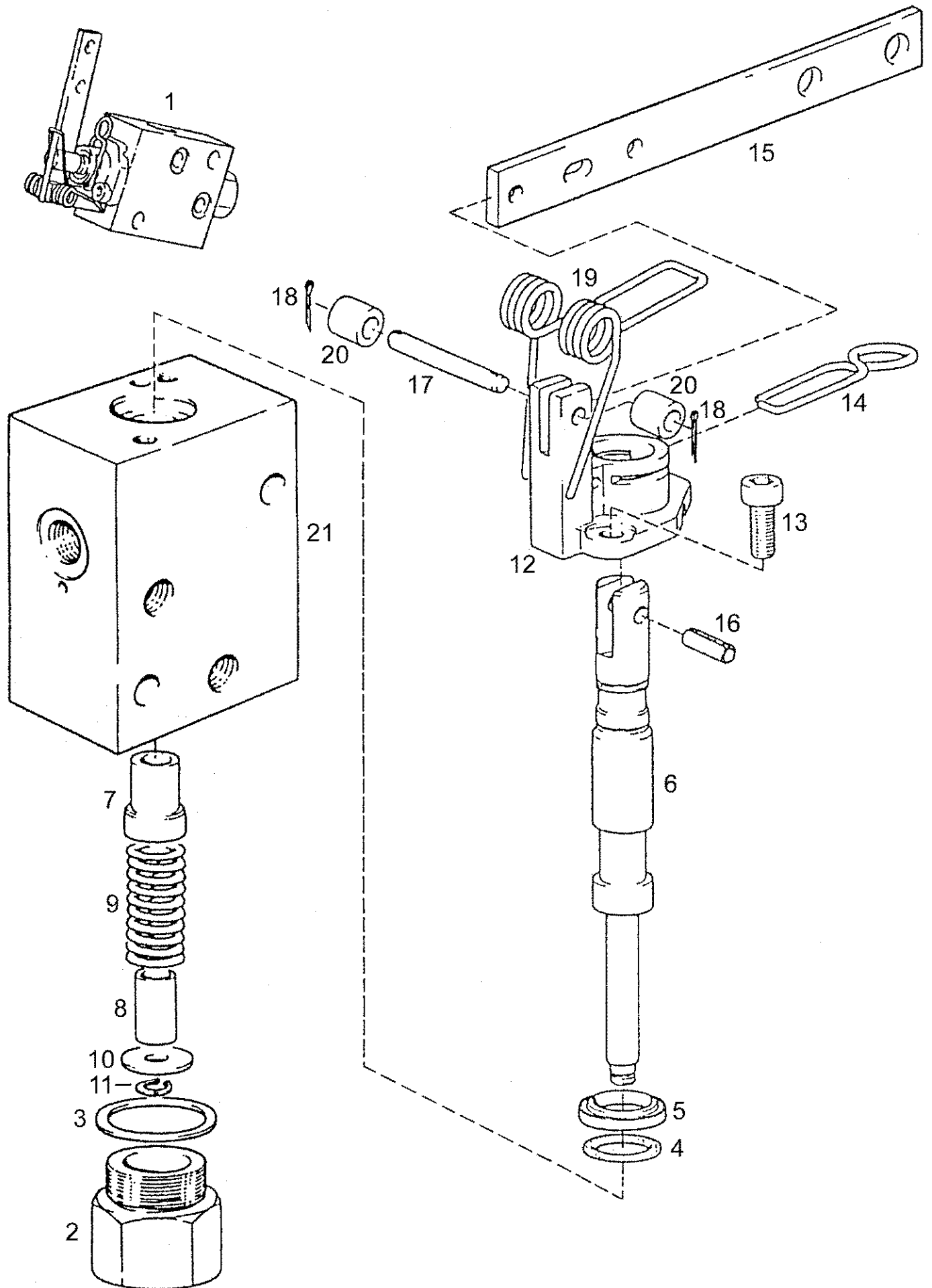




Ref	Onderdeelnummer	Kwt	Beschrijving
1	REF	-	INSTRUCTION, , Siehe Frontzapfwellenbetätigung/See P.T.O. control/Voir prise de force avant, commande/Se frontmonteret kraftudtag,betjening/Vedere albero di presa di forza anteriore,comando
2	190003802451	2	SCHROEF, Hex, M8 x 50, 8.8, , M8x50-8.8
3	190003962019	1	SCHROEF, , A-M12x1,5
4	190003098012	1	DICHTINGSRING, , A12x15,5
5	190003962014	1	PLUG, Hex Wash Hd, M10 x 1, , A-M10x1
6	190003098010	1	DICHTINGSRING, , A10x13,5-CU
7	1-35-127-025	1	KONTROLEKLEP, , Siehe nächste Seite(n)/See next page(s)/Voir page(s) suivante(s)/Se næste side (r )/Vedere pagin(a/e) sequent(e/i)
8	1397750109	4	O-RING, , 11,2x2,4
9	190003862542	2	SCHROEF, , M10x45-8.8
10	43127	2	BOUT, Hex, M8 x 25, 8.8,
11	190003930261	2	SLUITRING, , A8,4
12	153700270034	1	GUIDE, LEVERS, , ---->01606
12A	1-35-127-121	1	GUIDE, LEVERS, , 01607---->
13	190003888452	2	MOER, , VM10-8
14	1-35-127-123	1	PLAAT, GROOT, , ---->01606; Besteht aus/Consists of/Compose de/Bestående af/È composto da 15 - 23
14A	1397750155	1	PLAAT, GROOT, , 01607---->; Besteht aus/Consists of/Compose de/Bestående af/È composto da 16 - 24
15	NSS	-	NIET ALLEEN VERKRIJGBAAR,
16	1397750159	1	SCHOEP, , Nur mit/Only with/Selement avec/Kun med/Solo con 19
16A	155700753008	1	SCHROEF, , Nur mit/Only with/Selement avec/Kun med/Solo con 19A
17	190003098031	1	DICHTINGSRING, , A26x31-CU
18	190003935004	1	SCHIJF, , 6
19	1397750158	1	SPRING, COMPRESSION, , Nur mit/Only with/Selement avec/Kun med/Solo con 16
19A	155700753009	1	SPRING, COMPRESSION, , Nur mit/Only with/Selement avec/Kun med/Solo con 16A
20	190003330543	1	KOGEL, , Ø11mm
21	1397750161	1	ZUIGER,
22	190003098020	1	DICHTINGSRING, , A18x22-CU
23	190003962030	1	PLUG, Hex Wash Hd, M18 x 1.5, , A-M18x1,5
24	NSS	-	NIET ALLEEN VERKRIJGBAAR,



Ref	Onderdeelnummer	Kwt	Beschrijving
1	1-34-644-161	1	PROP,
2	190003871522	1	MOER, , M12
3	1-35-127-140	1	HOUDER, , ---->. . . . ; Nur mit/Only with/Selement avec/Kun med/Solo con 9
3A	1-35-127-131	1	STEUNBEUGEL, , . . . ----> ; Nur mit/Only with/Selement avec/Kun med/Solo con 9A
4	190003800255	1	SCHROEF, , M5x55-8.8
5	825-1405	1	MOER, M5, CI 8,
6	190003962014	1	PLUG, Hex Wash Hd, M10 x 1, , A-M10x1
7	190003098010	1	DICHTINGSRING, , A10x13,5-CU
8	190003802455	2	SCHROEF, , M8x55-8.8
9	1-35-127-066	1	KONTROLEKLEP, , lg = 83,5mm / ---->. . . . ; Siehe nächste Seite(n)/See next page(s)/Voir page(s) suivante(s)/Se næste side (r )/Vedere pagin(a/e) seguent(e/i)
9A	1-35-127-062	1	KONTROLEKLEP, , lg = 70mm / . . . ----> ; Siehe nächste Seite(n)/See next page(s)/Voir page(s) suivante(s)/Se næste side (r )/Vedere pagin(a/e) seguent(e/i)
10	190003862542	2	SCHROEF, , M10x45-8.8
11	REF	-	INSTRUCTION, , Siehe Frontzapfwellenbetätigung/See P.T.O. control/Voir prise de force avant, commande/Se frontmonteret kraftudtag,betjening/Vedere albero di presa di forza anteriore,comando
12	1397750109	4	O-RING, , 11,2x2,4mm
13	1397750155	1	PLAAT, GROOT, , Besteht aus/Consists of/Compose de/Bestående af/È composto da 16 - 24
14	1-35-127-121	1	GUIDE, LEVERS,
15	190003888452	2	MOER, , VM10-8
16	1397750159	1	SCHROEF, , Nur mit/Only with/Selement avec/Kun med/Solo con 19
16A	155700753008	1	SCHROEF, , Nur mit/Only with/Selement avec/Kun med/Solo con 19A
17	190003098031	1	DICHTINGSRING, , A26x31-CU
18	190003935004	1	SCHIJF, , 6
19	1397750158	1	SPRING, COMPRESSION, , Nur mit/Only with/Selement avec/Kun med/Solo con 16
19A	155700753009	1	SPRING, COMPRESSION, , Nur mit/Only with/Selement avec/Kun med/Solo con 16A
20	190003330543	1	KOGEL, , Ø11mm
21	1397750161	1	ZUIGER,
22	190003098020	1	DICHTINGSRING, , A18x22-CU
23	190003962030	1	PLUG, Hex Wash Hd, M18 x 1.5, , A-M18x1,5
24	1397750156	1	DRUKPLAAT,



M968 STEYR TRACTOR / --->04939 (6/97-3/99) - Aandrijflijn

06-45(01) FRONT P.T.O. - CONTROL VALVE, DISASSEMBLED / ---->03448 (WITHOUT 03444, 03445)

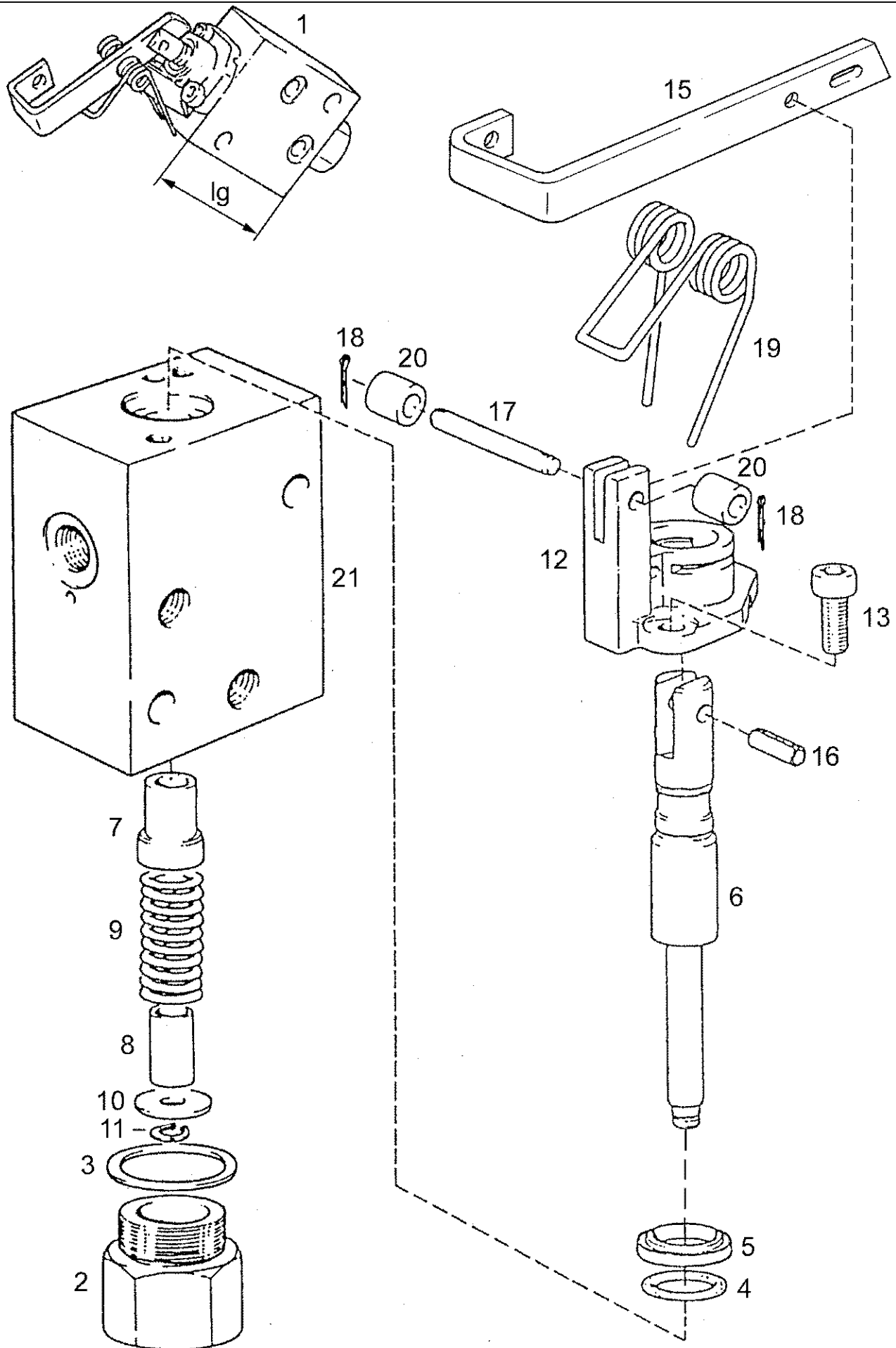
Ref	Onderdeelnummer	Kwt	Beschrijving
1	1-35-127-025	1	KONTROLEKLEP, , Besteht aus/Consists of/Compose de/Bestående af/È composto da 2 - 21
2	1397750177	1	SCHROEF,
3	190003098031	1	DICHTINGSRING, , A26x31-CU
4	1397750110	1	O-RING, , 16,3x2,4
5	1397750084	1	RING, SCRAPER,
6	1397750174	1	BEDIENING,
7	1397750020	1	LAGER,KOPPELING DRUKPLAA,
8	1397750021	1	AFSTANDSRING,
9	1397750165	1	SPRING, COMPRESSION,
10	1397750176	1	SCHIJF,
11	190003933010	1	SLUITRING, , 6x0,7
12	NSS	-	NIET ALLEEN VERKRIJGBAAR,
13	190003862316	2	SCHROEF, , M6x16-8.8
14	133000753020	1	VEER,
15	137700750005	1	HEFBOOM,
16	190003909663	1	SPANSTIFT, , 5x14
17	190003900023	1	PIN, LARGE, , 5h11x40x36
18	190003920006	2	SPLITPEN, , 1x10
19	1397750189	1	VEER,
20	1397750188	2	LAGER,KOPPELING DRUKPLAA,
21	NSS	-	NIET ALLEEN VERKRIJGBAAR,



M968 STEYR TRACTOR / --->04939 (6/97-3/99) - Aandrijflijn

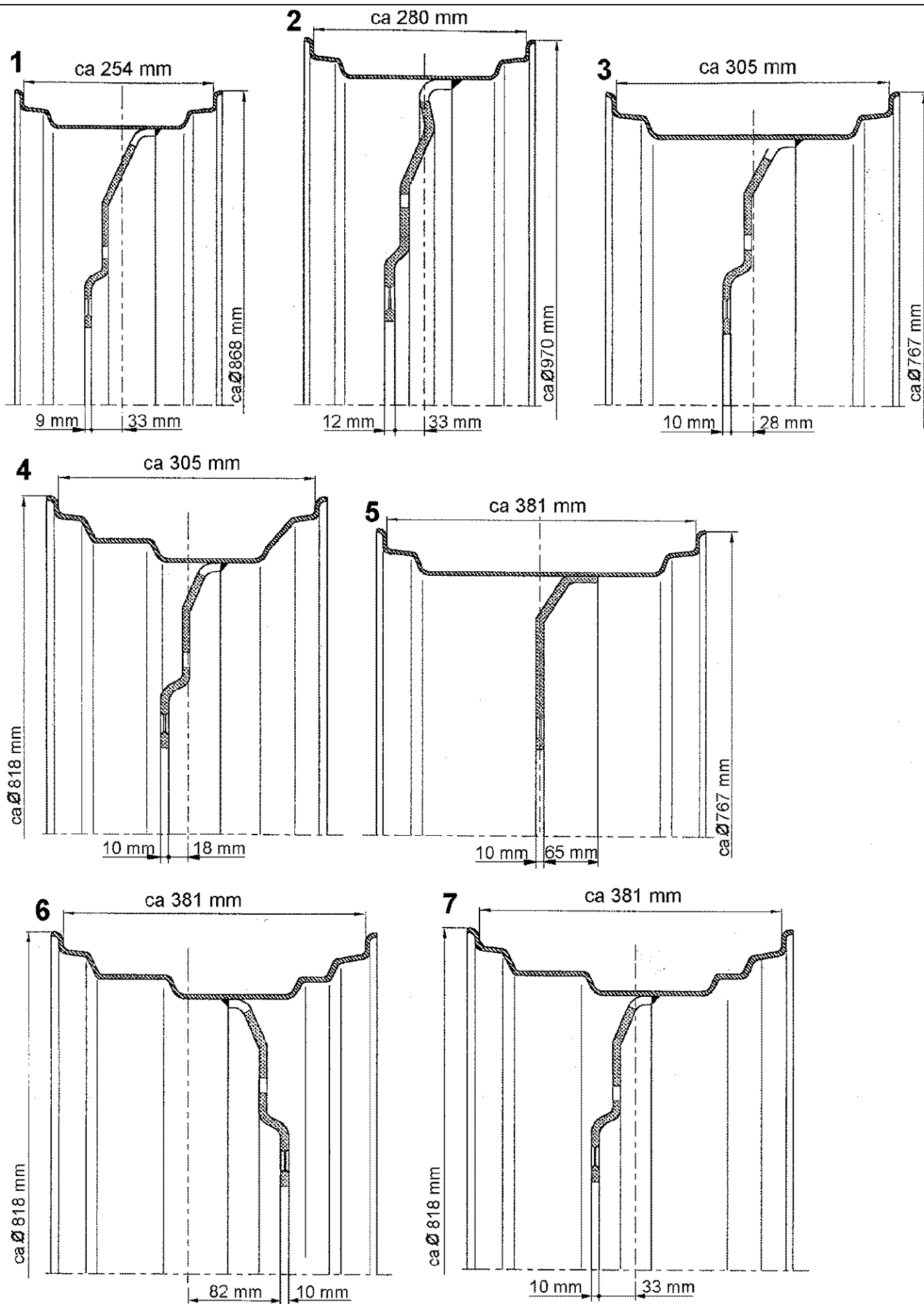
06-46(01) FRONT P.T.O. - CONTROL VALVE, DISASSEMBLED / 03449 ----> (+03444, 03445)

Ref	Onderdeelnummer	Kwt	Beschrijving
1	1-35-127-066	1	KONTROLEKLEP, , ---->. . . .; Besteht aus/Consists of/Compose de/Bestående af/È composto da 2 - 21
2	1397750177	1	SCHROEF,
3	190003098031	1	DICHTINGSRING, , A26x31-CU
4	1397750110	1	O-RING, , 16,3x2,4
5	1397750084	1	RING, SCRAPER,
6	1397750174	1	BEDIENING,
7	1397750020	1	LAGER,KOPPELING DRUKPLAA,
8	1397750021	1	AFSTANDSRING,
9	1397750165	1	SPRING, COMPRESSION,
10	1397750176	1	SCHIJF,
11	190003933010	1	SLUITRING, , 6x0,7
12	NSS	-	NIET ALLEEN VERKRIJGBAAR,
13	190003862316	2	SCHROEF, , M6x16-8.8
15	1-35-127-064	1	HEFBOOM,
16	190003909663	1	SPANSTIFT, , 5x14
17	190003900023	1	PIN, LARGE, , 5h11x40x36
18	190003920006	2	SPLITPEN, , 1x10
19	1397750189	1	VEER,
20	1397750188	2	LAGER,KOPPELING DRUKPLAA,
21	NSS	-	NIET ALLEEN VERKRIJGBAAR,





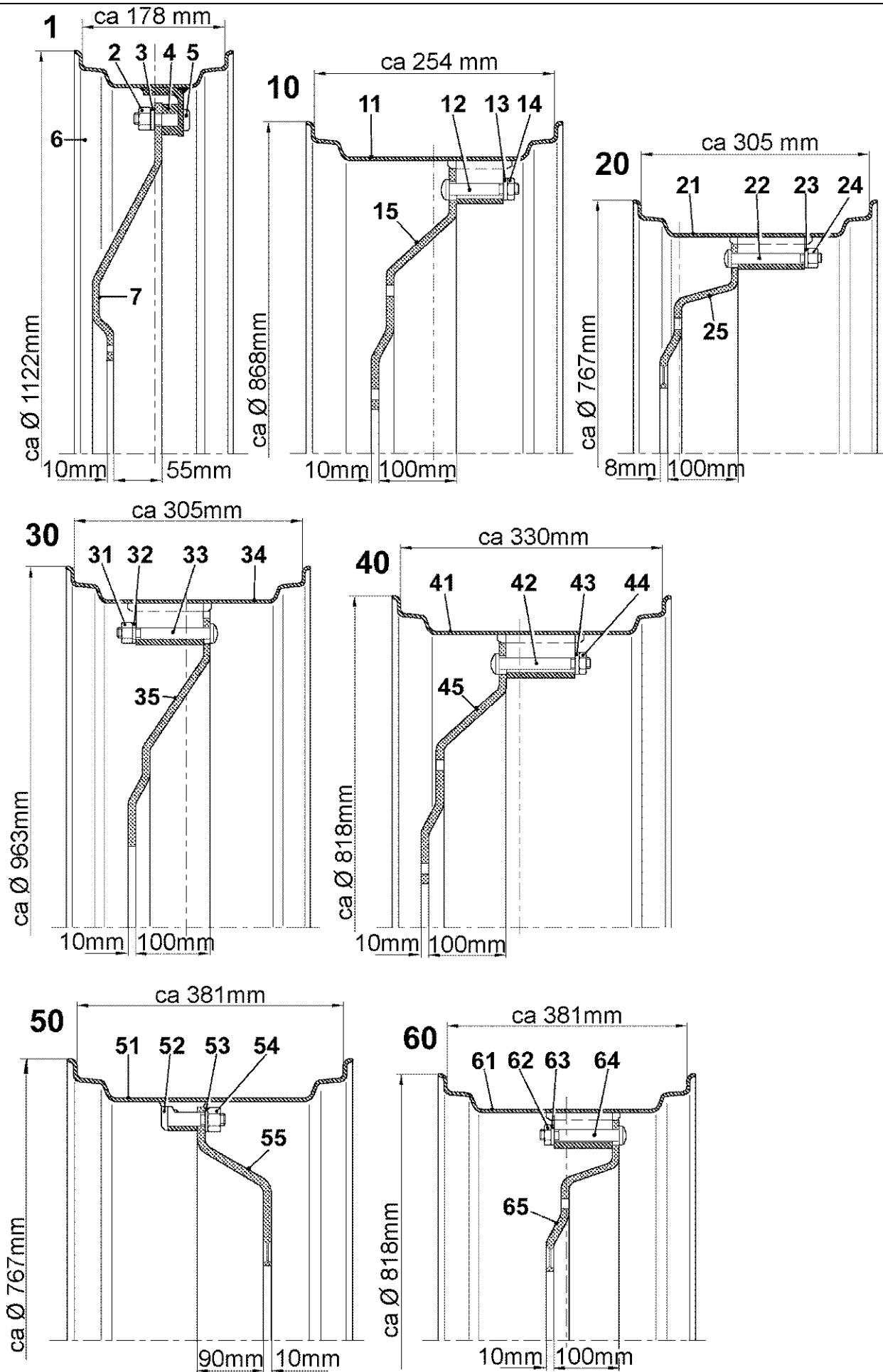
Ref	Onderdeelnummer	Kwt	Beschrijving
1	1-35-127-062	1	KONTROLEKLEP, , 70mm lg / . . . .---->; Besteht aus/Consists of/Compose de/Bestående af/È composto da 2 - 21
2	1397750177	1	SCHROEF,
3	190003098031	1	DICHTINGSRING, , A26x31-CU
4	1397750110	1	O-RING, , 16,3x2,4
5	1397750084	1	RING, SCRAPER,
6	1397750116	1	BEDIENING,
7	1397750020	1	LAGER,KOPPELING DRUKPLAA,
8	1397750021	1	AFSTANDSRING,
9	1780K740055	1	DRUKVEER,
10	190003935007	1	SCHIJF, , 8mm
11	190003933039	1	BORGPLAAT, , 8x0,8
12	NSS	-	NIET ALLEEN VERKRIJGBAAR,
13	190003862316	2	SCHROEF, , M6x16-8.8
15	1-35-127-064	1	HEFBOOM,
16	190003909663	1	SPANSTIFT, , 5x14
17	190003900023	1	PIN, LARGE, , 5h11x40x36
18	190003920006	2	SPLITPEN, , 1x10
19	1397750189	1	VEER,
20	1397750188	2	LAGER,KOPPELING DRUKPLAA,
21	NSS	-	NIET ALLEEN VERKRIJGBAAR,



## 06-48(01) REAR WHEELS, NOT ADJUSTABLE

Ref	Onderdeelnummer	Kwt	Beschrijving
1	1292610013	2	WIELVEL, , W10x32
2	133700610291	2	WIELVEL, , W11x36
3	133700612009	2	WIELVEL, , W12x28
4	133700610113	2	WIELVEL, , DW12x30
5	1-33-161-183	2	WIELVEL, , W15Lx28
6	1-33-161-084	2	WIELVEL, , DW15Lx30
7	135700610186	2	WIELVEL, , DW15Lx30

06-49(01) REAR WHEELS, ADJUSTABLE



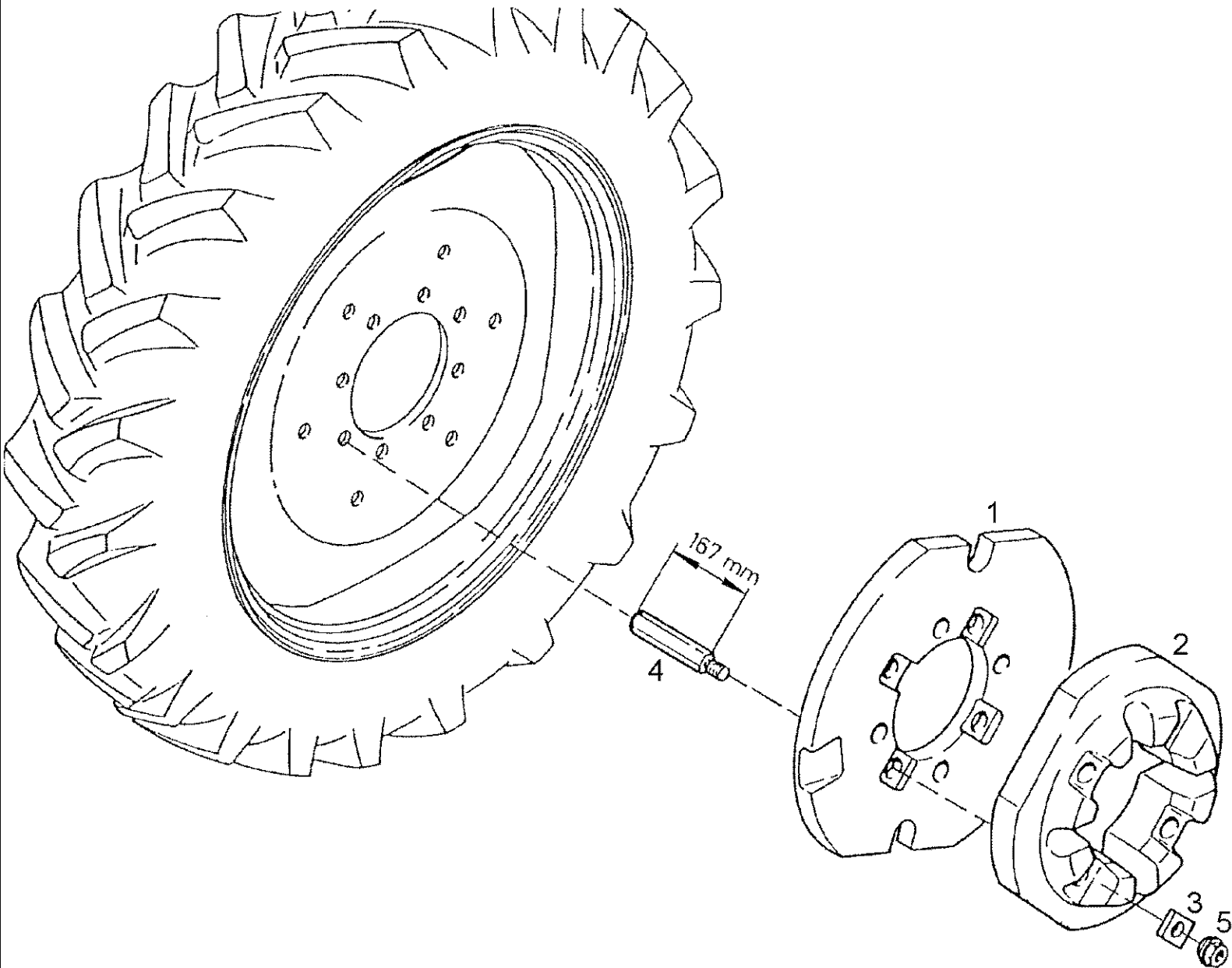
## 06-49(01) REAR WHEELS, ADJUSTABLE

Ref	Onderdeelnummer	Kwt	Beschrijving
1	133700610284	2	WIEL, , W7x42; Besteht aus/Consists of/Compose de/Bestående af/È composto da 2 - 7
2	1-33-761-003	16	MOER, , M16x1,5
3	1-33-761-002	16	SCHIJF,
4	NSS	-	NIET ALLEEN VERKRIJGBAAR,
5	NSS	-	NIET ALLEEN VERKRIJGBAAR,
6	NSS	-	NIET ALLEEN VERKRIJGBAAR,
7	NSS	-	NIET ALLEEN VERKRIJGBAAR,
10	133700610066	2	WIELVEL, , W10x32; Besteht aus/Consists of/Compose de/Bestående af/È composto da 11 - 15
11	NSS	-	NIET ALLEEN VERKRIJGBAAR,
12	NSS	-	NIET ALLEEN VERKRIJGBAAR,
13	1-33-761-002	16	SCHIJF,
14	NSS	-	NIET ALLEEN VERKRIJGBAAR,
15	NSS	-	NIET ALLEEN VERKRIJGBAAR,
20	133700612004	2	WIELVEL, , W12x28; Besteht aus/Consists of/Compose de/Bestående af/È composto da 21 - 25
21	NSS	-	NIET ALLEEN VERKRIJGBAAR,
22	NSS	-	NIET ALLEEN VERKRIJGBAAR,
23	NSS	-	NIET ALLEEN VERKRIJGBAAR,
24	1-33-761-003	16	MOER, , M16x1,5
25	NSS	-	NIET ALLEEN VERKRIJGBAAR,
30	133700610071	2	WIELVEL, , W12x36; Besteht aus/Consists of/Compose de/Bestående af/È composto da 31 - 35
31	133700610712	16	MOER, , M16x1,5
32	354479A1	16	SLUITRING,
33	354480A1	16	SCHROEF, , M16x1,5x125
34	NSS	-	NIET ALLEEN VERKRIJGBAAR,
35	NSS	-	NIET ALLEEN VERKRIJGBAAR,
40	133700610080	2	WIELVEL, , W13x30; Besteht aus/Consists of/Compose de/Bestående af/È composto da 41 - 45
41	NSS	-	NIET ALLEEN VERKRIJGBAAR,
42	NSS	-	NIET ALLEEN VERKRIJGBAAR,
43	1-33-761-002	16	SCHIJF,
44	1-33-761-003	16	MOER, , M16x1,5
45	NSS	-	NIET ALLEEN VERKRIJGBAAR,
50	1-33-161-269	2	WIELVEL, , W15Lx28; Besteht aus/Consists of/Compose de/Bestående af/È composto da 51 - 55
51	NSS	-	NIET ALLEEN VERKRIJGBAAR,
52	299594A1	12	BOUT,
53	133700610710	12	SCHIJF,
54	133700610709	12	MOER, , M18x1,5
55	NSS	-	NIET ALLEEN VERKRIJGBAAR,
60	133700610073	2	WIELVEL, , W15Lx30; Besteht aus/Consists of/Compose de/Bestående af/È composto da 61 - 65
61	NSS	-	NIET ALLEEN VERKRIJGBAAR,
62	133700610712	16	MOER, , M16x1,5
63	354479A1	16	SLUITRING,

06-49(01) REAR WHEELS, ADJUSTABLE

Ref	Onderdeelnummer	Kwt	Beschrijving
64	NSS	-	NIET ALLEEN VERKRIJGBAAR,
65	NSS	-	NIET ALLEEN VERKRIJGBAAR,

06-50(01) REAR WHEEL WEIGHTS

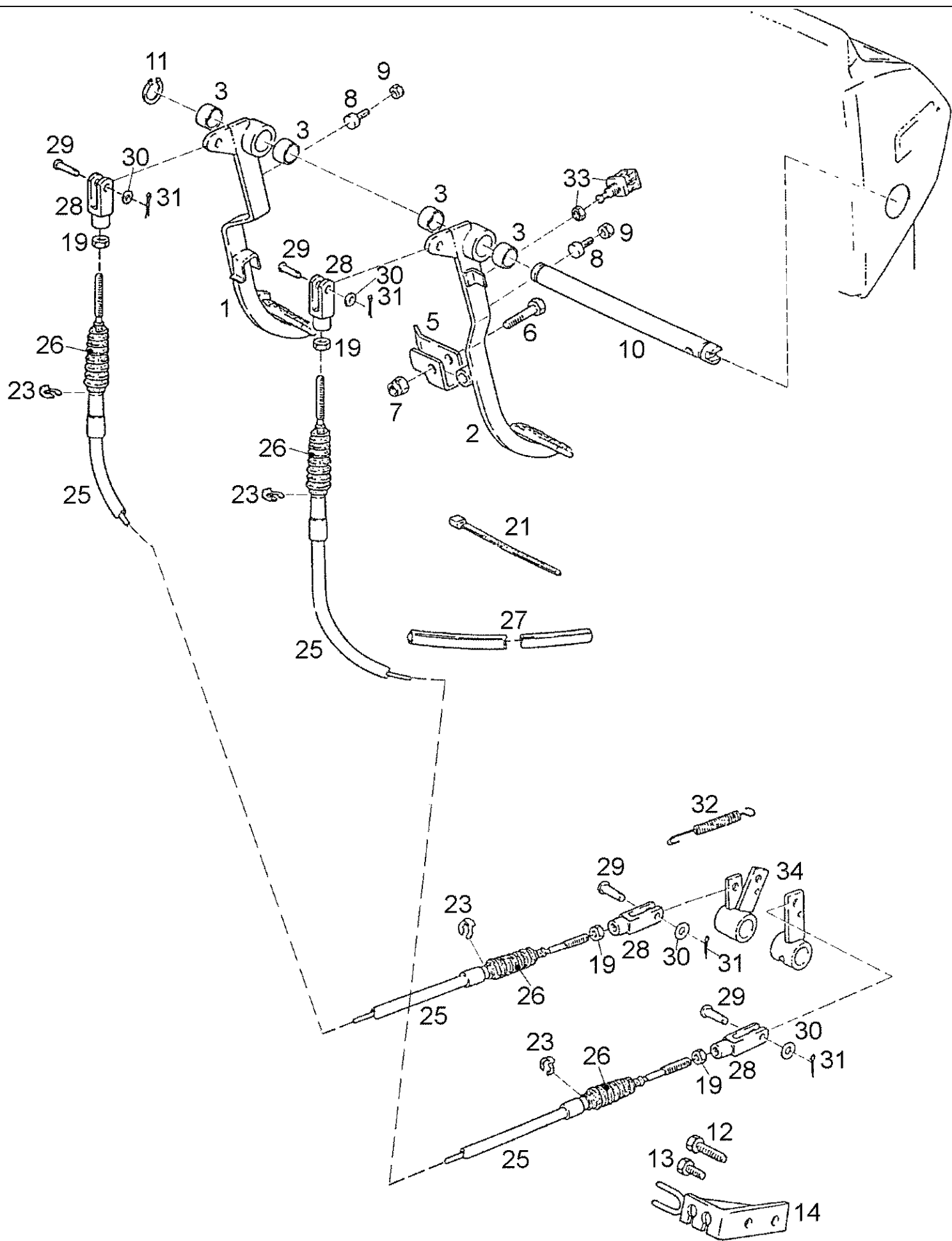


## 06-50(01) REAR WHEEL WEIGHTS

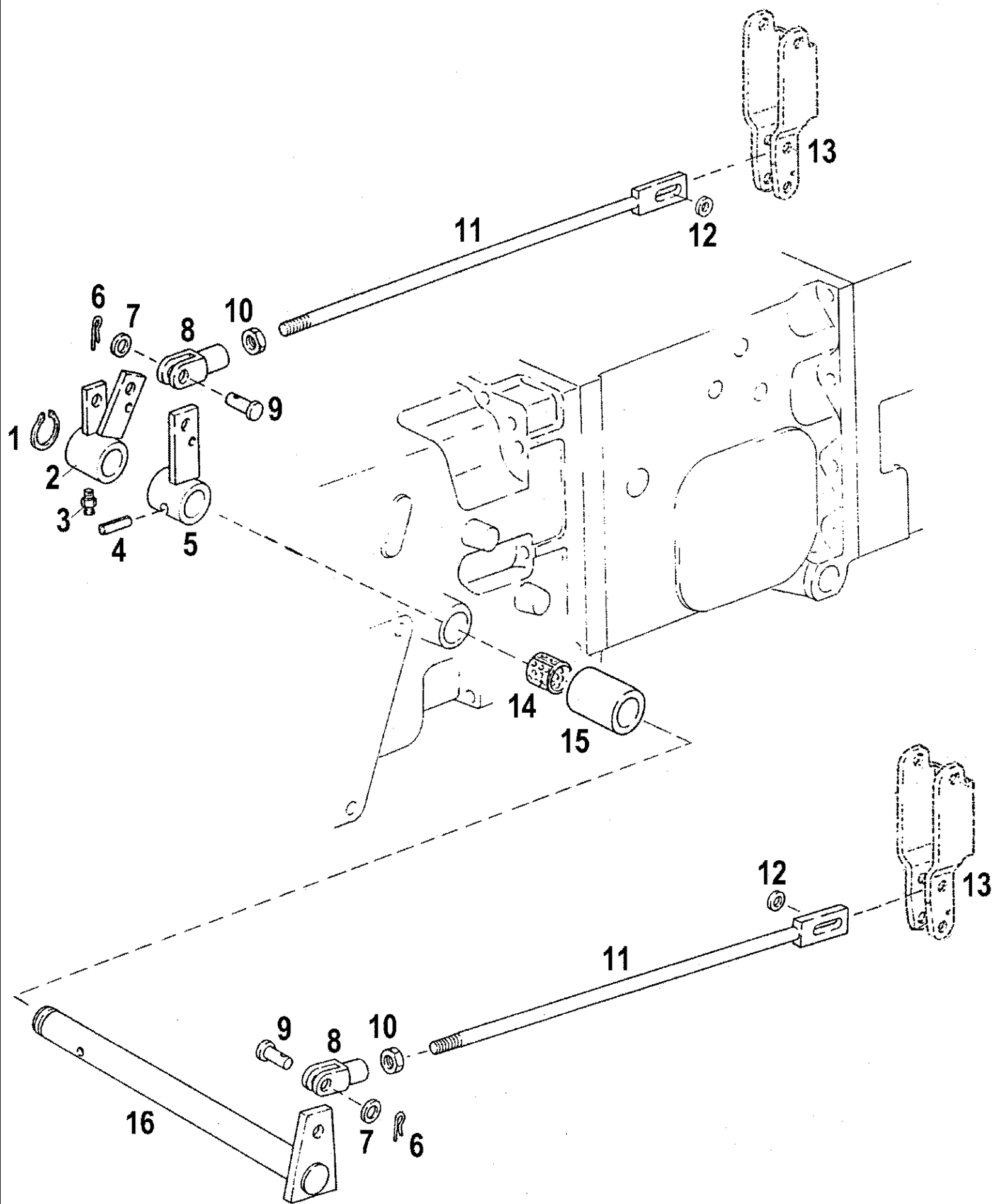
Ref	Onderdeelnummer	Kwt	Beschrijving
1	1192610005	4	BALLAST,
2	133700610242	2	WIELGEWICHTEN,
3	1390610044	8	PLAAT,
4	133700610243	8	PEN,
5	190003880013	16	MOER, , A20-8



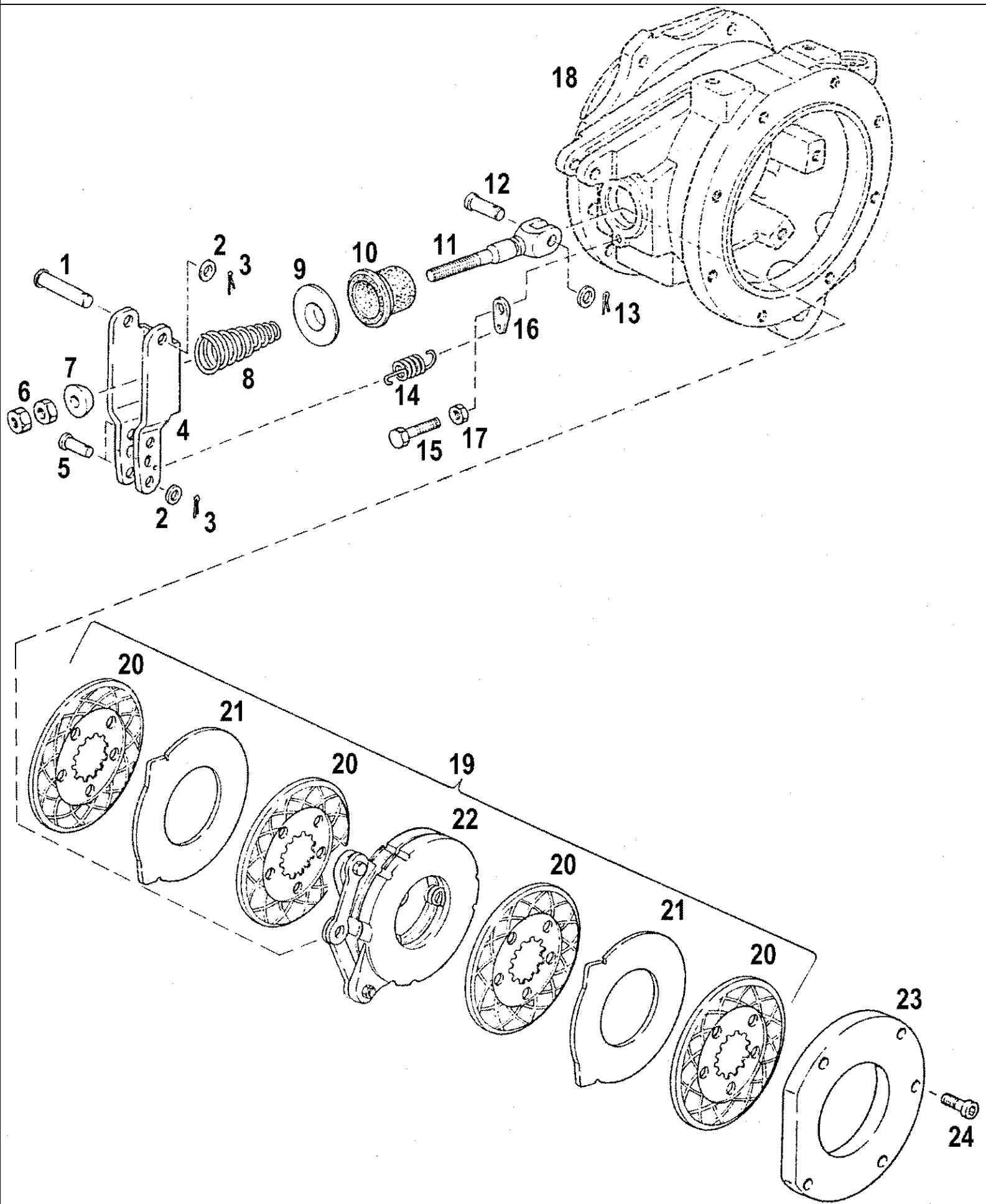




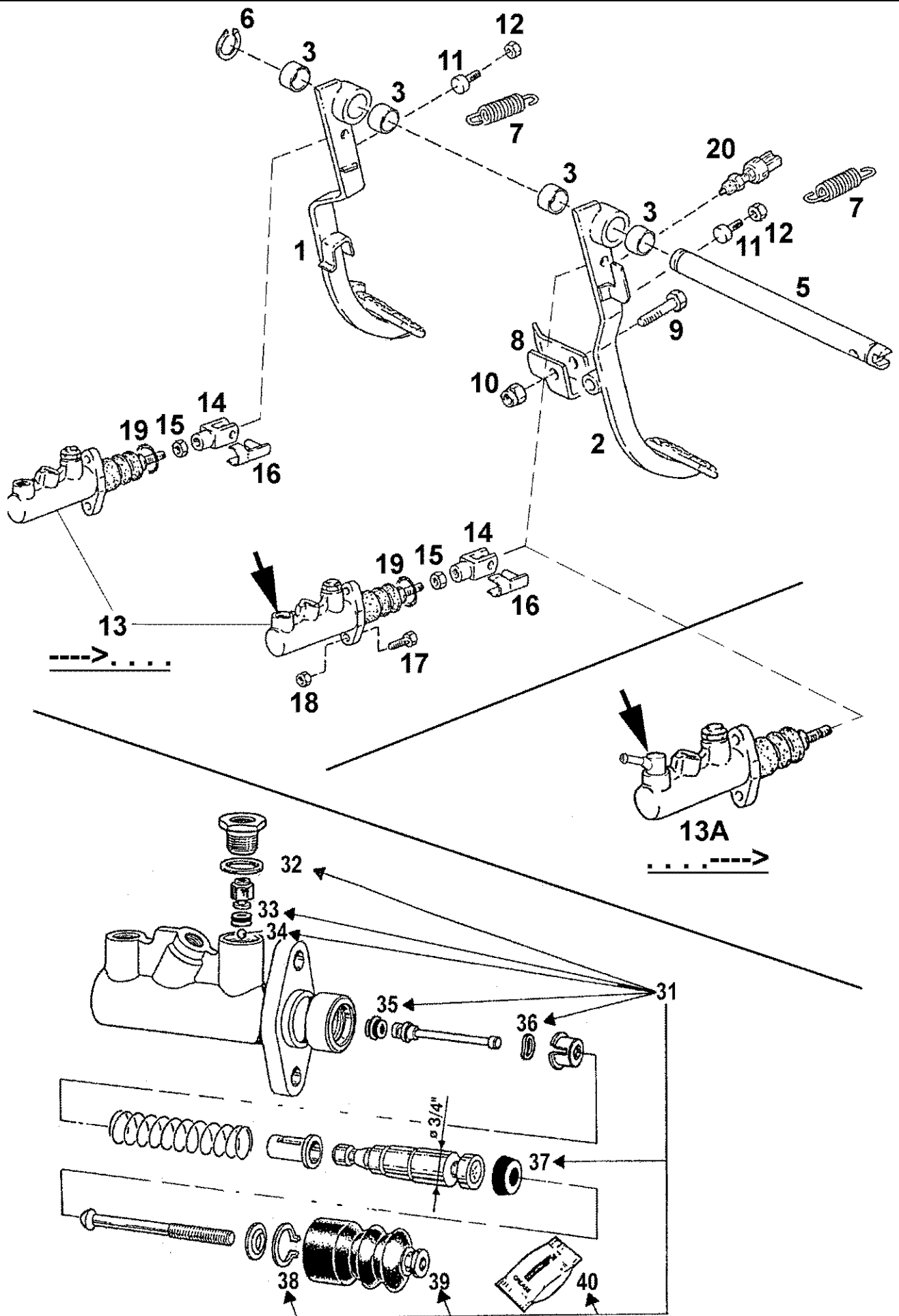
Ref	Onderdeelnummer	Kwt	Beschrijving
1	1-34-543-505	1	PEDAAL, , Einschließlich/Includes/Avec/Inklusive/Compreso 3
2	1-34-543-506	1	PEDAAL, , Einschließlich/Includes/Avec/Inklusive/Compreso 3
3	1-34-543-526	4	LAGERBUS,
5	1-34-543-532	1	LATCH, PEDALS,
6	190003800637	1	SCHROEF, , M12x55-8.8
7	832-41312	1	NUT, LOCK, M12 x 1.75, CI 10,
8	1-34-643-012	2	AFSCHERMING,
9	15896221	2	MOER, M6, CI 10, , M6-8-A2C, DIN934
10	REF	-	INSTRUCTION, , Siehe Kapitel 06/See Chapter 06/Voir Chapitre 06/Se kapitel 06/Vedere capitolo 06
11	REF	-	INSTRUCTION, , Siehe Kapitel 06/See Chapter 06/Voir Chapitre 06/Se kapitel 06/Vedere capitolo 06
12	190003800536	1	SCHROEF, , M10x45-8.8
13	11106231	1	BOUT, Hex, M10 x 25, 10.9, Full Thd, , M10x25-8.8
14	1-33-135-210	1	PLUG,
19	100016	4	MOER, M10, CI 8,
21	190003171697	6	BEVESTIGINGSKLEM, , A5x180 / K02
23	1-34-644-810	4	BORGVEER, , ID=10mm
25	1-33-135-302	2	BRAKE,
26	1-33-135-303	4	BOOT,
27	1-33-135-304	2	FLEXIBELE BUIS,
28	190003964444	4	VORK, , G10x40
29	190003903645	4	PIN, LARGE, , 10h11x28x24
30	190003930271	4	SCHIJF, , A10,5-140HV-A3C
31	190003920231	4	SPLITPEN, , 3,2x22
32	1680570027	2	VEER,
33	REF	-	INSTRUCTION, , Siehe Kapitel 04/See Chapter 04/Voir Chapitre 04/Se kapitel 04/Vedere capitolo 04
34	REF	-	INSTRUCTION, , Siehe nächste Seite(n)/See next page(s)/Voir page(s) suivante(s)/Se næste side (r )/Vedere pagin(a/e) sequent(e/i)



Ref	Onderdeelnummer	Kwt	Beschrijving
1	190003933141	1	SLUITRING, , 28x1,5
2	153700350010	1	NABE KPLT.
3	190003963112	1	SMEERNIPPEL, , AM8x1
4	190003904276	1	PEN, , 8x50-10.9
5	153700350009	1	NABE KPLT.
6	190003920321	2	SPLITPEN, , 4x20
7	190003930282	2	SCHIJF, , A13
8	190003964448	2	VORK, , G12x24
9	190003903221	2	PIN, LARGE, , 12h11x35x29
10	337475	2	MOER, M12, CI 10,
11	153700350014	2	STANG,
12	190003936012	4	SCHIJF, , 13
13	REF	-	INSTRUCTION, , Siehe nächste Seite(n)/See next page(s)/Voir page(s) suivante(s)/Se næste side (r )/Vedere pagin(a/e) sequent(e/i)
14	REF	-	INSTRUCTION, , Siehe Kapitel 06/See Chapter 06/Voir Chapitre 06/Se kapitel 06/Vedere capitolo 06
15	153700350006	1	NABE
16	153700350012	1	BREMSWELLE KPLT.

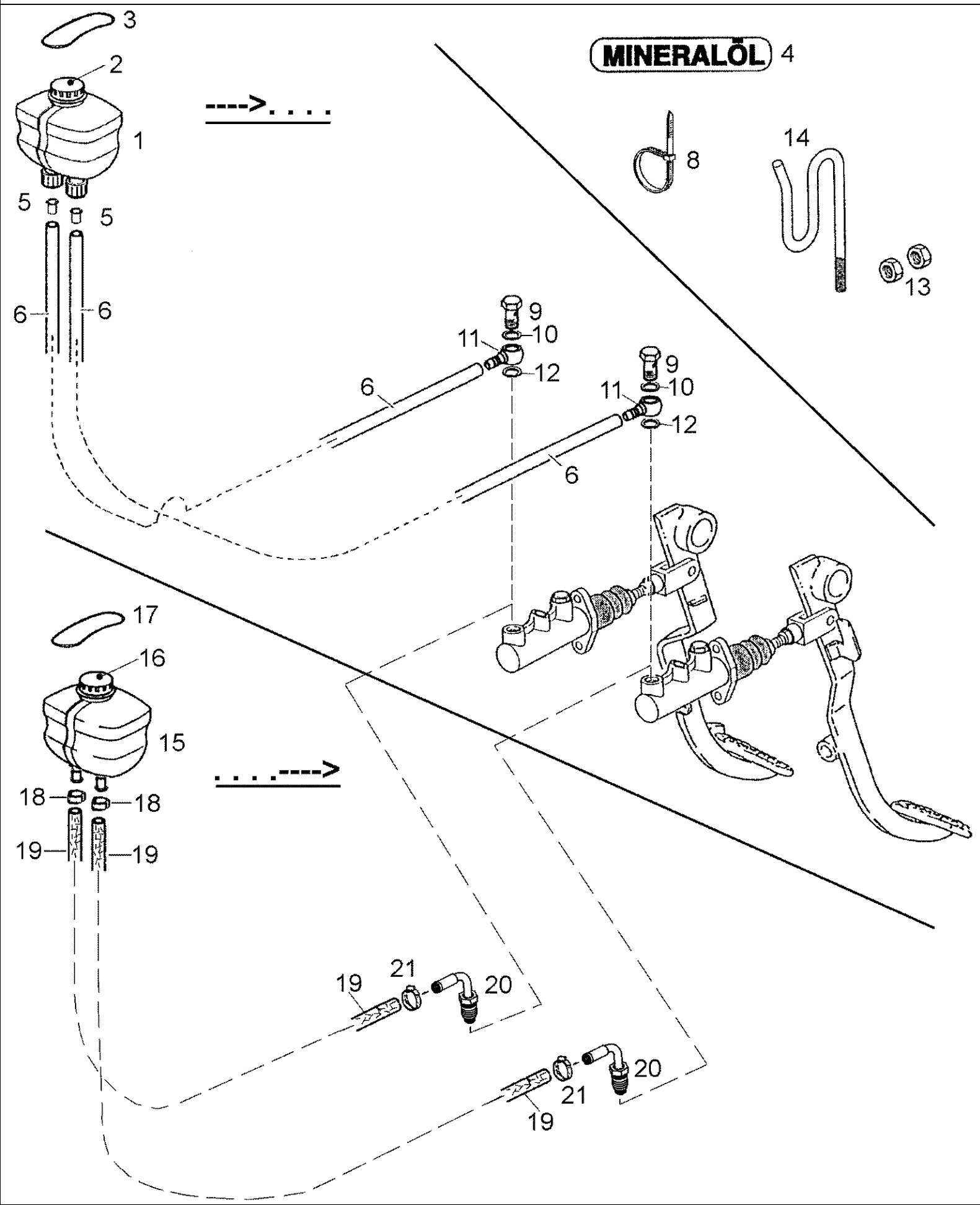


Ref	Onderdeelnummer	Kwt	Beschrijving
1	190003900229	2	PIN, LARGE, , 12h11x75x70
2	190003930282	6	SCHIJF, , A13
3	190003920321	6	SPLITPEN, , 4x20
4	153700340014	2	BRAKE LEVER,
5	190003903206	4	PIN, LARGE, , 12h11x45x40
6	337475	4	MOER, M12, CI 10,
7	133700340104	2	SCHIJF,
8	133700340105	2	SPRING, COMPRESSION,
9	133700340101	2	COVER, PROTECTIVE,
10	133700340103	2	DICHTINGSBESCHERMING,
11	133700340086	2	STANG,
12	133700340090	2	PIN, LARGE,
13	190003920143	2	SPLITPEN, , 2x20
14	1395340127	2	SPRING, TENSION,
15	190003802451	2	SCHROEF, Hex, M8 x 50, 8.8, , M8x50-8.8
16	1188570073	2	VERWISSELBAAR RISTERVOORS,
17	43362	2	MOER, M8, CI 10,
18	REF	-	INSTRUCTION, , Siehe Kapitel 06/See Chapter 06/Voir Chapitre 06/Se kapitel 06/Vedere capitolo 06
19	133700340063	2	REM (COMPLEET), , Besteht aus/Consists of/Compose de/Bestående af/È composto da 20 - 22
20	133700340106	8	SCHIJF,
21	133700340107	4	SLUITRING,
22	133700340108	2	DRUKPLAAT,
23	133700330102	2	COVER,
24	190003860177	10	SCHROEF, , M12x35-8.8

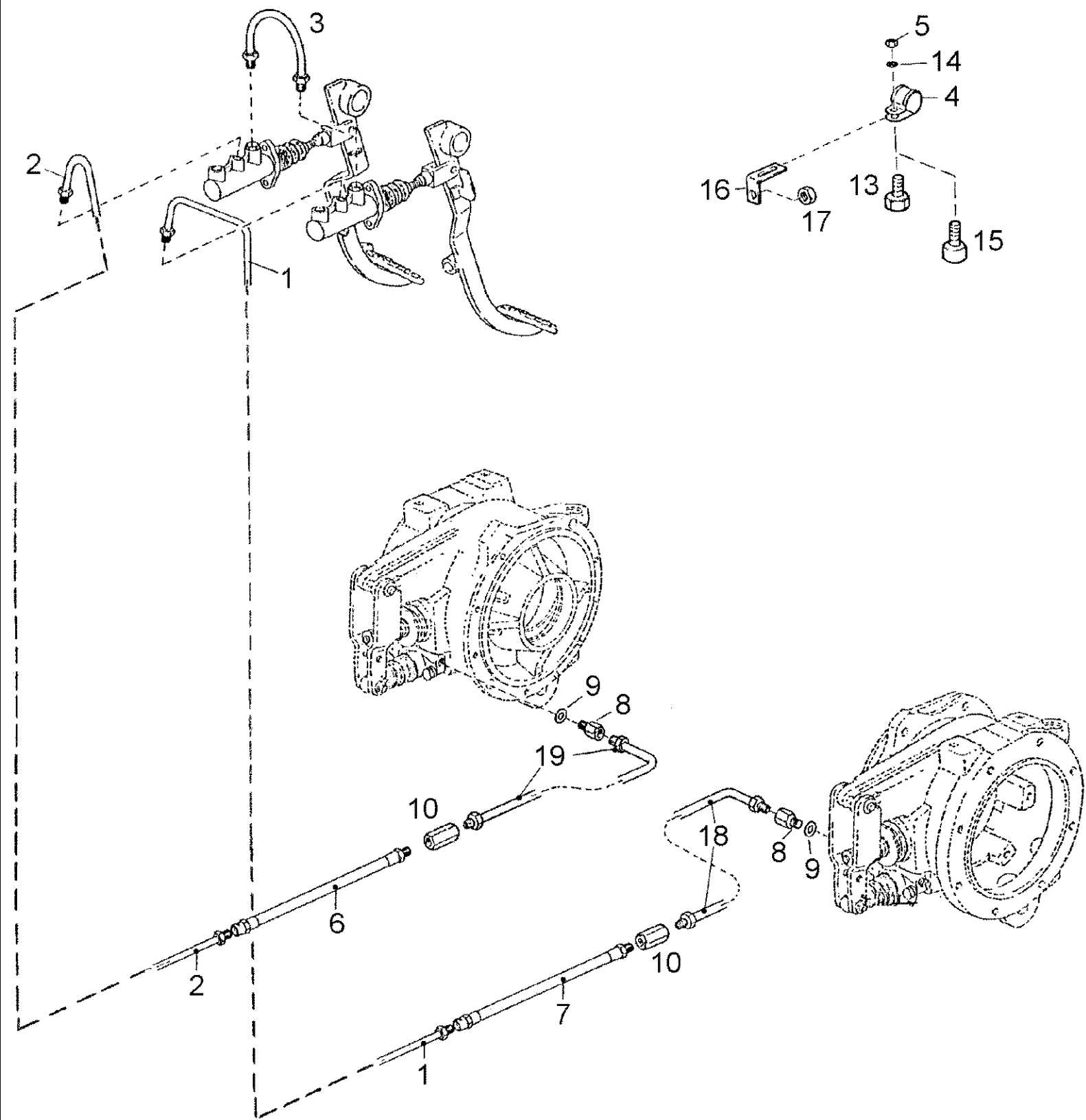




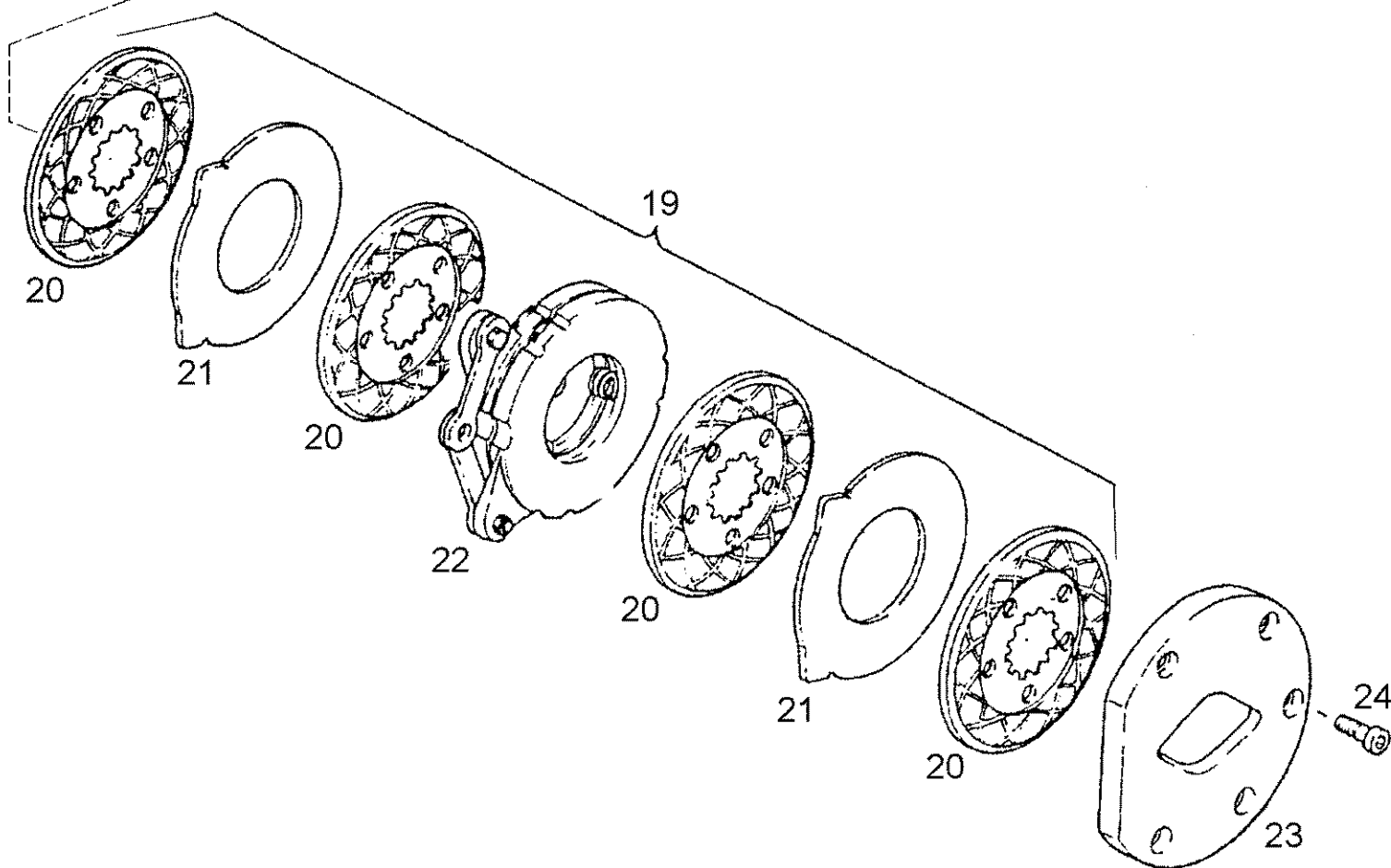
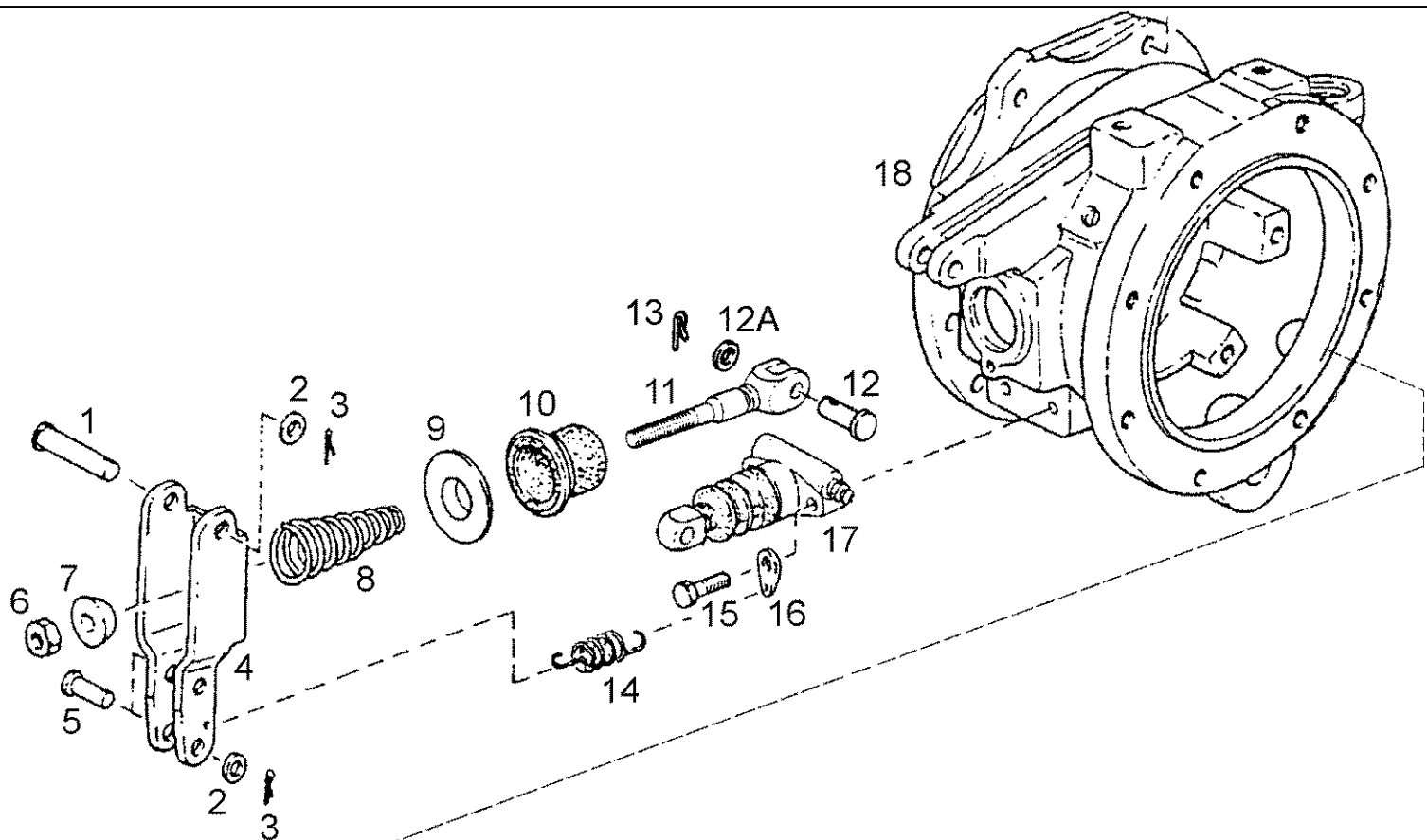
Ref	Onderdeelnummer	Kwt	Beschrijving
1	1-34-543-555	1	BRAKE LEVER, , Einschließlich/Includes/Avec/Inklusive/Compreso 3
2	1-34-543-556	1	BRAKE LEVER, , Einschließlich/Includes/Avec/Inklusive/Compreso 3
3	1-34-543-526	4	LAGERBUS,
5	REF	-	INSTRUCTION, , Siehe Kapitel 06/See Chapter 06/Voir Chapitre 06/Se kapitel 06/Vedere capitolo 06
6	REF	-	INSTRUCTION, , Siehe Kapitel 06/See Chapter 06/Voir Chapitre 06/Se kapitel 06/Vedere capitolo 06
7	1288570057	2	SPRING, TENSION,
8	1-34-543-532	1	LATCH, PEDALS,
9	190003800637	1	SCHROEF, , M12x55-8.8
10	832-41312	1	NUT, LOCK, M12 x 1.75, CI 10,
11	1-34-643-012	2	AFSCHERMING,
12	15896221	2	MOER, M6, CI 10, , M6-8-A2C, DIN934
13	1-33-135-113	2	WIELREMCYLINDER, , Einschließlich/Includes/Avec/Inklusive/Compreso 31
13A	1-33-135-417	2	WIELREMCYLINDER, , Ersetzt/Replaces/Remplace/Udskiftet/Sostituisce 1-33-135-113
14	190003964444	2	VORK, , G10x40
15	100016	2	MOER, M10, CI 8,
16	1780350054	2	PIN, LARGE, , 10x40
17	43127	2	BOUT, Hex, M8 x 25, 8.8, Wahlweise/Optional/En Option/Efter valg/A scelta
17	43128	2	BOUT, Hex, M8 x 30, 8.8,
18	43362	4	MOER, M8, CI 10,
19	1188730158	2	O-RING, , 29x3
20	REF	-	INSTRUCTION, , Siehe Kapitel 04/See Chapter 04/Voir Chapitre 04/Se kapitel 04/Vedere capitolo 04
31	1-33-735-001	1	SET, , Besteht aus/Consists of/Compose de/Bestående af/È composto da 32 - 40
32	NSS	-	NIET ALLEEN VERKRIJGBAAR,
33	NSS	-	NIET ALLEEN VERKRIJGBAAR,
34	NSS	-	NIET ALLEEN VERKRIJGBAAR,
35	NSS	-	NIET ALLEEN VERKRIJGBAAR,
36	NSS	-	NIET ALLEEN VERKRIJGBAAR,
37	NSS	-	NIET ALLEEN VERKRIJGBAAR,
38	NSS	-	NIET ALLEEN VERKRIJGBAAR,
39	NSS	-	NIET ALLEEN VERKRIJGBAAR,
40	NSS	-	NIET ALLEEN VERKRIJGBAAR,



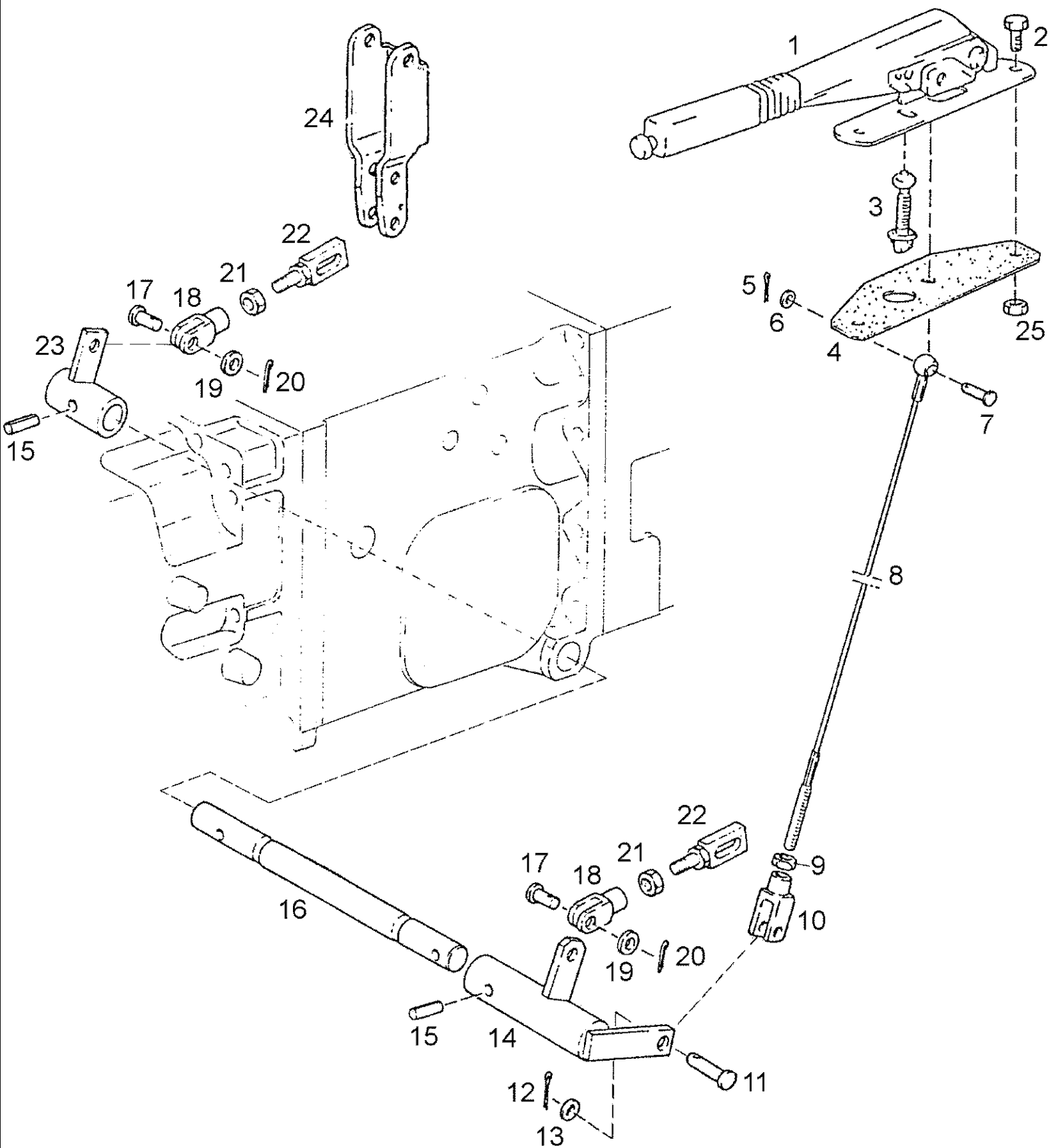
Ref	Onderdeelnummer	Kwt	Beschrijving
1	1-33-135-200	1	RESERVOIR, BRAKE FLUID, , Einschließlich/Includes/Avec/Inklusive/Compreso 2
2	340661A1	1	CAP, FILLER,
3	161000050031	1	DICHTINGSRING,
4	1-33-135-050	1	DECAL,
5	199014280016	2	LAGER,KOPPELING DRUKPLAA,
6	190003179782	X	OPVULPIJP, , 6x1; L = 800mm - Wahlweise/Optional/En Option/Efter valg/A scelta
6	190003179782	X	OPVULPIJP, , 6x1; L = 770mm
8	190003171697	2	BEVESTIGINGSKLEM, , A5x180 / K02
9	1292350043	2	VIJZELSCHROEF, , 14/M12x1
10	190003098014	2	DICHTINGSRING, , A14x18-CU-DIN7603
11	199014230018	2	FITTING,
12	190003098013	2	DICHTINGSRING, , A12x18-CU
13	43362	2	MOER, M8, CI 10,
14	1-33-135-135	1	STANG,
15	1-33-135-400	1	RESERVOIR, , Einschließlich/Includes/Avec/Inklusive/Compreso 16
16	NSS	-	NIET ALLEEN VERKRIJGBAAR,
17	161000050031	1	DICHTINGSRING,
18	1-33-155-616	2	KLEM, , Ø = 15,3mm
19	1-33-135-299	2	SLANG, GROOT,
20	1-33-135-291	2	VASTE BUIS,
21	1-33-155-615	2	KLEM, , Ø = 13,8mm



Ref	Onderdeelnummer	Kwt	Beschrijving
1	1-33-135-502	1	DRUKLEIDING,
2	1-33-135-503	1	DRUKLEIDING,
3	1-33-135-501	1	LEIDING,
4	159000360181	5	KLEM,
5	825-1405	5	MOER, M5, CI 8,
6	1-33-135-370	1	FLEXIBELE BUIS,
7	1-33-135-371	1	FLEXIBELE BUIS,
8	1395350063	2	FITTING, , M10/M12i
9	190003098011	2	DICHTINGSRING, , A10x16-CU
10	1680G360103	2	COUPLING JOINT,
13	190003802218	2	SCHROEF, , M5x16-8.8-A2C
14	190003936100	5	SLUITRING, , 5,3-140HV-A3C
15	190003822232	3	SCHROEF, , M5x16-4.8
16	1-35-127-010	3	HOEKSTUK,
17	337475	2	MOER, M12, CI 10,
18	1-33-135-504	1	REMLEIDING,
19	1-33-135-505	1	REMLEIDING,



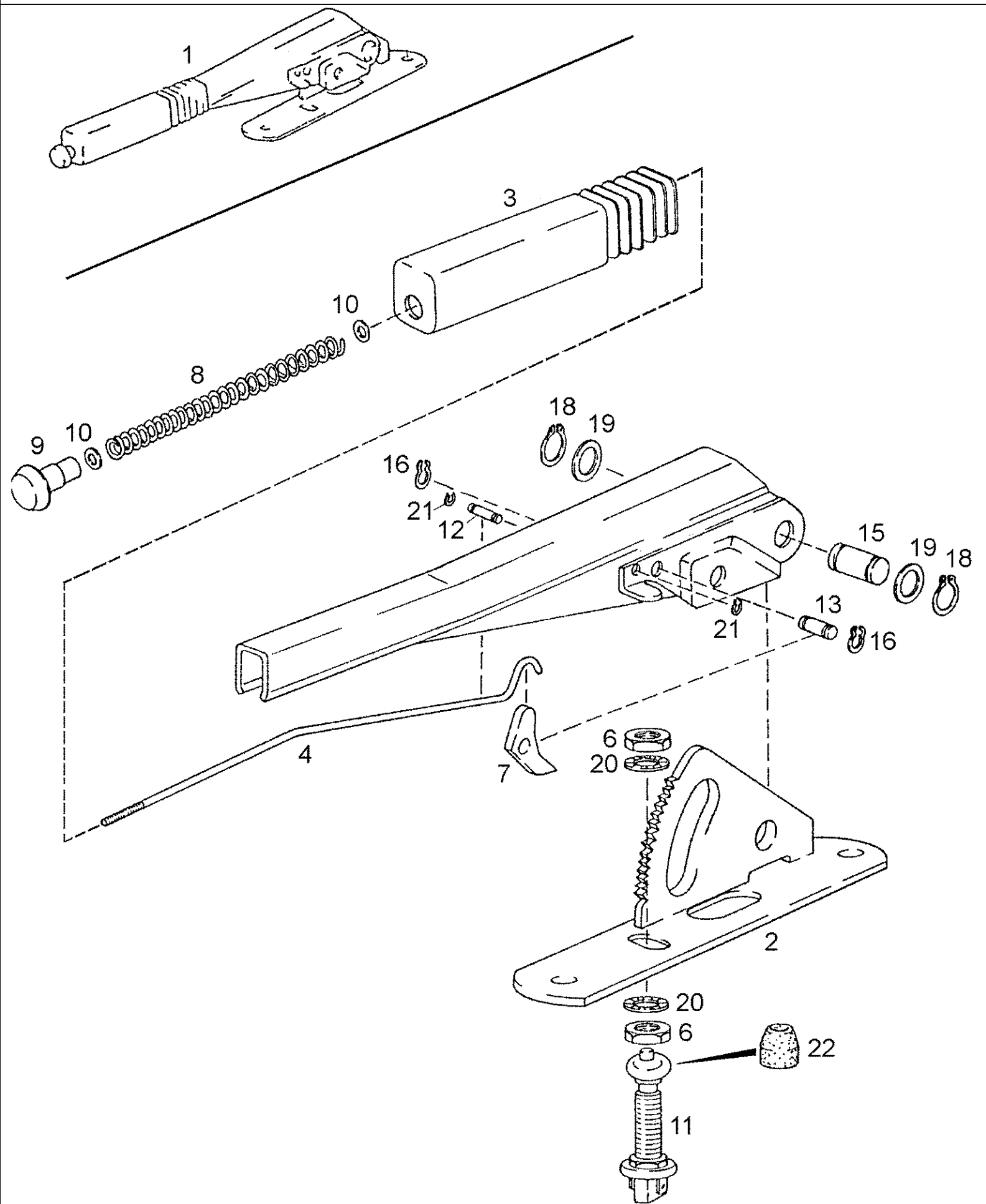
Ref	Onderdeelnummer	Kwt	Beschrijving
1	190003900229	2	PIN, LARGE, , 12h11x75x70
2	190003930282	6	SCHIJF, , A13
3	190003920321	6	SPLITPEN, , 4x20
4	153700340014	2	BRAKE LEVER,
5	190003903206	4	PIN, LARGE, , 12h11x45x40
6	190003880141	2	MOER, , M12-8
7	133700340104	2	SCHIJF,
8	133700340105	2	SPRING, COMPRESSION,
9	133700340101	2	COVER, PROTECTIVE,
10	133700340103	2	DICHTINGSBESCHERMING,
11	133700340086	2	STANG,
12	153700340019	2	BOLZEN
12A	190003930081	2	SCHIJF, , 11x17x1
13	190003920012	2	SPLITPEN, , 3,2x18
14	1395340127	2	SPRING, TENSION,
15	190003802442	4	SCHROEF, , M8x40-8.8
16	1188570073	2	VERWISSELBAAR RISTERVOORS,
17	153700340006	2	CYLINDER,
18	REF	-	INSTRUCTION, , Siehe Kapitel 06/See chapter 06/Voir chapitre 06/Se kapitel 06/Vedere capitolo 06
19	133700340063	2	REM (COMPLEET), , Besteht aus/Consists of/Compose de/Bestående af/È composto da 20 - 22
20	133700340106	4	SCHIJF,
21	133700340107	2	SLUITRING,
22	133700340108	2	DRUKPLAAT,
23	133700330102	2	COVER,
24	190003860177	10	SCHROEF, , M12x35-8.8





## 07-08(01) PARKING BRAKE CONTROLS

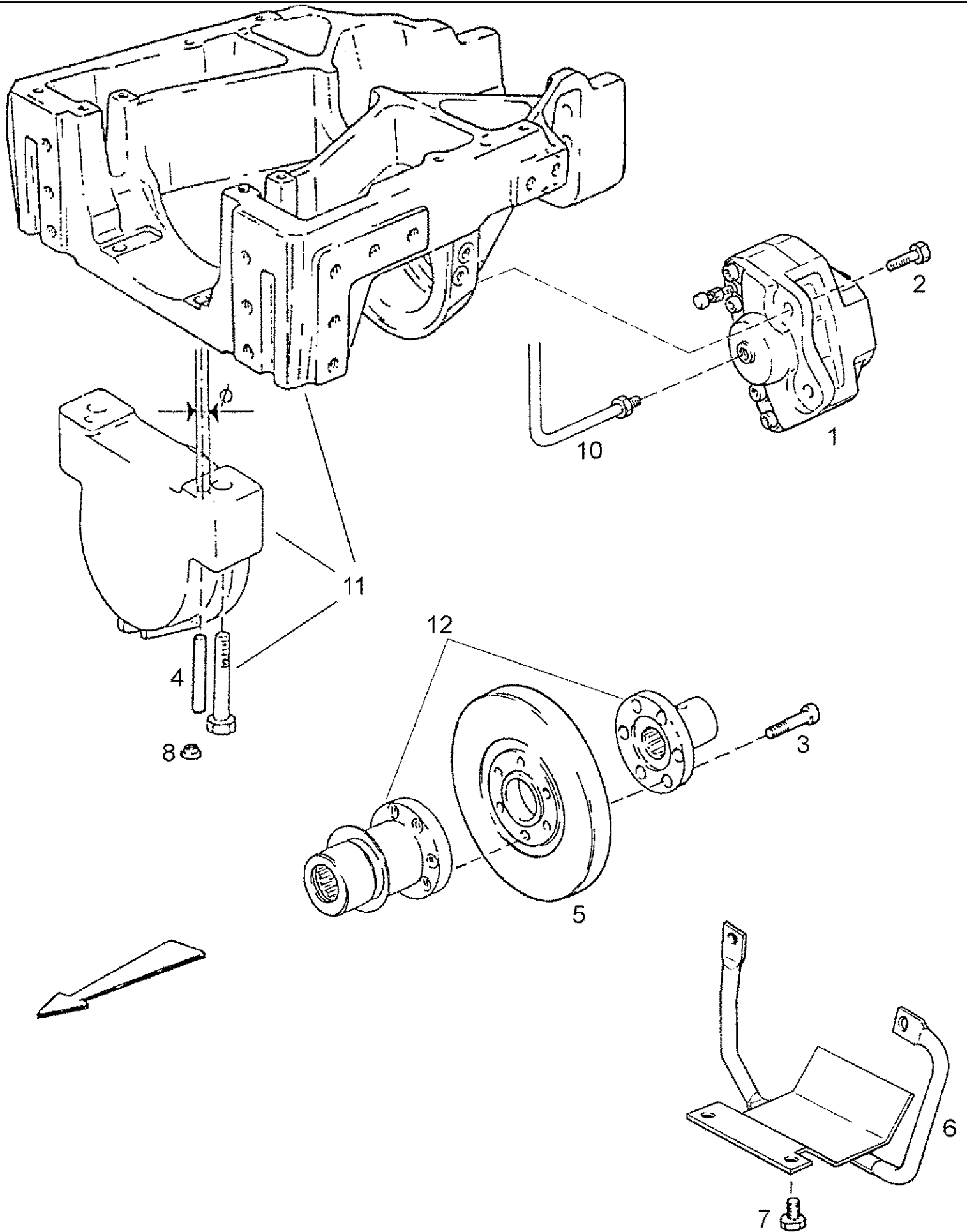
Ref	Onderdeelnummer	Kwt	Beschrijving
1	1-34-443-091	1	HANDREM, , Siehe nächste Seite(n)/See next page(s)/Voir page(s) suivante(s)/Se næste side (r )/Vedere pagin(a/e) sequent(e/i)
2	43138	2	BOUT, Hex, M10 x 20, 8.8, Full Thd,
3	REF	-	INSTRUCTION, , Siehe nächste Seite(n)/See next page(s)/Voir page(s) suivante(s)/Se næste side (r )/Vedere pagin(a/e) sequent(e/i)
4	1-34-543-001	1	DICHTINGSSTUK,
5	190003920221	1	SPLITPEN, , 3,2x18
6	190003930271	1	SCHIJF, , A10,5-140HV-A3C
7	190003900066	1	PIN, LARGE, , 10h11x40x35
8	1-34-543-201	1	ROPE, METAL,
9	100016	1	MOER, M10, CI 8,
10	190003964444	1	VORK, , G10x40
11	190003903645	1	PIN, LARGE, , 10h11x28x24
12	190003920221	1	SPLITPEN, , 3,2x18
13	190003930271	1	SCHIJF, , A10,5-140HV-A3C
14	133700350230	1	NAAF,
14	1-33-135-271	1	HUB ASSY, , Mit 73L- Kraftstoffbehälter/With 73L- Fuel tank/Avec 73L- Réservoir a combustible/Med 73L- Brændstofbeholder/Con 73L- Serbatoio carburante
15	190003904275	2	PEN, , 10x45
16	133700350086	1	AS,
17	190003903645	2	PIN, LARGE, , 10h11x28x24
18	190003964436	2	VORK, , G10x20
19	190003930271	2	SCHIJF, , A10,5-140HV-A3C
20	190003920217	2	SPLITPEN, , 3,2x16
21	100016	2	MOER, M10, CI 8,
22	133700350248	2	STANG,
23	133700350236	1	NAAF,
24	REF	-	INSTRUCTION, , Siehe Seite(n) vorne/See Page(s) before/Voir Page(s) avant/Se side (r ) forrest/Vedere pagin(a/e) precedent(e/i)
25	190003888452	2	MOER, , VM10-8



## 07-09(01) PARKING BRAKE, DISASSEMBLED

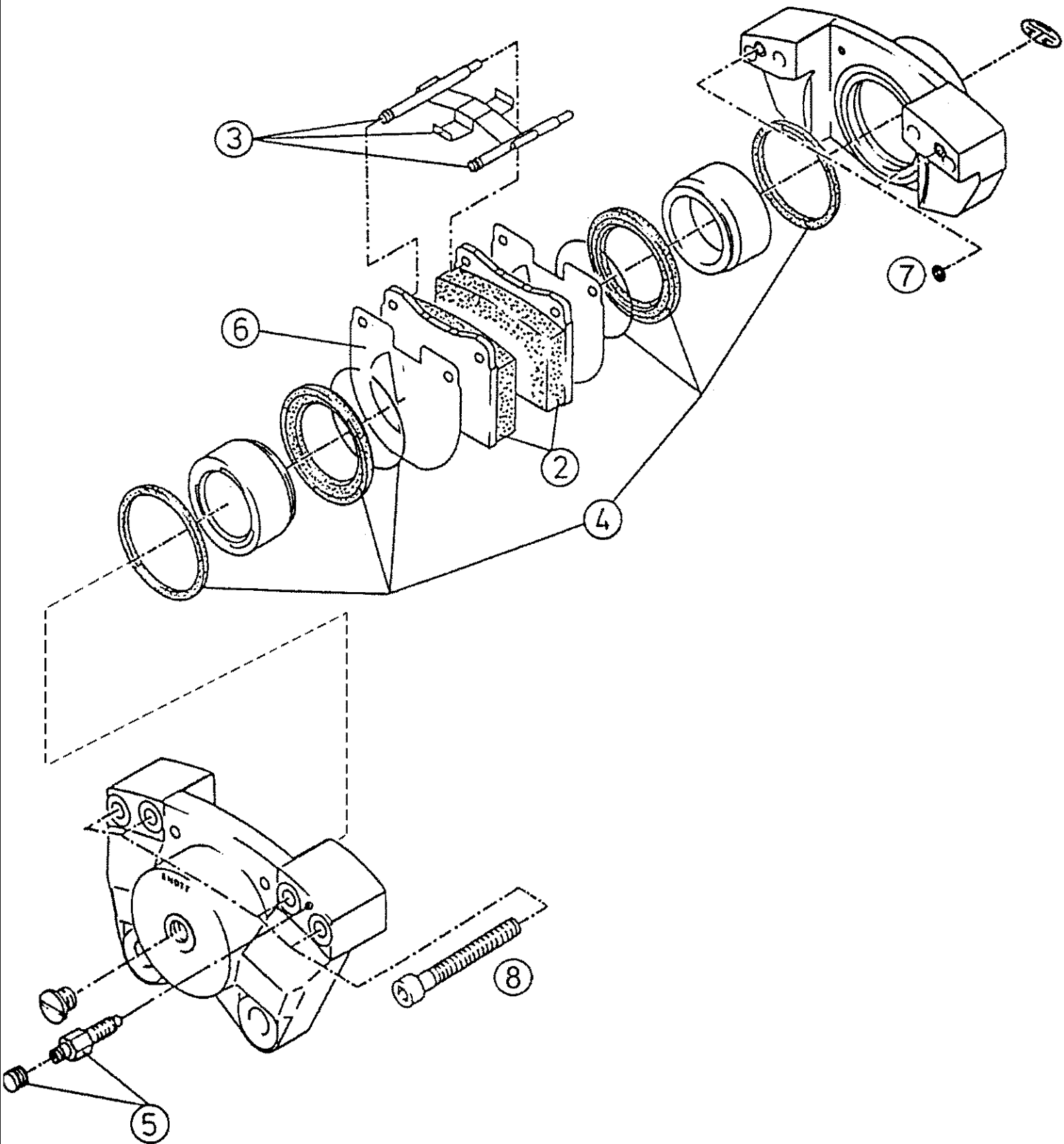
Ref	Onderdeelnummer	Kwt	Beschrijving
1	1-34-443-091	1	HANDREM, , Einschließlich/Includes/Avec/Inklusive/Compreso 2 - 22
2	1-34-743-002	1	STEUN,
3	1-34-743-003	1	HANDGREEP,
4	1-34-743-004	1	STANG,
6	1-34-743-005	2	MOER,
7	1-34-743-006	1	DETENT,
8	1-34-743-007	1	VEER,
9	1-34-743-008	1	DRUKKNOP,
10	1-34-743-009	2	SPRING, BELLEVILLE,
11	1-34-743-001	1	SCHAKELAAR, , Einschließlich/Includes/Avec/Inklusive/Compreso 22 - Siehe Kapitel 04/See chapter 04/Voir chapitre 04/Se kapitel 04/Vedere capitolo 04
12	1-34-743-010	1	BOUT,
13	1-34-743-011	1	PEN,
15	1-34-743-012	1	BOUT,
16	1-34-743-013	2	BORGVEER, , Ø8mm
18	1-34-743-014	2	BORGVEER, , Ø14mm
19	1-34-743-015	2	SLUITRING,
20	1-34-743-016	2	SLUITRING,
21	1-34-743-018	2	BOORGVEER, , Ø5mm
22	1-34-743-019	1	BOOT,
	1-34-743-017	1	SLUITRING, , Ø12mm

07-10(01) FRONT AXLE BRAKES (VAAST)



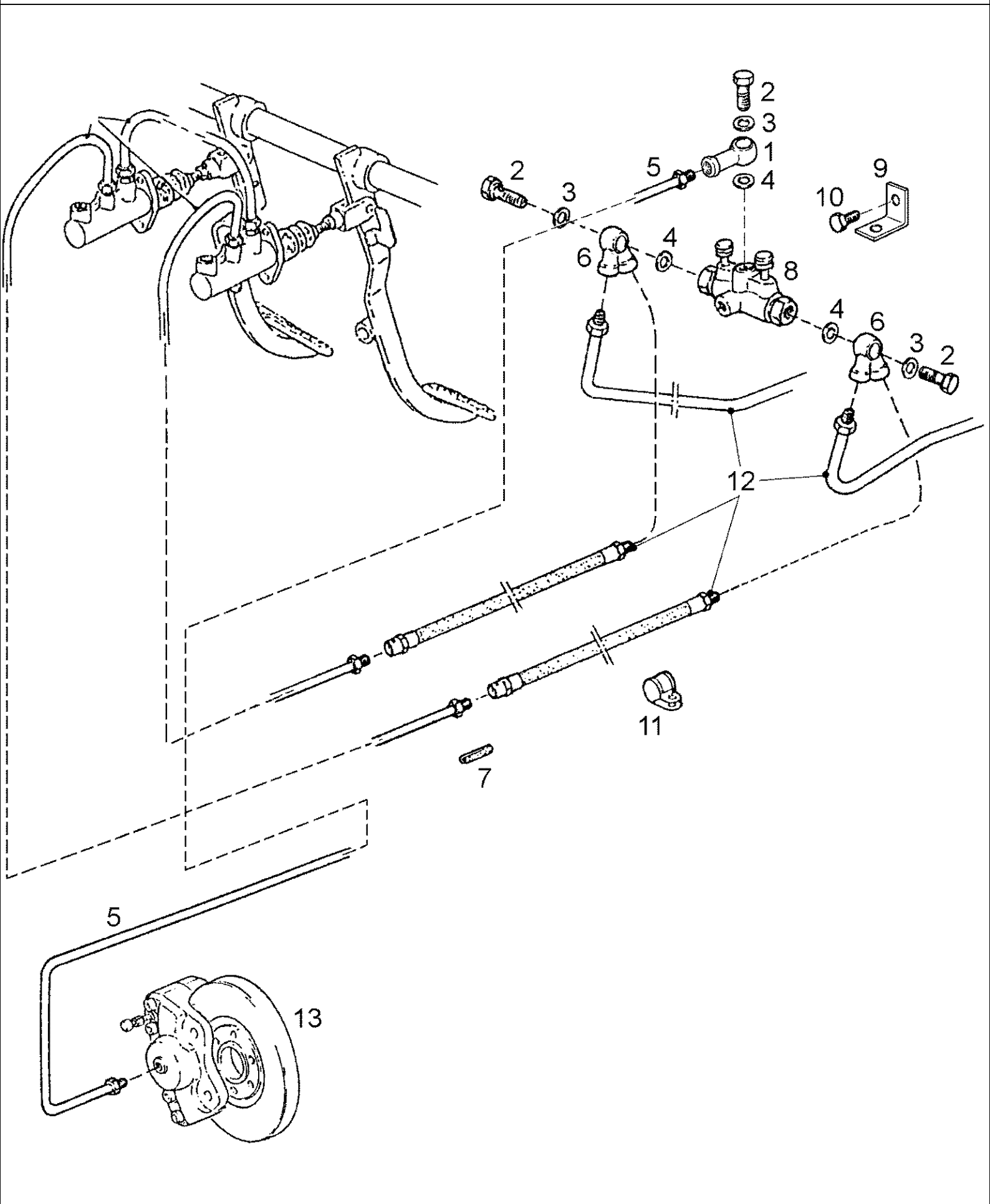
## 07-10(01) FRONT AXLE BRAKES (VAAST)

Ref	Onderdeelnummer	Kwt	Beschrijving
1	1-33-244-003	1	BRAKE, , Siehe nächste Seite(n)/See next page(s)/Voir page(s) suivante(s)/Se næste side (r)/Vedere pagin(a/e) sequent(e/i)
2	190003802623	4	SCHROEF, , M12x30-10.9
3	190003862642	8	SCHROEF, , M12x50-10.9
4	1-33-141-017	2	PEN, , Ø9,7mm x80mm
4	1-33-141-019	2	PEN, , Ø9,7mm x45mm
5	1-33-144-001	1	REMSCHIJF,
6	1-33-144-010	1	COVER, PROTECTIVE,
7	43151	2	BOUT, Hex, M12 x 20, 8.8, Full Thd, , M12x20-8.8
8	190003171877	2	PLUG, , A10,4x5,5
10	REF	-	INSTRUCTION, , Siehe nächste Seite(n)/See next page(s)/Voir page(s) suivante(s)/Se næste side (r)/Vedere pagin(a/e) sequent(e/i)
11	REF	-	INSTRUCTION, , Siehe Kapitel 05/See chapter 05/Voir chapitre 05/Se kapitel 05/Vedere capitolo 05
12	REF	-	INSTRUCTION, , Siehe Kapitel 05/See chapter 05/Voir chapitre 05/Se kapitel 05/Vedere capitolo 05



## 07-11(01) FRONT AXLE BRAKES (VAAST) - BRAKE UNIT, DISASSEMBLED

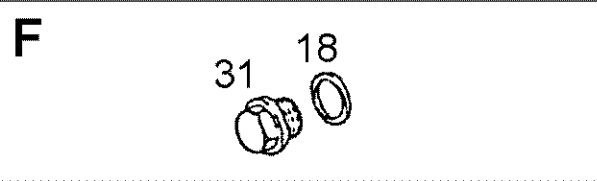
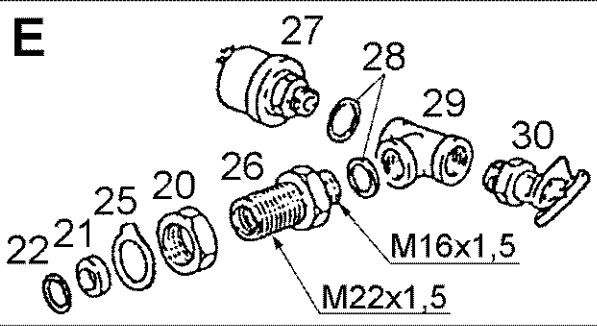
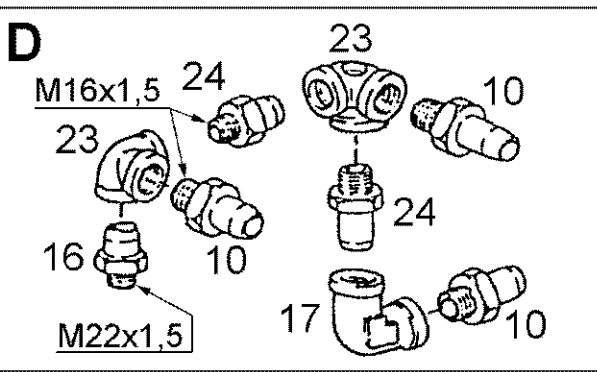
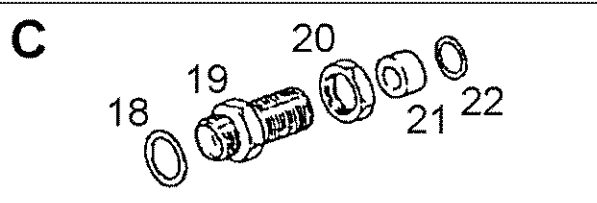
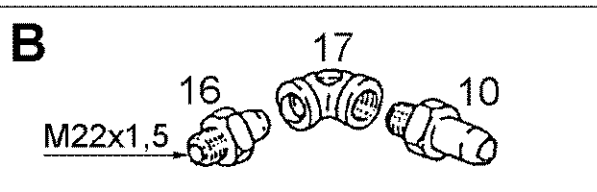
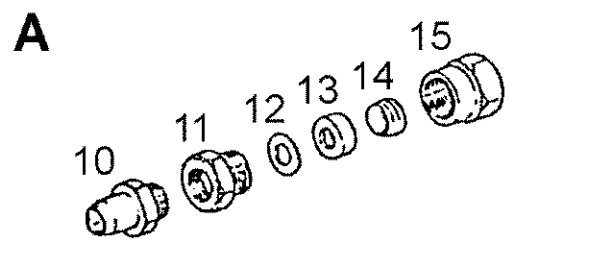
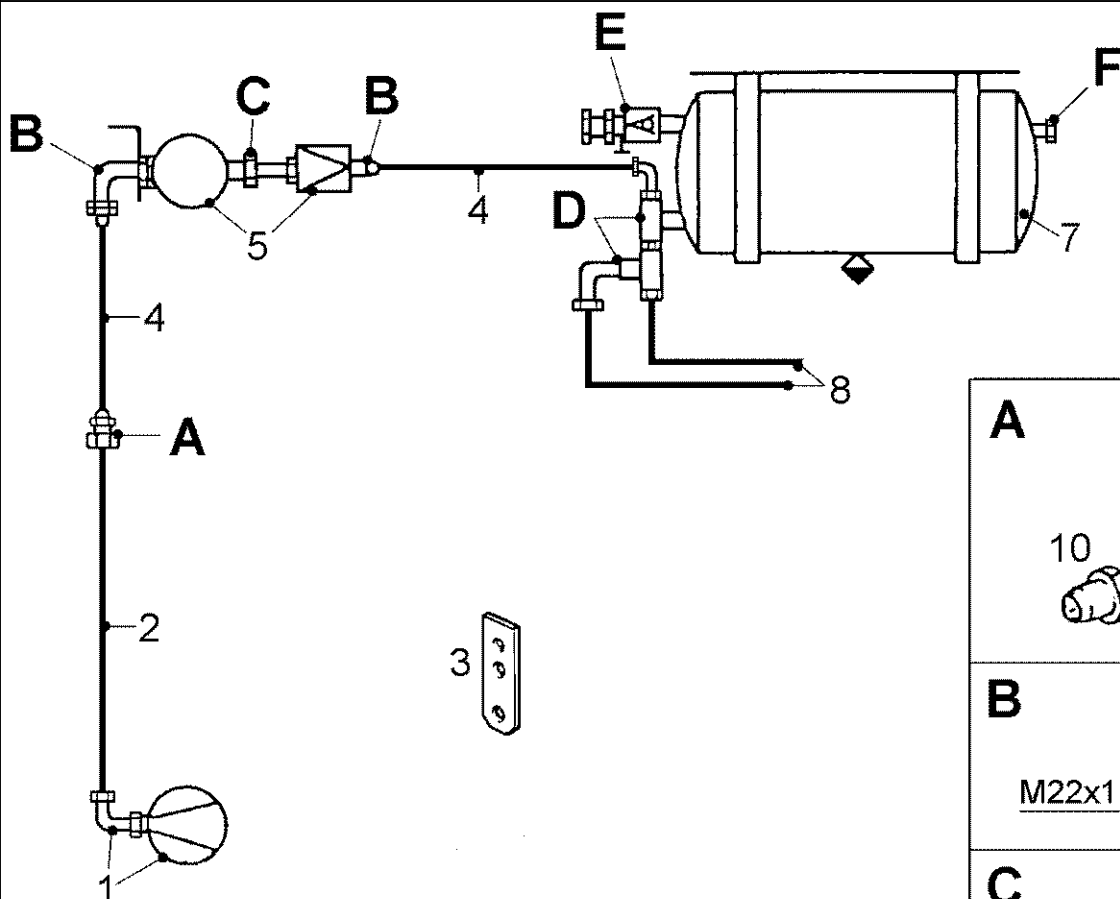
Ref	Onderdeelnummer	Kwt	Beschrijving
	1-33-244-003	1	BRAKE,
2	135700440704	1	BLOK,
3	135700440705	1	SET OF PARTS,
4	1-33-744-001	1	SET,
5	1-33-744-002	1	VALVE,
6	135700440708	2	SHEET,
7	299963A1	2	DICHTINGSRING,
8	299964A1	4	SCHROEF,



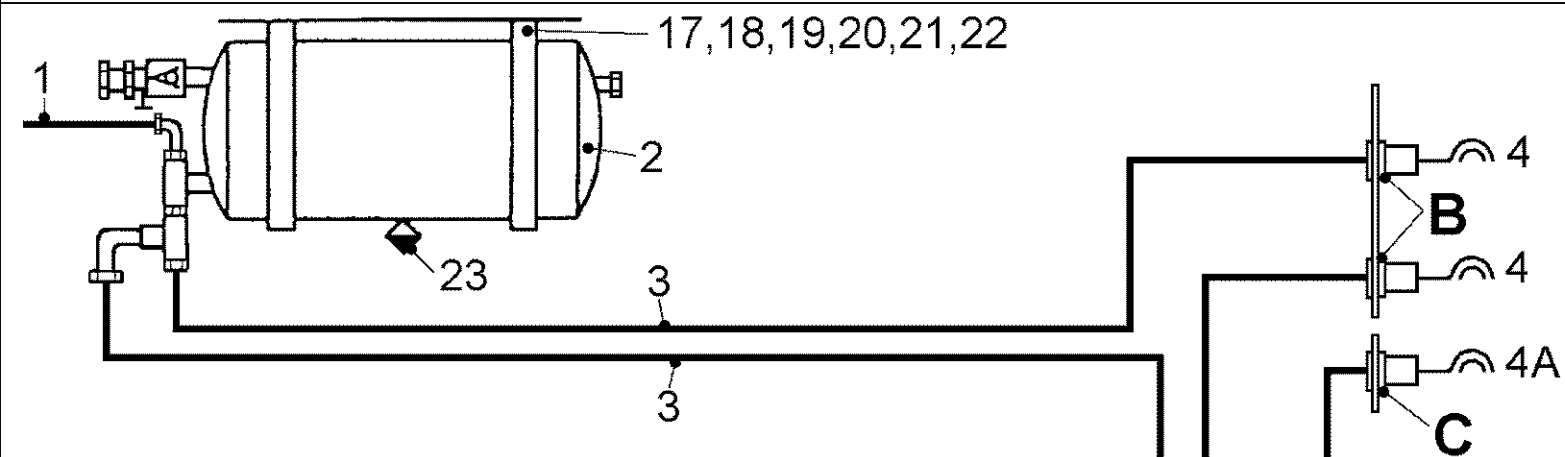


## 07-12(01) FRONT AXLE BRAKES (VAAST) - BRAKES-PIPING

Ref	Onderdeelnummer	Kwt	Beschrijving
1	1880360006	2	FITTING,
2	1292350043	2	VIJZELSCHROEF, , 14/M12x1
3	190003098014	2	DICHTINGSRING, , A14x18-CU-DIN7603
4	190003098013	2	DICHTINGSRING, , A12x18-CU
5	1-33-144-027	1	BRAKE,
6	1880360068	2	VERBINDINGSBOUT, , 14/M12x1; 2x
7	190003489218	2	FLEXIBELE BUIS, , B6x0,6; L = 30mm
8	1-33-135-327	1	VALVE,
9	161500010032	1	HOEKSTUK,
10	190003802401	1	SCHROEF, , M8x10-8.8
11	11800580043	2	LEIDINGKLEM,
12	REF	-	INSTRUCTION, , Siehe Seite(n) vorne/See Page(s) before/Voir Page/s) avant/Se side (r ) forrest/Vedere pagin(a/e) precedent(e/i)
13	REF	-	INSTRUCTION, , Siehe Seite(n) vorne/See Page(s) before/Voir Page/s) avant/Se side (r ) forrest/Vedere pagin(a/e) precedent(e/i)

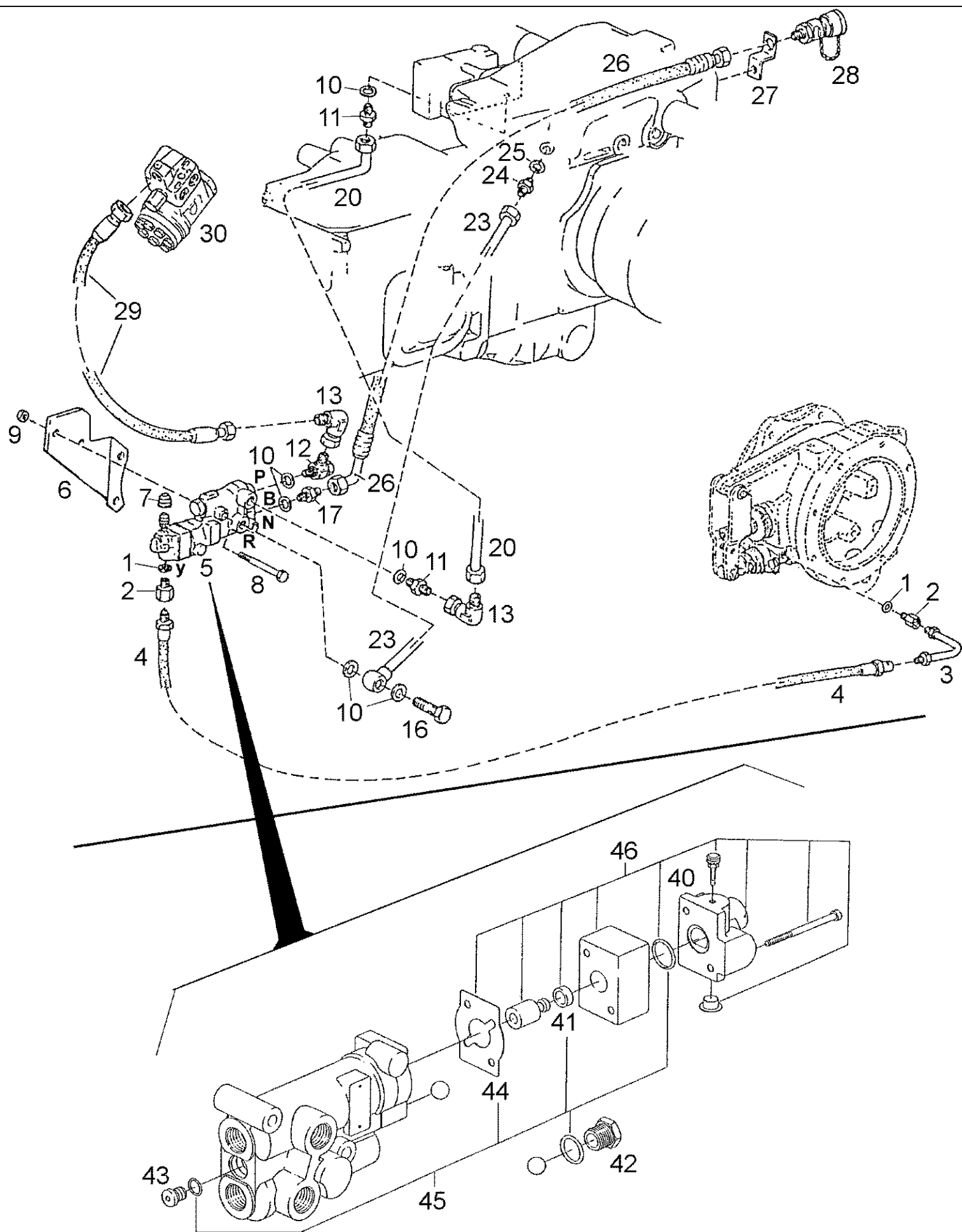


Ref	Onderdeelnummer	Kwt	Beschrijving
1	REF	-	INSTRUCTION, , Kompressor/Compressor/Compresseur/Kompressor/Compressore - Siehe Kapitel 02/ See Chapter 02/ Voir Chapitre 02/ Se kapitel 02/ Vedere capitolo 02
2	1-33-136-087	1	LEIDING,
3	1-33-147-031	1	STEUNBEUGEL,
4	190003179785	X	FLEXIBELE SLANG, , 12x1,5
5	1-33-136-006	1	REGELAAR, , ---->.....
5	1-33-136-188	1	REMKLEP, , .....---->
7	REF	-	INSTRUCTION, , Siehe nächste Seite(n)/See next page(s)/Voir page(s) suivante(s)/Se næste side (r )/Vedere pagin(a/e) sequent(e/i)
8	REF	-	INSTRUCTION, , Siehe nächste Seite(n)/See next page(s)/Voir page(s) suivante(s)/Se næste side (r )/Vedere pagin(a/e) sequent(e/i)
10	169200270145	5	KOPPELING,
11	199100360161	1	VERBINDING,
12	190003559539	1	SEAL ASSY., , D12-ZINK
13	190003559538	1	RING, THRUST, , AL15
14	190003559562	1	TONNETJE, , L15
15	190003559520	1	NUT, TUBE, , L15
16	1-33-136-142	2	VERBINDING,
17	1-33-136-143	2	ELLEBOOG,
18	190003098026	2	DICHTINGSRING, , A22x27-CU
19	190003559385	1	VERBINDING,
20	190003559547	2	MOER, , M22x1,5
21	1-33-136-150	2	RING,
22	1-33-136-151	2	O-RING,
23	1-33-136-146	2	VERBINDING,
24	1-33-136-141	2	VERBINDING,
25	1292770137	1	CONNECTOR,
26	199100270306	1	FITTING,
27	169200710001	1	ZENDER,
28	190003098016	2	DICHTINGSRING, , A16x20-CU
29	169200270161	1	TEE,
30	1-33-136-013	1	CONNECTION,
31	190003962038	1	PLUG, Hex Wash Hd, M22 x 1.5, , A-M22x1,5



<b>A</b> <p>10 11 12 M22x1,5</p>
<b>B</b> <p>12 13 14 15 16 M16x1,5</p>
<b>C</b> <p>12 13 14 M16x1,5 M22x1,5</p>
<b>D</b> <p>11 12</p>
<b>E</b> <p>12 M16x1,5</p>

Ref	Onderdeelnummer	Kwt	Beschrijving
1	REF	-	INSTRUCTION, , Siehe Seite(n) vorne/See Page(s) before/Voir Page/s) avant/Se side (r ) forrest/Vedere pagin(a/e) precedent(e/i)
2	190003551346	1	TANK AIR,
3	190003179785	X	FLEXIBELE SLANG, , 12x1,5
4	189100360130	1	SNELKOPPELING, , Rot/Red/Rouge/Rød/Rosso
4	189100360131	1	SNELKOPPELING, , Gelb/Yellow/Jaune/Gul/Giallo
4A	189000360444	1	SNELKOPPELING,
5	1-33-136-061	1	VALVE, BRAKE,
10	1-33-136-142	1	VERBINDING,
11	1-33-136-143	2	ELLEBOOG,
12	169200270145	5	KOPPELING,
13	199100270304	3	VERBINDING,
14	190003871545	5	MOER, , M16x1,5-05-A3C-DIN936
15	1-33-136-208	2	SLUITRING DRUKPLAAT,
16	1406070015	2	O-RING,
16	1-33-136-207	2	O-RING,
17	1-33-136-079	1	GUIDE, LEVERS,
18	133700360029	2	BEVESTIGINGSBAND,
19	190003802493	2	SCHROEF, , M8x110-8.8-A2C
20	1213S550107	2	AFSTANDSSTUK VOOR BUIZEN,
21	11700550013	2	PIN, LARGE,
22	1209190017	2	PIN, LARGE,
23	179200360424	1	OVERDRUKVENTIEL,

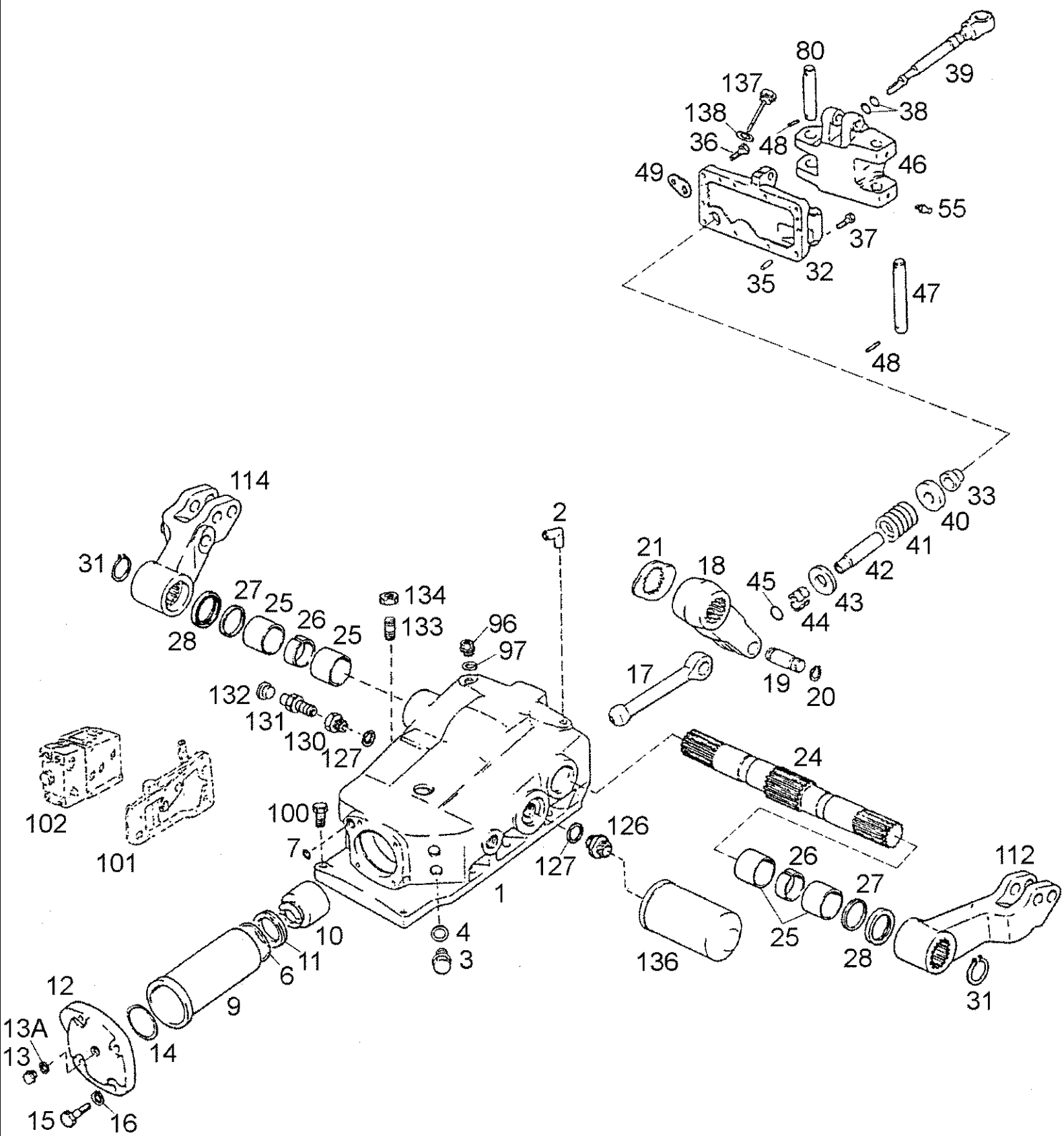


## 07-15(01) HYDRAULIC TRAILER BRAKE

Ref	Onderdeelnummer	Kwt	Beschrijving
1	190003098010	2	DICHTINGSRING, , A10x13,5-CU
2	1395350063	2	FITTING, , M10/M12i
3	135700440008	1	REMLEIDING,
4	1-33-135-371	1	FLEXIBELE BUIS,
5	1-33-135-351	1	REMKLEP AANHANGWAGEN, , Ersetzt/Replaces/Remplace/Udskiftet/Sostituisce 1-33-135-323
6	1-33-135-252	1	STEUNBEUGEL,
7	1-99-964-007	1	STOFKAP,
8	190003802466	2	SCHROEF, , M8x65-8.8
9	190003888451	2	MOER, , VM8-8
10	190003098021	6	DICHTINGSRING, , A18x24-CU
11	190003559494	2	VERBINDING, , L15A-M
12	133700470161	1	JOINT, SWING,
13	190003559493	2	VERBINDING, , L15
16	190003962632	1	VIJZELSCHROEF, , 15-3
17	1390470039	1	KOPPELING, , M18x1,5/M18x1,5
20	1-33-135-156	1	DRUKLEIDING,
23	1-33-135-179	1	PIPE, RETURN,
24	180327030007	1	MOER VOOR BUIZEN, , M22x1,5/M22x1,5
25	190003098026	1	DICHTINGSRING, , A22x27-CU
26	133700470189	1	FLEXIBELE BUIS,
27	1-33-135-118	1	HOEKSTUK,
28	137700350043	1	SNELKOPPELING,
29	REF	-	INSTRUCTION, , Siehe Kapitel 08/See chapter 08/Voir chapitre 08/Se kapitel 08/Vedere capitolo 08
30	REF	-	INSTRUCTION, , Siehe Kapitel 05/See chapter 05/Voir chapitre 05/Se kapitel 05/Vedere capitolo 05
40	1-33-735-002	1	VALVE,
41	1-33-735-027	1	RING,
42	1-33-735-025	1	SCHROEF,
43	1-33-735-024	1	SCHROEF,
44	137700350804	1	DICHTINGSSTUK,
45	1-33-735-023	1	KIT, GASKET,
46	1-33-735-017	1	SET,





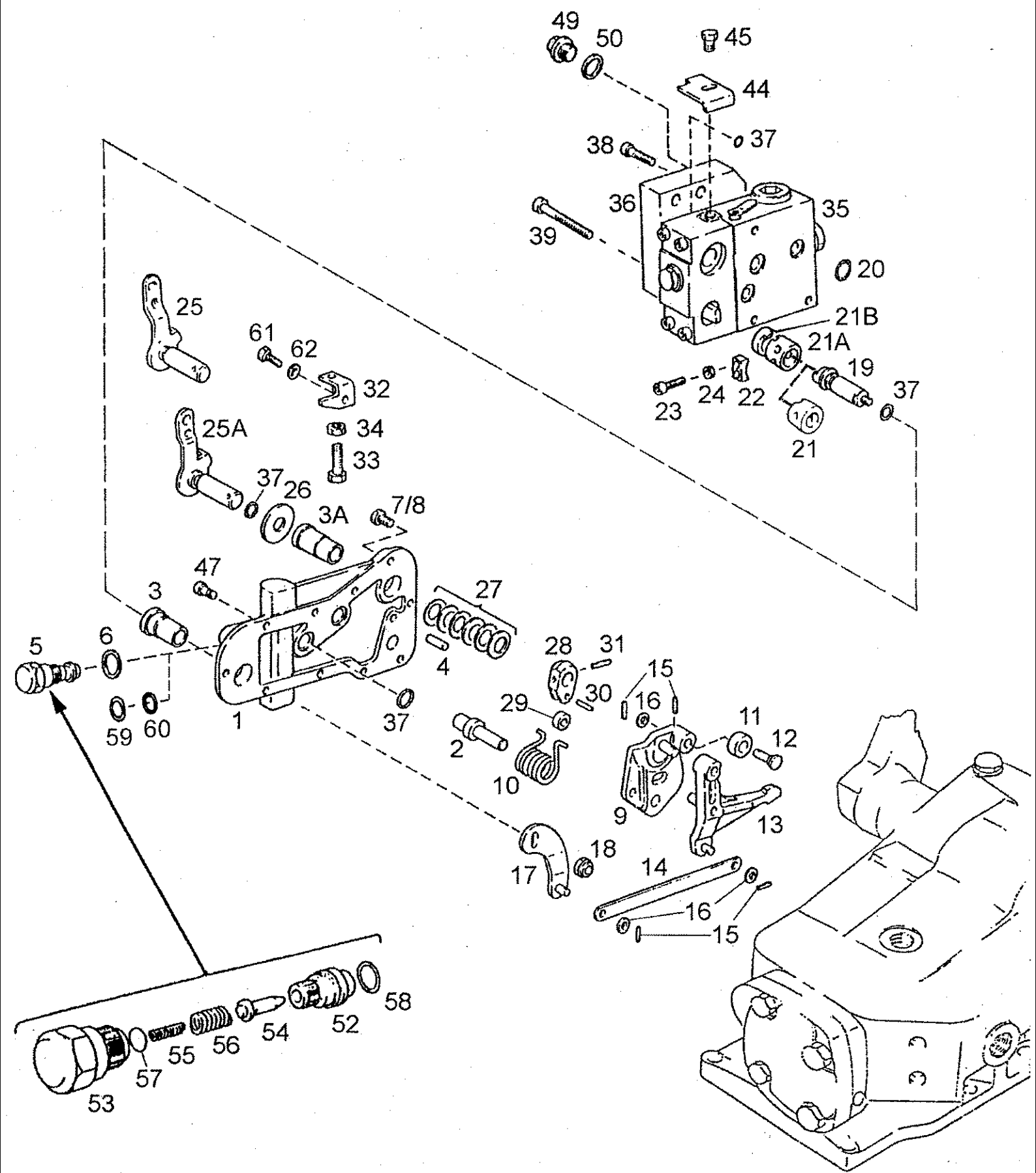


## 08-01(01) HYDRAULIC LIFT UNIT WITH TOP LINK

Ref	Onderdeelnummer	Kwt	Beschrijving
	1-32-273-230	1	HEFINRICHTING, HYDRAULISC, , Besteht aus/Consists of/Compose de/Bestående af/È composto da 1 - 138
1	135700733010	1	HUIS, , Einschließlich/Includes/Avec/Inklusive/Compreso 2
2	137700730049	1	ELLEBOOG,
3	190003962038	1	PLUG, Hex Wash Hd, M22 x 1.5, , A-M22x1,5
4	190003098026	2	DICHTINGSRING, , A22x27-CU
6	1288270005	1	O-RING, , 78x2-NBR-70
7	1397750110	1	O-RING, , 16,3x2,4
9	153700733018	1	LAGERBUS,
10	1288730066	1	ZUIGER,
11	135700730039	1	RING, PACKING,
12	135700733001	1	COVER,
13	190003962029	1	SCHROEF, , A-M16x1,5
13A	190003098016	1	DICHTINGSRING, , A16x20-CU
14	135700730037	1	O-RING,
15	190003800733	4	SCHROEF, , M14X 55-10.9-A3C
16	190003931162	4	BORGRING, , A14
17	1390730098	1	DRIJSTANG/ZUIGERPAKKING,
18	1288730057	1	HEFBOOM,
19	1288730009	1	PIN, LARGE,
20	190003933141	2	SLUITRING, , 28x1,5
21	1288730153	1	NOK,
24	1288730058	1	AS,
25	135700733008	4	LAGERBUS,
26	1288730007	2	LAGERBUS,
27	1288730005	2	SCHIJF,
28	190003070036	2	DICHTINGSSTUK, , 55x70x8
31	190003933428	2	RING, SNAP, , 55x2
32	133700733006	1	COVER, , Einschließlich/Includes/Avec/Inklusive/Compreso 35
33	1288730232	1	LAGERBUS,
35	190003901507	2	PEN, , 10m6x16
36	190003803639	9	SCHROEF, , M12x1,5x40-8.8-A3C
37	190003803662	1	SCHROEF, , M12x1,5x100-8.8-A3C
38	135700730038	2	O-RING, , 20,2x3-FPM-80
39	1288730149	1	STANG,
40	1288730072	1	SCHIJF,
41	135700730040	1	VEER,
42	135700730041	1	OPVULPIJP,
43	1288730071	1	SCHIJF,
44	1292730203	2	LAGER, CUP,
45	1288730129	1	VEERRING,

## 08-01(01) HYDRAULIC LIFT UNIT WITH TOP LINK

Ref	Onderdeelnummer	Kwt	Beschrijving
46	153700733017	1	HOUDER,
47	1290730037	1	PIN, LARGE,
48	190003909630	4	SPANSTIFT, , 6X32
49	1288350094	1	VERWISSELBAAR RISTERVOORS,
55	190003963115	2	SMEERNIPPEL, , CM8x1
80	1290730035	1	PIN, LARGE,
96	190003961309	1	SCHROEF, , M22x1,5
97	190003098026	1	DICHTINGSRING, , A22x27-CU
100	9706704	2	BOUW, Hex, M10 x 35, 8.8, Full Thd, , M10x35-8.8
101	REF	-	INSTRUCTION, , Siehe nächste Seite(n)/See next page(s)/Voir page(s) suivante(s)/Se næste side (r )/Vedere pagin(a/e) seguent(e/i)
102	REF	-	INSTRUCTION, , Siehe nächste Seite(n)/See next page(s)/Voir page(s) suivante(s)/Se næste side (r )/Vedere pagin(a/e) seguent(e/i)
112	135700730003	1	HEFARM, , Links/Left/Gauche/Venstre/Sinistro
114	135700730081	1	HEFARM, , Rechts/Right/Droit/Højre/Destra
126	133700730026	1	FITTING,
127	190003098071	2	DICHTINGSRING, , A33x39-CU
130	133700730020	2	SCHROEF,
131	135700730065	1	SCHROEF,
132	190003171877	1	PLUG, , A10,4x5,5
133	190003813532	10	TAPEIND, , M10X30-8.8-A3
134	100016	10	MOER, M10, CI 8,
136	133700730095	1	FILTER, HYDRAULISCHE OLIE,
137	133700733020	1	PEILSTANG,
138	190003098086	1	DICHTINGSRING, , A30x36-CU



## 08-02(01) COVER,SIDE AND CONTROL VALVE, RIGHT

Ref	Onderdeelnummer	Kwt	Beschrijving
1	133700730060	1	DEKSEL, , Einschließlich/Includes/Avec/Inklusive/Compreso 2 - 4
2	1288730211	1	PIN, LARGE,
3	1288730147	1	LAGERBUS,
3A	135700730201	1	LAGERBUS,
4	190003901424	1	PEN, , 8M6x24-ST
5	133700730176	1	VALVE, , Besteht aus/Consists of/Compose de/Bestående af/È composto da 52 - 58
6	190003098026	1	DICHTINGSRING, , A22x27-CU
7	120104	8	BOUT, Hex, M8 x 20, 8.8,
8	43127	1	BOUT, Hex, M8 x 25, 8.8,
9	1292730122	1	HEFBOOM,
10	1288730175	1	VEER,
11	1288730100	1	ZWENKWIEL,
12	1288730202	1	PIN, LARGE,
13	1288730386	1	TUIMELAARSTANG,
14	1288730212	1	STANG,
15	190003909606	4	SPLITPEN, , 3x18
16	190003930261	3	SLUITRING, , A8,4
17	1288730158	1	HEFBOOM,
18	190003888451	1	MOER, , VM8-8
19	1288730182	1	PIN, LARGE,
20	1397750113	1	O-RING,
21	133700730058	1	CONNECTOR, , ----> . . . .
21A	153700733015	1	CONNECTOR, , . . . . ---->
21B	153700733016	1	AANDRIJFKLAUW, , . . . . ---->
22	133700730059	1	AFSTANDSRING,
23	133700730074	2	SCHROEF, , M6x30-10,9-A2C
24	15896221	2	MOER, M6, CI 10, , M6-8-A2C, DIN934
25	1397730205	1	HEFBOOM, , ----> . . . .
25A	155700733095	1	HEFBOOM, , . . . . ---->
26	1288730126	1	FRICTIERING,
27	190003220002	6	SPRING, BELLEVILLE, , C31,5GR1
28	1292730124	1	HEFBOOM,
29	1288730053	1	ZWENKWIEL,
30	190003901212	1	PEN, , 5M6X12-ST
31	190003909620	1	SPANSTIFT, , 5X24
32	1288730124	1	STOPAPPARAAT,
33	15213321	1	BOUT, Hex, M8 x 35, 8.8,
34	43362	2	MOER, M8, CI 10,
35	1397730222	1	KONTROLEKLEP, , Siehe nächste Seite(n)/See next page(s)/Voir page(s) suivante(s)/Se næste side (r )/Vedere pagin(a/e) sequent(e/i)
36	155700733044	1	DEKSEL, , Einschließlich/Includes/Avec/Inklusive/Compreso 49, 50

## 08-02(01) COVER,SIDE AND CONTROL VALVE, RIGHT

Ref	Onderdeelnummer	Kwt	Beschrijving
37	1397750110	5	O-RING, , 16,3x2,4-DR150H
38	86531615	2	SCHROEF, Hex Soc Hd, M6 x 20, 8.8, , M6x20-8.8
39	190003800023	3	SCHROEF, , M8x90-8.8
44	1397730055	1	STOOTSTUK,
45	336199	1	BOUT, Hex, M8 x 12, 8.8, Full Thd, , M8x12-8.8
47	190003862427	1	SCHROEF, , M8x20-8.8
49	190003962030	1	PLUG, Hex Wash Hd, M18 x 1.5, , A-M18x1,5
50	190003098020	1	DICHTINGSRING, , A18x22-CU
51	153700733016	1	AANDRIJFKLAUW,
52	133700730149	1	SEAT, VALVE,
53	133700730148	1	SCHROEF,
54	133700730150	1	ZUIGER,
55	133700730159	1	VEER,
56	133700730158	1	VEER,
57	133700730157	1	SCHIJF,
58	133700730177	1	RING, PACKING,
59	133700730702	1	RESERVERING,
60	133700730701	1	O-RING,
61	43127	1	BOUT, Hex, M8 x 25, 8.8,
62	190003931102	1	BORGRING, , A8



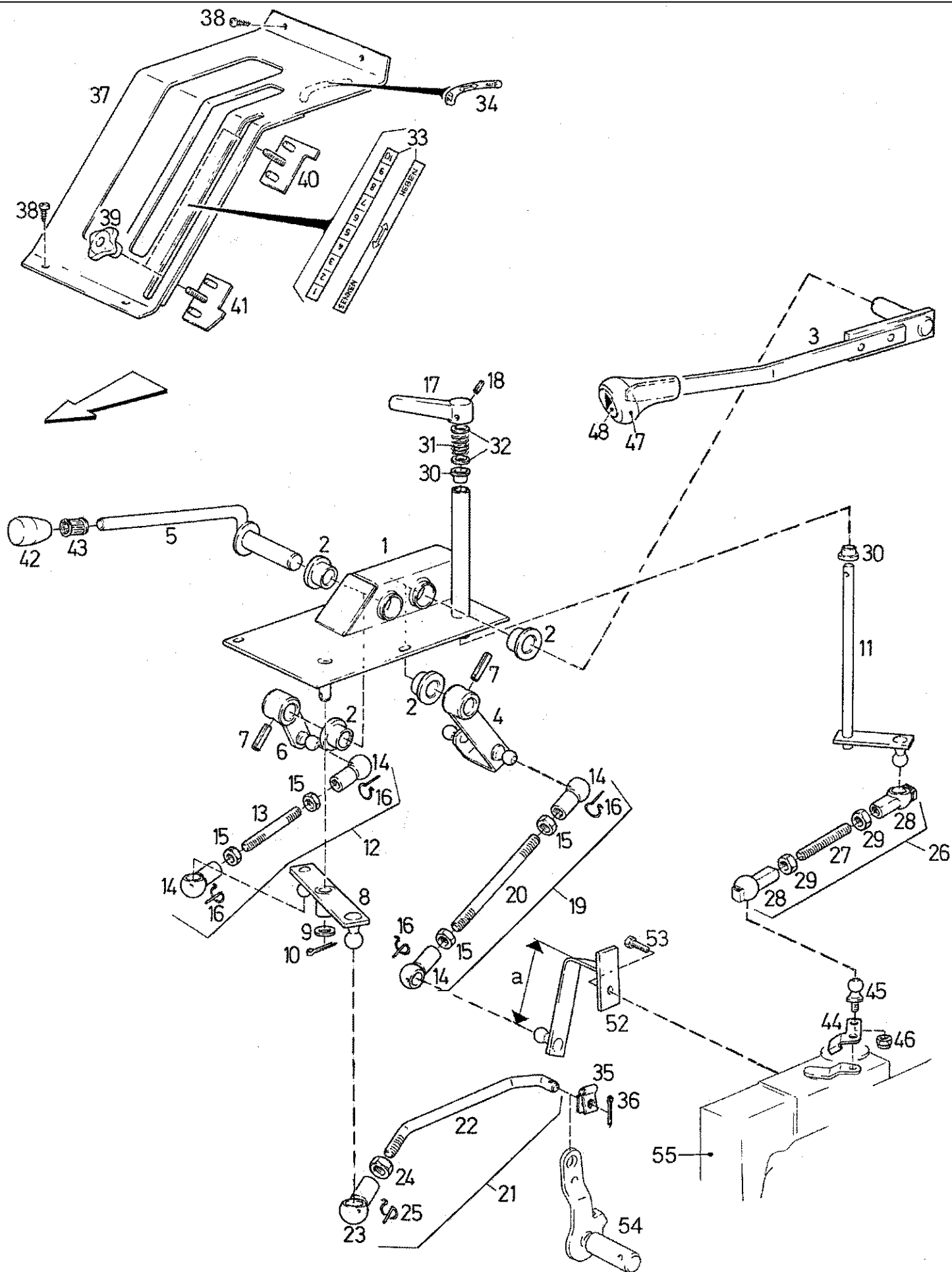
## 08-03(01) CONTROL VALVE RIGHT, DISASSEMBLED

Ref	Onderdeelnummer	Kwt	Beschrijving
	1397730222	1	KONTROLEKLEP, , Besteht aus/Consists of/Compose de/Bestående af/È composto da 1 - 118
1	NSS	-	NIET ALLEEN VERKRIJGBAAR,
3	NSS	-	NIET ALLEEN VERKRIJGBAAR,
4	1397730728	1	SCHROEF,
6	190003909605	1	SPANSTIFT, , 3x16
7	NSS	-	NIET ALLEEN VERKRIJGBAAR,
8	1397730729	1	VEER,
9	NSS	-	NIET ALLEEN VERKRIJGBAAR,
10	190003900067	1	SPANSTIFT, , 4M6x18-ST
11	1397731025	1	AS,
12	1397730732	1	LEVER, CONTROL,
14	NSS	-	NIET ALLEEN VERKRIJGBAAR,
15	NSS	-	NIET ALLEEN VERKRIJGBAAR,
16	1397730733	1	PIN, LARGE,
17	1397730734	1	CUP, SPRING,
19	1397730735	1	SPRING, COMPRESSION,
23	190003860183	4	SCHROEF, , M8x65-10.9
25	905852R1	1	MOER, Thin, M8 x 1.25, CI 04, LH, , BM8
28	1397730736	1	VALVE,
30	1397730737	1	SPRING, COMPRESSION,
31	NSS	-	NIET ALLEEN VERKRIJGBAAR,
32	1397730738	1	PERNO DE ARADO,
33	1288730736	X	DIKTEPLAAT, , 0,25mm
33	1188730709	X	DIKTEPLAAT, , 0,50mm
33	1397730724	X	DIKTEPLAAT, , 2,50mm
37	1397730739	1	EXCENTRIEK,
38	1288730705	1	PLUG,
39	190003902631	1	SCHROEF, , M8x16-45H
40	1397730740	1	SPRING, COMPRESSION,
41	1397730741	1	SCHROEF,
43	1397730742	1	WASHER, RUBBER,
46	1397730743	1	SLUITRING,
47	NSS	-	NIET ALLEEN VERKRIJGBAAR,
48	NSS	1	NIET ALLEEN VERKRIJGBAAR,
49	NSS	1	NIET ALLEEN VERKRIJGBAAR,
50	1397730745	1	SPRING, COMPRESSION,
51	1397730746	1	POPPET, VALVE,
55	190003936214	1	SLUITRING, , 14
56	1397730747	1	SEAT, SPRING,
57	1397730748	1	SPRING, COMPRESSION,
58	NSS	-	NIET ALLEEN VERKRIJGBAAR,



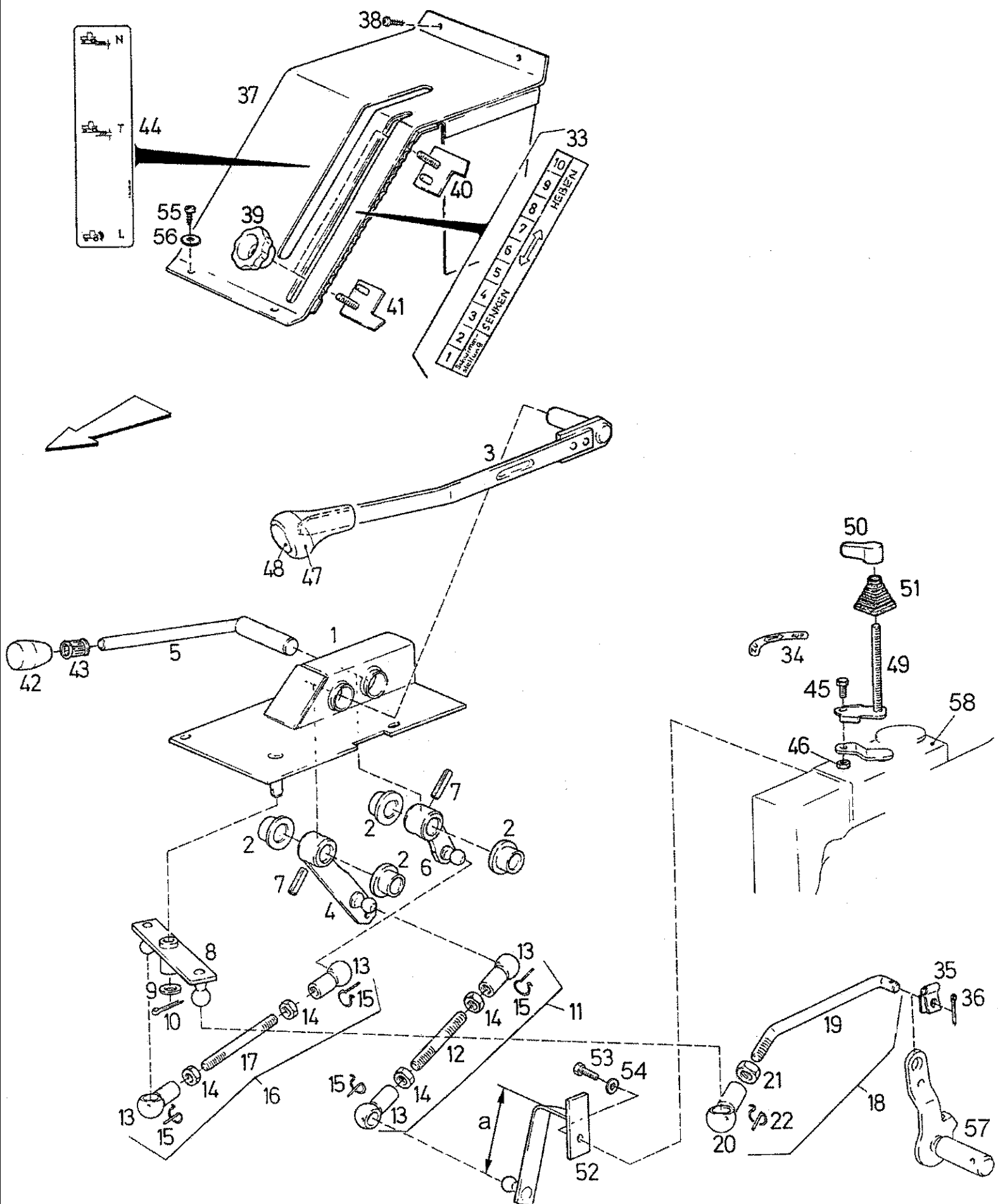
## 08-03(01) CONTROL VALVE RIGHT, DISASSEMBLED

Ref	Onderdeelnummer	Kwt	Beschrijving
58A	NSS	-	NIET ALLEEN VERKRIJGBAAR,
59	NSS	-	NIET ALLEEN VERKRIJGBAAR,
59A	NSS	-	NIET ALLEEN VERKRIJGBAAR,
60	NSS	-	NIET ALLEEN VERKRIJGBAAR,
60A	NSS	-	NIET ALLEEN VERKRIJGBAAR,
62	1397730726	2	PLUG, , M10x1,5
66	1397730766	6	O-RING,
67	NSS	-	NIET ALLEEN VERKRIJGBAAR,
68	1397730750	1	SCHUIFSTUK, , Ø9 f7, Ø9F7
68A	1397730793	1	SPOEL, , Ø9,2 f7, Ø9,2F7
69	1397730751	1	SLUITRING,
70	1397730752	1	VIJZELSCHROEF,
74	NSS	-	NIET ALLEEN VERKRIJGBAAR,
79	1288730744	5	SPRING, BELLEVILLE,
80	1190730727	X	SCHIJF, , 0,30mm
80	1288730745	X	SCHIJF, , 1,00mm
81	1288730746	1	CUP, SPRING,
82	1288730748	1	SCHIJF,
83	190003934175	1	RING, SNAP, , 35x1,5
84	NSS	-	NIET ALLEEN VERKRIJGBAAR,
85	NSS	-	NIET ALLEEN VERKRIJGBAAR,
92	1288730752	1	PEN,
93	1397730753	1	AANDRIJFKLAUW,
94	NSS	-	NIET ALLEEN VERKRIJGBAAR,
95	1288730750	1	AS,
96	1397730754	1	BOORGVEER,
97	NSS	-	NIET ALLEEN VERKRIJGBAAR,
98	1190730729	1	SCHIJF,
104	190003098020	1	DICHTINGSRING, , A18x22-CU
105	1397730755	1	SCHROEF,
114	190003098026	1	DICHTINGSRING, , A22x27-CU
115	190003962038	1	PLUG, Hex Wash Hd, M22 x 1.5, , A-M22x1,5
118	1397730770	6	RESERVERING,
800	1397730709	1	KIT, GASKET, , Einschließlich/Includes/Avec/Inklusive/Compreso 3, 7, 31, 47, 49, 66, 67, 74, 84, 85, 94, 118
801	1397731016	1	KIT, GASKET, , Einschließlich/Includes/Avec/Inklusive/Compreso 58, 59, 60
802	1397731018	1	KIT, GASKET, , Einschließlich/Includes/Avec/Inklusive/Compreso 58A, 59A, 60A



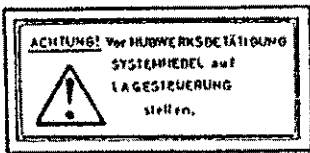
Ref	Onderdeelnummer	Kwt	Beschrijving
	133700732460	1	THREADED ROD, , Besteht aus/Consists of/Compose de/Bestående af/È composto da 1 - 32
1	133700732415	1	GUIDE, LEVERS, KONSOLE
2	1-34-544-408	4	LAGERBUS,
3	133700732411	1	HEFBOOM,
4	133700732424	1	HEBEL
5	133700732428	1	HEFBOOM,
6	133700732426	1	HEBEL
7	190003909650	2	SPANSTIFT, , 6x26
8	133700732431	1	HEBEL
9	190003930271	1	SCHIJF, , A10,5-140HV-A3C
10	190003920121	1	SPLITPEN, , 2x14
11	133700732457	1	HEFBOOM,
12	133700732432	1	GEWINDESTANGE, L = 100mm; Besteht aus/Consists of/Compose de/Bestående af/È composto da 13 - 16
13	133700732433	1	GEWINDESTANGE, L = 68mm
14	190003963623	2	KOGELGEWRICHT, , B13
15	43362	2	MOER, M8, CI 10, BM8-05.
16	190003936514	2	SCHARNIER, , S13
17	1397730104	1	HEFBOOM,
18	190003909607	1	SPANSTIFT, , 3X20
19	133700732407	1	VERBINDUNGSSTANGE, L = 159mm; Besteht aus/Consists of/Compose de/Bestående af/È composto da 14 - 16, 20
20	133700732408	1	GEWINDESTANGE, L = 128mm
21	133700732434	1	VERBINDUNGSSTANGE, L = 199mm; Besteht aus/Consists of/Compose de/Bestående af/È composto da 22 - 25
22	133700732435	1	GEWINDESTANGE
23	190003963626	1	CUP, BALL, , B16-A3C
24	190003870077	1	MOER, , BM10-05-A3C
25	190003936519	1	BAIL, , S16-A3C
26	33700732458	1	VERBINDUNGSSTANGE, L = 90mm; Besteht aus/Consists of/Compose de/Bestående af/È composto da 27 - 29
27	133700732459	1	GEWINDESTANGE, L = 57mm
28	133700732291	2	KOGELGEWRICHT,
29	190003870218	2	MOER, , AM6
30	1-34-643-057	2	LAGERBUS,
31	1397750165	1	SPRING, COMPRESSION,
32	190003930261	2	SLUITRING, , A8,4
33	133700732501	1	LIJM,
34	133700732502	1	LIJM,
35	1397750128	1	VEER,
36	190003920121	1	SPLITPEN, , 2x14

Ref	Onderdeelnummer	Kwt	Beschrijving
37	133700732496	1	COVER, PROTECTIVE,
38	190003840014	4	SCHROEF, , ST4,2X13-K-A3C
39	1397730128	2	HENDEL,
40	133700732498	1	STOOTSTUK,
41	133700732499	1	STOOTSTUK,
42	1288730225	1	GRIP,
43	1288730233	1	LAGERBUS,
44	133700732290	1	HEFBOOM,
45	190003963313	1	KOGELHOUDER, , C10
46	190003888608	1	MOER, , VM6-8
47	1-34-644-863	1	GRIP,
48	1-34-644-084	1	SYMBOLLEN,
49	15896221	1	MOER, M6, CI 10, , M6-8-A2C, DIN934
50	86977726	1	BOUT, Hex, M6 x 12, 8.8,
52	133700732405	1	KRUKARM, HEBEL, a=82mm
53	86977726	1	BOUT, Hex, M6 x 12, 8.8,
54	REF	-	INSTRUCTION, , Lever, Siehe Seite(n) vorne/See Page(s) before/Voir Page(s) avant/Se side (r ) forrest/Vedere pagin(a/e) precedent(e/i)
55	REF	-	INSTRUCTION, , Valve, Control, Siehe Seite(n) vorne/See Page(s) before/Voir Page(s) avant/Se side (r ) forrest/Vedere pagin(a/e) precedent(e/i)



Ref	Onderdeelnummer	Kwt	Beschrijving
	133700732530	1	THREADED ROD, , Besteht aus/Consists of/Compose de/Bestående af/È composto da 1 - 22
1	133700732535	1	GUIDE, LEVERS,
2	1-34-544-408	4	LAGERBUS,
3	133700732546	1	HEFBOOM,
4	133700732552	1	TUIMELAARSTANG,
5	133700732549	1	HEFBOOM,
6	133700732554	1	TUIMELAARSTANG,
7	190003909650	2	SPANSTIFT, , 6x26
8	133700732556	1	TUIMELAARSTANG,
9	190003930271	1	SCHIJF, , A10,5-140HV-A3C
10	190003920121	1	SPLITPEN, , 2x14
11	133700732558	1	SCHROEFSTANG, , L = 112mm; Besteht aus/Consists of/Compose de/Bestående af/È composto da 12 - 15
12	133700732559	1	SCHROEFSTANG, , L = 75mm
13	190003963623	2	KOGELGEWRIGHT, , B13
14	43362	2	MOER, M8, CI 10, BM8-05.
15	190003936514	2	SCHARNIER, , S13
16	133700732560	1	SCHROEFSTANG, , L = 140mm; Besteht aus/Consists of/Compose de/Bestående af/È composto da 13 - 15, 17
17	133700732561	1	SCHROEFSTANG, , L = 105mm
18	133700732562	1	SCHROEFSTANG, , L = 197mm; Besteht aus/Consists of/Compose de/Bestående af/È composto da 19 - 22
19	133700732563	1	SCHROEFSTANG,
20	190003963626	1	CUP, BALL, , B16-A3C
21	190003870077	1	MOER, , BM10-05-A3C
22	190003936519	1	BAIL, , S16-A3C
33	133700732580	1	LIJM,
34	1-32-173-066	1	DECAL, , Deutsch/German/Allemand/Tysk/Tedesco
34	1-32-173-094	1	DECAL, , Englisch/English/Anglais/Engelsk/Inglese
35	1397750128	1	VEER,
36	190003920121	1	SPLITPEN, , 2x14
37	133700732575	1	COVER, PROTECTIVE,
38	190003840014	4	SCHROEF, , ST4,2x13-K-A3C
39	1290730013	2	MOER,
40	133700732587	1	STOOTSTUK,
41	133700732588	1	STOOTSTUK,
42	1288730225	1	GRIP,
43	1288730233	1	LAGERBUS,
44	1-34-577-406	1	DECAL,
45	15896221	1	MOER, M6, CI 10, , M6-8-A2C, DIN934
46	86977726	1	BOUT, Hex, M6 x 12, 8.8,

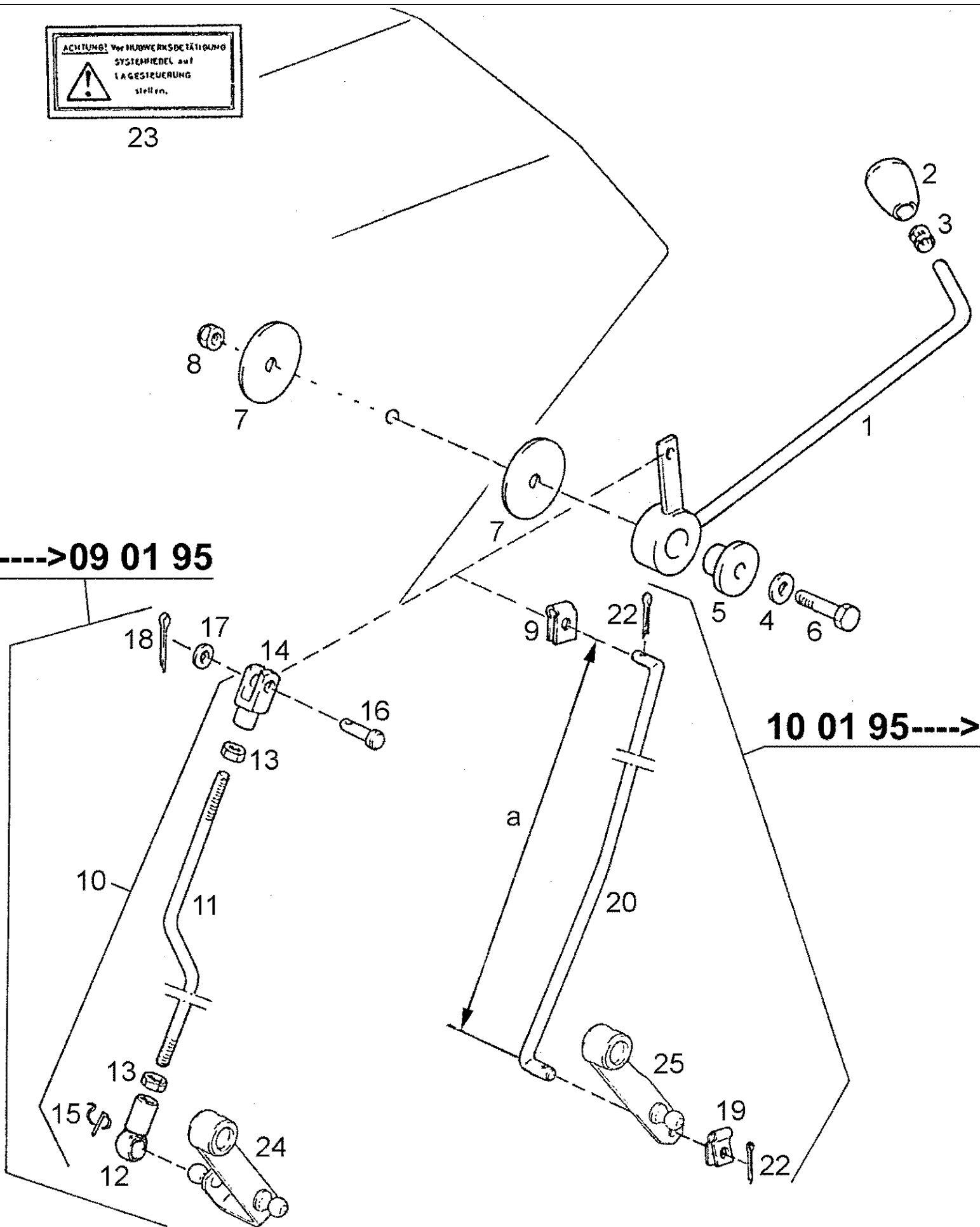
Ref	Onderdeelnummer	Kwt	Beschrijving
47	1-34-644-863	1	GRIP,
48	1-34-644-084	1	SYMBOLLEN,
49	133700732543	1	SLIDE, CONTROL,
50	133700732567	1	HENDEL,
51	133700732542	1	BLAASBALG,
52	133700732532	1	HOEKSTUK, , a = 92mm
53	86977726	1	BOUT, Hex, M6 x 12, 8.8,
54	190003931082	1	SLUITRING, , A6
55	86508568	3	BOUT, Hex, M6 x 16, 8.8,
56	190003936101	3	SLUITRING, , 6,4-140HV-A3C
57	REF	-	INSTRUCTION, , Siehe Seite(n) vorne/See Page(s) before/Voir Page(s) avant/Se side (r ) forrest/Vedere pagin(a/e) precedent(e/i)
58	REF	-	INSTRUCTION, , Siehe Seite(n) vorne/See Page(s) before/Voir Page(s) avant/Se side (r ) forrest/Vedere pagin(a/e) precedent(e/i)



23

---->09 01 95

10 01 95---->





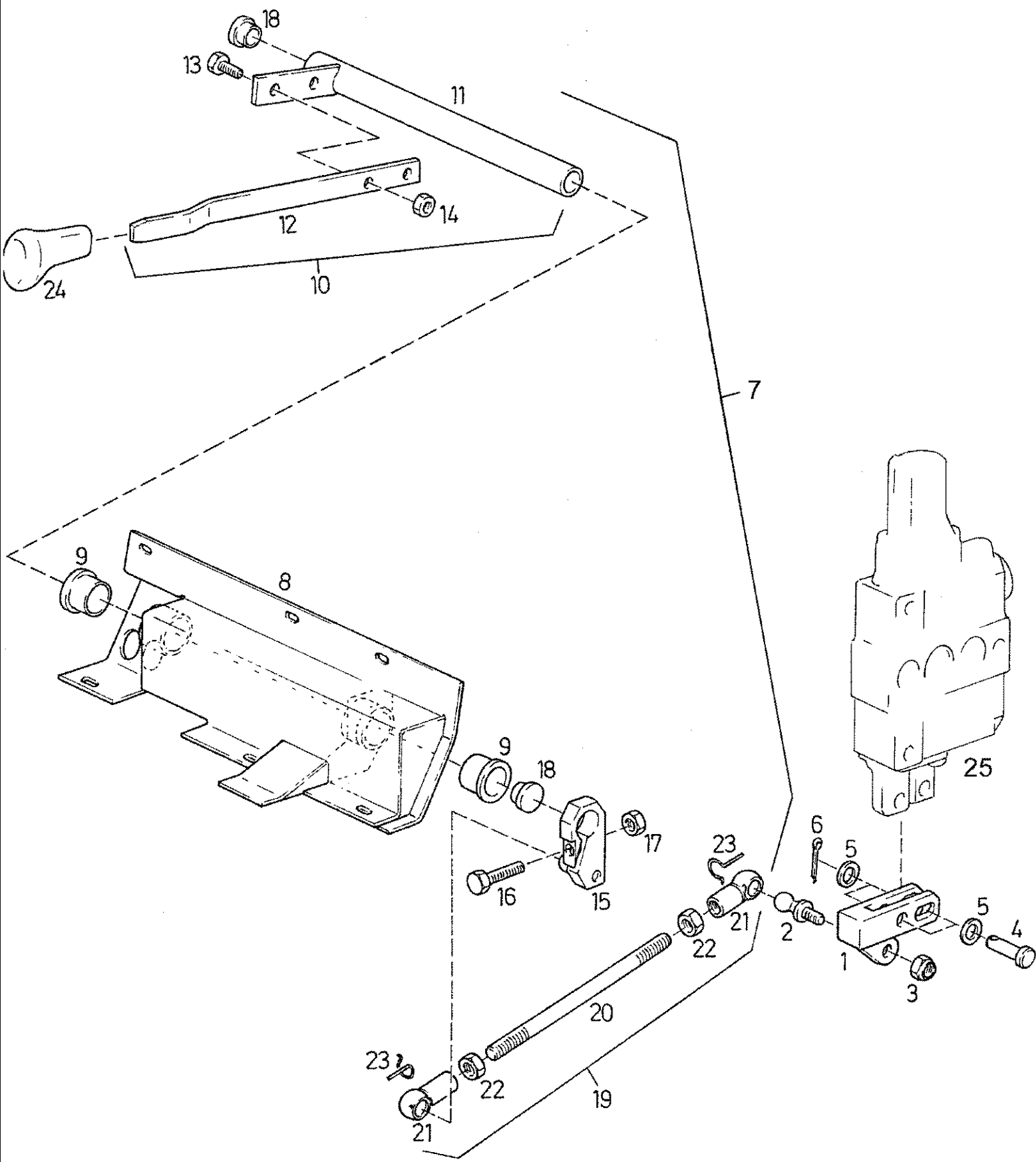
## 08-06(01) CONTROL VALVE - ACTUATING, REAR

Ref	Onderdeelnummer	Kwt	Beschrijving
1	133700732324	1	LEVER, CONTROL,
2	1288730229	1	GRIP,
3	1288730233	1	LAGERBUS,
4	190003936103	1	SLUITRING, , 8,4-140HV-A3C-DIN9021
5	133700732586	1	LAGERBUS,
6	190003802447	1	SCHROEF, , M8x45-8.8
7	131700730252	2	SLUITRING,
8	190003888451	1	MOER, , VM8-8
9	1397750128	2	VEER,
10	133700732482	1	REGBARE STANG, VERBINDUNGSSTANGE, ---->. . . . / Besteht aus/Consists of/Compose de/Bestående af/È composto da 11 - 15
11	133700732483	1	GEWINDESTANGE
12	190003963623	1	KOGELGEWRIGHT, , B13
13	43362	1	MOER, M8, CI 10, BM8-05.
14	190003964418	1	GAFFEL, , G8x16
15	190003936514	1	SCHARNIER, , S13
16	190003903133	1	PIN, LARGE, , 8H11x22x19
17	190003935007	1	SCHIJF, , 8mm
18	190003920121	1	SPLITPEN, , 2x14
20	133700732574	1	STANG, , L = 560mm / . . . .---->
20	1-32-273-111	1	SECTOR, , L = 430mm; Mit Hopfenkabine/With Hops cab/Avec Cabine à houblon/Med Humlekabine/Con Cabina da luppolo
22	190003920221	2	SPLITPEN, , 3,2x18
23	1397730204	1	DECAL,
24	REF	-	INSTRUCTION, , Siehe Seite(n) vorne/See Page(s) before/Voir Page(s) avant/Se side (r ) forrest/Vedere pagin(a/e) precedent(e/i)
25	REF	-	INSTRUCTION, , Siehe Seite(n) vorne/See Page(s) before/Voir Page(s) avant/Se side (r ) forrest/Vedere pagin(a/e) precedent(e/i)

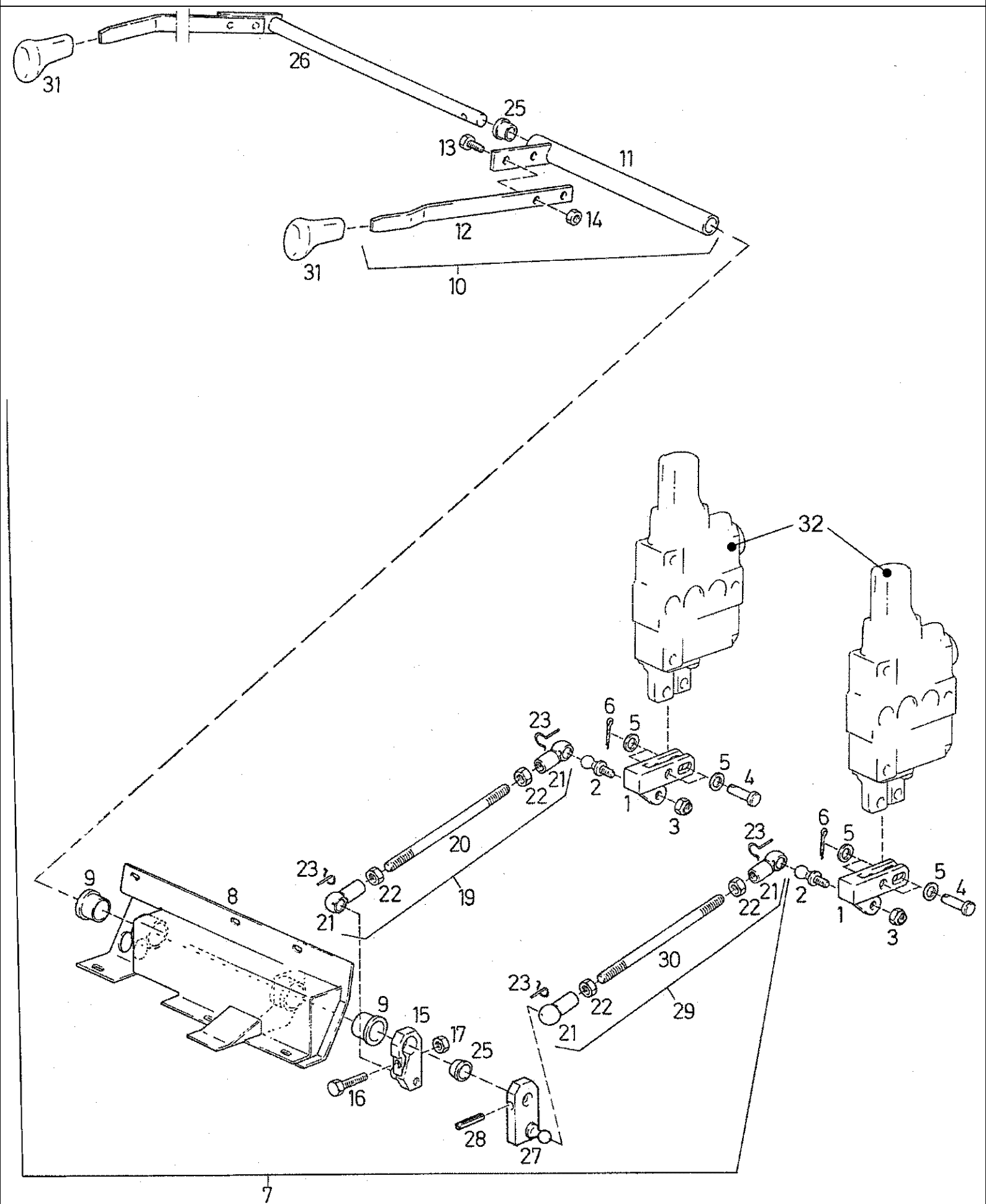


## 08-07(01) CONTROL VALVE - ACTUATING, REAR

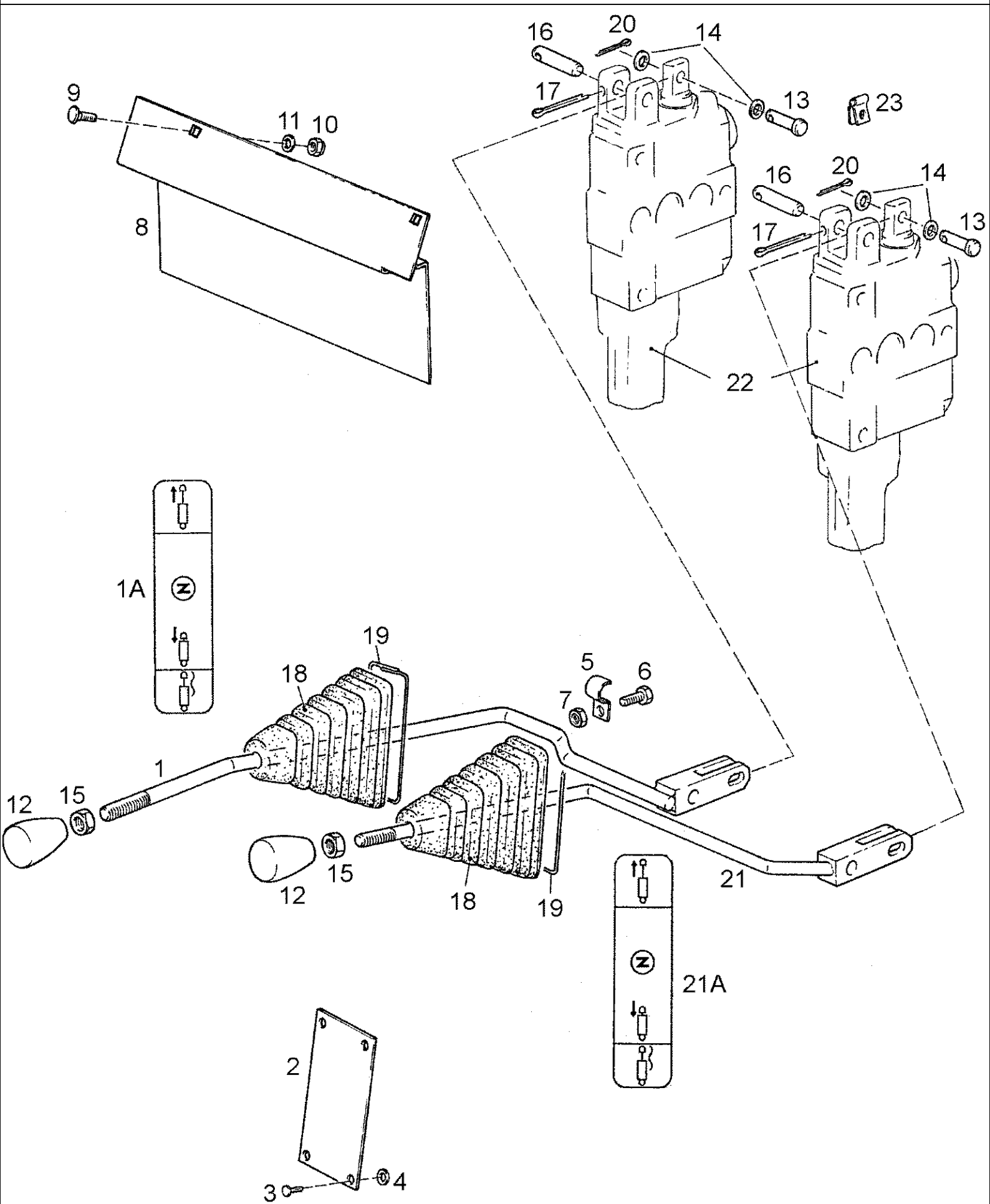
Ref	Onderdeelnummer	Kwt	Beschrijving
1	1-34-544-621	1	REMOTE CONTROL, , Einschließlich/Includes/Avec/Inklusive/Compreso 1A, 11 - 13
1A	1-34-744-012	1	ROPE, METAL,
2	1-34-544-328	1	HOEKSTUK,
3	43127	1	BOUT, Hex, M8 x 25, 8.8,
4	43362	1	MOER, M8, CI 10,
5	1-34-544-331	1	GUIDE, LEVERS,
6	1-34-643-110	2	LAGERBUS, , Ø 12,15
7	1-34-544-334	1	LAGER,KOPPELING DRUKPLAA,
8	190003900388	1	PIN, LARGE, , 12H11x95x90
9	1-34-544-329	1	STANG,
10	190003920221	3	SPLITPEN, , 3,2x18
11	190003964423	1	GAFFEL, , G8x32
12	133700290129	1	PIN, LARGE, , 8x32
13	825-1405	1	MOER, M5, CI 8,
14	190003860204	2	SCHROEF, , M6x40-8.8
15	190003936101	4	SLUITRING, , 6,4-140HV-A3C
16	15896221	2	MOER, M6, CI 10, , M6-8-A2C, DIN934
17	REF	-	INSTRUCTION, , Siehe Kapitel 09A/See Chapter 09A/Voir Chapitre 09A/Se kapitel 09A/Vedere capitolo 09A
19	1-34-544-303	1	LEVER, CONTROL,
20	190003909661	1	SPANSTIFT, , 6x24



Ref	Onderdeelnummer	Kwt	Beschrijving
1	131700730257	1	HOEKSTUK,
2	190003963316	1	KOGELGEWRIGHT, , C13
3	190003888451	1	MOER, , VM8-8
4	190003903628	2	PEN, , 8H11x28x25-ST-A3C
5	190003930261	4	SLUITRING, , A8,4
6	190003920121	2	SPLITPEN, , 2x14
7	133700732461	1	KONTROLEKLEP, , Besteht aus/Consists of/Compose de/Bestående af/È composto da 8 - 32
8	133700732436	1	KONSOLE
9	133700732443	2	BUCHSE
10	133700732450	1	HEBEL, Besteht aus/Consists of/Compose de/Bestående af/È composto da 11 - 14
11	133700732444	1	UMLENKHEBEL
12	133700732451	1	HEBEL
13	86508568	2/3	BOUT, Hex, M6 x 16, 8.8,
14	15896221	2/3	MOER, M6, CI 10, , M6-8-A2C, DIN934
15	133700732454	1	KLEMMTEIL
16	15213321	1	BOUT, Hex, M8 x 35, 8.8,
17	43362	1	MOER, M8, CI 10,
18	190003179432	2	PLUG, , A16,7x5,5
19	133700732468	1	STANG, , Besteht aus/Consists of/Compose de/Bestående af/È composto da 20 - 23
20	133700732469	1	GEWINDESTANGE
21	190003963623	2	KOGELGEWRIGHT, , B13
22	43362	2	MOER, M8, CI 10, BM8-05.
23	190003936514	1	SCHARNIER, , S13
24	133700730465	1	GRIP,
25	REF	-	INSTRUCTION, , Siehe nächste Seite(n)/See next page(s)/Voir page(s) suivante(s)/Se næste side (r )/Vedere pagin(a/e) sequent(e/i)

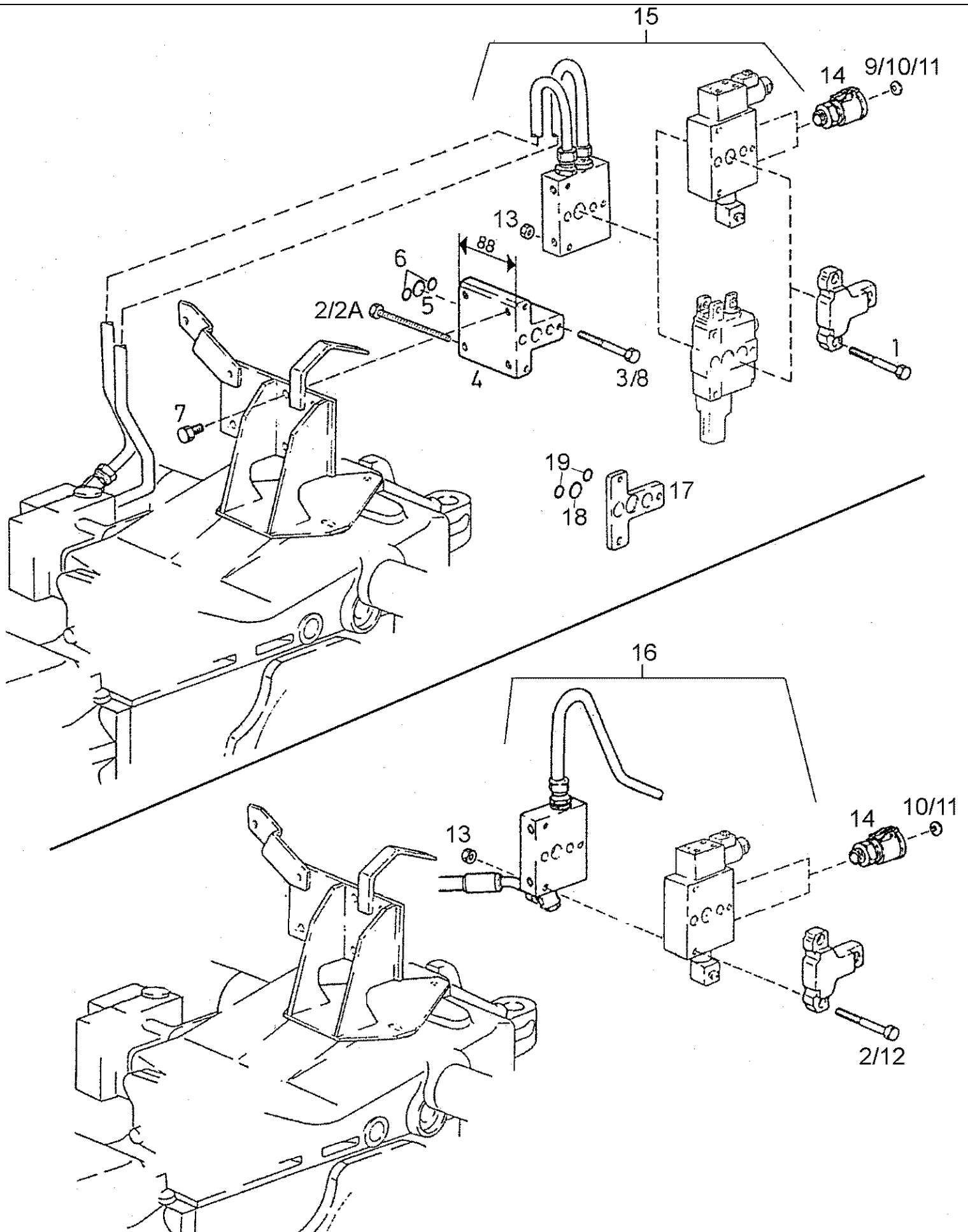


Ref	Onderdeelnummer	Kwt	Beschrijving
1	131700730257	2	HOEKSTUK,
2	190003963316	2	KOGELGEWRIGHT, , C13
3	190003888451	2	MOER, , VM8-8
4	190003903628	4	PEN, , 8H11x28x25-ST-A3C
5	190003930261	8/6	SLUITRING, , A8,4
6	190003920121	4	SPLITPEN, , 2x14
7	133700732461	1	KONTROLEKLEP, , Besteht aus/Consists of/Compose de/Bestående af/È composto da 8 - 30
8	133700732436	1	KONSOLE
9	133700732443	2	BUCHSE
10	133700732450	1	HEBEL, Besteht aus/Consists of/Compose de/Bestående af/È composto da 11 - 14
11	133700732444	1	UMLENKHEBEL
12	133700732451	1	HEBEL
13	86508568	2/3	BOUT, Hex, M6 x 16, 8.8,
14	15896221	2/3	MOER, M6, CI 10, , M6-8-A2C, DIN934
15	133700732454	1	HALTERUNG
16	15213321	1	BOUT, Hex, M8 x 35, 8.8,
17	43362	1	MOER, M8, CI 10,
19	133700732468	1	STANG, , Besteht aus/Consists of/Compose de/Bestående af/È composto da 20 - 23
20	133700732469	1	GEWINDESTANGE
21	190003963623	2/2	KOGELGEWRIGHT, , B13
22	43362	2/2	MOER, M8, CI 10, BM8-05.
23	190003936514	1/1	SCHARNIER, , S13
25	1-34-643-110	2	LAGERBUS, , Ø 12,15
26	133700732452	1	HEFBOOM,
27	133700732489	1	COVER, PROTECTIVE,
28	190003909658	1	SPANSTIFT, , 5x30
29	133700732456	1	STANG,
30	133700732467	1	NO DESCRIPTION, GEWINDESTANGE
31	133700730465	1	GRIP,
32	REF	-	INSTRUCTION, , Siehe nächste Seite(n)/See next page(s)/Voir page(s) suivante(s)/Se næste side (r )/Vedere pagin(a/e) sequent(e/i)



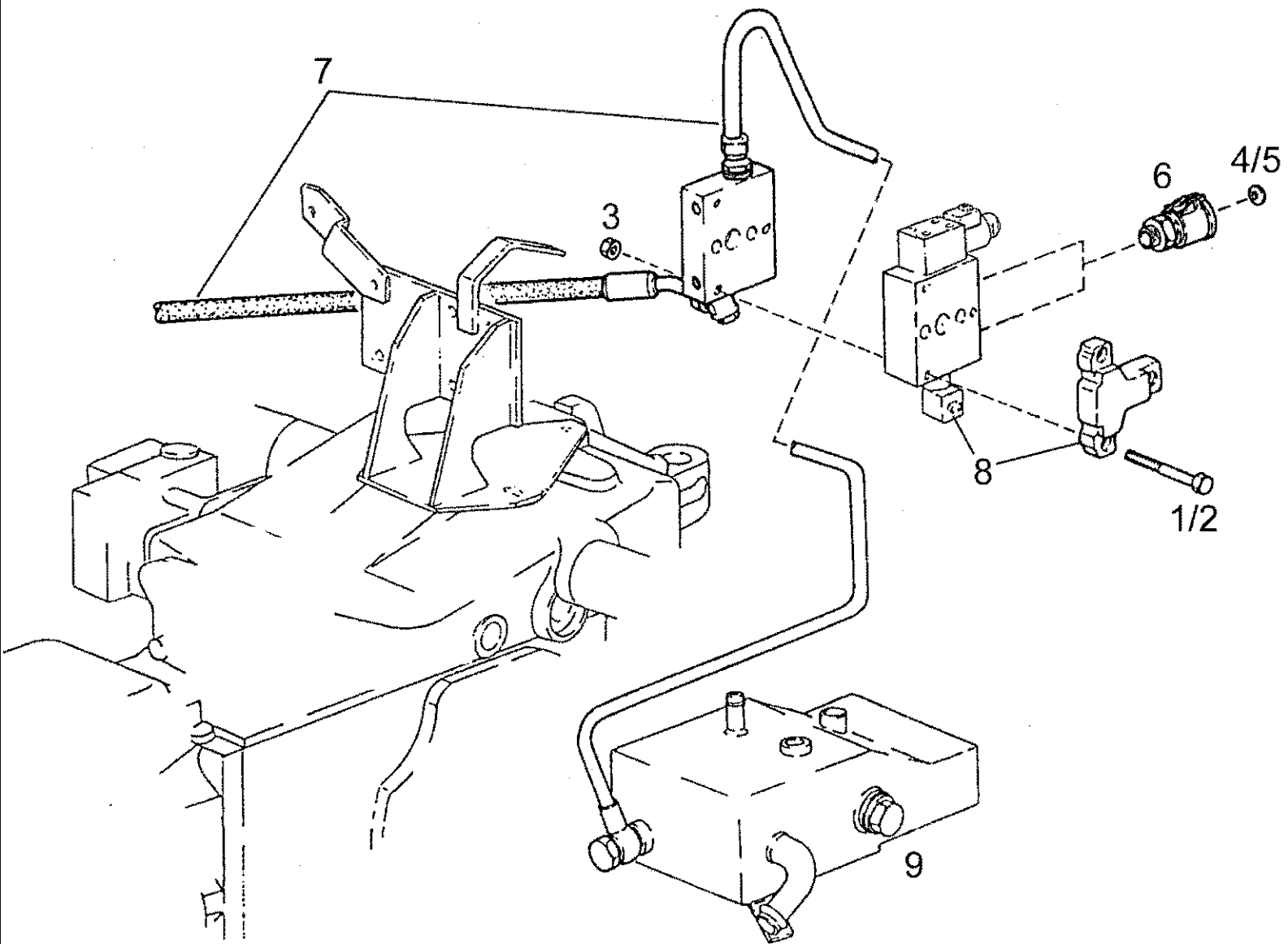


Ref	Onderdeelnummer	Kwt	Beschrijving
1	1-32-173-074	1	HEFBOOM,
1A	1-34-677-635	1	SYMBOLLEN, , Blau/Blue/Bleu/Blå/Blu
2	133700732531	1	COVER, PROTECTIVE,
3	190003179530	4	KLINKNAGEL, , 5x7,5-POM-SW
4	190003930243	4	SLUITRING, , A5,3-140HV-A3R
5	199100360174	1	KLEM,
6	86977726	1	BOUT, Hex, M6 x 12, 8.8,
7	15896221	1	MOER, M6, CI 10, , M6-8-A2C, DIN934
8	133700732568	1	COVER, PROTECTIVE, , ---->02442
8	1-34-544-338	1	COVER, PROTECTIVE, , 02443 ---->
9	190003834310	1	SCHROEF, , M6x16-MU
10	190003888608	1	MOER, , VM6-8
11	190003936101	1	SLUITRING, , 6,4-140HV-A3C
12	133700732585	1/1	GRIP,
13	190003903628	1/1	PEN, , 8H11x28x25-ST-A3C
14	190003930261	2/2	SLUITRING, , A8,4
15	190003870077	1/1	MOER, , BM10-05-A3C
16	133700732527	1/1	PIN, LARGE,
17	190003920251	1/1	SPLITPEN, , 3,2x36-ST-A4C
18	1-34-427-100	1/1	BLAASBALG,
19	133700732529	1/1	STAALDRAAD,
20	190003920141	1/1	SPLITPEN, , 2x18-ST-A4C
21	1-32-273-108	1	LEVER ASSY.,
21A	1-34-677-607	1	SYMBOLLEN, , Schwarz/Black/Noir/Sort/Nero
22	REF	-	INSTRUCTION, , Siehe nächste Seite(n)/See next page(s)/Voir page(s) suivante(s)/Se næste side (r )/Vedere pagin(a/e) seguent(e/i)
23	1397750128	1	VEER,



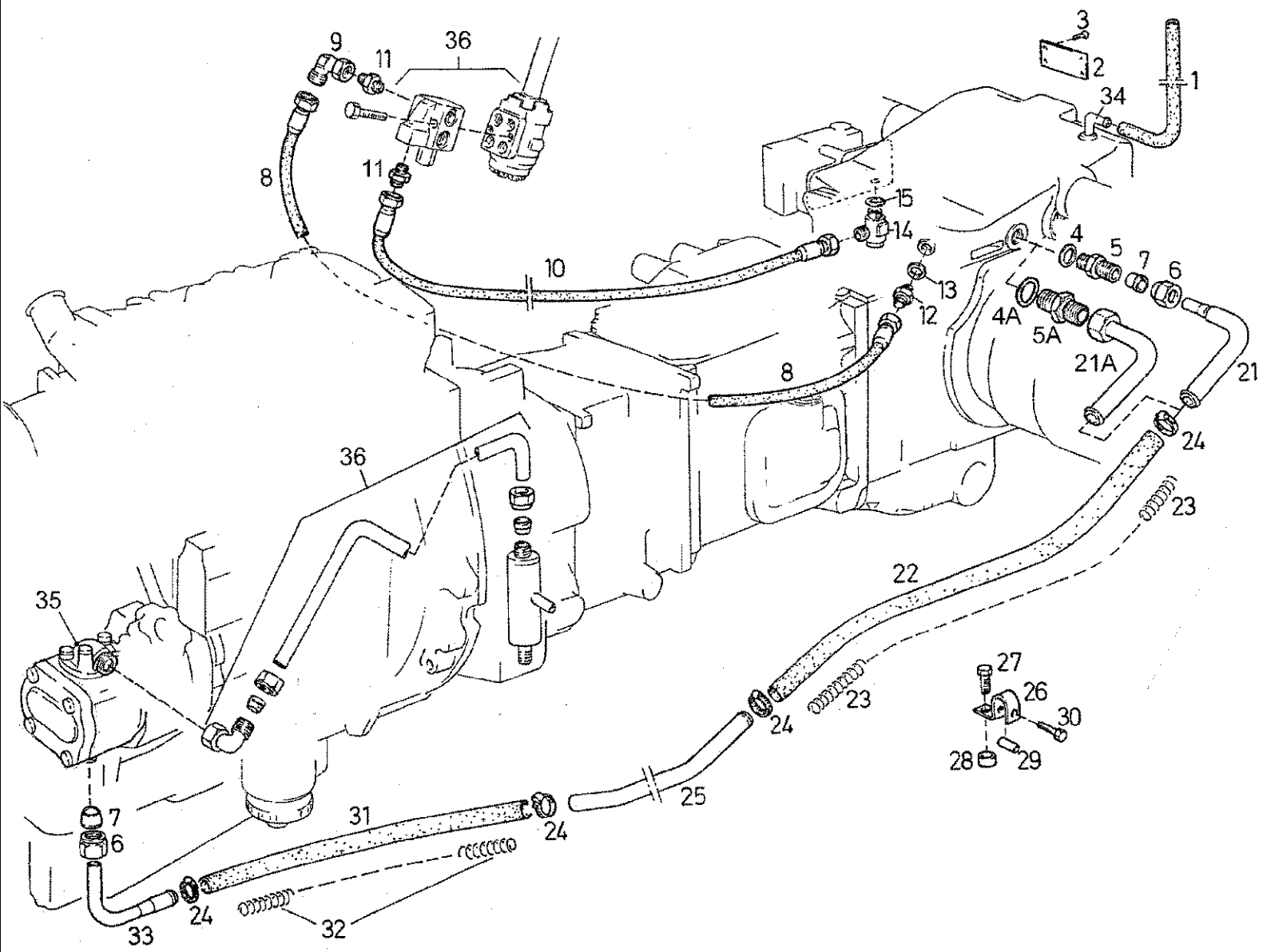
## 08-11(01) AUXILIARY VALVES, BUILT-IN

Ref	Onderdeelnummer	Kwt	Beschrijving
1	190003800479	3	SCHROEF, , M8x100-8.8-A2C
2	190003800497	3	SCHROEF, , M8x160-8.8-A2C
2A	190003800493	3	SCHROEF, , M8x150-8.8-A2C
3	190003800472	3	SCHROEF, , M8x85-8.8-A2C
4	153700730062	1	AFSTANDSRING,
5	190003120574	1	RING, PACKING, , 25,3x2,4-DR150H
6	1397750110	2	O-RING, , 16,3x2,4
7	11106231	4	BOUT, Hex, M10 x 25, 10.9, Full Thd, , M10x25-8.8
8	190003800494	3	SCHROEF, , M8x140-8.8-A2C
9	1-32-573-242	2	DRAADKLEM, , Rot/Red/Rouge/Rød/Rosso +
9	1-32-573-252	2	DRAADKLEM, , Rot/Red/Rouge/Rød/Rosso -
10	1-32-573-246	2	KLEM, , Grün/Green/Vert/Grøn/Verde +
10	1-32-573-256	2	KLEM, , Grün/Green/Vert/Grøn/Verde -
11	1-32-573-245	2	KLEM, , Blau/Blue/Bleu/Blå/Blu +
11	1-32-573-255	2	KLEM, , Blau/Blue/Bleu/Blå/Blu -
12	190003802493	3	SCHROEF, , M8x110-8.8-A2C
13	43362	3	MOER, M8, CI 10,
14	REF	-	INSTRUCTION, , Siehe nächste Seite(n)/See next page(s)/Voir page(s) suivante(s)/Se næste side (r )/Vedere pagin(a/e) seguent(e/i)
15	REF	-	INSTRUCTION, , Siehe nächste Seite(n)/See next page(s)/Voir page(s) suivante(s)/Se næste side (r )/Vedere pagin(a/e) seguent(e/i)
16	REF	-	INSTRUCTION, , Siehe nächste Seite(n)/See next page(s)/Voir page(s) suivante(s)/Se næste side (r )/Vedere pagin(a/e) seguent(e/i)
17	155700730109	1	AFSTANDSRING, , Wahlweise/Optional/En Option/Efter valg/A scelta
17	155700730064	1	AFSTANDSRING,
18	190003120574	1	RING, PACKING, , 25,3x2,4-DR150H
19	1397750110	2	O-RING, , 16,3x2,4



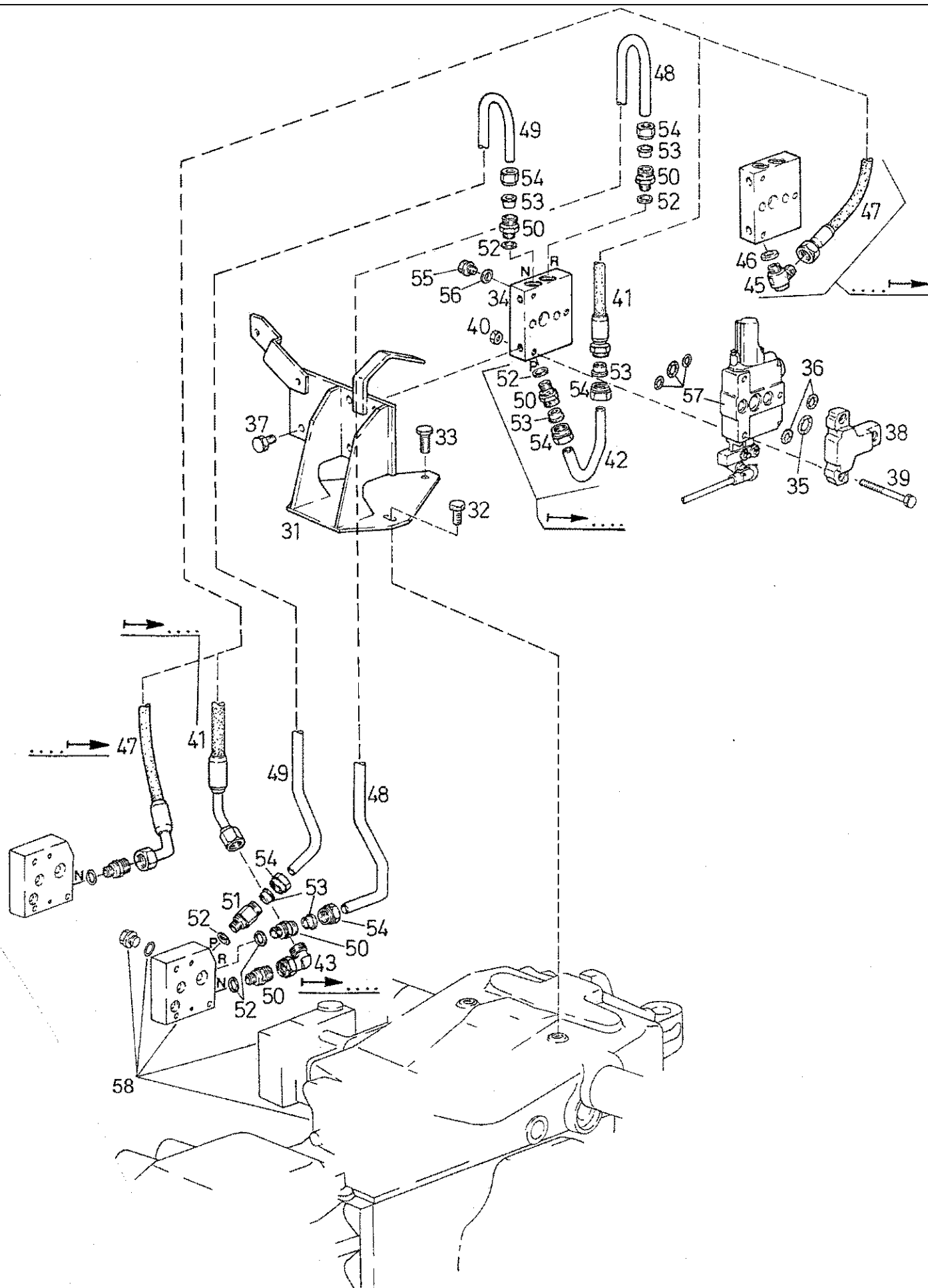
## 08-12(01) AUXILIARY VALVES - BUILT-IN WITH SUPPLEMENTARY OIL RESERVOIR

Ref	Onderdeelnummer	Kwt	Beschrijving
1	190003802493	3	SCHROEF, , M8x110-8.8-A2C
2	190003800497	3	SCHROEF, , M8x160-8.8-A2C
3	43362	3	MOER, M8, CI 10,
4	1-32-573-246	2	KLEM, , Grün/Green/Vert/Grøn/Verde +
4	1-32-573-256	2	KLEM, , Grün/Green/Vert/Grøn/Verde -
5	1-32-573-245	2	KLEM, , Blau/Blue/Bleu/Blå/Blu +
5	1-32-573-255	2	KLEM, , Blau/Blue/Bleu/Blå/Blu -
6	REF	-	INSTRUCTION, , Siehe nächste Seite(n)/See next page(s)/Voir page(s) suivante(s)/Se næste side (r )/Vedere pagin(a/e) seguent(e/i)
7	REF	-	INSTRUCTION, , Siehe nächste Seite(n)/See next page(s)/Voir page(s) suivante(s)/Se næste side (r )/Vedere pagin(a/e) seguent(e/i)
8	REF	-	INSTRUCTION, , Siehe nächste Seite(n)/See next page(s)/Voir page(s) suivante(s)/Se næste side (r )/Vedere pagin(a/e) seguent(e/i)
9	REF	-	INSTRUCTION, , Siehe nächste Seite(n)/See next page(s)/Voir page(s) suivante(s)/Se næste side (r )/Vedere pagin(a/e) seguent(e/i)



## 08-13(01) HYDRAULIC CIRCUIT / PART 1

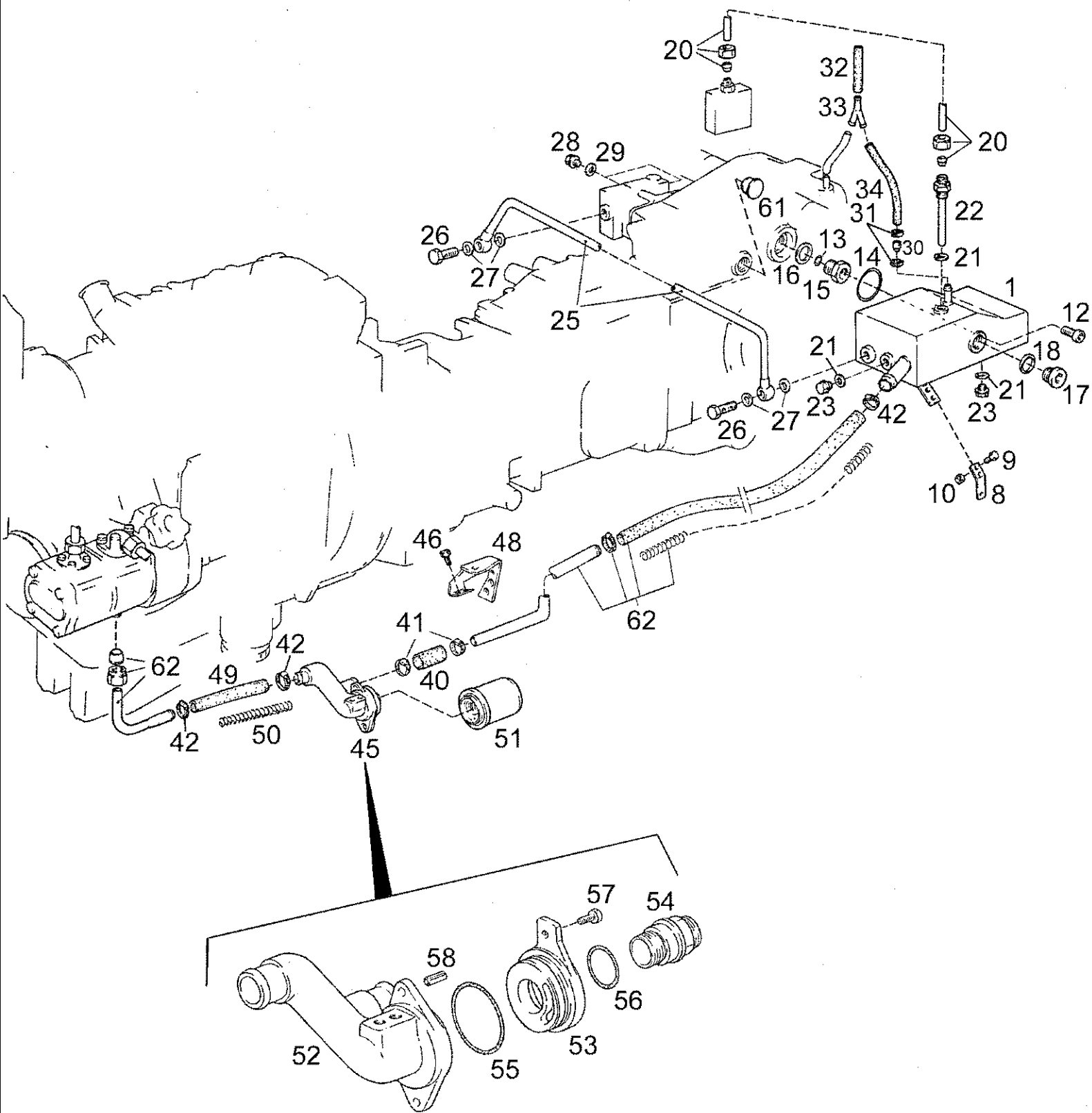
Ref	Onderdeelnummer	Kwt	Beschrijving
1	190003169195	X	FLEXIBELE BUIS, , 13x20; L = 420mm
2	133700732531	1	COVER, PROTECTIVE,
3	190003179530	4	KLINKNAGEL, , 5x7,5-POM-SW
4	190003098071	1	DICHTINGSRING, , A33x39-CU / ----> . . . .
4A	190003098064	1	RING, PACKING, , A42x49-CU / . . . .---->
5	190003551247	1	FITTING, , L28A-M-ST-A3C / ----> . . . .
5A	190003551367	1	FITTING, , L35A-M-ST-A3C / . . . .---->
6	190003559505	1/1	NUT, TUBE, , AL28-A3C / ----> . . . .
7	190003559566	1/1	TONNETJE, , L28-ST-A3C / ----> . . . .
8	133700732335	1	FLEXIBELE BUIS,
9	190003559493	2	VERBINDING, , L15
10	133700732333	1	FLEXIBELE BUIS,
11	190003551203	2	VERBINDING, , L15
12	180327030007	1	MOER VOOR BUIZEN, , M22x1,5/M22x1,5
13	190003098026	1	DICHTINGSRING, , A22x27-CU
14	133700470161	1	JOINT, SWING, , Einschließlich/Includes/Avec/Inklusive/Compreso 15
15	133700470139	1	O-RING,
21	133700732146	1	BUISJE, , ----> . . . .; Einschließlich/Includes/Avec/Inklusive/Compreso 6, 7
21A	1-32-273-107	1	OPVULPIJP, , . . . .---->
22	133700732151	1	LEIDING, , 35x43; L = 700mm
23	133700732152	1	STAALDRAAD,
24	190003989305	4	SPANHULS, , 32/48
25	1-32-273-104	1	PIPE ASSY.,
26	133700732476	2	SCHELLE
27	190003802822	2	SCHROEF, , M16x35-8.8
28	133700732477	2	BUCHSE
29	133700732478	2	ROHR
30	190003802447	2	SCHROEF, , M8x45-8.8
31	133700732149	1	LEIDING, , 35x43; L = 450mm
32	133700732150	1	STAALDRAAD,
33	133700732144	1	ELLEBOOG,
34	137700730049	1	ELLEBOOG,
35	REF	-	INSTRUCTION, , Siehe Kapitel 02/See Chapter 02/Voir Chapitre 02/Se kapitel 02/Vedere capitolo 02
36	REF	-	INSTRUCTION, , Siehe Kapitel 05/See Chapter 05/Voir Chapitre 05/Se kapitel 05/Vedere capitolo 05





## 08-14(01) HYDRAULIC CIRCUIT / PART 2

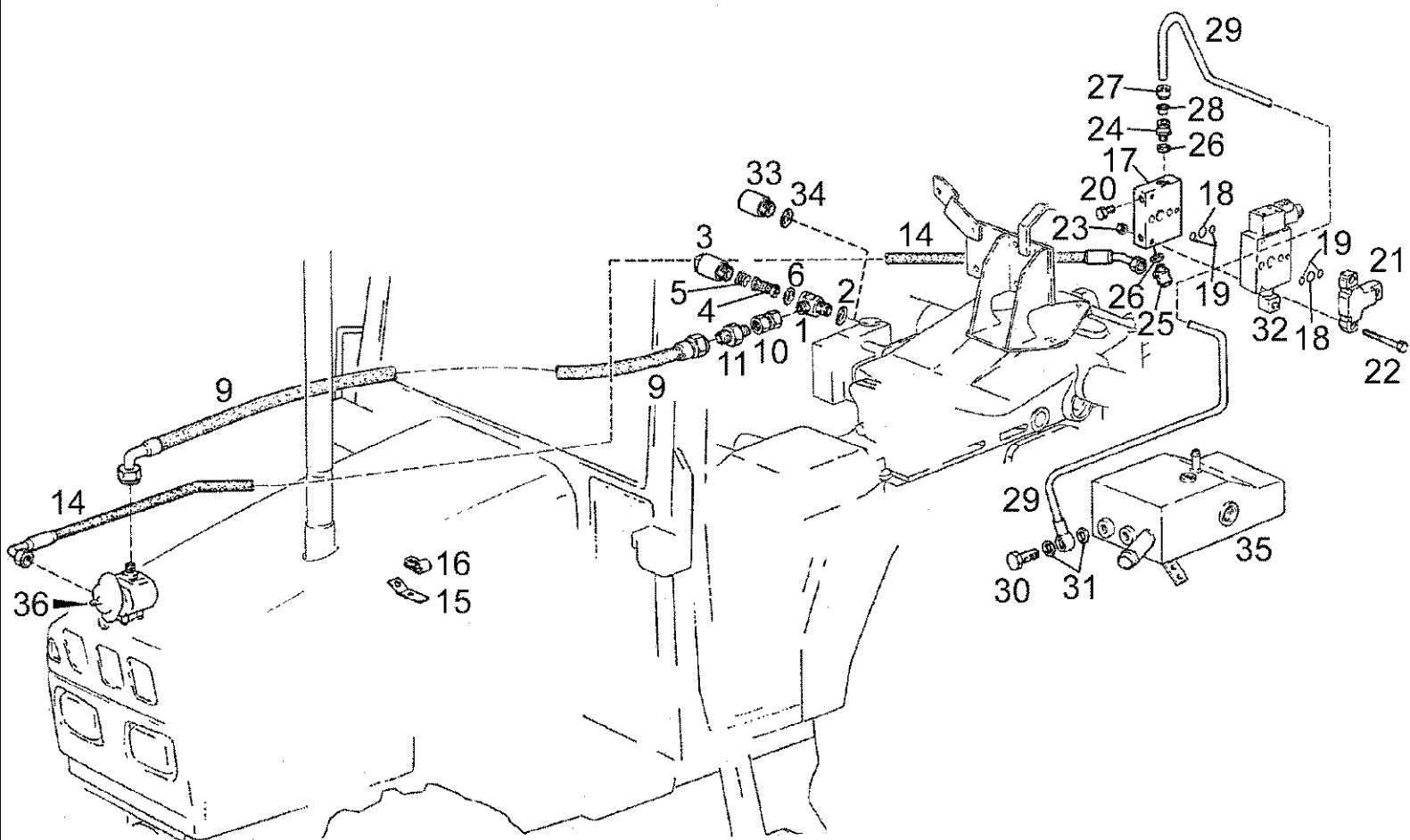
Ref	Onderdeelnummer	Kwt	Beschrijving
31	1-32-273-001	1	STEUNBEUGEL,
32	11106231	2	BOUT, Hex, M10 x 25, 10.9, Full Thd, , M10x25-8.8
33	9706704	1	BOUT, Hex, M10 x 35, 8.8, Full Thd, , M10x35-8.8
34	155700730341	1	PLAAT,
35	190003120574	1	RING, PACKING, , 25,3X2,4-DR150H
36	1397750110	2	O-RING, , 16,3x2,4-DR150H
37	43138	2	BOUT, Hex, M10 x 20, 8.8, Full Thd,
38	155700730335	1	PLAAT,
38	155700730163	1	PLAAT, , Wahlweise/Optional/En Option/Efter valg/A scelta
39	190003802455	3	SCHROEF, , M8x55-8.8
39	190003802493	3	SCHROEF, , M8x110-8.8
40	43362	3	MOER, M8, CI 10,
41	133700732170	1	FLEXIBELE BUIS, , ---->. . . .
42	133700732171	1	BUISJE, , ---->. . . .
43	190003559493	1	VERBINDING, , L15 / ---->. . . .
45	133700470161	1	JOINT, SWING, , . . . ---->; Einschließlich/Includes/Avec/Inklusive/Compreso 46
46	133700470139	1	O-RING, , . . . ---->
47	133700732566	1	HOSE ASSY., , L = 350mm
48	133700732332	1	BUISJE,
49	133700732330	1	DRUKLEIDING,
50	190003559494	4	VERBINDING, , L15A-M
51	133700732232	1	VERLOOPSTUK,
52	190003098020	5	DICHTINGSRING, , A18x22-CU
53	190003559562	5	TONNETJE, , L15
54	190003559515	5	MOER, , AL15
55	190003962030	1	PLUG, Hex Wash Hd, M18 x 1.5, , A-M18x1,5
56	190003098020	5	DICHTINGSRING, , A18x22-CU
57	REF	-	INSTRUCTION, , Siehe nächste Seite(n)/See next page(s)/Voir page(s) suivante(s)/Se næste side (r )/Vedere pagin(a/e) seguent(e/i)
58	REF	-	INSTRUCTION, , Siehe Seite(n) vorne/See Page(s) before/Voir Page(s) avant/Se side (r ) forrest/Vedere pagin(a/e) precedent(e/i)



## 08-15(01) SUPPLEMENTARY OIL RESERVOIR

Ref	Onderdeelnummer	Kwt	Beschrijving
1	133700732470	1	OIL RESERVOIR,
8	133700732137	1	HOEKSTUK,
9	190003802415	2	SCHROEF, , M8x18-8.8
10	43362	2	MOER, M8, CI 10,
12	133700730297	1	SCHROEF,
13	1406050013	1	O-RING,
14	1192730010	1	O-RING,
15	133700730499	1	SCHROEF,
16	190003098071	1	DICHTINGSRING, , A33x39-CU
17	12700330038	1	SCHROEF,
18	190003098062	1	RING, PACKING, , A38X44-CU
20	133700732583	1	PIPE, RETURN, , Ersetzt/Replaces/Remplace/Udskiftet/Sostituisce 133700732474
21	190003098026	2/1	DICHTINGSRING, , A22x27-CU
22	133700730109	1	BUISLEIDING,
23	190003962038	1/1	PLUG, Hex Wash Hd, M22 x 1.5, , A-M22x1,5
25	133700732123	1	BUISLEIDING,
26	190003962643	2	VIJZELSCHROEF, , 18-3
27	190003098026	4	DICHTINGSRING, , A22x27-CU
28	190003962030	2	PLUG, Hex Wash Hd, M18 x 1.5, , A-M18x1,5
29	190003098020	2	DICHTINGSRING, , A18x22-CU
30	133700732226	1	VALVE,
31	190003989302	2	KLEM, , 13/19
32	190003169195	1	FLEXIBELE BUIS, , 13x20
33	133700732128	1	FITTING,
34	190003169195	1	FLEXIBELE BUIS, , 13x20; L = 280mm
40	1-32-373-179	1	SLANG, GROOT, , 35x44; L = 80mm
41	1-32-373-178	2	KLEM, , 32/50 OETIKER
42	1-32-373-178	4	KLEM, , 32/50 OETIKER
45	155700730264	1	HERSTELKIT, , Besteht aus/Consists of/Compose de/Bestående af/È composto da 52 - 58
46	43138	2	BOUT, Hex, M10 x 20, 8.8, Full Thd,
48	REF	-	INSTRUCTION, , Siehe Kapitel 05/See Chapter 05/Voir Chapitre 05/Se kapitel 05/Vedere capitolo 05
49	190003160004	2	FLEXIBELE BUIS, , 35x4; L = 220mm
50	155700730176	1	STAALDRAAD,
51	133700730095	1	FILTER, HYDRAULISCHE OLIE,
52	155700730265	1	ROHR
53	155700730235	1	POPPET, VALVE,
54	155700730129	1	FITTING,
55	1190320035	1	O-RING,
56	1609F010019	1	SEAL ASSY.,
57	86508568	1	BOUT, Hex, M6 x 16, 8.8,
58	NSS	-	NIET ALLEEN VERKRIJGBAAR,

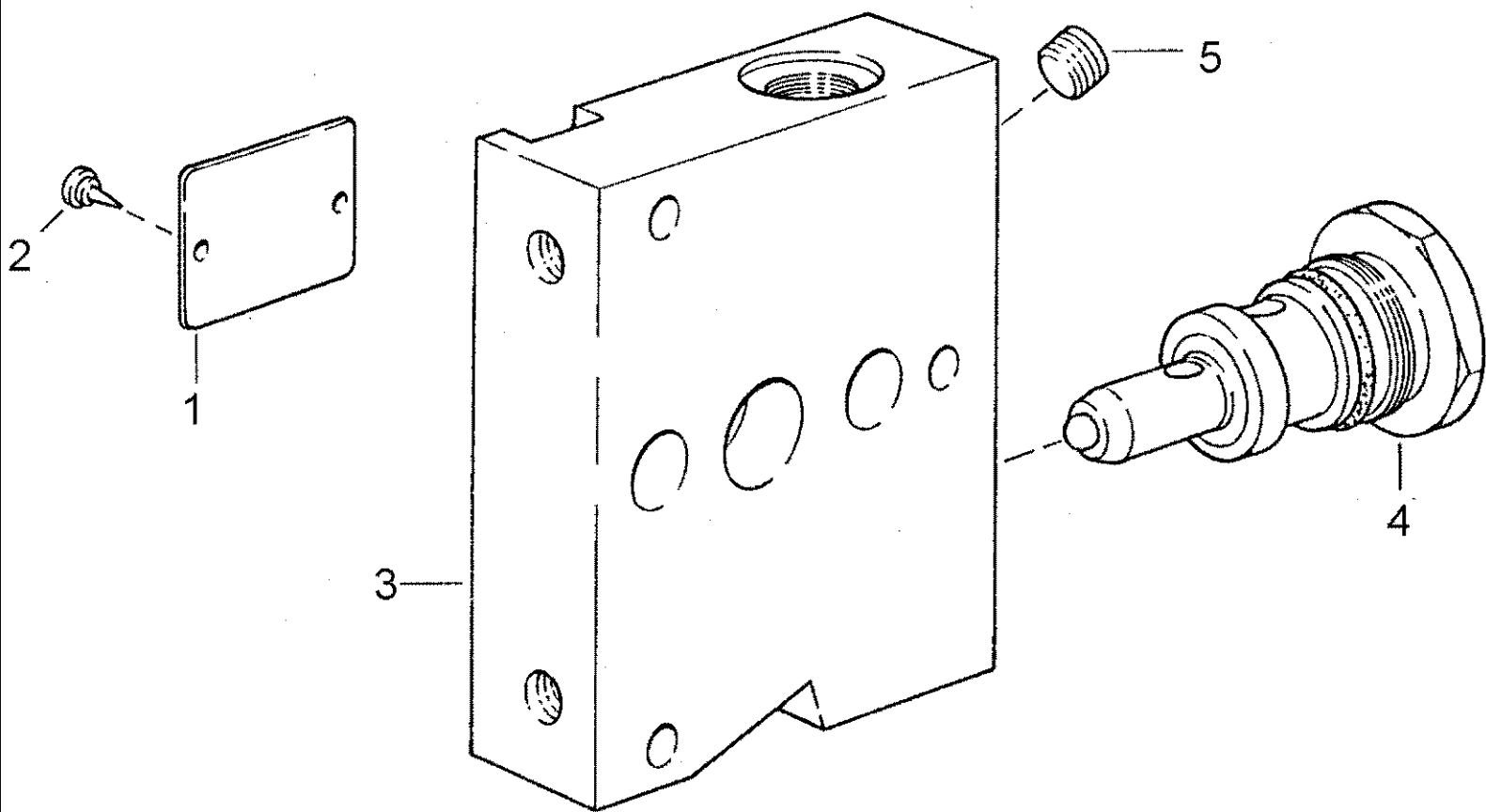
Ref	Onderdeelnummer	Kwt	Beschrijving
61	1-32-273-228	1	SCHROEF, , M42x2
62	REF	-	INSTRUCTION, , Siehe Seite(n) vorne/See Page(s) before/Voir Page/s) avant/Se side (r ) forrest/Vedere pagin(a/e) precedent(e/i)



## 08-16(01) 2ND HYDRAULIC CIRCUIT

Ref	Onderdeelnummer	Kwt	Beschrijving
1	1188730138	1	SCHROEF,
2	190003098031	1	DICHTINGSRING, , A26x31-CU
3	1292730033	1	FILTERELEMENT,
4	1292730086	1	FILTER,
5	1288730283	1	VEER,
6	190003098040	1	DICHTINGSRING, , A32x38-CU
7	190003559567	1	TONNETJE, , L22
8	190003559510	1	NUT, TUBE, , A L22
9	133700732507	1	FLEXIBELE BUIS,
10	133700732508	1	FITTING,
11	133700732509	3	RESTRICTOR,
14	1-32-273-007	1	FLEXIBELE BUIS,
15	1397350164	1	VERWISSELBAAR RISTERVOORS,
16	1609E110049	1	KLEM,
17	1-32-373-002	1	PLAAT, , Siehe nächste Seite(n)/See next page(s)/Voir page(s) suivante(s)/Se næste side (r )/Vedere pagin(a/e) sequent(e/i)
18	190003120574	1/1	RING, PACKING, , 25,3x2,4-DR150H
19	1397750110	2/2	O-RING,
20	43138	2	BOUT, Hex, M10 x 20, 8.8, Full Thd,
21	155700730335	1	PLAAT, , Wahlweise/Optional/En Option/Efter valg/A scelta
21	155700730163	1	PLAAT,
22	190003802455	3	SCHROEF, , M8x55-8.8; Wahlweise/Optional/En Option/Efter valg/A scelta
22	190003802493	3	SCHROEF, , M8x110-8.8
22	190003800497	3	SCHROEF, , M8X160-8.8-A2C
23	43362	3	MOER, M8, CI 10,
24	190003559494	1	VERBINDING, , L15A-M
25	133700470161	1	JOINT, SWING,
26	190003098021	2	DICHTINGSRING, , A18x24-CU
27	190003559515	1	MOER, , AL15
28	190003559562	1	TONNETJE, , L15
29	133700732475	1	LEIDING,
30	190003962643	1	VIJZELSCHROEF, , 18-3
31	190003098026	2	DICHTINGSRING, , A22x27-CU
32	REF	-	INSTRUCTION, , Siehe nächste Seite(n)/See next page(s)/Voir page(s) suivante(s)/Se næste side (r )/Vedere pagin(a/e) sequent(e/i)
33	1-35-127-112	1	RESTRICTOR, , . . . .---->
34	190003098040	1	DICHTINGSRING, , A32x38-CU / . . . .---->
35	REF	-	INSTRUCTION, , Siehe Seite(n) vorne/See Page(s) before/Voir Page(s) avant/Se side (r ) forrest/Vedere pagin(a/e) precedent(e/i)
36	REF	-	INSTRUCTION, , Siehe Kapitel 02/See Chapter 02/Voir Chapitre 02/Se kapitel 02/Vedere capitolo 02

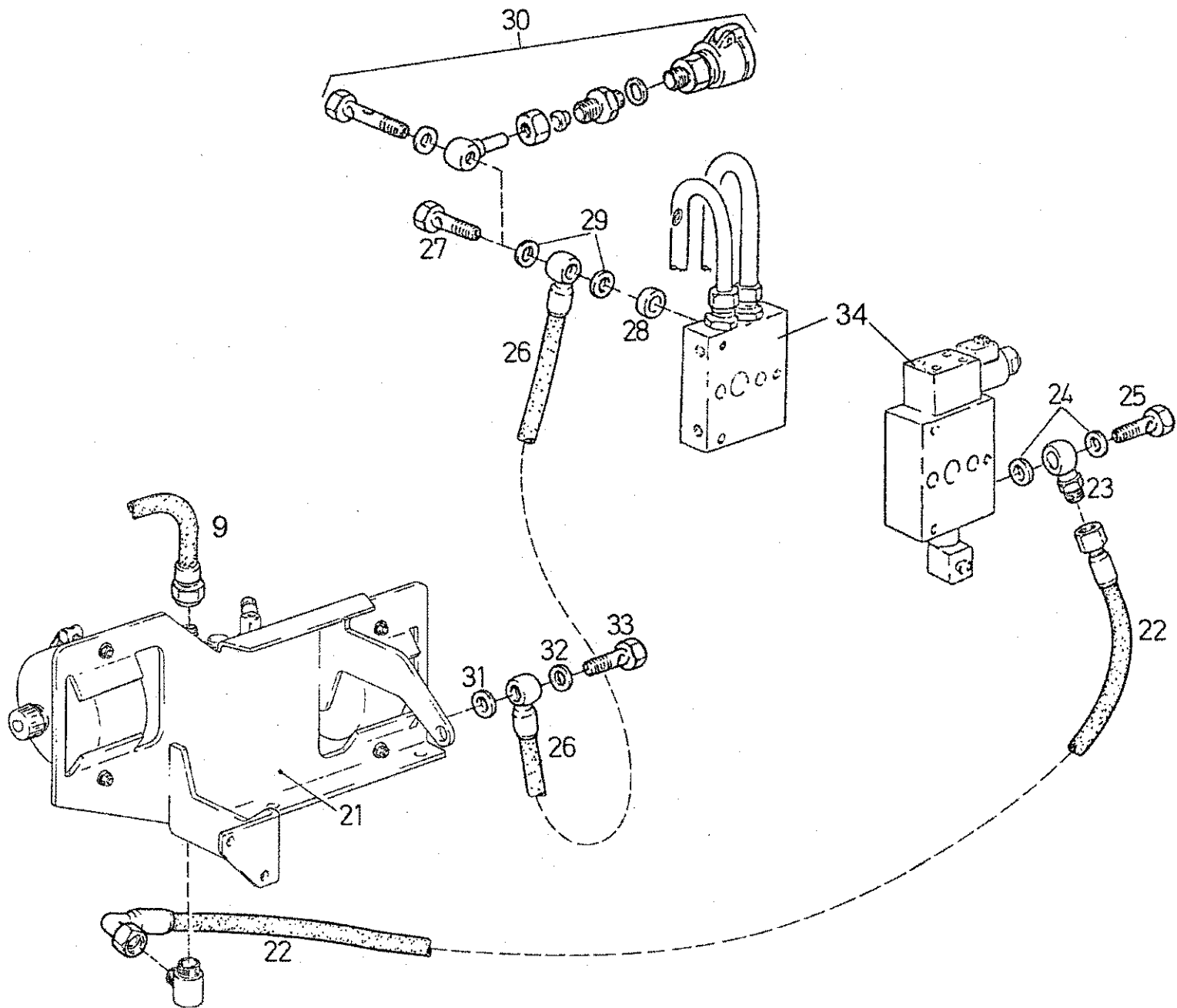
08-17(01) CONNECTING PLATE



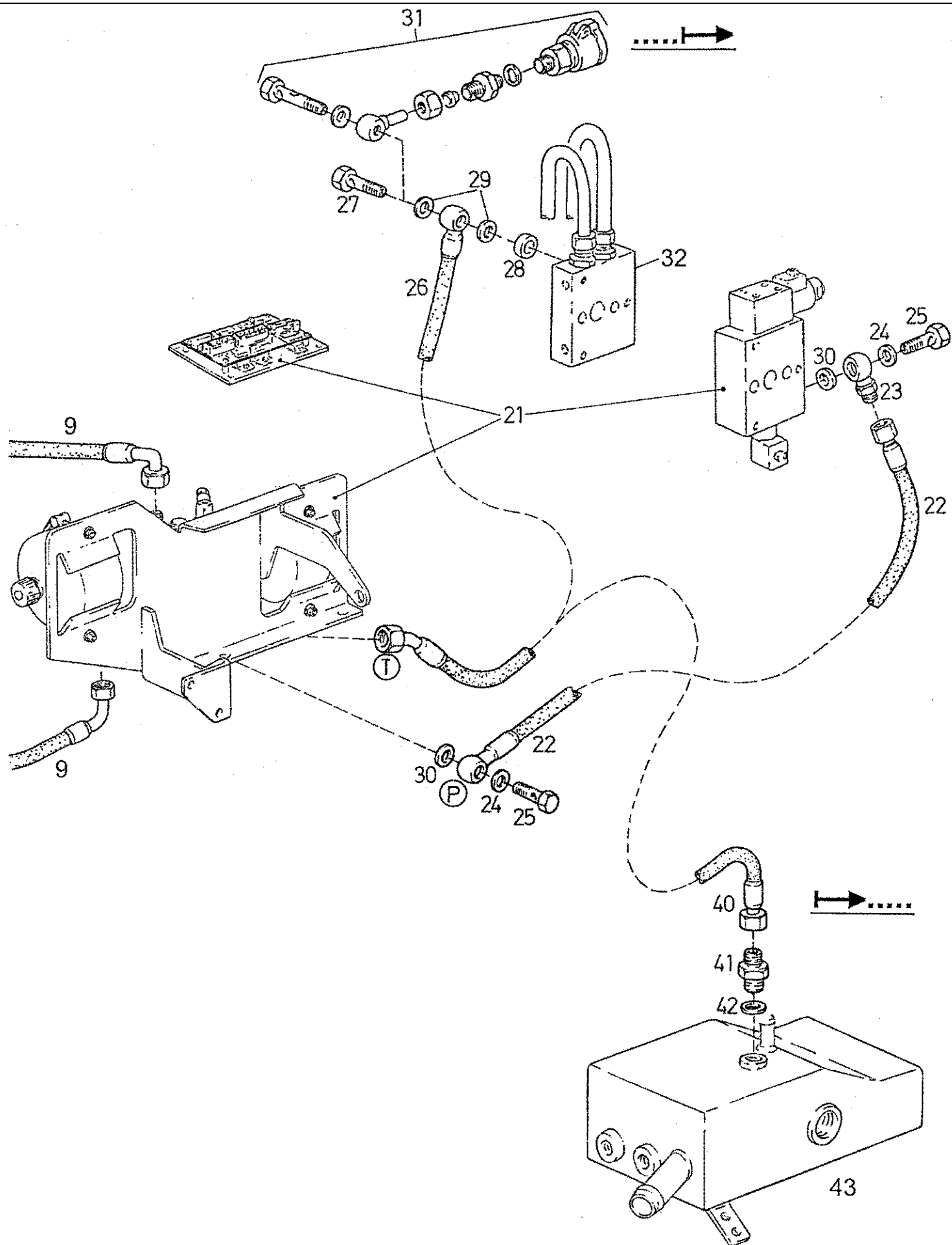
## 08-17(01) CONNECTING PLATE

Ref	Onderdeelnummer	Kwt	Beschrijving
	1-32-373-002	1	PLAAT, , Besteht aus/Consists of/Compose de/Bestående af/È composto da 1 - 5
1	155700733051	1	PEN,
2	155700733047	2	KLINKNAGEL,
3	155700733037	1	PLAAT,
4	155700733143	1	VALVE,
5	190003960002	1	SCHROEF, , M12X1,5-ST-A3

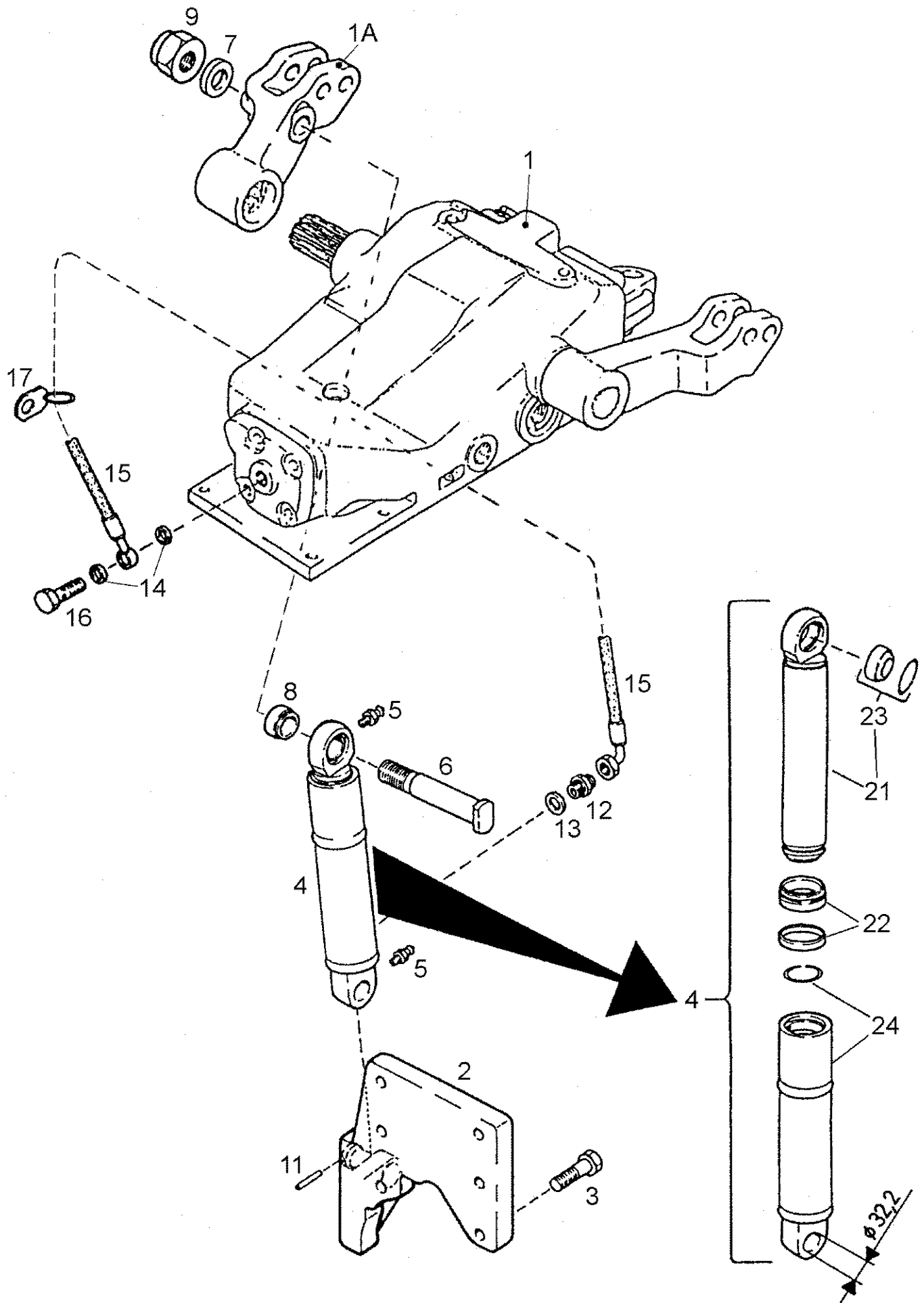




Ref	Onderdeelnummer	Kwt	Beschrijving
9	REF	-	INSTRUCTION, , Siehe nächste Seite(n)/See next page(s)/Voir page(s) suivante(s)/Se næste side (r )/Vedere pagin(a/e) seguent(e/i)
21	1-35-195-102	1	TANDWIEL, , Siehe nächste Seite(n)/See next page(s)/Voir page(s) suivante(s)/Se næste side (r )/Vedere pagin(a/e) seguent(e/i)
22	133700732490	1	SCHLAUCH, L = 1550mm
23	155700730226	1	BUSHING, LARGE,
24	190003098026	2	DICHTINGSRING, , A22x27-CU
25	190003962643	2	VIJZELSCHROEF, , 18-3
26	133700732492	1	SCHLAUCH, L = 1000mm
27	190003962633	1	VIJZELSCHROEF, , 15-S
28	133700470139	1	O-RING,
29	190003098020	2	DICHTINGSRING, , A18x22-CU
30	REF	-	INSTRUCTION, , Siehe nächste Seite(n)/See next page(s)/Voir page(s) suivante(s)/Se næste side (r )/Vedere pagin(a/e) seguent(e/i)
31	REF	-	INSTRUCTION,
32	REF	-	INSTRUCTION,
33	REF	-	INSTRUCTION, , Siehe Kapitel 04/See Chapter 04/Voir Chapitre 04/Se kapitel 04/Vedere capitolo 04
34	REF	-	INSTRUCTION, , Siehe nächste Seite(n)/See next page(s)/Voir page(s) suivante(s)/Se næste side (r )/Vedere pagin(a/e) seguent(e/i)

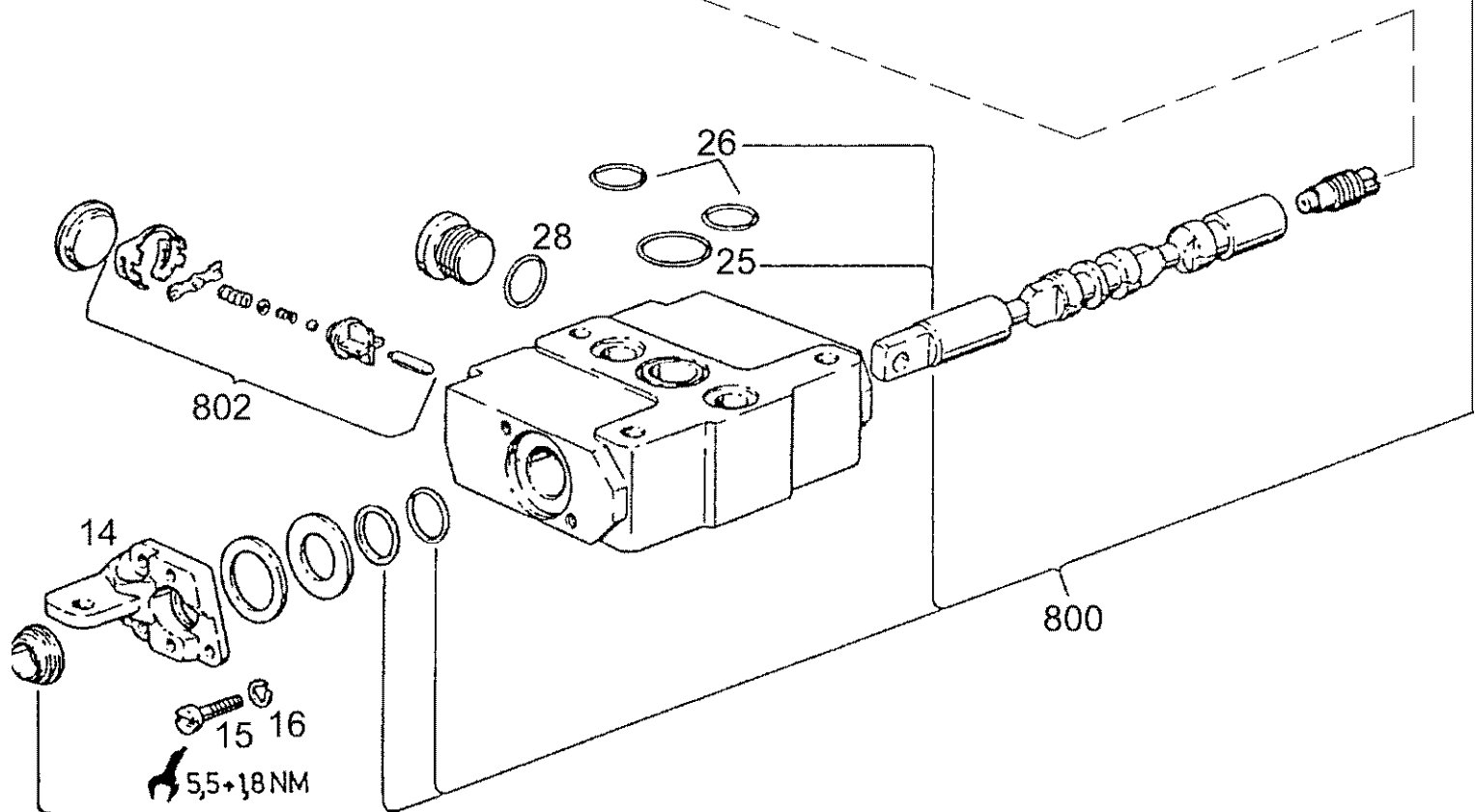
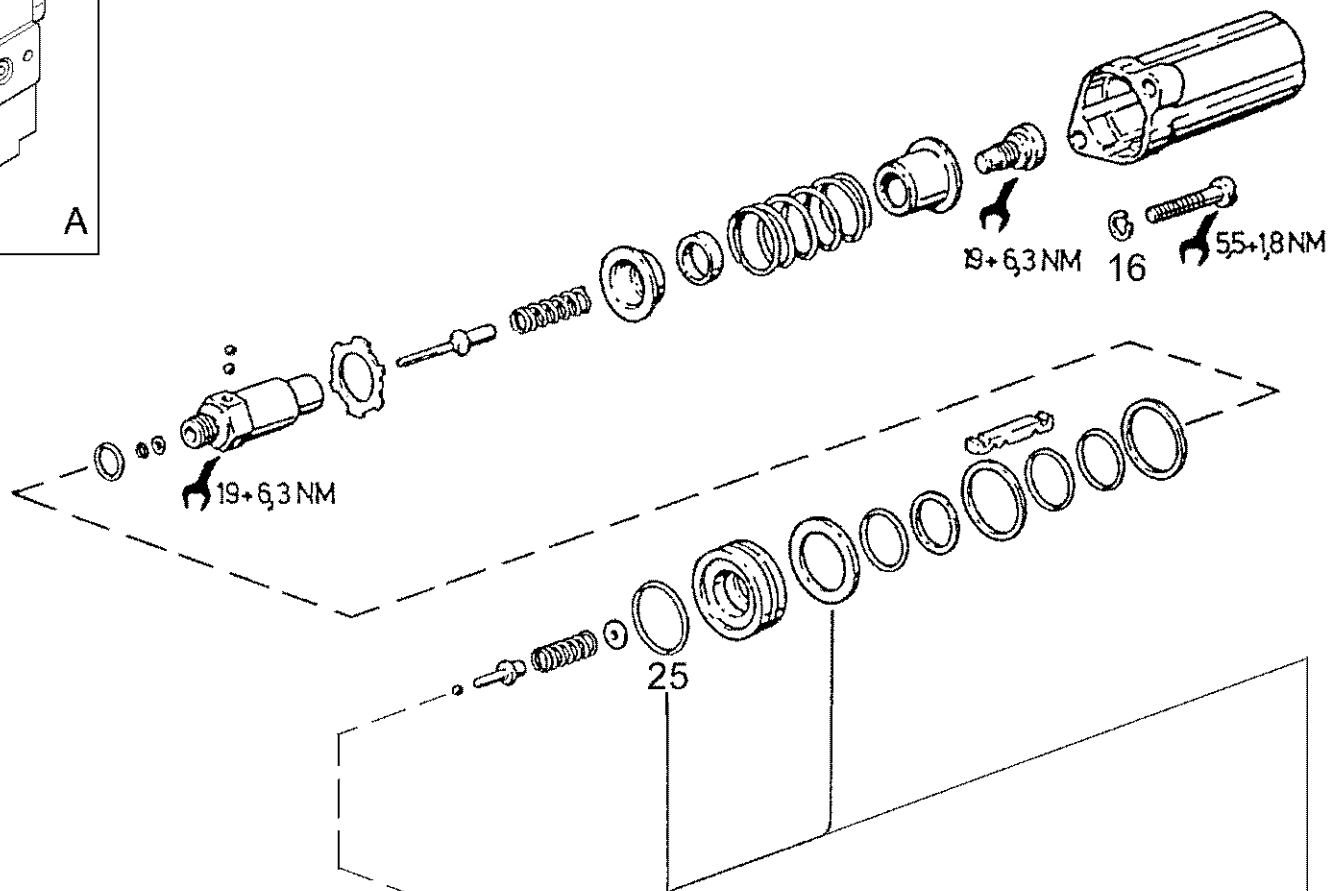
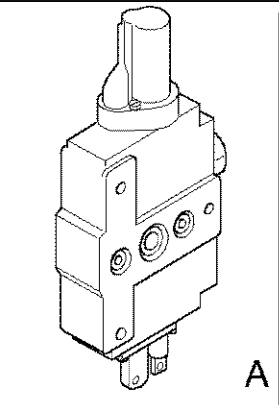


Ref	Onderdeelnummer	Kwt	Beschrijving
9	REF	-	INSTRUCTION, , Siehe nächste Seite(n)/See next page(s)/Voir page(s) suivante(s)/Se næste side (r )/Vedere pagin(a/e) seguent(e/i)
21	1-35-195-116	1	POMP, , Siehe nächste Seite(n)/See next page(s)/Voir page(s) suivante(s)/Se næste side (r )/Vedere pagin(a/e) seguent(e/i)
22	1-35-195-134	1	FLEXIBELE BUIS,
23	155700730284	1	VERBINDINGSBOUT,
24	190003098026	2	DICHTINGSRING, , A22x27-CU
25	1-35-195-120	2	VIJZELSCHROEF,
26	1-35-195-122	1	FLEXIBELE BUIS,
27	190003962633	1	VIJZELSCHROEF, , 15-S
28	133700470139	1	O-RING,
29	190003098020	2	DICHTINGSRING, , A18x22-CU
30	1-35-195-121	2	SPLITPEN, , DKA22x4,5
31	REF	-	INSTRUCTION, , Siehe nächste Seite(n)/See next page(s)/Voir page(s) suivante(s)/Se næste side (r )/Vedere pagin(a/e) seguent(e/i)
32	REF	-	INSTRUCTION, , Siehe Seite(n) vorne/See Page(s) before/Voir Page/s) avant/Se side (r ) forrest/Vedere pagin(a/e) precedent(e/i)
40	1-35-195-118	1	NO DESCRIPTION, SCHLAUCH, ---->. . . .
41	1192470099	1	RESTRICTOR, , ---->. . . .
42	190003098031	1	DICHTINGSRING, , A26x31-CU, ---->. . . .
43	REF	-	INSTRUCTION, , Siehe Seite(n) vorne/See Page(s) before/Voir Page/s) avant/Se side (r ) forrest/Vedere pagin(a/e) precedent(e/i)



## 08-20(01) ADDITIONAL CYLINDER

Ref	Onderdeelnummer	Kwt	Beschrijving
1	1-32-273-230	1	HEFINRICHTING, HYDRAULISC, , Siehe Seite(n) vorne/See Page(s) before/Voir Page(s) avant/Se side (r ) Forrest/Vedere pagin(a/e) precedent(e/i)
1A	135700730081	1	HEFARM, , Rechts/Right/Droit/Højre/Destra
2	133700732169	1	GUIDE, LEVERS,
3	190003800733	6	SCHROEF, , M14x55-10.9-A3C
4	133700732186	1	CYLINDER, , Besteht aus/Consists of/Compose de/Bestående af/È composto da 21 - 24
5	190003963112	2	SMEERNIPPEL, , AM8x1
6	133700730444	1	PIN, PIVOT,
7	190003930341	1	SLUITRING, , A25
8	133700730451	1	LAGERBUS,
9	190003888478	1	MOER, , VM24-8-A-A3C
11	190003909655	1	SPANSTIFT, , 8x50
12	1390470039	1	KOPPELING, , M18x1,5/M18x1,5
13	190003098021	1	DICHTINGSRING, , A18x24-CU
14	190003098017	2	RING, PACKING, , A16x22-CU
15	1-32-173-130	1	HOSE ASSY., SCHLAUCH, L = 1000mm
16	190003962627	1	VIJZELSCHROEF, , 12-3
17	135700730034	1	STEUN,
21	133700730706	1	STAAK, , Einschließlich/Includes/Avec/Inklusive/Compreso 23
22	133700730707	1	KIT, GASKET,
23	133700730705	1	LAGER,
24	133700730759	1	CYLINDER,

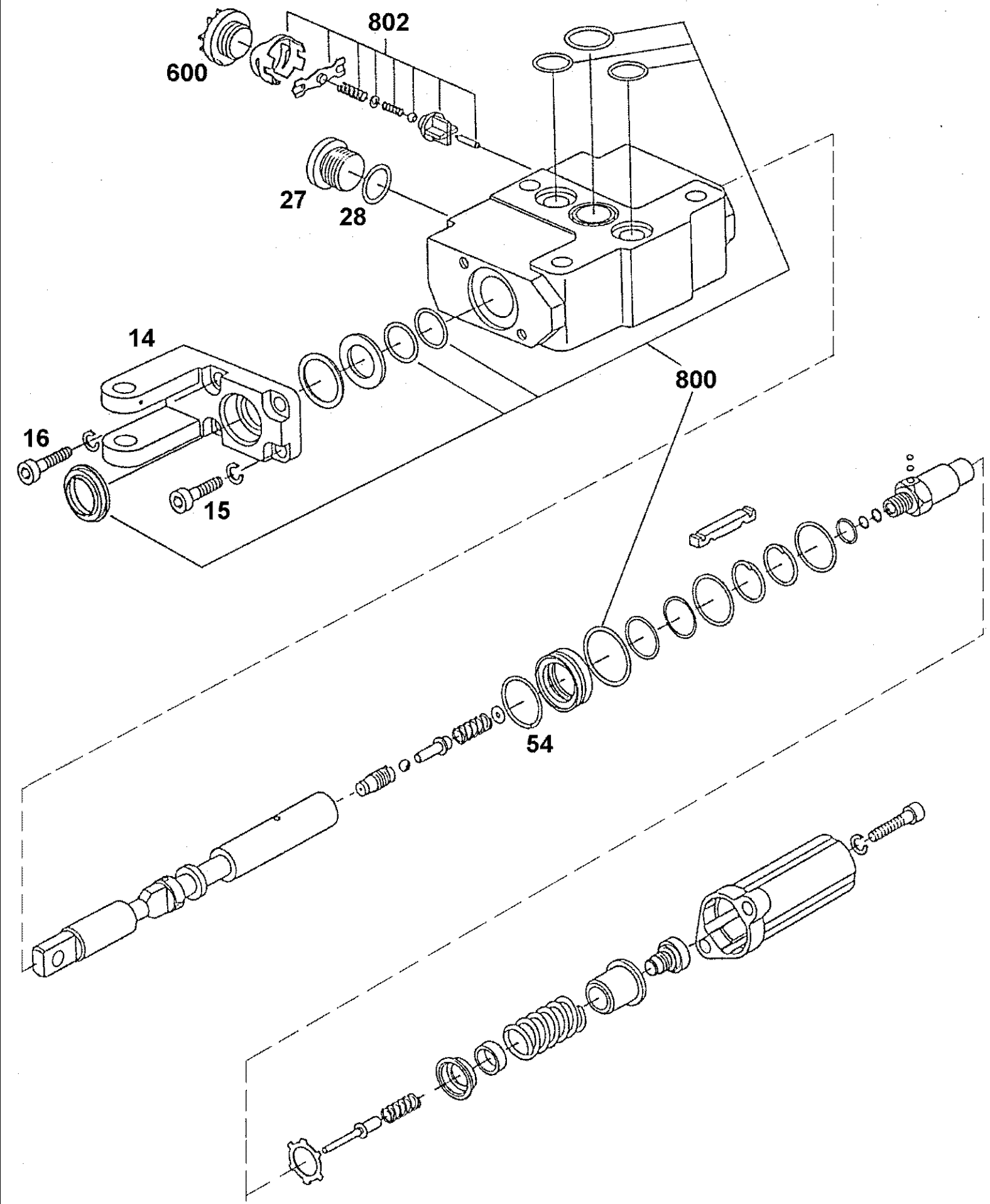


M968 STEYR TRACTOR / --->04939 (6/97-3/99) - Hydraulisch Systeem

08-21(01) CONTROL VALVE, MECH./SINGLE ACTING / ----> 09 01 95

Ref	Onderdeelnummer	Kwt	Beschrijving
A	155700730210	1	KLEPSEGMENT, HYD,
14	155700730712	1	DEKSEL,
15	190003862310	2	SCHROEF, , M6x12-8.8-A2R
16	190003931082	4	SLUITRING, , A6
25	155700730704	1	O-RING, , 26x1,5
26	155700730705	1	O-RING, , 18x1,5
28	155700730705	1	O-RING, , 18x1,5
800	155700730706	1	KIT, GASKET,
802	155700730707	1	SET OF PARTS,

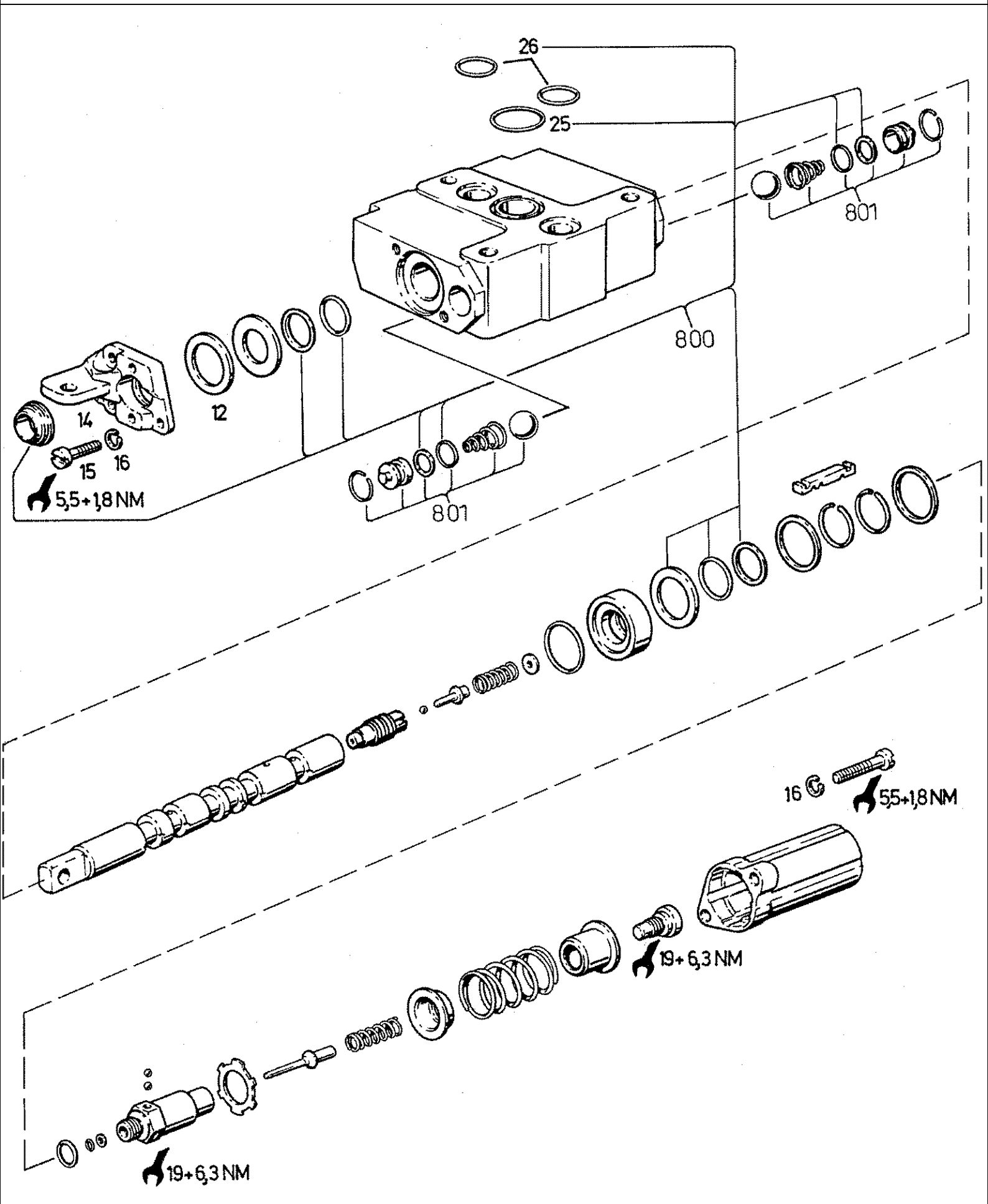




M968 STEYR TRACTOR / --->04939 (6/97-3/99) - Hydraulisch Systeem

08-22(01) CONTROL VALVE, MECH./SINGLE ACTING / 10 01 95 ---->

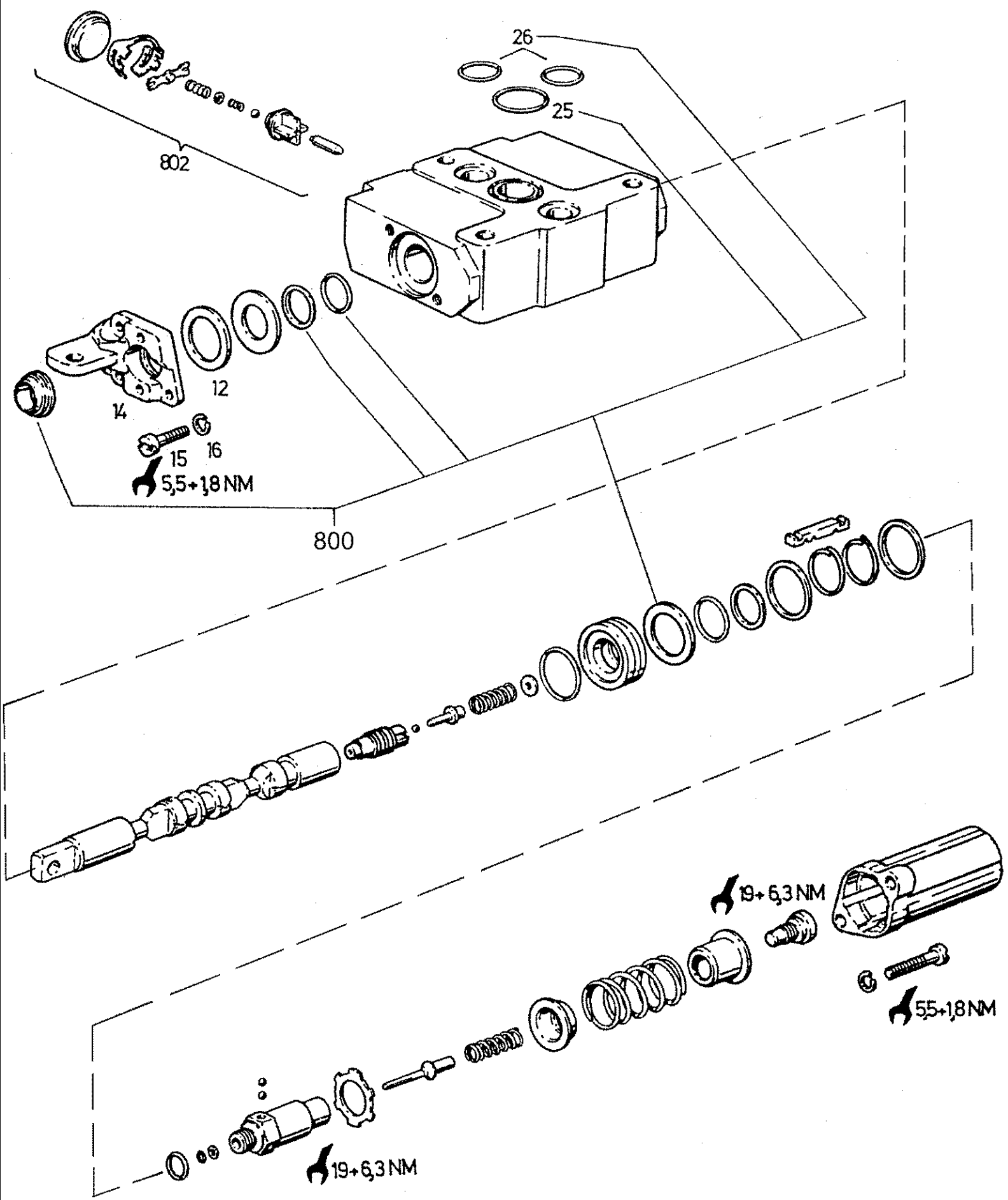
Ref	Onderdeelnummer	Kwt	Beschrijving
	155700730332	1	KONTROLEKLEP,
14	155700730772	1	SUPPORT,
15	190003862310	1	SCHROEF, , M6x12-8.8-A2R
16	190003862316	1	SCHROEF, , M6x16-8.8-A2C
27	155700730775	1	SCHOEP,
28	155700730705	1	O-RING, , 18x2,5
54	155700730704	1	O-RING, , 26x2,5
600	1-32-773-005	1	PLUG,
800	155700730706	1	KIT, GASKET,
802	155700730774	1	SET OF PARTS,



M968 STEYR TRACTOR / --->04939 (6/97-3/99) - Hydraulisch Systeem

08-23(01) CONTROL VALVE. MECH./DOUBLE ACTING / ---->01559

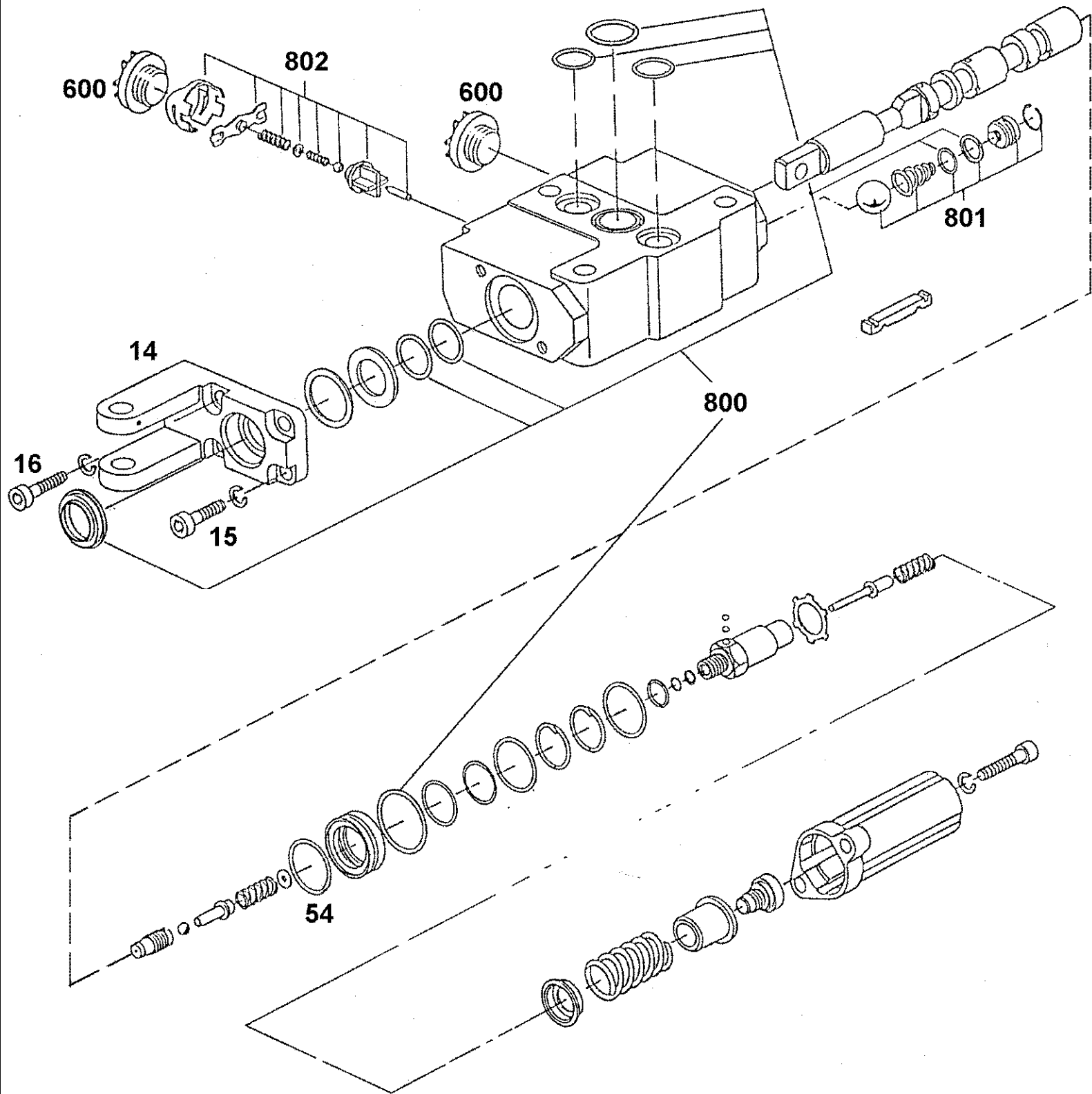
Ref	Onderdeelnummer	Kwt	Beschrijving
	155700730271	1	KONTROLEKLEP,
12	155700730702	1	SCHIJF,
14	155700730708	2	DEKSEL,
15	190003822317	2	SCHROEF, , M6x12-4.8-A2C
16	190003931082	4	SLUITRING, , A6
25	155700730704	1	O-RING,
26	155700730705	1	O-RING,
800	155700730706	1	KIT, GASKET,
801	155700730703	2	SET OF PARTS,



M968 STEYR TRACTOR / --->04939 (6/97-3/99) - Hydraulisch Systeem

08-24(01) CONTROL VALVE. MECH./DOUBLE ACTING WITH VALVE, LOCK/B / ---->01559

Ref	Onderdeelnummer	Kwt	Beschrijving
	155700730186	1	KLEPSEGMENT, HYD,
12	155700730702	1	SCHIJF,
14	155700730708	1	DEKSEL,
15	190003822317	2	SCHROEF, , M6x12-4.8-A2C
16	190003931082	4	SLUITRING, , A6
25	155700730704	1	O-RING,
26	155700730705	2	O-RING,
800	155700730706	1	KIT, GASKET,
802	155700730707	2	SET OF PARTS,

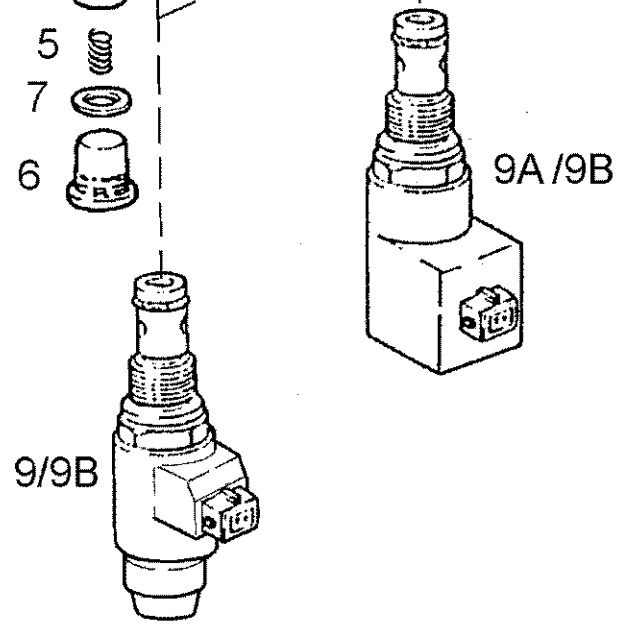
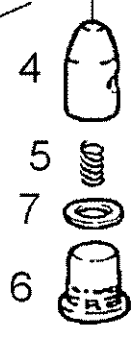
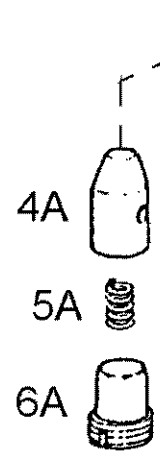
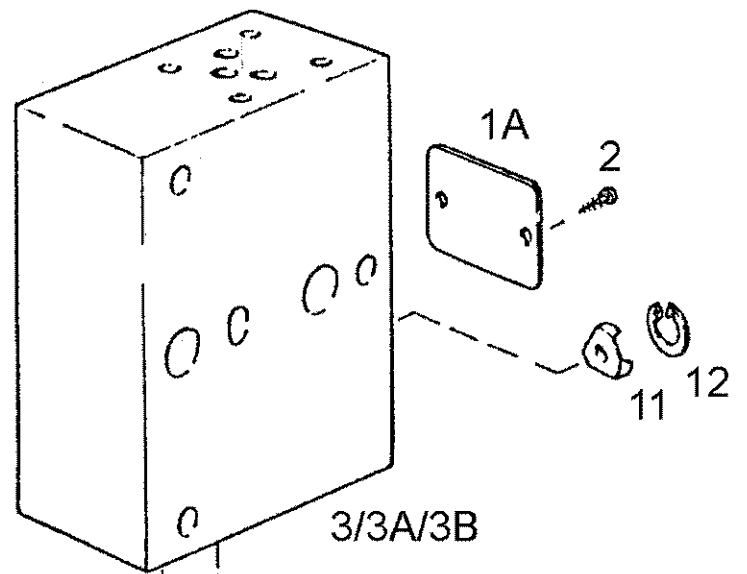
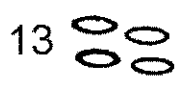
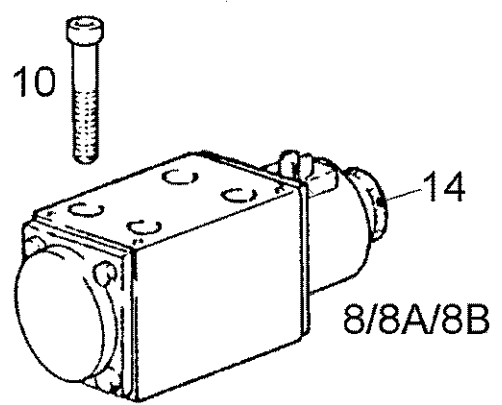
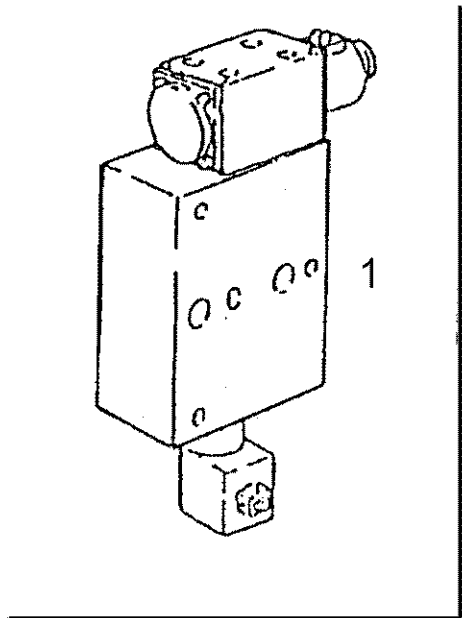


M968 STEYR TRACTOR / --->04939 (6/97-3/99) - Hydraulisch Systeem

08-25(01) CONTROL VALVE. MECH./DOUBLE ACTING WITH STOP VALVE/A / 01560 ---->

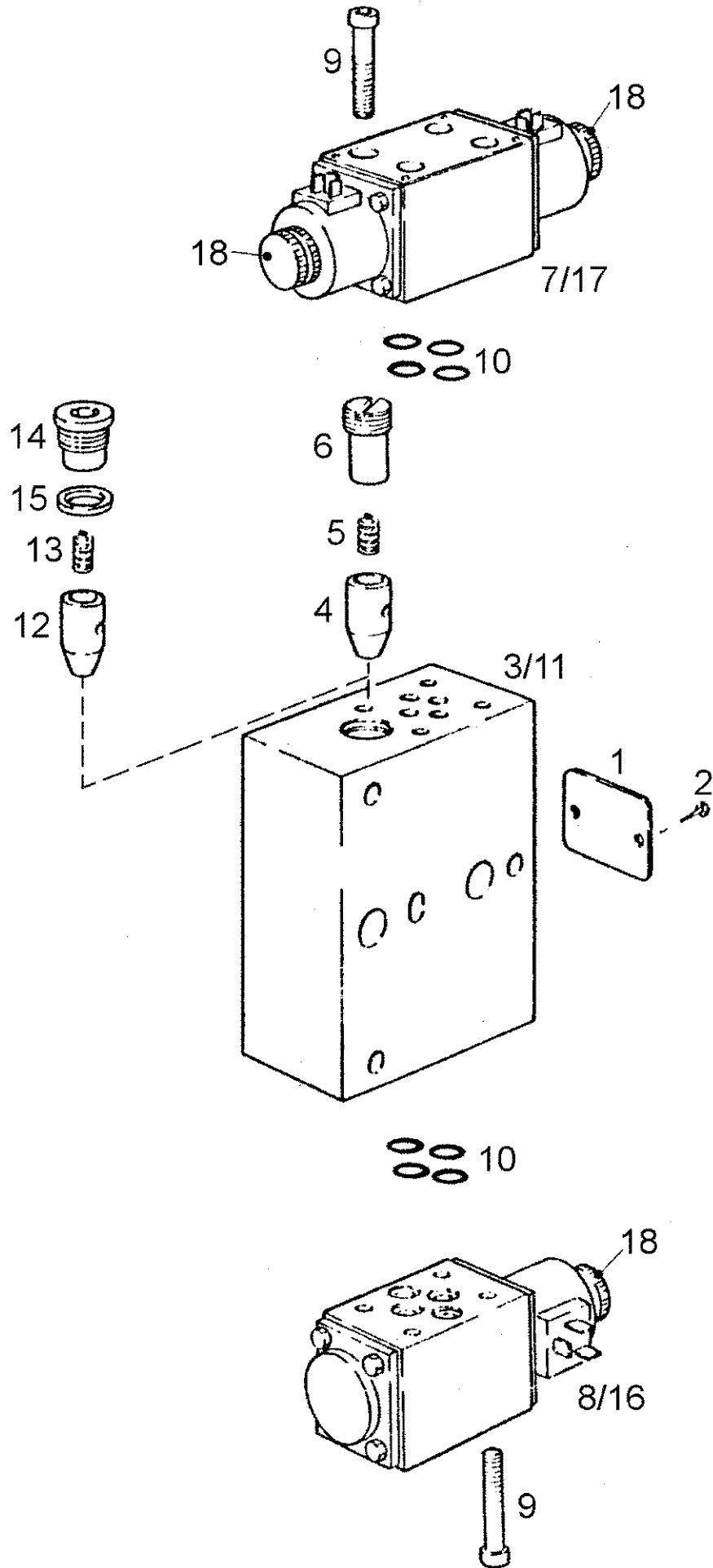
Ref	Onderdeelnummer	Kwt	Beschrijving
	155700730333	1	KONTROLEKLEP,
14	155700730772	1	SUPPORT,
15	190003862310	1	SCHROEF, , M6X12-8.8-A2R
16	190003862316	1	SCHROEF, , M6X16-8.8-A2C
54	155700730704	1	O-RING, , 26x2,5
600	1-32-773-005	1	PLUG,
800	155700730706	1	KIT, GASKET,
801	155700730703	1	SET OF PARTS,
802	155700730774	1	SET OF PARTS,





## 08-26(01) CONTROL VALVE, ELECTR./SINGLE ACTING

Ref	Onderdeelnummer	Kwt	Beschrijving
1	155700730301	1	KONTROLEKLEP, , ---->02760 / Besteht aus/Consists of/Compose de/Bestående af/È composto da 1A, 2, 3A - 6A, 8A, 9A, 10 - 14
1	155700730346	1	KONTROLEKLEP, , 02761---->04549 / Besteht aus/Consists of/Compose de/Bestående af/È composto da 1A, 2, 3B, 4 - 7, 8B, 9A, 10 - 14
1	1-32-373-026	1	KONTROLEKLEP, , 04550----> / Besteht aus/Consists of/Compose de/Bestående af/È composto da 1A - 14
1A	155700733051	1	PEN,
2	155700733047	2	KLINKNAGEL,
3	155700733172	1	VALVE BLOCK,
3A	155700733003	1	VALVE BLOCK,
3B	155700733098	1	VALVE BLOCK,
4	1397730221	1	ZUIGER,
4A	1397730221	1	ZUIGER,
5	1288750061	1	SPRING, COMPRESSION,
5A	1288750061	1	SPRING, COMPRESSION,
6	155700733099	1	SCHROEF,
6A	155700733072	1	PIN, LARGE,
7	190003098020	1	DICHTINGSRING, , A18x22-CU
8	155700753069	1	STOOTLAGER,
8A	155700753048	1	KLEP,
8B	155700753066	1	KLEP,
9	155700753077	1	INZETSTUK,
9A	139900753002	1	VALVE,
9B	1-32-773-101	1	DICHTINGSKIT,
10	190003860243	8	SCHROEF, , M5x45-10.9-A2C
11	139900750052	1	VLINDER,
12	190003934063	1	BOORGVEER, , 17x1
13	1-32-773-095	1	DICHTINGSKIT,
14	1-32-773-094	1	RESERVOIRDOP,

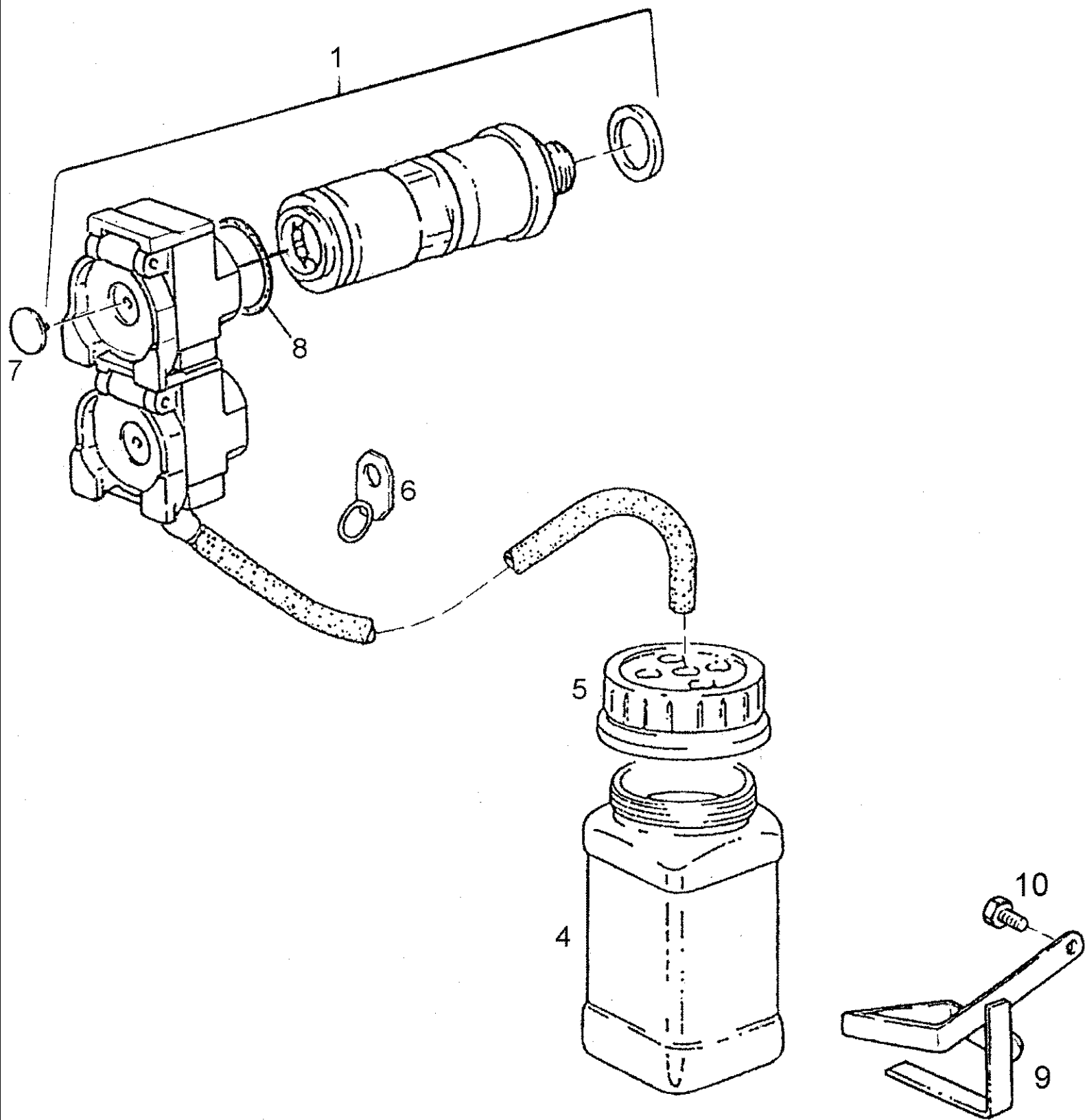


## 08-27(01) CONTROL VALVE, ELECTR./DOUBLE ACTING

Ref	Onderdeelnummer	Kwt	Beschrijving
	155700730302	1	KLEP, , ---->01909 / Besteht aus/Consists of/Compose de/Bestående af/È composto da 1 - 10, 18
	155700730347	1	KONTROLEKLEP, , 01910----> / Besteht aus/Consists of/Compose de/Bestående af/È composto da 1 - 2, 9 - 18
1	155700733051	1	PEN,
2	155700733047	2	KLINKNAGEL,
3	155700733067	1	PLAAT, GROOT,
4	1397730221	1	ZUIGER,
5	1288750061	1	SPRING, COMPRESSION,
6	155700733072	1	PIN, LARGE,
7	155700753050	1	KLEP,
8	155700753049	1	KLEP,
9	190003860243	8	SCHROEF, , M5x45-10.9-A2C
10	1-32-773-095	2	DICHTINGSKIT,
11	155700733126	1	PLAAT, GROOT,
12	1397730221	1	ZUIGER,
13	1288750061	1	SPRING, COMPRESSION,
14	155700733099	1	SCHROEF,
15	190003098020	1	DICHTINGSRING, , A18x22-CU
16	155700753067	1	KLEP,
17	155700753068	1	KLEP,
18	1-32-773-094	3	RESERVOIRDOP,



Ref	Onderdeelnummer	Kwt	Beschrijving
1	155700730303	1	KONTROLEKLEP, , ---->02442; Besteht aus/Consists of/Compose de/Bestående af/È composto da 1A, 2, 3B, 4A - 6A, 8C, 9B, 11B, 12 - 14
1	155700730348	1	KONTROLEKLEP, , 02473 ---->03337; Besteht aus/Consists of/Compose de/Bestående af/È composto da 1A, 2, 3A, 4 - 7, 8B, 9A, 10, 11B, 12 - 14
1	1-32-373-025	1	KONTROLEKLEP, , 03338 ---->; Besteht aus/Consists of/Compose de/Bestående af/È composto da 1A - 7, 8A, 9, 10, 11A, 12 - 14
1	1-32-373-027	1	KONTROLEKLEP, , Ersetzt/Replaces/Remplace/Udskiftet/Sostituisce 1-32-373-025; Besteht aus/Consists of/Compose de/Bestående af/È composto da 1A - 10, 11A, 12 - 14
1	1-32-373-028	1	KONTROLEKLEP, , Ersetzt/Replaces/Remplace/Udskiftet/Sostituisce 1-32-373-027; Besteht aus/Consists of/Compose de/Bestående af/È composto da 1A - 14
1A	155700733051	1	PEN,
2	155700733047	2	KLINKNAGEL,
3	155700733164	1	VALVE BLOCK,
3A	155700733127	1	PLAAT, GROOT,
3B	155700733053	1	PLAAT, GROOT,
4	1397730221	1	ZUIGER,
4A	1397730221	1	ZUIGER,
5	1288750061	1	SPRING, COMPRESSION,
5A	1288750061	1	SPRING, COMPRESSION,
6	155700733099	1	SCHROEF,
6A	155700733072	1	PIN, LARGE,
7	190003098020	1	DICHTINGSRING, , A18x22-CU
8	155700753076	1	STOOTLAGER,
8A	155700753070	1	KLEP,
8B	155700753067	1	KLEP,
8C	155700753049	1	KLEP,
9	155700753071	1	STOOTLAGER,
9A	155700753068	1	KLEP,
9B	155700753050	1	KLEP,
10	155700733057	2	TAPEIND,
11	155700753077	1	INZETSTUK,
11A	155700753072	1	VALVE, CHECK,
11B	139900753002	1	VALVE,
11C	1-32-773-101	1	DICHTINGSKIT,
12	190003860243	8	SCHROEF, , M5X45-10.9-A2C
13	1-32-773-095	2	DICHTINGSKIT,
14	1-32-773-094	3	RESERVOIRDOP,



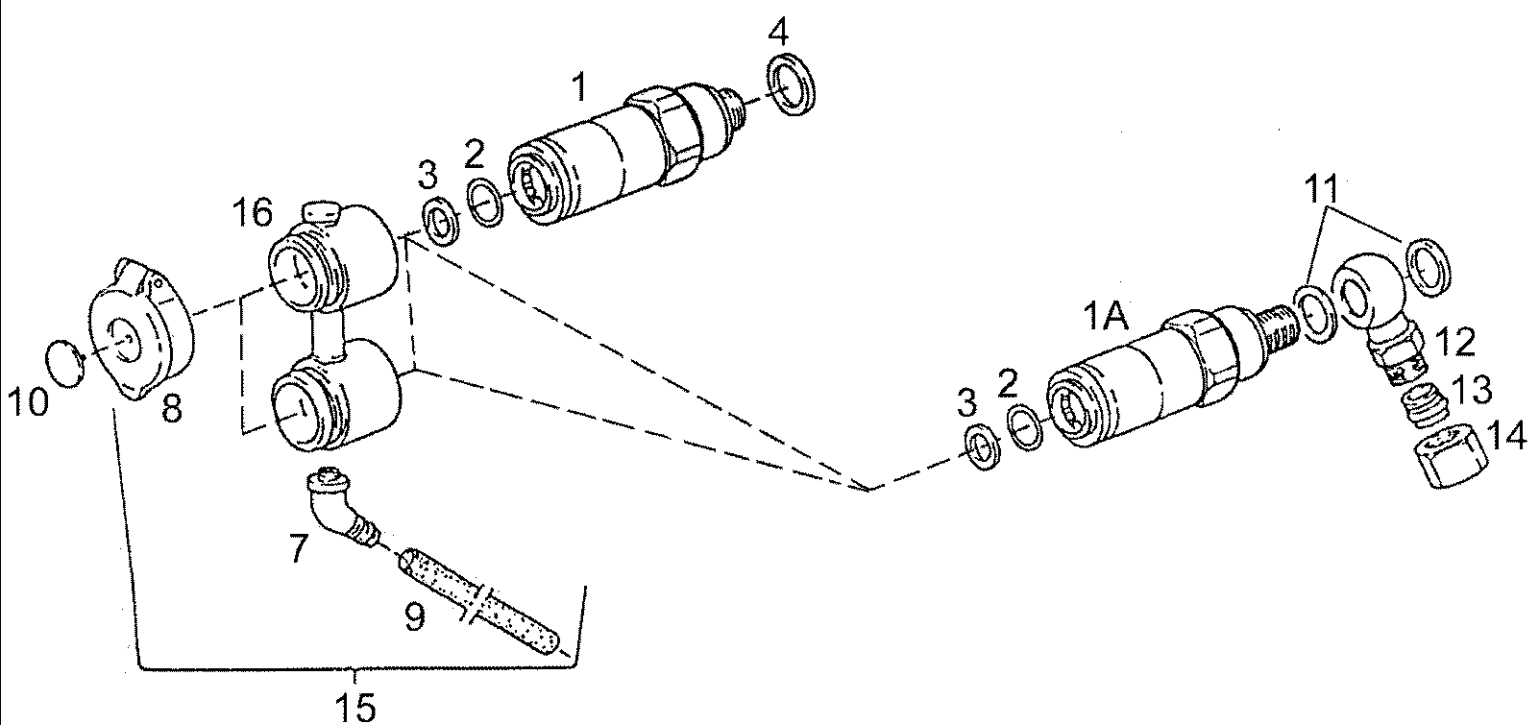
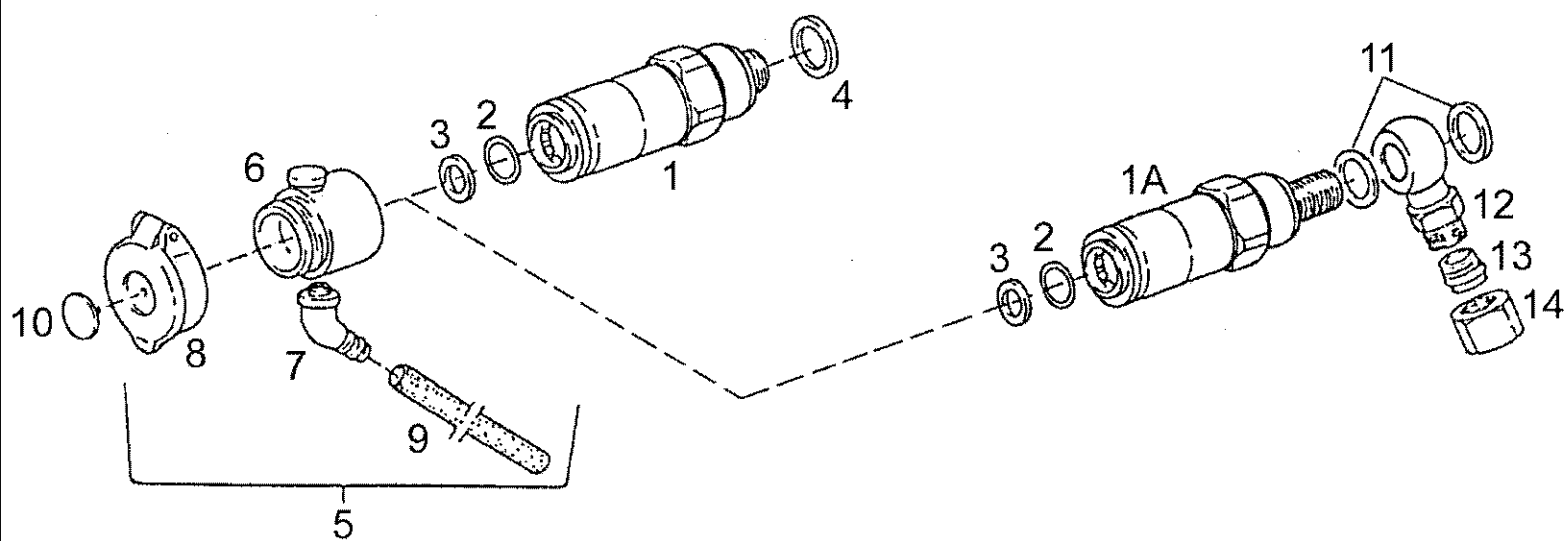
## 08-29(01) CLUTCH SLEEVE AND COLLECTION PAN

Ref	Onderdeelnummer	Kwt	Beschrijving
1	REF	-	INSTRUCTION, , Siehe nächste Seite(n)/See next page(s)/Voir page(s) suivante(s)/Se næste side (r )/Vedere pagin(a/e) seguent(e/i)
4	155700730293	1	RESERVOIR VOOR HYDR. OLI,
5	155700730294	1	DEKSEL,
6	135700730034	1	STEUN,
7	1-32-573-242	2	DRAADKLEM, , Rot/Red/Rouge/Rød/Rosso +
7	1-32-573-252	2	DRAADKLEM, , Rot/Red/Rouge/Rød/Rosso -
7	1-32-573-243	2	KLEM, , Gelb/Yellow/Jaune/Gul/Giallo +
7	1-32-573-253	2	KLEM, , Gelb/Yellow/Jaune/Gul/Giallo -
7	1-32-573-245	2	KLEM, , Blau/Blue/Bleu/Blå/Blu +
7	1-32-573-255	2	KLEM, , Blau/Blue/Bleu/Blå/Blu -
7	1-32-573-246	2	KLEM, , Grün/Green/Vert/Grøn/Verde +
7	1-32-573-256	2	KLEM, , Grün/Green/Vert/Grøn/Verde -
7	1-32-573-247	2	KLEM, , Schwarz/Black/Noir/Sort/Nero +
7	1-32-573-257	2	KLEM, , Schwarz/Black/Noir/Sort/Nero -
7	1-32-573-248	2	KLEM, , Weiss/White/Blanche/Hvid/Bianco +
7	1-32-573-258	2	KLEM, , Weiss/White/Blanche/Hvid/Bianco -
8	1188730158	1/2	O-RING, , 29x3
9	155700730281	1	SUPPORT,
10	120104	1	BOUT, Hex, M8 x 20, 8.8,

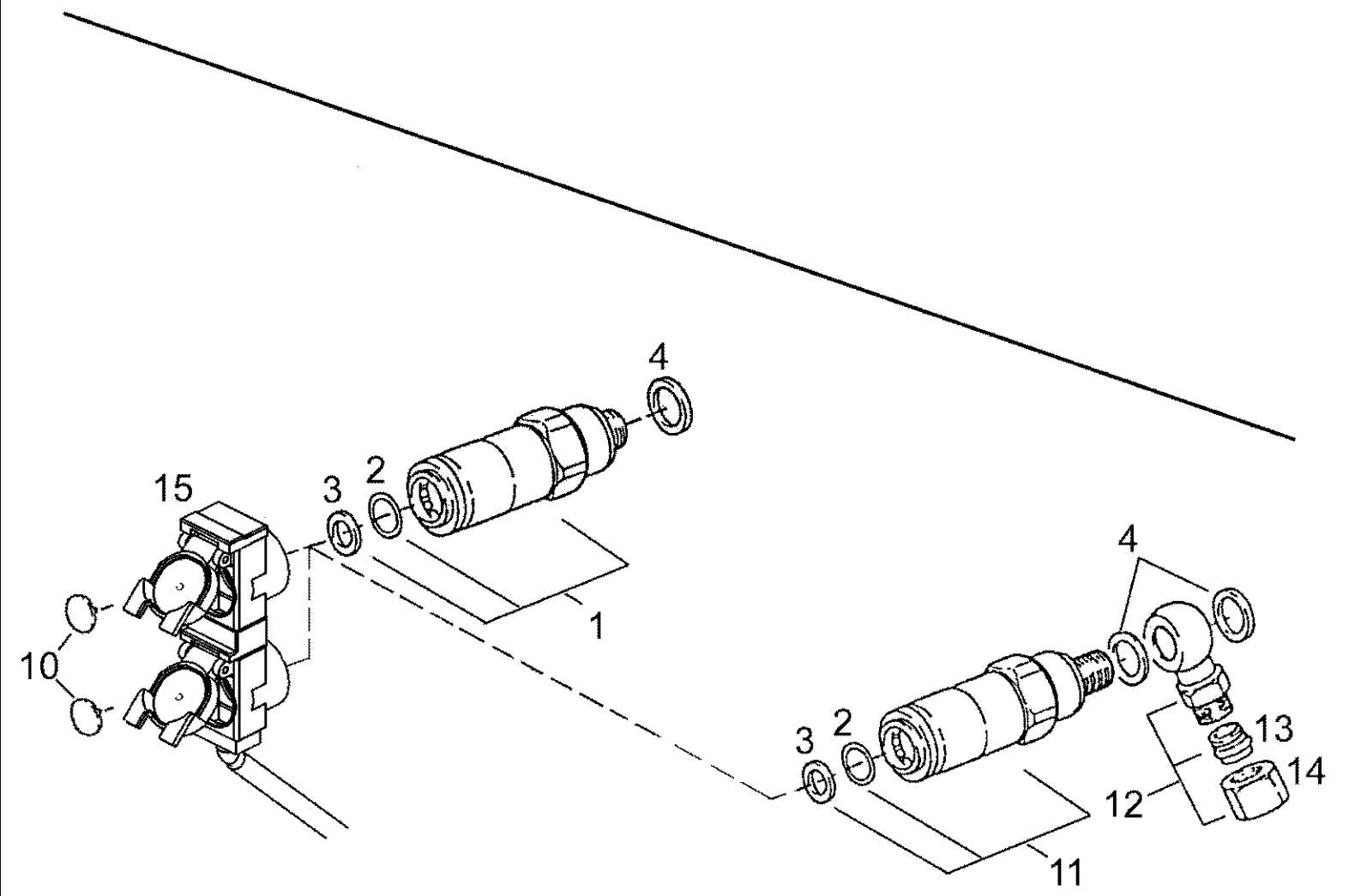
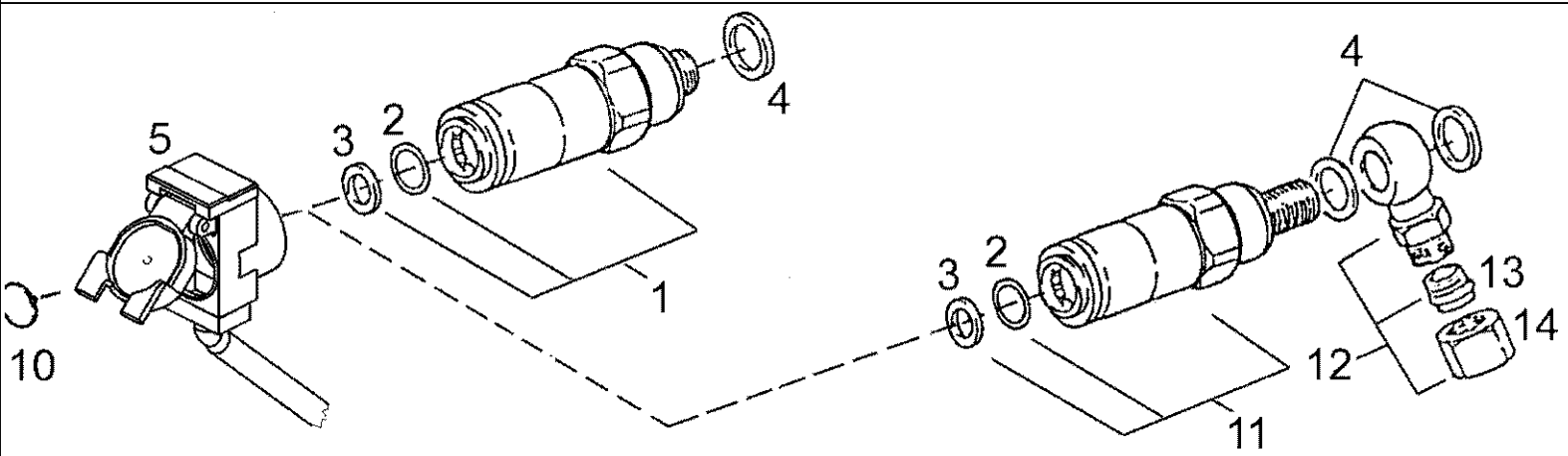




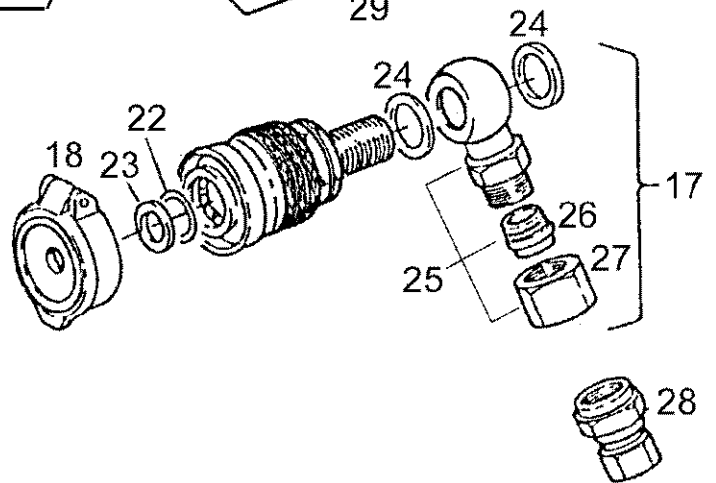
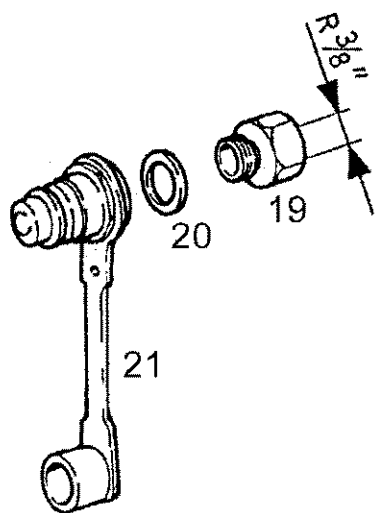
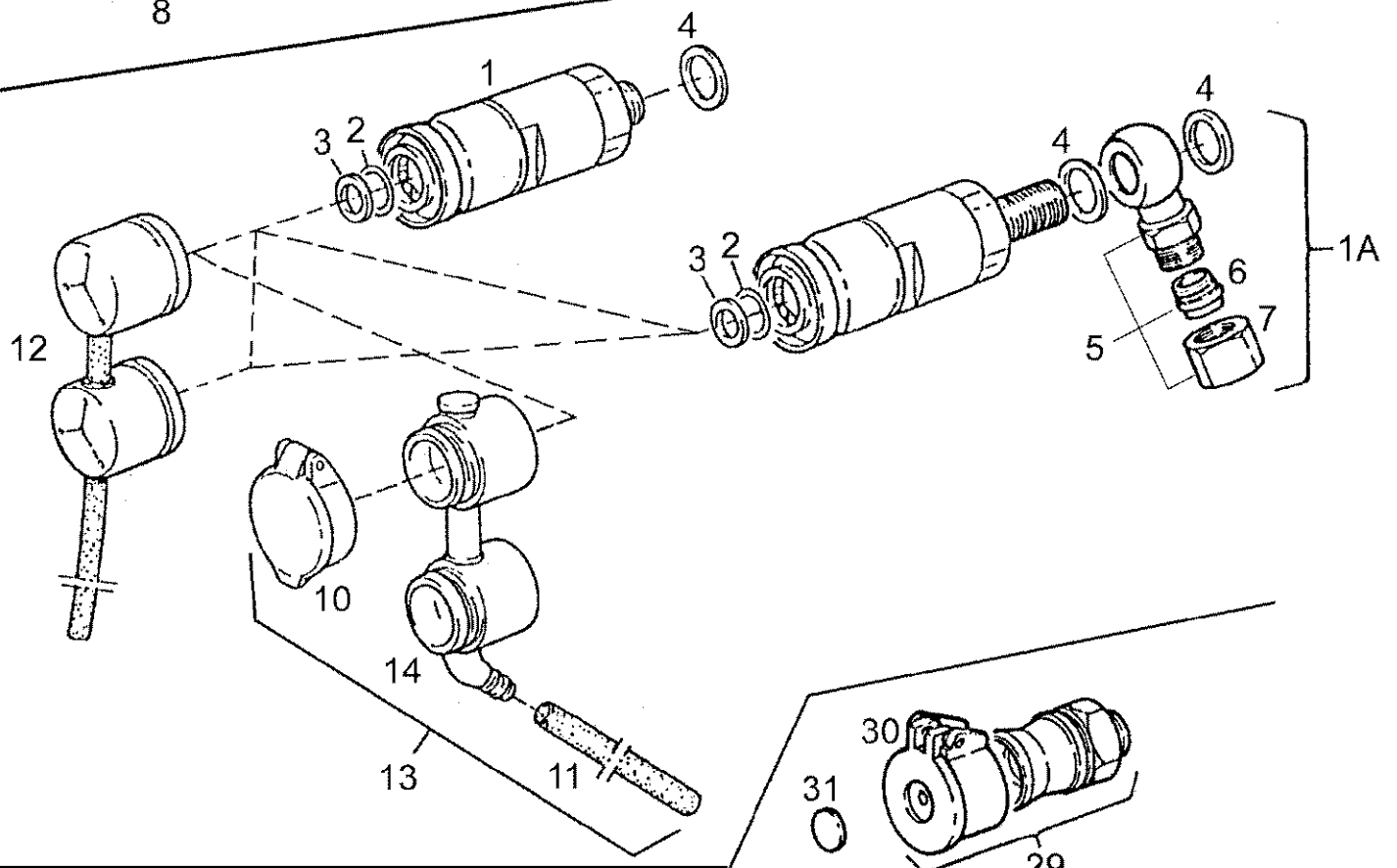
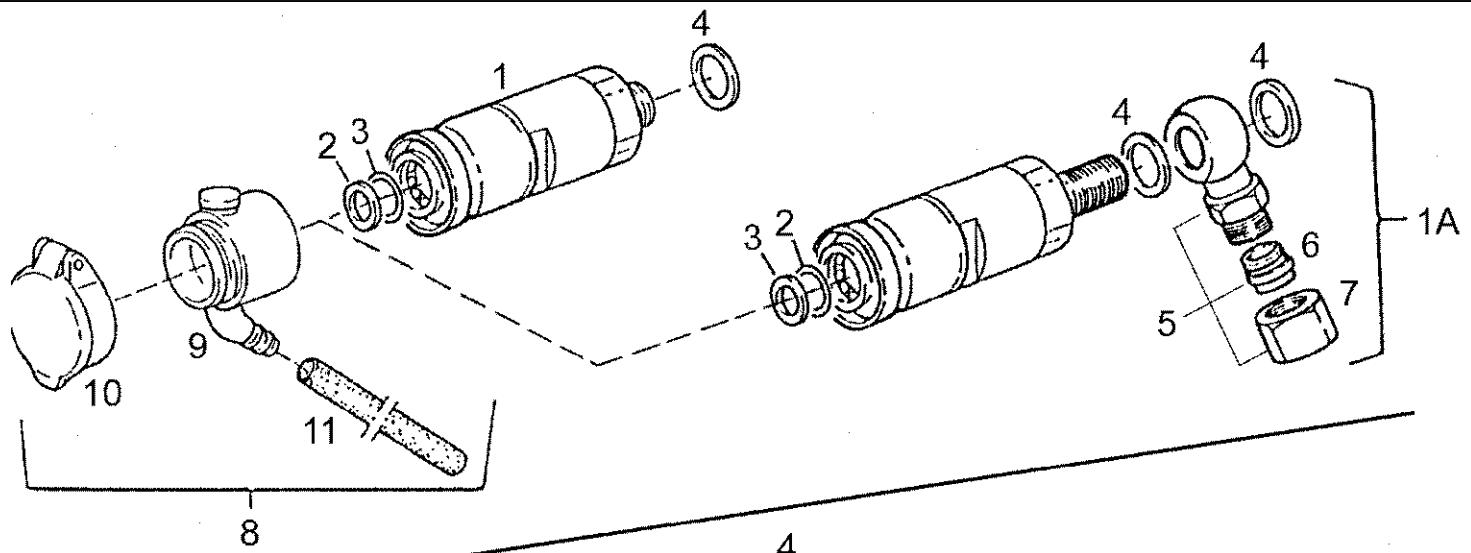
Ref	Onderdeelnummer	Kwt	Beschrijving
1	155700730180	1	COUPLING, BREAK AWAY, , ---->16 08 94; Einschließlich/Includes/Avec/Inklusive/Compreso 2, 3
1A	155700730274	1/2	COUPLING, SPLINED, , 17 08 94 ---->. . . .; Einschließlich/Includes/Avec/Inklusive/Compreso 2A
1B	155700730275	1/2	COUPLING, BREAK AWAY, , Einschließlich/Includes/Avec/Inklusive/Compreso 2A
2	1288730865	1	O-RING, , 20,22x3,53
2A	155700730713	1/2	O-RING, , 20,29x2,62
3	1288730866	1	RING, BACK-UP, , 20,6x26,7x1
4	190003098026	1/2	DICHTINGSRING, , A22x27-CU
5	155700730270	1	PIPE, RETURN, , Besteht aus/Consists of/Compose de/Bestående af/È composto da 6 - 8
6	155700730287	1	LAGERBUS,
7	155700730280	1/2	FLAP,
8	155700730288	1	FLEXIBELE BUIS, , 8x11x800
9	155700730285	1/2	COUPLING, SPLINED, , Besteht aus/Consists of/Compose de/Bestående af/È composto da 1B, 2A, 10, 11
10	190003098026	2/4	DICHTINGSRING, , A22x27-CU
11	155700730284	1/2	VERBINDINGSBOUT, , Einschließlich/Includes/Avec/Inklusive/Compreso 12, 13
12	133700730482	1/2	KEGELVORMIGE SNIJRING,
13	190003559515	1/2	MOER, , AL15
14	155700730273	1	VERDEELSTUK, , Besteht aus/Consists of/Compose de/Bestående af/È composto da 7, 8, 15
15	155700730286	1	PIPE, RETURN,



Ref	Onderdeelnummer	Kwt	Beschrijving
1	155700730350	1/2	COUPLING, BREAK AWAY, , Einschließlich/Includes/Avec/Inklusive/Compreso 3
1A	155700730351	1/2	FITTING, , Einschließlich/Includes/Avec/Inklusive/Compreso 2, 3
2	155700730713	1/2	O-RING, , 20,29x2,62
3	155700730718	1/2	RESERVERING,
4	1-32-273-082	1	DICHTINGSRING, , 22x30-CU
5	1-32-573-211	1	PIPE, RETURN, , Besteht aus/Consists of/Compose de/Bestående af/È composto da 6 - 9
6	1-32-573-074	1/2	LAGERBUS,
7	155700730304	1	VERBINDING,
8	1-32-573-220	1	PLUG,
9	155700730288	1	FLEXIBELE BUIS, , 8x11x800
10	REF	-	INSTRUCTION, , Siehe Seite(n) vorne/See Page(s) before/Voir Page(s) avant/Se side (r ) forrest/Vedere pagin(a/e) precedent(e/i)
11	1-32-273-082	2/4	DICHTINGSRING, , 22x30-CU
12	155700730284	1/2	VERBINDINGSBOUT, , Einschließlich/Includes/Avec/Inklusive/Compreso 13, 14
13	133700730482	1/2	KEGELVORMIGE SNIJRING,
14	190003559515	1/2	MOER, , AL15
15	1-32-573-210	1	BUISJE, , Besteht aus/Consists of/Compose de/Bestående af/È composto da 7 - 9, 16
16	155700730305	1	PIPE, RETURN,

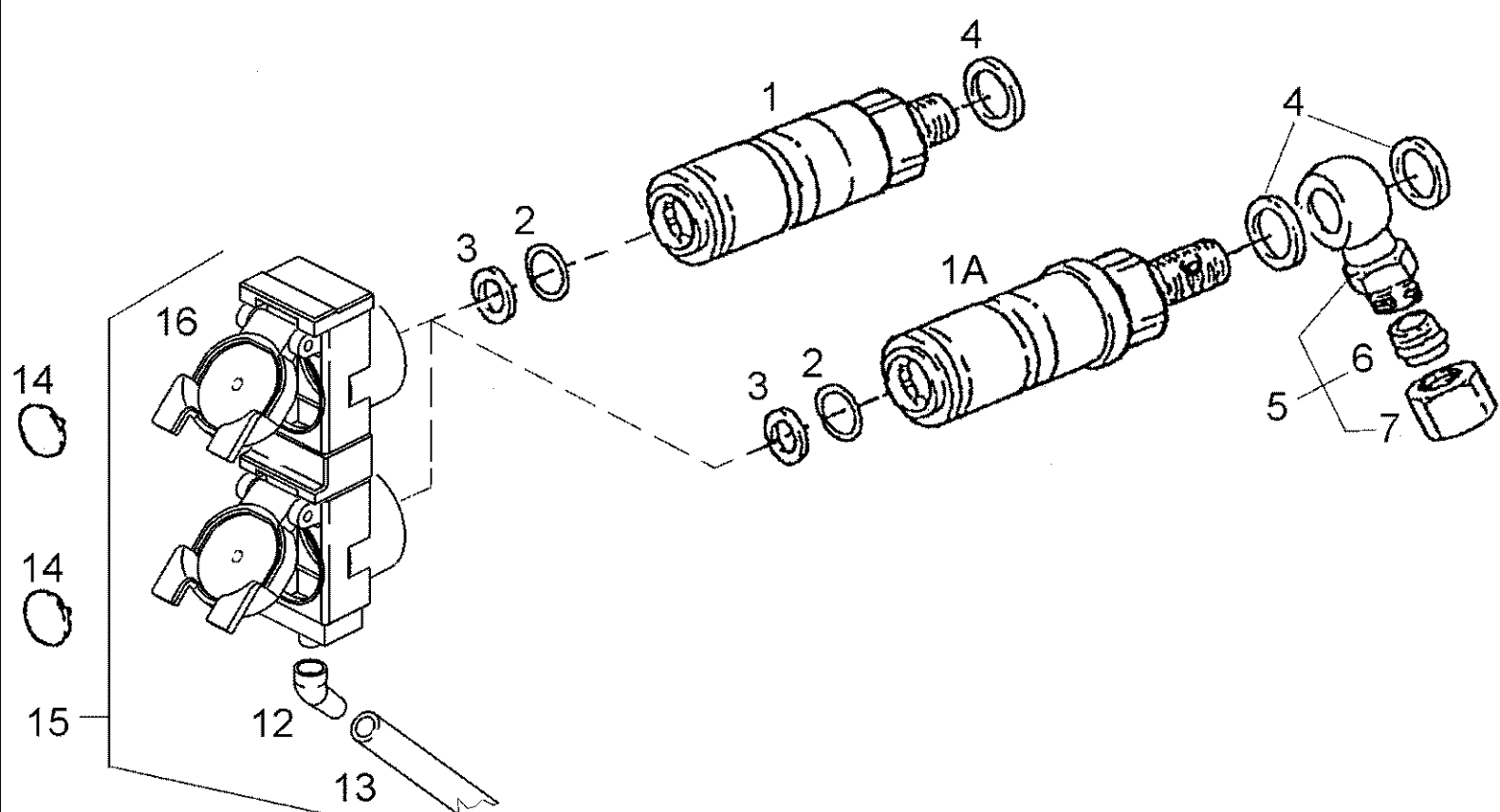
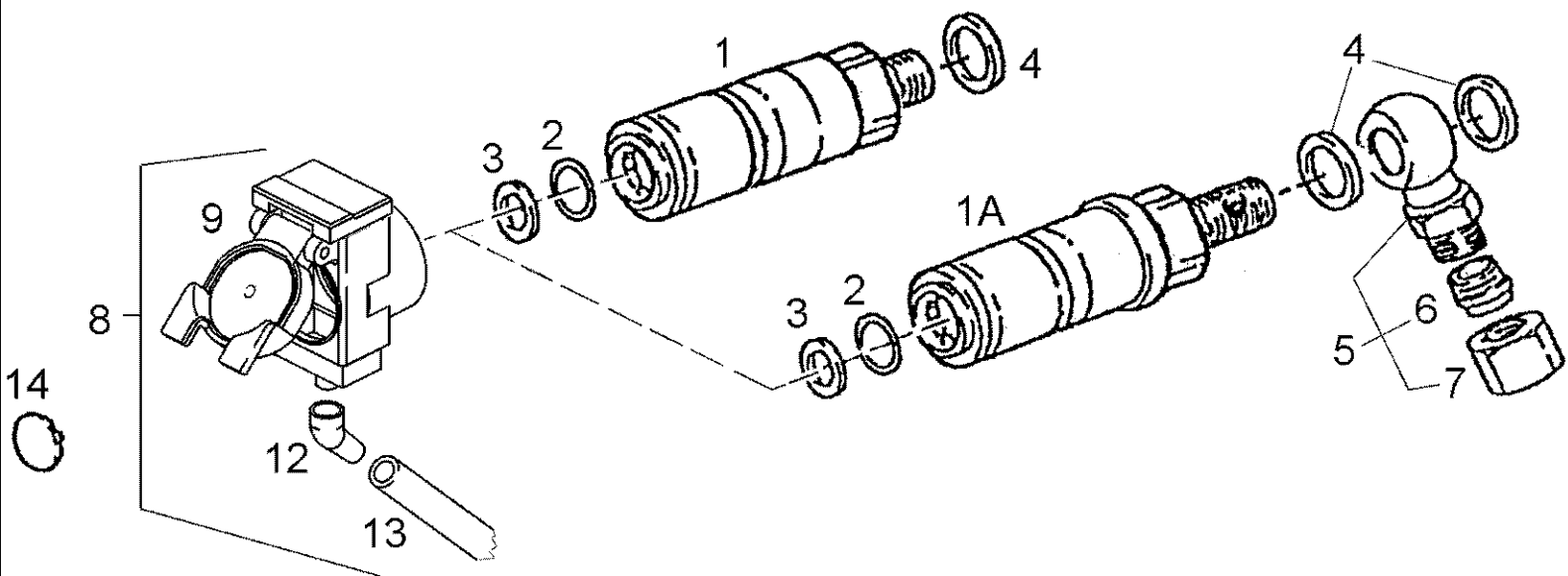


Ref	Onderdeelnummer	Kwt	Beschrijving
1	1-32-373-037	1/2	COUPLING, PUSH-PULL,
2	155700730713	1/2	O-RING, , 20,29x2,62
3	155700730718	1/2	RESERVERING,
4	1-32-273-082	1	DICHTINGSRING, , 22x30-CU
5	1-32-373-232	1	AANSLUITING, , Siehe nächste Seite(n)/See next page(s)/Voir page(s) suivante(s)/Se næste side (r )/Vedere pagin(a/e) sequent(e/i)
10	REF	-	INSTRUCTION, , Siehe Seite(n) vorne/See Page(s) before/Voir Page/s) avant/Se side (r ) forrest/Vedere pagin(a/e) precedent(e/i)
11	1-32-373-038	1/2	COUPLING, PUSH-PULL,
12	155700730284	1/2	VERBINDINGSBOUT,
13	133700730482	1/2	KEGELVORMIGE SNIJRING,
14	190003559515	1/2	MOER, , AL15
15	1-32-373-233	1	KAST, , Siehe nächste Seite(n)/See next page(s)/Voir page(s) suivante(s)/Se næste side (r )/Vedere pagin(a/e) sequent(e/i)

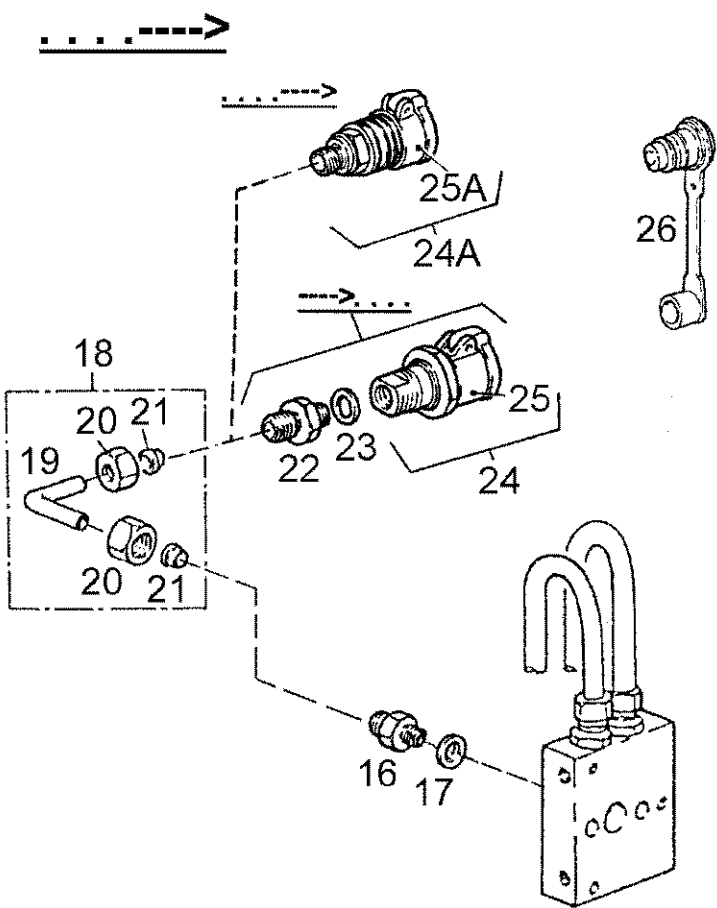
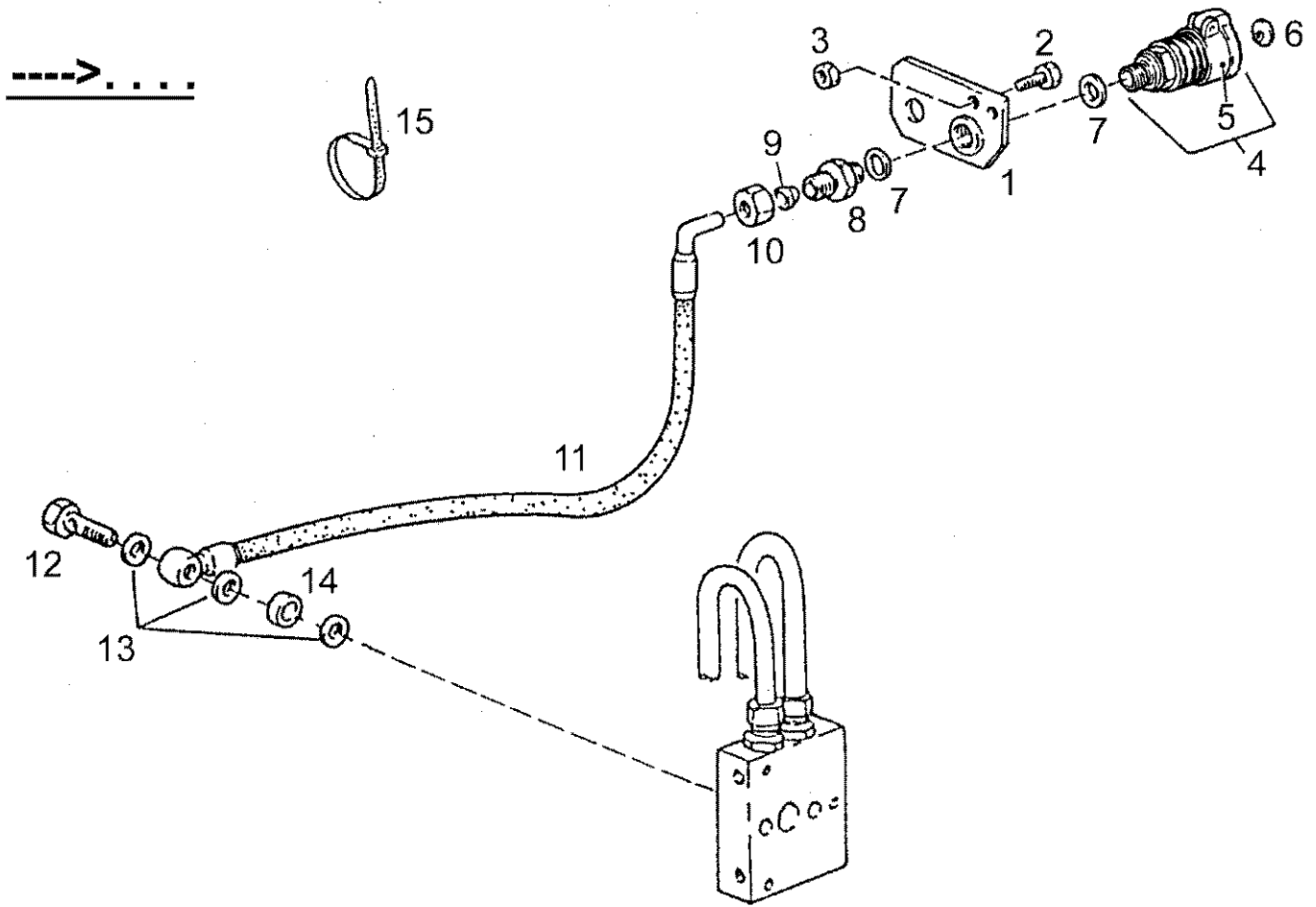


Ref	Onderdeelnummer	Kwt	Beschrijving
1	155700730179	1/2	COUPLING, BREAK AWAY, , Besteht aus/Consists of/Compose de/Bestående af/È composto da 2 - 3
1A	155700730181	1/2	COUPLING, BREAK AWAY, , Besteht aus/Consists of/Compose de/Bestående af/È composto da 2 - 7
2	1288730865	1/2	O-RING, , 20,22x3,53
3	1288730866	1/2	RING, BACK-UP, , 20,6x26,7x1
4	190003098026	2/4	DICHTINGSRING, , A22x27-CU
5	155700730284	1/2	VERBINDINGSBOUT, , Einschließlich/Includes/Avec/Inklusive/Compreso 6, 7
6	133700730482	1/2	KEGELVORMIGE SNIJRING,
7	190003559515	1/2	MOER, , AL15
8	155700730270	1/2	PIPE, RETURN, , Besteht aus/Consists of/Compose de/Bestående af/È composto da 9 - 11
9	155700730287	1/2	LAGERBUS,
10	155700730280	1/2	FLAP,
11	155700730288	1/2	FLEXIBELE BUIS, , 8x11x800
12	155700730183	1/2	COCK, DRAIN, , ---->. . . .
13	155700730273	1/2	VERDEELSTUK, , . . . ---->; Besteht aus/Consists of/Compose de/Bestående af/È composto da 10, 11, 14
14	155700730286	1/2	PIPE, RETURN,
17	155700730138	1	COUPLING, SPLINED, , Besteht aus/Consists of/Compose de/Bestående af/È composto da 18, 22 - 27
18	155700730715	1	FLAP,
19	133700730075	1	RESTRICTOR,
20	190003098026	1	DICHTINGSRING, , A22x27-CU
21	1288730249	1	COUPLING, SPLINED,
22	1288730865	1/2	O-RING, , 20,22x3,53
23	1288730866	1/2	RING, BACK-UP, , 20,6x26,7x1
24	190003098026	2/4	DICHTINGSRING, , A22x27-CU
25	155700730284	1/2	VERBINDINGSBOUT, , Einschließlich/Includes/Avec/Inklusive/Compreso 26, 27
26	133700730482	1/2	KEGELVORMIGE SNIJRING,
27	190003559515	1/2	MOER, , AL15
28	133700732205	1	RESTRICTOR,
29	1-32-373-175	1	SNELKOPPELING, , Einschließlich/Includes/Avec/Inklusive/Compreso 30
30	1-32-373-173	1	PLUG,
31	REF	-	INSTRUCTION, , Siehe Seite(n) vorne/See Page(s) before/Voir Page(s) avant/Se side (r ) forrest/Vedere pagin(a/e) precedent(e/i)

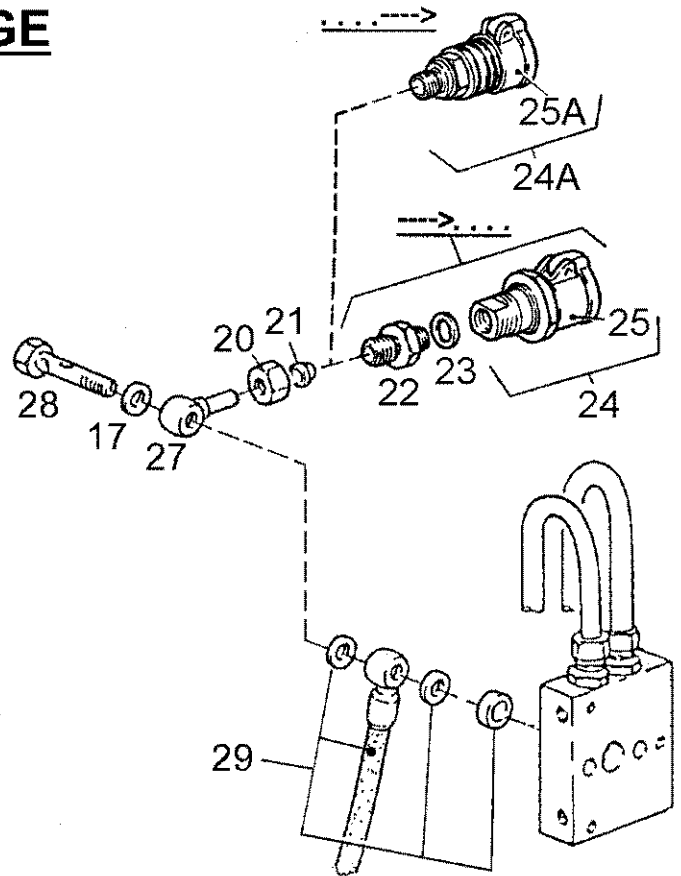




Ref	Onderdeelnummer	Kwt	Beschrijving
1	1-32-273-083	1/2	SNELKOPPELING, , Einschließlich/Includes/Avec/Inklusive/Compreso 2, 3
1A	1-32-273-084	1/2	COUPLING, PUSH-PULL, , Einschließlich/Includes/Avec/Inklusive/Compreso 2, 3
2	1-32-773-038	1/2	O-RING, , 20,29x2,62
3	1-32-773-037	1/2	RESERVERING,
4	1-32-273-082	1/2	DICHTINGSRING, , 22x30-CU
5	155700730284	1/2	VERBINDINGSBOUT,
6	133700730482	1/2	KEGELVORMIGE SNIJRING,
7	190003559515	1/2	MOER, , AL15
8	1-32-373-232	1/2	AANSLUITING, , Besteht aus/Consists of/Compose de/Bestående af/È composto da 9 - 12
9	1-32-373-034	1	KAST, , Besteht aus/Consists of/Compose de/Bestående af/È composto da 10, 11
12	155700730304	1	VERBINDING,
13	1-32-373-220	1	FLEXIBELE BUIS, , 8x11x800
14	REF	-	INSTRUCTION, , Siehe Seite(n) vorne/See Page(s) before/Voir Page(s) avant/Se side (r ) forrest/Vedere pagin(a/e) precedent(e/i)
15	1-32-373-233	1/2	KAST, , Besteht aus/Consists of/Compose de/Bestående af/È composto da 12, 13, 16
16	1-32-373-039	1	KAST,

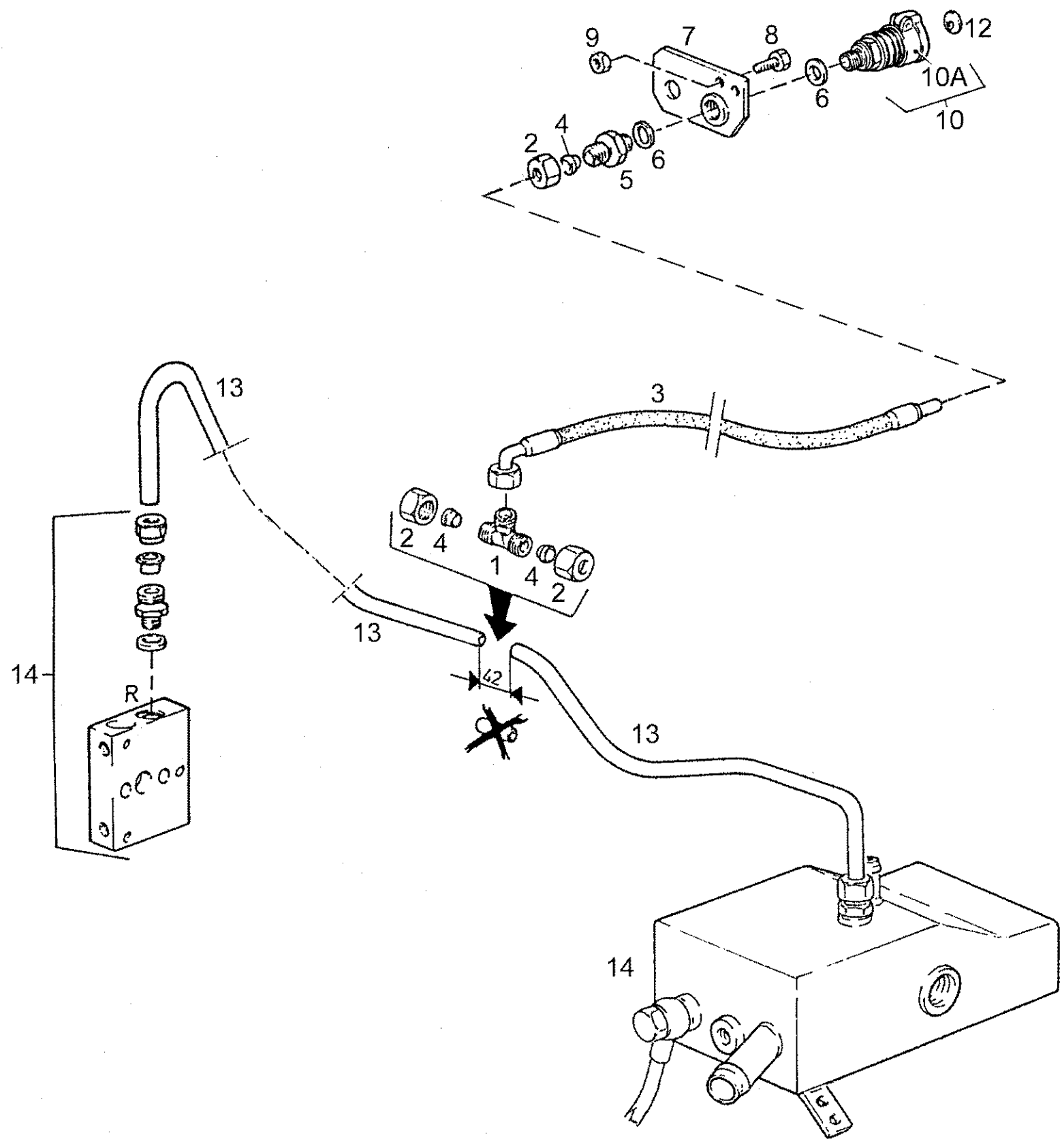


**EGE**



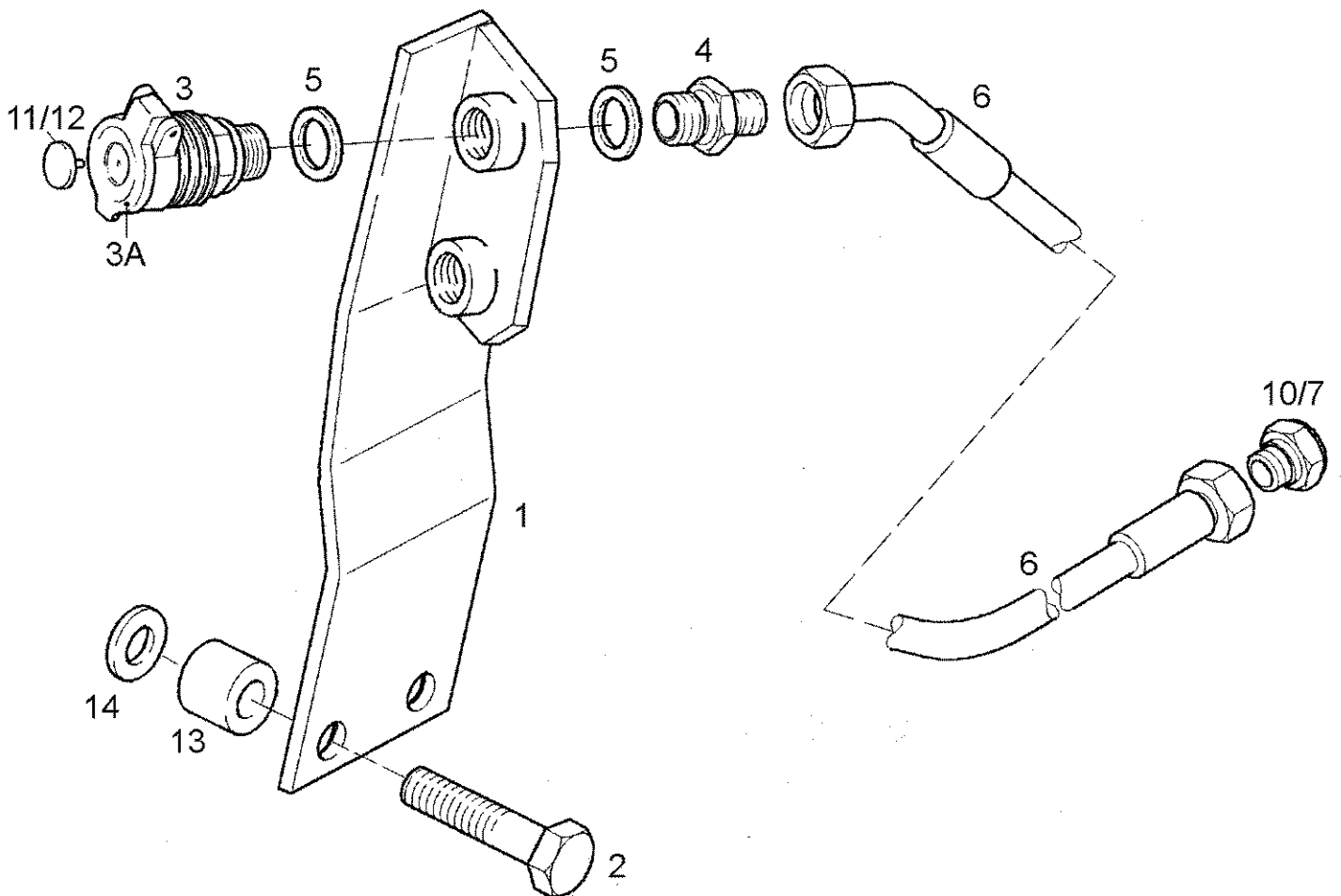
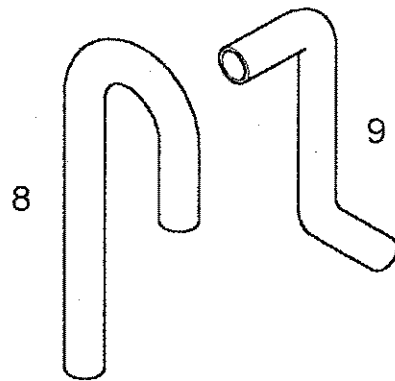
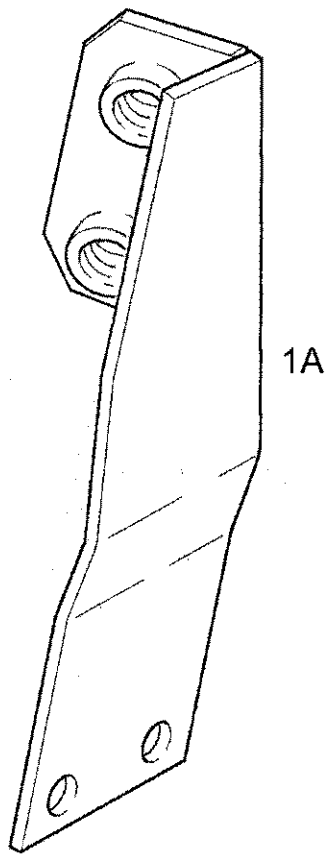
## 08-35(01) PRESSURELESS RETURN

Ref	Onderdeelnummer	Kwt	Beschrijving
1	133700730478	1	GUIDE, LEVERS,
2	120104	2	BOUT, Hex, M8 x 20, 8.8,
3	43362	2	MOER, M8, CI 10,
4	1-32-373-175	4	SNELKOPPELING, , Einschließlich/Includes/Avec/Inklusive/Compreso 5
5	1-32-373-173	4	PLUG,
6	1-32-573-218	1	KNOP, , Weiss/White/Blanche/Hvid/Bianco
7	190003098026	1/1	DICHTINGSRING, , A22x27-CU
8	180327030007	1	MOER VOOR BUIZEN, , M22x1,5/M22x1,5
9	190003559562	1	TONNETJE, , L15
10	190003559515	1	MOER, , AL15
11	133700730480	1	FLEXIBELE BUIS,
12	190003962633	1	VIJZELSCHROEF, , 15-S
13	190003098020	3	DICHTINGSRING, , A18x22-CU
14	133700472001	1	RESERVERING, , 18x25; 7
15	190003170283	2	BUISKLEM, , A8x280 / K04
16	190003559494	1	VERBINDING, , L15A-M
17	190003098020	1/1	DICHTINGSRING, , A18x22-CU
18	133700732564	1	PIPE, RETURN, , Besteht aus/Consists of/Compose de/Bestående af/È composto da 19 - 21
19	NSS	-	NIET ALLEEN VERKRIJGBAAR,
20	190003559515	2/1	MOER, , AL15
21	190003559562	2/1	TONNETJE, , L15
22	180327030007	1/1	MOER VOOR BUIZEN, , M22x1,5/M22x1,5
23	190003098026	1/1	DICHTINGSRING, , A22x27-CU
24	135700730218	1/1	COUPLING, SPLINED, , ---->. . . .; Einschließlich/Includes/Avec/Inklusive/Compreso 25
25	155700730710	1/1	COVER,
24A	1-32-373-175	4	SNELKOPPELING, , . . . .---->; Einschließlich/Includes/Avec/Inklusive/Compreso 25A
25A	1-32-373-173	4	PLUG,
26	1288730249	1/1	COUPLING, SPLINED,
27	133700732506	1	BUSHING, LARGE,
28	1-35-127-040	1	VIJZELSCHROEF,
29	REF	-	INSTRUCTION, , Siehe nächste Seite(n)/See next page(s)/Voir page(s) suivante(s)/Se næste side (r )/Vedere pagin(a/e) sequent(e/i)



Ref	Onderdeelnummer	Kwt	Beschrijving
1	190003559954	1	FITTING,
2	190003559515	3	MOER, , AL15
3	1397470158	1	FLEXIBELE BUIS,
4	190003559562	3	TONNETJE, , L15
5	180327030007	1	MOER VOOR BUIZEN, , M22x1,5/M22x1,5
6	190003098026	1/1	DICHTINGSRING, , A22x27-CU
7	133700730478	1	GUIDE, LEVERS,
8	120104	2	BOUT, Hex, M8 x 20, 8.8,
9	43362	2	MOER, M8, CI 10,
10	1-32-373-175	4	SNELKOPPELING, , Einschließlich/Includes/Avec/Inklusive/Compreso 10A
10A	1-32-373-173	4	PLUG,
12	1-32-573-218	1	KNOP, , Weiss/White/Blanche/Hvid/Bianco
13	133700732474	1	PIPE, RETURN,
14	REF	-	INSTRUCTION, , Siehe Seite(n) vorne/See Page(s) before/Voir Page/s) avant/Se side (r ) forrest/Vedere pagin(a/e) precedent(e/i)

08-37(01) HYDRAULIC COUPLINGS, FRONT

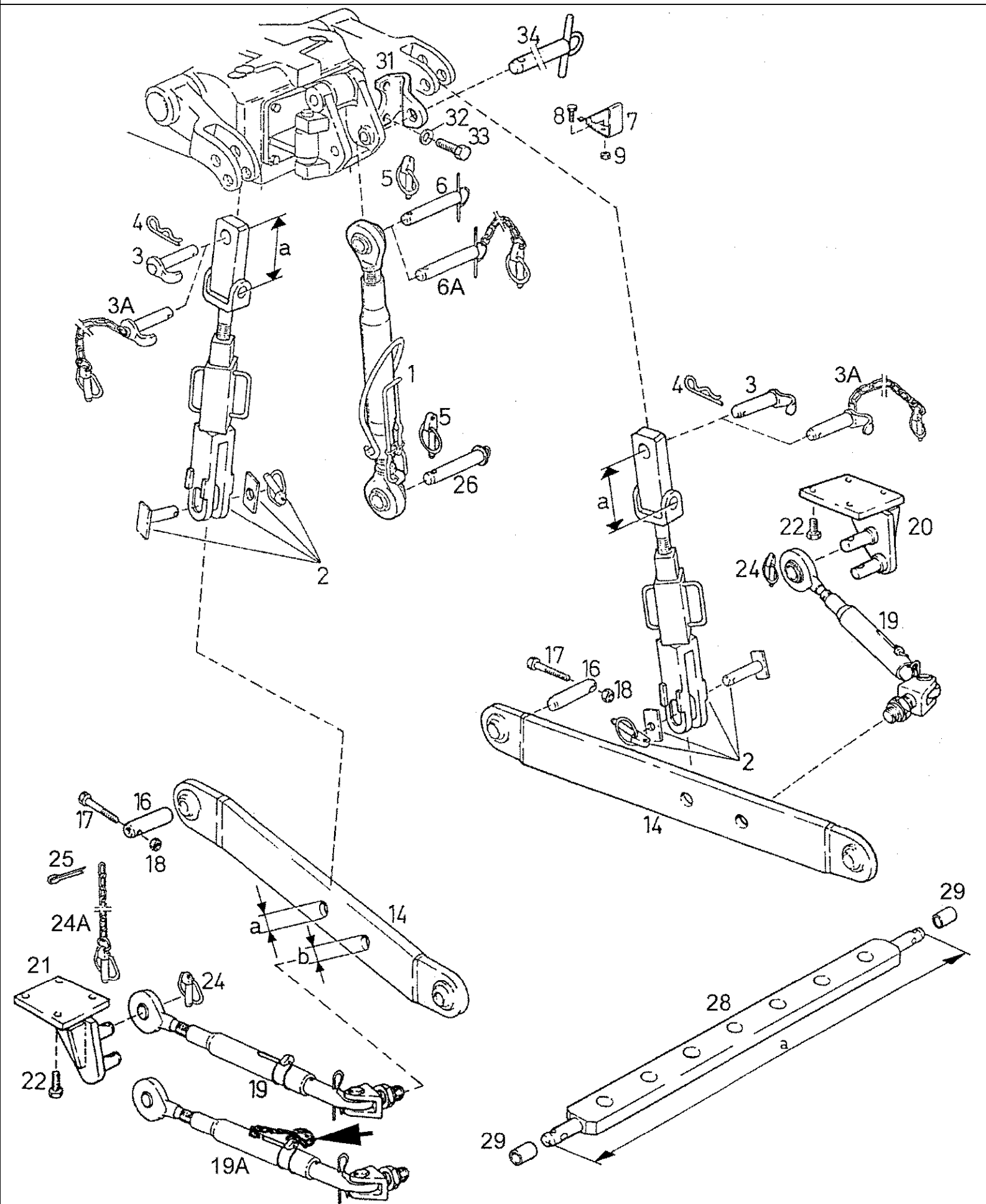


## 08-37(01) HYDRAULIC COUPLINGS, FRONT

Ref	Onderdeelnummer	Kwt	Beschrijving
1	1-35-195-136	1	STEUNBEUGEL, , Links/Left/Gauche/Venstre/Sinistro
1A	1-35-195-135	1	STEUNBEUGEL, , Rechts/Right/Droit/Højre/Destra
2	190003802861	2	SCHROEF, , M16x70-8.8
2	190003800836	2	SCHROEF, , M16X60-8.8
3	1-32-373-175	4	SNELKOPPELING, , Einschließlich/Includes/Avec/Inklusive/Compreso 3A
3A	1-32-373-173	4	PLUG,
4	190003559948	4	FITTING, , A12M22x1,5-A3C
5	190003098026	8	DICHTINGSRING, , A22x27-CU
6	1-35-195-145	4	HOSE ASSY., , NW10 2-STL
7	1-35-195-144	2	FITTING, , 15L/12L
8	1-35-195-140	2	OPVULPIJP,
9	1-35-195-143	2	OPVULPIJP,
10	133700732205	2	RESTRICTOR,
11	1-32-573-215	4	AFDICHTKNOP, , Blau/Blue/Bleu/Blå/Blu
12	1-32-573-218	4	KNOP, , Weiss/White/Blanche/Hvid/Bianco
13	1-32-173-061	4	LAGERBUS,
14	190003930301	10	SLUITRING, , A17



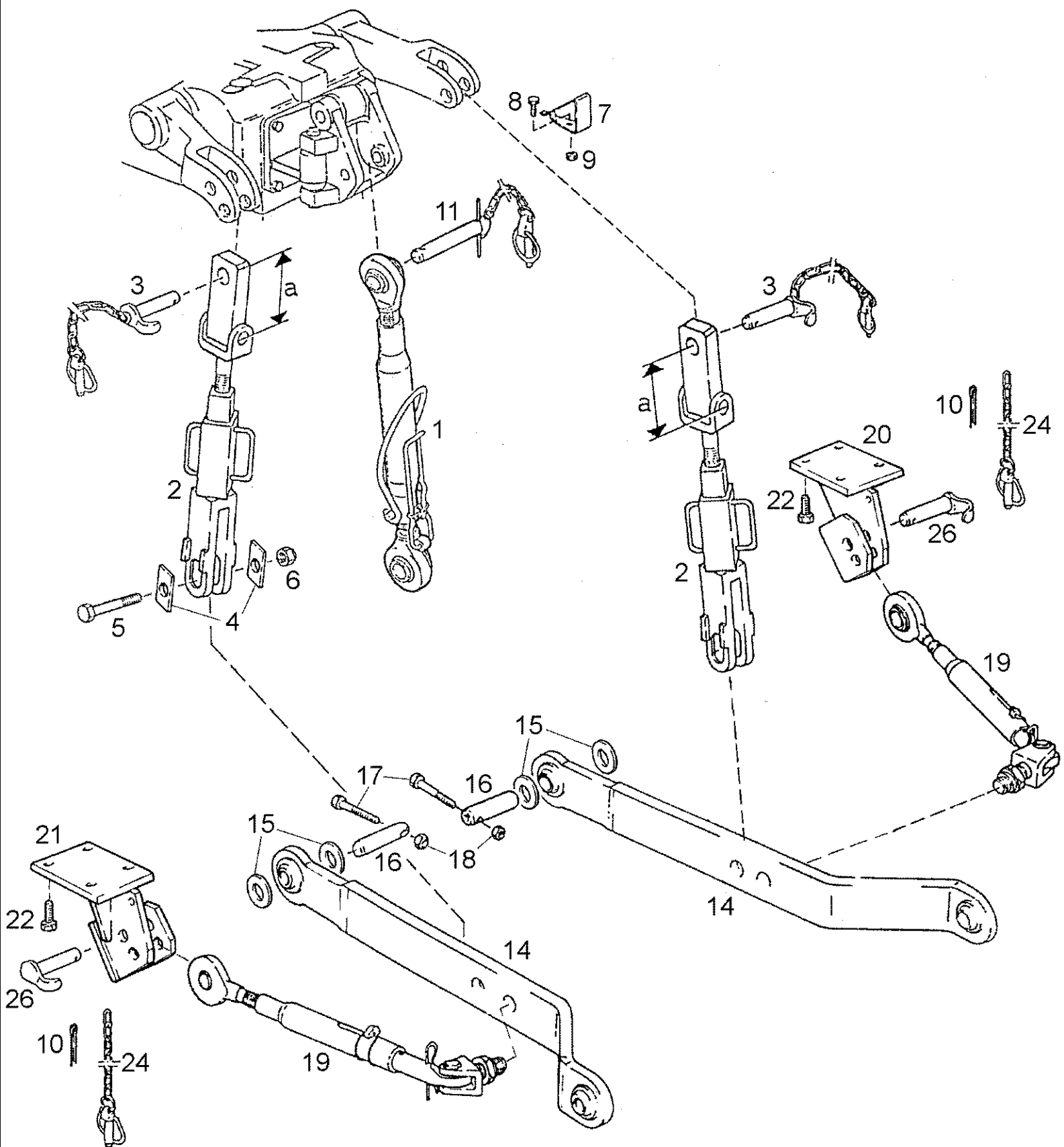
08-38(01) POWER LIFT LINKAGE



## 08-38(01) POWER LIFT LINKAGE

Ref	Onderdeelnummer	Kwt	Beschrijving
1	1-32-274-025	1	LINK, UPPER, , Siehe nächste Seite(n)/See next page(s)/Voir page(s) suivante(s)/Se næste side (r )/Vedere pagin(a/e) seguent(e/i)
2	133700740205	2	TRESTLE, , a = 75mm / ---->01576; Siehe nächste Seite(n)/See next page(s)/Voir page(s) suivante(s)/Se næste side (r )/Vedere pagin(a/e) seguent(e/i)
2	133700740290	2	ROD, LIFTING, , a = 105mm / 01577---->; Siehe nächste Seite(n)/See next page(s)/Voir page(s) suivante(s)/Se næste side (r )/Vedere pagin(a/e) seguent(e/i)
2	133700740295	2	ROD, LIFTING, , a = 105mm; Ersetzt/Replaces/Remplace/Udskiftet/Sostituisce 133700740290
3	1292740148	2	PIN, LARGE,
3A	1-32-274-015	2	BOLT, SPECIAL,
4	1192740022	2	VEER,
5	180740235	1	PIN, LARGE,
6	135700930064	1	PIN, LARGE,
6A	133700740296	1	PIN, LARGE,
7	135700740089	1	VEER,
8	43138	1	BOUT, Hex, M10 x 20, 8.8, Full Thd,
9	100016	1	MOER, M10, CI 8,
14	133700740231	2	LINK, UPPER, , ---->02143
14	133700740310	2	LINK, UPPER, , 02144 ---->
16	1395740232	2	PIN, PIVOT,
17	190003862556	2	SCHROEF, , M10x65-8.8
18	190003888452	2	MOER, , VM10-8
19	133700740280	2	STEM, , Siehe nächste Seite(n)/See next page(s)/Voir page(s) suivante(s)/Se næste side (r )/Vedere pagin(a/e) seguent(e/i)
19A	133700740315	2	STAY, , Ersetzt/Replaces/Remplace/Udskiftet/Sostituisce 133700740280
20	1-32-274-002	1	HOUDER, , Rechts/Right/Droit/Højre/Destra
21	1-32-274-003	1	HOUDER, , Links/Left/Gauche/Venstre/Sinistro
22	280854	8	BOUT, Hex, M14 x 35, 8.8, Full Thd, , M14x35-8.8
24	1397740243	2/2	PIN, LARGE,
24A	1397740242	2/2	PIN, LINCH,
25	190003920511	2	SPLITPEN, , 6,3x32
28	1397740220	1	TREKBOOM, , Kat.2; L = 965mm
28	133700740051	1	TREKBOOM, , Kat.1; L = 823mm
29	1190740090	2	LAGER,KOPPELING DRUKPLAA,
31	135700730250	1	VERGRENDELING,
32	190003930282	2	SCHIJF, , A13
33	190003803680	2	SCHROEF, , M12x1,5x55-10.9
34	1-32-273-260	1	PEN,

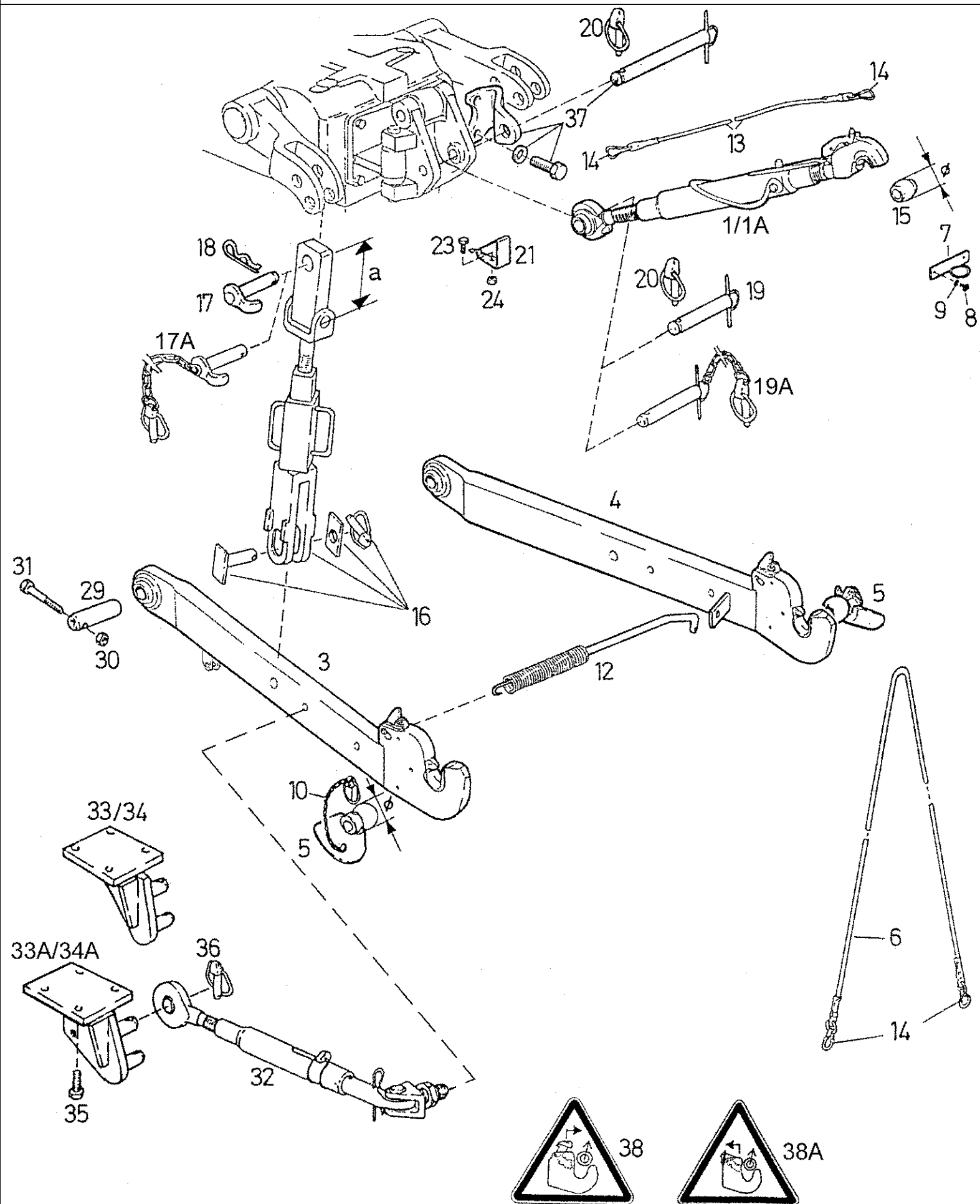
08-39(01) POWER LIFT LINKAGE



## 08-39(01) POWER LIFT LINKAGE

Ref	Onderdeelnummer	Kwt	Beschrijving
1	1-32-274-025	1	LINK, UPPER, , Ersetzt/Replaces/Remplace/Udskiftet/Sostituisce 133700740211 - Siehe nächste Seite(n)/See next page(s)/Voir page(s) suivante(s)/Se næste side (r )/Vedere pagin(a/e) sequent(e/i)
2	1-32-274-010	2	ROD, LIFTING, , Siehe nächste Seite(n)/See next page(s)/Voir page(s) suivante(s)/Se næste side (r )/Vedere pagin(a/e) sequent(e/i)
3	1-32-274-015	2	BOLT, SPECIAL,
4	1-32-274-005	4	BORGPLAAT,
5	190003801102	2	SCHROEF, , M27x110-10.9
6	190003880206	2	MOER, , VM27-10-A3C
7	135700740089	1	VEER,
8	43138	1	BOUT, Hex, M10 x 20, 8.8, Full Thd,
9	100016	1	MOER, M10, CI 8,
10	190003920511	2	SPLITPEN, , 6,3x32
11	133700740296	1	PIN, LARGE,
14	1-32-274-001	2	HEFBOOM,
15	190003935031	4	SCHIJF,
16	1395740232	2	PIN, PIVOT,
17	190003862556	2	SCHROEF, , M10x65-8.8
18	190003888452	2	MOER, , VM10-8
19	133700740315	2	STAY, , Siehe nächste Seite(n)/See next page(s)/Voir page(s) suivante(s)/Se næste side (r )/Vedere pagin(a/e) sequent(e/i)
20	1-32-174-005	1	STEUNBEUGEL, , Rechts/Right/Droit/Højre/Destra
21	1-32-174-001	1	STEUNBEUGEL, , Links/Left/Gauche/Venstre/Sinistro
22	280854	8	BOUT, Hex, M14 x 35, 8.8, Full Thd, , M14x35-8.8
24	1397740242	2/2	PIN, LINCH,
26	1-32-174-006	2	PIN, CROSS,

08-40(01) POWER LIFT LINKAGE WITH QUICK COUPLER

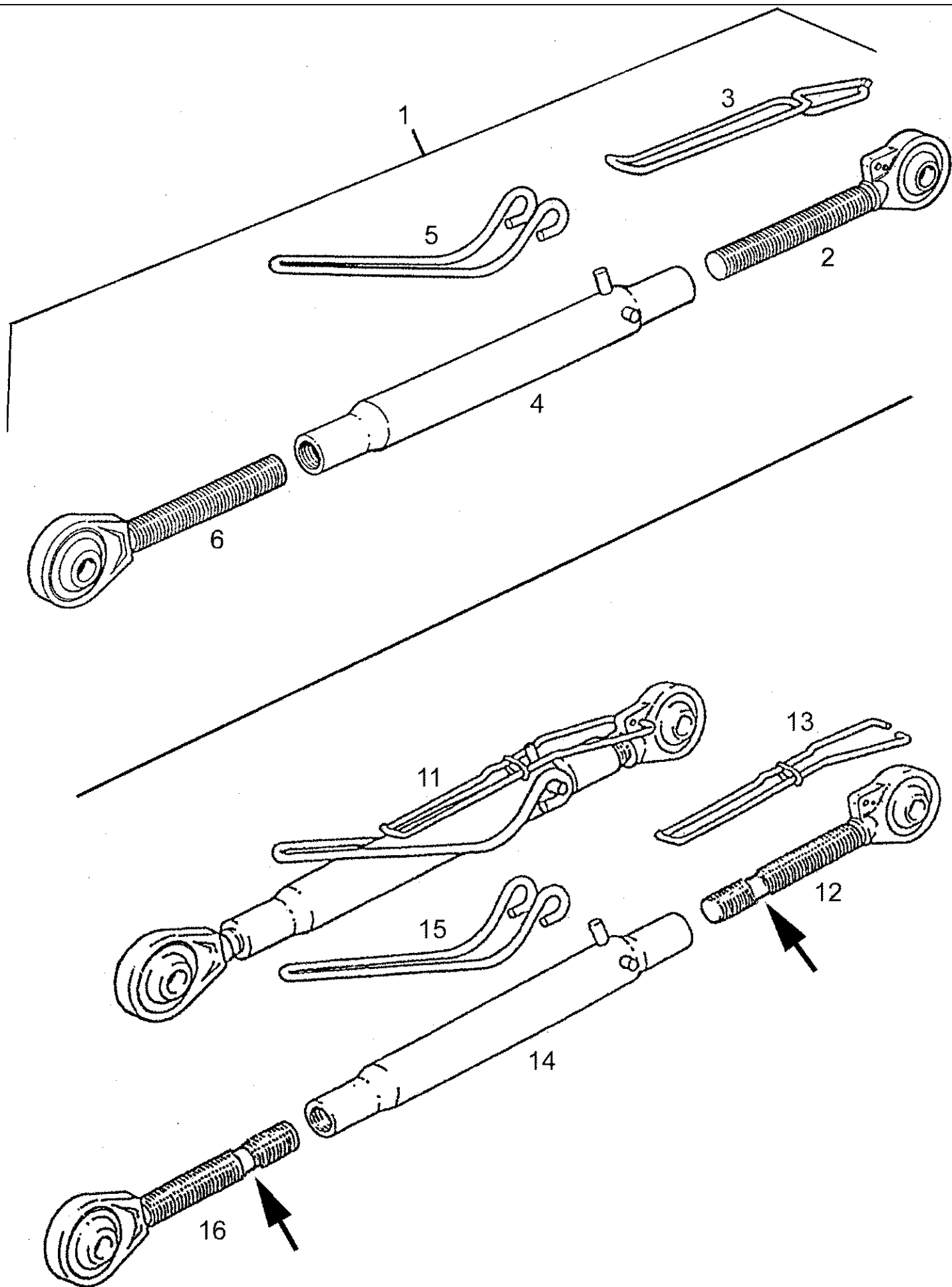


## 08-40(01) POWER LIFT LINKAGE WITH QUICK COUPLER

Ref	Onderdeelnummer	Kwt	Beschrijving
1	135700740116	1	LINK, UPPER, , ---->04009; Wahlweise/Optional/En Option/Efter valg/A scelta - Siehe nächste Seite(n)/See next page(s)/Voir page(s) suivante(s)/Se næste side (r )/Vedere pagin(a/e) seguent(e/i)
1	135700740117	1	LINK, UPPER, , ---->04009
1A	1-32-274-030	1	LINK, UPPER, , 04010 ---->; Ersetzt/Replaces/Remplace/Udskiftet/Sostituisce 135700740115
3	133700740224	1	LINK, UPPER, , Links/Left/Gauche/Venstre/Sinistro / ---->02817; Siehe nächste Seite(n)/See next page(s)/Voir page(s) suivante(s)/Se næste side (r )/Vedere pagin(a/e) seguent(e/i)
3	133700740301	1	LINK, LOWER, , Links/Left/Gauche/Venstre/Sinistro / 02818---->04446
3	1-32-274-036	1	LINK, LOWER, , Cat.2; Links/Left/Gauche/Venstre/Sinistro / 04447---->
4	133700740225	1	LINK, UPPER, , Rechts/Right/Droit/Højre/Destra / ---->02817; Siehe nächste Seite(n)/See next page(s)/Voir page(s) suivante(s)/Se næste side (r )/Vedere pagin(a/e) seguent(e/i)
4	133700740300	1	LINK, LOWER, , Rechts/Right/Droit/Højre/Destra/ 02818 ---->04446
4	1-32-274-035	1	LINK, LOWER, , Cat.2; Rechts/Right/Droit/Højre/Destra, 04447---->
5	137700740187	2	KOGELWRIGHT, , Einschließlich/Includes/Avec/Inklusive/Compreso 10 - Wahlweise/Optional/En Option/Efter valg/A scelta
5	137700740110	2	KOGELWRIGHT, , Einschließlich/Includes/Avec/Inklusive/Compreso 10
6	137700740111	1	FLEXIBELE KABEL, , L = 4000mm; Einschließlich/Includes/Avec/Inklusive/Compreso 14
7	135700740018	1	HOUDER,
8	190003846321	2	SCHROEF,
9	190003931082	2	SLUITRING, , A6
10	137700740711	2	PIN, LINCH,
12	1397740310	1	AFSTANDSRING,
13	1397740227	1	ROPE, METAL,
14	190003599418	4	HAAK, , B60
15	137700740185	1	KOGELGEWRIGHT, , Ø = 50mm
16	133700740205	2	TRESTLE, , a = 75mm / ---->08 03 95; Siehe nächste Seite(n)/See next page(s)/Voir page(s) suivante(s)/Se næste side (r )/Vedere pagin(a/e) seguent(e/i)
16	133700740290	2	ROD, LIFTING, , a = 105mm / 09 03 95 ---->. . . .
16	133700740295	2	ROD, LIFTING, , a = 105mm; Ersetzt/Replaces/Remplace/Udskiftet/Sostituisce 133700740290
17	1292740148	2	PIN, LARGE,
17A	1-32-274-015	2	BOLT, SPECIAL,
18	1192740022	2	VEER,
19	135700930064	1	PIN, LARGE,
19A	133700740296	1	PIN, LARGE,
20	180740235	1	PIN, LARGE,
21	135700740089	1	VEER,
23	43138	2	BOUT, Hex, M10 x 20, 8.8, Full Thd,
24	100016	2	MOER, M10, CI 8,
29	1395740232	2	PIN, PIVOT,
30	190003888452	2	MOER, , VM10-8
31	190003862556	2	SCHROEF, , M10x65-8.8

## 08-40(01) POWER LIFT LINKAGE WITH QUICK COUPLER

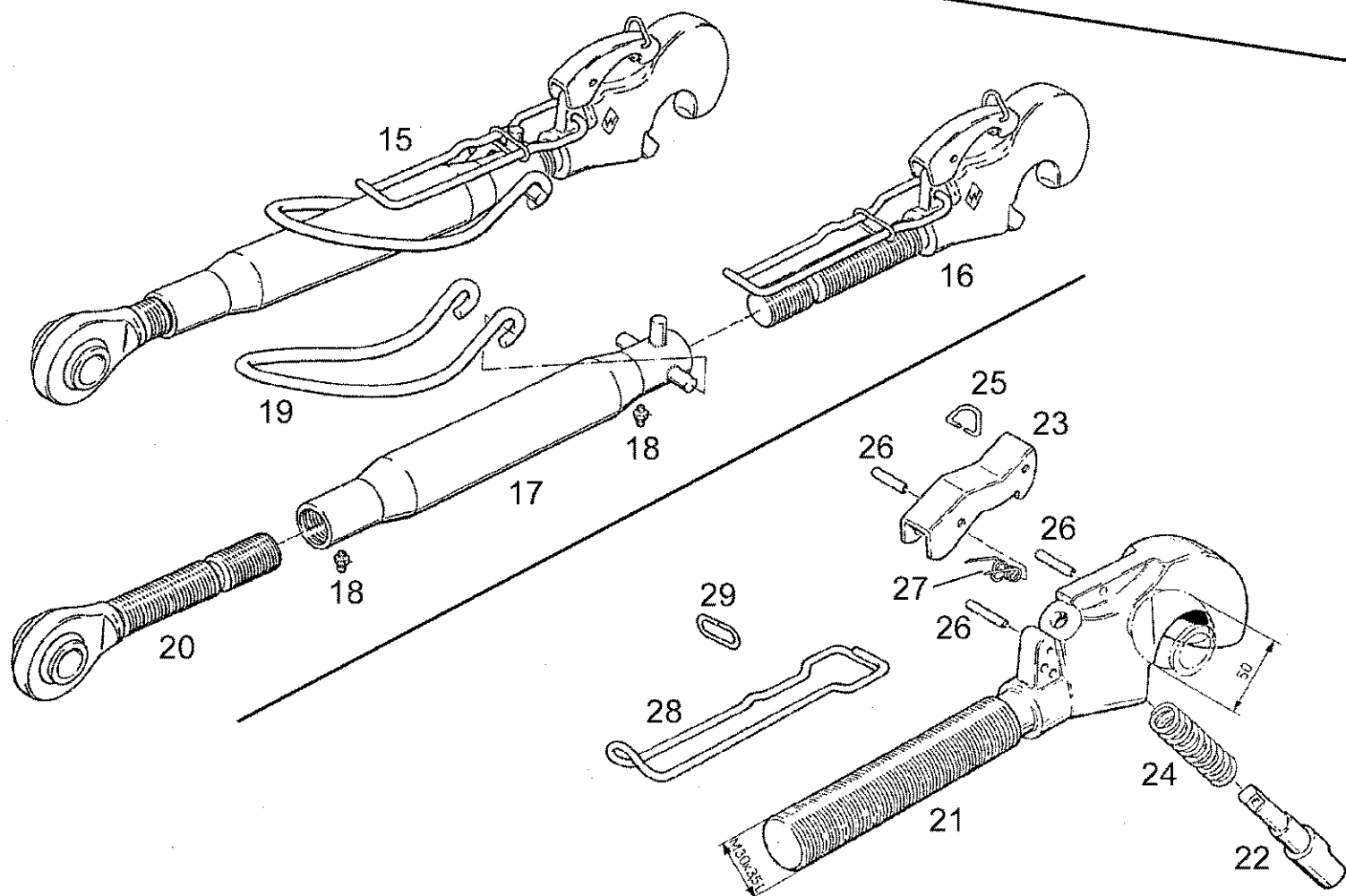
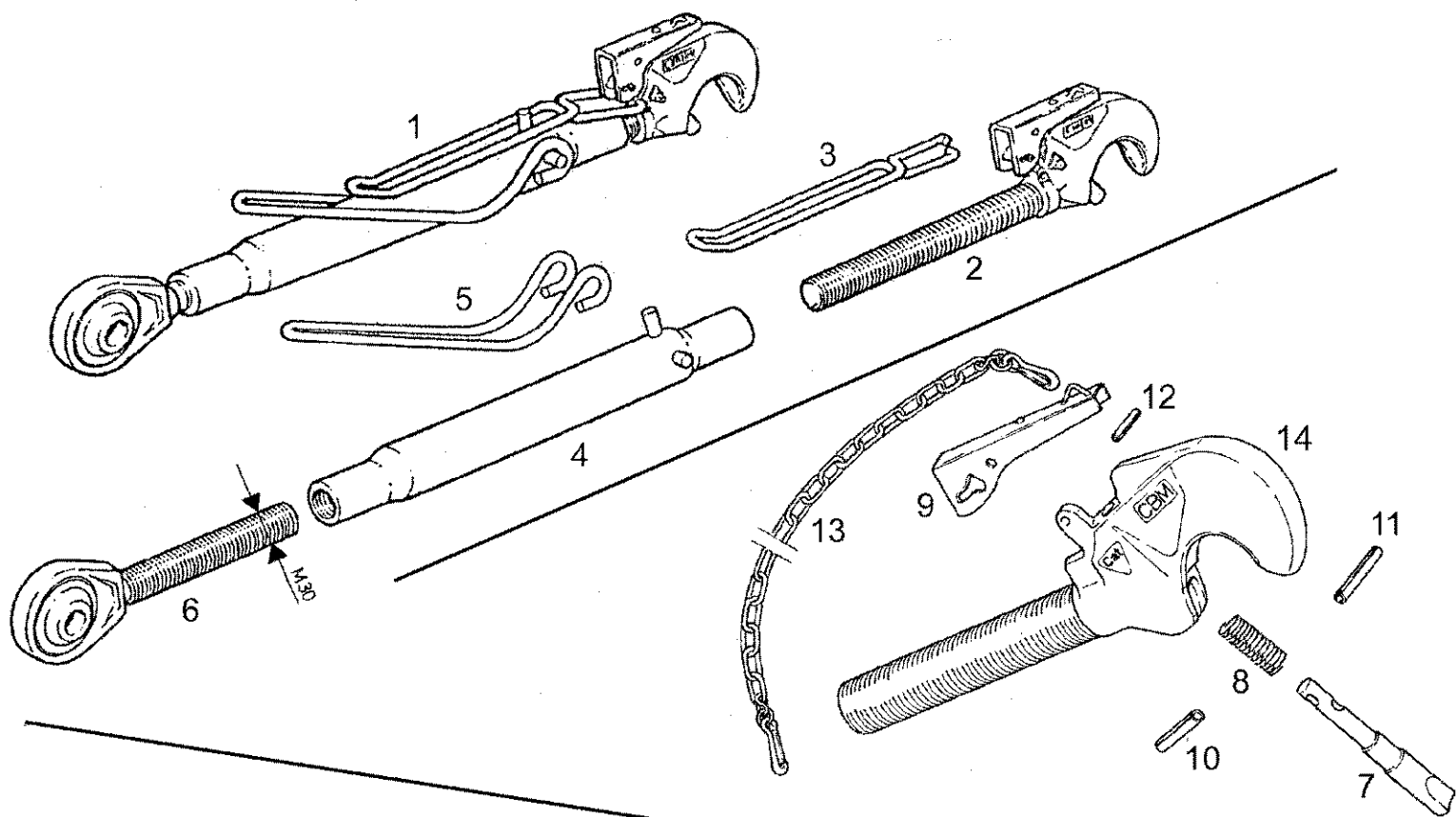
Ref	Onderdeelnummer	Kwt	Beschrijving
32	133700740315	2	STAY, , Ersetzt/Replaces/Remplace/Udskiftet/Sostituisce 133700740280 - Siehe nächste Seite(n)/See next page(s)/Voir page(s) suivante(s)/Se næste side (r )/Vedere pagin(a/e) sequent(e/i)
33	133700740305	1	LAGER, , Links/Left/Gauche/Venstre/Sinistro - Ersetzt/Replaces/Remplace/Udskiftet/Sostituisce 133700740269
33A	1-32-274-003	1	HOUDER, , Links/Left/Gauche/Venstre/Sinistro - Ersetzt/Replaces/Remplace/Udskiftet/Sostituisce 153700740013
34	133700740306	1	LAGER, , Rechts/Right/Droit/Højre/Destra - Ersetzt/Replaces/Remplace/Udskiftet/Sostituisce 133700740270
34A	1-32-274-002	1	HOUDER, , Rechts/Right/Droit/Højre/Destra - Ersetzt/Replaces/Remplace/Udskiftet/Sostituisce 153700740012
35	280854	8	BOUT, Hex, M14 x 35, 8.8, Full Thd, , M14x35-8.8
36	1397740243	2	PIN, LARGE,
37	REF	-	INSTRUCTION, , Siehe Seite(n) vorne/See Page(s) before/Voir Page(s) avant/Se side (r ) forrest/Vedere pagin(a/e) precedent(e/i)
38	1-32-574-042	1	DECAL,
38A	1-32-574-072	1	DECAL,



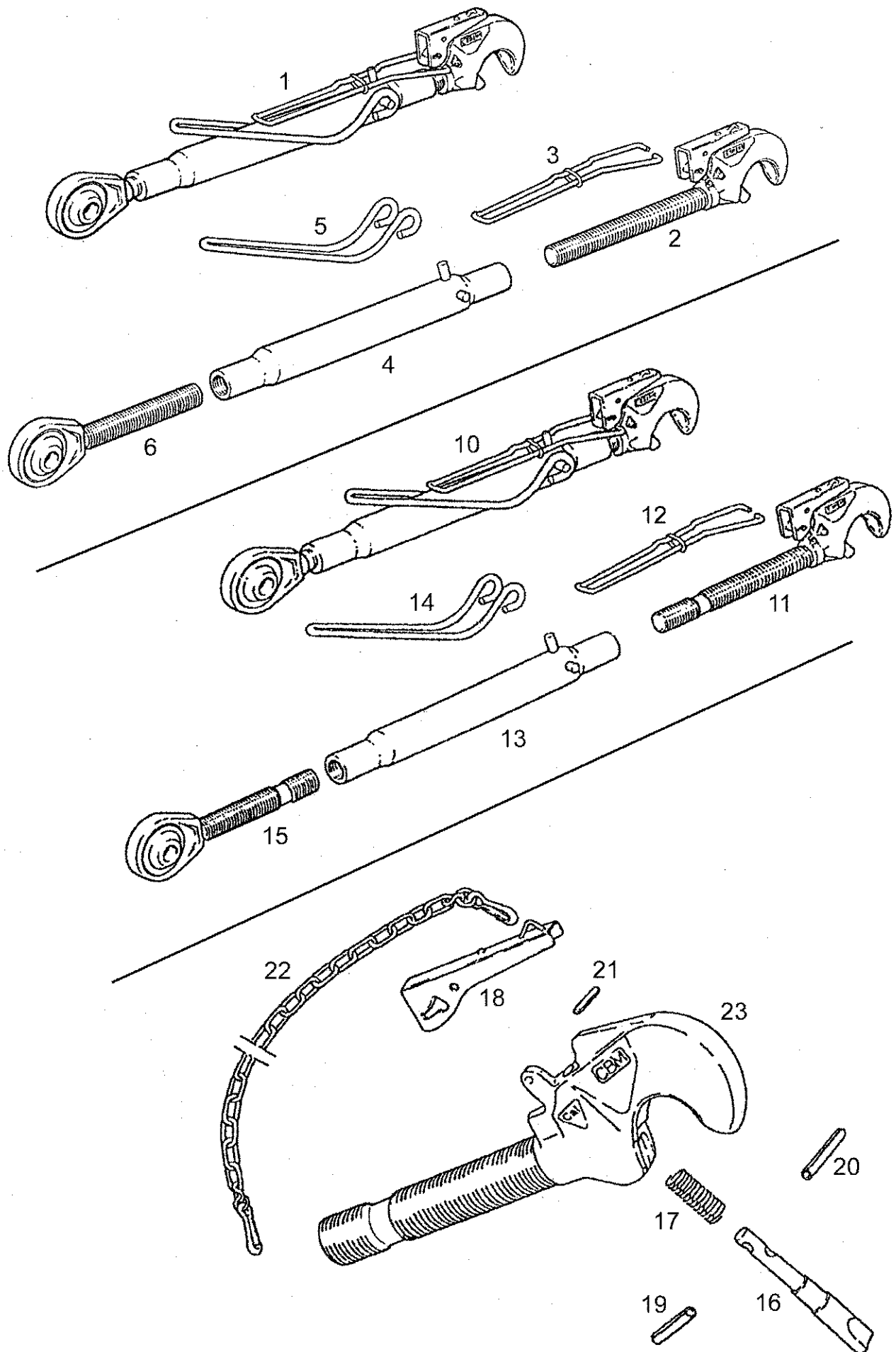


## 08-41(01) LINK UPPER, DISASSEMBLED

Ref	Onderdeelnummer	Kwt	Beschrijving
1	133700740211	1	LINK, UPPER, , ---->. . . .; Besteht aus/Consists of/Compose de/Bestående af/È composto da 2 - 6
2	133700740776	1	OOGBOUT,
3	133700740775	1	HEFBOOM,
4	133700740774	1	OPVULPIJP,
5	133700740772	1	CONTROLEVEER,
6	133700740773	1	OOGBOUT,
11	1-32-274-025	1	LINK, UPPER, , Besteht aus/Consists of/Compose de/Bestående af/È composto da 12 - 16; Ersetzt/Replaces/Remplace/Udskiftet/Sostituisce 133700740211
12	1-32-174-038	1	OOGBOUT,
13	1-32-574-204	1	VEER,
14	133700740774	1	OPVULPIJP,
15	1-32-574-203	1	SHACKLE, SPRING,
16	1-32-174-039	1	OOGBOUT,

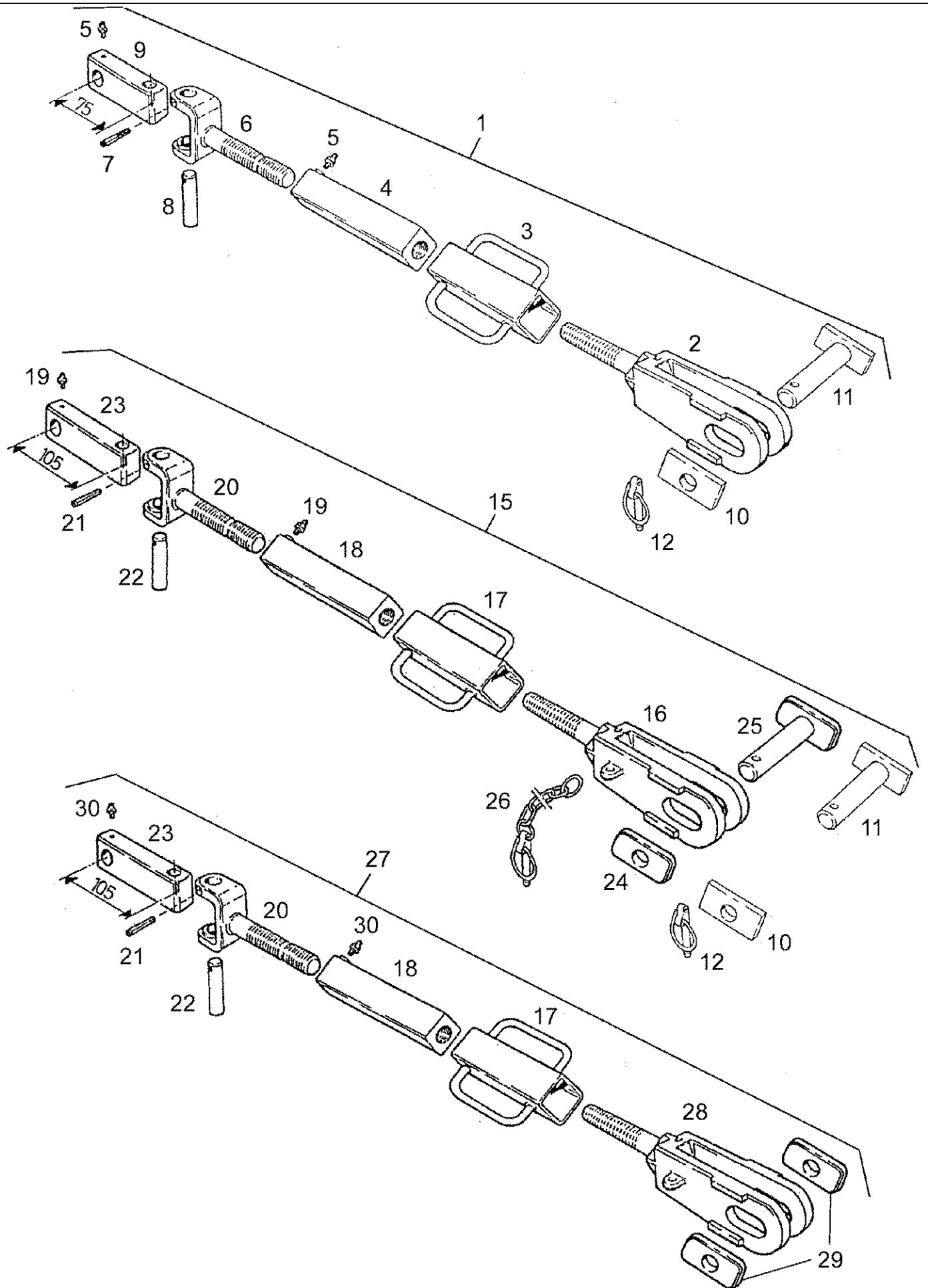


Ref	Onderdeelnummer	Kwt	Beschrijving
1	135700740116	1	LINK, UPPER, , CBM; Besteht aus/Consists of/Compose de/Bestående af/È composto da 2 - 6
2	135700740711	1	TRUSS ROD, , Besteht aus/Consists of/Compose de/Bestående af/È composto da 7 - 13
3	133700740775	1	HEFBOOM,
4	133700740774	1	OPVULPIJP,
5	133700740772	1	CONTROLEVEER,
6	133700740773	1	OOGBOUT,
7	135700740721	1	PIN, LARGE,
8	135700740722	1	VEER,
9	135700740723	1	HEFBOOM,
10	135700740724	1	SPLITPEN/VEILIGHEIDSPEN,
11	135700740725	1	SPLITPEN/VEILIGHEIDSPEN,
12	135700740726	1	SPLITPEN/VEILIGHEIDSPEN,
13	135700740727	1	HEFBOOM,
14	NSS	-	NIET ALLEEN VERKRIJGBAAR,
15	135700740117	1	LINK, UPPER, , WALTERSCHEID; Besteht aus/Consists of/Compose de/Bestående af/È composto da 16 - 20
16	137700740105	1	HAAK, , Besteht aus/Consists of/Compose de/Bestående af/È composto da 21 - 29
17	135700740707	1	OPVULPIJP,
18	135700740708	2	SMEERNIPPEL,
19	135700740709	1	SHACKLE, SPRING,
20	135700740710	1	KOGELWRIGHT,
21	NSS	-	NIET ALLEEN VERKRIJGBAAR,
22	137700740702	1	PIN, LARGE,
23	137700740703	1	HEFBOOM,
24	137700740704	1	SPRING, COMPRESSION,
25	137700740705	1	BOW,
26	190003909628	3	SPANSTIFT, , 6x28
27	137700740706	1	VEER,
28	1397740718	1	VEILIGHEIDSNUT,
29	1397740719	1	LINK, OFFSET,



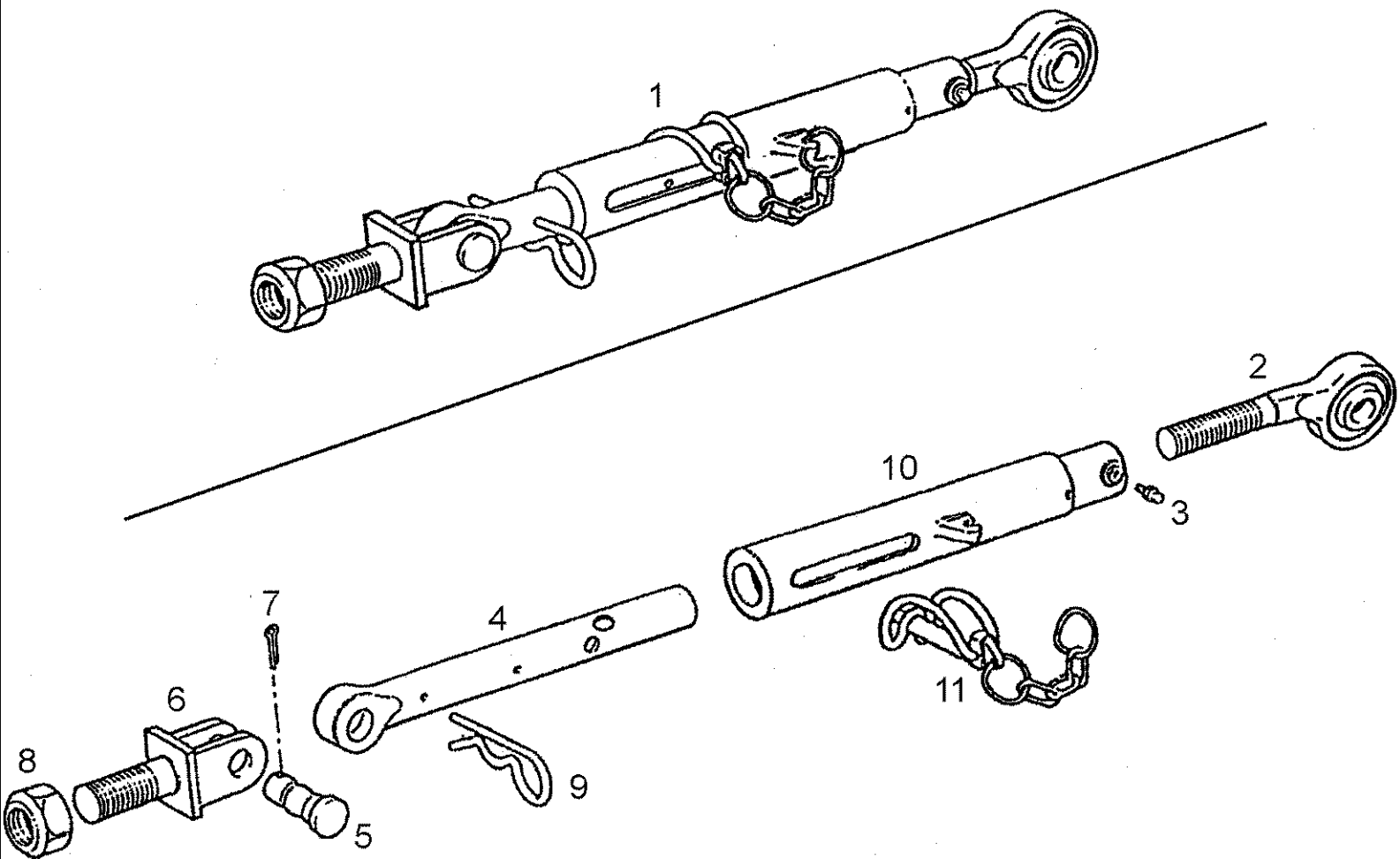
Ref	Onderdeelnummer	Kwt	Beschrijving
1	135700740115	1	LINK, UPPER, , CBM / ---->. . . .; Besteht aus/Consists of/Compose de/Bestående af/È composto da 2 - 6
2	135700740711	1	TRUSS ROD, , Besteht aus/Consists of/Compose de/Bestående af/È composto da 16 - 23
3	155700740702	1	VEER,
4	133700740774	1	OPVULPIJP,
5	1397740193	1	VEER,
6	133700740773	1	OOGBOUT,
10	1-32-274-030	1	LINK, UPPER, , CBM / . . . ---->; Besteht aus/Consists of/Compose de/Bestående af/È composto da 11 - 15
11	1-32-274-029	1	HAAK, , Besteht aus/Consists of/Compose de/Bestående af/È composto da 16 - 23
12	1-32-574-204	1	VEER,
13	133700740774	1	OPVULPIJP,
14	1-32-574-203	1	SHACKLE, SPRING,
15	1-32-174-039	1	OOGBOUT,
16	135700740721	1	PIN, LARGE,
17	135700740722	1	VEER,
18	135700740723	1	HEFBOOM,
19	135700740724	1	SPLITPEN/VEILIGHEIDSPEN,
20	135700740725	1	SPLITPEN/VEILIGHEIDSPEN,
21	135700740726	1	SPLITPEN/VEILIGHEIDSPEN,
22	135700740727	1	HEFBOOM,
23	NSS	-	NIET ALLEEN VERKRIJGBAAR,

08-44(01) LIFT ROD, DISASSEMBLED



## 08-44(01) LIFT ROD, DISASSEMBLED

Ref	Onderdeelnummer	Kwt	Beschrijving
1	133700740205	1	TRESTLE, , a = 75mm / ---->01576; Besteht aus/Consists of/Compose de/Bestående af/È composto da 2 - 12
2	133700740730	1	GAFFEL,
3	133700740726	1	TURNBUCKLE,
4	133700740725	1	BUISJE,
5	190003963106	2	SMEERNIPPEL, M6 x 1, , AM6
6	133700740724	1	CRADLE,
7	133700740723	1	PIN, LARGE,
8	133700740722	1	PIN, LARGE,
9	133700740738	1	KOPPELING,
10	133700740718	1	PLAAT, GROOT, , ØD = 25,5mm
11	133700740777	1	PIN, LARGE,
12	133700740778	1	PIN, LARGE,
15	133700740290	1	ROD, LIFTING, , a =105mm / 01577; Besteht aus/Consists of/Compose de/Bestående af/È composto da 10 - 12, 16 - 23, 26
15	133700740295	1	ROD, LIFTING, , a =105mm; Ersetzt/Replaces/Remplace/Udskiftet/Sostituisce 133700740290 - Besteht aus/Consists of/Compose de/Bestående af/È composto da 16 - 26
16	131700740745	1	CRADLE,
17	133700740726	1	TURNBUCKLE,
18	133700740725	1	BUISJE,
19	190003963106	2	SMEERNIPPEL, M6 x 1, , AM6
20	133700740724	1	CRADLE,
21	133700740723	1	PIN, LARGE,
22	133700740722	1	PIN, LARGE,
23	133700740289	1	KOPPELING,
24	1-32-174-027	1	PLAAT,
25	1-32-174-026	1	PIN, CROSS,
26	131700740742	1	PIN, LINCH,
27	1-32-274-010	1	ROD, LIFTING, , Besteht aus/Consists of/Compose de/Bestående af/È composto da 17, 18, 20 - 23, 28 - 30
28	1-32-274-009	1	RAM FORK,
29	1-32-274-008	2	PLAAT,
30	131700740735	2	SMEERNIPPEL,



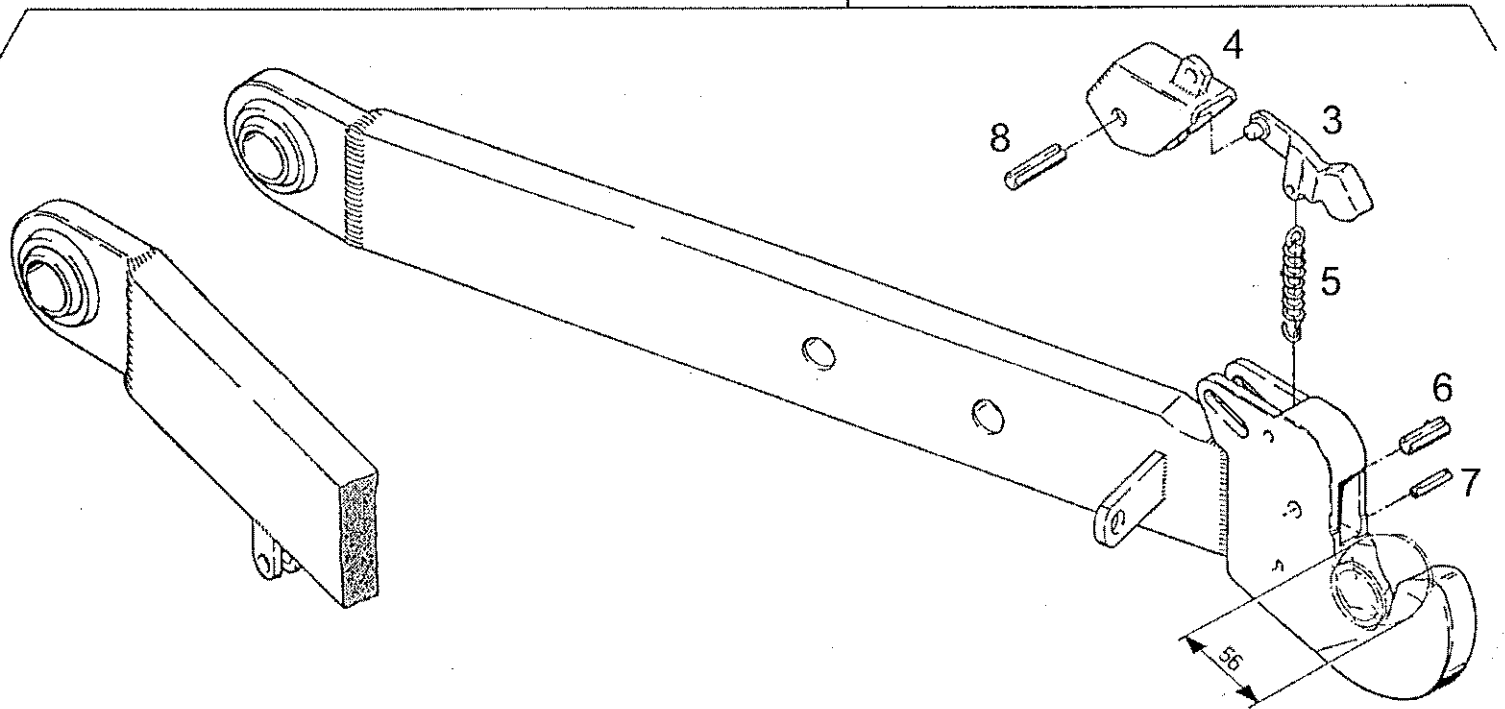


## 08-45(01) SUPPORT BRACE, DISASSEMBLED

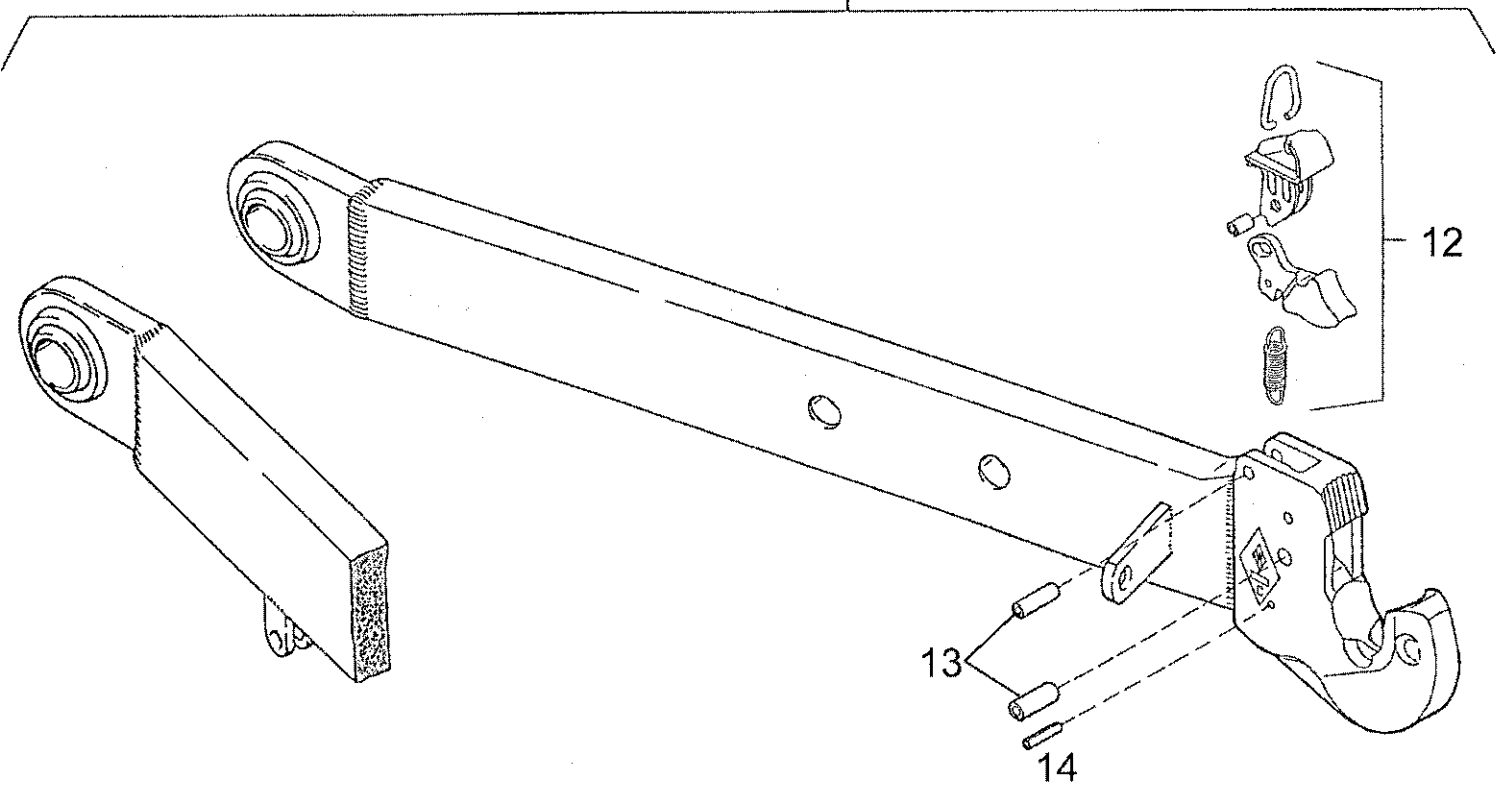
Ref	Onderdeelnummer	Kwt	Beschrijving
1	133700740315	2	STAY, , Besteht aus/Consists of/Compose de/Bestående af/È composto da 2 - 11
2	131700740719	2	OOGBOUT,
3	190003963106	2	SMEERNIPPEL, M6 x 1, , AM6
4	131700740740	2	STANG,
5	131700740741	2	PIN, LARGE,
6	131700740739	2	CRADLE,
7	131700740709	2	SPLITPEN,
8	131700740708	2	MOER,
9	131700740707	2	SPLITPEN,
10	133700740792	2	SPANNER,
11	133700740793	2	PIN, LINCH,

08-46(01) LOWER LIFT LINK, DISASSEMBLED

1/2

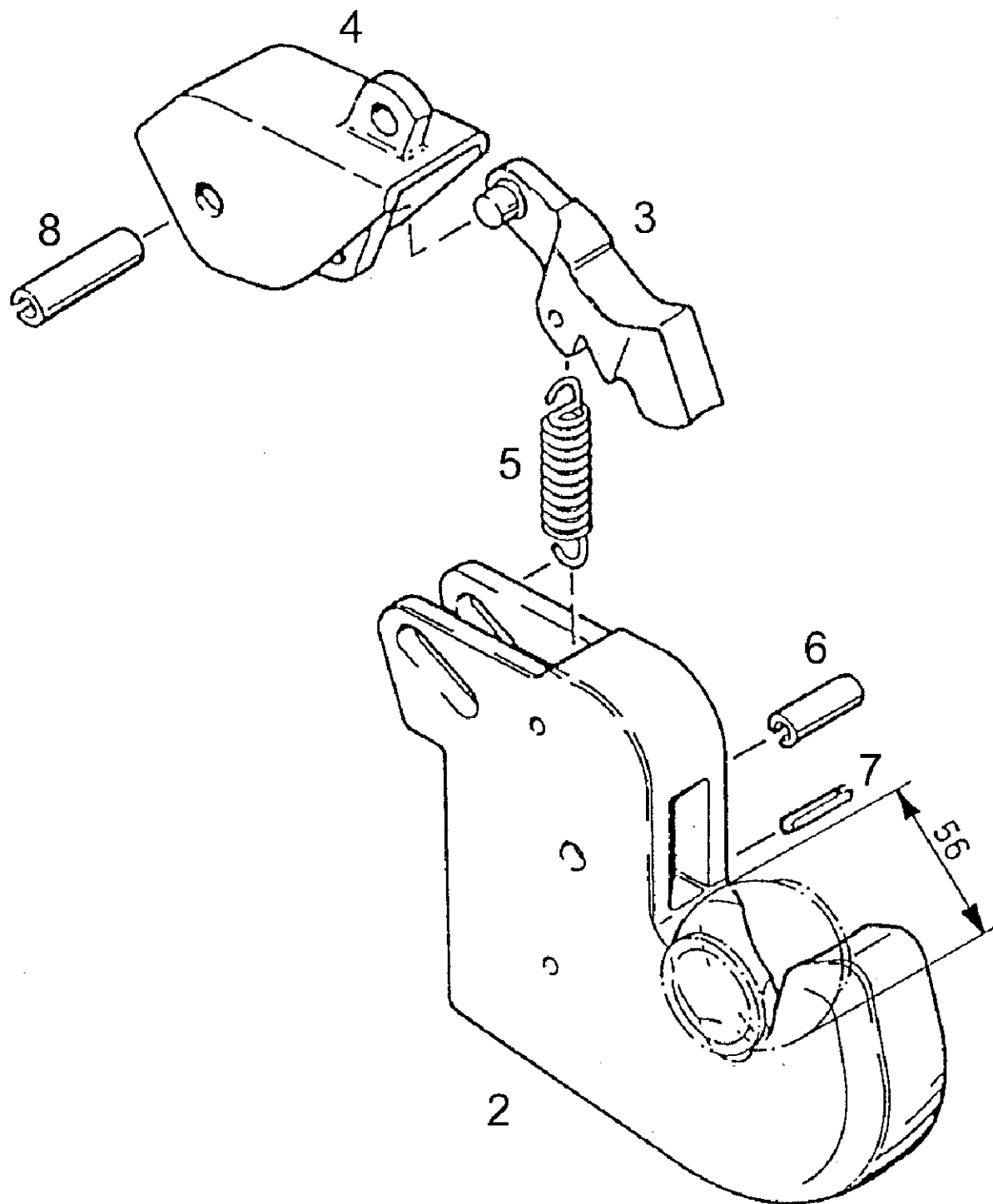


10/11  
15/16



## 08-46(01) LOWER LIFT LINK, DISASSEMBLED

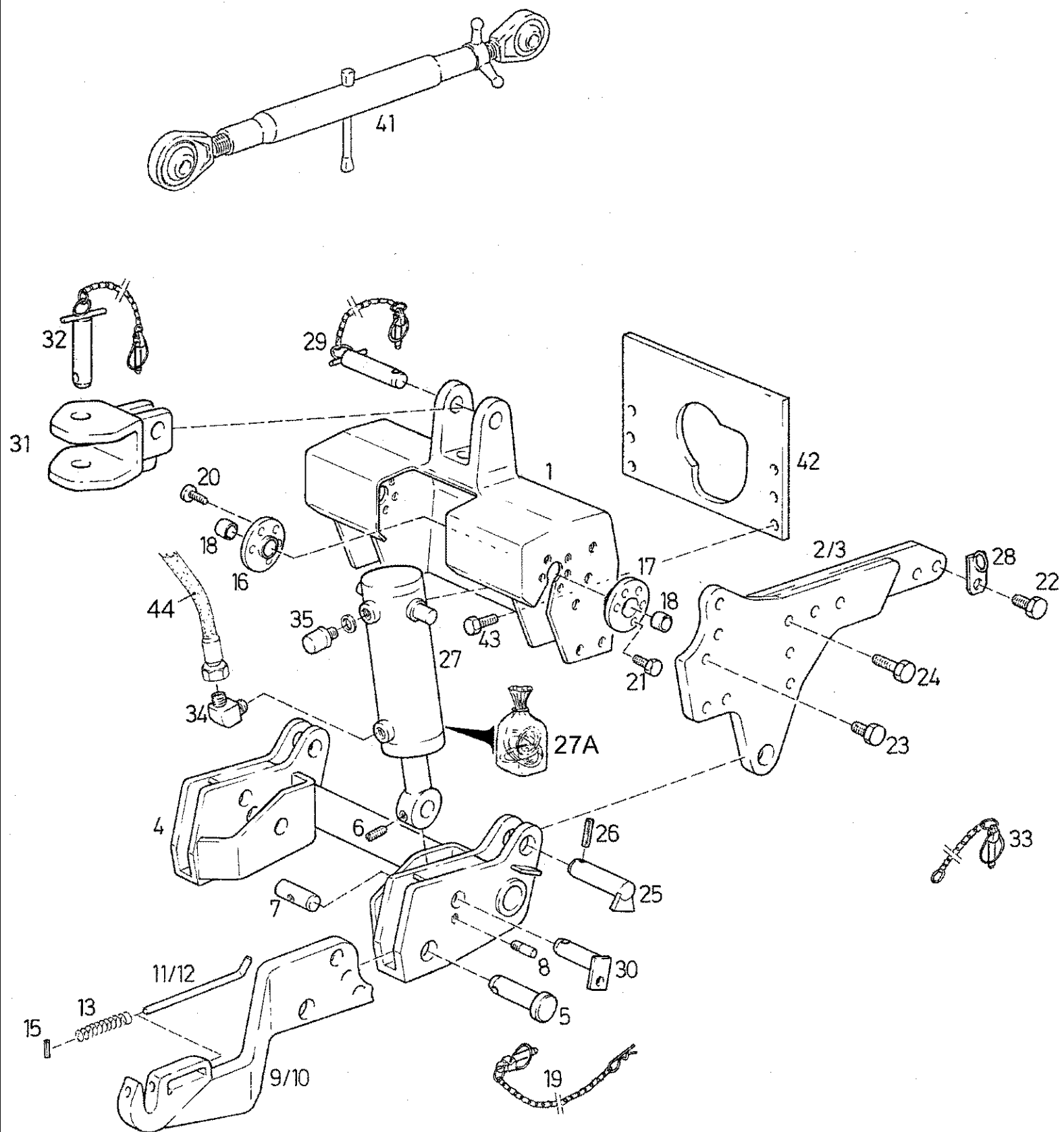
Ref	Onderdeelnummer	Kwt	Beschrijving
1	133700740224	1	LINK, UPPER, , ---->02817; Links/Left/Gauche/Venstre/Sinistro - Einschließlich/Includes/Avec/Inklusive/Compreso 3 - 8
2	133700740225	1	LINK, UPPER, , ---->02817; Rechts/Right/Droit/Højre/Destra - Einschließlich/Includes/Avec/Inklusive/Compreso 3 - 8
3	137700740718	1	LATCH ASSY.,
4	137700740719	1	HEFBOOM,
5	137700740710	1	SPRING, TENSION,
6	137700740720	1	SPLITPEN/VEILIGHEIDSPEN,
7	137700740721	1	SPANSTIFT,
8	137700740722	1	SPLITPEN/VEILIGHEIDSPEN,
10	133700740300	1	LINK, LOWER, , 02818---->04446; Rechts/Right/Droit/Højre/Destra - Einschließlich/Includes/Avec/Inklusive/Compreso 12 - 14
11	133700740301	1	LINK, LOWER, , 02818---->04446; Links/Left/Gauche/Venstre/Sinistro - Einschließlich/Includes/Avec/Inklusive/Compreso 12 - 14
12	133700740795	1	PAWL,
13	190003909682	2	SPANSTIFT, , 10x30
14	190003909628	1	SPANSTIFT, , 6x28
15	1-32-274-035	1	LINK, LOWER, , Cat.2 / , 04447---->; Rechts/Right/Droit/Højre/Destra - Einschließlich/Includes/Avec/Inklusive/Compreso 12 - 14
16	1-32-274-036	1	LINK, LOWER, , Cat.2 / , 04447---->; Links/Left/Gauche/Venstre/Sinistro - Einschließlich/Includes/Avec/Inklusive/Compreso 12 - 14



M968 STEYR TRACTOR / --->04939 (6/97-3/99) - Hydraulisch Systeem

08-47(01) CATCH HOOK FOR LOWER SUSPENSION ARM, DISASSEMBLED

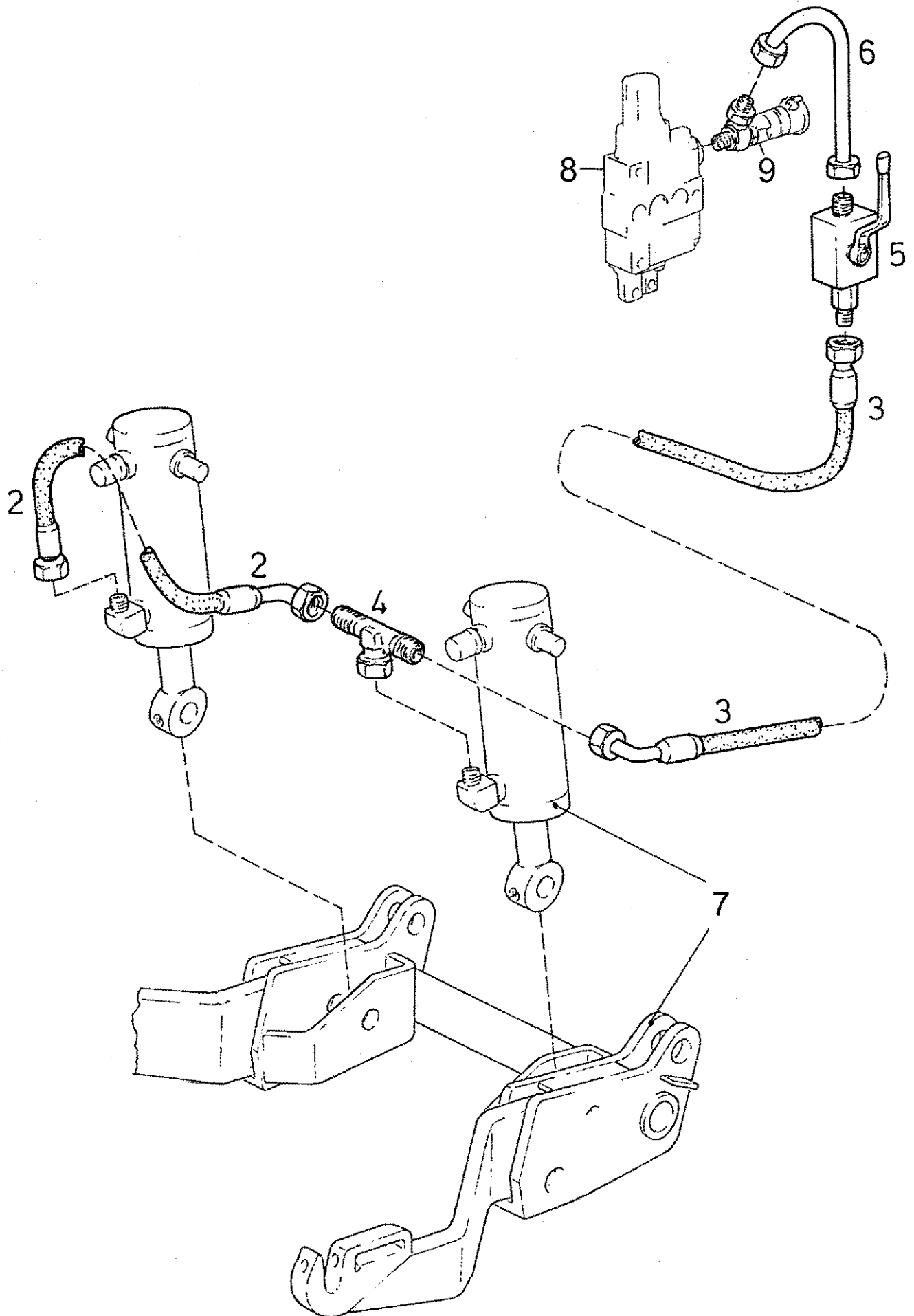
Ref	Onderdeelnummer	Kwt	Beschrijving
1	137700740119	1	HAAK, , Besteht aus/Consists of/Compose de/Bestående af/È composto da 2 - 8
2	NSS	-	NIET ALLEEN VERKRIJGBAAR,
3	137700740708	1	PAL,
4	137700740713	1	SCHOEP,
5	137700740710	1	SPRING, TENSION,
6	190003909669	1	SPANSTIFT, , 13x55
7	190003909628	1	SPANSTIFT, , 6x28
8	190003909669	1	SPANSTIFT, 13x55



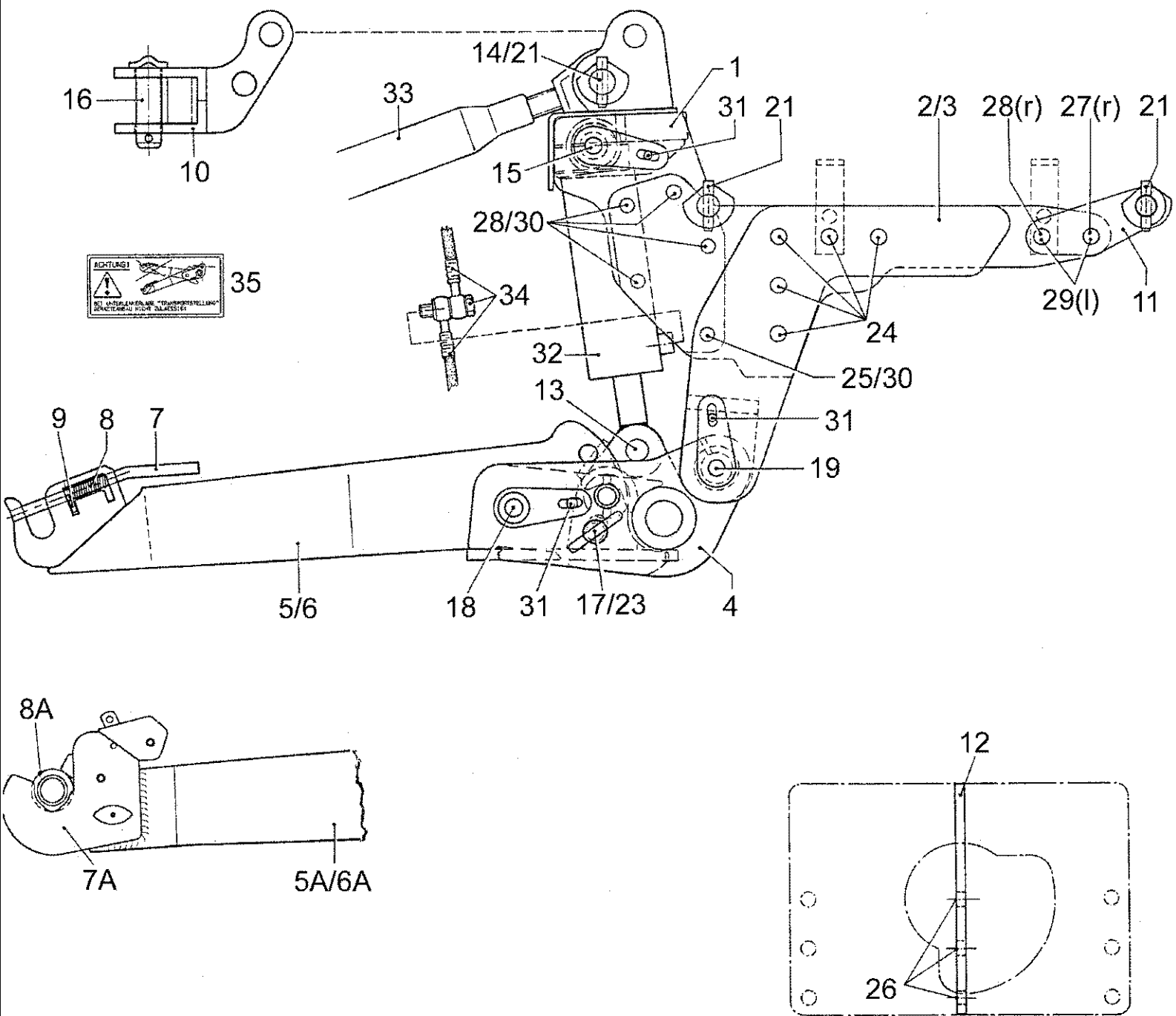
Ref	Onderdeelnummer	Kwt	Beschrijving
	1-35-195-100	1	FRONTHUBWERK, Besteht aus/Consists of/Compose de/Bestående af/È composto da 1 - 35
1	1-35-795-135	1	BRACKET, HITCH,
2	1-35-795-136	1	BRACKET, HITCH, , Links/Left/Gauche/Venstre/Sinistro
3	1-35-795-137	1	BRACKET, HITCH, , Rechts/Right/Droit/Højre/Destra
4	1-35-795-138	1	DIPPERSTICK,
5	1-35-795-139	2	PIN, HITCH,
6	190003902826	2	PEN, , M8x10
7	1-35-795-151	2	BOUT,
8	1-35-795-152	2	PIN, LARGE,
9	1-35-795-140	1	LINK, LOWER, , Links/Left/Gauche/Venstre/Sinistro
10	1-35-795-141	1	LINK, LOWER, , Rechts/Right/Droit/Højre/Destra
11	1-35-795-153	1	PIN, LARGE, , Links/Left/Gauche/Venstre/Sinistro
12	1-35-795-153	1	PIN, LARGE, , Rechts/Right/Droit/Højre/Destra
13	1-35-795-142	2	VEER,
15	190003909631	2	SPANSTIFT, , 6x30
16	1-35-795-143	2	FLENS, FLANSCH, Einschließlich/Includes/Avec/Inklusive/Compreso 18
17	1-35-795-144	2	FLENS, FLANSCH, Einschließlich/Includes/Avec/Inklusive/Compreso 18
18	1-35-795-145	4	LAGERBUS,
19	1-35-795-146	2	KETTING,
20	190003860299	10	SCHROEF, , M12x25
21	190003802622	10	SCHROEF, , M12x25-8.8
22	190003802832	4	SCHROEF, , M16x40-8.8
23	190003802822	10	SCHROEF, , M16x35-8.8
24	190003800836	10	SCHROEF, , M16x60-8.8
25	1-35-795-147	2	PIN, LARGE,
26	190003909692	2	SPANSTIFT, , 12x50
27	1-35-795-148	2	CYLINDER,
27A	1-35-795-149	1	KIT, GASKET,
28	1-35-795-075	1	HOUDER,
29	1-35-795-043	1	PIN, LARGE,
30	1-35-795-117	2	PIN, LARGE,
31	1-35-795-044	1	HITCH ASSY, TRAILER,
32	1-35-795-041	1	PIN, LARGE,
33	1-35-795-150	2	SHACKLE, SPRING,
34	1-35-795-068	2	FITTING,
35	REF	2	INSTRUCTION, , Filter
41	1-35-195-103	1	LINK, UPPER, , Siehe nächste Seite(n)/See next page(s)/Voir page(s) suivante(s)/Se næste side (r )/Vedere pagin(a/e) sequent(e/i)
42	1-35-127-102	1	PLAAT,
43	43167	6	BOUT, Hex, M16 x 30, 8.8, Full Thd, , M16x30-8.8

Ref	Onderdeelnummer	Kwt	Beschrijving
44	REF	-	INSTRUCTION, , Siehe nächste Seite(n)/See next page(s)/Voir page(s) suivante(s)/Se næste side (r )/Vedere pagin(a/e) sequent(e/i)



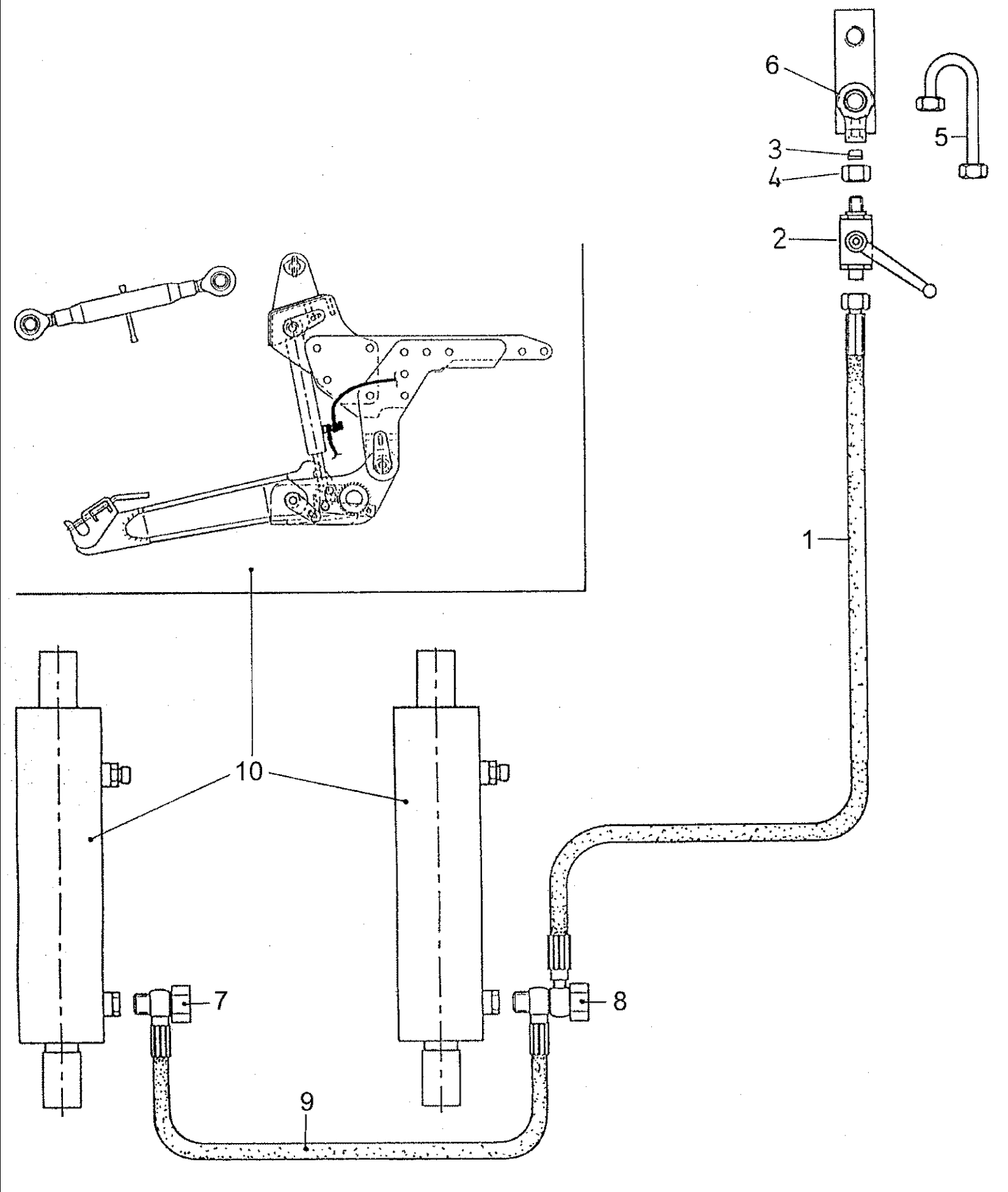


Ref	Onderdeelnummer	Kwt	Beschrijving
	1-35-195-107	1	SATZ, Besteht aus/Consists of/Compose de/Bestående af/È composto da 2 - 6
2	1-35-795-128	1	FLEXIBELE BUIS, , L = 305mm
3	1-35-795-129	1	FLEXIBELE BUIS, , L = 3400mm
4	1-35-795-130	1	TEE,
5	1-35-795-131	1	INLAATKLEP,
6	1-35-795-073	1	OPVULPIJP,
7	REF	-	INSTRUCTION, , Siehe Seite(n) vorne/See Page(s) before/Voir Page/s) avant/Se side (r ) forrest/Vedere pagin(a/e) precedent(e/i)
8	REF	-	INSTRUCTION, , Siehe Seite(n) vorne/See Page(s) before/Voir Page/s) avant/Se side (r ) forrest/Vedere pagin(a/e) precedent(e/i)
9	REF	-	INSTRUCTION, , Siehe Seite(n) vorne/See Page(s) before/Voir Page/s) avant/Se side (r ) forrest/Vedere pagin(a/e) precedent(e/i)

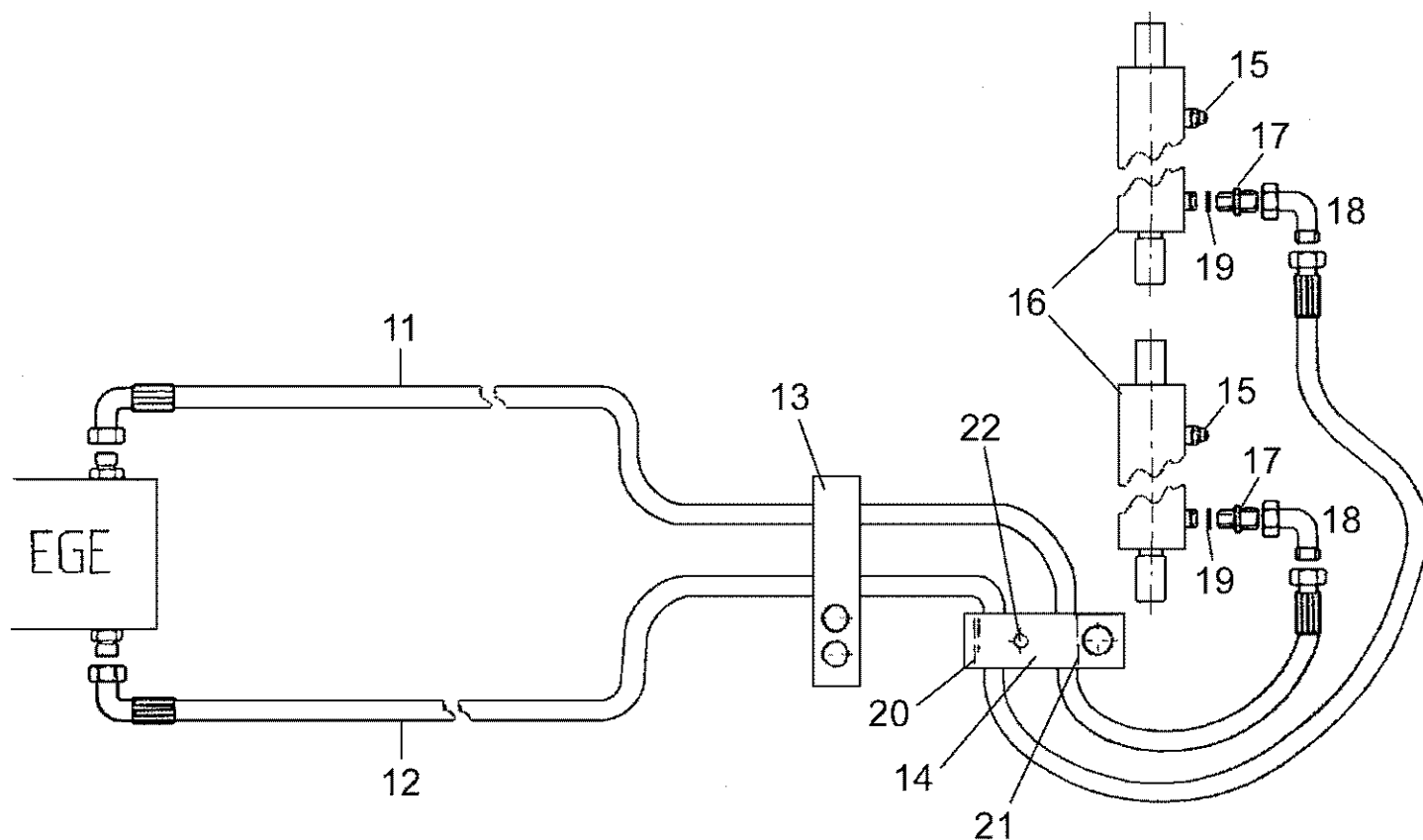
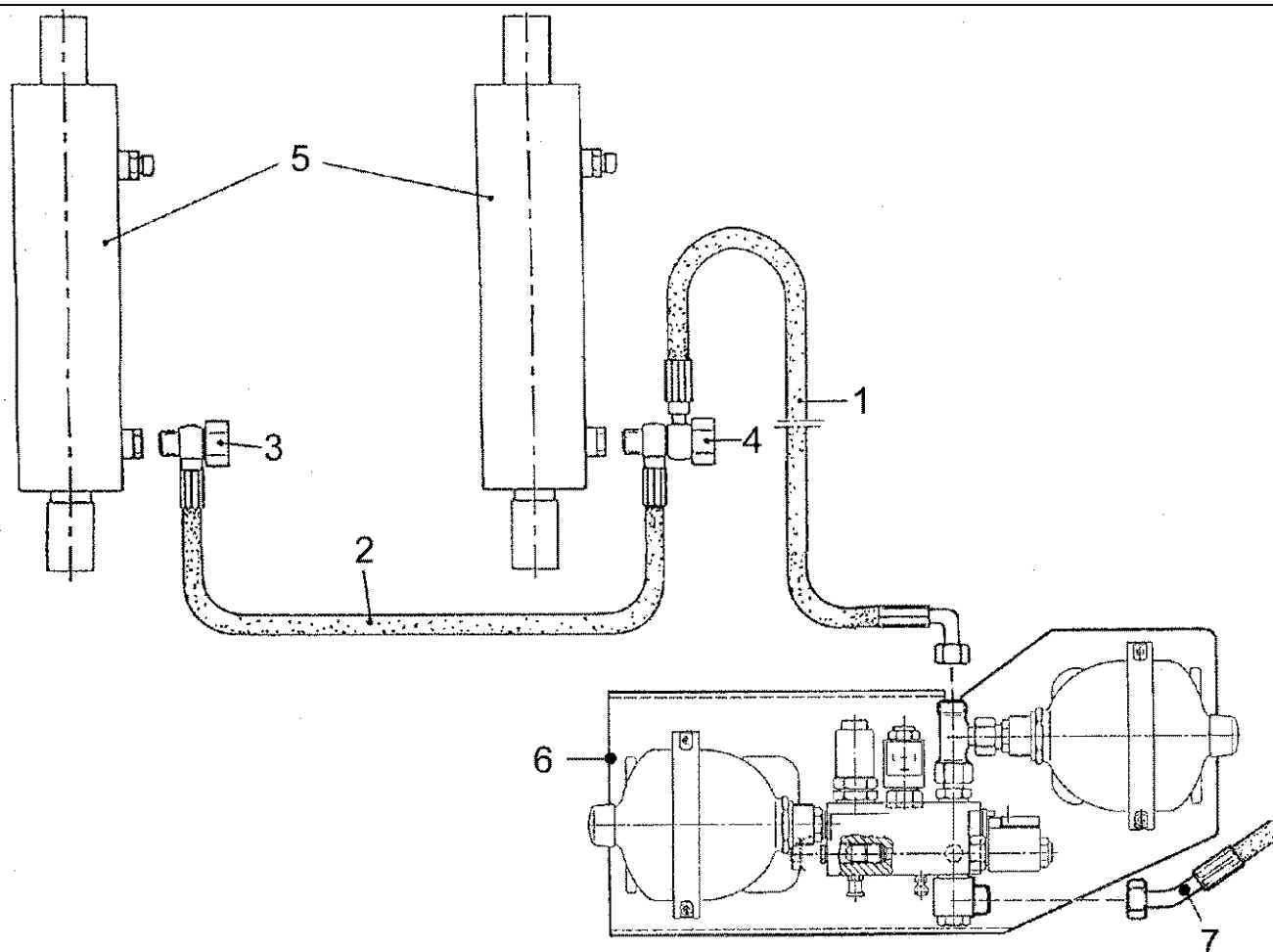


Ref	Onderdeelnummer	Kwt	Beschrijving
	1-35-195-111	1	HEFINRICHTING, HYDRAULISC, FRONTHUBWERK, EW / ---->01723
	1-35-195-211	1	HEFINRICHTING, HYDRAULISC, , EW / 01724 ---->. . . .
	1-35-195-154	1	HEFINRICHTING, HYDRAULISC, , EW / . . . ---->; Besteht aus/Consists of/Compose de/Bestående af/È composto da 1- 4, 5, 6, 7 - 33, Single acting
	1-35-195-114	1	HEFINRICHTING, HYDRAULISC, , DW; Besteht aus/Consists of/Compose de/Bestående af/È composto da 1- 4, 5, 6, 7 - 33, Double Acting
	1-35-195-015	1	HEFINRICHTING, HYDRAULISC, , EW/SK / ---->. . . .
	1-35-195-155	1	HEFINRICHTING, HYDRAULISC, , EW/SK / . . . ---->; Besteht aus/Consists of/Compose de/Bestående af/È composto da 1 - 4, 5A - 8A, 10 - 33, Single acting, Quick Coupler
	1-35-195-013	1	HEFINRICHTING, HYDRAULISC, , DW/SK; Besteht aus/Consists of/Compose de/Bestående af/È composto da 1 - 4, 5A - 8A, 10 - 33
1	1-35-795-292	1	CARRIER ASSY, ,
2	1-35-795-232	1	STEUNBEUGEL, , Links/Left/Gauche/Venstre/Sinistro
3	1-35-795-233	1	STEUNBEUGEL, , Rechts/Right/Droit/Højre/Destra
4	1-35-795-291	1	DIPPERSTICK,
5	1-35-795-234	1	HEFARM, , Rechts/Right/Droit/Højre/Destra
5A	1-35-795-244	1	HEFARM, , Rechts/Right/Droit/Højre/Destra
6	1-35-795-235	1	HEFARM, , Links/Left/Gauche/Venstre/Sinistro
6A	1-35-795-245	1	HEFARM, , Links/Left/Gauche/Venstre/Sinistro
7	299886A1	2	PIN, LARGE,
7A	NSS	-	NIET ALLEEN VERKRIJGBAAR,
8	299887A1	2	SPRING, COMPRESSION,
8A	1-35-795-187	2	KOGEL,
9	299888A1	2	PEN,
10	1-35-795-285	1	TREKHAAK,
11	1-35-795-295	1	HOUDER,
12	1-35-127-102	1	PLAAT,
13	1-35-795-284	1	PIN, PIVOT,
14	1-35-795-185	1	PIN, LARGE,
15	1-35-795-293	1	PIN, LARGE,
16	1-35-795-286	1	PIN, LARGE,
17	299504A1	1	PIN, HITCH,
18	1-35-795-290	1	PIN, LARGE,
19	1-35-795-236	1	PIN, LARGE,
21	155700930711	3/2	PIN, LINCH,
23	REF	2	INSTRUCTION, Klappstecker
	190003963106	6	SMEERNIPPEL, M6 x 1, , AM6
24	190003800836	10	SCHROEF, , M16x60-8.8
25	190003800084	2	SCHRAUBE, M12x170-10.9-A3C
26	43167	6	BOUT, Hex, M16 x 30, 8.8, Full Thd, , M16x30-8.8
27	190003802832	1	SCHROEF, , M16x40-8.8

Ref	Onderdeelnummer	Kwt	Beschrijving
28	190003802836	9	SCHROEF, , M16x45-8.8
29	190003802841	2	SCHROEF, , M16x50-8.8
30	832-46416	10	NUT, LOCK, M16 x 2, CI 8, , VM16-8
31	1-35-795-237	6	BOLT, SPECIAL,
32	1-35-795-084	2	CYLINDER, , Siehe nächste Seite(n)/See next page(s)/Voir page(s) suivante(s)/Se næste side (r )/Vedere pagin(a/e) seguent(e/i)
33	1-35-195-103	1	LINK, UPPER,
33	1-35-195-131	1	LINK, UPPER, , Siehe nächste Seite(n)/See next page(s)/Voir page(s) suivante(s)/Se næste side (r )/Vedere pagin(a/e) seguent(e/i)
34	REF	-	INSTRUCTION, , Siehe nächste Seite(n)/See next page(s)/Voir page(s) suivante(s)/Se næste side (r )/Vedere pagin(a/e) seguent(e/i)
35	1-35-195-125	1	DECAL,

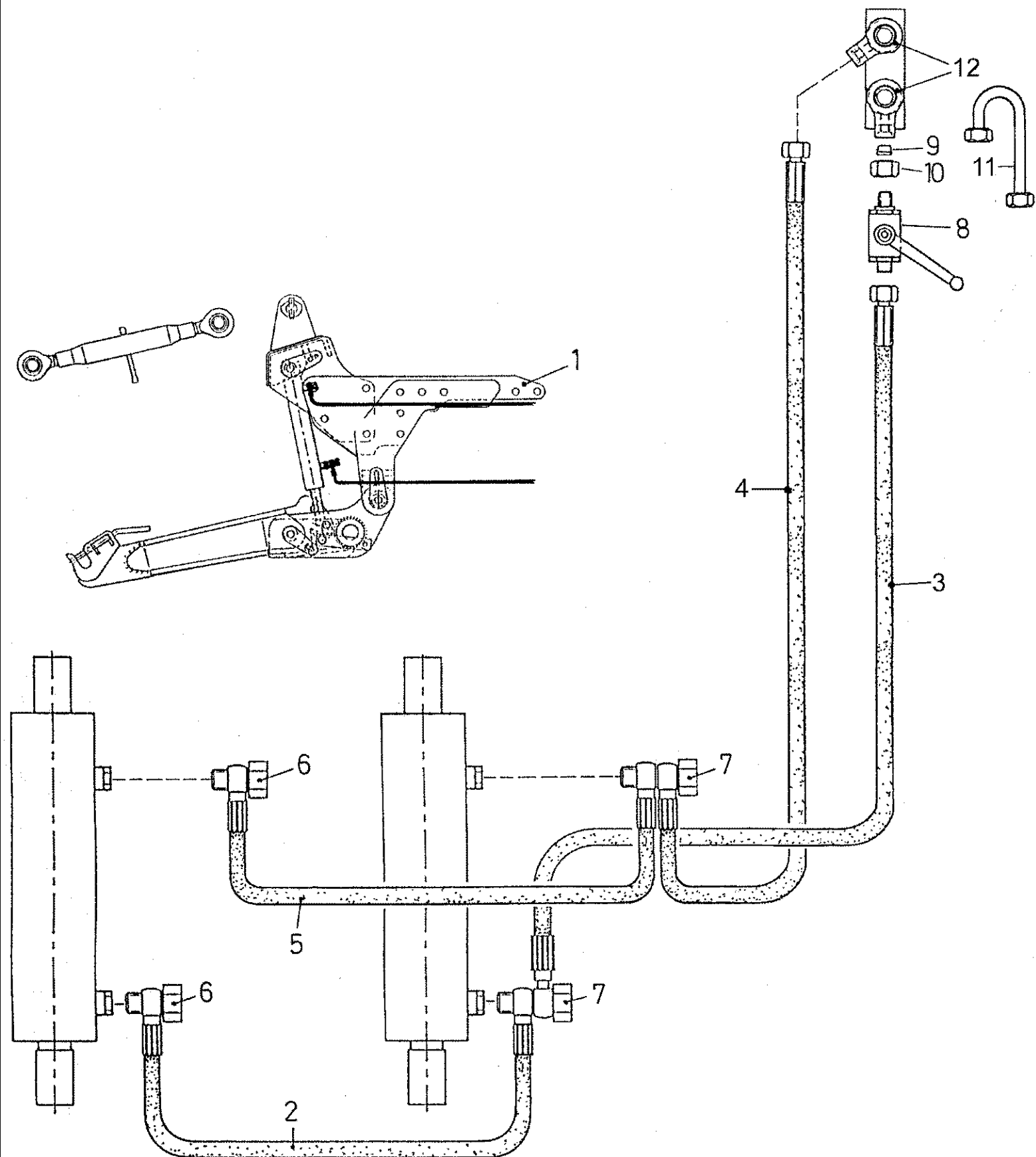


Ref	Onderdeelnummer	Kwt	Beschrijving
	1-35-195-112	1	LEIDING, , ---->01723; Besteht aus/Consists of/Compose de/Bestående af/È composto da 1 - 5
	1-35-195-156	1	FLEXIBELE BUIS, , 01724 ---->; Besteht aus/Consists of/Compose de/Bestående af/È composto da 1, 2, 5
1	1-35-795-303	1	FLEXIBELE BUIS,
2	1-35-795-239	1	KRAAN, , ---->09 01 95
2	1-35-795-302	1	KRAAN, , 10 01 95 ---->
3	190003559562	1	TONNETJE, , L15; ---->09 01 95
4	190003559515	1	MOER, , AL15; ---->09 01 95
5	1-35-795-305	1	LEIDING, , 10 01 95 ---->
6	REF	-	INSTRUCTION, , Siehe Seite(n) vorne/See Page(s) before/Voir Page/s) avant/Se side (r ) forrest/Vedere pagin(a/e) precedent(e/i)
7	1-35-795-205	2	VIJZELSCHROEF,
8	1-35-795-206	2	VIJZELSCHROEF,
9	1-35-795-304	1	FLEXIBELE BUIS,
10	REF	-	INSTRUCTION, , Siehe Seite(n) vorne/See Page(s) before/Voir Page/s) avant/Se side (r ) forrest/Vedere pagin(a/e) precedent(e/i)

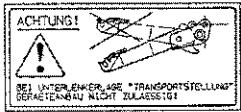
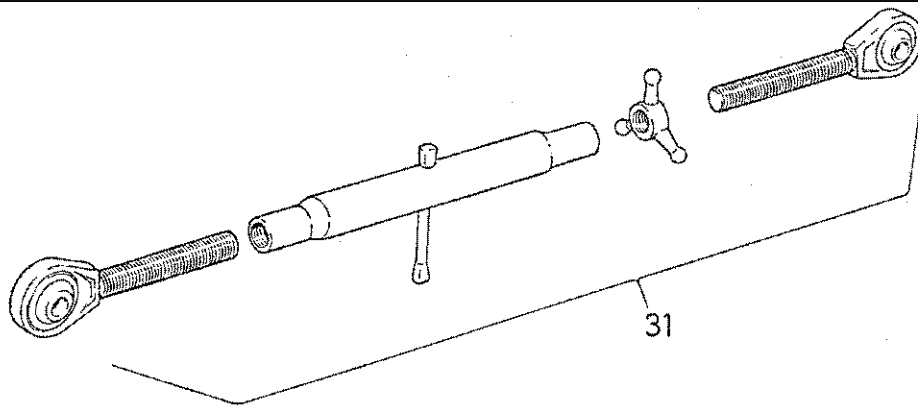




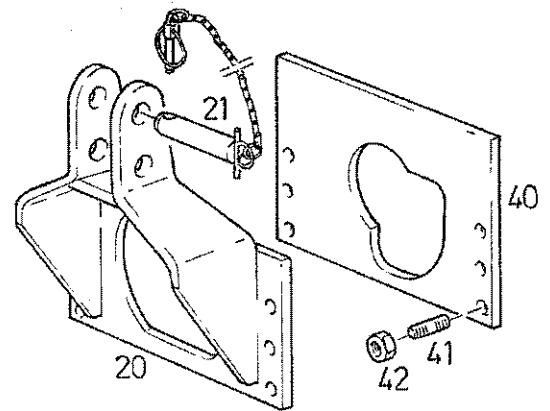
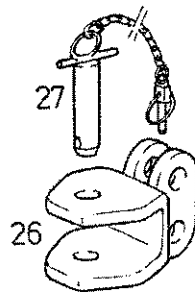
Ref	Onderdeelnummer	Kwt	Beschrijving
	1-35-195-113	1	SATZ, ---->01365; Einschließlich/Includes/Avec/Inklusive/Compreso 1
1	1-35-795-240	1	FLEXIBELE BUIS,
2	1-35-795-304	1	FLEXIBELE BUIS,
3	1-35-795-205	2	VIJZELSCHROEF,
4	1-35-795-206	2	VIJZELSCHROEF,
5	REF	-	INSTRUCTION, , Siehe Seite(n) vorne/See Page(s) before/Voir Page(s) avant/Se side (r ) forrest/Vedere pagin(a/e) precedent(e/i)
6	REF	-	INSTRUCTION, , Siehe nächste Seite(n)/See next page(s)/Voir page(s) suivante(s)/Se næste side (r ) /Vedere pagin(a/e) sequent(e/i)
7	REF	-	INSTRUCTION, , Siehe nächste Seite(n)/See next page(s)/Voir page(s) suivante(s)/Se næste side (r ) /Vedere pagin(a/e) sequent(e/i)
	1-35-195-157	1	FLEXIBELE BUIS, , 01366 ---->; Besteht aus/Consists of/Compose de/Bestående af/È composto da 11 - 15, 17 - 22
11	1-35-795-254	1	FLEXIBELE BUIS,
12	1-35-795-252	1	FLEXIBELE BUIS,
13	1-35-795-296	1	STAAF,
14	1-35-795-249	1	STAAF,
15	1-35-795-306	2	ONTLUCHTER,
16	1-35-795-308	2	CYLINDER ASSY., , Siehe nächste Seite(n)/See next page(s)/Voir page(s) suivante(s)/Se næste side (r )/Vedere pagin(a/e) sequent(e/i)
17	1-35-795-248	2	FITTING,
18	1-35-795-247	2	FITTING,
19	1-35-795-246	2	RING, PACKING,
20	1-35-795-250	1	HOUDER,
21	1-35-795-251	1	HOUDER,
22	190003800465	1	SCHROEF, , M8x80-8.8



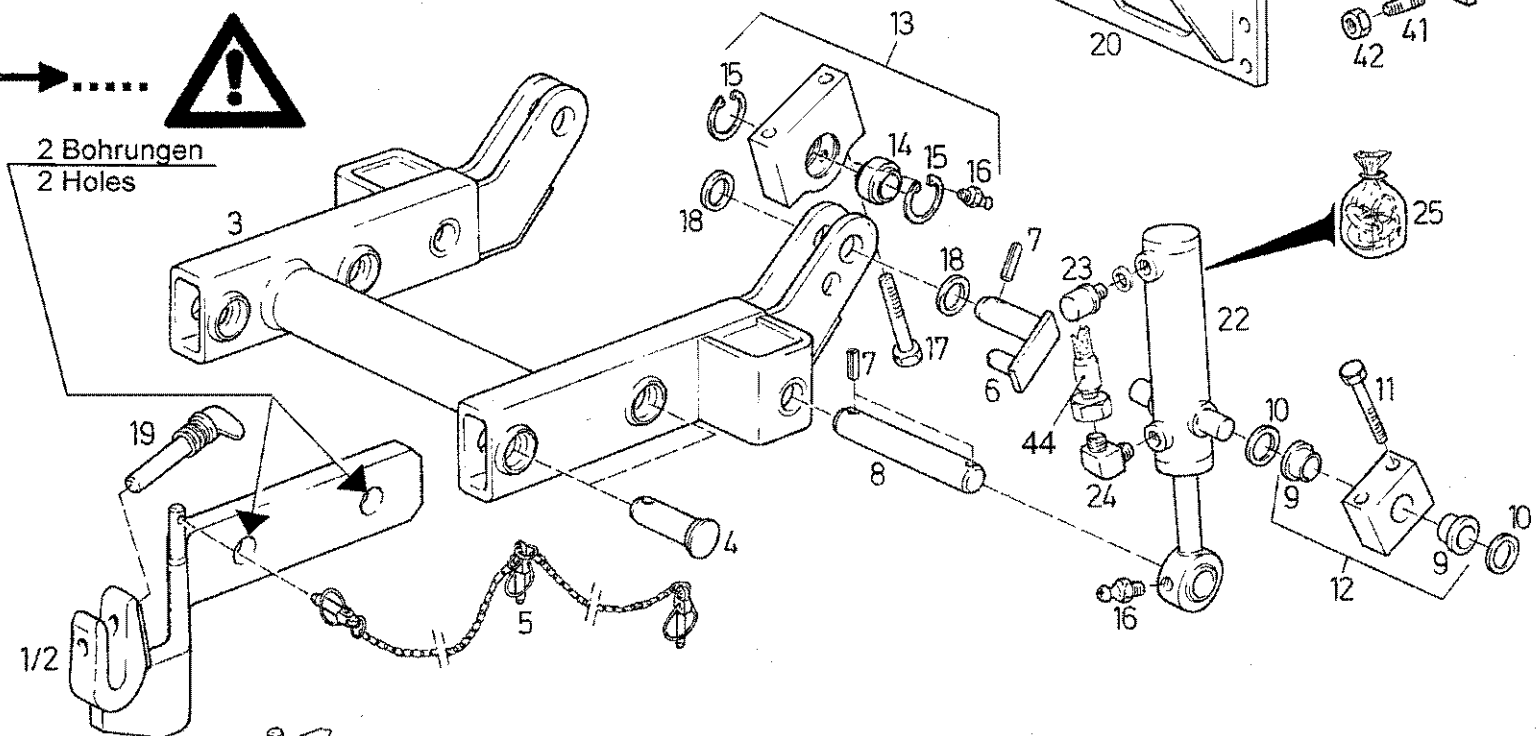
Ref	Onderdeelnummer	Kwt	Beschrijving
	1-35-195-114	1	HEFINRICHTING, HYDRAULISC, , Besteht aus/Consists of/Compose de/Bestående af/È composto da 1 - 11
1	REF	-	INSTRUCTION, , Siehe nächste Seite(n)/See next page(s)/Voir page(s) suivante(s)/Se næste side (r )/Vedere pagin(a/e) sequent(e/i)
2	1-35-795-304	1	FLEXIBELE BUIS,
3	1-35-795-238	1	FLEXIBELE BUIS,
4	1-35-795-303	1	FLEXIBELE BUIS,
5	1-35-795-307	1	FLEXIBELE BUIS,
6	1-35-795-205	2	VIJZELSCHROEF,
7	1-35-795-206	2	VIJZELSCHROEF,
8	1-35-795-239	1	KRAAN, , ---->09 01 95
8	1-35-795-302	1	KRAAN, , 10 01 95 ---->
	190003098020	10	DICHTINGSRING, , A18x22-CU / ---->09 01 95
9	190003559562	1	TONNETJE, , L15 / ---->09 01 95
10	190003559515	1	MOER, , AL15 / ---->09 01 95
11	1-35-795-305	1	LEIDING, , 10 01 95 ---->
12	REF	-	INSTRUCTION, , Siehe Seite(n) vorne/See Page(s) before/Voir Page(s) avant/Se side (r ) forrest/Vedere pagin(a/e) precedent(e/i)



43

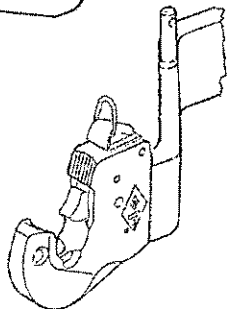


2 Bohrungen  
2 Holes

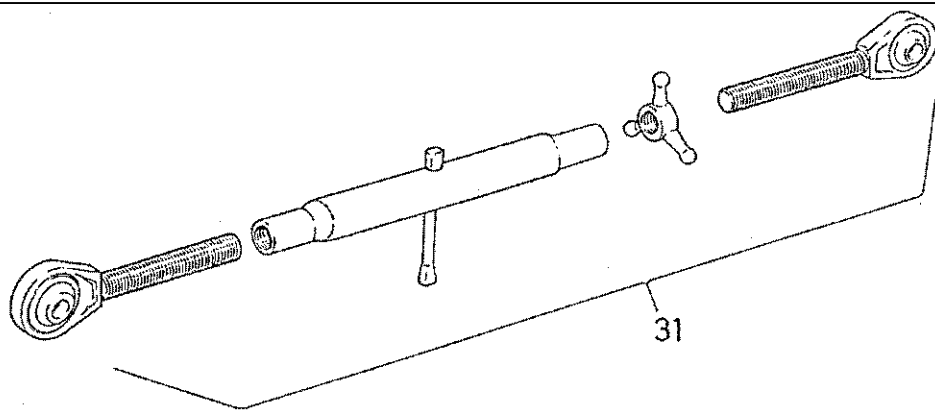


1/2

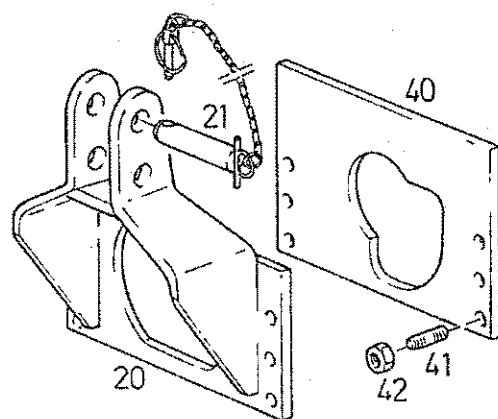
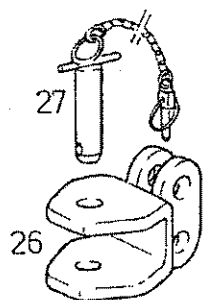
1A/2A



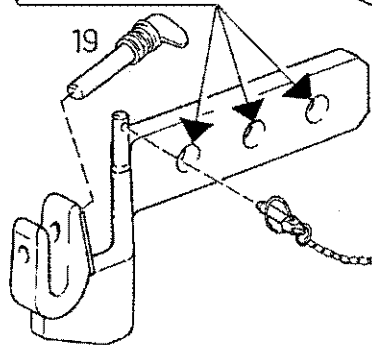
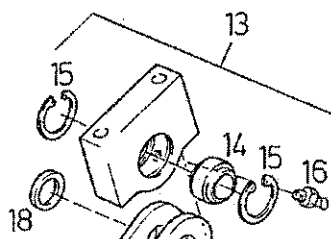
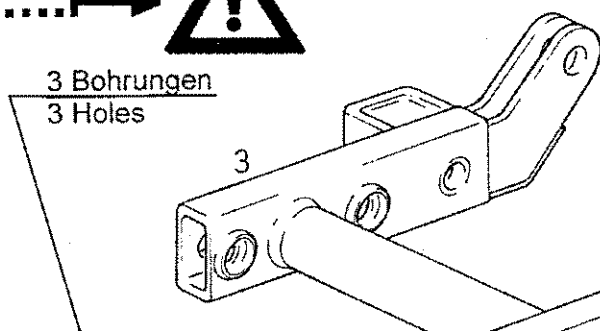
Ref	Onderdeelnummer	Kwt	Beschrijving
	1-35-195-101	1	FRONTHUBWERK, Besteht aus/Consists of/Compose de/Bestående af/È composto da 1, 2, 3 - 28
	1-35-195-014	1	FRONTHUBWERK, SK; Besteht aus/Consists of/Compose de/Bestående af/È composto da 1A, 2A, 3 - 28
1	1-35-795-319	1	HEFARM, , Rechts/Right/Droit/Højre/Destra
1A	299837A1	1	LINK, LOWER, , Rechts/Right/Droit/Højre/Destra
2	1-35-795-320	1	HEFARM, , Links/Left/Gauche/Venstre/Sinistro
2A	299839A1	1	LINK, LOWER, , Links/Left/Gauche/Venstre/Sinistro
3	1-35-795-321	1	DIPPERSTICK,
4	1-35-795-032	4	PIN, LARGE,
5	1-35-795-226	2	SPLITPEN,
6	299843A1	2	PIN, PIVOT,
7	190003909692	4/2	SPANSTIFT, , 12X50
8	299845A1	2	PIN, PIVOT,
9	299846A1	4	LAGERBUS,
10	1-35-795-322	4	SLUITRING, , 35x45x1
11	190003802861	8	SCHROEF, , M16x70-8.8
12	299847A1	2	PIN, PIVOT,
13	299848A1	2	PIN, PIVOT,
14	299849A1	2	KOGELWRIGHT,
15	299850A1	4	SNAP RING,
16	190003963106	2/2	SMEERNIPPEL, M6 x 1, , AM6
17	190003800894	4	SCHROEF, , M20x120-8.8A3C
18	299852A1	4	SLUITRING,
19	135700950044	2	PIN, CROSS,
20	1-35-795-323	1	HOUDER,
21	1-35-795-043	2	PIN, LARGE,
22	299581A1	2	CYLINDER ASSY.,
23	299857A1	2	FILTER,
24	1-35-795-068	2	FITTING,
25	299532A1	1	KIT, GASKET,
26	1-35-795-040	1	HITCH ASSY,
27	1-35-795-041	1	PIN, LARGE,
31	1-35-195-103	1	LINK, UPPER, , ---->. . . .
31	1-35-195-127	1	LINK, UPPER, , . . . ---->04168; Siehe nächste Seite(n)/See next page(s)/Voir page(s) suivante(s)/Se næste side (r )/Vedere pagin(a/e) sequent(e/i)
40	1-35-127-102	1	PLAAT,
41	190003813838	2/4	TAPEIND, , M16X45-8.8
42	832-46416	2	NUT, LOCK, M16 x 2, CI 8, , VM16-8
43	1-35-195-125	1	DECAL,
44	REF	-	INSTRUCTION, , Siehe nächste Seite(n)/See next page(s)/Voir page(s) suivante(s)/Se næste side (r )/Vedere pagin(a/e) sequent(e/i)



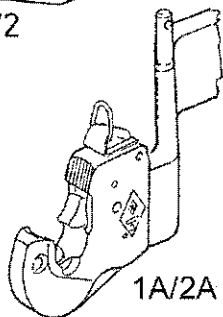
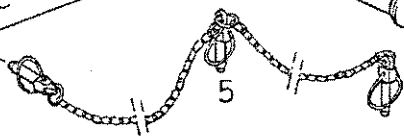
43



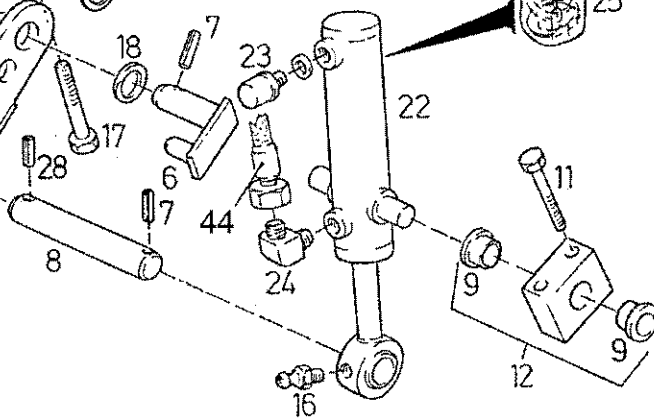
3 Bohrungen  
3 Holes



1/2



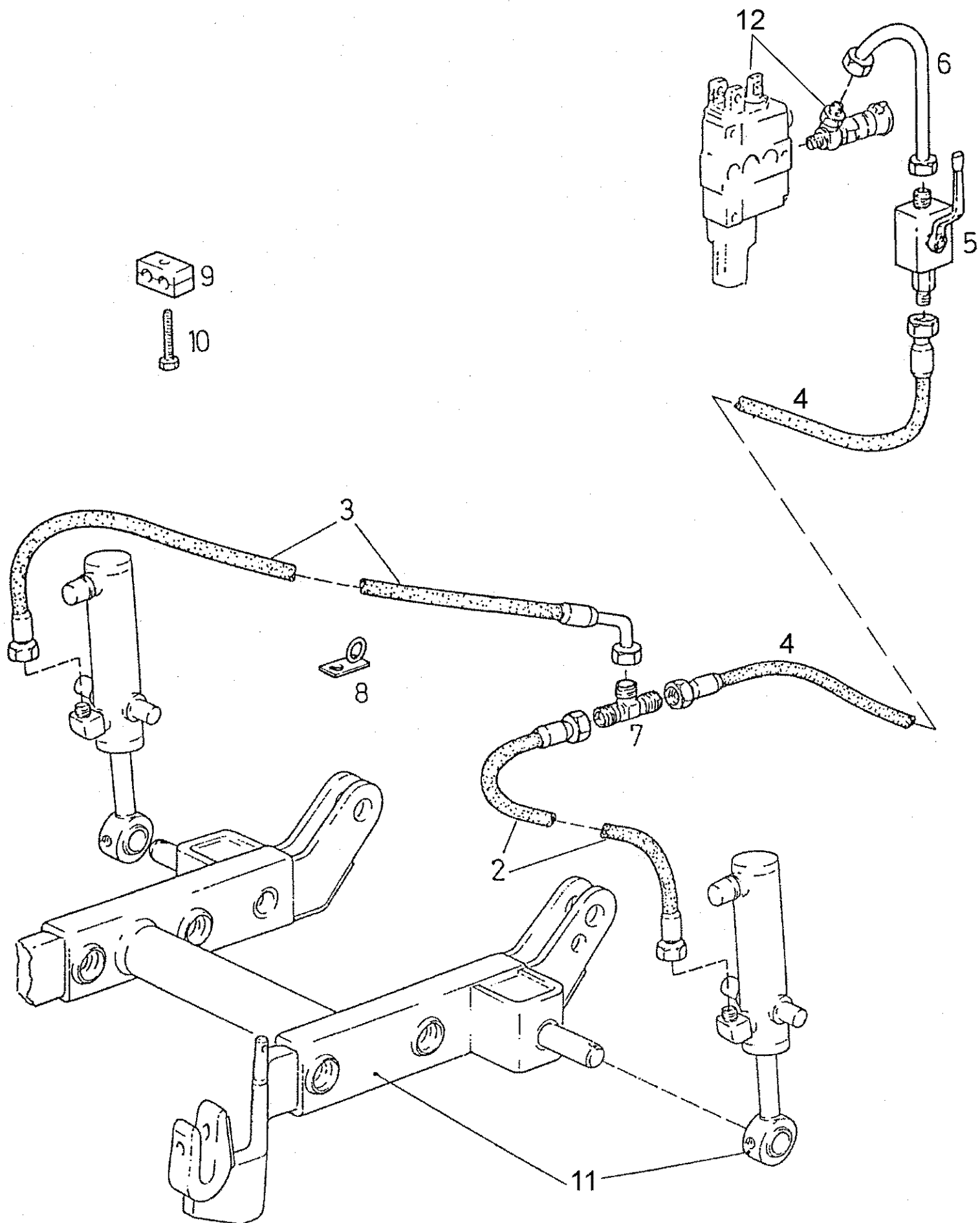
1A/2A



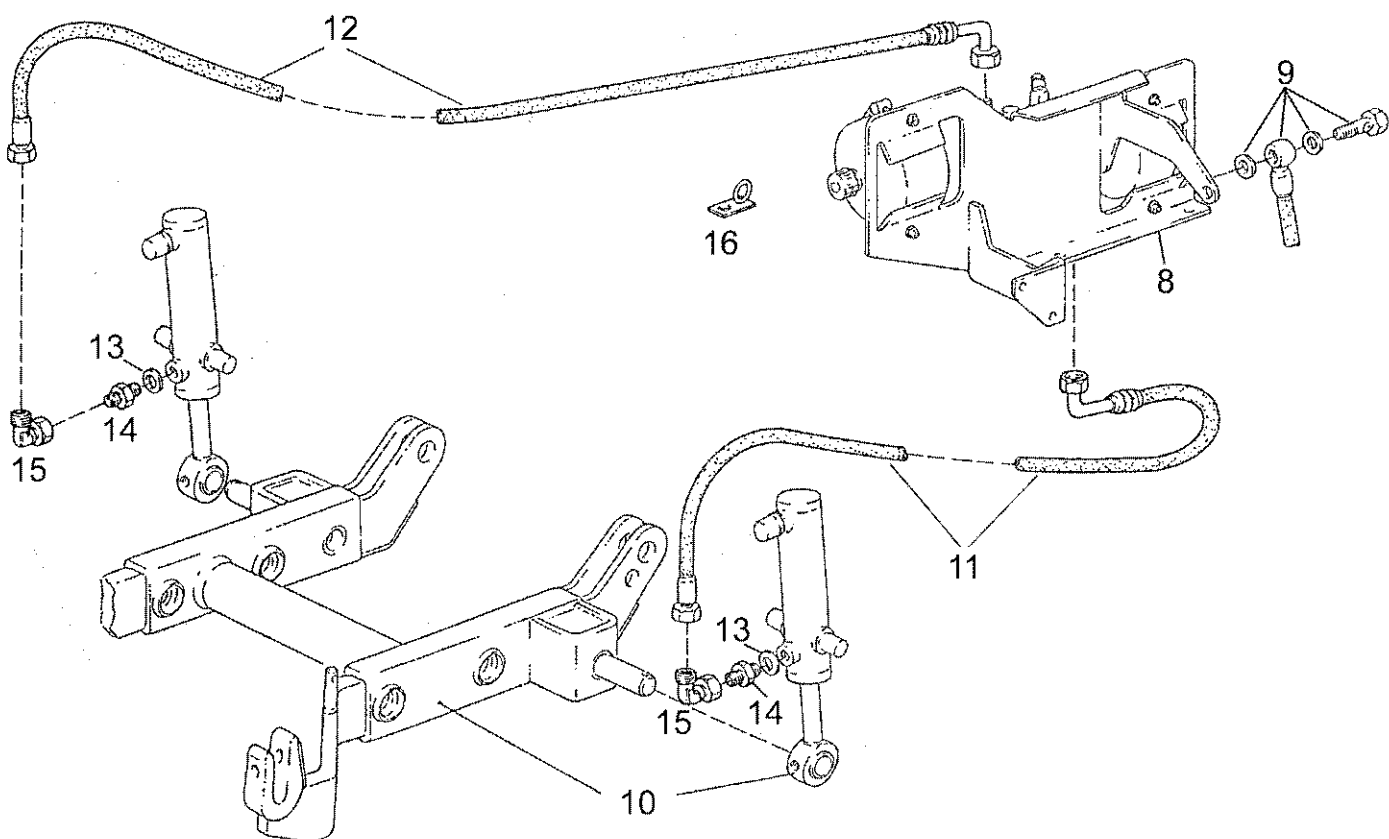
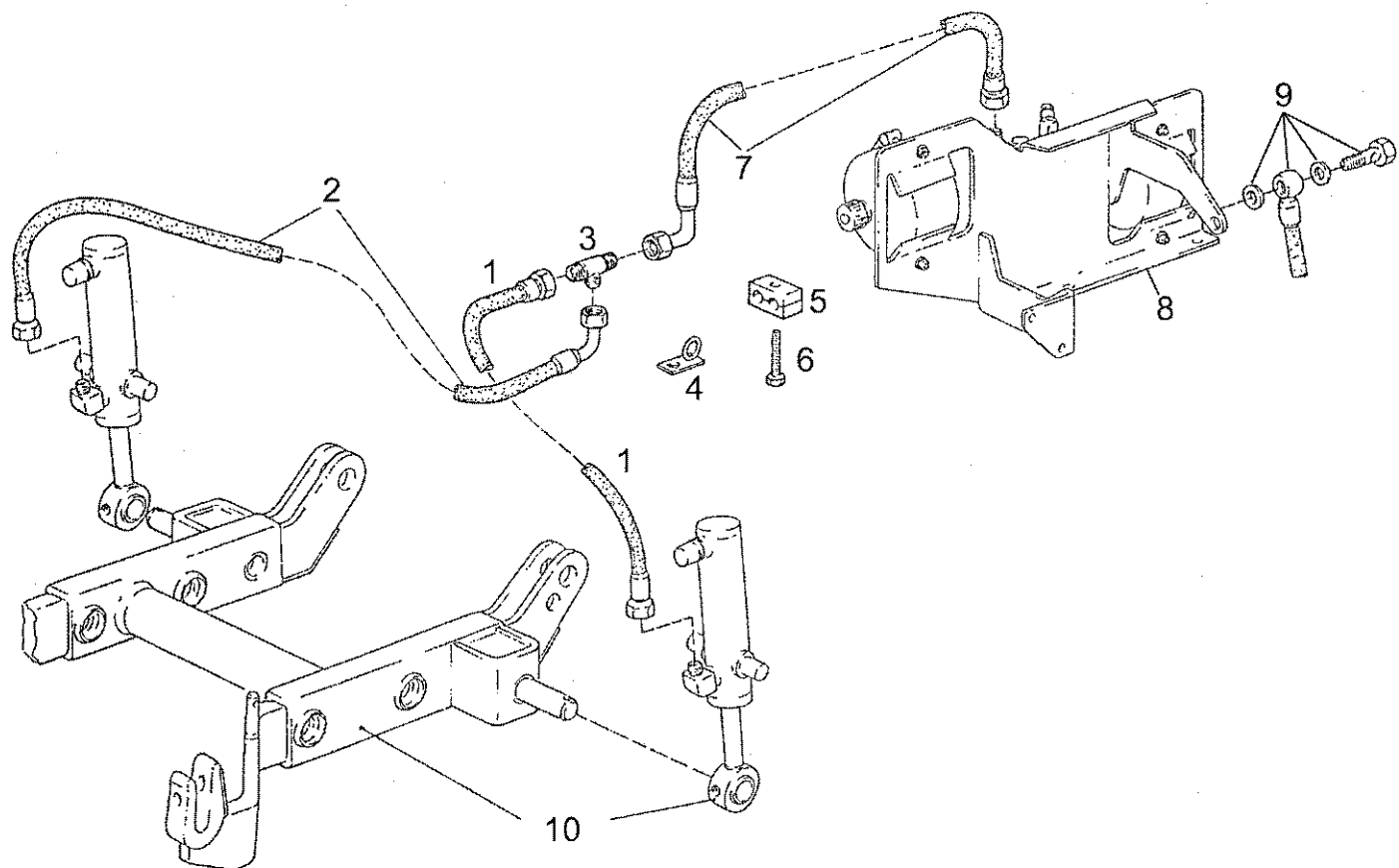
Ref	Onderdeelnummer	Kwt	Beschrijving
	1-35-195-150	1	HEFINRICHTING, HYDRAULISC, FRONTHUBWERK, ---->03575; Besteht aus/Consists of/Compose de/Bestående af/È composto da 1, 2, 3 - 28
	1-35-195-152	1	HEFINRICHTING, HYDRAULISC, , 03576 ---->; Besteht aus/Consists of/Compose de/Bestående af/È composto da 1, 2, 3 - 28
	1-35-195-151	1	HEFINRICHTING, HYDRAULISC, FRONTHUBWERK, SK / ---->03648; Besteht aus/Consists of/Compose de/Bestående af/È composto da 1A, 2A, 3 - 28
	1-35-195-153	1	HEFINRICHTING, HYDRAULISC, , SK / 03649---->; Besteht aus/Consists of/Compose de/Bestående af/È composto da 1A, 2A, 3 - 28
1	299836A1	1	LINK, LOWER, , Rechts/Right/Droit/Højre/Destra
1A	299837A1	1	LINK, LOWER, , Rechts/Right/Droit/Højre/Destra
2	299838A1	1	LINK, LOWER, , Links/Left/Gauche/Venstre/Sinistro
2A	299839A1	1	LINK, LOWER, , Links/Left/Gauche/Venstre/Sinistro
3	299840A1	1	RAAM,
4	299841A1	4	PIN, LARGE,
5	299842A1	2	KETTING (AG),
6	299843A1	2	PIN, PIVOT,
7	190003909692	4/2	SPANSTIFT, , 12X50
8	299845A1	2	PIN, PIVOT,
9	299846A1	4	LAGERBUS,
11	190003802861	8	SCHROEF, , M16x70-8.8
12	299847A1	2	PIN, PIVOT,
13	299848A1	2	PIN, PIVOT,
14	299849A1	2	KOGELWRIGHT,
15	299850A1	4	SNAP RING,
16	190003963106	2/2	SMEERNIPPEL, M6 x 1, , AM6
17	190003800894	4	SCHROEF, , M20x120-8.8A3C
18	299852A1	4	SLUITRING,
19	135700950044	2	PIN, CROSS,
20	1-35-795-323	1	HOUDER,
21	1-35-795-043	2	PIN, LARGE,
22	299581A1	2	CYLINDER ASSY.,
23	299857A1	2	FILTER,
24	1-35-795-068	2	FITTING,
25	299532A1	1	KIT, GASKET,
26	1-35-795-040	1	HITCH ASSY,
27	1-35-795-041	1	PIN, LARGE,
28	190003909683	1	SPANSTIFT, , 12x75
31	1-35-195-127	1	LINK, UPPER, , . . . .---->04168
31	1-35-195-131	1	LINK, UPPER, , 04169 ---->; Siehe nächste Seite(n)/See next page(s)/Voir page(s) suivante(s)/Se næste side (r )/Vedere pagin(a/e) sequent(e/i)
40	1-35-127-102	1	PLAAT,

Ref	Onderdeelnummer	Kwt	Beschrijving
41	190003813838	2/4	TAPEIND, , M16X45-8.8
42	832-46416	2	NUT, LOCK, M16 x 2, CI 8, , VM16-8
43	1-35-195-125	1	DECAL,
44	REF	-	INSTRUCTION, , Siehe nächste Seite(n)/See next page(s)/Voir page(s) suivante(s)/Se næste side (r )/Vedere pagin(a/e) seguent(e/i)

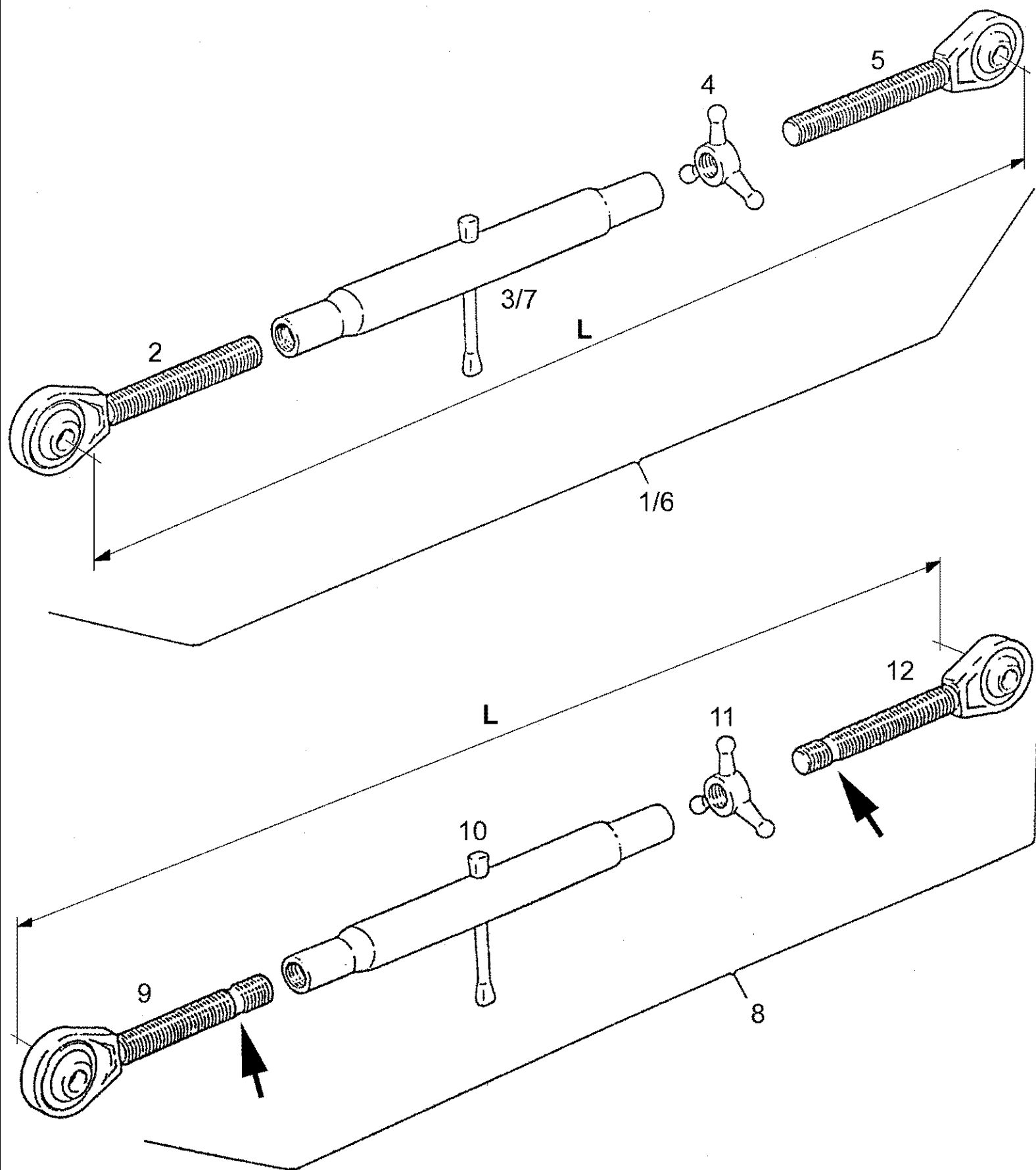




Ref	Onderdeelnummer	Kwt	Beschrijving
	1-35-195-104	1	TUBE ASSY. , , Besteht aus/Consists of/Compose de/Bestående af/È composto da 2 - 10
2	1-35-795-325	1	FLEXIBELE BUIS, , Links/Left/Gauche/Venstre/Sinistro
3	1-35-795-326	1	FLEXIBELE BUIS, , Rechts/Right/Droit/Højre/Destra
4	1-35-795-327	1	FLEXIBELE BUIS, , L = 2700mm
5	299865A1	1	KRAAN,
6	1-35-795-328	1	DRUKLEIDING,
7	1-35-795-329	1	VERBINDING,
8	1-35-795-330	2	HOUDER,
9	1-33-147-033	1	KLEM,
10	190003800467	1	SCHROEF, , M8x75-8.8
11	REF	-	INSTRUCTION, , Siehe Seite(n) vorne/See Page(s) before/Voir Page/s) avant/Se side (r ) forrest/Vedere pagin(a/e) precedent(e/i)
12	REF	-	INSTRUCTION, , Siehe Seite(n) vorne/See Page(s) before/Voir Page/s) avant/Se side (r ) forrest/Vedere pagin(a/e) precedent(e/i)

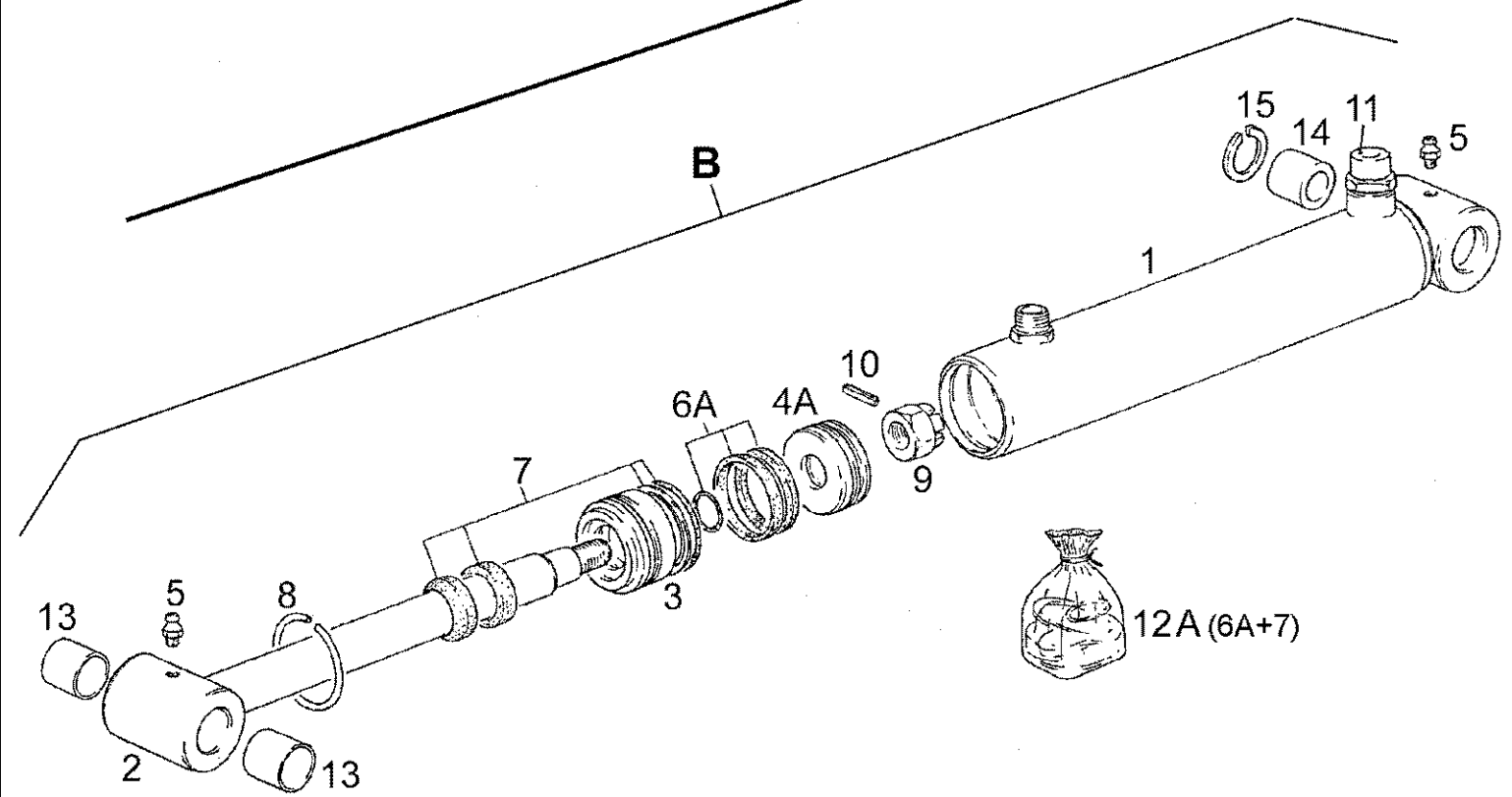
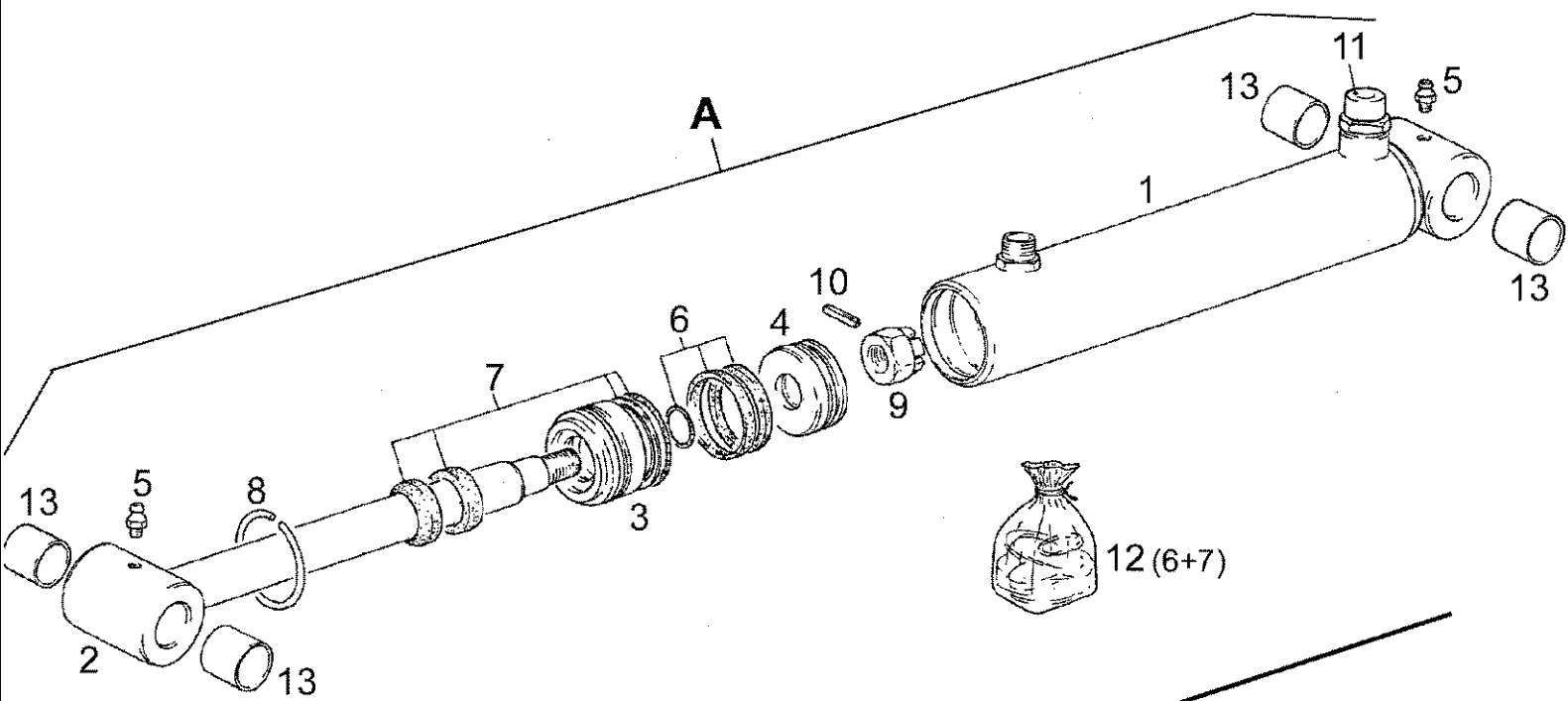


Ref	Onderdeelnummer	Kwt	Beschrijving
	1-35-195-105	1	SATZ, ---->01723; Besteht aus/Consists of/Compose de/Bestående af/È composto da 1 - 7
1	1-35-795-326	1	FLEXIBELE BUIS, , L = 1240mm
2	1-35-795-325	1	FLEXIBELE BUIS, , L = 760mm
3	1-35-795-329	1	VERBINDING,
4	1-35-795-330	2	HOUDER,
5	1-33-147-033	1	KLEM,
6	190003800467	1	SCHROEF, , M8x75-8.8
7	1-35-795-324	1	FLEXIBELE BUIS, , L = 1400mm
8	REF	-	INSTRUCTION, , Siehe nächste Seite(n)/See next page(s)/Voir page(s) suivante(s)/Se næste side (r )/Vedere pagin(a/e) seguent(e/i)
9	REF	-	INSTRUCTION, , Siehe Seite(n) vorne/See Page(s) before/Voir Page/s) avant/Se side (r ) forrest/Vedere pagin(a/e) precedent(e/i)
10	REF	-	INSTRUCTION, , Siehe Seite(n) vorne/See Page(s) before/Voir Page/s) avant/Se side (r ) forrest/Vedere pagin(a/e) precedent(e/i)
	1-35-195-205	1	FLEXIBELE BUIS, SATZ, 01724 ---->; Besteht aus/Consists of/Compose de/Bestående af/È composto da 11 - 16
11	1-35-795-334	1	FLEXIBELE BUIS, , L = 2800mm
12	1-35-795-333	1	FLEXIBELE BUIS, , L = 2300mm
13	190003098016	2	DICHTINGSRING, , A16x20-CU
14	1-35-795-332	2	FITTING,
15	1-35-795-331	2	FITTING,
16	1-35-795-330	2	HOUDER,



## 08-58(01) FRONT POWER LIFT - UPPER LINK

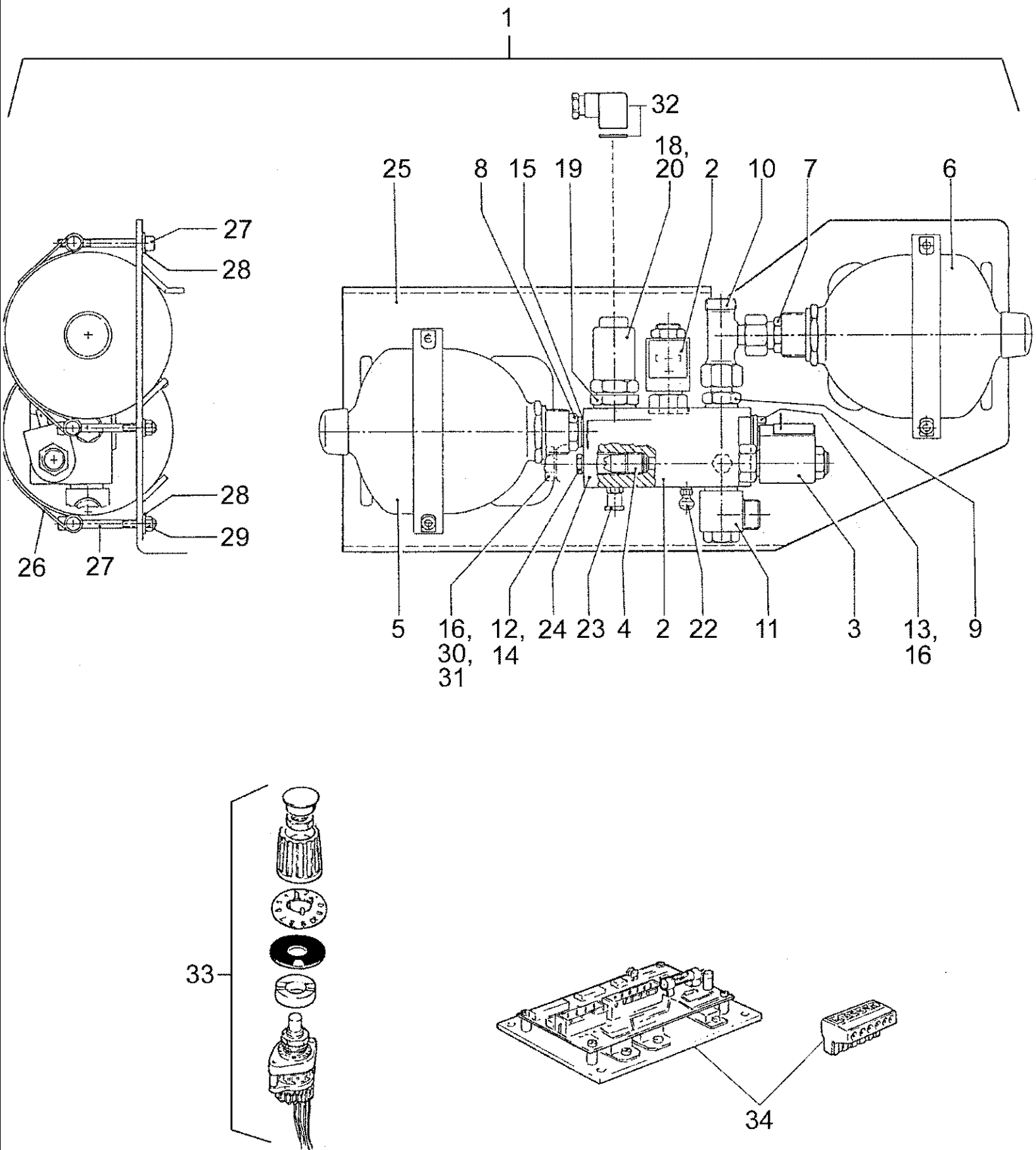
Ref	Onderdeelnummer	Kwt	Beschrijving
1	1-35-195-103	1	LINK, UPPER, , L = 470 - 705mm / ---->. . . .; Besteht aus/Consists of/Compose de/Bestående af/È composto da 2 - 5
2	1-35-795-004	1	OOGBOUT,
3	1-35-795-005	1	BUISJE,
4	1-35-795-006	1	BLINDMOER,
5	1-35-795-007	1	OOGBOUT,
6	1-35-195-127	1	LINK, UPPER, , L = 450 - 675mm / . . . ---->04168; Besteht aus/Consists of/Compose de/Bestående af/È composto da 2, 4, 5, 7
7	1-35-795-316	1	OPVULPIJP,
8	1-35-195-131	1	LINK, UPPER, , L = 450 - 675mm / 04169 ---->; Besteht aus/Consists of/Compose de/Bestående af/È composto da 9 - 12
9	1-35-795-317	1	KOGELGEWRIGHT,
10	1-35-795-316	1	OPVULPIJP,
11	1-35-795-006	1	BLINDMOER,
12	1-35-795-318	1	KOGELGEWRIGHT,



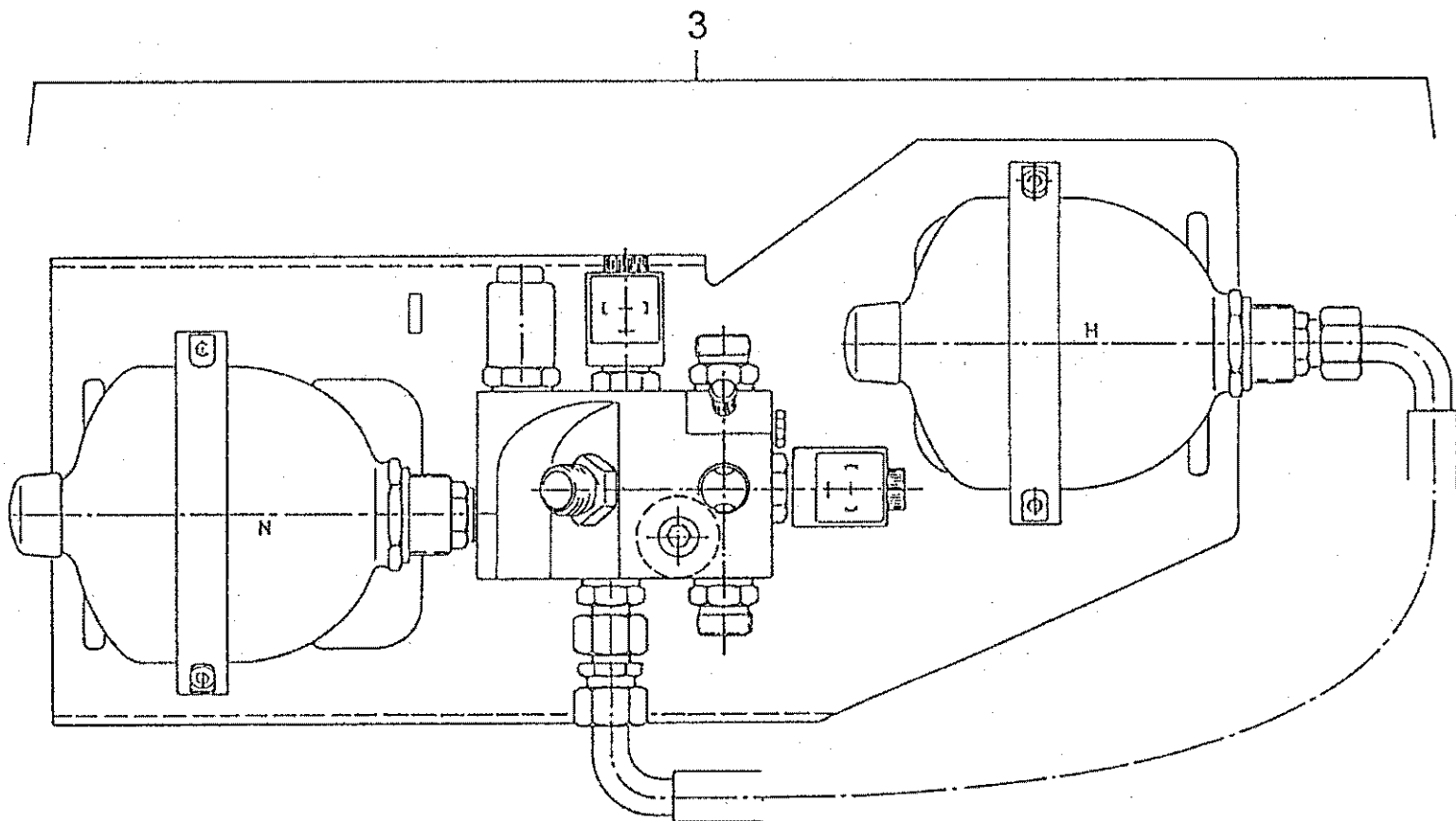
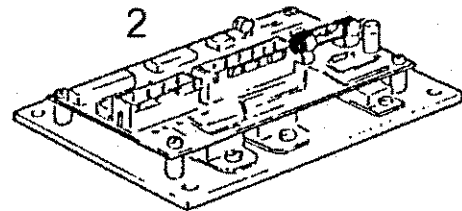
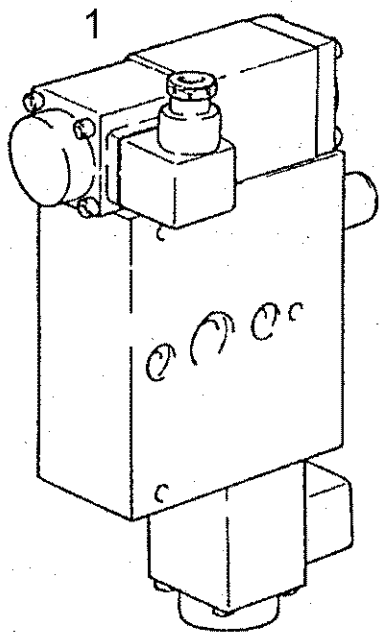
## 08-59(01) FRONT POWER LIFT - HYDRAULIC CYLINDERS

Ref	Onderdeelnummer	Kwt	Beschrijving
A	1-35-795-084	1	CYLINDER, , Standard - Besteht aus/Consists of/Compose de/Bestående af/È composto da 1 - 13
B	1-35-795-308	1	CYLINDER ASSY., , Mit/With/Avec/Med/Con EGE - Besteht aus/Consists of/Compose de/Bestående af/È composto da 1 - 3, 4A, 5, 6A, 7 - 11, 12A, 13 - 15
1	NSS	-	NIET ALLEEN VERKRIJGBAAR,
2	1-35-795-310	1	STAAK,
3	1-35-795-311	1	LAGERBUS,
4	1-35-795-242	1	KRIKPLUNJER,
4A	299806A1	1	ZUIGER,
5	190003963106	2	SMEERNIPPEL, M6 x 1, , AM6
6	1-35-795-241	1	KIT, GASKET,
6A	1-35-795-312	1	KIT, GASKET,
7	1-35-795-313	1	KIT, GASKET,
8	1-35-795-314	1	BOORGVEER,
9	190003872363	1	MOER, , M22x1,5-22H-A-A3C
10	190003909618	1	SPANSTIFT, , 4x28
11	1-35-795-306	1	ONTLUCHTER,
12	1-35-795-083	1	DICTINGSSTUK, , Besteht aus/Consists of/Compose de/Bestående af/È composto da 6 + 7
12A		1	, Besteht aus/Consists of/Compose de/Bestående af/È composto da 6A + 7
13	1-35-795-315	2/4	LAGERBUS,
14	1-35-795-309	1	LAGER,
15	1-35-795-243	1	BOORGVEER,

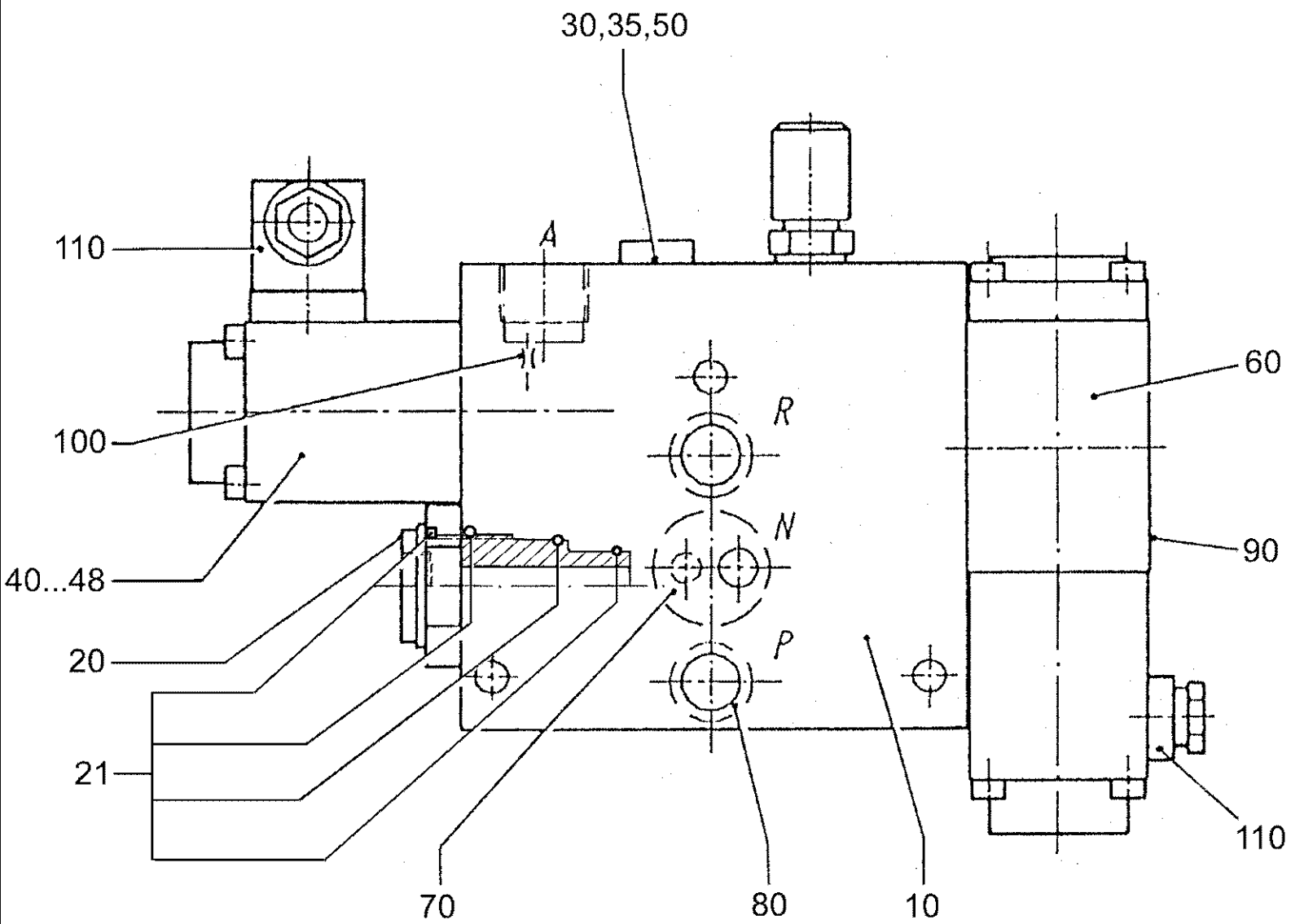




Ref	Onderdeelnummer	Kwt	Beschrijving
1	1-35-195-102	1	TANDWIEL, , Besteht aus/Consists of/Composé de/Bestående af/È composto da 2 - 34
2		1	, Ventilblock/Valve block/Plaquette de valve/Ventilblok/Gruppo valvole
3	1-35-795-008	2	VALVE,
4		2	, Ventil/Valve/Soupape/Ventil/Valvola
5		1	, Ausgleichsbehälter/Reservoir/Réservoir/Ekspansionsbeholder/Serbatoio di compensazione
6	1-35-795-011	1	PRESSURE LIMITER, , 40 bar
7		1	, Verschraubung/Fitting/Raccord/Forskruning/Collegamento a vite
8		1	, Verschraubung/Fitting/Raccord/Forskruning/Collegamento a vite
9		1	, Verschraubung/Fitting/Raccord/Forskruning/Collegamento a vite
10		1	, Verschraubung/Fitting/Raccord/Forskruning/Collegamento a vite
11		1	, Verschraubung/Fitting/Raccord/Forskruning/Collegamento a vite
12		2	, Schraube/Screw/Vis/Skrue/Vite; M10x1-ST-A3C
13		1	, Schraube/Screw/Vis/Skrue/Vite
14	190003098011	2	DICHTINGSRING, , A10x16-CU
15	190003098021	1	DICHTINGSRING, , A18x24-CU
16		1	, Dichtungsring/Ring, Seal/Bague étanchéité/Tætningsring/Anello di tenuta
18	190003098015	1	DICHTINGSRING, , A14x20-CU
19		1	, Verschraubung/Fitting/Raccord/Forskruning/Collegamento a vite
20	1-35-795-010	1	SENSOR,
22	1190340259	1	VALVE,
23		1	, Kupplung/Clutch/Embrayage/Kobling/Frizione
24		1	, Aufkleber/Sticker/Étiquette/Mærkat/Adesivo
25		1	, Konsole/Console/Console/Konsoll/Consolle
26		1	, Spanner/Tensioner/Tendeur/Opsspændingsværktøj/Tenditore
27	190003862365	4	SCHROEF, , M6X65-8.8-A2C
28		4	, Sicherungsring/Ring, locking/Anneau d'arret/Sikringsring/Anello di sicurezza
29	190003888608	2	MOER, , VM6-8
30		1	, Ring/Ring/Anneau/Ring/Anello
31		1	, Hohlschraube/Bolt, banjo/Raccord banjo/Hulskrue/Vite cava
32	1-35-795-022	1	PIN, ELECTRIC TERM',
33	REF	-	INSTRUCTION, , Siehe Kapitel 04/See Chapter 04/Voir Chapitre 04/Se kapitel 04/Vedere capitolo 04
34	REF	-	INSTRUCTION, , Siehe Kapitel 04/See Chapter 04/Voir Chapitre 04/Se kapitel 04/Vedere capitolo 04

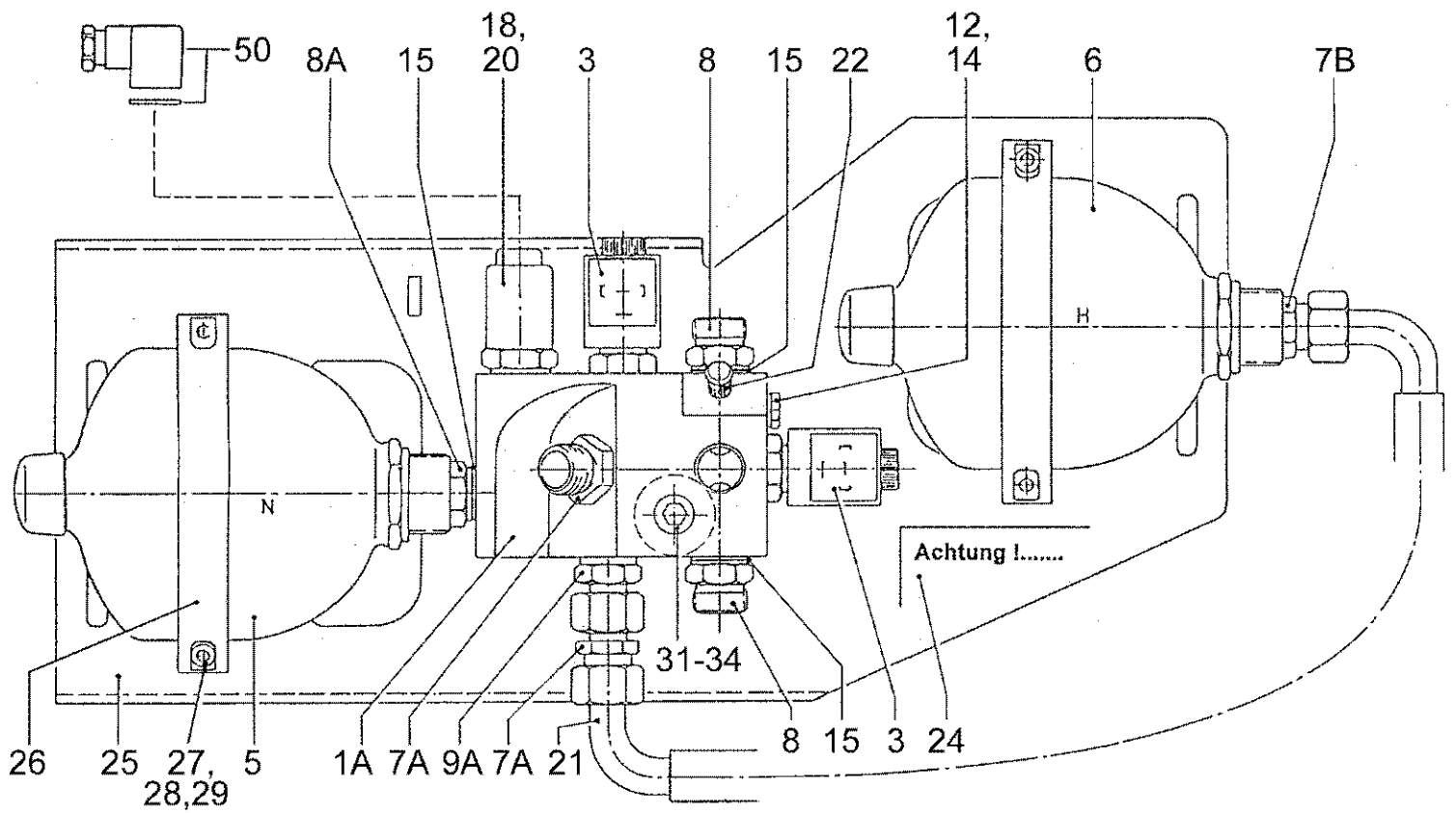
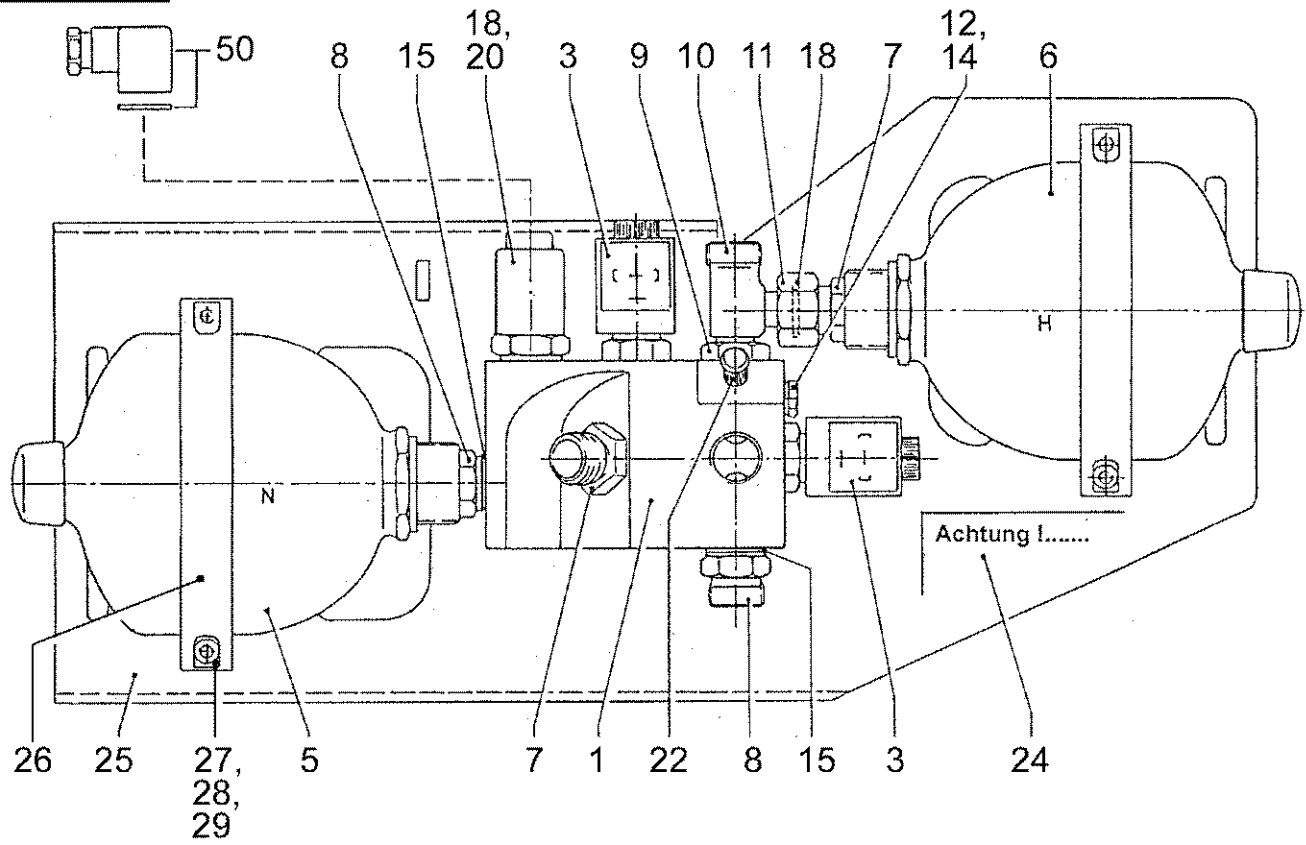


Ref	Onderdeelnummer	Kwt	Beschrijving
	1-35-195-116	1	POMP, , Besteht aus/Consists of/Compose de/Bestående af/È composto da 1 - 3
1	1-35-795-013	1	BEDIENINGSEENHEID, , Siehe nächste Seite(n)/See next page(s)/Voir page(s) suivante(s)/Se næste side (r)/Vedere pagin(a/e) sequent(e/i)
2	REF	1	INSTRUCTION, , Siehe Kapitel 04/See Chapter 04/Voir Chapitre 04/Se kapitel 04/Vedere capitolo 04
3	1-35-795-015	1	VALVE BLOCK, , ---->. . . .
3	1-35-795-016	1	VALVE BLOCK, , . . . ---->; Siehe nächste Seite(n)/See next page(s)/Voir page(s) suivante(s)/Se næste side (r)/Vedere pagin(a/e) sequent(e/i)



## 08-62(01) EGE- AUXILIARY VALVES

Ref	Onderdeelnummer	Kwt	Beschrijving
	1-35-795-013	1	BEDIENINGSEENHEID, , Besteht aus/Consists of/Compose de/Bestående af/È composto da 10 - 110
10	1-35-795-057	1	PLAAT,
20	1-35-795-058	1	VALVE, , Einschließlich/Includes/Avec/Inklusive/Compreso 21
21	1-35-795-231	1	KIT, GASKET,
30	1-35-795-059	1	VERGRENDELING,
35	1-35-795-060	1	VLINDER, , M5/0,6x5
40	1-35-795-052	1	STOOTLAGER,
41	1-35-795-053	1	SPRING, COMPRESSION,
42	1-35-795-054	1	CONNECTION, ELECTRIC,
46	1-35-795-055	1	SCHROEF,
48	1-35-795-056	1	O-RING, , iD23,52x1,78
50	1-35-795-061	1	SCHROEF,
60	1-35-795-062	1	SPOEL,
70	1-35-795-063	1	O-RING, , 25,3x2,4
80	1-35-795-064	2	O-RING, , 16,3x2,4
90	1-35-795-065	4	SCHROEF, , M5x45
100	1-35-795-066	1	WURGPLAATJE, , M5/2,5x4
110	1-35-795-067	2	VERBINDING,



## 08-63(01) EGE--ACCUMULATOR ASSY

Ref	Onderdeelnummer	Kwt	Beschrijving
	1-35-795-015	1	VALVE BLOCK, , ---->. . . .; Besteht aus/Consists of/Compose de/Bestående af/È composto da 1, 3 - 7, 8, 9, 10 - 20, 22 - 29
	1-35-795-016	1	VALVE BLOCK, , . . . .---->; Besteht aus/Consists of/Compose de/Bestående af/È composto da 1A, 3 - 6, 7A, 7B, 8, 8A, 9A, 12 - 34
1		1	, Ventilblock/Valve block/Plaque de valve/Ventilblok/Gruppo valvole
1A	1-35-795-335	1	VALVE,
3	354509A1	2	STOOTLAGER,
	1-35-795-336		KLOS,
5	354556A1	1	PRESSURE LIMITER, , 14 bar
6	1-35-795-011	1	PRESSURE LIMITER, , 40 bar
7		2	, Verschraubung/Fitting/Raccord/Forskruning/Collegamento a vite
7A		3	, Verschraubung/Fitting/Raccord/Forskruning/Collegamento a vite
7B		1	, Verschraubung/Fitting/Raccord/Forskruning/Collegamento a vite
8		2/3	, Verschraubung/Fitting/Raccord/Forskruning/Collegamento a vite
8A		1	, Verschraubung/Fitting/Raccord/Forskruning/Collegamento a vite
9		1	, Mutter/Nut/Ecrou/Møtrik/Dado
9A		1	, Verschraubung/Fitting/Raccord/Forskruning/Collegamento a vite
10		1	, Verschraubung/Fitting/Raccord/Forskruning/Collegamento a vite
11		1	, Mutter/Nut/Ecrou/Møtrik/Dado
12	190003962014	1	PLUG, Hex Wash Hd, M10 x 1, , A-M10x1
14	190003098011	1	DICHTINGSRING, , A10x16-CU
15	190003098021	3	DICHTINGSRING, , A18x24-CU
18	190003098015	1	DICHTINGSRING, , A14x20-CU
20	1-35-795-010	1	SENSOR,
21	1-35-795-258	1	FLEXIBELE BUIS,
22	1190340259	1	VALVE,
24	1-35-795-337	1	PRODUCTAFBEELDING,
25	1-35-795-338	1	SHEET,
26		1	, Spanner/Tensioner/Tendeur/Opspændingsværktøj/Tenditore
27	190003862365	4	SCHROEF, , M6x65-8.8-A2C
28		4	, Sicherungsring/Ring, locking/Anneau d'arret/Sikringsring/Anello di sicurezza
29		2	, Mutter/Nut/Ecrou/Møtrik/Dado
31		3	, Scheibe/Disc/Disque/Rude/Rondella
32	190003862566	1	SCHROEF, , M10x80-8.8-A3
33		1	, Platte/Plate/Plaque/Plade/Piastra
34	100016	1	MOER, M10, CI 8,
50	1-35-795-022	1	PIN, ELECTRIC TERM',

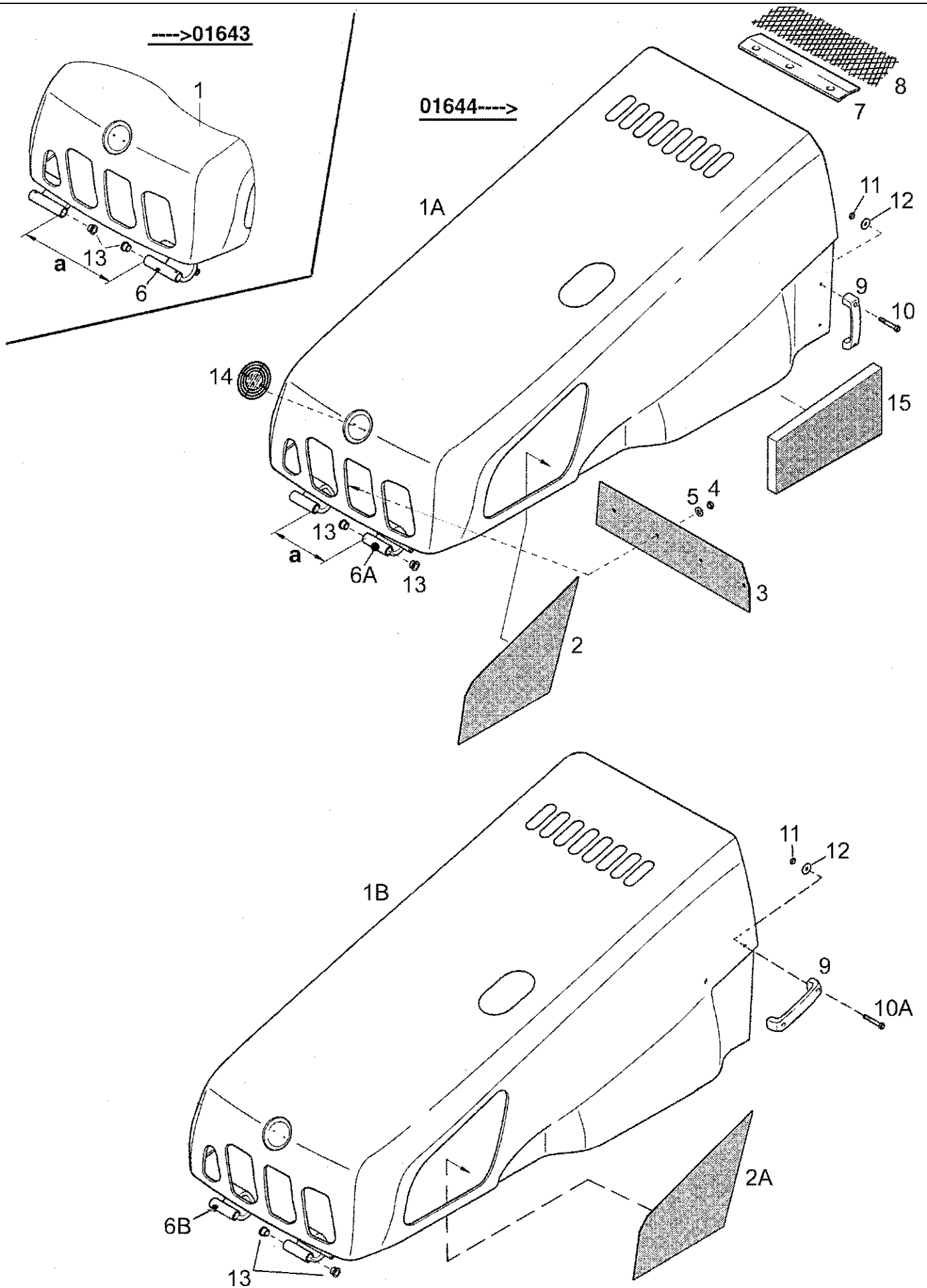






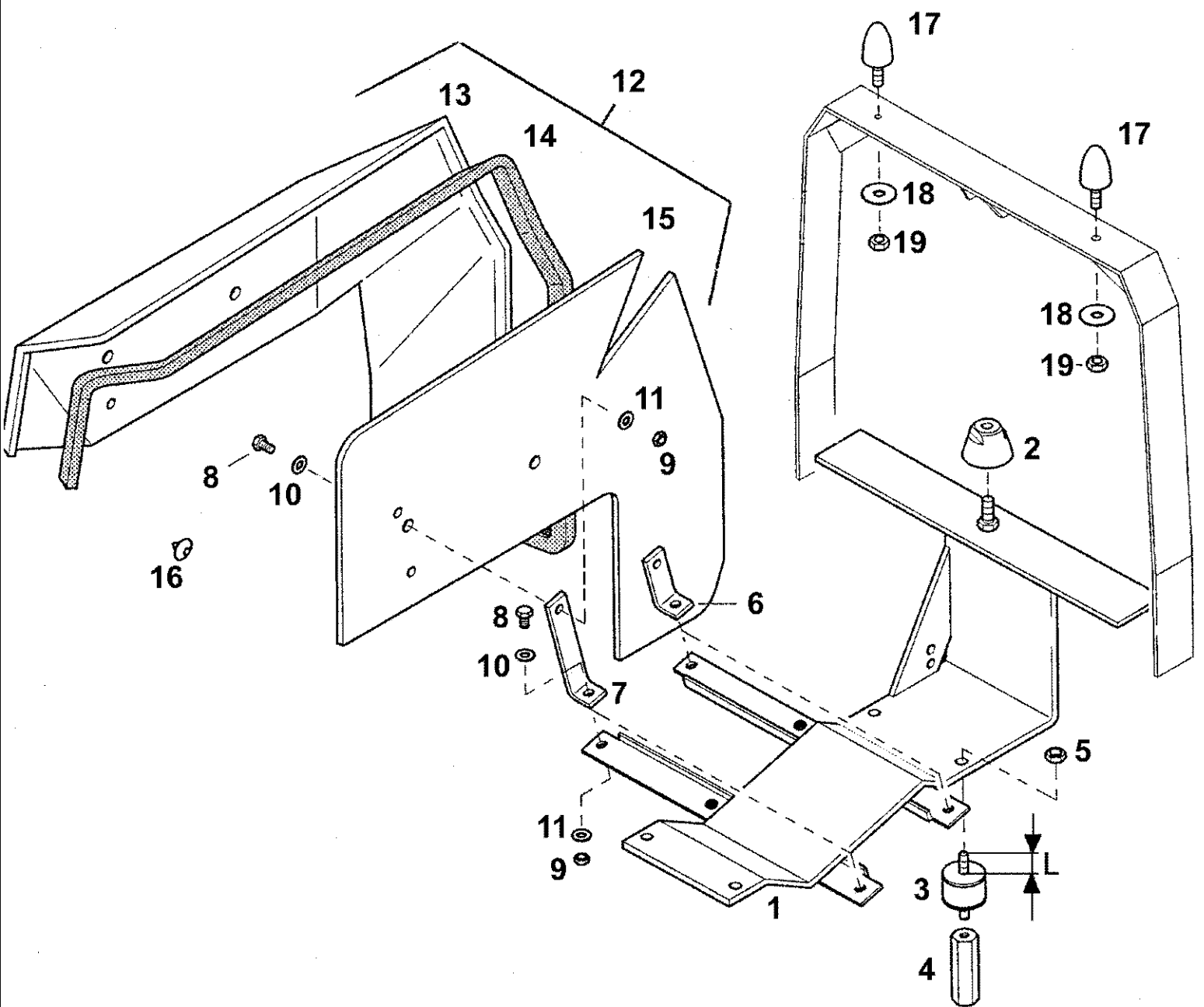
## 09A-01(01) GRILLE AND CONSOLE

Ref	Onderdeelnummer	Kwt	Beschrijving
1	1-34-513-200	1	NO DESCRIPTION, , ---->01643
1A	1-34-513-255	1	HOUDER, , 01644 ---->
2	43151	4	BOUT, Hex, M12 x 20, 8.8, Full Thd, , M12x20-8.8
3	190003936103	1	SLUITRING, , 8,4-140HV-A3C-DIN9021
4	1-34-513-330	1	GRILLE ASSY,
4	1-34-513-340	1	ROOSTER, , Mit Hopfenkabine/With Hops cab/Avec Cabine à houblon/Med Humlekabine/Con Cabina da luppolo
5	16043224	1	BOUT, Hex, M8 x 16, 8.8, Full Thd,
6	1-34-513-343	1	PLATE, SIDE, , Rechts/Right/Droit/Højre/Destra
7	1-34-513-344	1	ZIJWAND, , Links/Left/Gauche/Venstre/Sinistro
8	190003820143	4	SCHROEF, , M6x25-A2/A2T
9	190003820142	4	SCHROEF, , M6x16-A2/A2T
10	190003930041	8	SCHIJF, , 6,4-140HV-A3R
11	190003171396	X	DICHTING, RUBBER, , L = 1460mm
12	1-34-513-236	1	AS,
13	190003802336	1	SCHROEF, , M6x25-8.8
14	1-99-976-015	1	CYLINDER, GAS,
15	43362	1	MOER, M8, CI 10,
16	1-34-513-257	1	LEIBAAN,
17	190003930271	2	SCHIJF, , A10,5-140HV-A3C
18	190003936103	1	SLUITRING, , 8,4-140HV-A3C-DIN9021
19	190003920221	1	SPLITPEN, , 3,2x18
20	190003129481	X	DICHTING, RUBBER, , 15x15, K-8389; L = 400mm
21	1-34-513-334	4	MOER, , M4
22	1-34-513-335	1	MOER, , M8
23	15896221	4	MOER, M6, CI 10, , M6-8-A2C, DIN934
24	190003930251	4	SCHIJF, , A6,4-140HV-A3C



## 09A-02(01) HOODSHEET

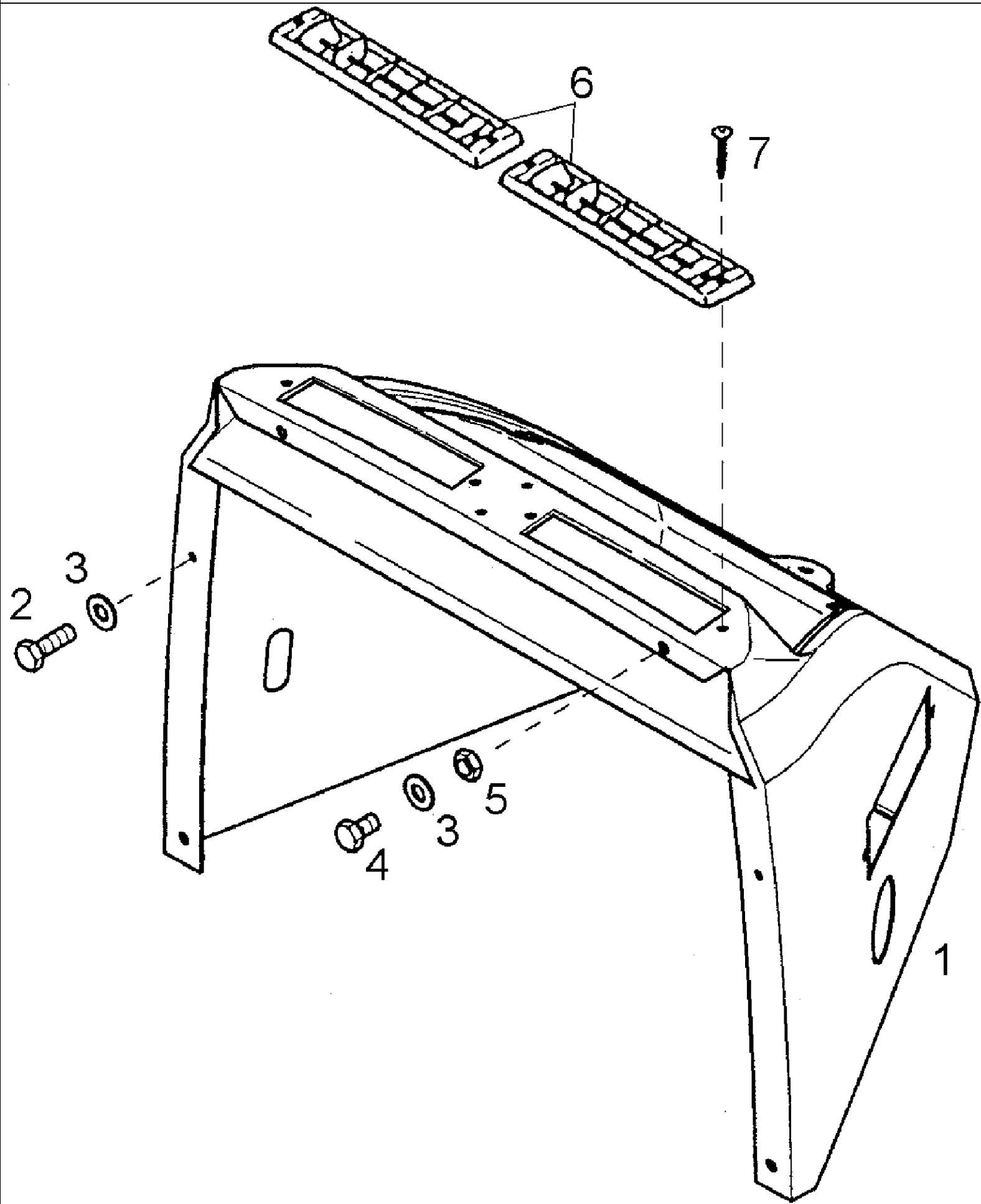
Ref	Onderdeelnummer	Kwt	Beschrijving
1	1-34-513-250	1	HOOD ASSY., , a = 280mm / ---->01643; Einschließlich/Includes/Avec/Inklusive/Compreso 2 - 12
1A	1-34-513-260	1	HOOD ASSY., , a = 256mm / 01644---->; Einschließlich/Includes/Avec/Inklusive/Compreso 2 - 12
1B	1-34-513-460	1	HOOD ASSY., , Mit Hopfenkabine/With Hops cab/Avec Cabine à houblon/Med Humlekabine/Con Cabina da luppolo - Einschließlich/Includes/Avec/Inklusive/Compreso 2A, 3 - 5, 6B, 7 - 9, 10A, 11, 12
2	1-34-513-234	2	SHEET,
2A	1-34-513-284	2	SHEET,
3	1-34-513-235	1	SHEET,
4	15896221	4	MOER, M6, CI 10, , M6-8-A2C, DIN934
5	190003930251	4	SCHIJF, , A6,4-140HV-A3C
8	1-34-513-238	1	ROOSTER,
9	1-34-513-254	1	GRIP,
10	190003860077	2	SCHROEF, , M5x25-8.8
10A	190003862232	2	SCHROEF, , M5x30-8.8-A2C, DIN912
11	825-1405	2	MOER, M5, CI 8,
12	190003930241	2	SLUITRING, , A5,3-140HV-A3C
13	1-34-643-110	2/4	LAGERBUS, , Ø 12,15
14	1-34-613-108	1	MODELIDENTIFIKATIEPLAATJ, , STEYR
15	1-34-513-253	1	MAT,



## 09A-03(01) HOODSHEET-CONSOLES

Ref	Onderdeelnummer	Kwt	Beschrijving
1	1-34-513-213	1	KONSOLE
2	133700550197	1	KNOP,
3	1-34-613-166	4	RUBBEREN LAGERKUSSEN, , L = 23mm
4	1-34-513-252	4	PIN, LARGE,
5	43362	4	MOER, M8, CI 10,
6	1-34-584-229	1	WINKEL
7	1-34-584-231	1	WINKEL
8	120100	4	BOUT, Hex, M6 x 20, 8.8,
9	15896221	4	MOER, M6, CI 10, , M6-8-A2C, DIN934
10	190003936101	8	SLUITRING, , 6,4-140HV-A3C
11	190003930041	8	SCHIJF, , 6,4-140HV-A3R
12	1-34-084-621	1	, Besteht aus/Consists of/Compose de/Bestående af/È composto da 13 - 15
13	NSS	1	NIET ALLEEN VERKRIJGBAAR,
14	190003179066	1	PROFIEL, , 1 K/9195; L = 1900mm
15	1-34-584-219	1	MAT,
16	190003171744	2	PLUG, , A29x12-SW
17	199112930193	2	SCHOKDEMPER,
18	190003937282	2	SCHIJF, , 8,4
19	43362	2	MOER, M8, CI 10,

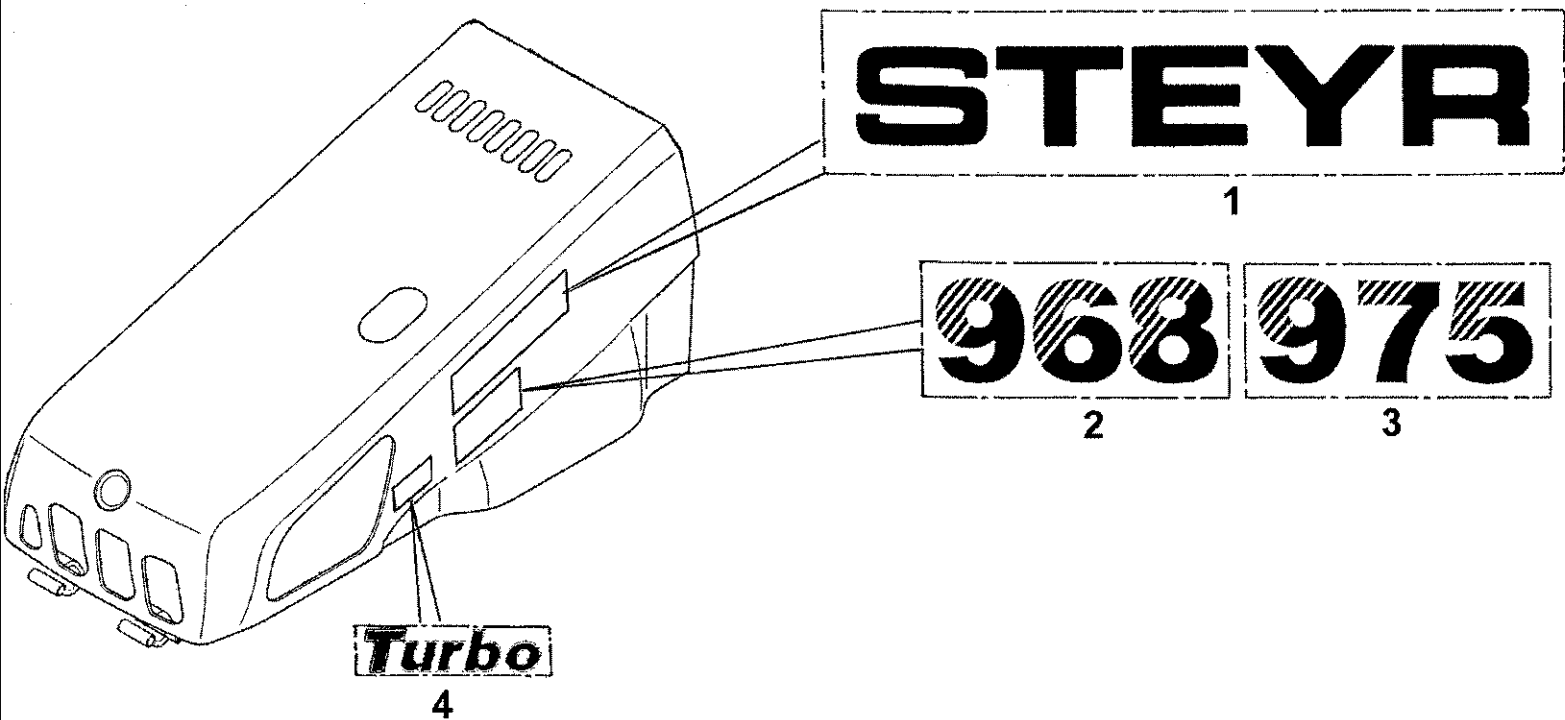
09A-04(01) FRONT INSTRUMENT PANEL





## 09A-04(01) FRONT INSTRUMENT PANEL

Ref	Onderdeelnummer	Kwt	Beschrijving
1	1-34-516-303	1	INSTRUMENTENBORD,
2	43128	4	BOUT, Hex, M8 x 30, 8.8,
3	190003930261	6	SLUITRING, , A8,4
4	16043224	2	BOUT, Hex, M8 x 16, 8.8, Full Thd,
5	43362	2	MOER, M8, CI 10,
6	1-34-184-111	2	SPROEIER,
7	190003844712	4	ZELFTAPPENDE SCHROEF, Cross Csk Hd, M3.5 x 19, , 3,5x19

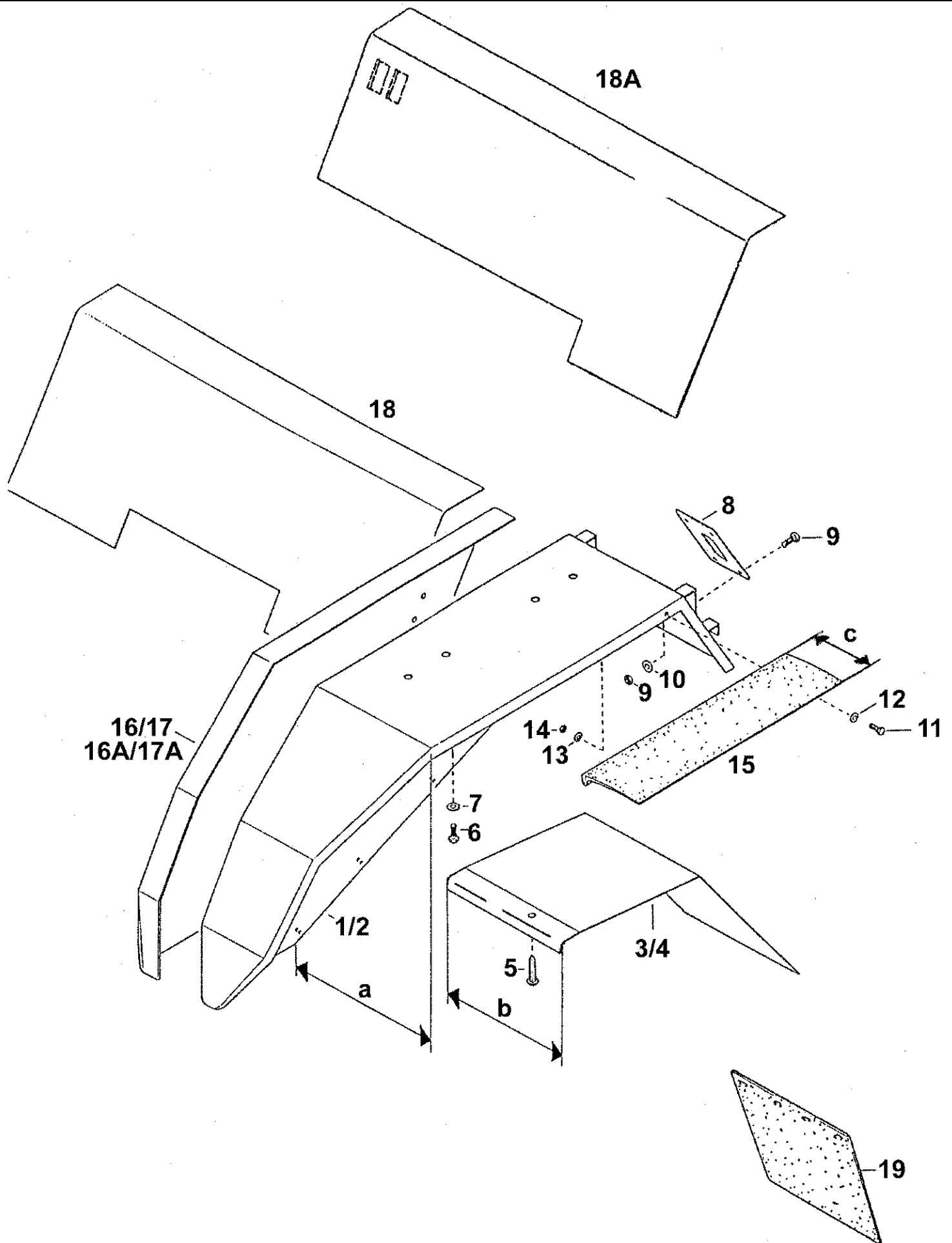


**M-Trac**  
**68** *special* 5

**M-Trac**  
*special* **68** 6

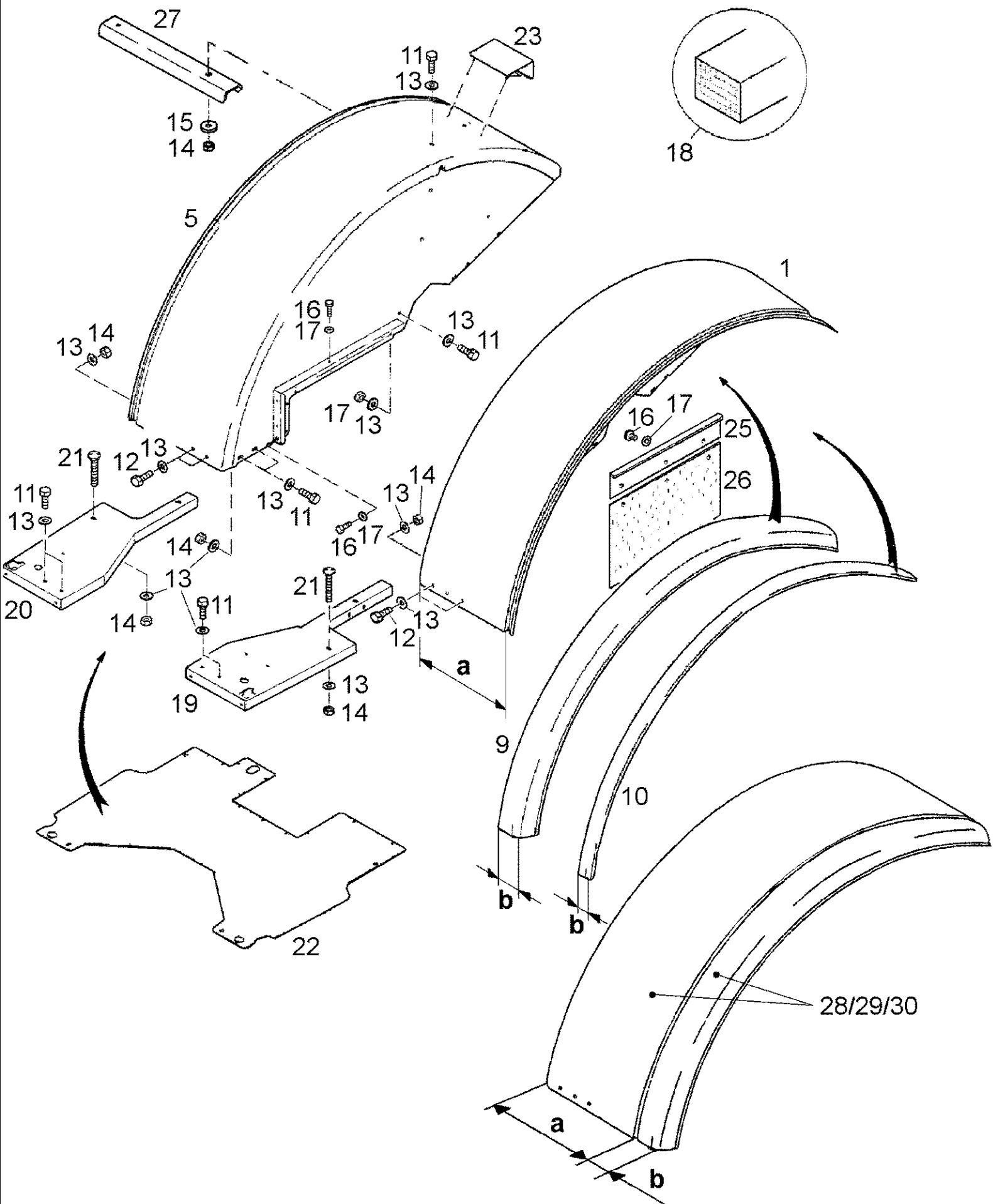
## 09A-05(01) ENGINE HOOD - DECALS

Ref	Onderdeelnummer	Kwt	Beschrijving
1	1-34-577-020	1	DECAL,
2	1-34-577-202	2	MODELIDENTIFIKATIEPLAATJ,
2	1-34-577-205	2	NO DESCRIPTION, AUFKLEBER, Kommunal/Municipal/Municipal/Kommunal/Comunale
2	1-34-577-204	2	NO DESCRIPTION, AUFKLEBER, Forst/Forestry/Forestier/Skov/Forestale
3	1-34-577-201	2	MODELIDENTIFIKATIEPLAATJ,
3	1-34-577-206	2	NO DESCRIPTION, AUFKLEBER, Kommunal/Municipal/Municipal/Kommunal/Comunale
4	1-34-577-023	2	DECAL,
4	1-34-577-049	2	DECAL, , Kommunal/Municipal/Municipal/Kommunal/Comunale
4	1-34-577-048	2	PLAAT, GROOT, , Forst/Forestry/Forestier/Skov/Forestale
5	1-34-677-671	1	DECAL, , Links/Left/Gauche/Venstre/Sinistro
6	1-34-677-669	1	DECAL, , Rechts/Right/Droit/Højre/Destra



## 09A-06(01) REAR FENDERS / SILENCING PARCEL

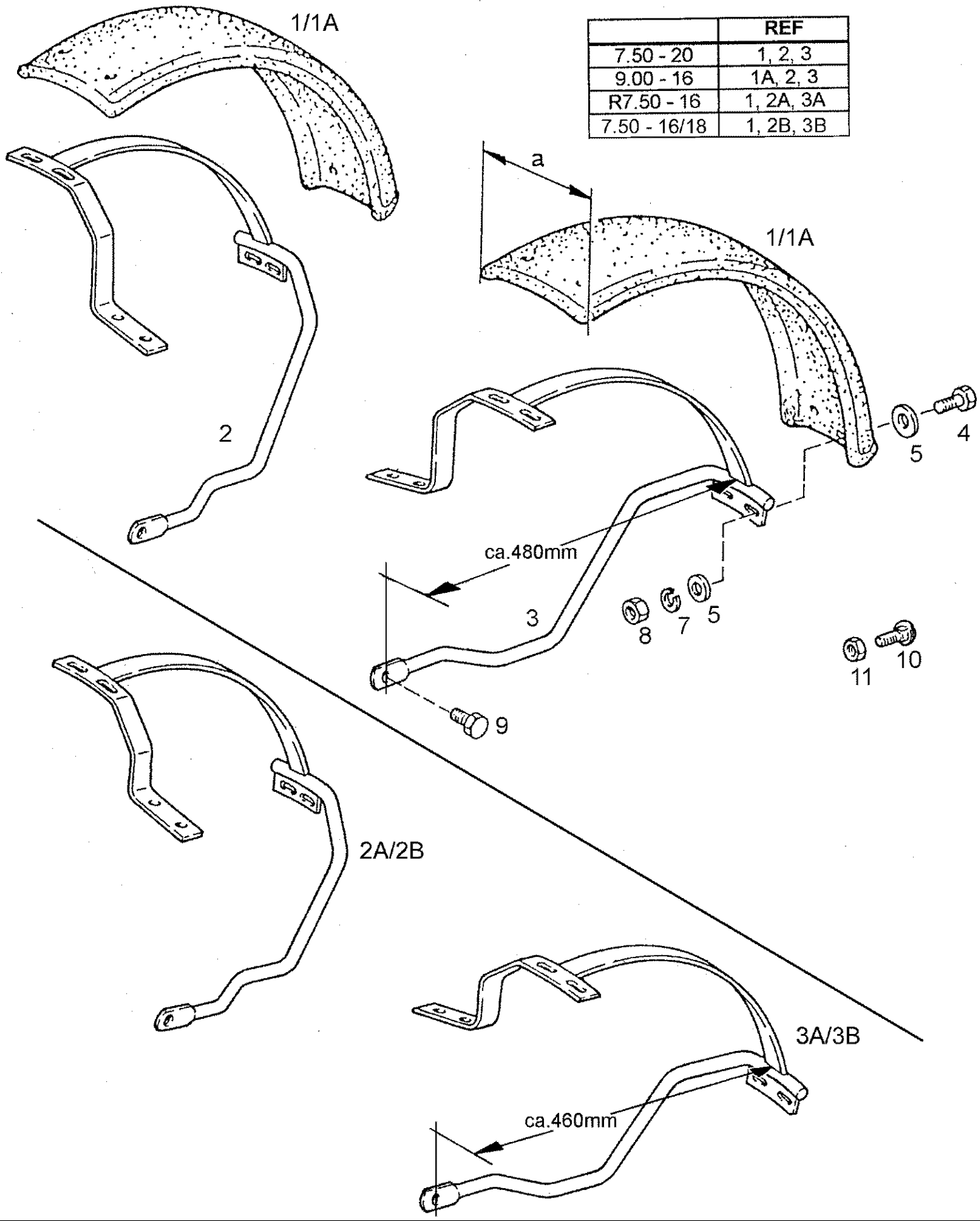
Ref	Onderdeelnummer	Kwt	Beschrijving
1	1-34-525-206	1	FENDER ASSY., , a = 440mm; Rechts/Right/Droit/Højre/Destra
1	1-34-525-215	1	AFSCHERMING, , a = 390mm; Rechts/Right/Droit/Højre/Destra
2	1-34-525-207	1	FENDER ASSY., , a = 440mm; Links/Left/Gauche/Venstre/Sinistro
2	1-34-525-216	1	AFSCHERMING, , a = 390mm; Links/Left/Gauche/Venstre/Sinistro
3	1-34-525-203	1	BESCHERMPLAAT, , b = 200mm; Rechts/Right/Droit/Højre/Destra
3	1-34-525-220	1	BESCHERMPLAAT, , b = 150mm; Rechts/Right/Droit/Højre/Destra
4	1-34-525-204	1	BESCHERMPLAAT, , b = 280mm; Links/Left/Gauche/Venstre/Sinistro
4	1-34-525-212	1	BESCHERMPLAAT, , b = 230mm; Links/Left/Gauche/Venstre/Sinistro
5	190003840014	2	SCHROEF, , ST4,2x13-K-A3C
6	43138	8	BOUT, Hex, M10 x 20, 8.8, Full Thd,
7	190003930271	8	SCHIJF, , A10,5-140HV-A3C
8	1-34-525-105	1	COVER, PROTECTIVE,
9	190003834310	4	SCHROEF, , M6x16-MU
10	190003930271	8	SCHIJF, , A10,5-140HV-A3C
11	120104	10	BOUT, Hex, M8 x 20, 8.8,
12	190003930261	10	SLUITRING, , A8,4
13	190003931102	10	BORGRING, , A8
14	43362	10	MOER, M8, CI 10,
15	1-34-325-033	2	WURGPLAATJE, , c = 87mm
15	1-34-325-028	2	WURGPLAATJE, , c = 45mm
	1-34-569-025	1	SCHALLDÄMMUNG, Schwarz/Black/Noir/Sort/Nero - Besteht aus/Consists of/Compose de/Bestående af/È composto da 16 - 18
16	1-34-569-026	1	COVER, PROTECTIVE, , Rechts/Right/Droit/Højre/Destra
17	1-34-569-007	1	LINING, , Links/Left/Gauche/Venstre/Sinistro
18	1-34-569-027	1	COVER, REAR,
	1-34-569-050	1	ISOLATIESCHUIM, , Grau/Grey/Gris/Grå/Grigio - Besteht aus/Consists of/Compose de/Bestående af/È composto da 16A - 18A
16A	1-34-569-051	1	COVER, PROTECTIVE, , Rechts/Right/Droit/Højre/Destra
17A	1-34-569-052	1	LINING, , Links/Left/Gauche/Venstre/Sinistro
18A	1-34-569-053	1	DEURBEKLEDING,
19	116100232061	2	MUDFLAP,



## 09A-07(01) REAR FENDERS FOR PLANTA-CAB

Ref	Onderdeelnummer	Kwt	Beschrijving
1	354566A1	1	AFSCHERMING, , a = 360mm; Links/Left/Gauche/Venstre/Sinistro
1	354568A1	1	AFSCHERMING, , a = 400mm; Links/Left/Gauche/Venstre/Sinistro
5	340758A1	1	SHIELD, SPLASH, , a = 360mm; Rechts/Right/Droit/Højre/Destra
5	340760A1	1	SHIELD, SPLASH, , a = 400mm; Rechts/Right/Droit/Højre/Destra
9	340762A1	2	VERLENGSTUKKEN VOOR SPATB, , b = 110mm
10	1-34-525-110	2	VERLENGSTUKKEN VOOR SPATB, , b = 50mm
11	120104	12	BOUT, Hex, M8 x 20, 8.8,
12	43127	4	BOUT, Hex, M8 x 25, 8.8,
13	190003930261	30	SLUITRING, , A8,4
14	190003888451	14	MOER, , VM8-8
15	340765A1	2	SLUITRING,
16	86508568	6	BOUT, Hex, M6 x 16, 8.8,
17	190003930261	6	SLUITRING, , A8,4
18	340767A1	2	DICHTING, RUBBER, , 10x15; L = 1m
19	340768A1	1	SUPPORT, , Links/Left/Gauche/Venstre/Sinistro
20	340769A1	1	SUPPORT, , Rechts/Right/Droit/Højre/Destra
21	190003834451	2	SCHROEF, , M8x50-MU
22	354570A1	1	FLOOR,
23	340771A1	2	DRAAGARM,
25	1-34-525-417	1	HOEKSTUK,
26	1-34-525-418	1	COVER,
27	354571A1	2	BEVESTIGINGSSTRIP,
28	1-34-525-114	X	SHIELD, SPLASH, , a = 360mm, b = 50mm
29	1-34-525-111	X	RUBBER, , a = 360mm, b = 110mm
30	1-34-525-112	X	RUBBER, , a = 400mm, b = 110mm

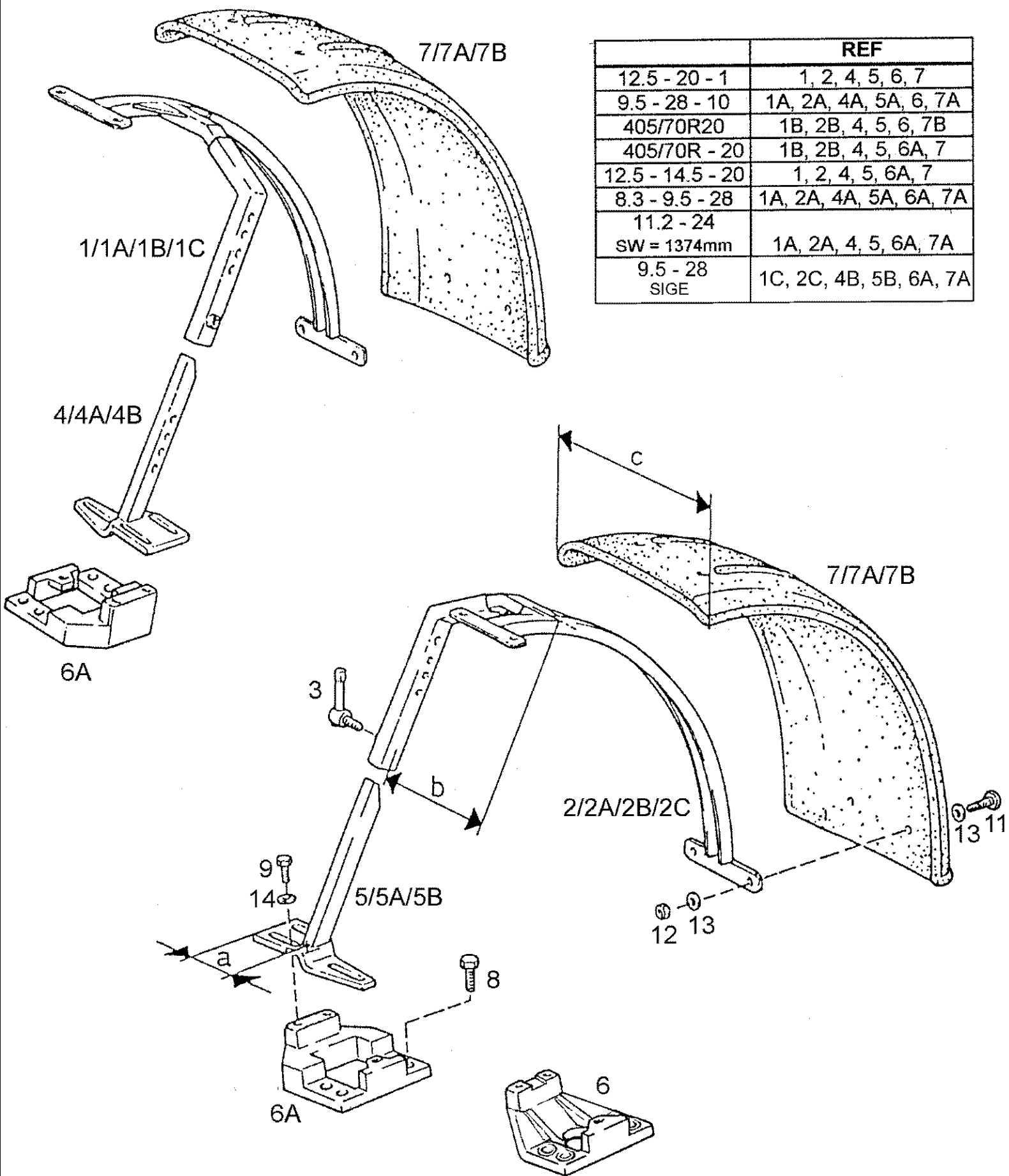
	REF
7.50 - 20	1, 2, 3
9.00 - 16	1A, 2, 3
R7.50 - 16	1, 2A, 3A
7.50 - 16/18	1, 2B, 3B





## 09A-08(01) FRONT MUDGUARD, 2WD

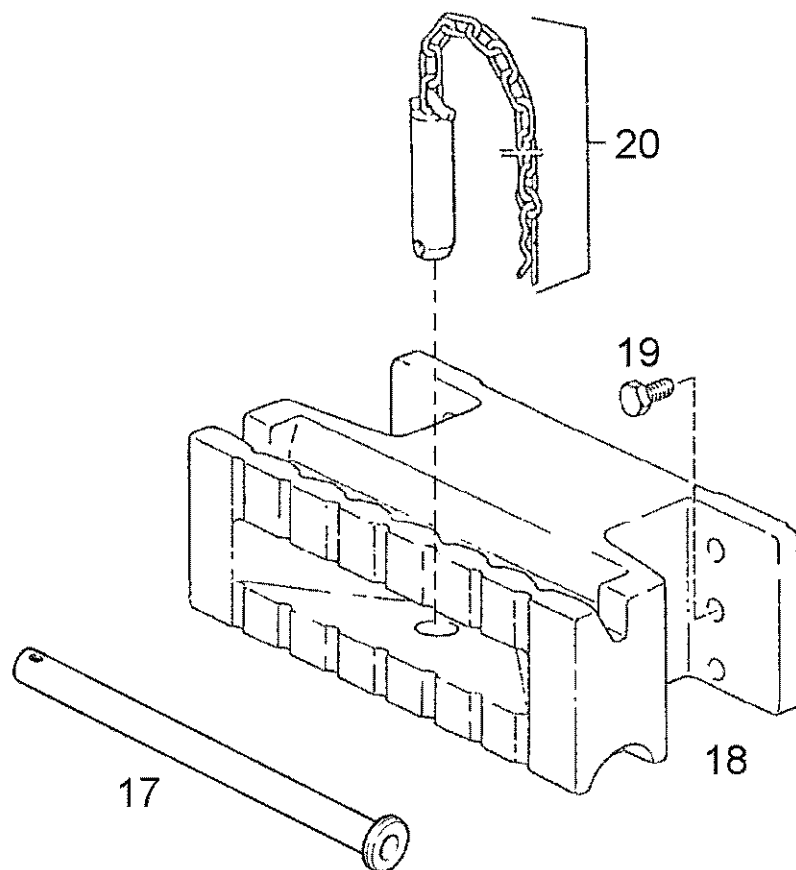
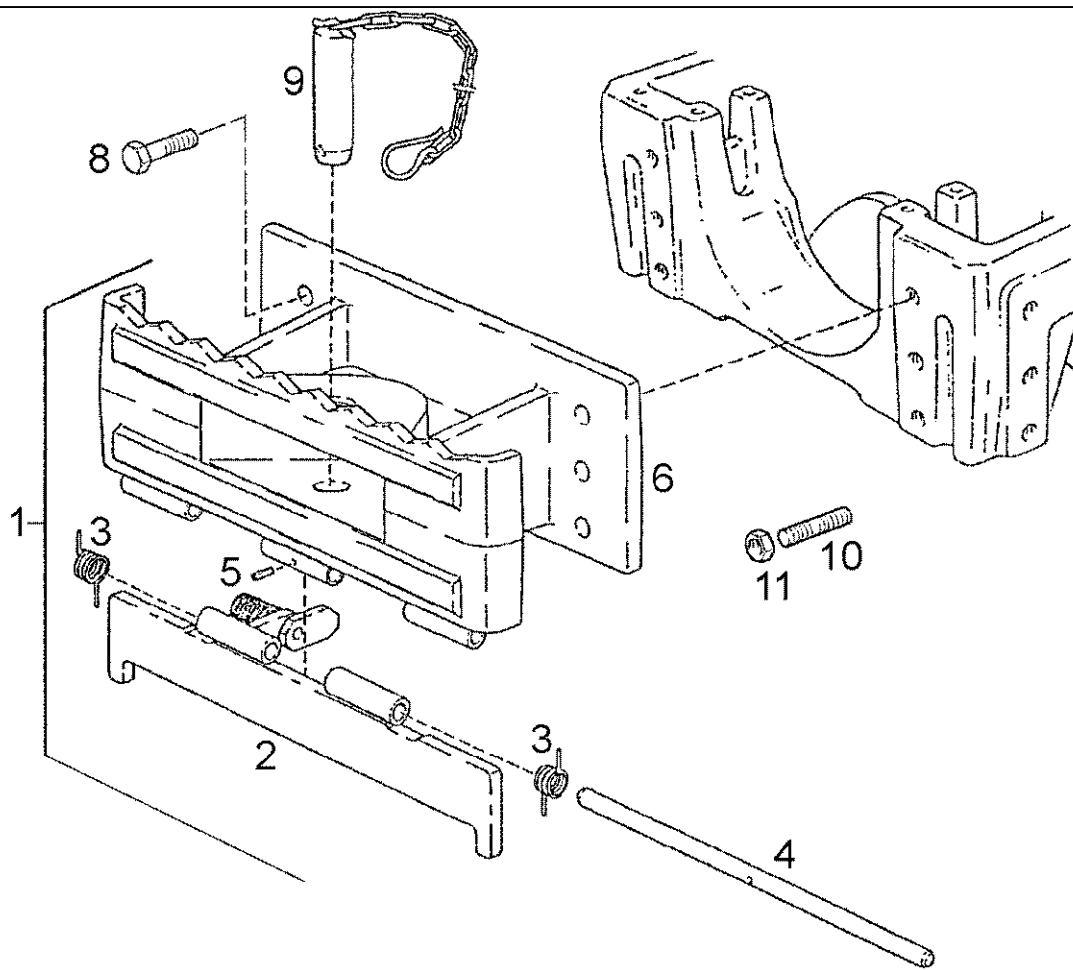
Ref	Onderdeelnummer	Kwt	Beschrijving
1	1-34-223-003	2	AFSCHERMING, , a = 225mm
1A	1-34-223-002	2	SHIELD, SPLASH, , a = 240mm
2	1-34-323-017	1	STEUNBEUGEL, , Rechts/Right/Droit/Højre/Destra
2A	1-34-523-021	1	SUPPORT, , Rechts/Right/Droit/Højre/Destra
2B	1-34-523-009	1	SUPPORT, , Rechts/Right/Droit/Højre/Destra
3	1-34-323-016	1	STEUNBEUGEL, , Links/Left/Gauche/Venstre/Sinistro
3A	1-34-523-022	1	SUPPORT, , Links/Left/Gauche/Venstre/Sinistro
3B	1-34-523-010	1	STEUNBEUGEL, , Links/Left/Gauche/Venstre/Sinistro
4	43127	8	BOUT, Hex, M8 x 25, 8.8,
5	190003936103	8	SLUITRING, , 8,4-140HV-A3C-DIN9021
6	190003937282	8	SCHIJF, , 8,4
7	190003931102	8	BORGRING, , A8
8	43362	8	MOER, M8, CI 10,
9	43151	2	BOUT, Hex, M12 x 20, 8.8, Full Thd, , M12x20-8.8
10	190003834521	4	SCHROEF, , M10x20-MU



## 09A-09(01) FRONT MUDGUARD, 4WD

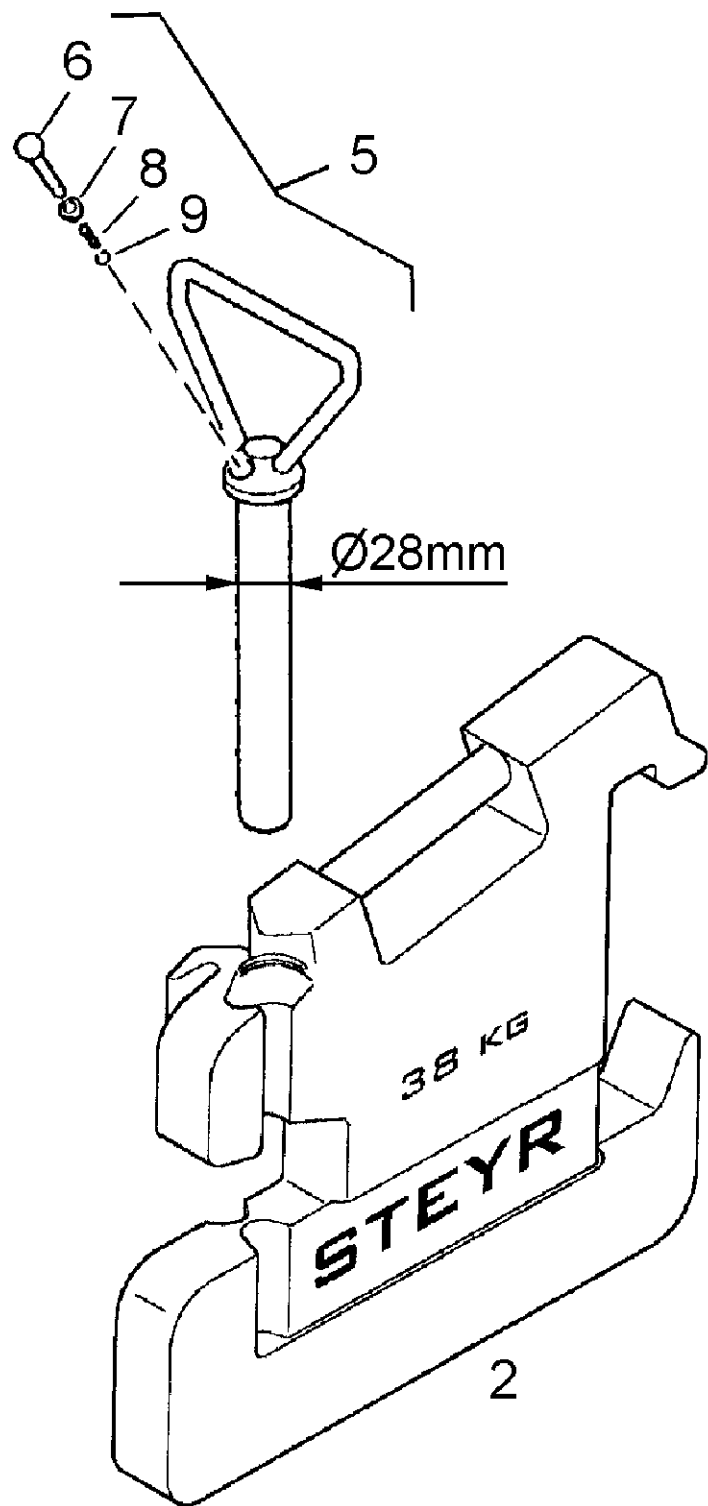
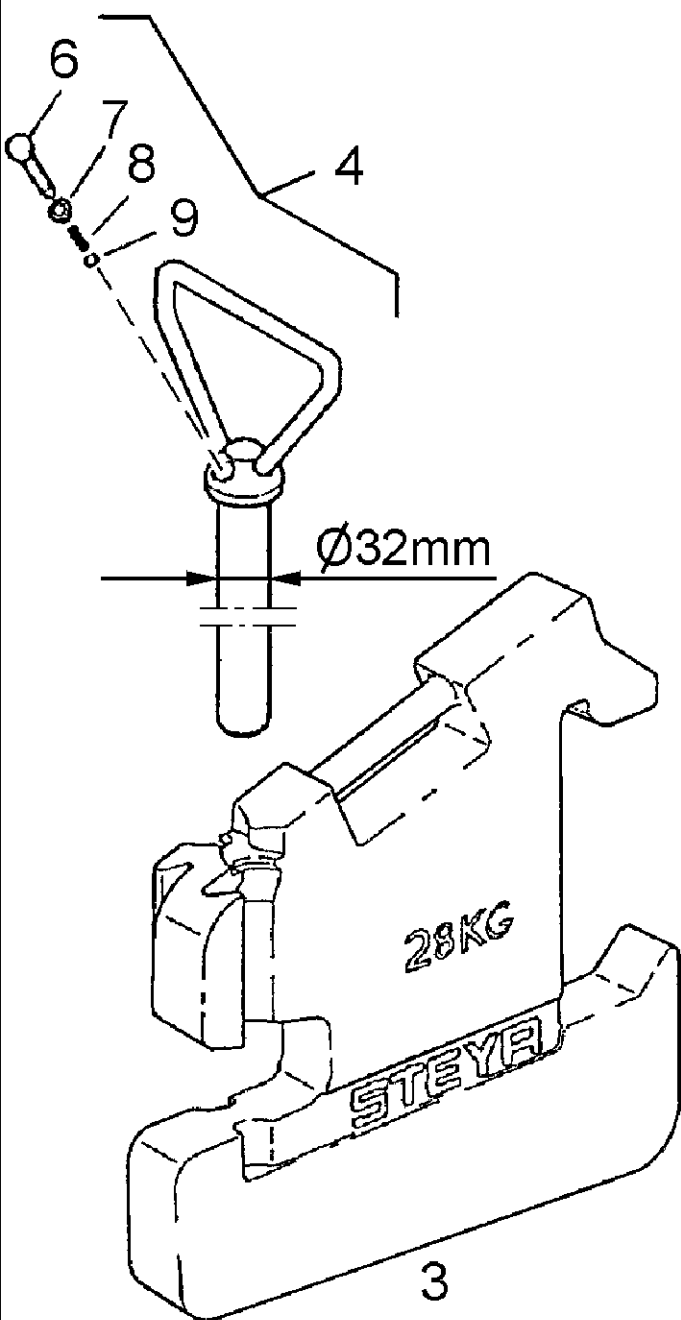
Ref	Onderdeelnummer	Kwt	Beschrijving
1	1-34-623-066	1	SUPPORT ASSY., , b = 230mm; Rechts/Right/Droit/Højre/Destra
1A	1-34-623-062	1	SUPPORT ASSY., , b = 185mm; Rechts/Right/Droit/Højre/Destra
1B	1-34-623-064	1	SATELIETDRAGER, , b = 283mm; Rechts/Right/Droit/Højre/Destra
1C	1-34-623-053	1	SUPPORT ASSY., , b = 295mm; Rechts/Right/Droit/Højre/Destra
2	1-34-623-065	1	SUPPORT ASSY., , b = 230mm; Links/Left/Gauche/Venstre/Sinistro
2A	1-34-623-061	1	SUPPORT ASSY., , b = 185mm; Links/Left/Gauche/Venstre/Sinistro
2B	1-34-623-063	1	SATELIETDRAGER, , b = 283mm; Links/Left/Gauche/Venstre/Sinistro
2C	1-34-623-052	1	SUPPORT ASSY., , b = 295mm; Links/Left/Gauche/Venstre/Sinistro
3	1-34-623-018	2	BLOKKERING,
4	1-34-623-021	1	PLAAT, , a = 63mm; Rechts/Right/Droit/Højre/Destra
4A	1-34-623-023	1	PLAAT, , a = 35mm; Rechts/Right/Droit/Højre/Destra
4B	1-34-623-035	1	PLAAT, GROOT, , a = 108mm; Rechts/Right/Droit/Højre/Destra
5	1-34-623-022	1	PLAAT, , a = 63mm; Links/Left/Gauche/Venstre/Sinistro
5A	1-34-623-024	1	PLAAT, , a = 35mm; Links/Left/Gauche/Venstre/Sinistro
5B	1-34-623-036	1	PLAAT, , a = 108mm; Links/Left/Gauche/Venstre/Sinistro
6	1-33-141-032	2	ANKER,
6A	1-34-623-025	2	BEVESTIGINGSPLAAT, , SIGE
7	1-34-623-075	2	SPATBORD , VOORAAN, , c = 355mm
7A	1-34-623-073	2	SPATBORD , VOORAAN, , c = 265mm
7B	1-34-623-087	2	SPATBORD , VOORAAN, , c = 410mm
8	43167	8	BOUT, Hex, M16 x 30, 8.8, Full Thd, , M16x30-8.8
9	9706687	6	BOUT, Hex, M12 x 30, 8.8,
11	43127	8	BOUT, Hex, M8 x 25, 8.8,
12	190003888451	8	MOER, , VM8-8
13	190003936103	8	SLUITRING, , 8,4-140HV-A3C-DIN9021
14	190003930282	6	SCHIJF, , A13

09A-10(01) BALLAST WEIGHTS BRACKET




## 09A-10(01) BALLAST WEIGHTS BRACKET

Ref	Onderdeelnummer	Kwt	Beschrijving
1	1-33-161-005	1	INLEGRAAM, GEWICHTEN, , Besteht aus/Consists of/Compose de/Bestående af/È composto da 2 -
2	1-33-161-059	1	TRIP,
3	1-33-161-057	2	VEER,
4	1-33-161-044	1	STANG,
5	190003900295	1	SPANSTIFT, , 5x22
6	NSS	-	NIET ALLEEN VERKRIJGBAAR,
8	190003802841	4	SCHROEF, , M16x50-8.8
9	1-33-161-162	1	PEN,
17	1-33-161-155	1	BUISJE,
18	1-33-161-161	1	INLEGRAAM, GEWICHTEN,
19	190003800836	6	SCHROEF, , M16x60-8.8
20	1-33-161-162	1	PEN,




## 09A-11(01) FRONT WEIGHTS

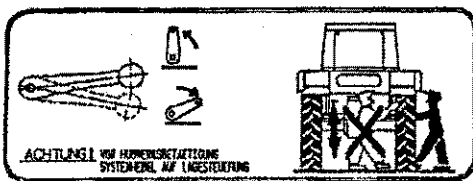
Ref	Onderdeelnummer	Kwt	Beschrijving
2	1-33-161-170	1	BALLAST, , 38kg
3	1-33-161-002	1	BALLAST, , 28kg
4	1-33-161-006	1	PIN, LARGE, , Einschließlich/Includes/Avec/Inklusive/Compreso 6 - 9
5	1-33-161-171	1	PIN, LARGE, , Einschließlich/Includes/Avec/Inklusive/Compreso 6 - 9
6	1-33-161-072	1	DETENT,
7	1-33-161-074	1	VIJZELSCHROEF,
8	1-33-161-073	1	VEER,
9	190003933046	1	SLUITRING, , 10x1


**CASE STEYR LANDMASCHINENGEW. AG - 4-000 ST. VELENY**  
 Typ: \_\_\_\_\_ EWG-Nummer: \_\_\_\_\_  
 Identifizierungsnummer: \_\_\_\_\_  
 Zusammenschluss: \_\_\_\_\_ Sicherheits- und/oder Arbeitsmittel: \_\_\_\_\_  
 (1) abhängig von der montierten Bereifung

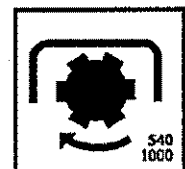
max. Gesamtgewicht:	kg	max. zulässige Achslast:	kg
max. Achslast vorne:	kg	Achslast Landw. Bereich:	kg
max. Achslast hinten:	kg	max. zulässige Achslast:	kg
		hydr./pneumat. gebirg. Achslast:	kg


 Nr. Koef.: \_\_\_\_\_

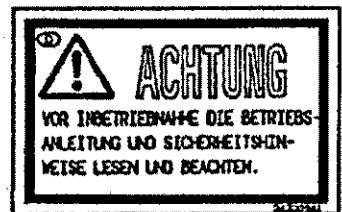
1



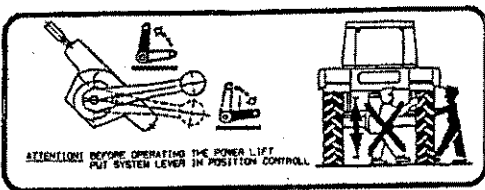
9



15



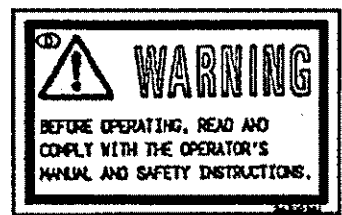
3



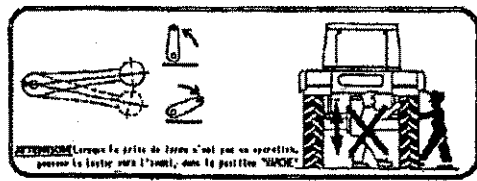
10



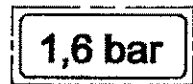
17



4



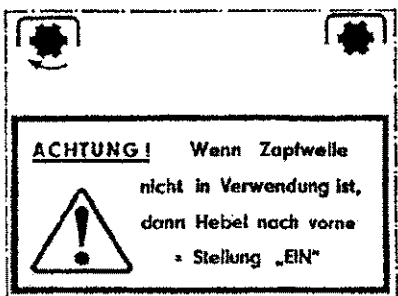
11



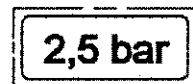
18



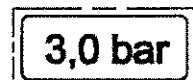
5



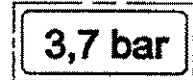
12



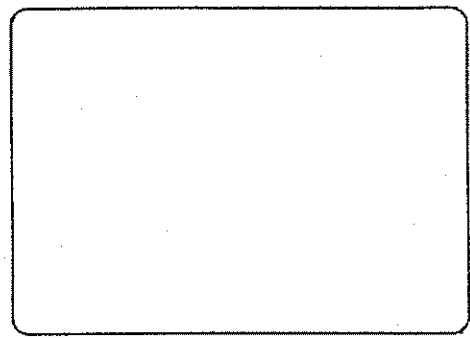
19



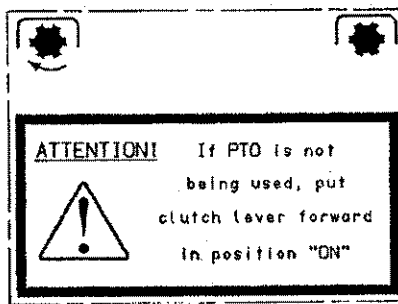
20



21



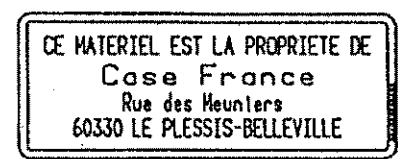
6



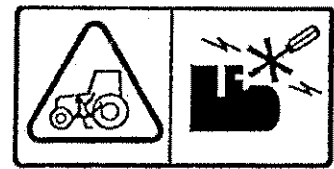
13



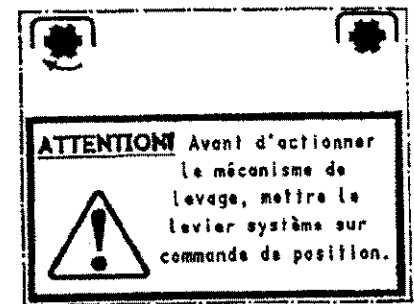
22



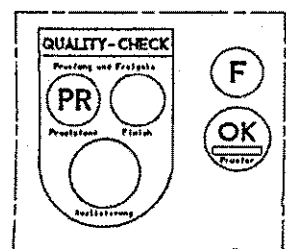
7



23



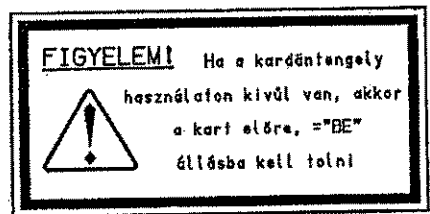
14



24



8



16



25



26



## 09A-12(01) TYPE PLATE AND DECALS

Ref	Onderdeelnummer	Kwt	Beschrijving
1	1-34-577-084	1	MODELIDENTIFIKATIEPLAATJ,
2	190003179530	4	KLINKNAGEL, , 5X7,5-POM-SW
3	1-34-677-628	1	DECAL,
4	1-34-677-629	1	DECAL,
5	1-34-677-630	1	DECAL,
6	1-34-577-334	1	DECAL,
7	1-34-577-315	1	DECAL,
8	1-32-173-094	1	DECAL,
9	1-34-677-611	1	DECAL,
10	1-34-577-344	1	DECAL,
11	1-34-677-616	1	DECAL,
12	1-34-577-328	1	PLAAT, GROOT,
13	1-34-577-345	1	DECAL,
14	1-34-577-331	1	PLAAT, GROOT,
15	1-34-577-303	1	DECAL,
16	1-34-577-029	1	DECAL,
17	1-34-577-329	1	DECAL,
18	1-33-161-076	1	DECAL,
19	1-33-161-079	1	DECAL,
20	1-33-161-080	1	DECAL,
21	1-33-161-081	1	DECAL,
22	1-34-577-327	1	SYMBOLLEN,
23	1-34-577-307	1	PLAAT,
24	1-34-577-071	1	DECAL,
25	1-34-577-304	1	DECAL,
26	1-34-577-319	1	DECAL,



 **AUSTRIA**

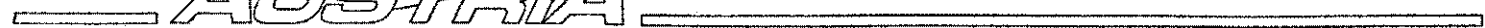
8

9



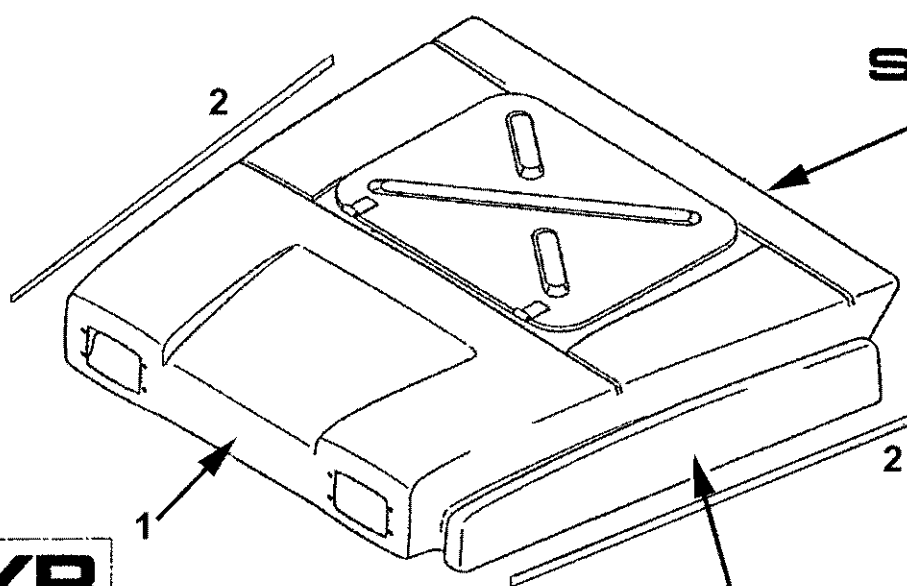
 **AUSTRIA**

6



**M-Trac**

4



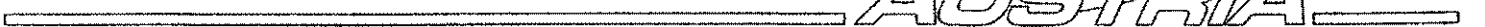
**STEYR**

**STEYR**

**M-Trac**

7

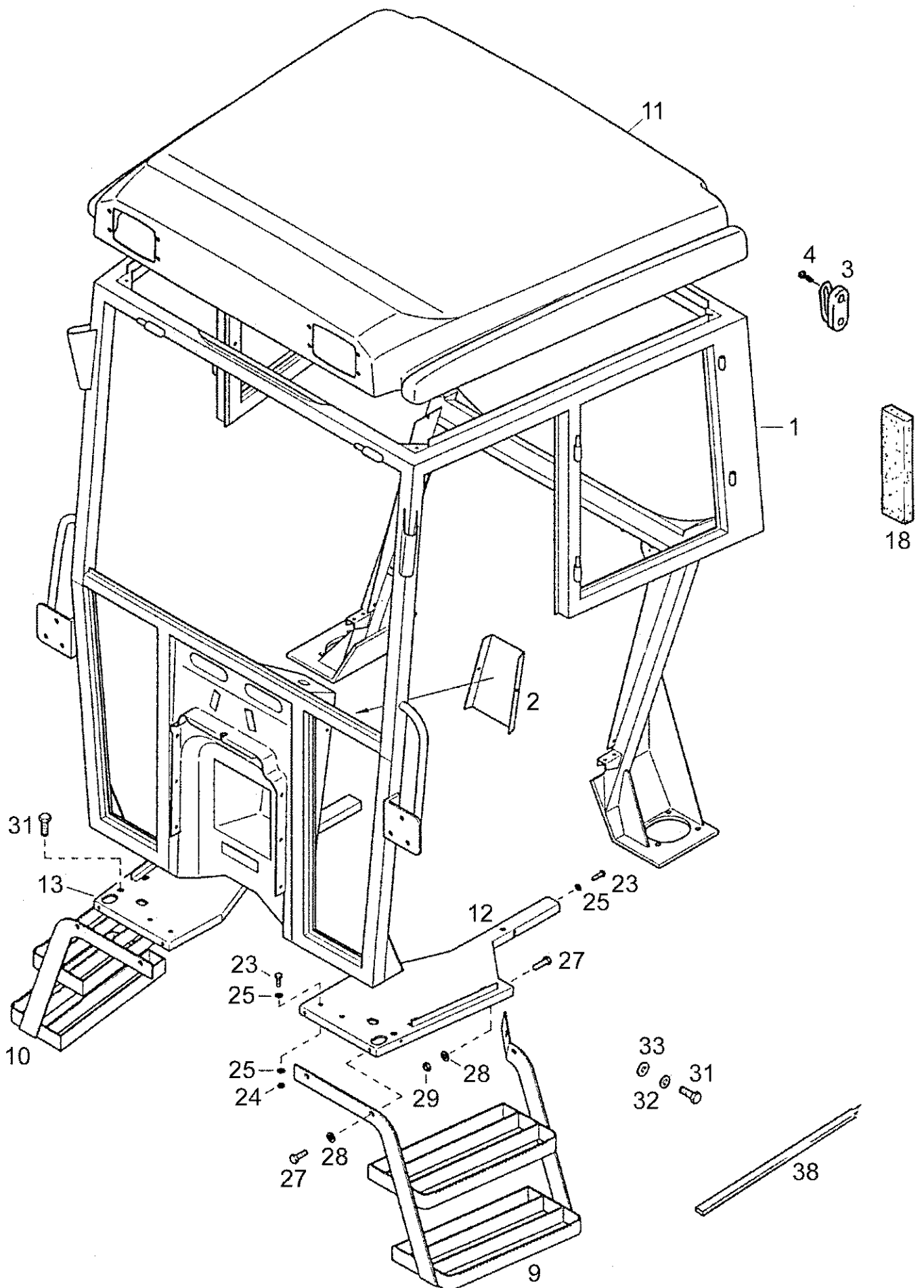
 **AUSTRIA**



## 09B-01(01) CAB ROOF-DECALS

Ref	Onderdeelnummer	Kwt	Beschrijving
1	1-34-677-048	1	MODELIDENTIFIKATIEPLAATJ, , Reflektierend/Reflective/Reflecteur/Reflekerende/Riflettente
1	1-34-677-050	1	DECAL, , Reflektierend/Reflective/Reflecteur/Reflekerende/Riflettente - Forst/Forestry/Forestier/Skov/Forestale
1	1-34-677-051	1	DECAL, , Reflektierend/Reflective/Reflecteur/Reflekerende - Kommunal/Municipal/Municipal/Kommunal/Comunale
2	1-34-577-203	2	PRODUCTAFBEELDING,
2	1-34-577-207	2	PRODUCTAFBEELDING, , Forst/Forestry/Forestier/Skov/Forestale
2	1-34-577-208	2	DECAL, , Kommunal/Municipal/Municipal/Kommunal/Comunale
3	1-34-577-013	1	MODELIDENTIFIKATIEPLAATJ,
3	1-34-577-046	1	MODELIDENTIFIKATIEPLAATJ, , Forst/Forestry/Forestier/Skov/Forestale
3	1-34-577-047	1	DECAL, , Kommunal/Municipal/Municipal/Kommunal/Comunale
4	1-34-677-670	1	DECAL, , Rechts/Right/Droit/Højre/Destra
5	1-34-677-672	1	DECAL, , Links/Left/Gauche/Venstre/Sinistro
6	1-34-677-692	1	DECAL,
7	1-34-677-691	1	DECAL,
8	1-34-677-710	2	DECAL,
9	1-34-677-711	2	DECAL,

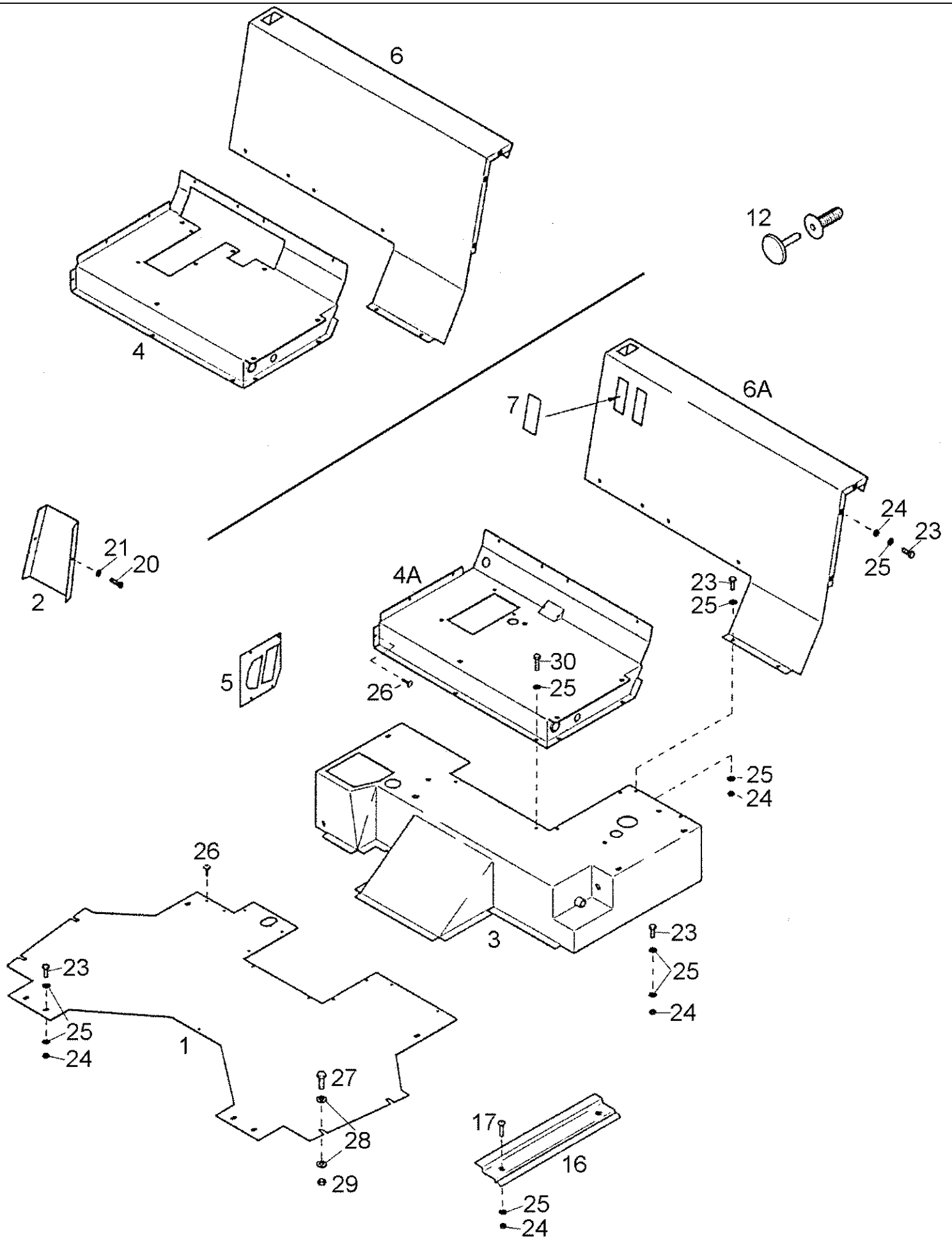
09B-02(01) CAB FRAME, STANDARD



## 09B-02(01) CAB FRAME, STANDARD

Ref	Onderdeelnummer	Kwt	Beschrijving
1	1-34-518-255	1	CABINE, CARROSSERIE, , ---->01901
1	1-34-518-276	1	CABINE, CARROSSERIE, , 01902 ---->; Mit Kotflügel/With Mudguard/Avec Garde-boue/Med Hjulskærm/Con Parafango b = 440mm - Siehe Kapitel 09A/See Chapter 09A/Voir chapitre 09A/Se kapitel 09A/Vedere capitolo 09A
1	1-34-518-476	1	CABINE, CARROSSERIE, , 01902 ---->; Mit Kotflügel/With Mudguard/Avec Garde-boue/Med Hjulskærm/Con Parafango b = 390mm - Siehe Kapitel 09A/See Chapter 09A/Voir chapitre 09A/Se kapitel 09A/Vedere capitolo 09A
2	REF	-	INSTRUCTION, , Siehe nächste Seite(n)/See next page(s)/Voir page(s) suivante(s)/Se næste side (r )/Vedere pagin(a/e) sequent(e/i)
3	116000770123	1	HAAK,
4	190003844616	2	SCHROEF, , Bl. St4,2x16-C-H-A3R
9	1-34-624-050	1	STIRRUP, , Links/Left/Gauche/Venstre/Sinistro - Mit 83l-Tank/With 83l-Fuel tank/Avec 83l-Réservoir a combustible/Med 83l-Brændstofbeholder/Con 83l-Serbatoio carburante
9	1-34-524-415	1	VOETTREDE, , Links/Left/Gauche/Venstre/Sinistro - Mit 73l-Tank/With 73l-Fuel tank/Avec 73l-Réservoir a combustible/Med 73l-Brændstofbeholder/Con 73l-Serbatoio carburante
10	1-34-624-051	1	STIRRUP, , Rechts/Right/Droit/Højre/Destra
11	REF	-	INSTRUCTION, , Siehe nächste Seite(n)/See next page(s)/Voir page(s) suivante(s)/Se næste side (r )/Vedere pagin(a/e) sequent(e/i)
12	1-34-527-220	1	PROFIEL, , Links/Left/Gauche/Venstre/Sinistro
13	1-34-527-230	1	PROFIEL, , Rechts/Right/Droit/Højre/Destra
18	1-41-177-055	2	DICHTINGSSTUK,
23	86508568	11	BOUT, Hex, M6 x 16, 8.8,
24	15896221	11	MOER, M6, CI 10, , M6-8-A2C, DIN934
25	190003936101	16	SLUITRING, , 6,4-140HV-A3C
27	43127	4	BOUT, Hex, M8 x 25, 8.8,
28	190003936103	8	SLUITRING, , 8,4-140HV-A3C-DIN9021
29	43362	4	MOER, M8, CI 10,
31	190003802506	8	SCHROEF, , M10x16-8.8
32	190003936107	6	SLUITRING, , 10,5
33	190003930271	2	SCHIJF, , A10,5-140HV-A3C
35	190003179432	2	PLUG, , A16,7x5,5
36	190003171679	1	PLUG, , A14,6x9,5
37	190003171699	1	PLUG, , B12,5x12
38	190003179066	X	PROFIEL, , 1 K/9195; L = 2500mm

09B-03(01) CAB FLOOR

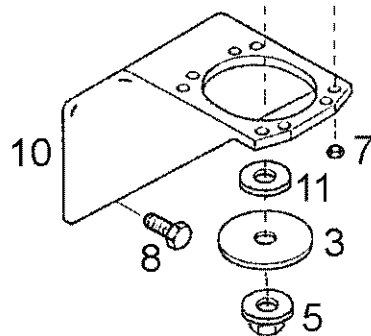
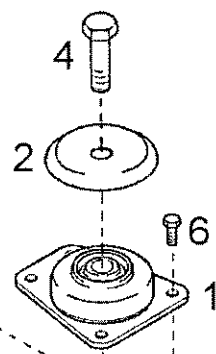
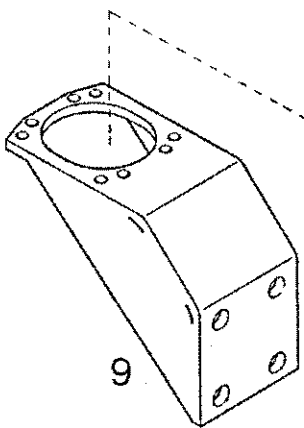
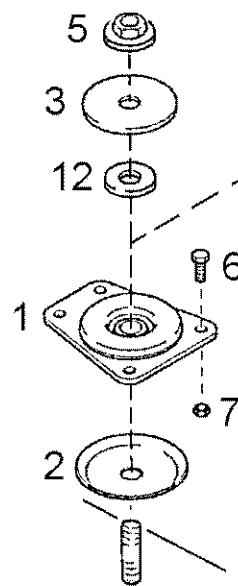
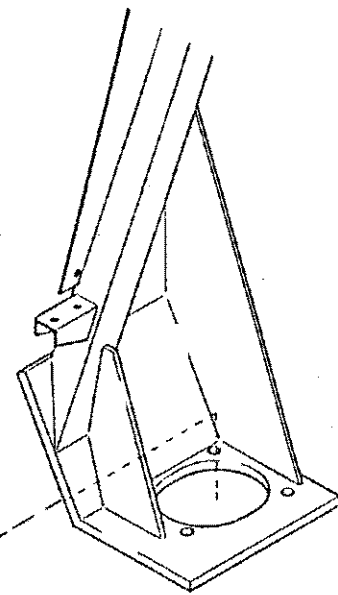
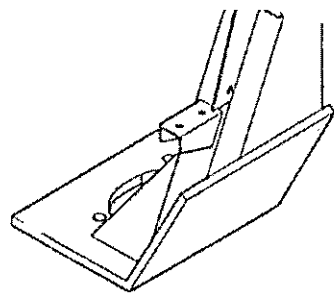


## 09B-03(01) CAB FLOOR

Ref	Onderdeelnummer	Kwt	Beschrijving
1	1-34-527-217	1	FLOOR,
2	1-34-518-224	1	COVER, PROTECTIVE,
3	1-34-527-210	1	COVER, PROTECTIVE,
4	1-34-551-203	1	SITZKONSOLE, ---->01465
4A	1-34-551-209	1	PEDESTAL, , 01466 ---->. . . .
4A	1-34-551-230	1	SITZKONSOLE, . . . ---->
5	1-34-544-209	1	COVER, PROTECTIVE,
6	1-34-518-206	1	ABDECKBLECH, ---->01465
6A	1-34-518-264	1	COVER, REAR, , 01466 ---->
7	133700732531	2	COVER, PROTECTIVE, , 01466 ---->
12	190003171869	1	PLUG, , A14,6x5,5
12	190003171699	1	PLUG, , B12,5x12
16	1-34-527-109	2	DRAAGARM,
17	190003830006	4	SCHROEF, , M6x35-A2C
20	190003823813	2	SCHROEF, , M 5x12-4.8-H-BN
21	190003930035	2	SLUITRING, , 5,3-140HV-A3
23	86508568	11	BOUT, Hex, M6 x 16, 8.8,
24	15896221	11	MOER, M6, CI 10, , M6-8-A2C, DIN934
25	190003936101	16	SLUITRING, , 6,4-140HV-A3C
26	190003840014	11	SCHROEF, , ST4,2x13-K-A3C
27	43127	4	BOUT, Hex, M8 x 25, 8.8,
28	190003936103	8	SLUITRING, , 8,4-140HV-A3C-DIN9021
29	43362	4	MOER, M8, CI 10,
30	120100	5	BOUT, Hex, M6 x 20, 8.8,

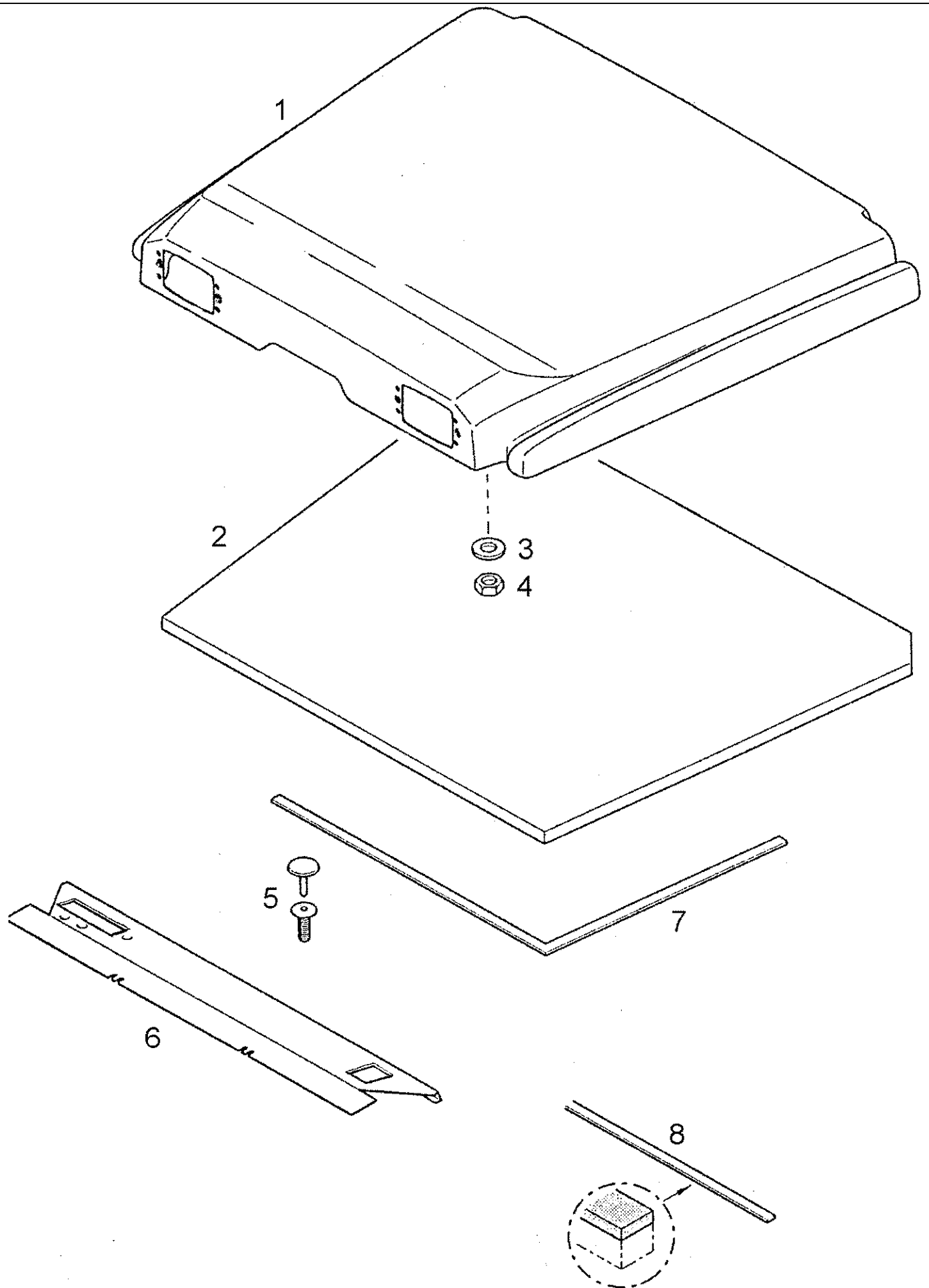


09B-04(01) CAB MOUNTINGS



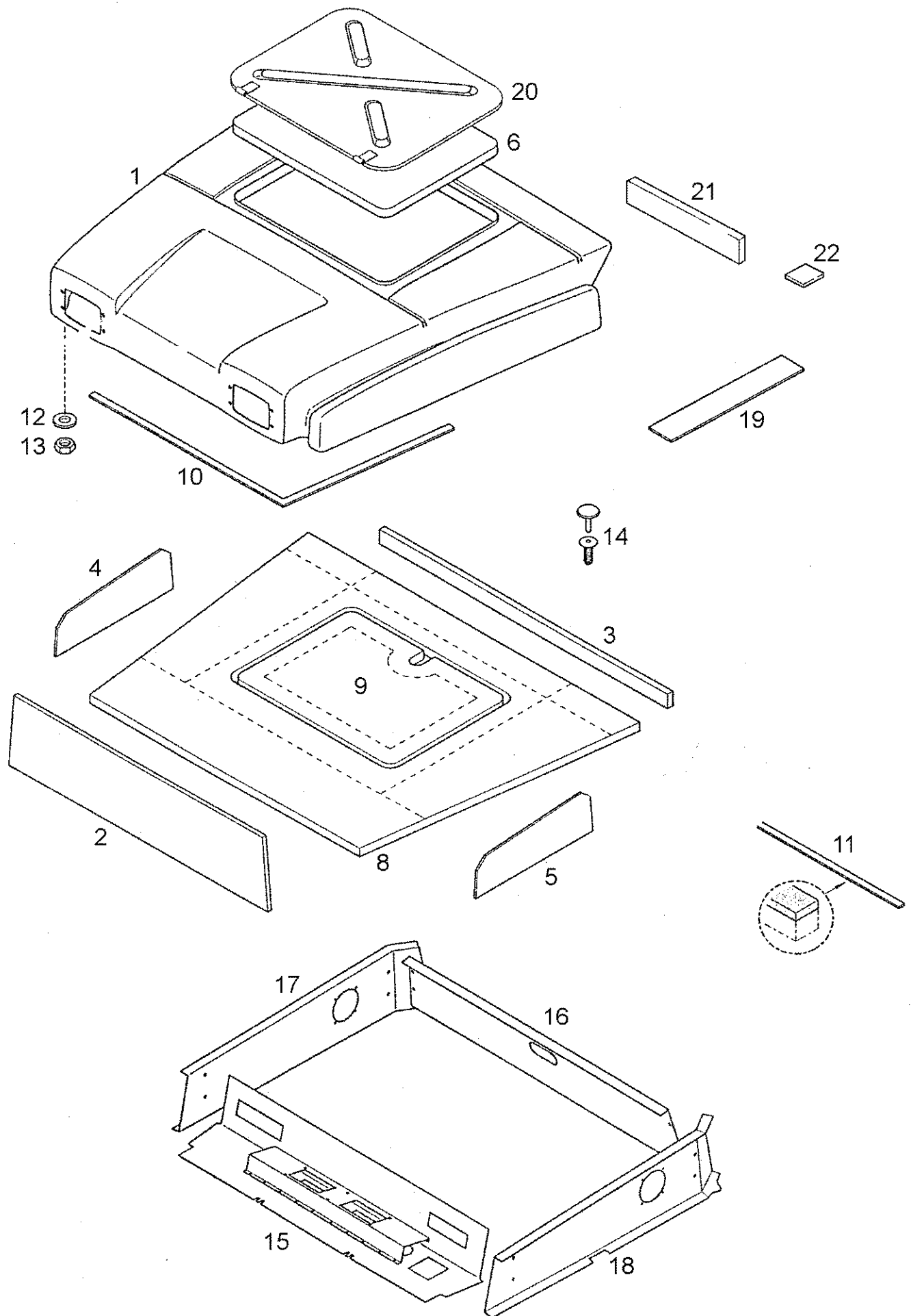
## 09B-04(01) CAB MOUNTINGS

Ref	Onderdeelnummer	Kwt	Beschrijving
1	1-34-641-006	4	SCHOKDEMPER,
2	1-34-641-008	4	KOM,
3	1-34-641-007	4	SCHIJF,
4	190003800007	4	SCHROEF, , M20x1,5x90-8.8
5	190003880138	4	MOER, , M20x1,5-8
6	11106231	12	BOUT, Hex, M10 x 25, 10.9, Full Thd, , M10x25-8.8
7	100016	12	MOER, M10, CI 8,
8	190003802812	8	SCHROEF, , M16x25-8.8-A3C
9	1-34-541-220	2	LAGER, , Rechts/Right/Droit/Højre/Destra
10	1-34-541-224	1	LAGER, , Links/Left/Gauche/Venstre/Sinistro
11	190003935021	2	SCHIJF,
12	190003930322	2	SLUITRING, , A21



## 09B-05(01) ROOF, LOW

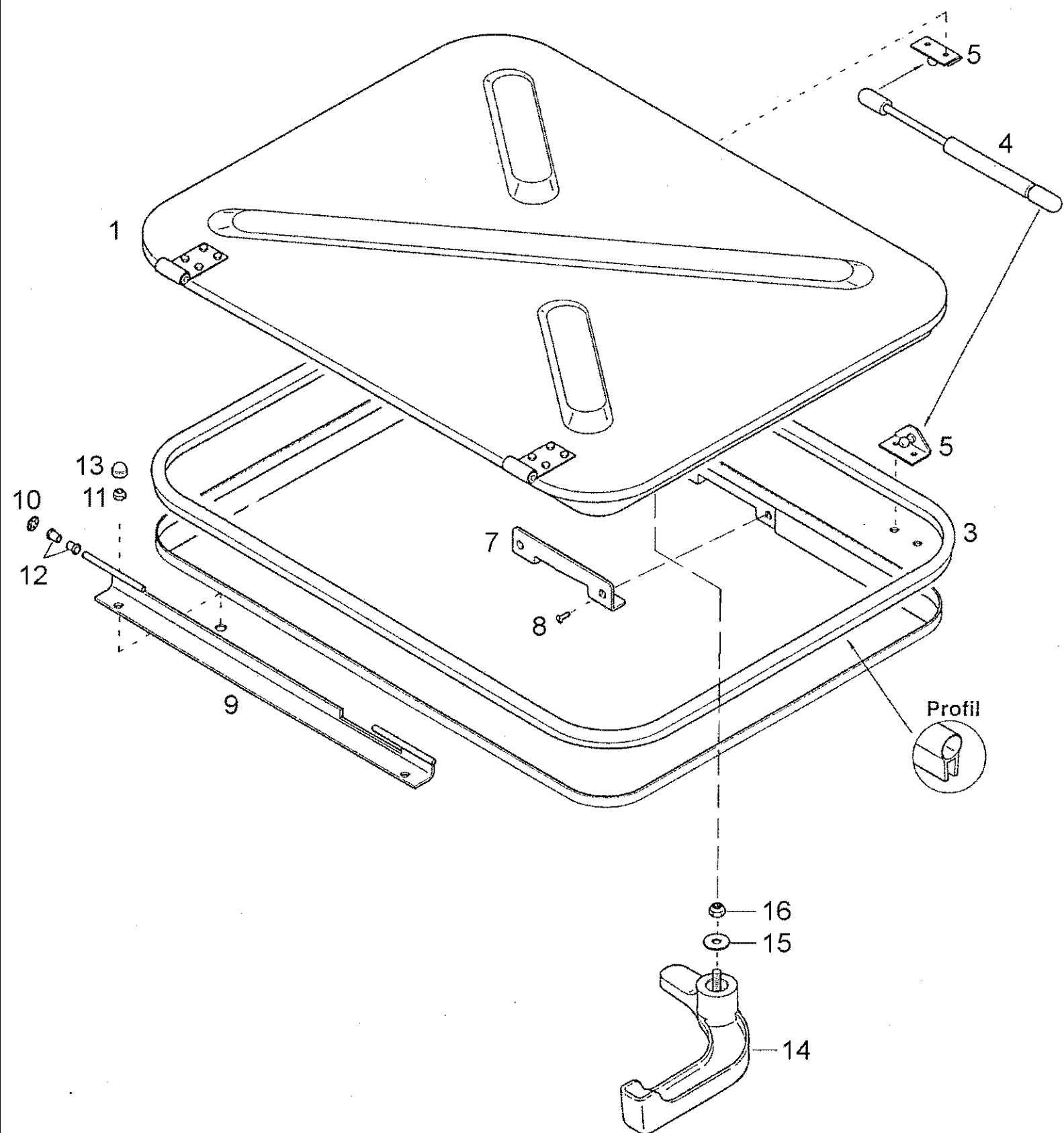
Ref	Onderdeelnummer	Kwt	Beschrijving
1	1-34-519-160	1	HARD DAK,
2	1-34-519-106	1	LINING, ROOF, , Braun/Brown/Marron/Brun/Marrone
2	1-34-519-111	1	LINING, ROOF, , Grau/Grey/Gris/Grå/Grigio
3	190003930271	4	SCHIJF, , A10,5-140HV-A3C
4	43362	4	MOER, M8, CI 10,
5	190003172953	2	KLINKNAGEL, , SW-9005
6	1-34-519-102	1	HOOFDDEKSEL, , Braun/Brown/Marron/Brun/Marrone
6	1-34-519-521	1	SHROUD ASSY., , Grau/Grey/Gris/Grå/Grigio
7	190003179043	X	DICHTINGSSTROOK, , L = 3900mm
8	190003129481	X	DICHTING, RUBBER, , 15x15, K-8389; L = 1500mm



## 09B-06(01) ROOF, HIGH

Ref	Onderdeelnummer	Kwt	Beschrijving
1	1-34-519-390	1	HARD DAK, , Einschließlich/Includes/Avec/Inklusive/Compreso 19, 20
2	1-34-519-386	1	PROP,
3	1-34-519-388	1	PROP,
4	1-34-519-387	1	PROP,
5	1-34-519-389	1	PROP,
6	1-34-519-393	1	PROP,
8	1-34-519-391	1	LINING, ROOF, , Braun/Brown/Marron/Brun/Marrone
8	1-34-519-395	1	LINING, ROOF, , Grau/Grey/Gris/Grå/Grigio
9	1-34-519-392	1	DEURBEKLEDING, , Braun/Brown/Marron/Brun/Marrone
9	1-34-519-396	1	LINING, HATCH, , Grau/Grey/Gris/Grå/Grigio
10	190003179043	X	DICHTINGSSTROOK, , L = 3900mm
11	190003129481	X	DICHTING, RUBBER, , 15x15, K-8389; L = 1500mm
12	190003930271	4	SCHIJF, , A10,5-140HV-A3C
13	43362	4	MOER, M8, CI 10,
14	190003172953	20	KLINKNAGEL, , SW-9005
15	1-34-519-360	1	DEURBEKLEDING, , Braun/Brown/Marron/Brun/Marrone
15	1-34-519-532	1	SHROUD ASSY., , Grau/Grey/Gris/Grå/Grigio
16	1-34-519-399	1	DEURBEKLEDING,
17	1-34-519-381	1	DEURBEKLEDING, , Braun/Brown/Marron/Brun/Marrone
17	1-34-519-397	1	DEURBEKLEDING, , Grau/Grey/Gris/Grå/Grigio
18	1-34-519-382	1	DEURBEKLEDING, , Braun/Brown/Marron/Brun/Marrone
18	1-34-519-398	1	DEURBEKLEDING, , Grau/Grey/Gris/Grå/Grigio
19	1-34-519-385	1	COVER,
20	REF	-	INSTRUCTION, , Siehe nächste Seite(n)/See next page(s)/Voir page(s) suivante(s)/Se næste side (r )/Vedere pagin(a/e) sequent(e/i)
21	1-41-177-055	2	DICHTINGSSTUK,
22	133700550138	1	BASIS, , 40x40

09B-07(01) HATCH FOR ROOF, HIGH



## 09B-07(01) HATCH FOR ROOF, HIGH

Ref	Onderdeelnummer	Kwt	Beschrijving
1	1-34-519-372	1	MANGAT,
3	1-34-519-374	1	JOINT, RUBBER,
4	1-34-519-375	1	CYLINDER, GAS,
5	1-34-619-025	2	STEUNBEUGEL,
7	1-34-119-073	1	ELLEBOOG,
8	NSS	-	NIET ALLEEN VERKRIJGBAAR,
9	1-34-619-005	1	PLAAT,
10	190003930155	2	SLUITRING,
11	43362	2	MOER, M8, CI 10,
12	1-34-619-008	4	LAGERBUS,
13	190003174544	2	KAPPE, M8
14	1-34-135-101	1	HANDGREEP,
15	190003930261	1	SLUITRING, , A8,4
16	190003888451	1	MOER, , VM8-8

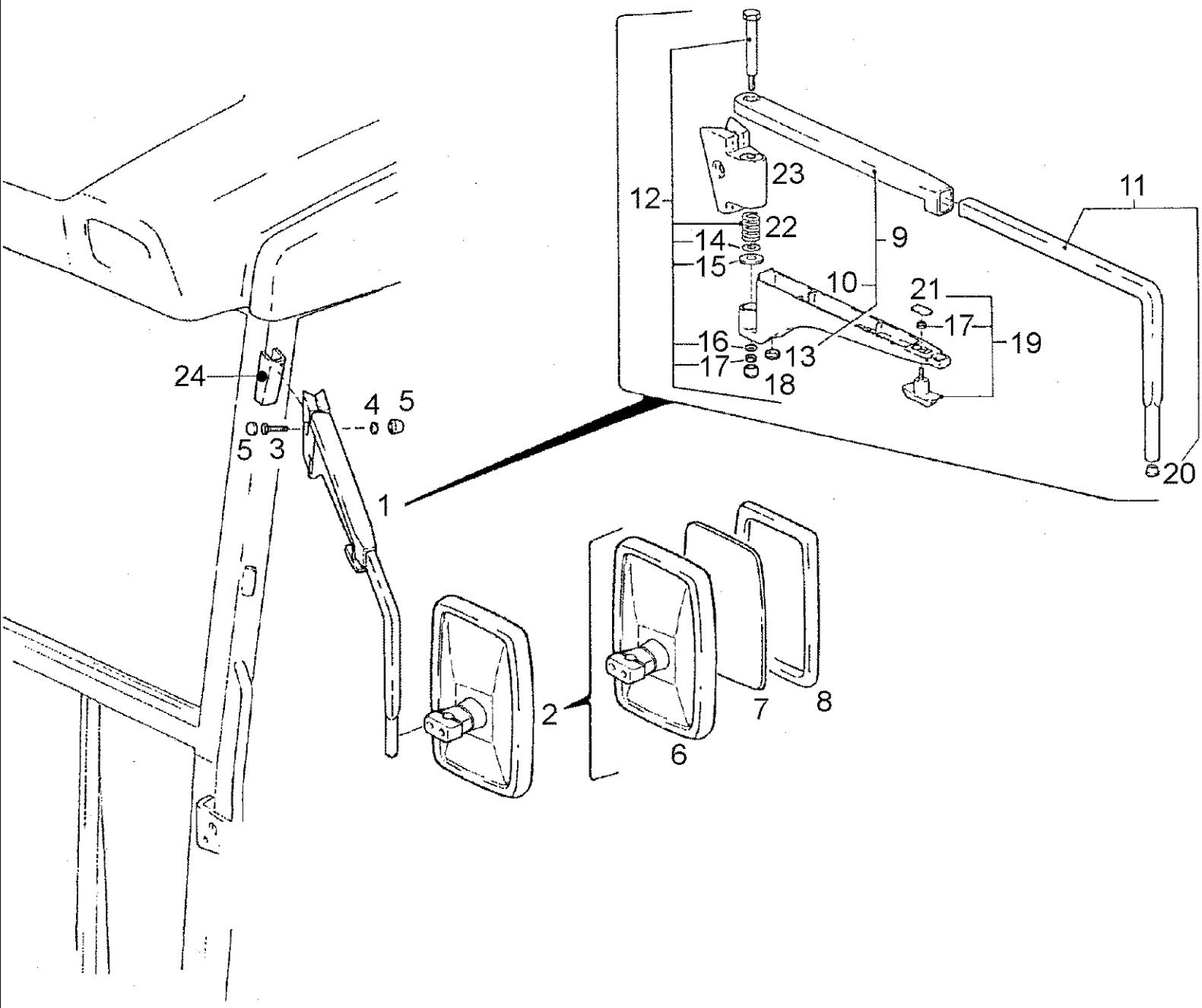




## 09B-08(01) REAR VIEW MIRROR, STANDARD / SUN SHIELD

Ref	Onderdeelnummer	Kwt	Beschrijving
1	193770100	2	MIRROR,
2	1-34-577-101	2	STANG,
3	1190250028	2	SPRING, COMPRESSION,
4	190003888452	2	MOER, , VM10-8
5	190003909614	2	SPANSTIFT, , 4x20
6	1-34-677-004	1	VISOR, SUN,
7	190003822262	4	SCHROEF, , M5x25-4.8-A2C
7A	1-34-577-332	1	IDENTIFICATIEPLAAT,
8	1-34-577-212	2	STANG,
9	190003909631	2	SPANSTIFT, , 6X30
10	180570055	2	SPRING, COMPRESSION,
11	190003930282	2/2	SCHIJF, , A13
12	100038	2	NUT, LOCK, M12 x 1.75, CI 8,
13	1-34-577-215	2	MIRROR ASSY., , Einschließlich/Includes/Avec/Inklusive/Compreso 14
14	299652A1	2	ACHTERUITKIJKSPIEGEL,
15	1-34-577-310	1	VISOR, SUN,
16	190003822262	4	SCHROEF, , M5x25-4.8-A2C
17	340840A1	1	VISOR, SUN, , Für Hopfenkabine/For Hops cab/Pour Cabine à houblon/Til Humlekabine/Per Cabina da luppolo
18	340841A1	1	WASHER, RUBBER,
19	340842A1	1	MOER,
20	190003843141	2	ZELFTAPPENDE SCHROEF, Cross Pan Hd, M4.2 x 16, , ST4,2x16

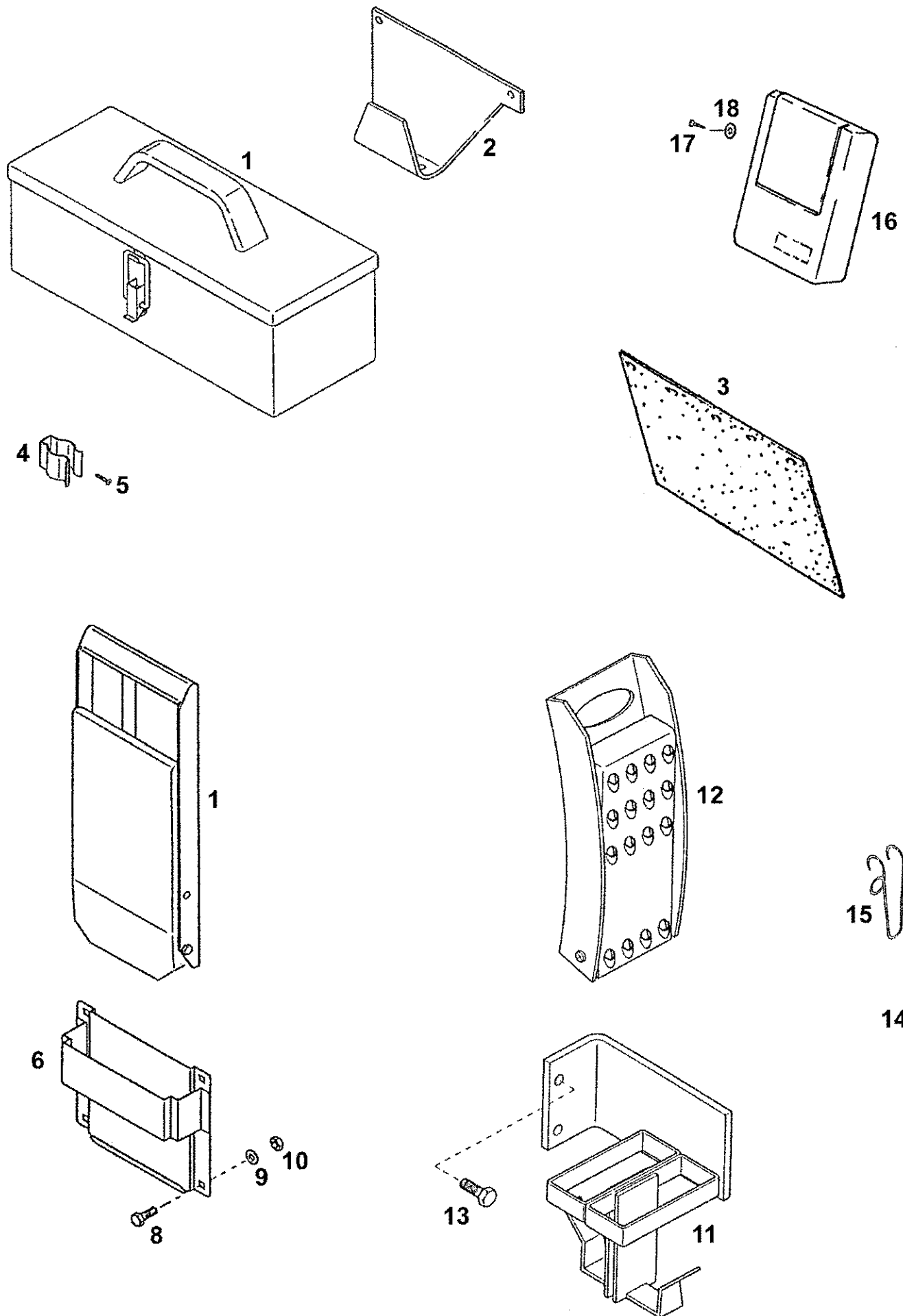
09B-09(01) EXTENDABLE REAR VIEW MIRROR



## 09B-09(01) EXTENDABLE REAR VIEW MIRROR

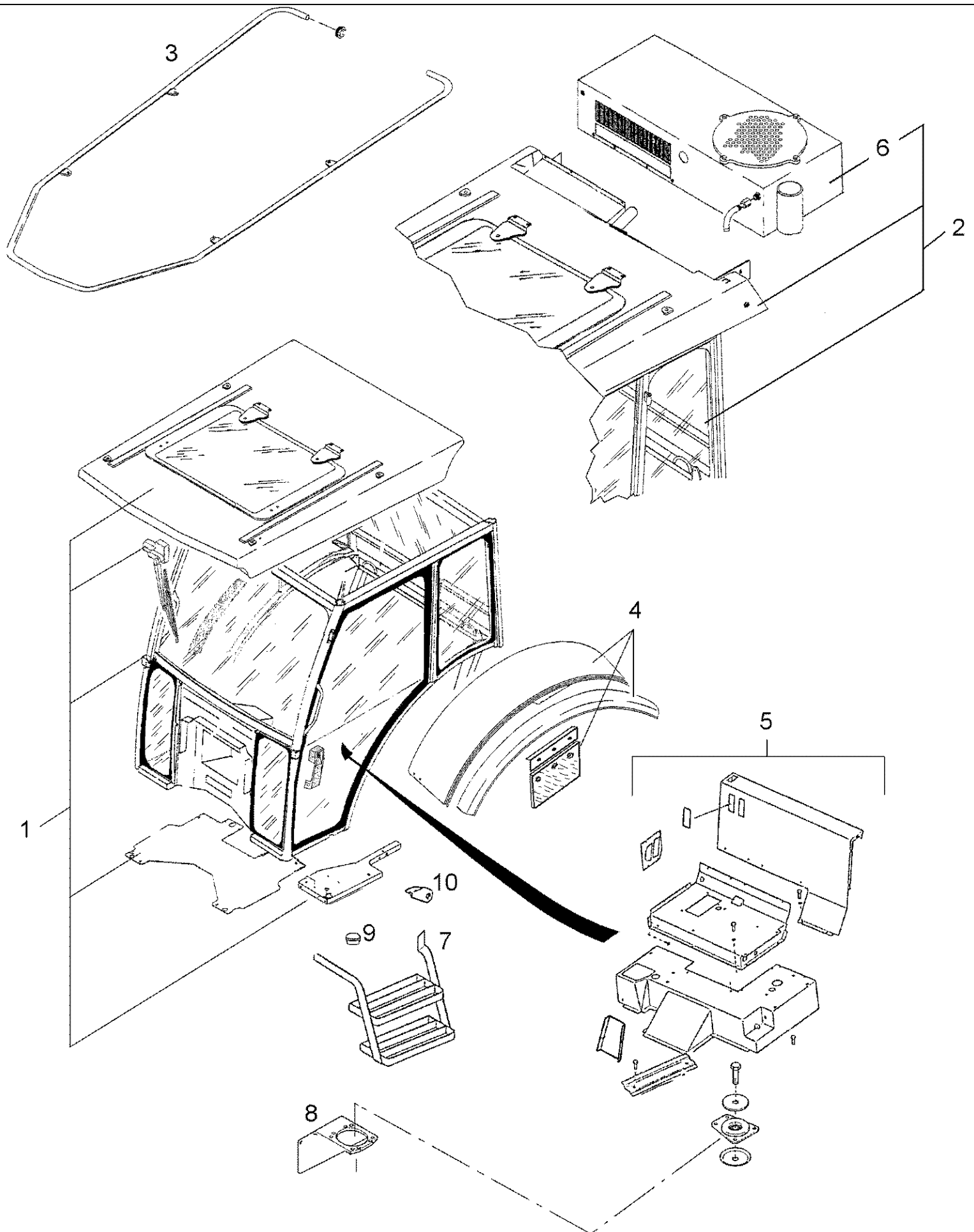
Ref	Onderdeelnummer	Kwt	Beschrijving
1	1-34-577-027	2	STANG, , Besteht aus/Consists of/Compose de/Bestående af/È composto da 9 - 23
2	1-34-177-178	2	SPIEGEL, LINKS, , Besteht aus/Consists of/Compose de/Bestående af/È composto da 6 - 8
3	190003802538	2	SCHROEF, , M10x40-8.8
4	100016	2	MOER, M10, CI 8,
5	5126232	4	BEKLEDING, , M10-PE-SW
6	NSS	-	NIET ALLEEN VERKRIJGBAAR,
7	1-34-777-002	2	VENSTER,
8	1-34-777-003	2	SIERPLAAT,
9	1-34-777-048	2	GELEIDER, , Einschließlich/Includes/Avec/Inklusive/Compreso 10, 13
10	NSS	-	NIET ALLEEN VERKRIJGBAAR,
11	1-34-777-049	2	BUISJE, , Einschließlich/Includes/Avec/Inklusive/Compreso 20
12	1-34-777-051	2	KIT, , Einschließlich/Includes/Avec/Inklusive/Compreso 14 - 18, 22
13	NSS	-	NIET ALLEEN VERKRIJGBAAR,
14	NSS	-	NIET ALLEEN VERKRIJGBAAR,
15	190003932633	2	SLUITRING, , R11-100HV-A3C
16	190003930261	2	SLUITRING, , A8,4
17	190003888722	4	MOER, , M8-8
18	NSS	-	NIET ALLEEN VERKRIJGBAAR,
19	1-34-777-050	2	MOUNTING, , Einschließlich/Includes/Avec/Inklusive/Compreso 17, 21
20	NSS	-	NIET ALLEEN VERKRIJGBAAR,
21	NSS	-	NIET ALLEEN VERKRIJGBAAR,
22	NSS	-	NIET ALLEEN VERKRIJGBAAR,
23	1-34-777-052	2	BASIS,
24	1-34-518-003	2	HOUDER,

09B-10(01) TOOL BOX, WEDGE



## 09B-10(01) TOOL BOX, WEDGE

Ref	Onderdeelnummer	Kwt	Beschrijving
1	1-34-128-050	1	GEREEDSCHAPSKIST,
2	1-34-528-010	1	HOUDER, , ---->03370
2	1-34-528-007	1	HOUDER, , 03371 ---->
3	116100232061	2	MUDFLAP,
4	199100860001	1	VEERKLEM,
5	190003840014	2	SCHROEF, , ST4,2x13-K-A3C
6	1-34-587-002	1	STEUNBEUGEL, , 01747 ---->
7	1-34-587-003	1	WEDGE,
8	16043224	4	BOUT, Hex, M8 x 16, 8.8, Full Thd,
9	190003936103	4	SLUITRING, , 8,4-140HV-A3C-DIN9021
10	43362	4	MOER, M8, CI 10,
11	1-34-587-010	1	HALTERUNG, ---->01746
12	1-34-187-001	2	REMSCHOEN,
13	190003802812	2	SCHROEF, , M16x25-8.8-A3C
14	1288760038	2	SPRING, TENSION,
15	1192760015	2	VEER,
16	1-34-577-057	1	KAST,
17	190003840014	2	SCHROEF, , ST4,2x13-K-A3C
18	190003936100	2	SLUITRING, , 5,3-140HV-A3C

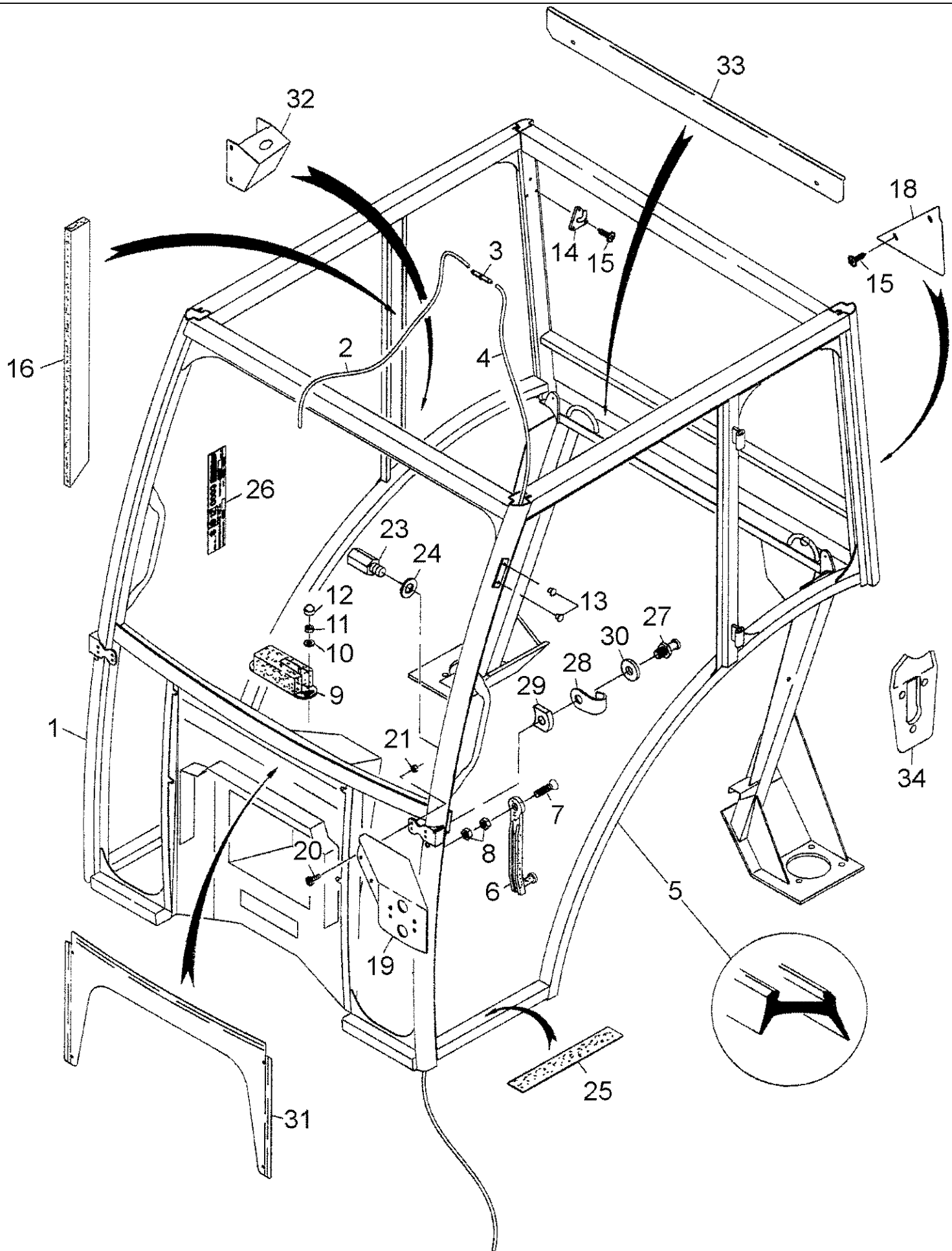


## 09B-11(01) PLANTA-CAB

Ref	Onderdeelnummer	Kwt	Beschrijving
1	1-34-518-326	1	KABINE, , Ohne Klimaanlage/Without Air Conditioner/Sans Climatiseur/Uden Klimaanlæg/Senza Climatizzatore - Siehe nächste Seite(n)/See next page(s)/Voir page(s) suivante(s)/Se næste side (r )/Vedere pagin(a/e) sequent(e/i)
2	1-34-518-327	1	KABINE, , Mit Klimaanlage/With Air Conditioner/Avec Climatiseur/Med Klimaanlæg/Con Climatizzatore - Siehe nächste Seite(n)/See next page(s)/Voir page(s) suivante(s)/Se næste side (r )/Vedere pagin(a/e) sequent(e/i)
3	1-34-517-001	1	BOW, , Siehe nächste Seite(n)/See next page(s)/Voir page(s) suivante(s)/Se næste side (r )/Vedere pagin(a/e) sequent(e/i)
4	REF	-	INSTRUCTION, , Siehe Kapitel 09A/See Chapter 09A/Voir Chapitre 09A/Se kapitel 09A/Vedere capitolo 09A
5	REF	-	INSTRUCTION, , Siehe Seite(n) vorne/See Page(s) before/Voir Page(s) avant/Se side (r ) forrest/Vedere pagin(a/e) precedent(e/i)
6	1-34-584-500	1	LUCHTKOELER, , Siehe nächste Seite(n)/See next page(s)/Voir page(s) suivante(s)/Se næste side (r )/Vedere pagin(a/e) sequent(e/i)
7	1-34-524-420	1	VOETTREDE, , Links/Left/Gauche/Venstre/Sinistro
7	1-34-524-419	1	VOETTREDE, , Rechts/Right/Droit/Højre/Destrav
8	1-34-541-224	1	LAGER, , Links/Left/Gauche/Venstre/Sinistro
8	1-34-541-220	1	LAGER, , Rechts/Right/Droit/Højre/Destra
9	190003171699	1	PLUG, , B12,5x12
9	190003171679	1	PLUG, , A14,6x9,5
9	190003179432	2	PLUG, , A16,7x5,5
9	190003179464	1	PLUG, , A40,7x15
10	1680360005	1	VERWISSELBAAR RISTERVOORS,

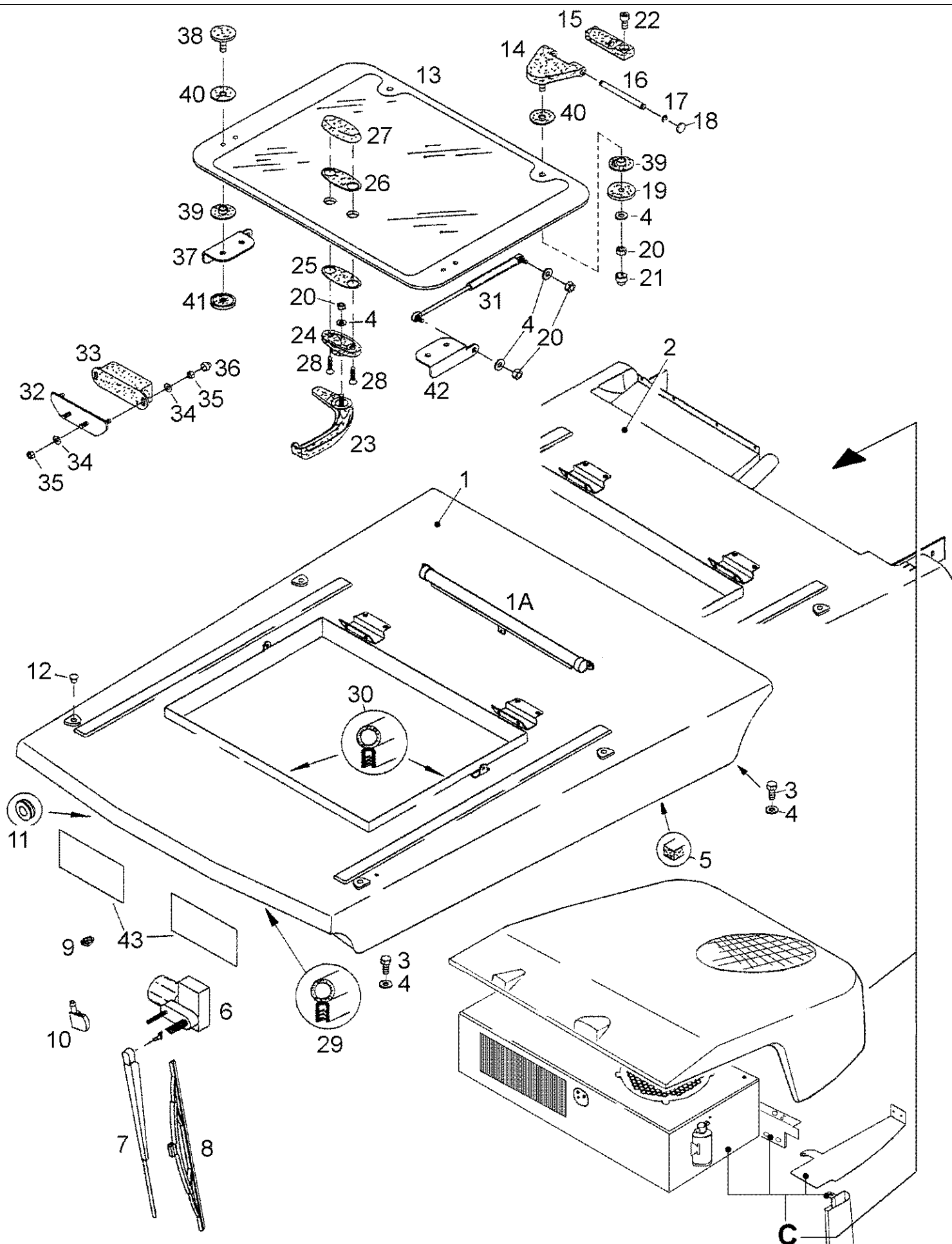


09B-12(01) PLANTA-CAB FRAME



## 09B-12(01) PLANTA-CAB FRAME

Ref	Onderdeelnummer	Kwt	Beschrijving
1	1-34-518-390	1	CABINE, CARROSSERIE, KABINENRAHMEN
2	340727A1	1	FLEXIBELE BUIS, , L = 1m
3	340728A1	1	CONNECTION,
4	340729A1	1	FLEXIBELE BUIS, , L = 4m
5	340730A1	1	DICHTING, RUBBER, , L = 3m
6	1-34-701-438	2	PLAAT, GROOT,
7	190003825420	2	SCHROEF, , M8x20
8	340732A1	4	MOER,
9	1-34-571-002	1	SLOT,
10	190003930251	2	SCHIJF, , A6,4-140HV-A3C
11	190003888608	2	MOER, , VM6-8
12	1-34-701-151	2	COVER, PROTECTIVE, , Ø6
13	190003171273	4	PLUG, , AØ8,4x6
14	1-34-702-929	1	KLEERHANGER,
15	190003840026	5	SCHROEF, , 4,8x16
16	1-34-569-439	1	VULLING, VERKLEIDUNG, Links/Left/Gauche/Venstre/Sinistro
16	1-34-569-440	1	VULLING, VERKLEIDUNG, Rechts/Right/Droit/Højre/Destra
18	1-34-518-394	1	DEKSEL, ABDECKUNG
19	1-34-573-001	1	GUIDE, LEVERS, KONSOLE, Links/Left/Gauche/Venstre/Sinistro
19	1-34-573-002	1	GUIDE, LEVERS, KONSOLE, Rechts/Right/Droit/Højre/Destra
20	190003823813	4	SCHROEF, , M 5x12-4.8-H-BN
21	190003888450	4	MOER, , VM5-8-A2C
23	340745A1	4	PIN, LARGE,
24	190003930261	4	SLUITRING, , A8,4
25	340747A1	1	DICHTING, RUBBER, , L = 1m
26	1-34-577-357	1	IDENTIFICATIEPLAAT, AUFKLEBER
27	1-34-721-121	2	PEN,
28	1-34-701-612	2	BOW,
29	1-34-701-026	2	PLAAT,
30	1-34-701-025	2	SLUITRING,
31	1-34-518-392	1	COVER, PROTECTIVE, ABDECKBLECH
32	1-34-518-391	1	KONZOOOL, KONSOLE
33	1-34-518-393	1	DEKSEL, ABDECKUNG
34	1-34-577-355	1	STEUN, KONSOLE, Links/Left/Gauche/Venstre/Sinistro
34	1-34-577-356	1	STEUN, KONSOLE, Rechts/Right/Droit/Højre/Destra



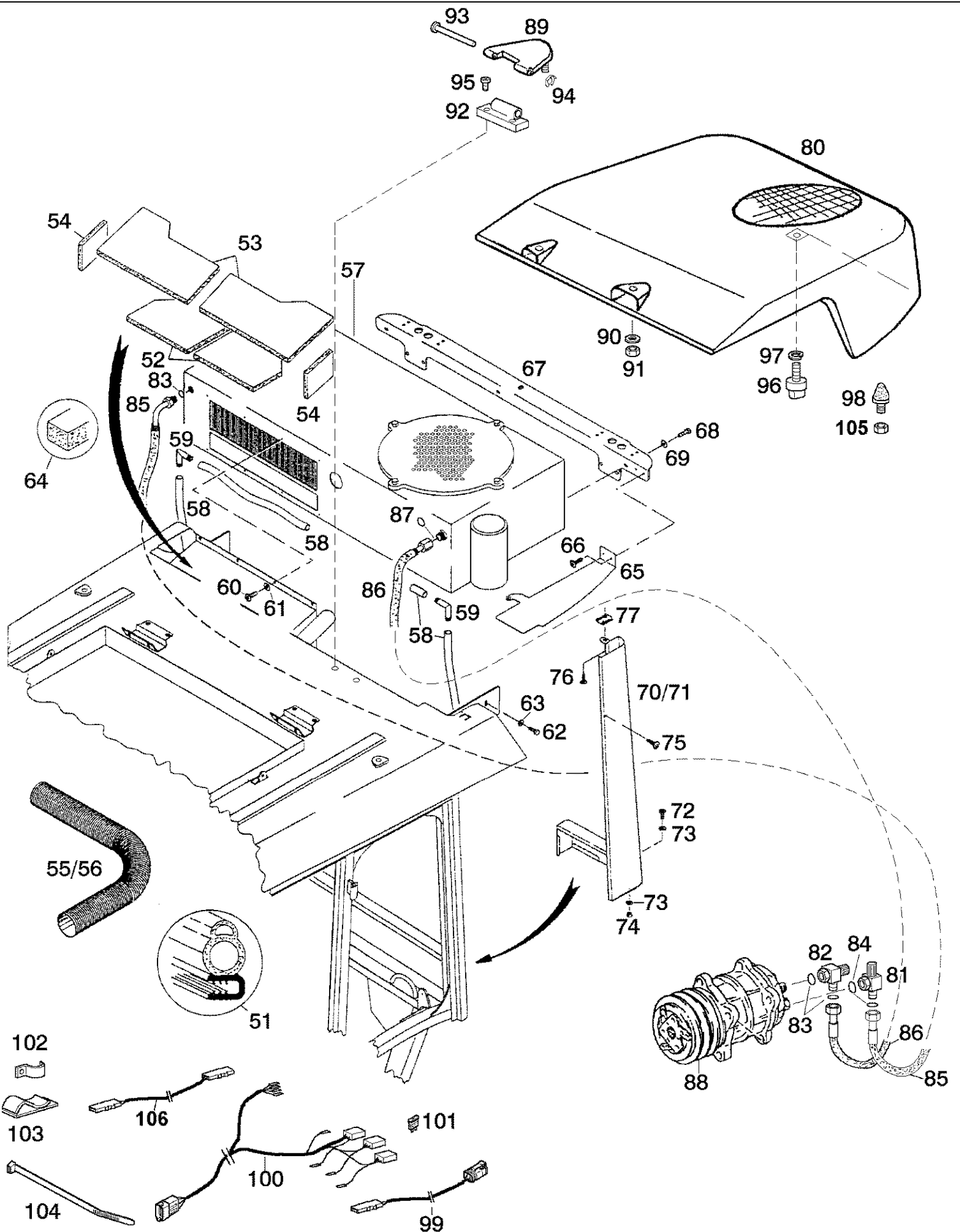
## 09B-13(01) PLANTA-ROOF

Ref	Onderdeelnummer	Kwt	Beschrijving
	1-34-519-502	1	HARD DAK, DACH, Ohne Klimaanlage/Without Air Conditioner/Sans Climatiseur/Uden Klimaanlæg/Senza Climatizzatore, Besteht aus/Consists of/Compose de/Bestående af/È composto da 1, 3 - 43
	1-34-519-503	1	HARD DAK, DACH, Mit Klimaanlage/With Air Conditioner/Avec Climatiseur/Med Klimaanlæg/Con Climatizzatore, Besteht aus/Consists of/Compose de/Bestående af/È composto da 2 - 43
C	REF	-	INSTRUCTION, , Siehe nächste Seite(n)/See next page(s)/Voir page(s) suivante(s)/Se næste side (r )/Vedere pagin(a/e) sequent(e/i)
1	340807A1	1	HARD DAK,
2	340806A1	1	HARD DAK,
3	16043224	4	BOUT, Hex, M8 x 16, 8.8, Full Thd,
4	190003930261	6	SLUITRING, , A8,4
5	340767A1	X	DICHTING, RUBBER, , 10x15; L = 5m
6	340824A1	1	MOTOR, RUITENWISSER,
7	340823A1	1	WIPER ARM,
8	340822A1	1	INZETSTUK,
9	340821A1	2	KLEM,
10	340820A1	1	SPROEIER,
11	340804A1	1	KABELDOORGANG,
12	340818A1	4	PLASTIC PLUG,
13	340816A1	1	VENSTER,
14	1-34-635-001	2	SCHARNIER,
15	1-34-635-003	2	LAGERHUIS,
16	340801A1	2	PEN,
17	190003936614	4	SLUITRING, , 5-A3C
18	340819A1	4	RESERVOIRDOP,
19	1-34-635-011	2	SLUITRING,
20	190003888451	6	MOER, , VM8-8
21	190003179544	2	AFSCHERMKAP, , M8
22	190003862419	4	SCHROEF, , M8x16-8.8
23	1-34-135-101	1	HANDGREEP,
24	1-34-135-102	1	STEUN,
25	1-34-135-115	1	RING, RUBBER,
26	1-34-135-116	1	RING, RUBBER,
27	1-34-135-103	1	VERBINDINGSBLOK,
28	190003825420	2	SCHROEF, , M8x20
29	1-34-701-825	X	WEATHERSTRIP, , L = 1m
30	340817A1	X	DICHTINGSRING, , L = 3m
31	340733A1	2	CYLINDER ASSY.,
32	340734A1	1	MOER,
33	1-34-701-150	1	LATCH, PEDALS,
34	190003930251	4	SCHIJF, , A6,4-140HV-A3C

## 09B-13(01) PLANTA-ROOF

Ref	Onderdeelnummer	Kwt	Beschrijving
35	190003888608	4	MOER, , VM6-8
36	1-34-701-151	2	COVER, PROTECTIVE, , Ø6
37	340814A1	1	HOEKSTUK, , Rechts/Right/Droit/Højre/Destra
38	340800A1	4	SCHROEF,
39	1-34-701-015	6	SCHIJF,
40	1-34-701-016	6	WASHER, RUBBER,
41	340777A1	4	WASHER, RUBBER,
42	340815A1	1	HOEKSTUK, , Links/Left/Gauche/Venstre/Sinistro
43	340805A1	2	DECAL,

09B-14(01) PLANTA--AIR CONDITIONING



## 09B-14(01) PLANTA--AIR CONDITIONING

Ref	Onderdeelnummer	Kwt	Beschrijving
51	340862A1	X	DICHTINGSRING, , L = 1m
52	340863A1	1	SCHUIMRUBBER,
53	340864A1	1	SCHUIMRUBBER,
54	340865A1	2	SCHUIMRUBBER,
55	340866A1	X	SLANG, GROOT, , L = 1m
56	340867A1	X	SLANG, GROOT, , L = 1m
57	1-34-584-500	1	LUCHTKOELER, , Siehe nächste Seite(n)/See next page(s)/Voir page(s) suivante(s)/Se næste side (r ) /Vedere pagin(a/e) seguent(e/i)
58	340868A1	X	SLANG, GROOT, , L = 3m
59	340869A1	2	ELBOW,
60	190003820001	8	SCHROEF, , M4x16
61	190003930231	8	SLUITRING, , A4,3
62	190003802218	2	SCHROEF, , M5x16-8.8-A2C
63	190003930241	2	SLUITRING, , A5,3
64	340767A1	X	DICHTING, RUBBER, , 10x15, L = 2m
65	1-34-519-509	1	STEUN, ABDECKUNG
66	190003840026	2	SCHROEF, , 4,8x16
67	1-34-519-512	1	STEUN, TRAGEBALKEN
68	120100	3	BOUT, Hex, M6 x 20, 8.8,
69	190003930251	3	SCHIJF, , A6,4-140HV-A3C
70	1-34-584-250	1	SHROUD ASSY., , Links/Left/Gauche/Venstre/Sinistro
71	1-34-584-251	1	SHROUD ASSY., , Rechts/Right/Droit/Højre/Destra
72	190003823813	4	SCHROEF, , M 5x12-4.8-H-BN
73	190003930241	8	SLUITRING, , A5,3
74	190003888450	4	MOER, , VM5-8-A2C
75	190003840026	4	SCHROEF, , 4,8x16
76	190003840058	2	SCHROEF, , 4,2x13-C-H-A3C
77	340878A1	2	MOER,
80	1-34-584-505	1	FLAP,
81	1-34-684-094	1	KOPPELING,
82	1-34-684-138	1	FITTING,
83	1-34-684-097	X	O-RING, , Ø 8mm
84	1-34-684-116	X	O-RING, , Ø 10mm
85	340643A1	1	FLEXIBELE BUIS, , iØ 8mm
86	340642A1	1	FLEXIBELE BUIS, , iØ 10mm
87	1-34-684-096	X	O-RING, , Ø 6mm
88	REF	-	INSTRUCTION, , Siehe Kapitel 02/See Chapter 02/Voir Chapitre 02/Se kapitel 02/Vedere capitolo 02
89	1-34-635-001	2	SCHARNIER,
90	190003936103	2	SLUITRING, , 8,4-140HV-A3C-DIN9021
91	190003888451	2	MOER, , VM8-8
92	1-34-635-003	2	LAGERHUIS,

## 09B-14(01) PLANTA--AIR CONDITIONING

Ref	Onderdeelnummer	Kwt	Beschrijving
93	1-34-635-004	2	PEN,
94	1-34-635-019	2	VEERRING, , iØ = 8mm
95	190003862427	4	SCHROEF, , M8x20-8.8
96	1-99-904-007	1	KNOP,
97	190003937928	1	SLUITRING, , 8
98	199112930193	2	SCHOKDEMPER,
99	1-41-177-668	1	CABLE ASSY., , Für Kompressor/For Compressor/Pour Compresseur/Til Kompressor/Per Compressore
100	1-41-177-678	1	CABLE ASSY., , Für Klimaanlage/For Air conditioner/Pour Climatiseur/Til Klimaanlæg/Per Climatizzatore
101	1-40-258-120	2	ZEKERING, , 20A
101	1-40-258-107	1	ZEKERING, , 7,5A
102	199100360174	2	KLEM,
103	1397770015	1	KABEL,
104	190003171697	X	BEVESTIGINGSKLEM, , A5x180 / K02
105	43362	2	MOER, M8, CI 10,
106	1-41-177-858	1	CABLE ASSY.,



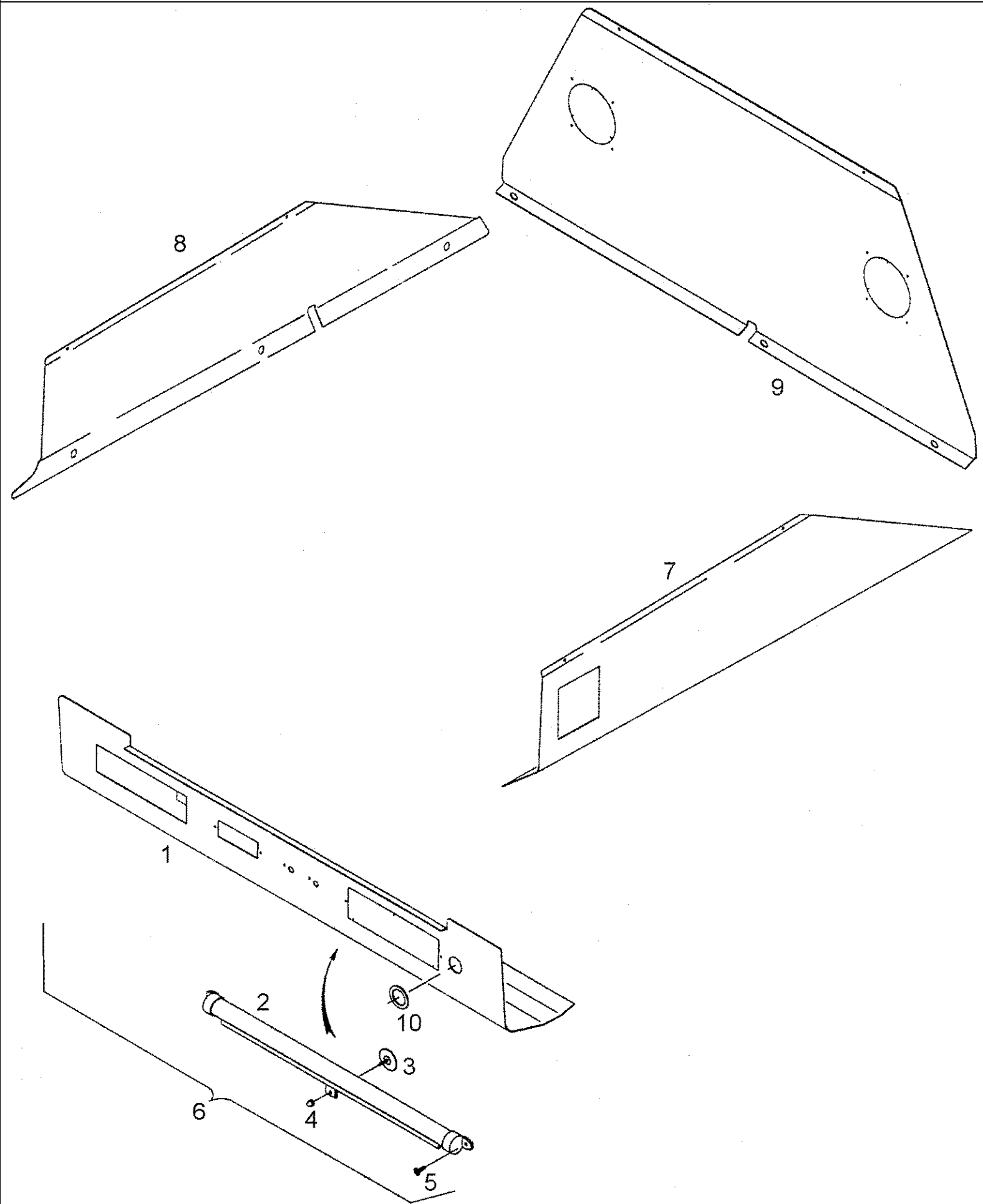


## 09B-15(01) PLANTA-AIR CONDITIONING, DISASSEMBLED

Ref	Onderdeelnummer	Kwt	Beschrijving
	1-34-584-500	1	LUCHTKOELER, , Besteht aus/Consists of/Compose de/Bestående af/È composto da 1 - 40, 47, 48
1	340725A1	1	HUIS,
2	340724A1	1	COVER,
3	340723A1	1	VERDAMPER,
4	340722A1	1	STEUNBEUGEL,
5	1-34-684-073	1	ELECTROKLEP,
6	1-34-684-125	1	BLAZER, , Besteht aus/Consists of/Compose de/Bestående af/È composto da 61 - 66
7	1-34-684-479	1	BLAZER, , Besteht aus/Consists of/Compose de/Bestående af/È composto da 71 - 74
8	340721A1	1	ROOSTER,
9	340720A1	1	CAPACITOR,
10	1-34-784-168	1	VERDAMPER,
11	1-34-784-167	2	BEVESTIGINGSKLEM,
12	340719A1	1	HUIS,
13	340718A1	1	KLINK,
14	340717A1	1	ZUIGERVEERPAKKET,
15	340716A1	1	ROPE, METAL,
16	340715A1	1	VALVE,
17	340714A1	1	KANAAL,
18	340713A1	1	REGELAAR,
19	299929A1	1	THERMOSTAAT,
20	340712A1	1	POTENTIOMETER,
21	299930A1	1	POTENTIOMETER,
22	340711A1	1	BUISJE,
23	1-34-684-085	1	DRUKSCHAKELAAR,
24	340710A1	1	VERDEELPLAAT,
25	340709A1	1	PLAAT, GROOT,
26	340708A1	1	PLAAT, GROOT,
27	340707A1	1	CLAMP,
28	1-34-684-097	2	O-RING, , Ø 8mm
29	1-34-684-096	2	O-RING, , Ø 6mm
30	340706A1	1	HOUDER,
31	340705A1	1	HARNESS,
32	340704A1	1	ZUIGERVEERPAKKET,
33	1-34-784-117	2	DICHTINGSSTUK,
34	1-34-784-153	1	DICHTINGSSTUK,
35	340703A1	1	KABELDOORGANG,
36	340702A1	1	HARNESS,
37	340701A1	1	CLAMP,
38	1-34-784-217	X	KLEM, , 1/2"
39	1-34-784-218	X	FLEXIBELE BUIS, , 1/2"
40	340700A1	4	ELLEBOOG,

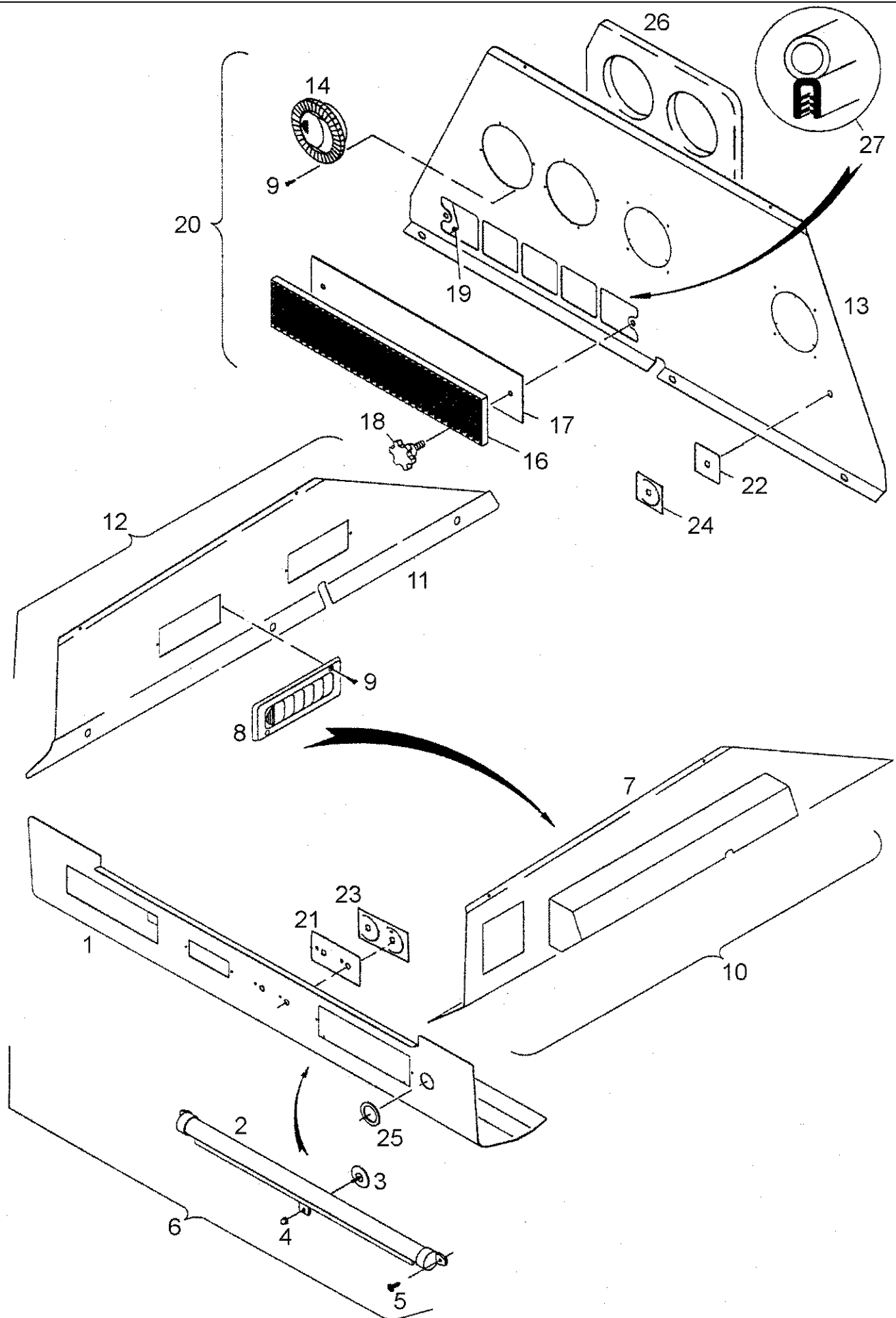
## 09B-15(01) PLANTA-AIR CONDITIONING, DISASSEMBLED

Ref	Onderdeelnummer	Kwt	Beschrijving
42	340642A1	1	FLEXIBELE BUIS, , iØ 10mm
43	340643A1	1	FLEXIBELE BUIS, , iØ 8mm
44	340644A1	X	STRIP, SEALING,
45	340645A1	3	KNAP,
46	340646A1	1	REMOTE CONTROL,
47	340647A1	1	SENSOR, , Für Entfroster/For Defroster/Pour Degivreur
48	1-34-184-042	1	FILTER, CABINE,
61	1-34-784-109	1	HUIS,
62	1-34-784-126	2	BLAZER,
63	1-34-784-142	1	KLEINE ELECTRISCHE MOTOR,
64	1-34-784-110	4	RING,
65	1-34-784-115	2	DEKSEL,
66	1-34-784-113	1	SPANHULS,
71	1-34-784-173	1	HUIS,
72	1-34-784-172	1	VENTILATOR,
73	299960A1	1	ELEKTRISCHE MOTOR,
74	299959A1	1	KLEM,



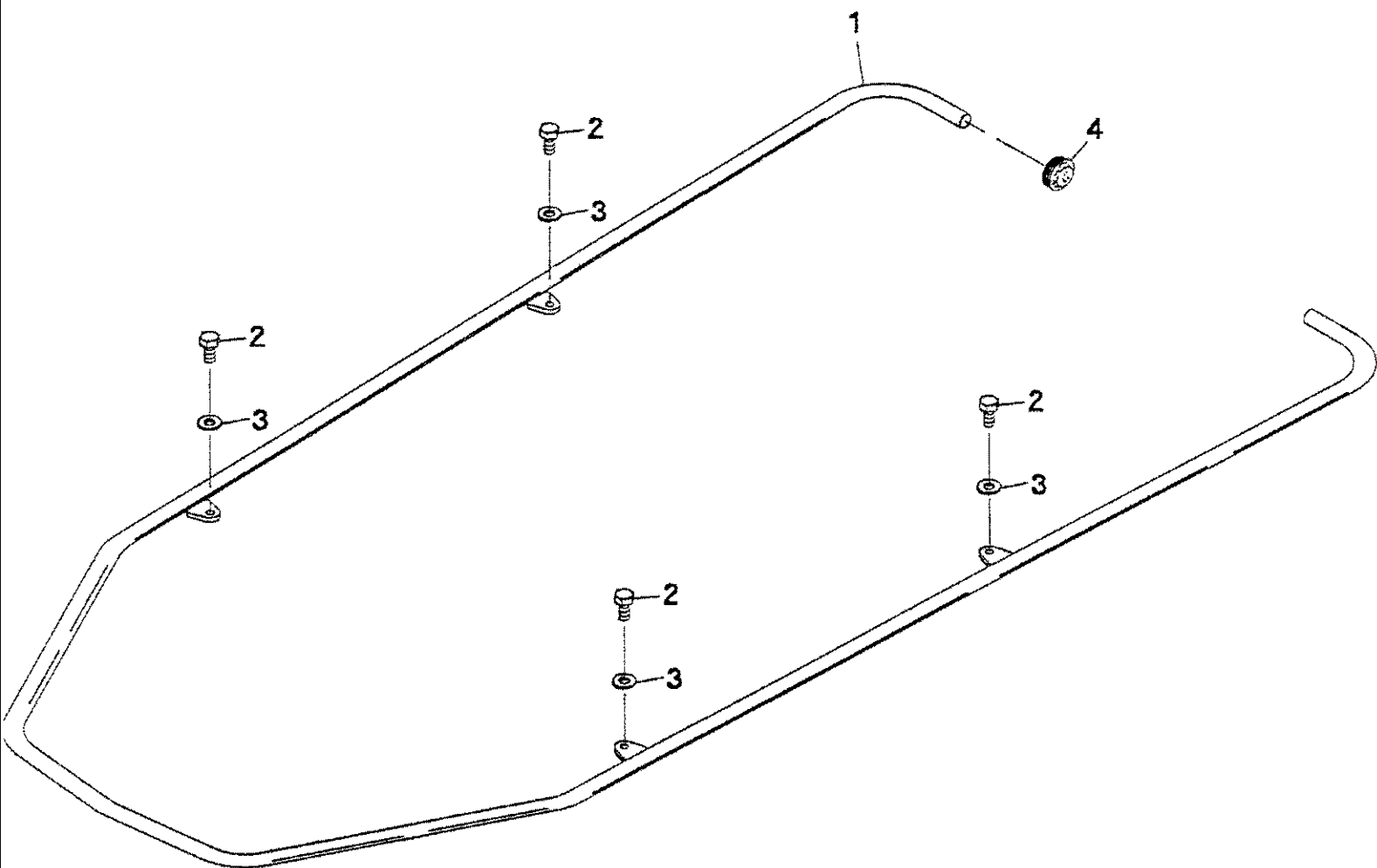
## 09B-16(01) PLANTA-ROOF LINING WITHOUT AIR CONDITIONER

Ref	Onderdeelnummer	Kwt	Beschrijving
1	1-34-519-516	1	SUPPORT, PANEL, VERKLEIDUNG
2	340840A1	1	VISOR, SUN,
3	340841A1	1	WASHER, RUBBER,
4	340842A1	1	MOER,
5	190003843141	2	ZELFTAPPENDE SCHROEF, Cross Pan Hd, M4.2 x 16, , ST4,2x16
6	340843A1	1	KONZOOOL, , Besteht aus/Consists of/Compose de/Bestående af/È composto da 1 - 5
7	1-34-569-432	1	STALEN PLAAT, VERKLEIDUNG, Links/Left/Gauche/Venstre/Sinistro
8	1-34-569-433	1	STALEN PLAAT, VERKLEIDUNG, Rechts/Right/Droit/Højre/Destra
9	1-34-569-435	1	STALEN PLAAT, VERKLEIDUNG, Hinten/Rear/Derrière/Bagest/Posteriore
10	354563A1	1	HOUDER,



## 09B-17(01) PLANTA-ROOF LINING WITH AIR CONDITIONER

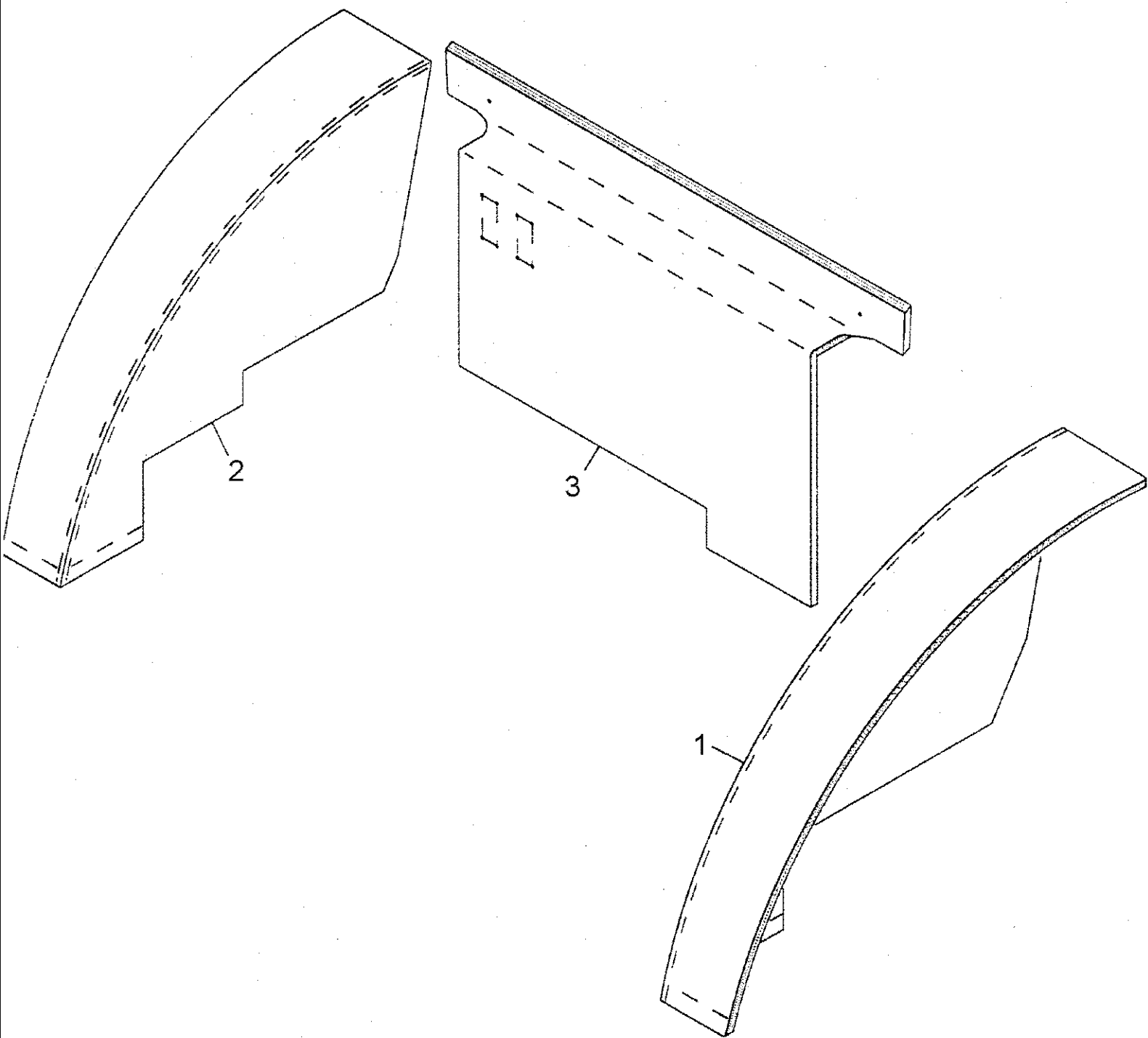
Ref	Onderdeelnummer	Kwt	Beschrijving
1	1-34-519-516	1	SUPPORT, PANEL, VERKLEIDUNG
2	340840A1	1	VISOR, SUN,
3	340841A1	1	WASHER, RUBBER,
4	340842A1	1	MOER,
5	190003843141	2	ZELFTAPPENDE SCHROEF, Cross Pan Hd, M4.2 x 16, , ST4,2x16
6	340843A1	1	KONZOOOL, , Besteht aus/Consists of/Compose de/Bestående af/È composto da 1 - 5
7	1-34-569-430	1	STALEN PLAAT, VERKLEIDUNG, Links/Left/Gauche/Venstre/Sinistro
8	340853A1	4	SPROEIER,
9	190003844712	16	ZELFTAPPENDE SCHROEF, Cross Csk Hd, M3.5 x 19, , 3,5x19
10	340848A1	1	PANEELWERK, , Links/Left/Gauche/Venstre/Sinistro - Besteht aus/Consists of/Compose de/Bestående af/È composto da 7 - 9
11	1-34-569-431	1	STALEN PLAAT, VERKLEIDUNG, Rechts/Right/Droit/Højre/Destra
12	340850A1	1	PANEELWERK, , Rechts/Right/Droit/Højre/Destra - Besteht aus/Consists of/Compose de/Bestående af/È composto da 8, 9, 11
13	1-34-569-434	1	STALEN PLAAT, VERKLEIDUNG, Hinten/Rear/Derrière/Bagest/Posteriore
14	340855A1	2	VENT,
16	340857A1	1	FILTER, CABINE,
17	340856A1	1	FILTER,
18	340858A1	2	SCHROEF,
19	1-34-519-514	2	ISOLATIESCHUIM, DICHTUNGSTEIL
20	340852A1	1	PANEELWERK, , Besteht aus/Consists of/Compose de/Bestående af/È composto da 9, 13 - 19
21	1-34-584-252	1	DEKSEL, PLATTE
22	1-34-584-253	1	DEKSEL, PLATTE
23	1-34-584-510	1	DECAL,
24	1-34-584-515	1	DECAL,
25	354563A1	1	HOUDER,
26		1	DÄMMPLATTE
27		1	GUMMIPROFIL, L = 400mm





## 09B-18(01) PLANTA-PROTECTION

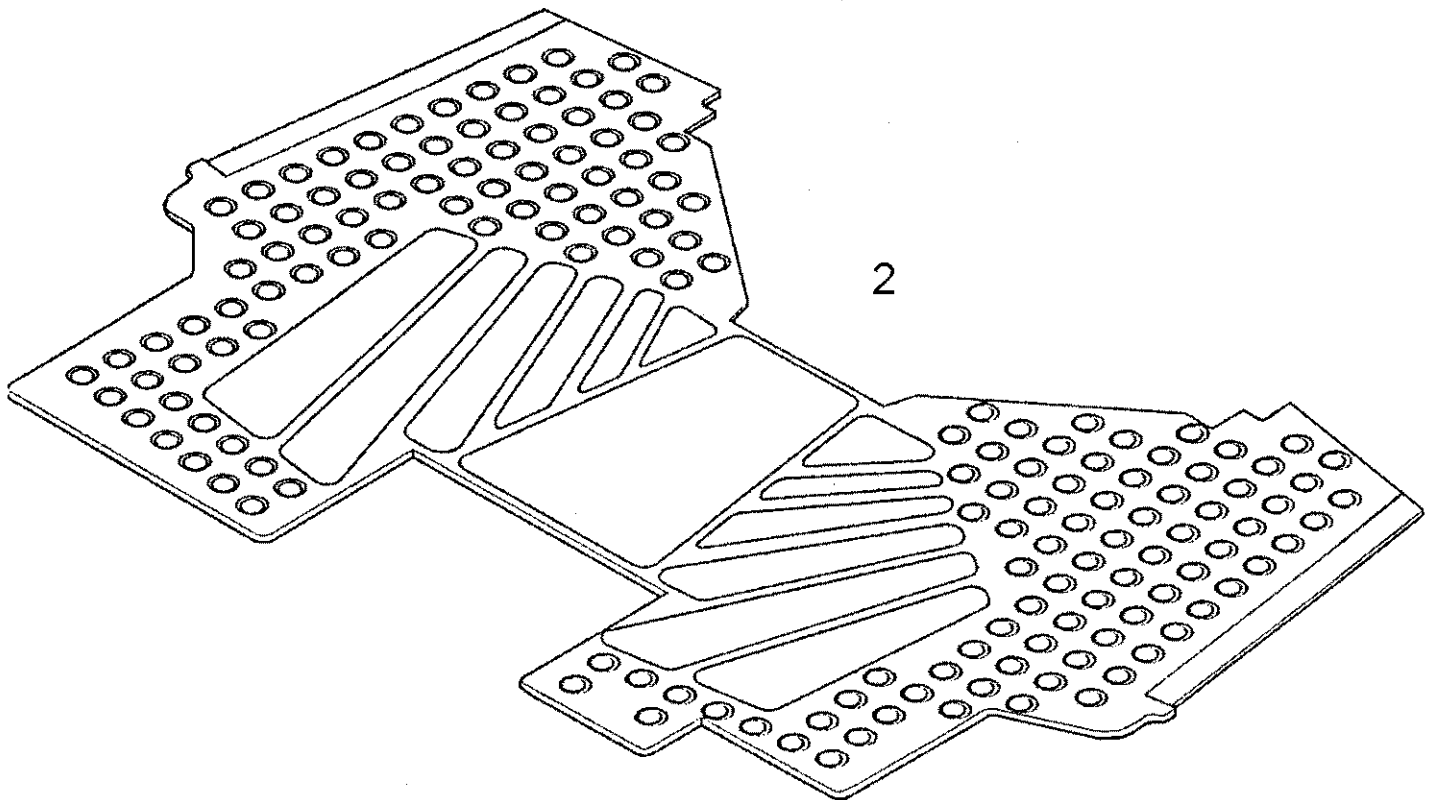
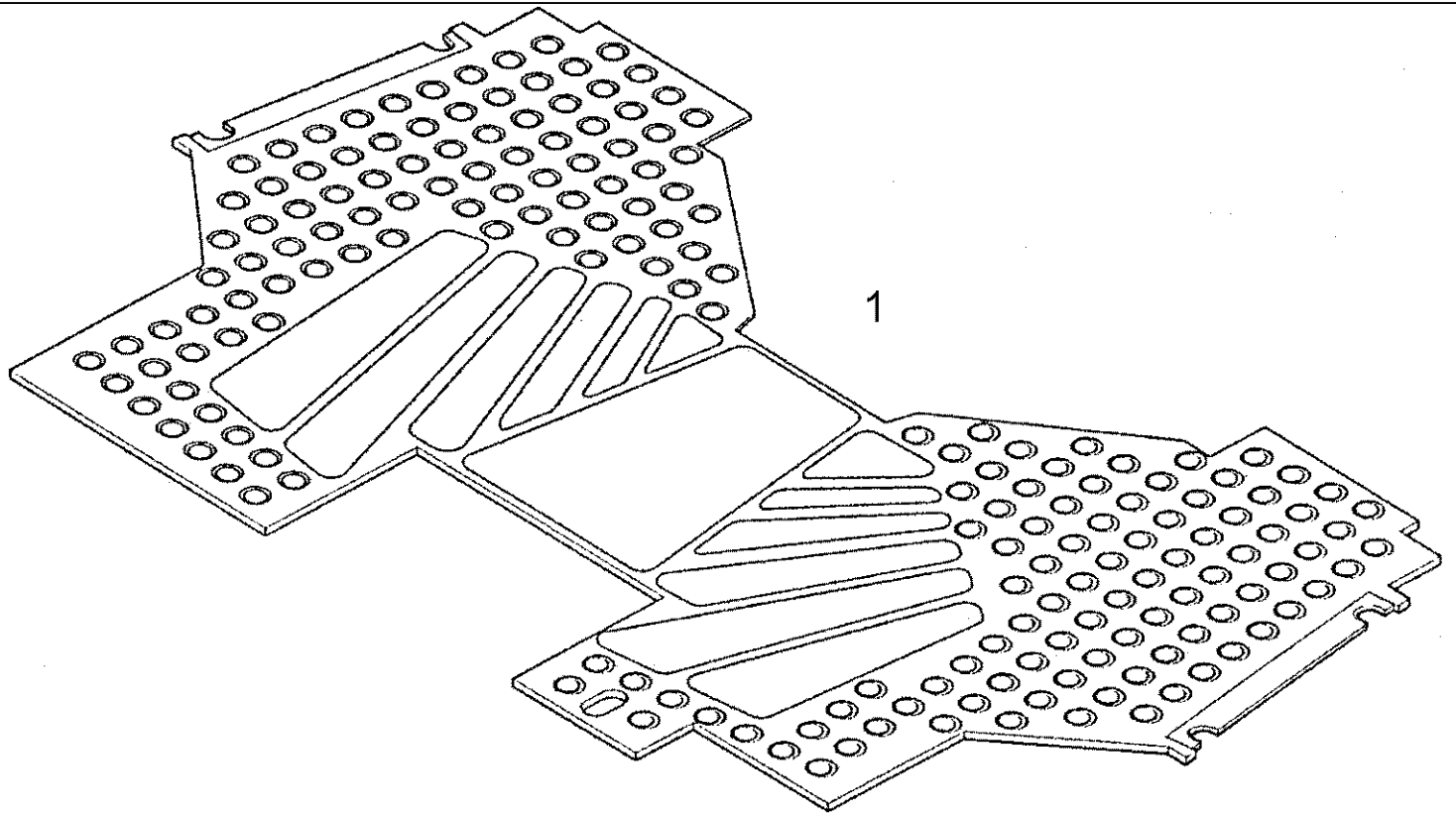
Ref	Onderdeelnummer	Kwt	Beschrijving
	1-34-517-001	1	BOW, , Besteht aus/Consists of/Compose de/Bestående af/È composto da 1 - 4
1	340879A1	1	BOW,
2	190003802506	4	SCHROEF, , M10x16-8.8
3	190003930271	4	SCHIJF, , A10,5-140HV-A3C
4	340882A1	2	PLUG,



## 09B-19(01) PLANTA-CAB COWLING

Ref	Onderdeelnummer	Kwt	Beschrijving
1	1-34-569-437	1	VULLING, VERKLEIDUNG, Links/Left/Gauche/Venstre/Sinistro
2	1-34-569-436	1	VULLING, VERKLEIDUNG, Rechts/Right/Droit/Højre/Destra
3	1-34-569-438	1	VULLING, VERKLEIDUNG

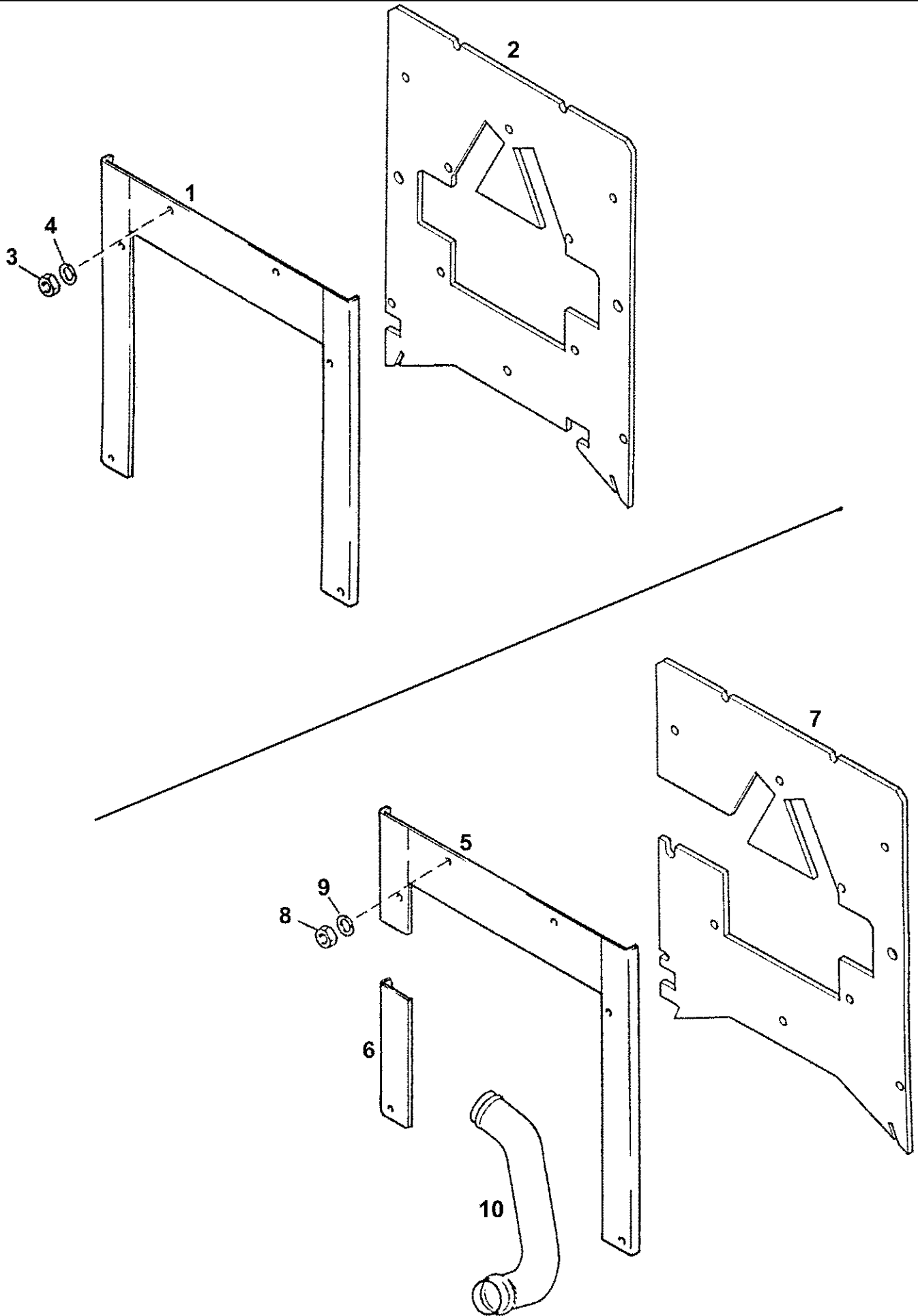
09B-20(01) FLOOR MATS



## 09B-20(01) FLOOR MATS

Ref	Onderdeelnummer	Kwt	Beschrijving
1	1-34-562-110	1	MAT, FLOOR, , Standard
2	1-34-562-120	1	MAT, FLOOR, , Mit Planta-Kabine/With Planta-Cab/Avec Planta-Cabine/Med Planta-Kabine/Con Planta-Cabina

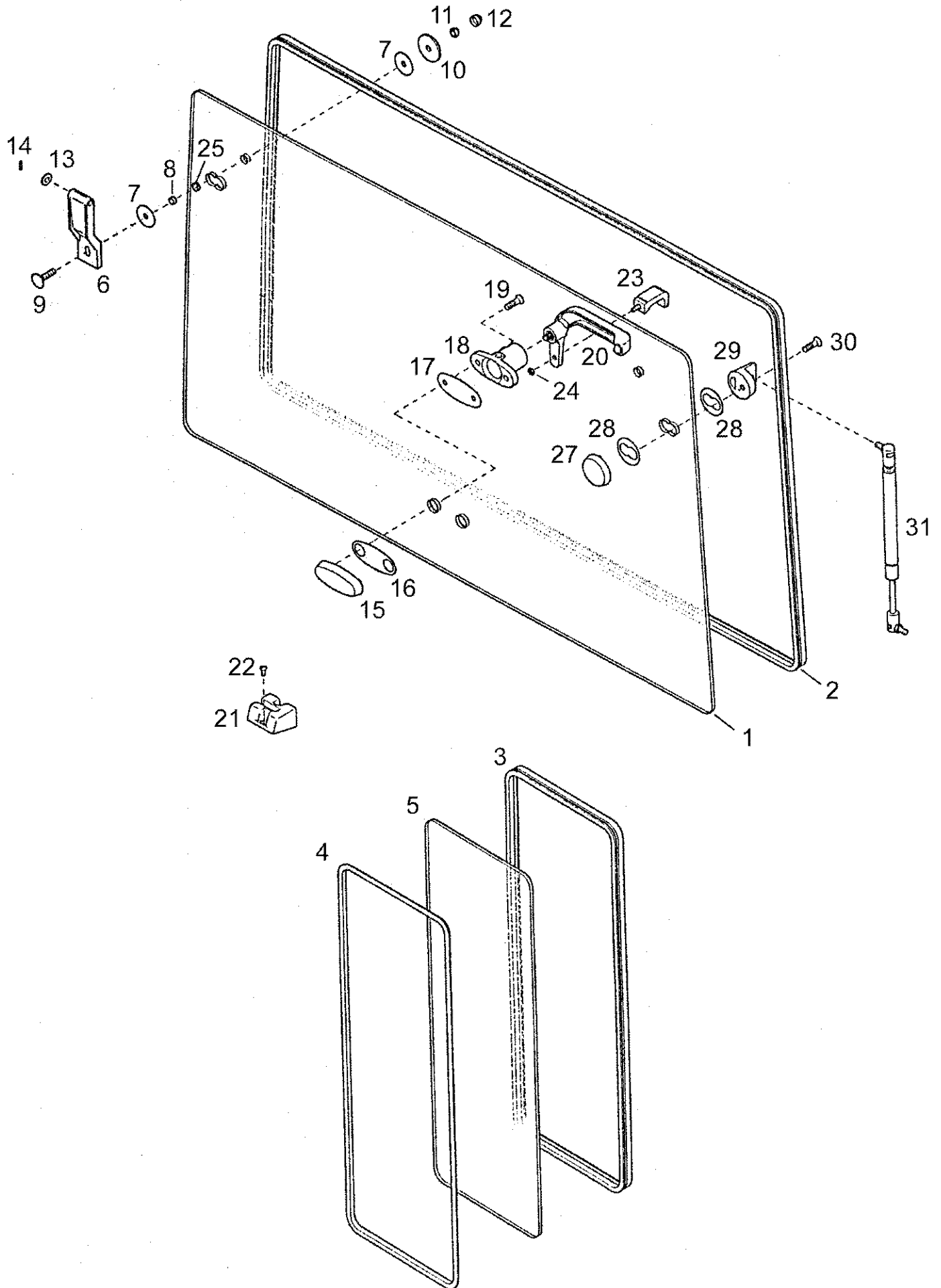
09B-21(01) INSULATING MAT, WITHOUT HEATING



## 09B-21(01) INSULATING MAT, WITHOUT HEATING

Ref	Onderdeelnummer	Kwt	Beschrijving
1	1-34-518-249	1	COVER, PROTECTIVE, , ---->01901
2	1-34-569-202	1	MAT,
3	190003930261	2	SLUITRING, , A8,4
4	43362	2	MOER, M8, CI 10,
5	1-34-518-280	1	ABDECKUNG, 01902 ---->
6	1-34-518-277	1	ABDECKUNG
7	1-34-569-206	1	MAT,
8	43362	2	MOER, M8, CI 10,
9	190003930261	2	SLUITRING, , A8,4
10	1-33-153-017	1	ELLEBOOG, , Siehe Kapitel 02/See Chapter 02/Voir Chapitre 02/Se kapitel 02/Vedere capitolo 02

09B-22(01) OPENING WINDSHIELD

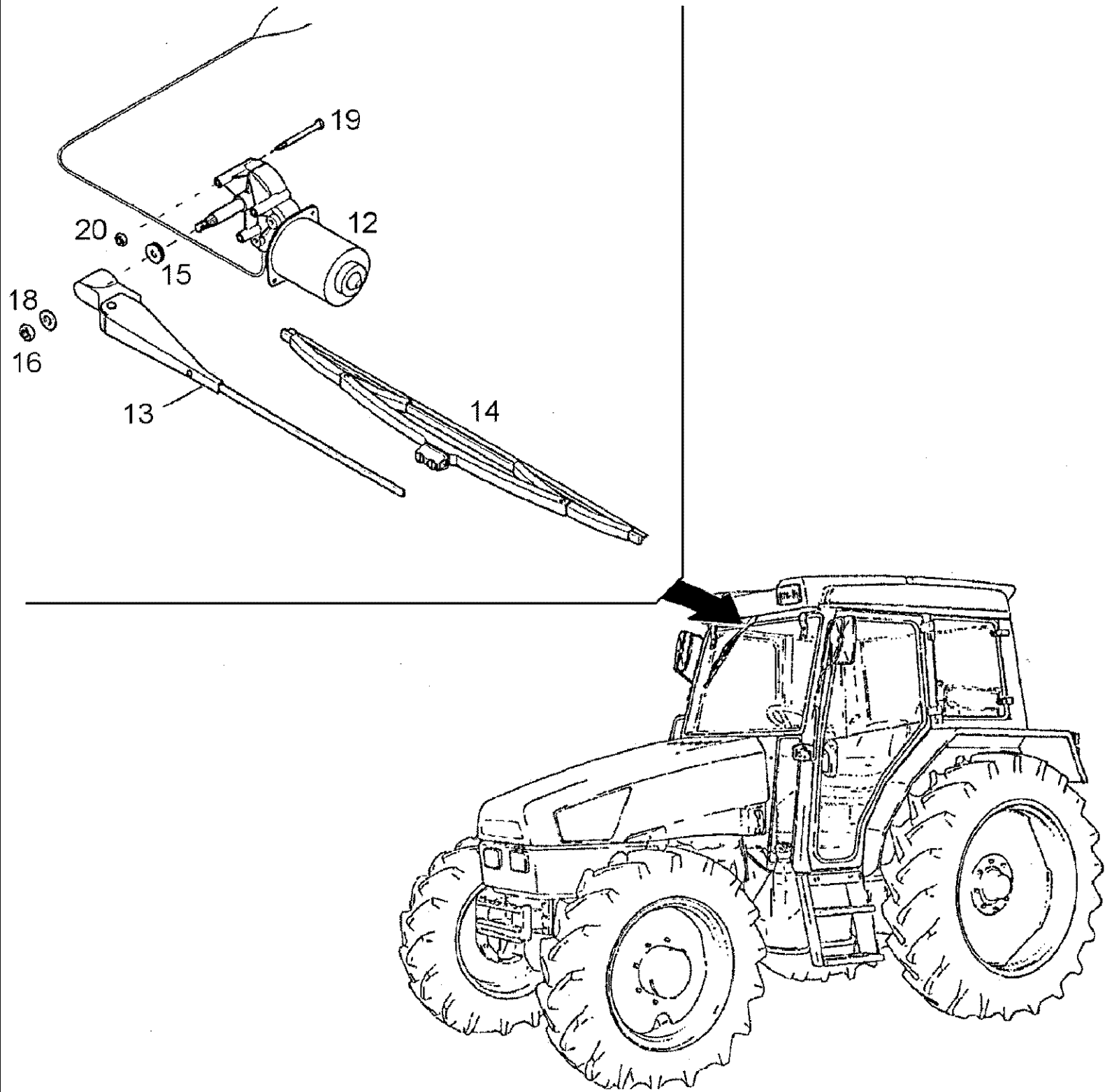




## 09B-22(01) OPENING WINDSHIELD

Ref	Onderdeelnummer	Kwt	Beschrijving
1	1-34-571-301	1	WINDSCREEN,
2	190003171165	X	DICHTINGSSTUK, , L = 4m
3	190003129861	X	PROFIEL, , L = 3300mm
4	1-34-171-212	2	DICHTINGSSTUK,
5	1-34-571-302	2	VENSTER,
6	1-34-135-108	2	SCHARNIER,
7	1-34-135-064	4	SLUITRING,
8	1-99-960-002	2	LAGER,KOPPELING DRUKPLAA,
9	190003834431	2	SCHROEF, , M8x30-MU-A2C
10	1-34-635-011	2	SLUITRING,
11	190003888451	2	MOER, , VM8-8
12	190003179544	2	AFSCHERMKAP, , M8
13	190003930261	2	SLUITRING, , A8,4
14	190003900018	2	SPANSTIFT, , 3x16-A3C
15	1-34-135-103	1	VERBINDINGSBLOK,
16	1-34-135-116	1	RING, RUBBER,
17	1-34-135-115	1	RING, RUBBER,
18	1-34-135-099	1	LAGERHUIS,
19	190003862017	2	SCHROEF, Cross Csk Hd, M8 x 20, 8.8, , M8x20-8.8
20	1-34-571-204	1	HANDGREEP,
21	1-34-571-202	1	DETENT,
22	190003860002	2	SCHROEF, , M6x12-8.8-A3
23	1-34-571-203	1	BAIL,
24	15896221	1	MOER, M6, CI 10, , M6-8-A2C, DIN934
25	1-99-960-005	2	LAGERBUS,
27	1-34-135-096	2	LAGERHUIS,
28	1-99-968-016	4	RING, RUBBER,
29	1-34-135-097	2	LAGER,
30	190003862017	2	SCHROEF, Cross Csk Hd, M8 x 20, 8.8, , M8x20-8.8
31	1-99-976-066	2	GAS STRUT, , L = 485mm

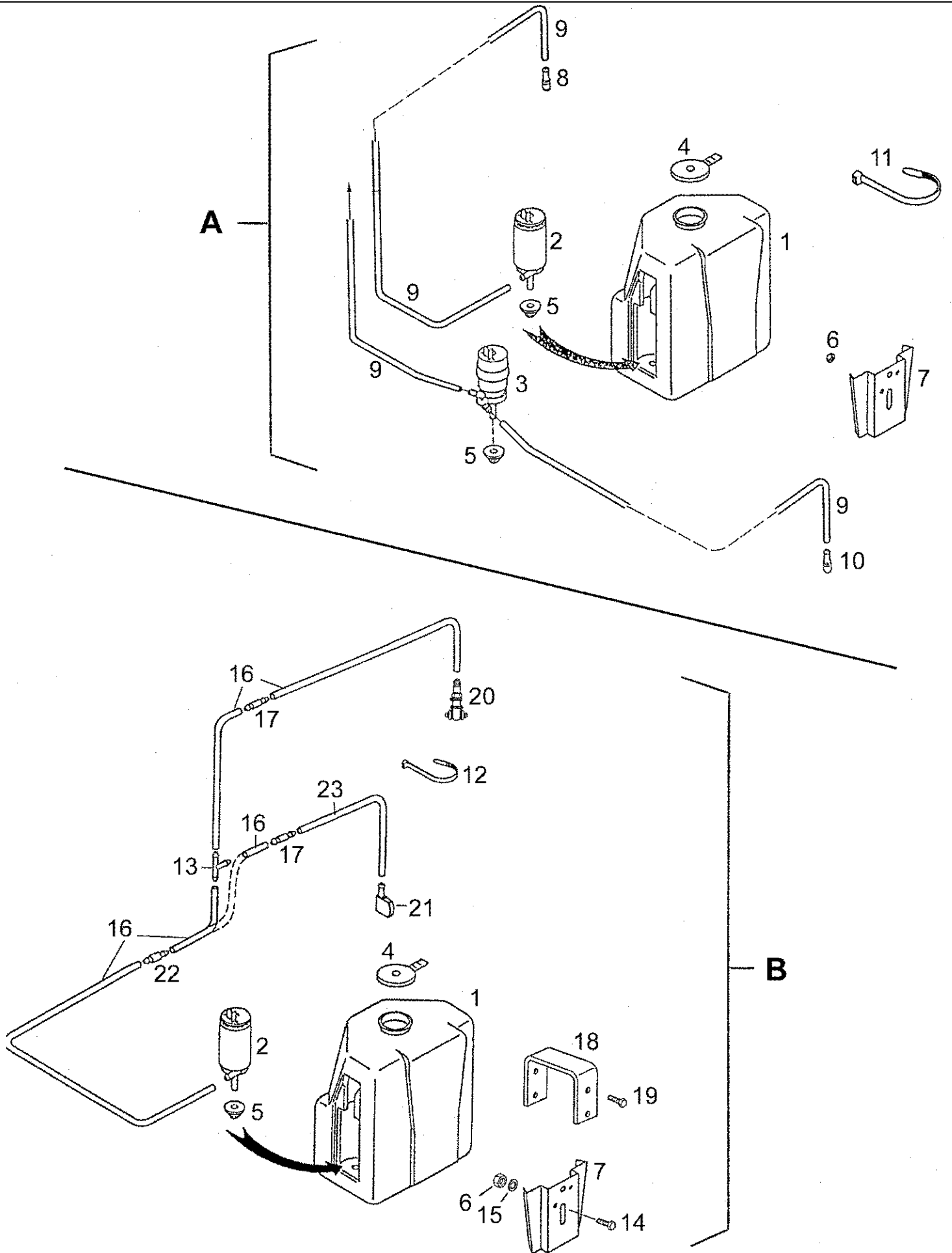
09B-23(01) WINDSCREEN WIPER



## 09B-23(01) WINDSCREEN WIPER

Ref	Onderdeelnummer	Kwt	Beschrijving
12	REF	-	INSTRUCTION, , Siehe Kapitel 04/See Chapter 04/Voir Chapitre 04/Se kapitel 04/Vedere capitolo 04
13	1-34-174-010	1	ARM,VAN RUITENWISSER,
14	1-34-674-006	1	RUITENWISSERBLAD,
15	1-34-174-015	1	SCHIJF,
16	1-34-174-016	1	MOER, , M16x1
18	190003930301	2	SLUITRING, , A17
19	190003800255	2	SCHROEF, , M5x55-8.8-A2C
20	43362	1	MOER, M8, CI 10,

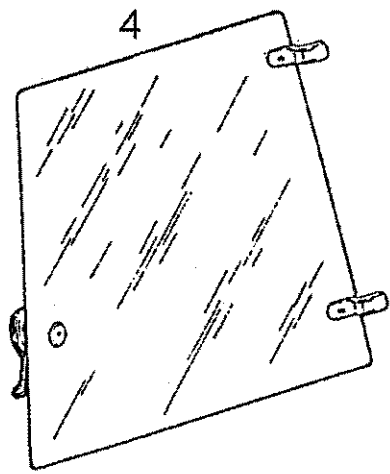
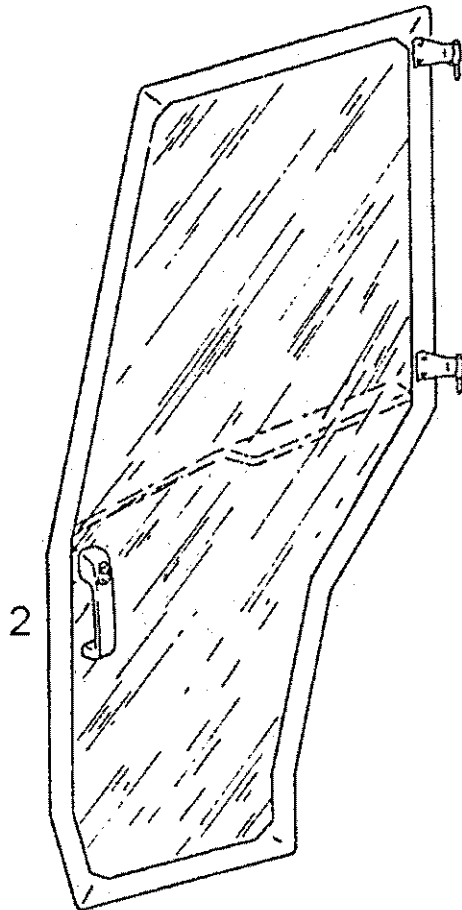
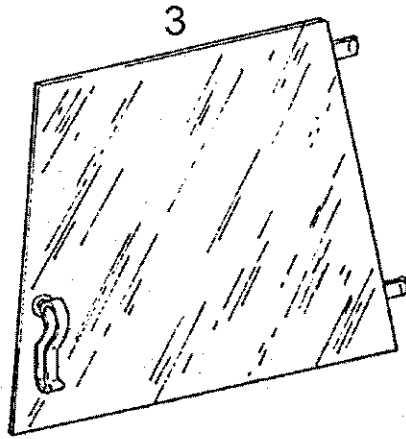
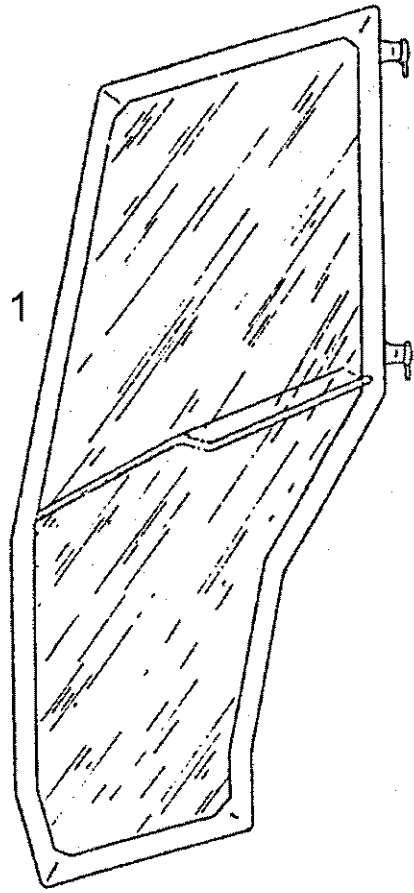
09B-24(01) WINDSCREEN WASHER



## 09B-24(01) WINDSCREEN WASHER

Ref	Onderdeelnummer	Kwt	Beschrijving
A	REF	-	INSTRUCTION, , Standard
B	REF	-	INSTRUCTION, , Mit Planta-Kabine/With Planta-Cab/Avec Planta-Cabine/Med Planta-Kabine/Con Planta-Cabina
	1-40-171-024	1	CONTAINER, , Einfachwirkend/Single acting/Simple effet/Enkeltwirkende/Asemplice effetto - Besteht aus/Consists of/Compose de/Bestående af/È composto da 1, 2, 4, 5
	1-40-171-025	1	PUMP, , Doppeltwirkend/Double acting/Double effet/Dobbelt virkende/A doppio effetto - Besteht aus/Consists of/Compose de/Bestående af/È composto da 1, 3, 4, 5
1	133700710239	1	CONTAINER,
2	1-40-171-026	1	PUMP, , Einfachwirkend/Single acting/Simple effet/Enkeltwirkende/Asemplice effetto
3	1-40-171-028	1	PUMP, , Doppeltwirkend/Double acting/Double effet/Dobbelt virkende/A doppio effetto
4	1-40-171-027	1	CAP, FILLER,
5	133700710244	1	MOF, RUBBER,
6	15896221	2	MOER, M6, CI 10, , M6-8-A2C, DIN934
7	133700710242	1	CONTAINER,
8	115020770005	1	SPROEIER, , Vorne/Front/Avant/Forrest/Anteriore
9	190003179811	X	FLEXIBELE SLANG, , K-7309; L = 6m
10	1-34-586-003	1	SPROEIER, , Hinten/Rear/Derrière/Bagest/Posteriore
11	190003171697	10	BEVESTIGINGSKLEM, , A5x180 / K02
12	190003171715	5	SPANHULS, , A2,5x100 / K01
13	1-40-186-001	1	FITTING,
14	86508568	2	BOUT, Hex, M6 x 16, 8.8,
15	190003930251	2	SCHIJF, , A6,4-140HV-A3C
16	190003179811	X	FLEXIBELE SLANG, , K-7309; L = 5m - Vorne/Front/Avant/Forrest/Anteriore
16	190003179811	X	FLEXIBELE SLANG, , K-7309; L = 3m - Hinten/Rear/Derrière/Bagest/Posteriore
17	340728A1	X	CONNECTION,
18	1-41-171-040	1	STEUNBEUGEL,
19	120104	2	BOUT, Hex, M8 x 20, 8.8,
20	1-34-586-003	1	SPROEIER,
21	REF	-	INSTRUCTION, , Siehe Seite(n) vorne/See Page(s) before/Voir Page(s) avant/Se side (r ) forrest/Vedere pagin(a/e) precedent(e/i)
22	1-34-686-005	1	ELECTROKLEP,
23	340727A1	1	FLEXIBELE BUIS, , L = 1m

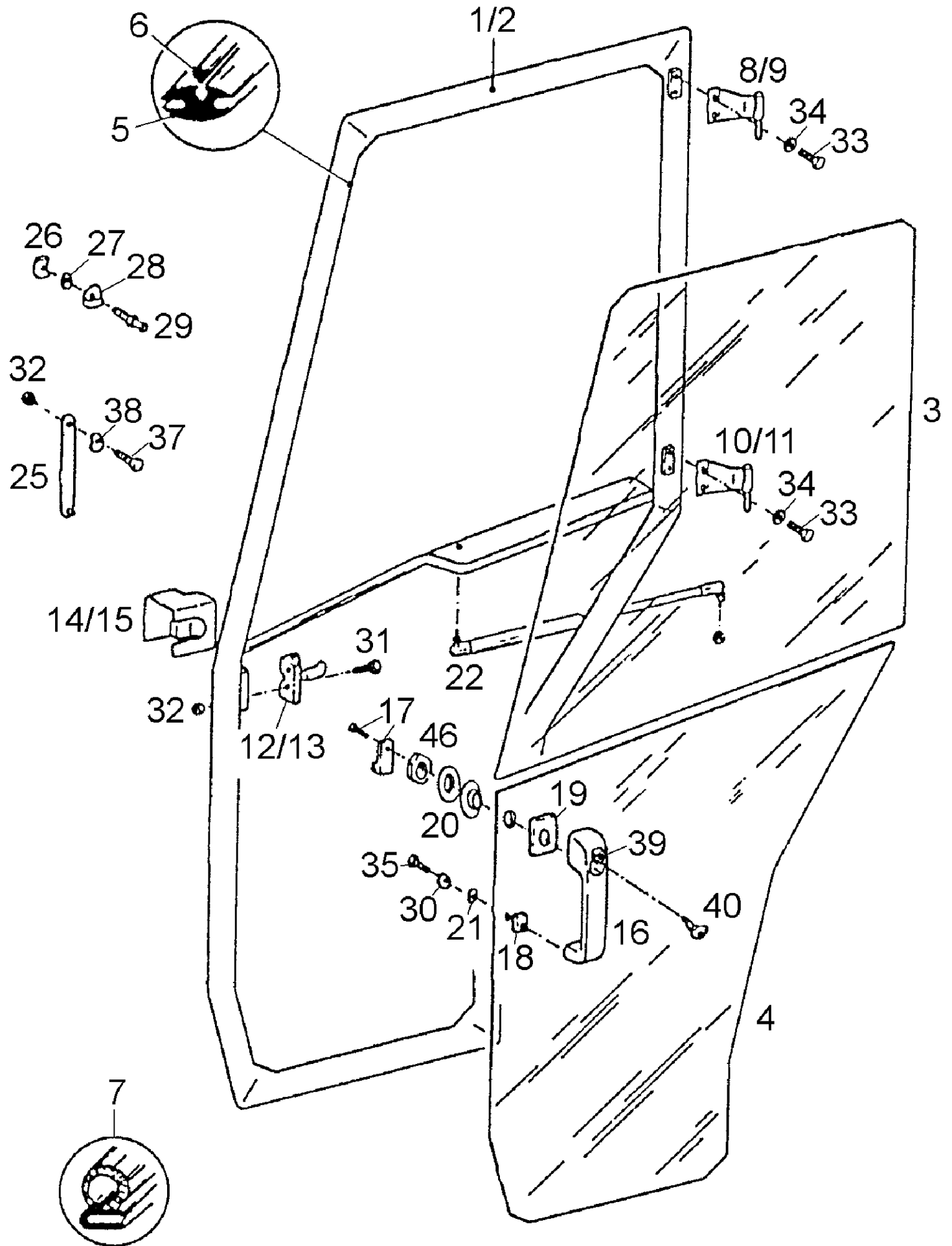
09B-25(01) SECONDARY ROOF C



## 09B-25(01) SECONDARY ROOF C

Ref	Onderdeelnummer	Kwt	Beschrijving
	1-34-568-310	1	KIT, , Besteht aus/Consists of/Compose de/Bestående af/È composto da 1 - 4
1	1-34-568-322	1	DEUR, , Rechts/Right/Droit/Højre/Destra - Siehe nächste Seite(n)/See next page(s)/Voir page(s) suivante(s)/Se næste side (r )/Vedere pagin(a/e) seguent(e/i)
2	1-34-568-321	1	DEUR, , Links/Left/Gauche/Venstre/Sinistro - Siehe nächste Seite(n)/See next page(s)/Voir page(s) suivante(s)/Se næste side (r )/Vedere pagin(a/e) seguent(e/i)
3	1-34-568-303	1	WINDOW, , Rechts/Right/Droit/Højre/Destra - Siehe nächste Seite(n)/See next page(s)/Voir page(s) suivante(s)/Se næste side (r )/Vedere pagin(a/e) seguent(e/i)
4	1-34-568-304	1	WINDOW, , Links/Left/Gauche/Venstre/Sinistro - Siehe nächste Seite(n)/See next page(s)/Voir page(s) suivante(s)/Se næste side (r )/Vedere pagin(a/e) seguent(e/i)
	190003172008	X	DICHTINGSSTUK, , L = 12m

09B-26(01) CAB DOORS

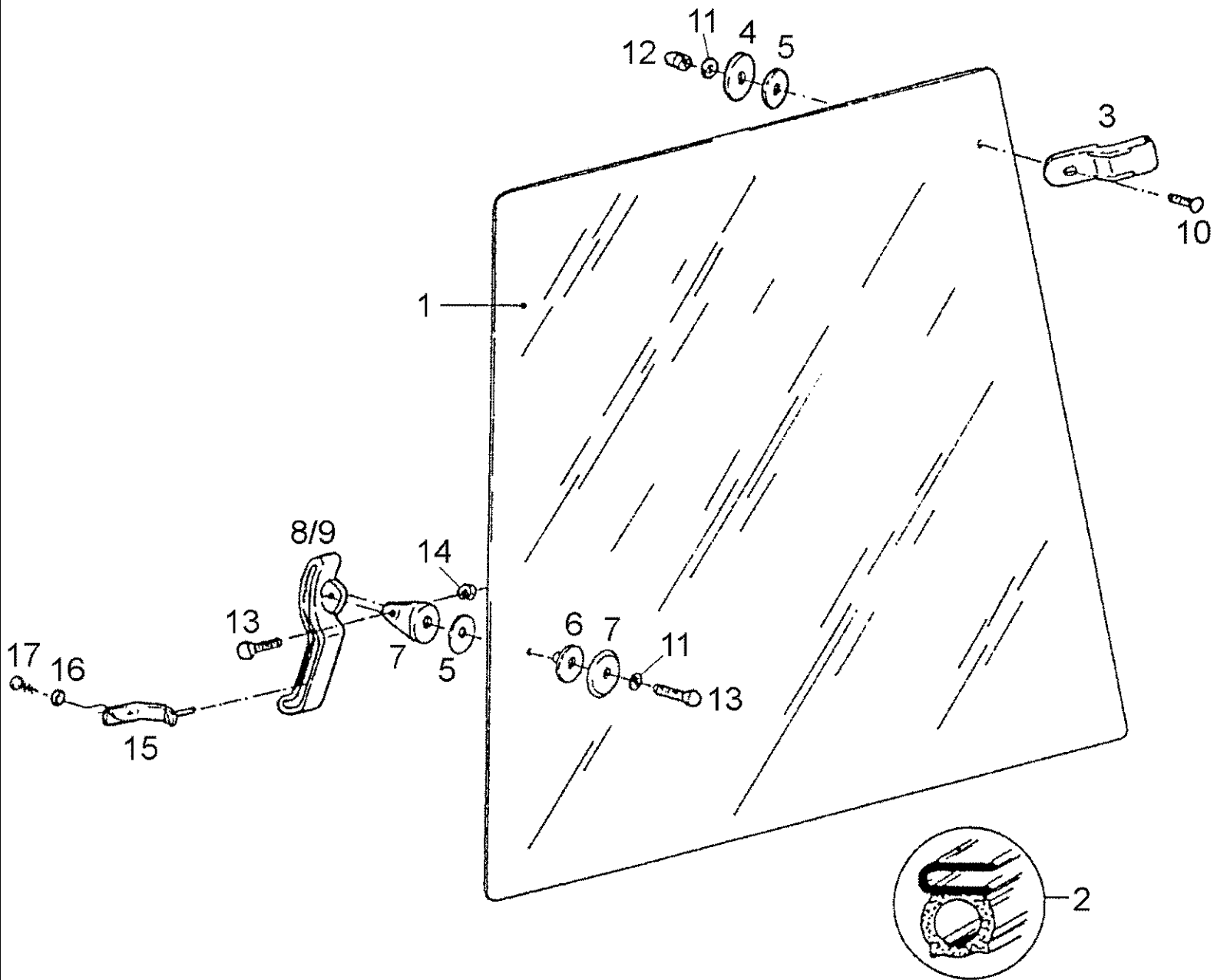




## 09B-26(01) CAB DOORS

Ref	Onderdeelnummer	Kwt	Beschrijving
	1-34-568-321	1	DEUR, , Links/Left/Gauche/Venstre/Sinistro
	1-34-568-322	1	DEUR, , Rechts/Right/Droit/Højre/Destra
1	1-34-703-135	1	RAAM, , Links/Left/Gauche/Venstre/Sinistro
2	1-34-703-134	1	RAAM, , Rechts/Right/Droit/Højre/Destra
3	1-34-771-737	2	WINDOW,
4	1-34-703-118	2	VENSTER,
5	1-34-701-396	X	SEAL, WINDOW, , L = 3500mm
6	1-34-701-200	X	SEAL, WINDOW, , L = 3500mm
7	190003172008	X	DICHTINGSSTUK, , L = 3750mm
8	1-34-703-147	1	SCHARNIER, , Links/Left/Gauche/Venstre/Sinistro
9	1-34-703-148	1	SCHARNIER, , Rechts/Right/Droit/Højre/Destra
10	1-34-703-149	1	SCHARNIER, , Links/Left/Gauche/Venstre/Sinistro
11	1-34-703-150	1	SCHARNIER, , Rechts/Right/Droit/Højre/Destra
12	1-34-702-970	1	PLATE, CATCH, , Links/Left/Gauche/Venstre/Sinistro
13	1-34-703-151	1	LOCK ASSY, , Rechts/Right/Droit/Højre/Destra
14	1-34-702-972	1	COVER, PROTECTIVE, , Links/Left/Gauche/Venstre/Sinistro
15	1-34-702-973	1	COVER, PROTECTIVE, , Rechts/Right/Droit/Højre/Destra
16	1-34-702-974	2	GRIP, , Besteht aus/Consists of/Compose de/Bestående af/È composto da 17, 20, 46
17	1-34-702-975	2	DETENT,
18	1-34-702-976	2	RUBBEREN LAGERKUSSEN,
19	1-34-702-977	2	RUBBEREN LAGERKUSSEN,
20	1-34-702-978	2	WASHER, RUBBER,
21	1-34-702-979	2	WASHER, RUBBER,
22	1-34-701-577	2	SCHOKDEMPER, , L = 500mm
25	1-34-701-438	2	PLAAT, GROOT,
26	1-34-701-613	2	PLAAT, GROOT,
27	1-34-701-025	2	SLUITRING,
28	1-34-701-612	2	BOW,
29	1-34-768-006	2	SLOT,
30	1-34-701-371	2	SCHIJF,
31	15213321	4	BOUT, Hex, M8 x 35, 8.8,
32	190003888451	8	MOER, , VM8-8
33	336199	8	BOUT, Hex, M8 x 12, 8.8, Full Thd, , M8x12-8.8
34	86508568	2	BOUT, Hex, M6 x 16, 8.8,
37	190003825419	2	SCHROEF, , M8x20
38	190003932030	2	SCHIJFVEER, , A8-FST-A3C
39	1-34-703-152	2	LOCK ASSY,
40	135700580706	2	SLEUTEL,
46	1-34-703-114	2	MOER,

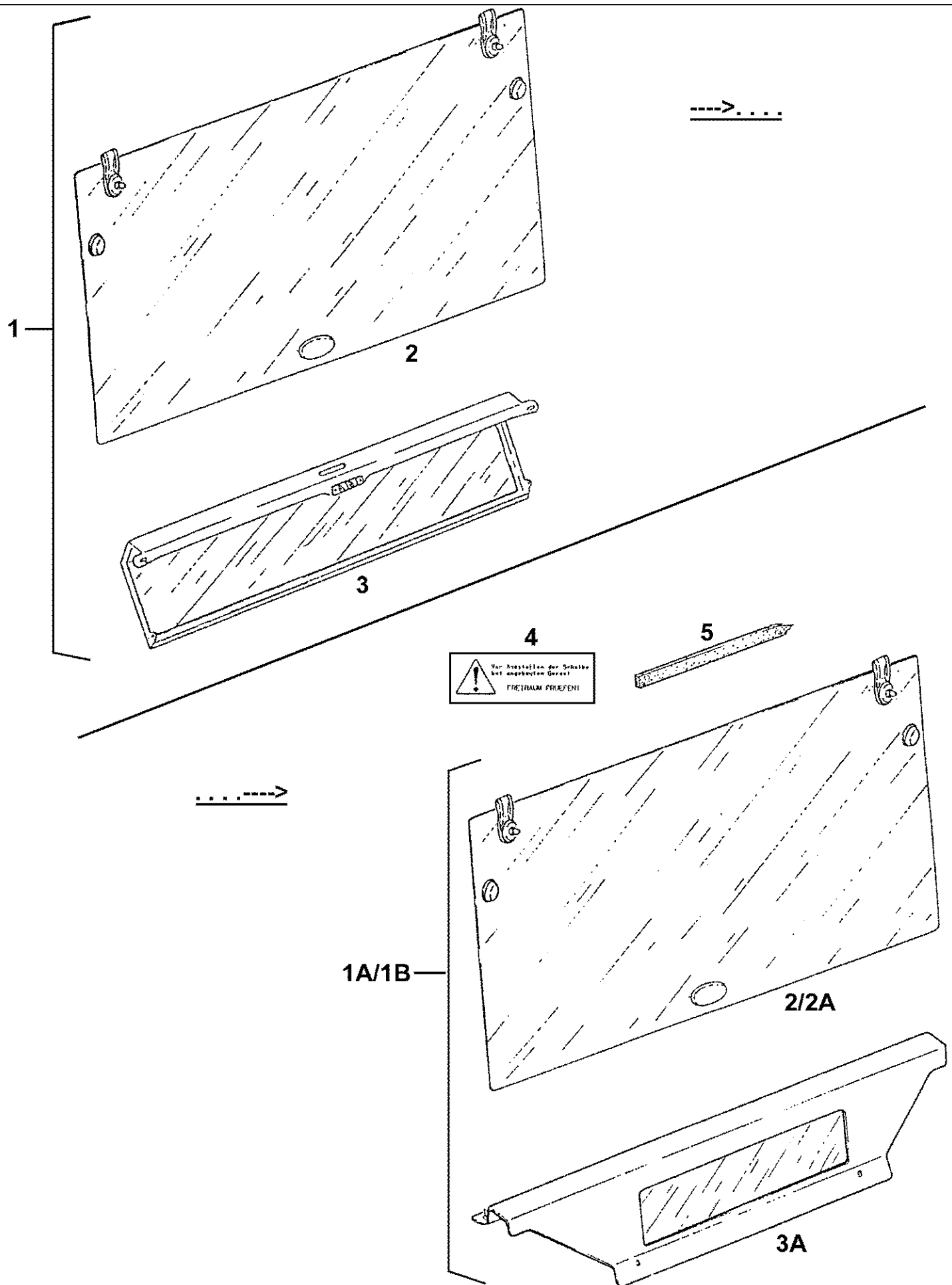
09B-27(01) SIDE PANEL WINDOWS



## 09B-27(01) SIDE PANEL WINDOWS

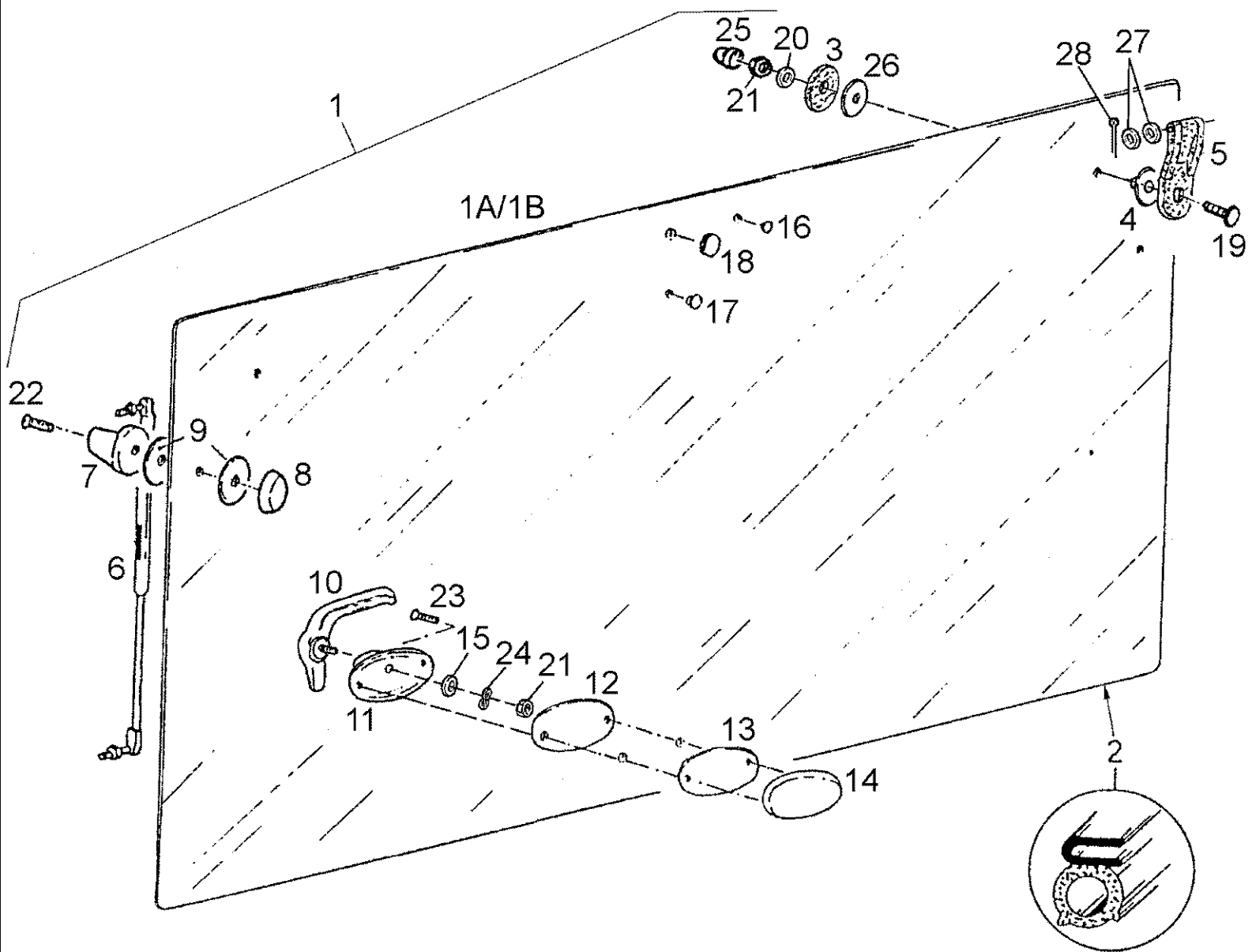
Ref	Onderdeelnummer	Kwt	Beschrijving
	1-34-568-304	1	WINDOW, , Links/Left/Gauche/Venstre/Sinistro
	1-34-568-303	1	WINDOW, , Rechts/Right/Droit/Højre/Destra
1	1-34-703-168	2	VENSTERGLAS,
2	190003172008	2	DICHTINGSSTUK, , L = 2100mm
3	1-34-135-108	4	SCHARNIER,
4	1-34-701-014	6	SLUITRING,
5	1-34-701-016	6	WASHER, RUBBER,
6	1-34-701-015	2	SCHIJF,
7	1-34-135-063	2	STOPAPPARAAT,
8	1-34-135-061	1	HENDEL, , Links/Left/Gauche/Venstre/Sinistro
9	1-34-135-062	1	HENDEL, , Rechts/Right/Droit/Højre/Destra
10	190003834436	4	SCHROEF, , M8x35-MU-A2C
11	190003930261	6	SLUITRING, , A8,4
12	1-34-799-726	4	MOER,
13	43128	4	BOUW, Hex, M8 x 30, 8.8,
14	190003888451	2	MOER, , VM8-8
15	1-34-135-069	2	LAGER,
16	190003936101	4	SLUITRING, , 6,4-140HV-A3C
17	190003844558	4	SCHROEF, , 6,3x16

09B-28(01) REAR PANE C, REAR PLATE ASSY



## 09B-28(01) REAR PANE C, REAR PLATE ASSY

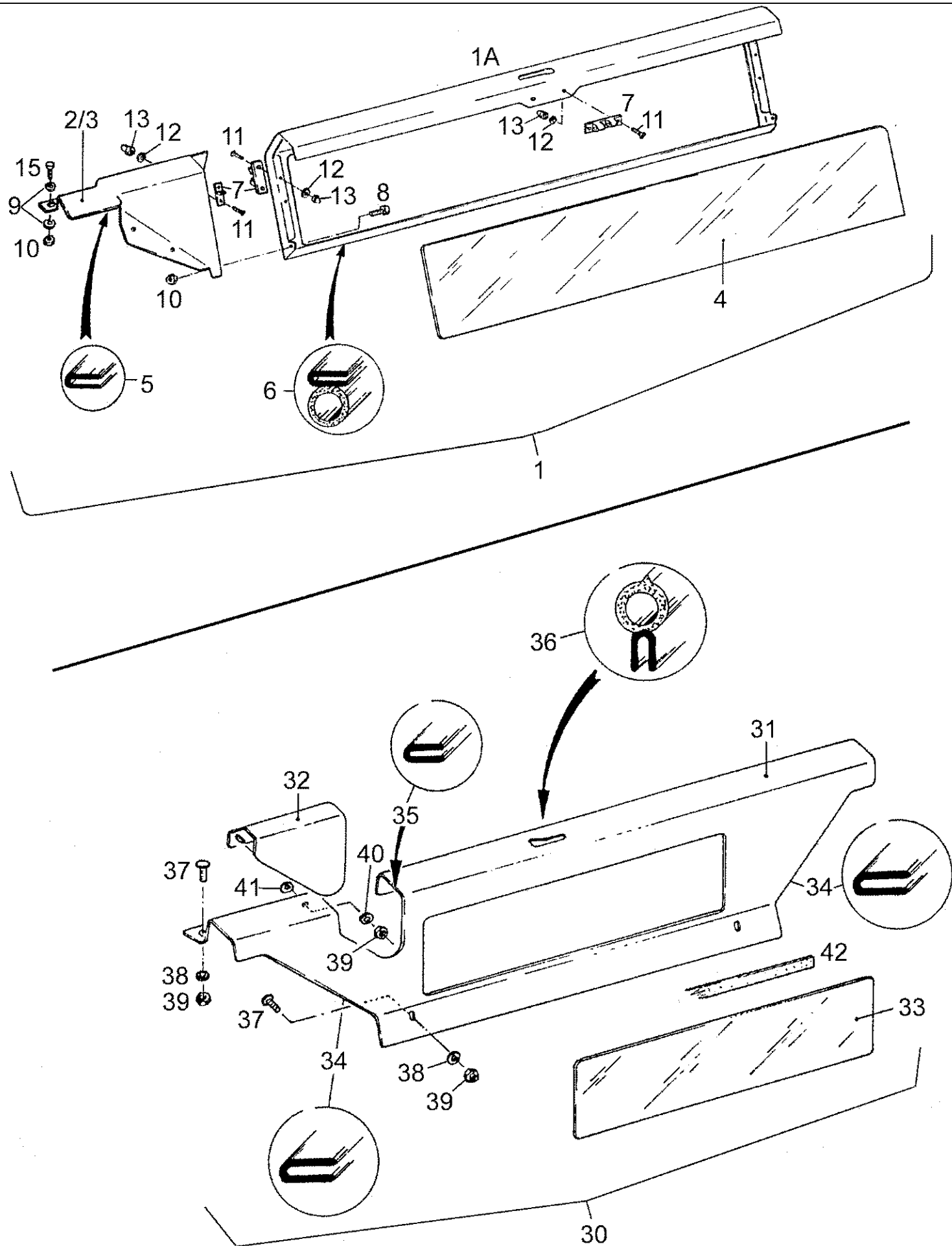
Ref	Onderdeelnummer	Kwt	Beschrijving
1	1-34-568-305	1	WINDOW ASSY, , ---->01365; Besteht aus/Consists of/Compose de/Bestående af/È composto da 2, 3
1A	1-34-568-312	1	WINDOW ASSY, , 01366 ---->03769; Besteht aus/Consists of/Compose de/Bestående af/È composto da 2, 3A
1B	1-34-568-315	1	WINDOW ASSY, , 03770 ---->; Einschließlich/Includes/Avec/Inklusive/Compreso 3A
2	1-34-703-140	1	VENSTER, , Siehe nächste Seite(n)/See next page(s)/Voir page(s) suivante(s)/Se næste side (r )/Vedere pagin(a/e) sequent(e/i)
2A	1-34-568-315	1	WINDOW ASSY, , Siehe nächste Seite(n)/See next page(s)/Voir page(s) suivante(s)/Se næste side (r )/Vedere pagin(a/e) sequent(e/i)
3	1-34-703-146	1	HOUDER, , ---->01365; Siehe nächste Seite(n)/See next page(s)/Voir page(s) suivante(s)/Se næste side (r )/Vedere pagin(a/e) sequent(e/i)
3A	1-34-703-164	1	SHEET, , 01366 ---->; Siehe nächste Seite(n)/See next page(s)/Voir page(s) suivante(s)/Se næste side (r )/Vedere pagin(a/e) sequent(e/i)
4	1-34-577-024	1	PRODUCTAFBEELDING,
5	190003179043	1	DICHTINGSSTROOK, , L = 500mm



## 09B-29(01) REAR PANE, DISASSEMBLED

Ref	Onderdeelnummer	Kwt	Beschrijving
1	1-34-703-140	1	VENSTER, , ---->03769; Besteht aus/Consists of/Compose de/Bestående af/È composto da 1A - 26
1	1-34-568-315	1	WINDOW ASSY, , 03770 ---->; Besteht aus/Consists of/Compose de/Bestående af/È composto da 1B - 26
1A	1-34-703-121	1	VENSTER, , ---->07369
1B	354559A1	1	VENSTER, , 03770 ---->
2	1-34-701-822	1	SEAL, WINDOW, , L = 3600mm / ---->07369
2	1-34-701-746	1	PROFIEL, , L = 3700mm / 03770 ---->
3	1-34-701-014	2	SLUITRING,
4	1-34-701-015	2	SCHIJF,
5	1-34-135-108	2	SCHARNIER,
6	1-99-976-071	2	CYLINDER, GAS,
7	1-34-135-110	2	HOUDER,
8	1-34-135-096	2	LAGERHUIS,
9	1-99-968-016	2	RING, RUBBER,
10	1-34-135-101	1	HANDGREEP,
11	1-34-135-102	1	STEUN,
12	1-34-135-115	1	RING, RUBBER,
13	1-34-135-116	1	RING, RUBBER,
14	1-34-135-103	1	VERBINDINGSBLOK,
15	190003930261	1	SLUITRING, , A8,4
16	1-34-701-405	1	PLUG, , Ø 6mm
17	1-34-702-911	1	PLUG, , Ø 16mm
18	1-34-701-587	1	RUBBER, , Ø 18mm
19	190003834436	2	SCHROEF, , M8x35-MU-A2C
20	190003930042	2	SCHIJF, , 8,4-140HV-A3R
21	190003888451	1	MOER, , VM8-8
22	190003862514	2	SCHROEF, , M8x25-8.8
23	190003862017	2	SCHROEF, Cross Csk Hd, M8 x 20, 8.8, , M8x20-8.8
24	190003932030	1	SCHIJFVEER, , A8-FST-A3C
25	190003179544	2	AFSCHERMKAP, , M8
26	1-34-701-016	2	WASHER, RUBBER,
27	190003930261	4	SLUITRING, , A8,4
28	190003920221		SPLITPEN, , 3,2x18

09B-30(01) REAR PLATE, DISASSEMBLED

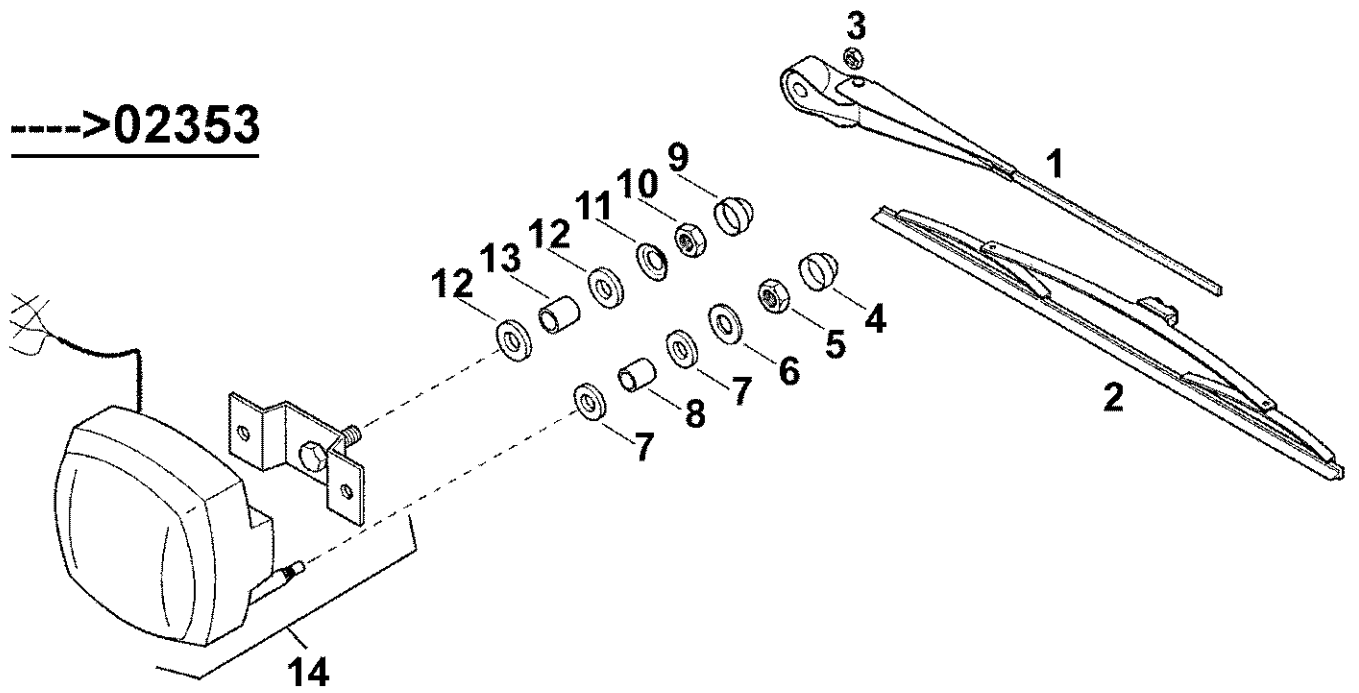




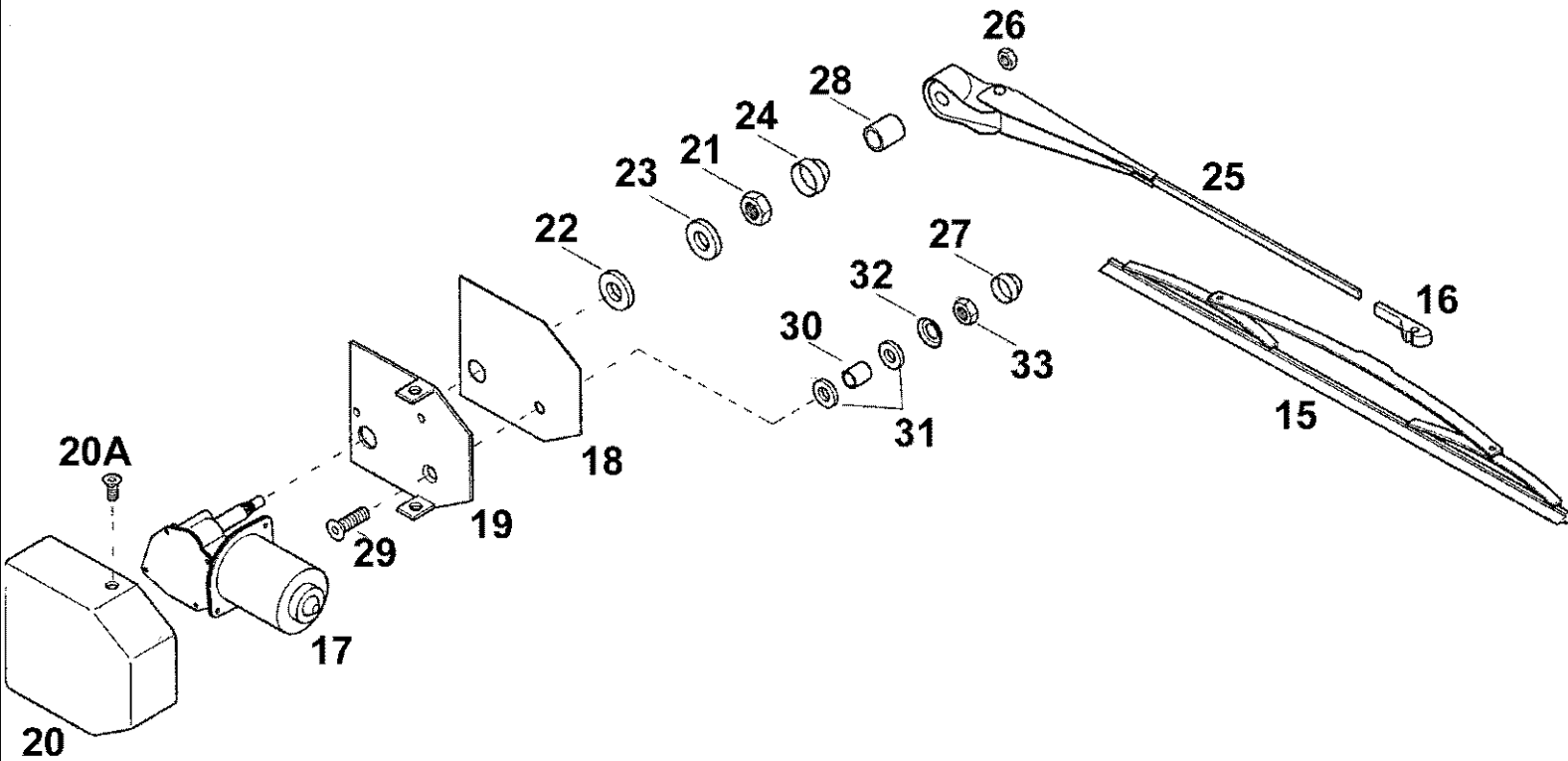
## 09B-30(01) REAR PLATE, DISASSEMBLED

Ref	Onderdeelnummer	Kwt	Beschrijving
1	1-34-703-146	1	HOUDER, , ---->01365; Besteht aus/Consists of/Compose de/Bestående af/È composto da 1A - 15
1A	1-34-703-141	1	SHEET,
2	1-34-703-142	1	SHEET, , Links/Left/Gauche/Venstre/Sinistro
3	1-34-703-143	1	SHEET, , Rechts/Right/Droit/Højre/Destra
4	1-34-703-126	1	VENSTER,
5	1-34-702-889	2	STRIP,PROTECTION, , L = 170mm
6	1-34-702-890	X	SEAL, WINDOW, , L = 650mm
7	1-34-702-891	3	CAP, FILLER,
8	86508568	2	BOUT, Hex, M6 x 16, 8.8,
9	190003930252	4	SLUITRING, , A6,4-140HV-C3
10	15896221	4	MOER, M6, CI 10, , M6-8-A2C, DIN934
11	1-34-703-145	6	SCHROEF, , M3x6
12	1-34-799-790	14	SCHIJF,
13	1-34-799-791	6	MOER, , M3
15	190003834310	2	SCHROEF, , M6x16-MU
30	1-34-703-164	1	SHEET, , 01366 ---->; Besteht aus/Consists of/Compose de/Bestående af/È composto da 31 - 41
31	1-34-703-173	1	SHEET,
32	1-34-703-174	1	COVER,
33	1-34-703-126	1	VENSTER,
34	1-34-702-773	2	STRIP,PROTECTION, , L = 155mm
35	1-34-703-095	1	SEAL, WINDOW, , L = 300mm
36	1-34-701-824	1	WEATHERSTRIP, , L = 150mm
37	190003820002	4	SCHRAUBE, M3x10-4.6
38	190003930252	4	SLUITRING, , A6,4-140HV-C3
39	15896221	5	MOER, M6, CI 10, , M6-8-A2C, DIN934
40	190003932021	1	WASHER, SPRING, , A6-FST-A3C
41	1-34-703-175	1	BUSHING, LARGE,
42	190003179043	1	DICTINGSSTROOK, , L = 500mm

----->02353



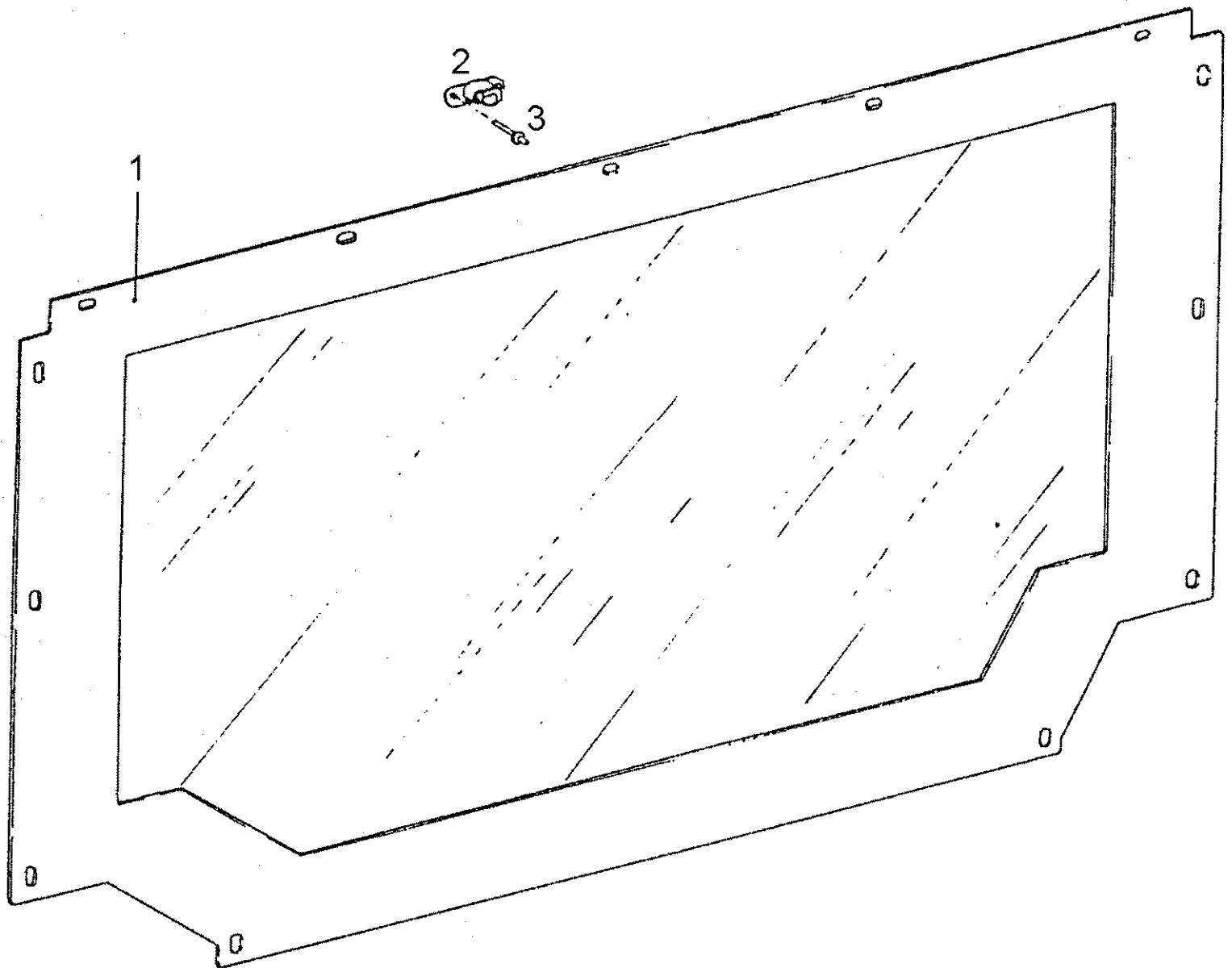
02354----->



## 09B-31(01) REAR WINDOW WIPER

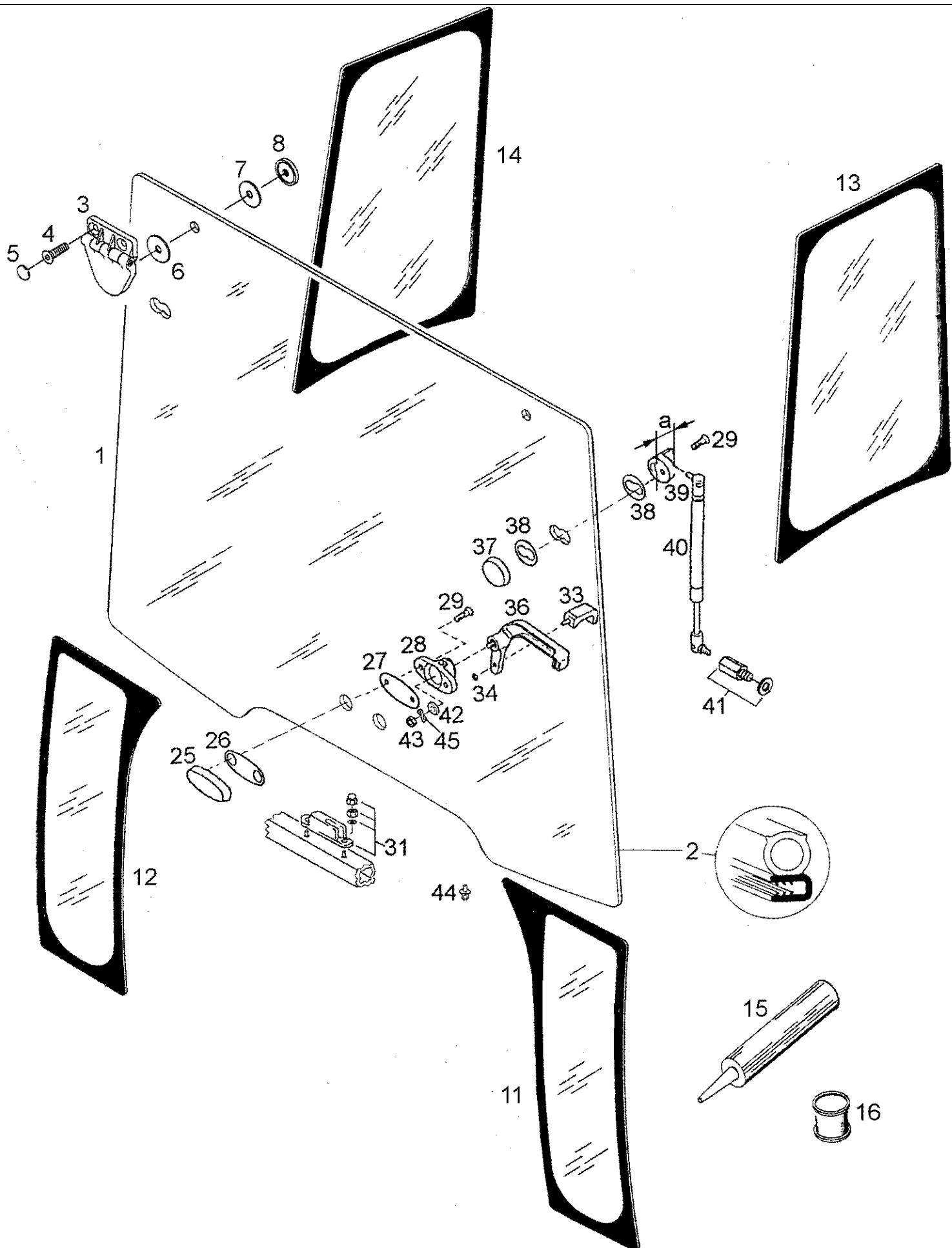
Ref	Onderdeelnummer	Kwt	Beschrijving
1	1-34-174-081	1	WIPER ARM,
2	1-34-174-082	1	BLADE, WIPER,
3	15896221	1	MOER, M6, CI 10, , M6-8-A2C, DIN934
4	1-34-174-073	1	RESERVOIRDOP,
5	1-34-174-077	1	MOER,
6	1-34-174-074	1	SCHIJF,
7	1-99-968-019	2	DICHTRING,
8	1-99-960-020	1	LAGERBUS,
9	190003179544	1	AFSCHERMKAP, , M8
10	43362	1	MOER, M8, CI 10,
11	1-34-135-065	1	SLUITRING,
12	1-34-135-064	2	SLUITRING,
14	REF	-	INSTRUCTION, , Siehe Kapitel 04/See Chapter 04/Voir Chapitre 04/Se kapitel 04/Vedere capitolo 04
13	1-99-960-005	1	LAGERBUS,
15	1-34-174-082	1	BLADE, WIPER,
16	1-34-574-020	1	CLAMP,
17	REF	-	INSTRUCTION, , Siehe Kapitel 04/See Chapter 04/Voir Chapitre 04/Se kapitel 04/Vedere capitolo 04
18	1-34-535-003	1	RUBBEREN LAGERKUSSEN,
19	1-34-535-004	1	PLAAT,
20	1-34-535-001	1	COVER, PROTECTIVE,
20A	190003825309	2	SCHROEF, , M6x10-4.8-A2C
21	1-34-174-016	1	MOER, , M16x1
22	1-34-674-016	1	SLUITRING,
23	1-34-674-015	1	SLUITRING,
24	1-34-674-017	1	BESCHERMDEKSEL,
25	1-34-674-010	1	ARM,VAN RUITENWISSER,
26	43362	1	MOER, M8, CI 10,
27	190003179544	1	AFSCHERMKAP, , M8
28	1-99-960-020	1	LAGERBUS,
29	190003825429	1	SCHROEF, , M8x25-4.8-A2C
30	1-99-960-005	1	LAGERBUS,
31	1-34-135-064	2	SLUITRING,
32	1-34-135-065	1	SLUITRING,
33	43362	1	MOER, M8, CI 10,

09B-32(01) REAR CANVAS COVER



## 09B-32(01) REAR CANVAS COVER

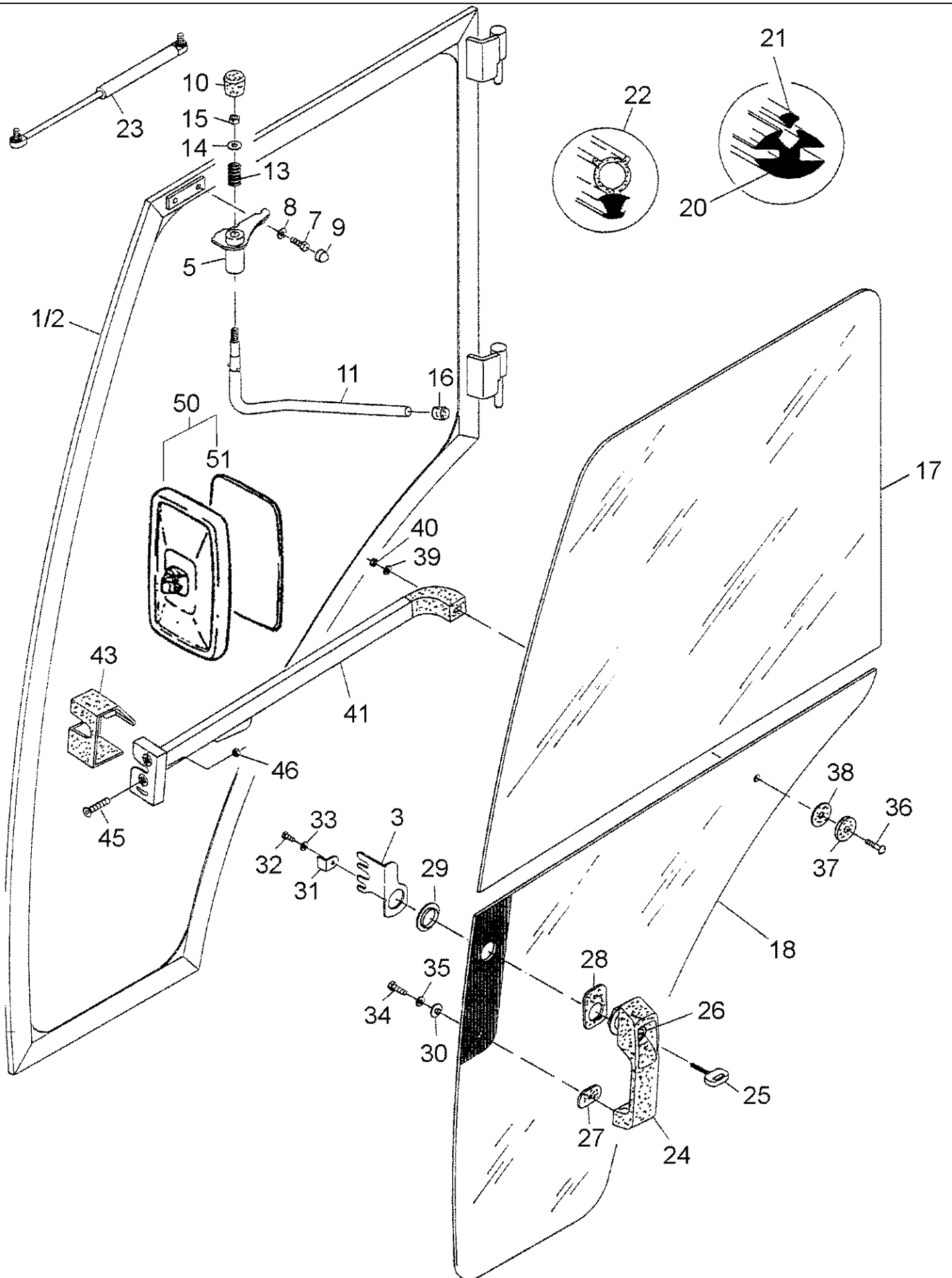
Ref	Onderdeelnummer	Kwt	Beschrijving
	1-34-568-007	1	COVER, SKIRT, , Besteht aus/Consists of/Compose de/Bestående af/È composto da 1 - 3
1	1-34-768-007	1	COVER, SKIRT,
2	1-34-701-192	13	HENDEL,
3	1-34-799-792	26	KLINKNAGEL,



## 09B-33(01) PLANTA-WINDSHIELD AND SIDE GLASS CAB NARROW

Ref	Onderdeelnummer	Kwt	Beschrijving
	1-34-571-310	1	WINDSCREEN, , Besteht aus/Consists of/Composé de/Bestående af/È composto da 1 - 8
1	340773A1	1	WINDSCREEN,
2	1-34-701-746	1	PROFIEL,
3	340774A1	2	SCHARNIER,
4	190003862016	4	SCHROEF, , M8x16-10.9
5	340776A1	4	RESERVOIRDOP,
6	1-34-701-015	2	SCHIJF,
7	1-34-701-016	2	WASHER, RUBBER,
8	340777A1	2	WASHER, RUBBER,
11	1-34-568-334	1	VENSTER, FRONTSCHEIBE, Links/Left/Gauche/Venstre/Sinistro
12	1-34-568-335	1	VENSTER, FRONTSCHEIBE, Rechts/Right/Droit/Højre/Destra
13	1-34-568-336	1	VENSTER, , Links/Left/Gauche/Venstre/Sinistro
14	1-34-568-337	1	VENSTER, , Rechts/Right/Droit/Højre/Destra
15	340787A1	1	DICHTINGSMATERIAAL,
16	340788A1	1	FLUID, CLEANER, , 1/8 l
25	1-34-135-103	1	VERBINDINGSBLOK,
26	1-34-135-116	1	RING, RUBBER,
27	1-34-135-115	1	RING, RUBBER,
28	1-34-135-102	1	STEUN,
29	190003862514	2/2	SCHROEF, , M8x25-8.8
30	1-34-571-204	1	HANDGREEP,
31	REF	-	INSTRUCTION, , Siehe Seite(n) vorne/See Page(s) before/Voir Page(s) avant/Se side (r ) forrest/Vedere pagin(a/e) precedent(e/i)
33	1-34-571-203	1	BAIL,
34	15896221	1	MOER, M6, CI 10, , M6-8-A2C, DIN934
37	1-34-135-096	2	LAGERHUIS,
38	1-99-968-016	4	RING, RUBBER,
39	1-34-135-097	2	LAGER, , a = 40mm; Wahlweise/Optional/En Option/Efter valg/A scelta
39	1-34-135-110	2	HOUDER, , a = 46mm
40	1-99-976-066	2	GAS STRUT, , L = 485mm
41	REF	-	INSTRUCTION, , Siehe Seite(n) vorne/See Page(s) before/Voir Page(s) avant/Se side (r ) forrest/Vedere pagin(a/e) precedent(e/i)
42	190003930261	1	SLUITRING, , A8,4
43	190003888451	1	MOER, , VM8-8
44	190003179530	2	KLINKNAGEL, , 5x7,5-POM-SW

09B-34(01) PLANTA-CAB DOORS





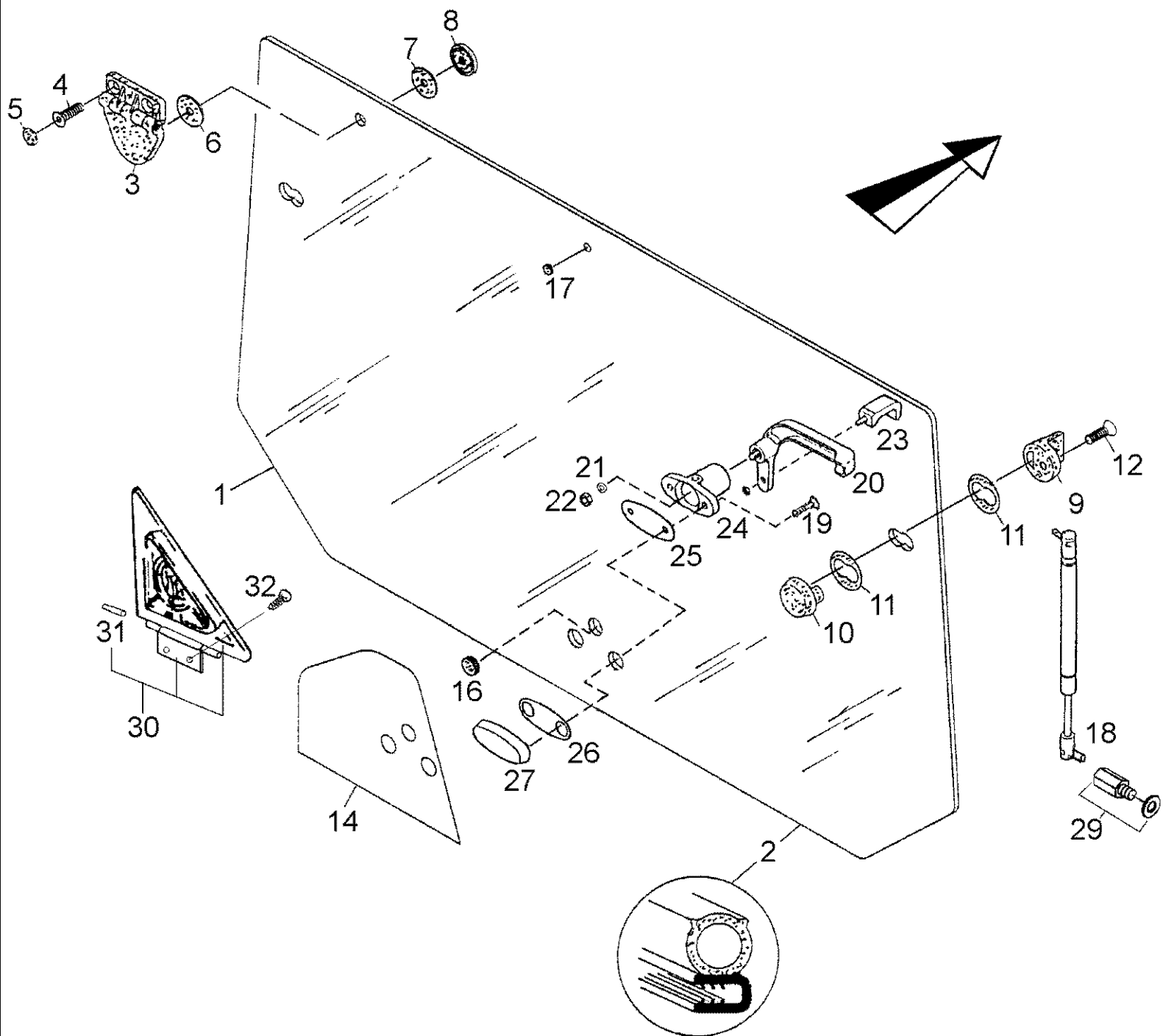
## 09B-34(01) PLANTA-CAB DOORS

Ref	Onderdeelnummer	Kwt	Beschrijving
	1-34-568-327	1	CABINEDEUR, LINKS, , Besteht aus/Consists of/Compose de/Bestående af/È composto da 1, 3 - 46
	1-34-568-326	1	CABINEDEUR, RECHTS, , Besteht aus/Consists of/Compose de/Bestående af/È composto da 2 - 46
1	340789A1	1	DEUR, , Links/Left/Gauche/Venstre/Sinistro
2	340790A1	1	DEUR, , Rechts/Right/Droit/Højre/Destra
3	340791A1	1	KLINK, , Links/Left/Gauche/Venstre/Sinistro
3	340792A1	1	KLINK, , Rechts/Right/Droit/Højre/Destra
5	1-34-577-351	1	STEUNBEUGEL, , Links/Left/Gauche/Venstre/Sinistro
5	1-34-577-352	1	STEUNBEUGEL, , Rechts/Right/Droit/Højre/Destra
7	336199	4	BOUT, Hex, M8 x 12, 8.8, Full Thd, , M8x12-8.8
8	190003930261	4	SLUITRING, , A8,4
9	190003179544	6	AFSCHERMKAP, , M8
10	340795A1	2	RESERVOIRDOP,
11	1-34-577-353	1	STANG, STANGE, Links/Left/Gauche/Venstre/Sinistro
11	1-34-577-354	1	STANG, STANGE, Rechts/Right/Droit/Højre/Destra
13	1-34-701-768	2	VEER,
14	1-34-577-350	2	CILINDERPAKKING. KOP, SCHEIBE
15	190003888451	2	MOER, , VM8-8
16	340799A1	2	RESERVOIRDOP,
17	1-34-568-330	2	GLAS,
18	1-34-568-332	1	GLAS, , Lower, Links/Left/Gauche/Venstre/Sinistro
18	1-34-568-331	1	GLAS, , Lower, Rechts/Right/Droit/Højre/Destra
20	1-34-701-396	X	SEAL, WINDOW,
21	190003129454	X	PROFIEL,
22	340825A1	8M	DICHTINGSRING,
23	340826A1	2	GAS STRUT,
24	1-34-702-974	2	GRIP, , Einschließlich/Includes/Avec/Inklusive/Compreso 25, 26
25	135700580706	2	SLEUTEL,
26	1-34-703-152	2	LOCK ASSY,
27	1-34-702-976	2	RUBBEREN LAGERKUSSEN,
28	1-34-702-977	2	RUBBEREN LAGERKUSSEN,
29	1-34-702-978	2	WASHER, RUBBER,
30	1-34-702-979	2	WASHER, RUBBER,
31	340828A1	2	KLINK,
32	86977726	2	BOUT, Hex, M6 x 12, 8.8,
33	190003932021	2	WASHER, SPRING, , A6-FST-A3C
34	120100	2	BOUT, Hex, M6 x 20, 8.8,
35	340830A1	2	SLUITRING, , 6x20x1,5
36	190003830006	2	SCHROEF, , M6x35-A2C
37	1-34-701-014	2	SLUITRING,
38	1-34-701-015	2	SCHIJF,
39	190003930251	2	SCHIJF, , A6,4-140HV-A3C

## 09B-34(01) PLANTA-CAB DOORS

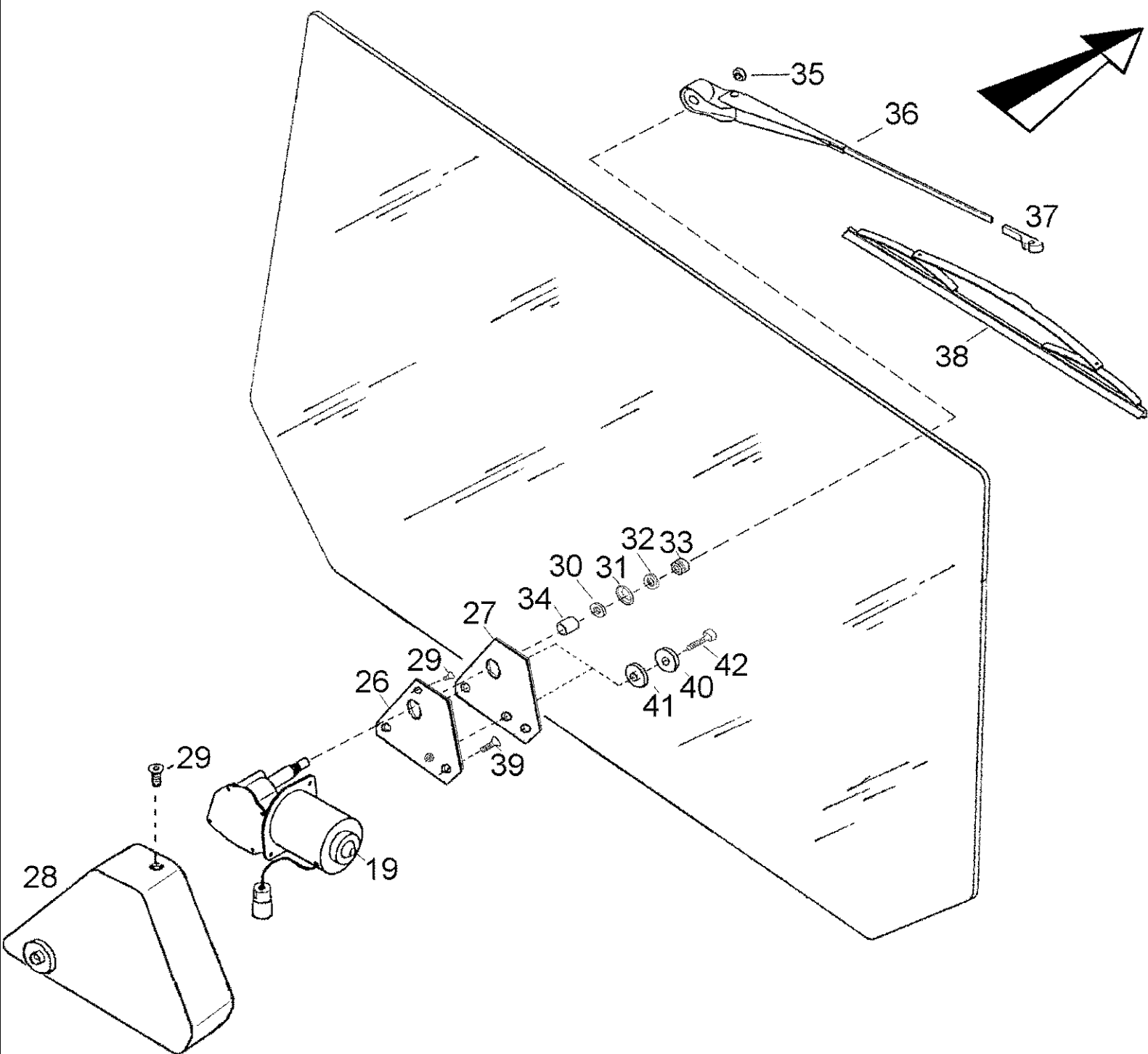
Ref	Onderdeelnummer	Kwt	Beschrijving
40	15896221	2	MOER, M6, CI 10, , M6-8-A2C, DIN934
41	340832A1	1	LOCK ASSY, , Links/Left/Gauche/Venstre/Sinistro
41	340833A1	1	LOCK ASSY, , Rechts/Right/Droit/Højre/Destra
43	340834A1	1	COVER, PROTECTIVE, , Links/Left/Gauche/Venstre/Sinistro
43	340835A1	1	COVER, PROTECTIVE, , Rechts/Right/Droit/Højre/Destra
45	340836A1	4	SCHROEF,
46	190003888451	4	MOER, , VM8-8
50	1-34-577-215	2	MIRROR ASSY., , Einschließlich/Includes/Avec/Inklusive/Compreso 51
51	299652A1	1	ACHTERUITKIJKSPIEGEL,

09B-35(01) PLANTA-REAR WINDOW



## 09B-35(01) PLANTA-REAR WINDOW

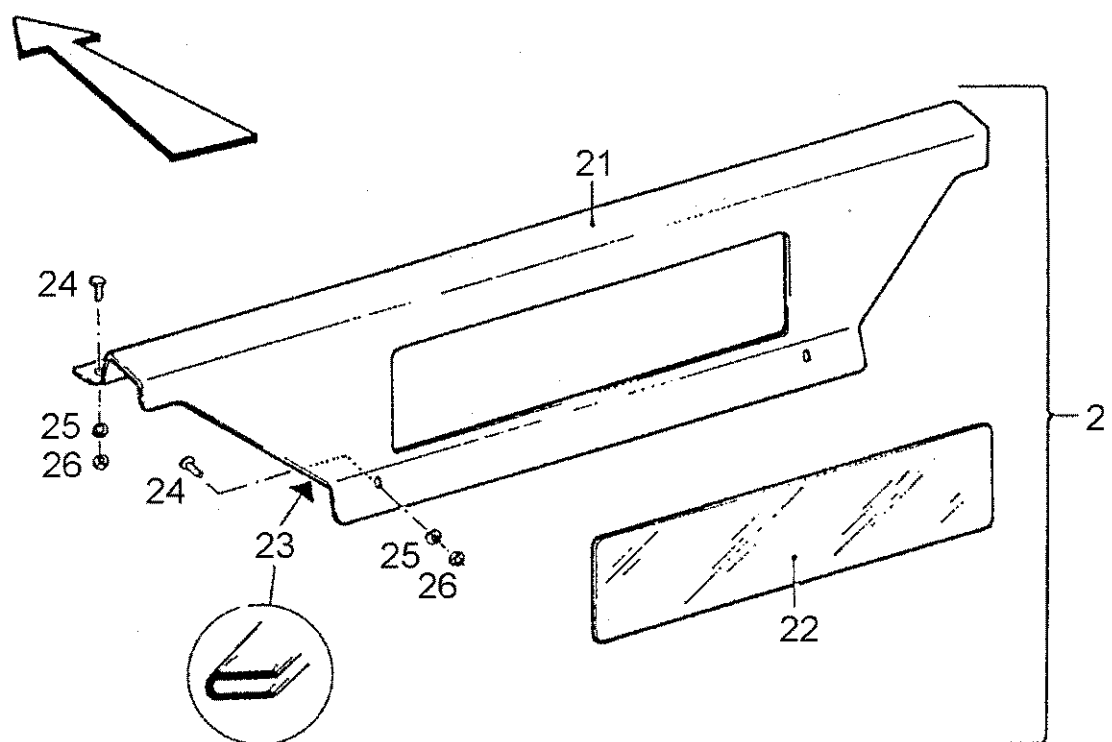
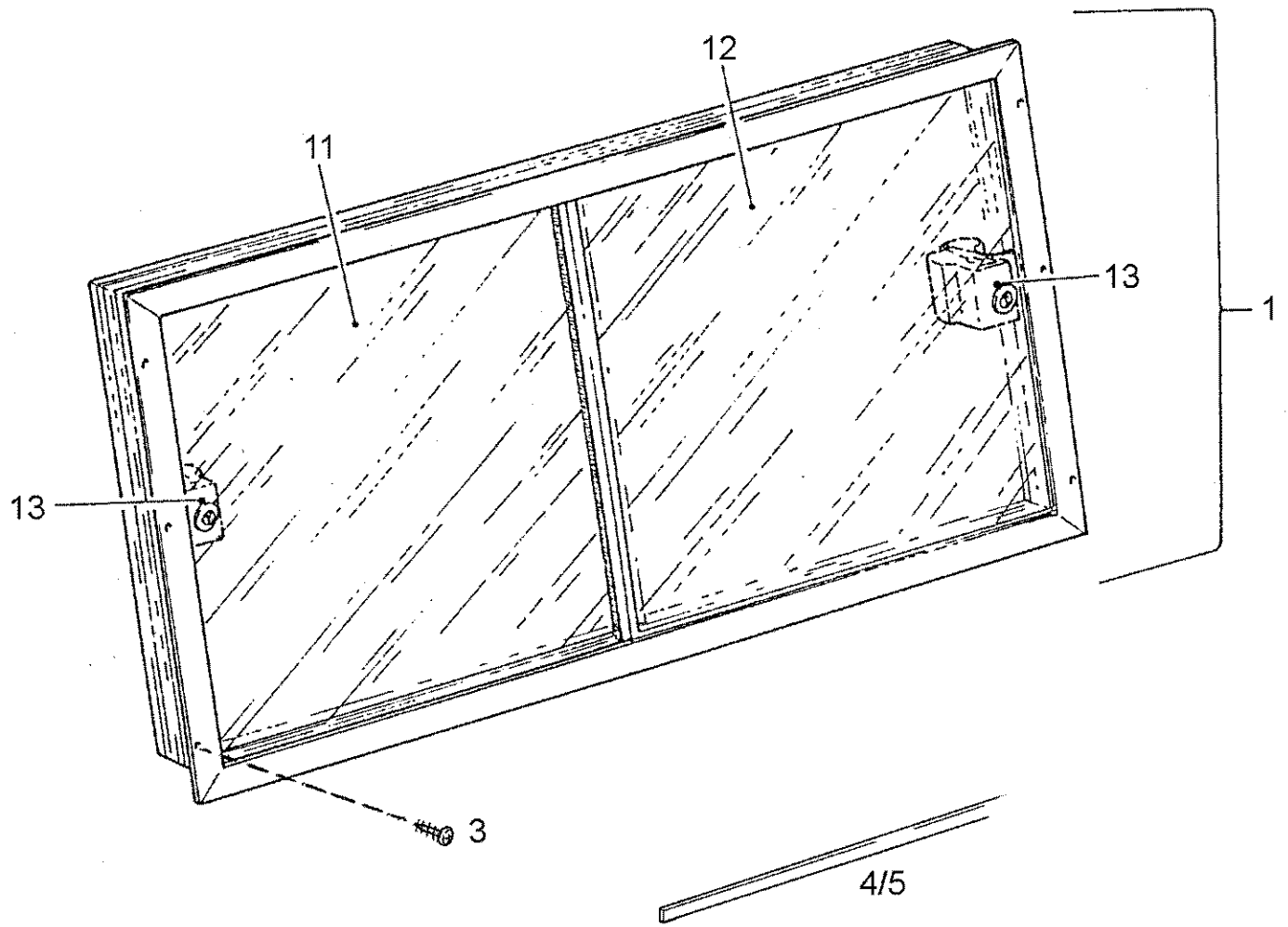
Ref	Onderdeelnummer	Kwt	Beschrijving
	1-34-568-328	1	VENSTER, , Besteht aus/Consists of/Compose de/Bestående af/È composto da 1 - 12, 17
	1-34-568-329	1	VENSTER, , Für Scheibenwischer/For Windshield Wiper/Pour Essuie Glace/Til Rudevisker/Per Tergicristalli - Besteht aus/Consists of/Compose de/Bestående af/È composto da 1 - 14
1	1-34-568-333	1	GLAS,
2	1-34-701-746	X	PROFIEL, , L = 4m
3	340774A1	2	SCHARNIER,
4	190003862016	4	SCHROEF, , M8x16-10.9
5	340776A1	4	RESERVOIRDOP,
6	1-34-701-015	4	SCHIJF,
7	1-34-701-016	4	WASHER, RUBBER,
8	340777A1	4	WASHER, RUBBER,
9	1-34-135-097	2	LAGER, , a = 40mm
9	1-34-135-110	2	HOUDER, , a = 46mm
10	1-34-135-096	2	LAGERHUIS,
11	1-99-968-016	2	RING, RUBBER,
12	190003862514	2	SCHROEF, , M8x25-8.8
14	1-34-677-078	1	COVER, PROTECTIVE,
16	1-34-701-587	1	RUBBER, , Ø 18mm
17	1-34-701-405	1	PLUG, , Ø 6mm
18	1-99-976-066	2	GAS STRUT, , L = 485mm
18	1-34-471-005	2	CYLINDER, GAS, , L = 446mm
19	190003862017	2	SCHROEF, Cross Csk Hd, M8 x 20, 8.8, , M8x20-8.8
20	1-34-571-204	1	HANDGREEP,
21	190003930261	1	SLUITRING, , A8,4
22	190003888451	1	MOER, , VM8-8
23	1-34-571-203	1	BAIL,
24	1-34-135-099	1	LAGERHUIS,
25	1-34-135-115	1	RING, RUBBER,
26	1-34-135-116	1	RING, RUBBER,
27	1-34-135-103	1	VERBINDINGSBLOK,
28	15896221	1	MOER, M6, CI 10, , M6-8-A2C, DIN934
29	REF	-	INSTRUCTION, , Siehe Seite(n) vorne/See Page(s) before/Voir Page/s) avant/Se side (r ) forrest/Vedere pagin(a/e) precedent(e/i)
30	1-34-635-015	2	COVER,
30	1-34-635-040	2	DEKSEL,
31	190003909597	4	PEN, , 4x26
32	190003840086	4	ZELFTAPPENDE SCHROEF, Cross Pan Hd, M4.3 x 13, , BL.St.4,2-C-H-A3R



## 09B-36(01) PLANTA-REAR WINDOW WIPER

Ref	Onderdeelnummer	Kwt	Beschrijving
19	REF	-	INSTRUCTION, , Siehe Kapitel 04/See Chapter 04/Voir Chapitre 04/Se kapitel 04/Vedere capitolo 04
26	1-34-635-023	1	PLATE ASSY.,
27	1-34-635-021	1	RUBBEREN LAGERKUSSEN,
28	1-34-635-030	1	DEKSEL,
29	190003825309	2	SCHROEF, , M6x10-4.8-A2C
30	1-34-674-016	1	SLUITRING,
31	1-34-674-015	1	SLUITRING,
32	1-34-174-016	1	MOER, , M16x1
33	1-34-674-017	1	BESCHERMDEKSEL,
34	1-99-960-020	1	LAGERBUS,
35	43362	1	MOER, M8, CI 10,
36	1-34-674-010	1	ARM,VAN RUITENWISSER,
37	1-34-574-020	1	CLAMP,
38	1-34-674-011	1	RUITENWISSERBLAD,
39	190003825420	1	SCHROEF, , M8x20
40	1-34-635-011	2	SLUITRING,
41	1-34-135-066	1	SLUITRING,
42	190003860272	1	SCHROEF, , M8x30-8.8

09B-37(01) REAR WINDOW + REAR PLATE

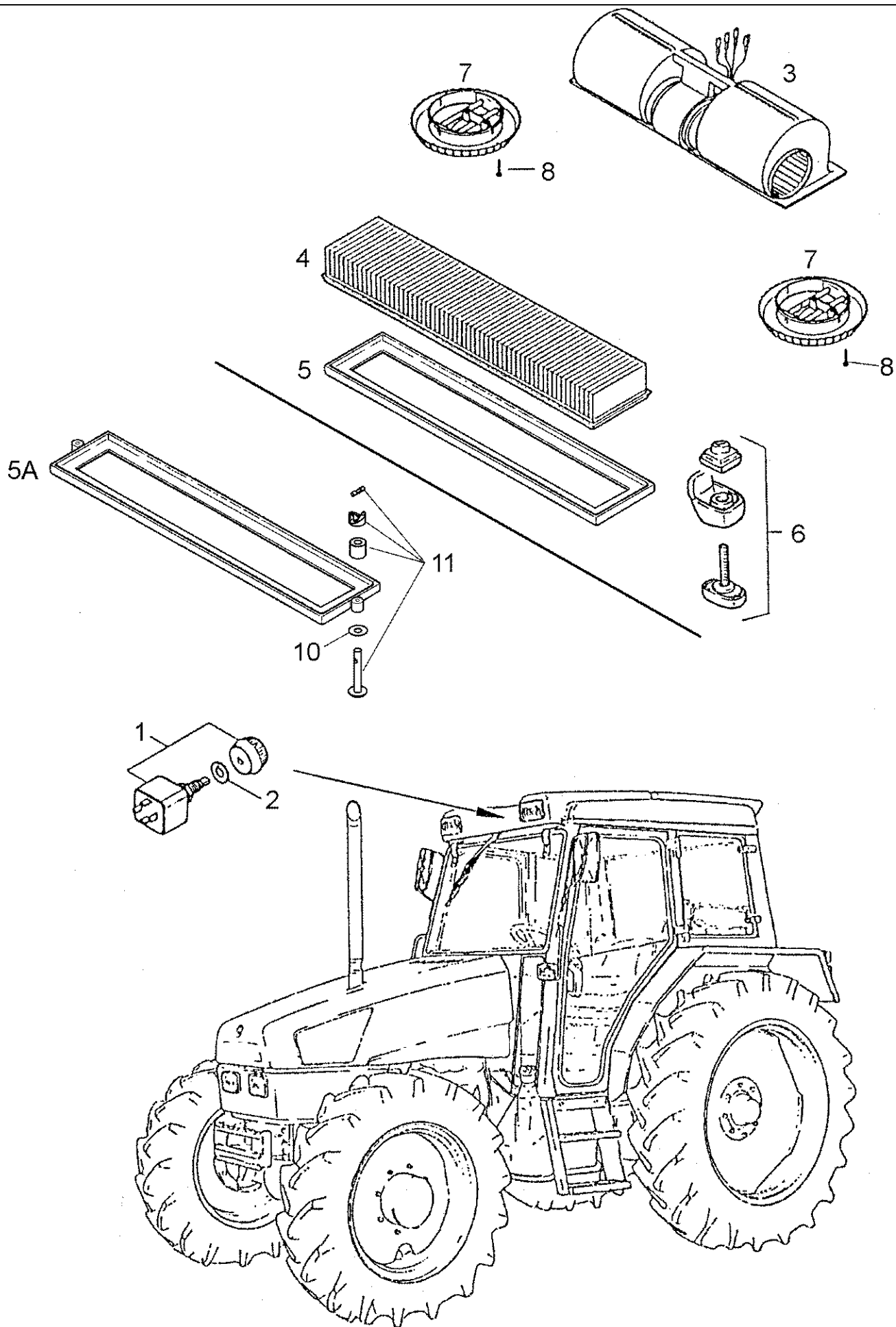


## 09B-37(01) REAR WINDOW + REAR PLATE

Ref	Onderdeelnummer	Kwt	Beschrijving
1	1-34-571-400	1	WINDOW ASSY, , Besteht aus/Consists of/Compose de/Bestående af/È composto da 11 - 13
2	1-34-571-401	1	SHEET, , Besteht aus/Consists of/Compose de/Bestående af/È composto da 21 - 26
3	190003840051	6	SCHROEF, , 4,8x32
4	190003179043	X	DICHTINGSSTROOK, , L = 500mm
5	190003129481	X	DICHTING, RUBBER, , 15x15, K-8389; L = 1500mm
11	1-34-771-210	1	VENSTER, , Innen/Inner/Interieure/Indenfor/Interno
12	1-34-771-211	1	VENSTER, , Aussen/Outer/Extérieur/Udvendig/Esterno
13	1-34-771-209	2	CAP, FILLER,
21	NSS	-	NIET ALLEEN VERKRIJGBAAR,
22	1-34-703-126	1	VENSTER,
23	1-34-701-311	2	STRIP,PROTECTION,
24	190003830002	4	SCHROEF, , M6x20-MU-A2C
25	190003930251	4	SCHIJF, , A6,4-140HV-A3C
26	190003888608	4	MOER, , VM6-8



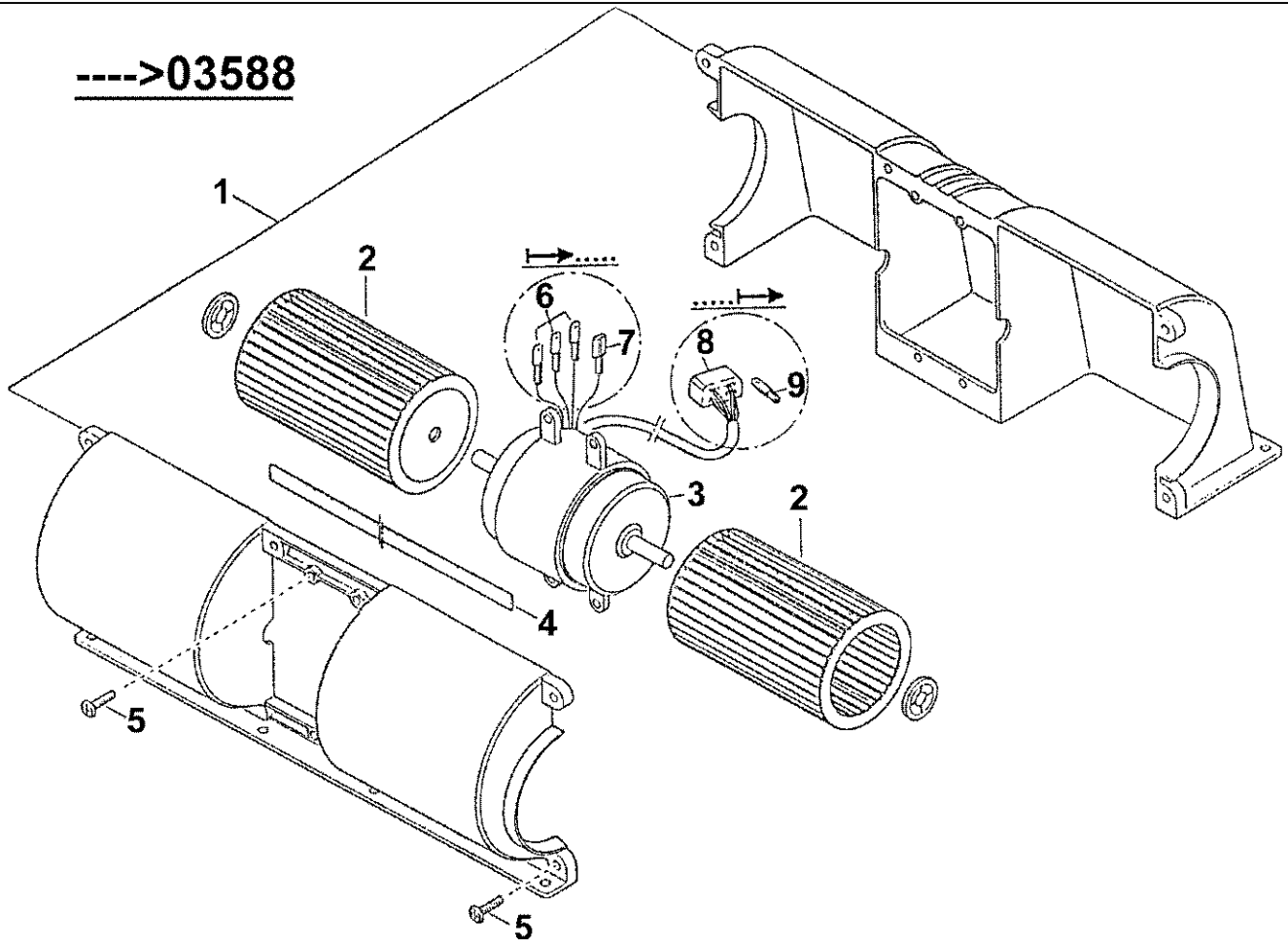
09B-38(01) ROOF VENTILATION, AIR FILTER



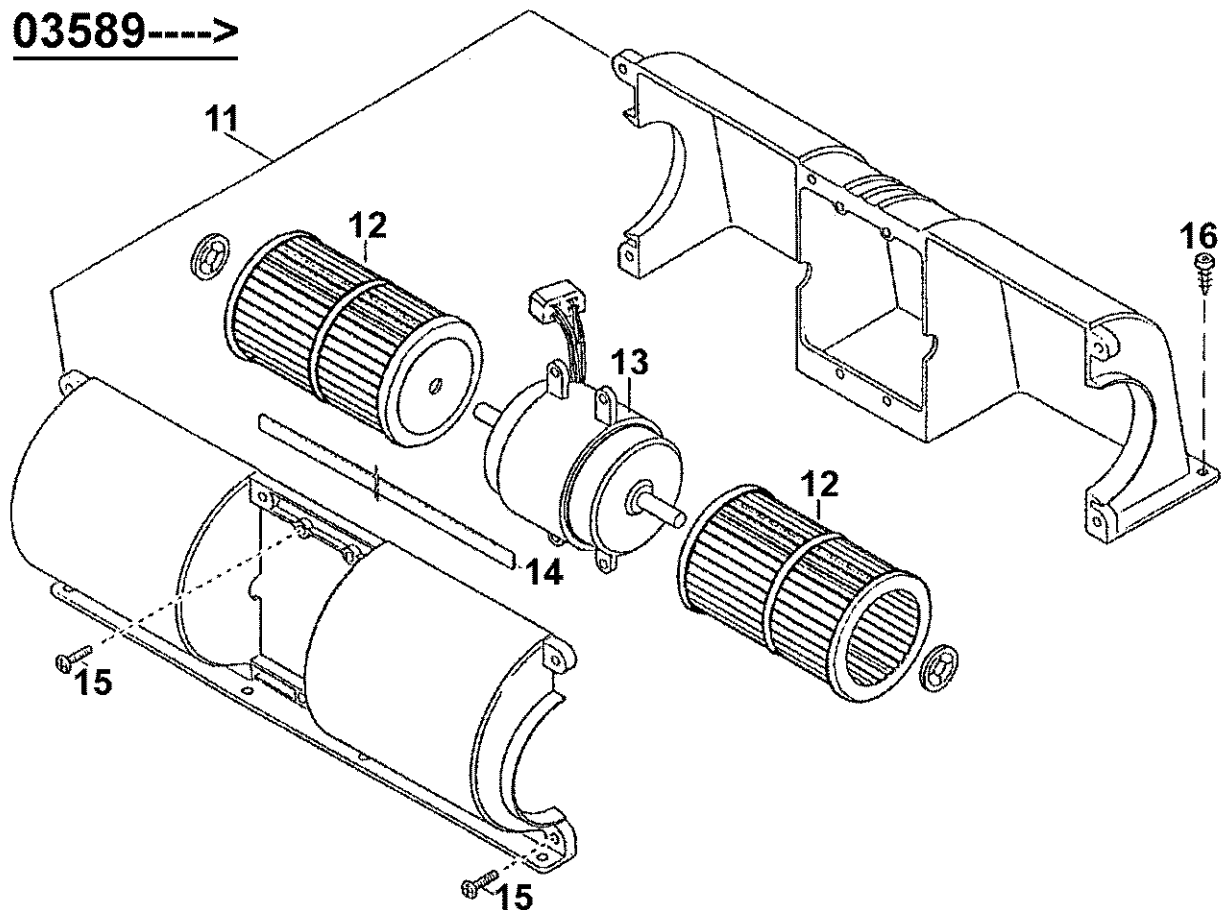
## 09B-38(01) ROOF VENTILATION, AIR FILTER

Ref	Onderdeelnummer	Kwt	Beschrijving
1	1-40-158-006	1	SCHAKELAAR MET HEFBOOM,
2	190003930282	1	SCHIJF, , A13
3	1-34-684-474	1	BLAZER, , Siehe nächste Seite(n)/See next page(s)/Voir page(s) suivante(s)/Se næste side (r )/Vedere pagin(a/e) seguent(e/i)
4	1-34-884-020	1	FILTER, CABINE,
5	1-34-519-384	1	RAAM, , ---->. . . .
5A	1-34-519-580	1	RAAM, , . . . .---->; Einschließlich/Includes/Avec/Inklusive/Compreso 10, 11
6	1-34-519-373	2	DRUKKNOP,
7	1-34-584-021	2	SPROEIER,
8	190003843041	8	SCHROEF, , ST3,5x13-C-H-A3C
10	1-34-684-209	2	SLUITRING,
11	1-34-519-583	2	SET,

**---->03588**



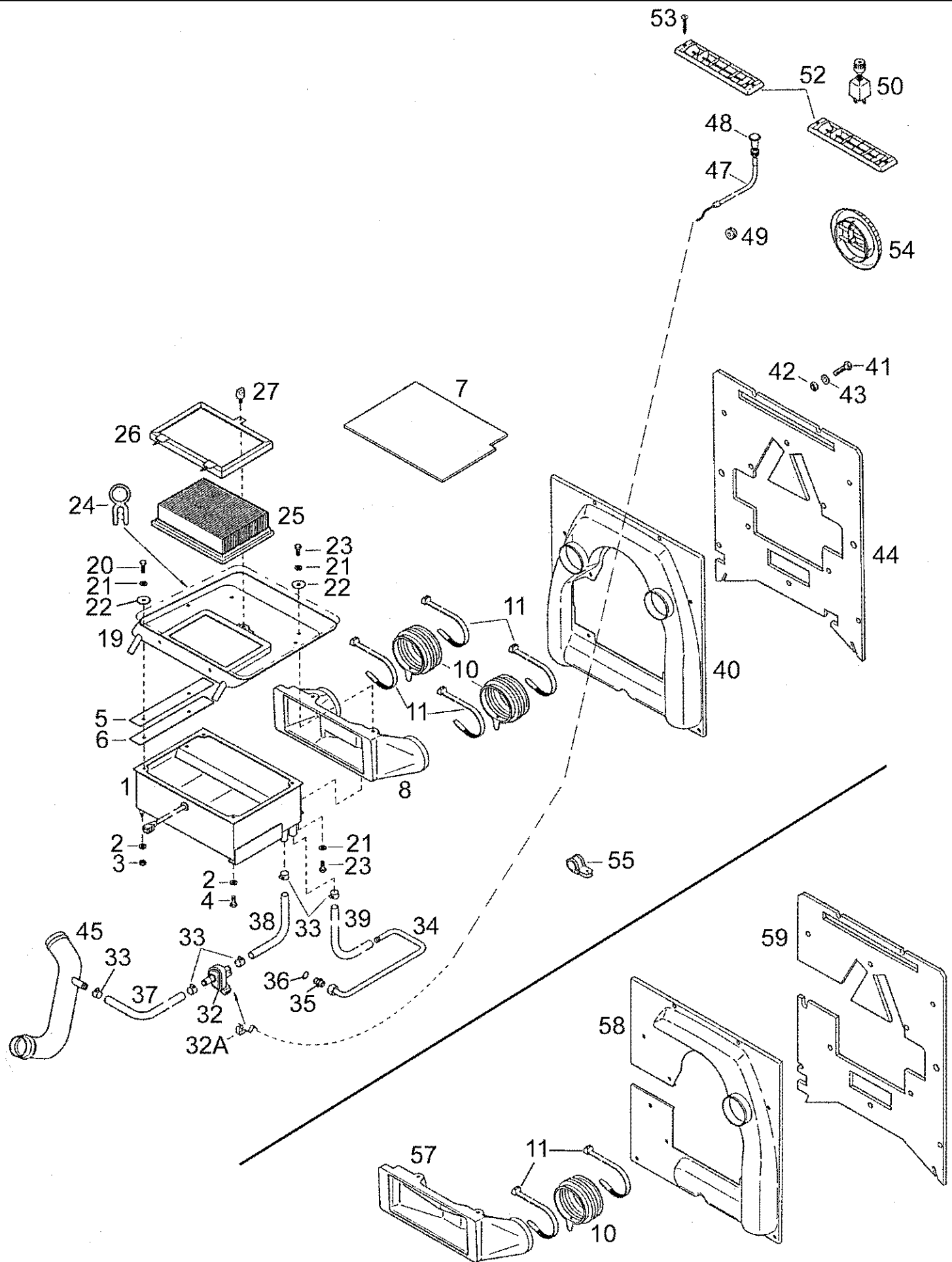
**03589---->**



## 09B-39(01) ROOF VENTILATION, BLOWER DISASSEMBLED

Ref	Onderdeelnummer	Kwt	Beschrijving
	1-34-684-122	1	BLAZER, , ---->. . . .; Besteht aus/Consists of/Compose de/Bestående af/È composto da 1 - 7
	1-34-684-140	1	BLAZER, , . . . ---->03588; Besteht aus/Consists of/Compose de/Bestående af/È composto da 1 - 5, 8, 9
1	1-34-784-147	1	HUIS,
2	1-34-784-145	2	UITWERPVIJZEL, KOPPELOMV,
3	1-34-784-134	1	ELEKTRISCHE MOTOR,
4	1-34-784-144	2	BAND,
5	1-34-784-143	10	SCHROEF,
6	1-34-784-149	3	LEIDING,
7	1-34-784-148	1	LEIDING,
8	1-34-784-097	1	HUIS,
9	1-34-784-098	4	PIN, LARGE,
	1-34-684-474	1	BLAZER, , 03589 ---->; Besteht aus/Consists of/Compose de/Bestående af/È composto da 11 - 15
11	1-34-784-147	1	HUIS,
	1-34-784-146	2	KLEM,
12	1-34-784-145	2	UITWERPVIJZEL, KOPPELOMV,
13	1-34-784-134	1	ELEKTRISCHE MOTOR,
14	1-34-784-144	2	BAND,
15	190003823830	10	SCHROEF, , 8x19
16	190003843235	7	SCHROEF,

09B-40(01) HEATER INSTALLATION



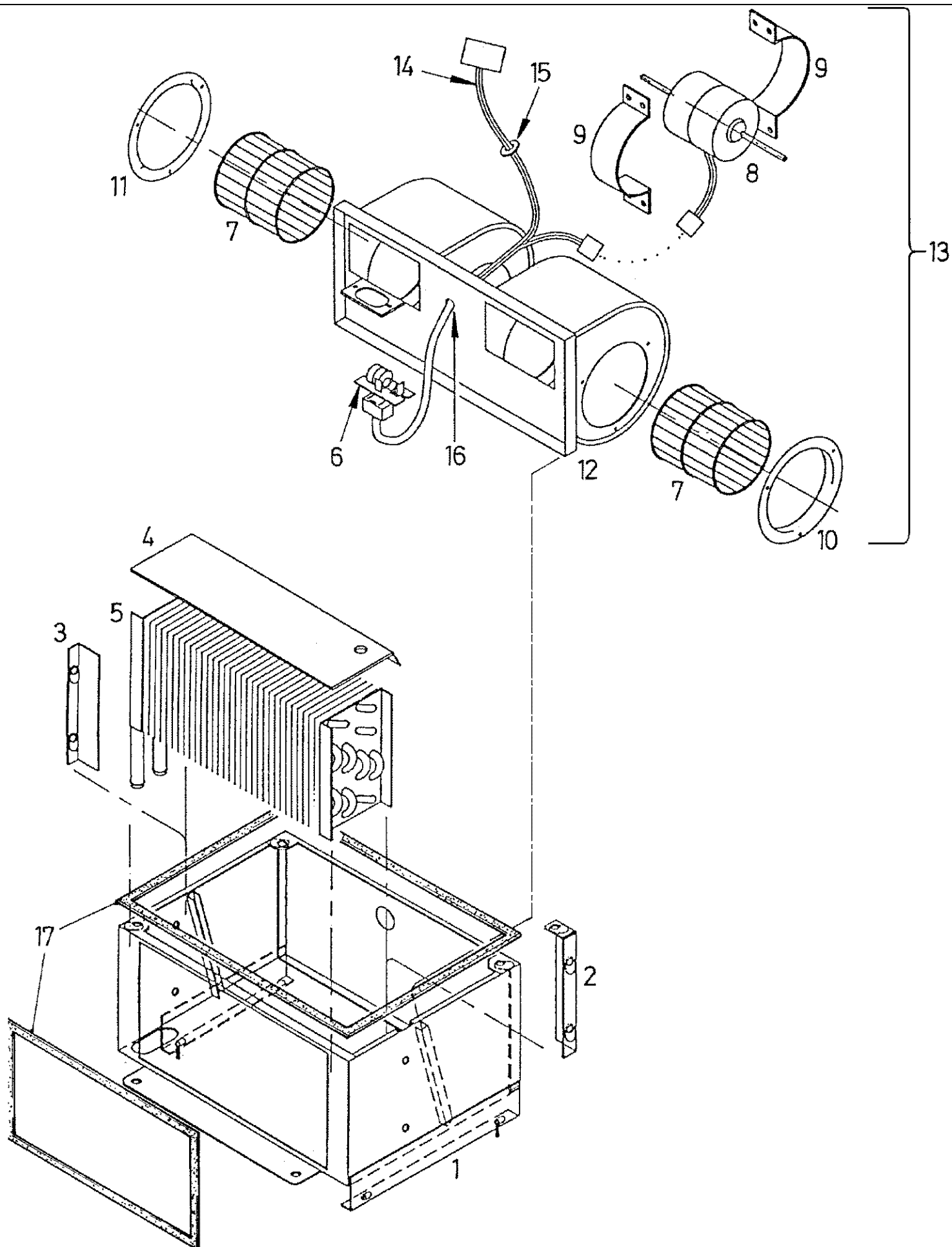
## 09B-40(01) HEATER INSTALLATION

Ref	Onderdeelnummer	Kwt	Beschrijving
1	1-34-584-220	1	VERWARMER, , Siehe nächste Seite(n)/See next page(s)/Voir page(s) suivante(s)/Se næste side (r )/Vedere pagin(a/e) sequent(e/i)
2	190003937279	4	SCHIJF, , 7-ST-A3C
3	15896221	2	MOER, M6, CI 10, , M6-8-A2C, DIN934
4	86977726	2	BOUT, Hex, M6 x 12, 8.8,
5	1-34-584-228	1	SUPPORT,
6	190003129481	1	DICHTING, RUBBER, , 15x15, K-8389; L = 300mm
7	1-34-584-206	1	MAT, FLOOR,
8	1-34-684-002	1	LEIDING, , ---->01901
10	1-34-684-008	2/1	BLAASBALG,
11	131185110028	4/2	ELECTRISCHE KABEL,
19	1-34-584-214	1	LUCHTREINIGER,
20	86508568	4	BOUT, Hex, M6 x 16, 8.8,
21	190003936101	7	SLUITRING, , 6,4-140HV-A3C
22	1-34-584-201	5	SLUITRING,
23	86977726	4	BOUT, Hex, M6 x 12, 8.8,
24	190003171918	X	DICHTINGSSTUK, , L = 1500mm
25	1-34-584-216	1	FILTER, CABINE,
26	1-34-584-224	1	RAAM,
27	1-99-904-007	1	KNOP,
32	1-34-684-047	1	REMKLEP, , Einschließlich/Includes/Avec/Inklusive/Compreso 32A
32A	1-34-784-093	1	VEERKLEM,
33	190003989336	6	BUISKLEM, , 16/22
34	1-34-584-203	1	BUISJE,
35	180327030007	1	MOER VOOR BUIZEN, , M22x1,5/M22x1,5
36	190003098026	1	DICHTINGSRING, , A22x27-CU
37	190003160223	1	FLEXIBELE BUIS, , 16x23; L = 840mm
38	190003160223	1	FLEXIBELE BUIS, , 16x23; L = 90mm
39	190003160223	1	FLEXIBELE BUIS, , 16x23; L = 220mm
40	1-34-584-226	1	LEIDING, , ---->01901
41	43128	6	BOUT, Hex, M8 x 30, 8.8,
42	43362	5	MOER, M8, CI 10,
43	190003930261	8	SLUITRING, , A8,4
44	1-34-569-201	1	MAT, , ---->01901
45	REF	-	INSTRUCTION, , Siehe Kapitel 02/See Chapter 02/Voir Chapitre 02/Se kapitel 02/Vedere capitolo 02
47	1-34-584-235	1	SLIDE, CONTROL,
48	1-34-784-092	1	KNAP,
49	190003129036	1	KABELDOORGANG, , 9X2,5
50	1-40-158-006	1	SCHAKELAAR MET HEFBOOM,
52	1-34-184-111	2	SPROEIER,
53	190003844712	4	ZELFTAPPENDE SCHROEF, Cross Csk Hd, M3.5 x 19, , 3,5x19

## 09B-40(01) HEATER INSTALLATION

Ref	Onderdeelnummer	Kwt	Beschrijving
54	1-34-584-021	1	SPROEIER,
55	1-33-147-101	1	LEIDINGKLEM,
57	1-34-584-241	1	CHANNEL, AIR, , 01902 ---->
58	1-34-584-238	1	CHANNEL, AIR, , 01902 ---->
59	1-34-569-205	1	MAT, , 01902 ---->

09B-41(01) BLOWER, DISASSEMBLED

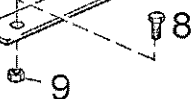
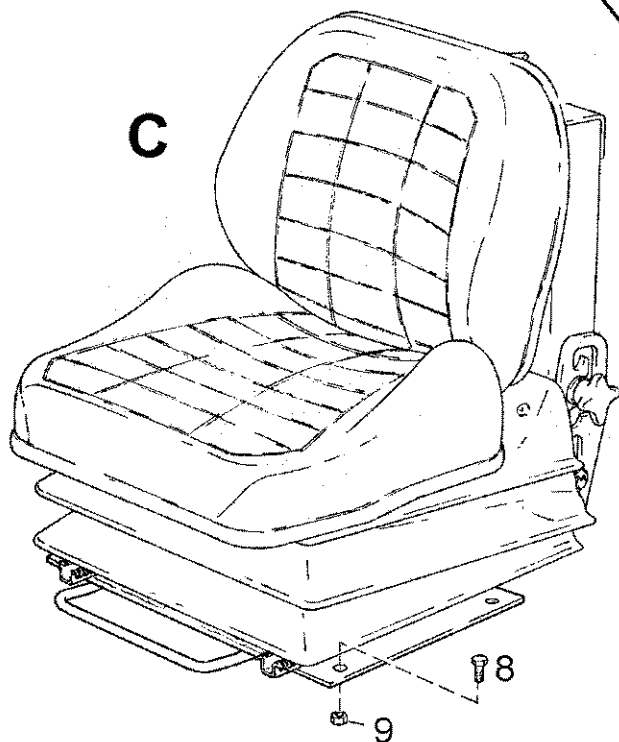
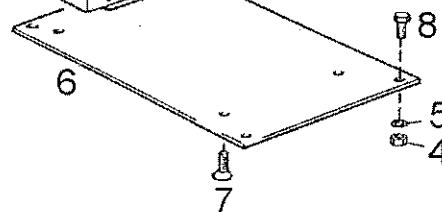
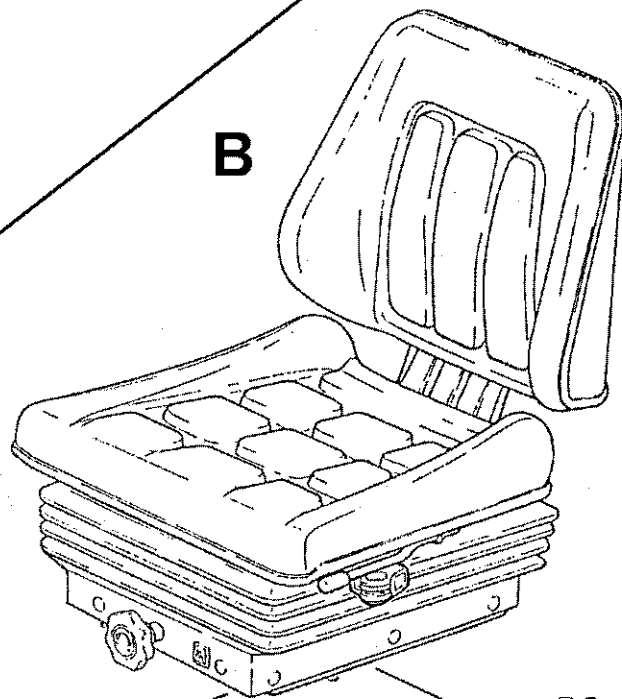
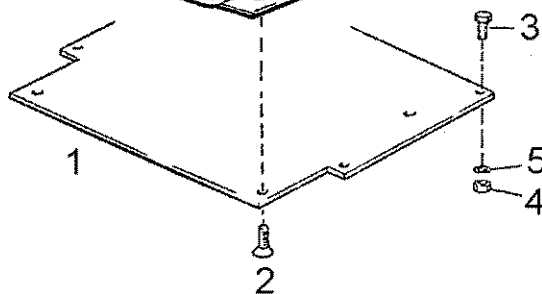
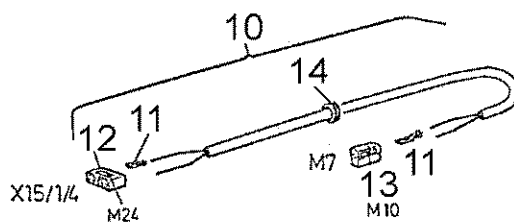
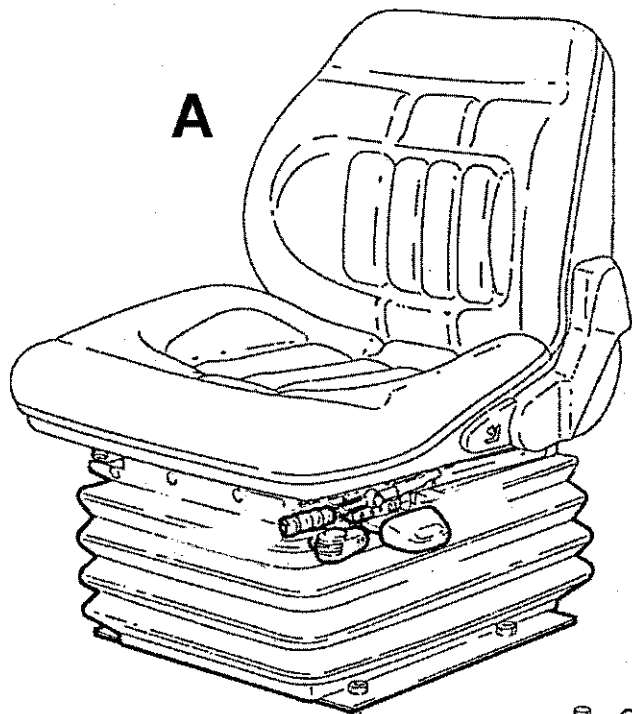




## 09B-41(01) BLOWER, DISASSEMBLED

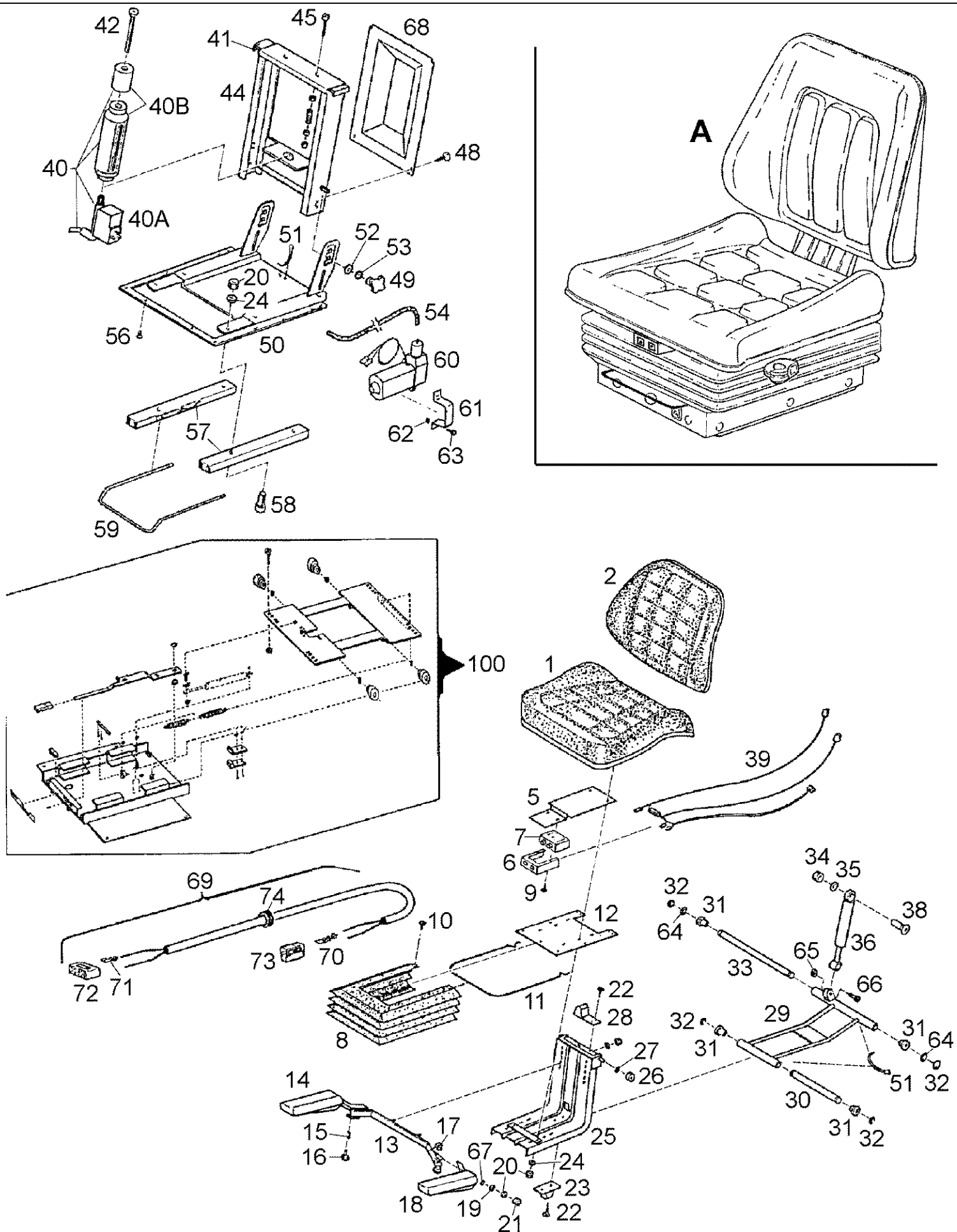
Ref	Onderdeelnummer	Kwt	Beschrijving
	1-34-584-220	1	VERWARMER, , Besteht aus/Consists of/Compose de/Bestående af/È composto da 1 - 17
1	NSS	-	NIET ALLEEN VERKRIJGBAAR,
2	1-34-784-131	1	HOUDER, , Rechts/Right/Droit/Højre/Destra
3	1-34-784-130	1	HOUDER, , Links/Left/Gauche/Venstre/Sinistro
4	1-34-784-129	1	COVER, PROTECTIVE,
5	1-34-784-128	1	HEAT-EXCHANGER,
6	1-34-784-127	1	WEERSTAND,
7	1-34-784-126	2	BLAZER,
8	1-34-784-125	1	ELEKTRISCHE MOTOR,
9	1-34-784-124	1	HOUDER,
10	1-34-784-123	1	FLENS, , Rechts/Right/Droit/Højre/Destra
11	1-34-784-122	1	FLENS, , Links/Left/Gauche/Venstre/Sinistro
12	1-34-784-121	1	HUIS,
13	1-34-784-120	1	BLAZER, , Besteht aus/Consists of/Compose de/Bestående af/È composto da 7 - 12
14	1-34-784-119	1	KABEL,
15	1-34-784-118	1	DICHTINGSRING,
16	1-34-784-117	1	DICHTINGSSTUK,
17	1-34-784-116	1	DICHTINGSSTUK,

09B-42(01) DRIVER'S SEATS, BUILT-IN



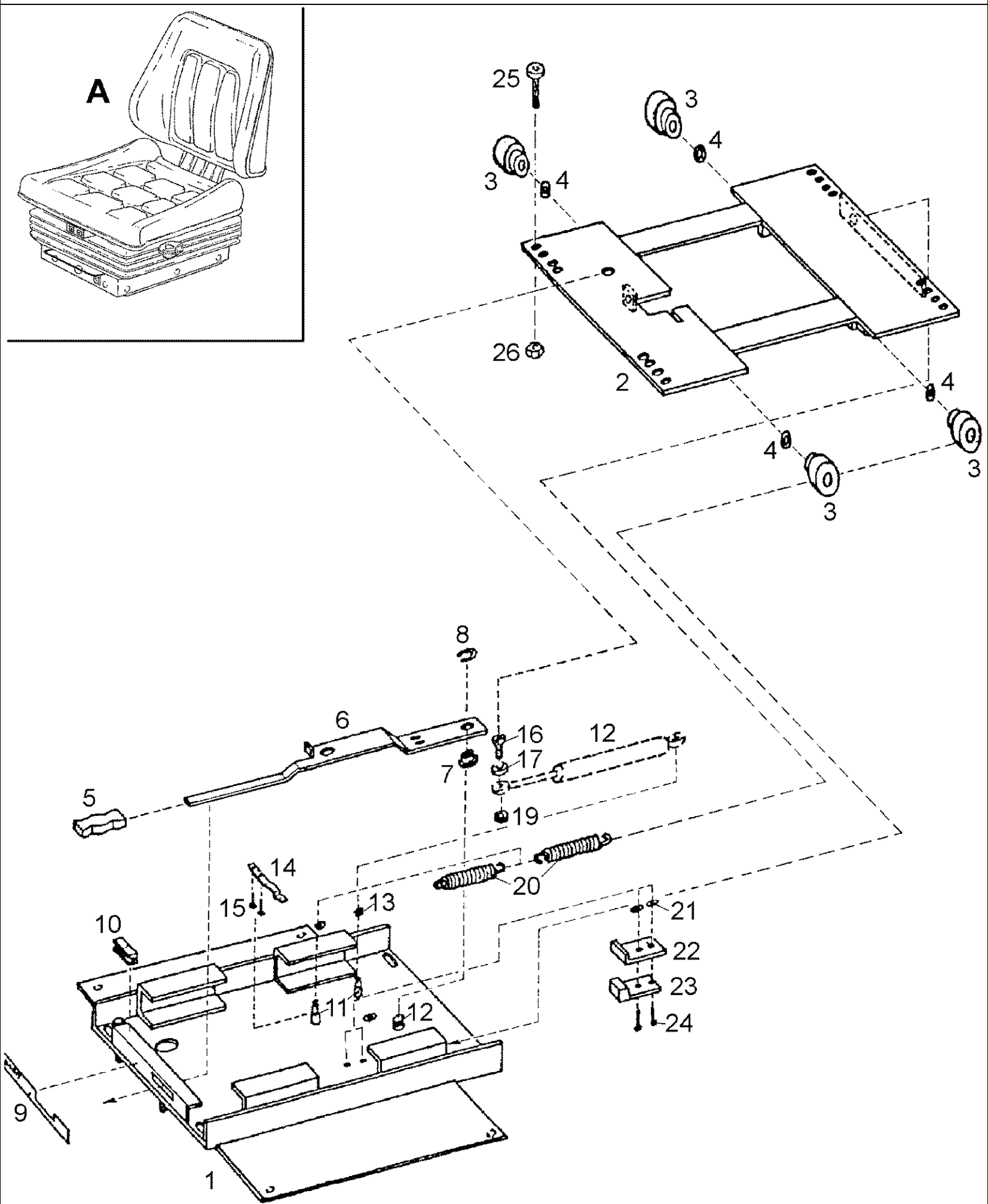
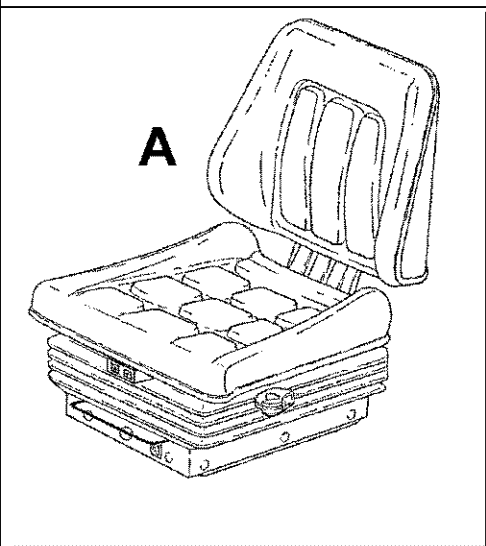
## 09B-42(01) DRIVER'S SEATS, BUILT-IN

Ref	Onderdeelnummer	Kwt	Beschrijving
A	1-34-551-059	1	SEAT ASSY., , PROFI STAR 3 - KLEPP / ---->. . . .; Siehe nächste Seite(n)/See next page(s)/Voir page(s) suivante(s)/Se næste side (r )/Vedere pagin(a/e) seguent(e/i)
A	1-34-551-217	1	SPIE, , MSG95A - GRAMMER / . . . ---->; Einschließlich/Includes/Avec/Inklusive/Compreso 10, Siehe nächste Seite(n)/See next page(s)/Voir page(s) suivante(s)/Se næste side (r )/Vedere pagin(a/e) seguent(e/i)
B	1-34-551-207	1	SPIE, , DS85 - GRAMMER / ---->03031; Siehe nächste Seite(n)/See next page(s)/Voir page(s) suivante(s)/Se næste side (r )/Vedere pagin(a/e) seguent(e/i)
B	1-34-551-225	1	SEAT ASSY., , DS85 1H3 - GRAMMER / 03032---->; Siehe nächste Seite(n)/See next page(s)/Voir page(s) suivante(s)/Se næste side (r )/Vedere pagin(a/e) seguent(e/i)
C	1-34-551-056	1	SPIE, , 1050E - KLEPP; Siehe nächste Seite(n)/See next page(s)/Voir page(s) suivante(s)/Se næste side (r )/Vedere pagin(a/e) seguent(e/i)
1	1-34-551-216	1	PLAAT, GROOT,
2	190003862017	4	SCHROEF, Cross Csk Hd, M8 x 20, 8.8, , M8x20-8.8
3	16043224	4	BOUT, Hex, M8 x 16, 8.8, Full Thd,
4	43362	2	MOER, M8, CI 10,
5	190003930261	4	SLUITRING, , A8,4
6	1-34-651-023	1	PLAAT, GROOT,
7	190003862017	4	SCHROEF, Cross Csk Hd, M8 x 20, 8.8, , M8x20-8.8
8	16043224	4	BOUT, Hex, M8 x 16, 8.8, Full Thd,
9	43362	2	MOER, M8, CI 10,
10	1-41-177-087	1	CABLE ASSY., , Besteht aus/Consists of/Compose de/Bestående af/È composto da 11 - 14
11	1880770005	4	KABELSCHOEN, , G03
12	179100770390	1	CONTACTDOOS, , M24 ; 5-Polig / 5-pole / À 5 pôle / 5-polet / 5 polo
13	199014770058	1	AANSLUITING, , M10 ; 2-Polig / 2-pole / À 2 pôle / 2-polet / 2 polo
14	190003120098	1	KABELDOORGANG, , 8x1/20



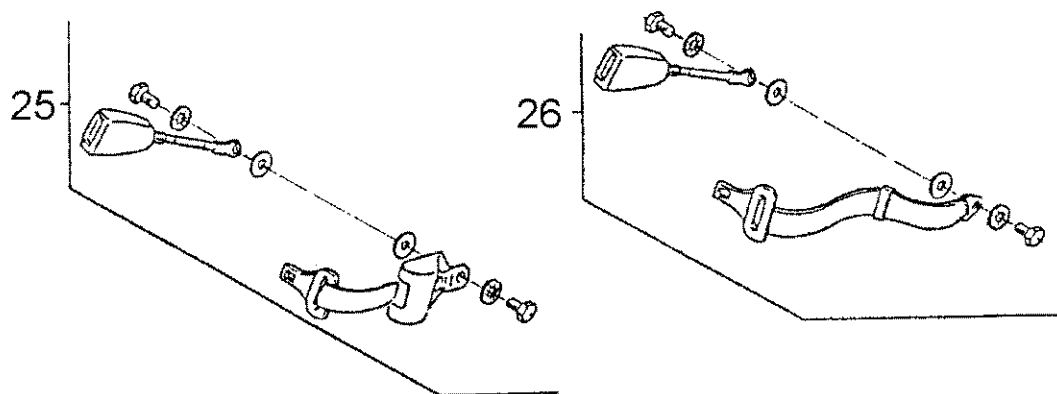
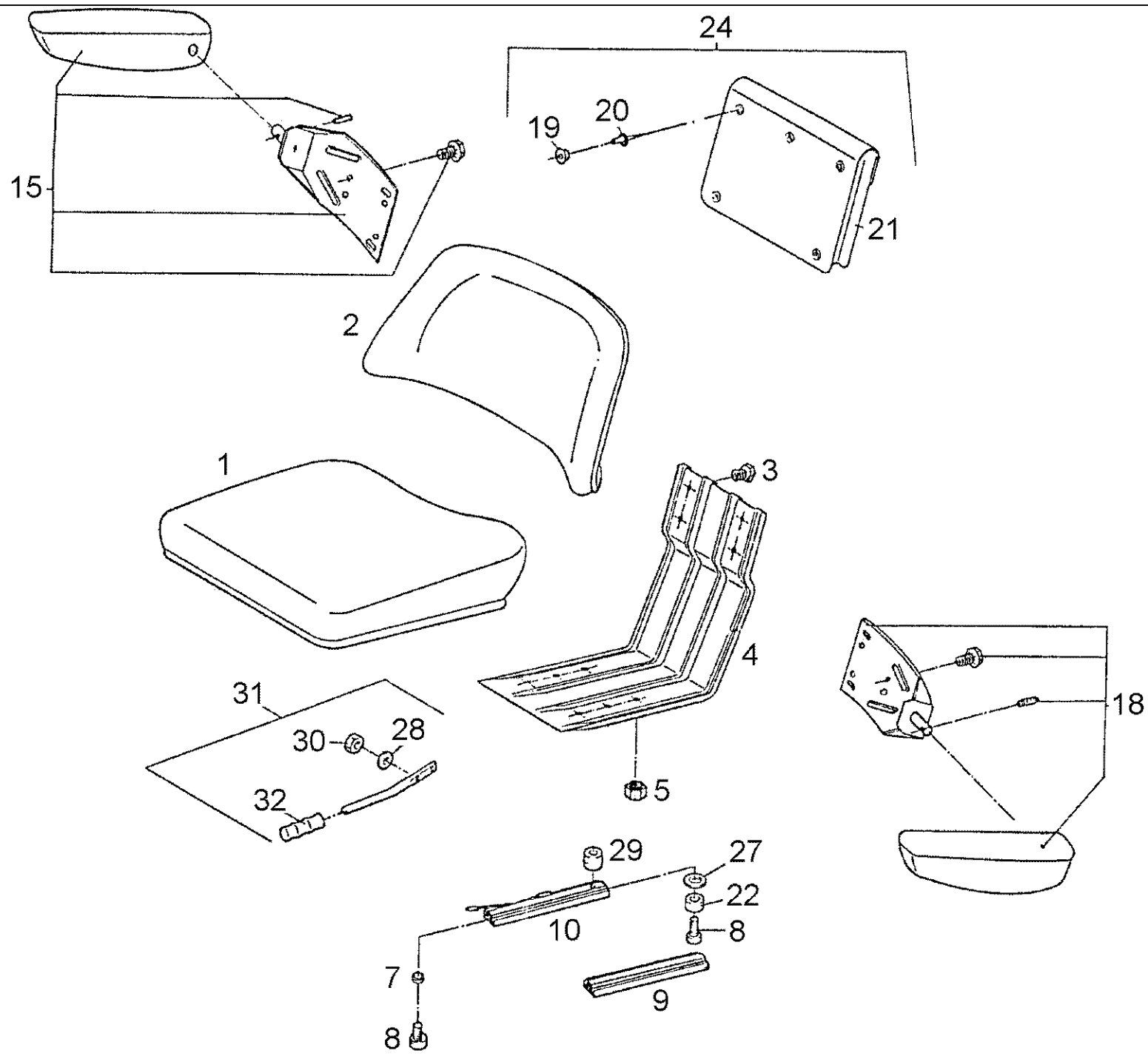
Ref	Onderdeelnummer	Kwt	Beschrijving
A	1-34-551-059	1	SEAT ASSY. , , Siehe Seite(n) vorne/See Page(s) before/Voir Page(s) avant/Se side (r ) forrest/Vedere pagin(a/e) precedent(e/i)
1	1-34-751-571	1	SPIE,
2	1-34-751-572	1	BACKREST,
5	1-34-751-241	1	ANKER,
6	1-34-751-242	1	COVER, PROTECTIVE,
7	1-34-751-243	1	BEDIENING,
8	1-34-751-236	1	BLAASBALG,
9	190003843106	2	SCHROEF, , St4,2x9,5
10	NSS	-	NIET ALLEEN VERKRIJGBAAR,
11	1-34-751-244	4	BAIL,
12	1-34-751-245	1	BLAASBALG,
13	1-34-751-246	1	ARM,
14	1-34-751-247	1	ARM, , Rechts/Right/Droit/Højre/Destra
15	1-34-751-248	2	SPRING, COMPRESSION,
16	NSS	-	NIET ALLEEN VERKRIJGBAAR,
17	NSS	-	NIET ALLEEN VERKRIJGBAAR,
18	1-34-751-249	1	ARM, , Links/Left/Gauche/Venstre/Sinistro
19	190003932030	2	SCHIJFVEER, , A8-FST-A3C
20	43362	10	MOER, M8, CI 10,
21	1-34-751-250	2	COVER, PROTECTIVE,
22	NSS	-	NIET ALLEEN VERKRIJGBAAR,
23	1-34-751-251	1	STOOTSTUK,
24	190003935469	8	SLUITRING, , A8,2-A3C
25	1-34-751-252	1	SPIE,
26	1-34-751-253	2	PLATE, PLASTIC,
27	1-34-751-254	2	AFSTANDSSTUK VOOR BUIZEN,
28	1-34-751-255	1	BUFFER, RUBBER,
29	1-34-751-256	1	LINK, UPPER,
30	1-34-751-257	1	AS,
31	1-34-751-258	4	PLATE, PLASTIC,
32	190003936617	4	SLUITRING,
33	1-34-751-259	1	AS, , Ø 12x227
34	43362	1	MOER, M8, CI 10,
35	190003930261	1	SLUITRING, , A8,4
36	1-34-751-320	1	CYLINDER, GAS,
38	190003825447	1	SCHROEF, , M8x35-4.8-A2C
39	1-34-751-260	1	KABEL,
40	1-34-751-238	1	TESTTOESTEL,
40A	1-34-751-321	1	STOOTLAGER,
40B	1-34-751-271	1	BEDIENING,

Ref	Onderdeelnummer	Kwt	Beschrijving
41	1-34-751-261	1	GELEIDER,
42	NSS	-	NIET ALLEEN VERKRIJGBAAR,
44	NSS	-	NIET ALLEEN VERKRIJGBAAR,
45	190003822272	2	SCHROEF, , AM5x30-4.8-A2C
46	190003930241	4	SLUITRING, , A5,3-140HV-A3C
47	190003888450	2	MOER, , VM5-8-A2C
48	190003844558	2	SCHROEF, , 6,3x16
49	1-34-751-263	2	HENDEL, , M12x1
50	1-34-751-264	1	BASIS,
51	190003171697	4	BEVESTIGINGSKLEM, , A5x180 / K02
52	190003932016	2	WASHER, SPRING, , B12-FST-A3C
53	190003930282	2	SCHIJF, , A13
54	1-34-751-322	1	FLEXIBELE BUIS,
56	NSS	-	NIET ALLEEN VERKRIJGBAAR,
57	1-34-751-265	2	RAIL,
58	190003862419	4	SCHROEF, , M8x16-8.8
59	1-34-751-266	1	HEFBOOM,
60	1-34-751-267	1	COMPRESSOR,
61	1-34-751-268	2	CLAMP,
62	15896221	4	MOER, M6, CI 10, , M6-8-A2C, DIN934
63	86508568	4	BOUT, Hex, M6 x 16, 8.8,
64	190003930251	2	SCHIJF, , A6,4-140HV-A3C
65	190003888451	1	MOER, , VM8-8
66	190003822440	1	SCHROEF, , M8x30-4.8-A2C
67	190003930261	2	SLUITRING, , A8,4
68	1-34-751-269	1	COVER,
69	1-41-177-086	1	KABEL, , Besteht aus/Consists of/Compose de/Bestående af/È composto da 70 - 74
70	1390770002	2	TERMINAL, SPADE, , F01
71	1880770005	2	KABELSCHOEN, , G03
72	179100770390	1	CONTACTDOOS, , M24 ; 5-Polig / 5-pole / À 5 pôle / 5-polet / 5 polo
73	199014770059	1	HUIS, , N06
74	190003120098	1	KABELDOORGANG, , 8x1/20
100	1-34-751-558	1	VEER, , Siehe nächste Seite(n)/See next page(s)/Voir page(s) suivante(s)/Se næste side (r)/Vedere pagin(a/e) sequent(e/i)

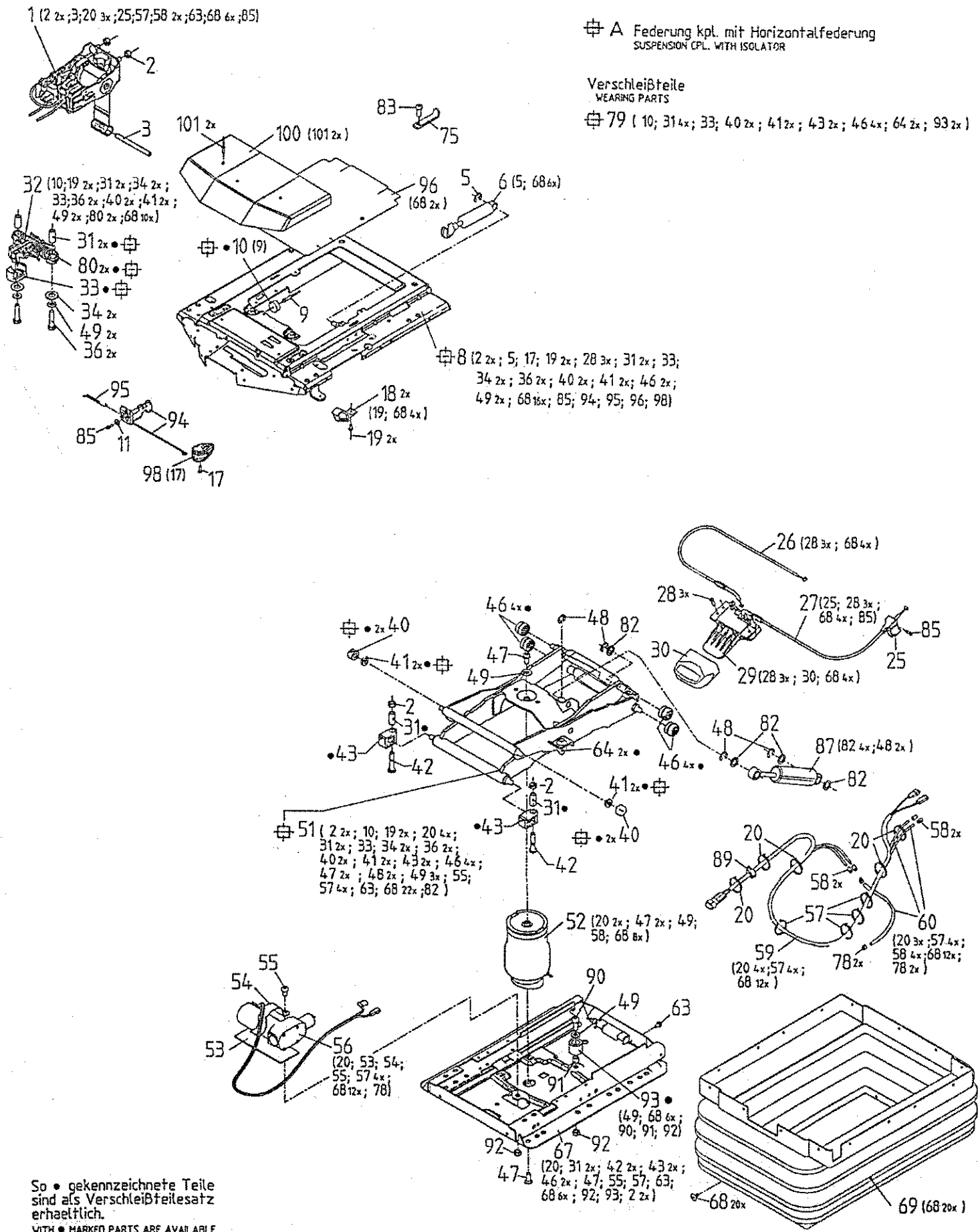


Ref	Onderdeelnummer	Kwt	Beschrijving
A	1-34-551-059	1	SEAT ASSY. , , Siehe Seite(n) vorne/See Page(s) before/Voir Page(s) avant/Se side (r ) forrest/Vedere pagin(a/e) precedent(e/i)
	1-34-751-558	1	VEER, , Besteht aus/Consists of/Compose de/Bestående af/È composto da 1 - 26
1	NSS	-	NIET ALLEEN VERKRIJGBAAR,
2	NSS	-	NIET ALLEEN VERKRIJGBAAR,
3	1-34-751-545	4	ROL,
4	NSS	-	NIET ALLEEN VERKRIJGBAAR,
5	1-34-751-548	1	HENDEL,
6	1-34-751-323	1	HEFBOOM,
7	1-34-751-549	1	LAGERBUS,
8	190003936617	1	SLUITRING, , 9-A3C
9	NSS	-	NIET ALLEEN VERKRIJGBAAR,
10	1-34-751-550	1	RUBBER,
11	NSS	-	NIET ALLEEN VERKRIJGBAAR,
12	NSS	-	NIET ALLEEN VERKRIJGBAAR,
13	190003936616	2	SLUITRING, , 6-A3C
14	1-34-751-551	1	VEER,
15	NSS	-	NIET ALLEEN VERKRIJGBAAR,
16	NSS	-	NIET ALLEEN VERKRIJGBAAR,
17	190003932961	1	SCHIJF, , B11-ST-A3C
18	1-34-751-319	1	CYLINDER, GAS,
19	43362	1	MOER, M8, CI 10,
20	1-34-751-547	2	SPRING, TENSION,
21	190003936100	2	SLUITRING, , 5,3-140HV-A3C
22	NSS	-	NIET ALLEEN VERKRIJGBAAR,
23	1-34-751-552	1	BUFFER, RUBBER,
24	NSS	-	NIET ALLEEN VERKRIJGBAAR,
25	190003862419	4	SCHROEF, , M8x16-8.8
26	43362	4	MOER, M8, CI 10,





Ref	Onderdeelnummer	Kwt	Beschrijving
A	1-34-551-217	1	SPIE, , Siehe Seite(n) vorne/See Page(s) before/Voir Page(s) avant/Se side (r ) forrest/Vedere pagin(a/e) precedent(e/i)
	1-34-551-218	1	SITZ-OBERTEIL, Besteht aus/Consists of/Compose de/Bestående af/È composto da 1 - 32
1	1-34-751-701	-	KUSSEN,
2	1-34-751-702	-	CUSHION,
3	16043224	4	BOUT, Hex, M8 x 16, 8.8, Full Thd,
4	NSS	-	NIET ALLEEN VERKRIJGBAAR,
5	NSS	-	NIET ALLEEN VERKRIJGBAAR,
8	NSS	-	NIET ALLEEN VERKRIJGBAAR,
9	NSS	-	NIET ALLEEN VERKRIJGBAAR,
10	NSS	-	NIET ALLEEN VERKRIJGBAAR,
15	1-34-151-008	-	ARMLEUNING, BESTUURSZETEL,
18	1-34-151-009	-	ARMLEUNING, BESTUURSZETEL,
25	NSS	-	NIET ALLEEN VERKRIJGBAAR,
26	NSS	-	NIET ALLEEN VERKRIJGBAAR,
27	190003930261	2	SLUITRING, , A8,4
28	190003936100	1	SLUITRING, , 5,3-140HV-A3C
29	NSS	-	NIET ALLEEN VERKRIJGBAAR,
30	190003888450	1	MOER, , VM5-8-A2C
31	1-34-751-282	1	HEFBOOM, , Besteht aus/Consists of/Compose de/Bestående af/È composto da 28, 30, 32
32	NSS	-	NIET ALLEEN VERKRIJGBAAR,

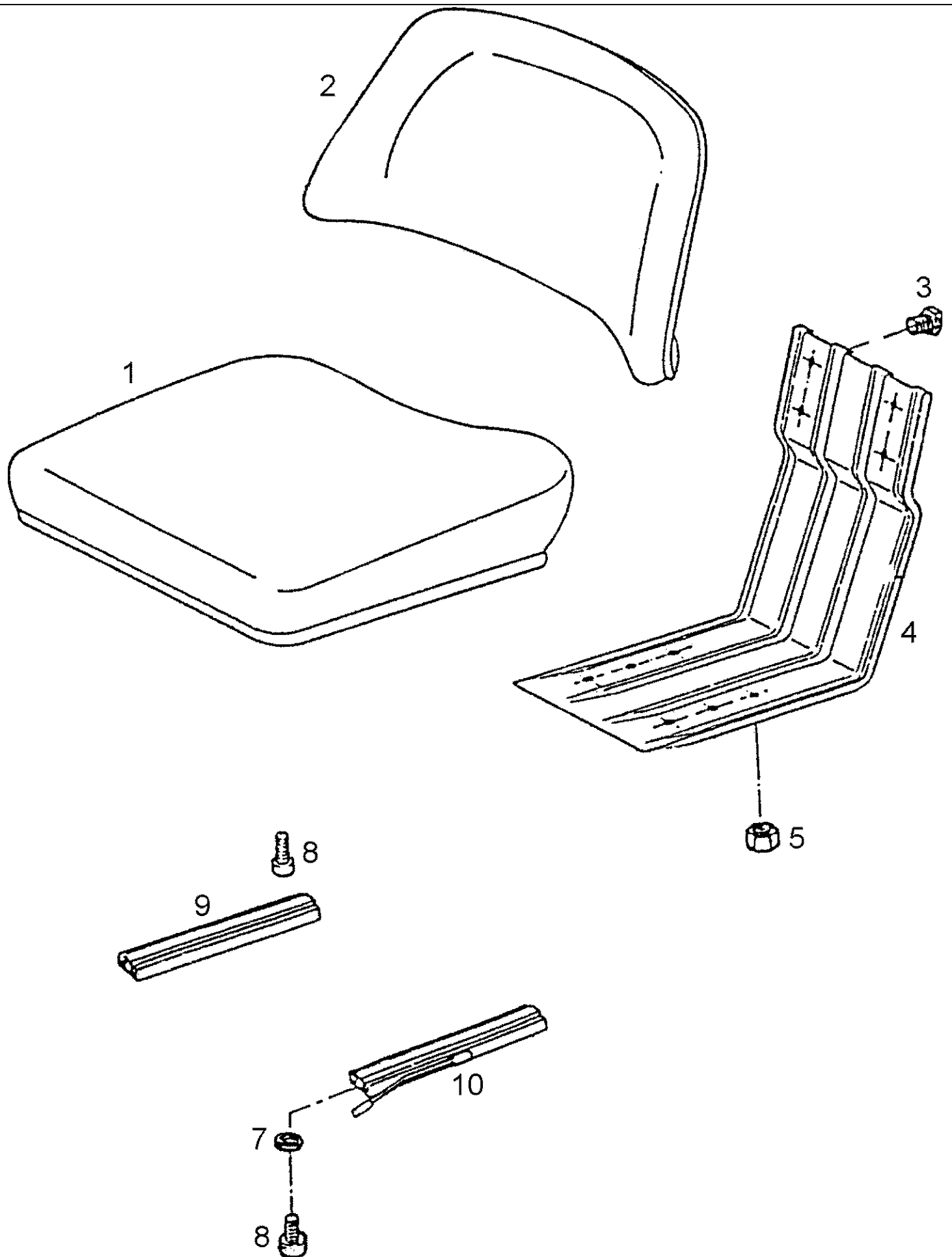


So • gekennzeichnete Teile sind als Verschleißteilesatz erhältlich.  
WITH • MARKED PARTS ARE AVAILABLE AS WEARING PARTS

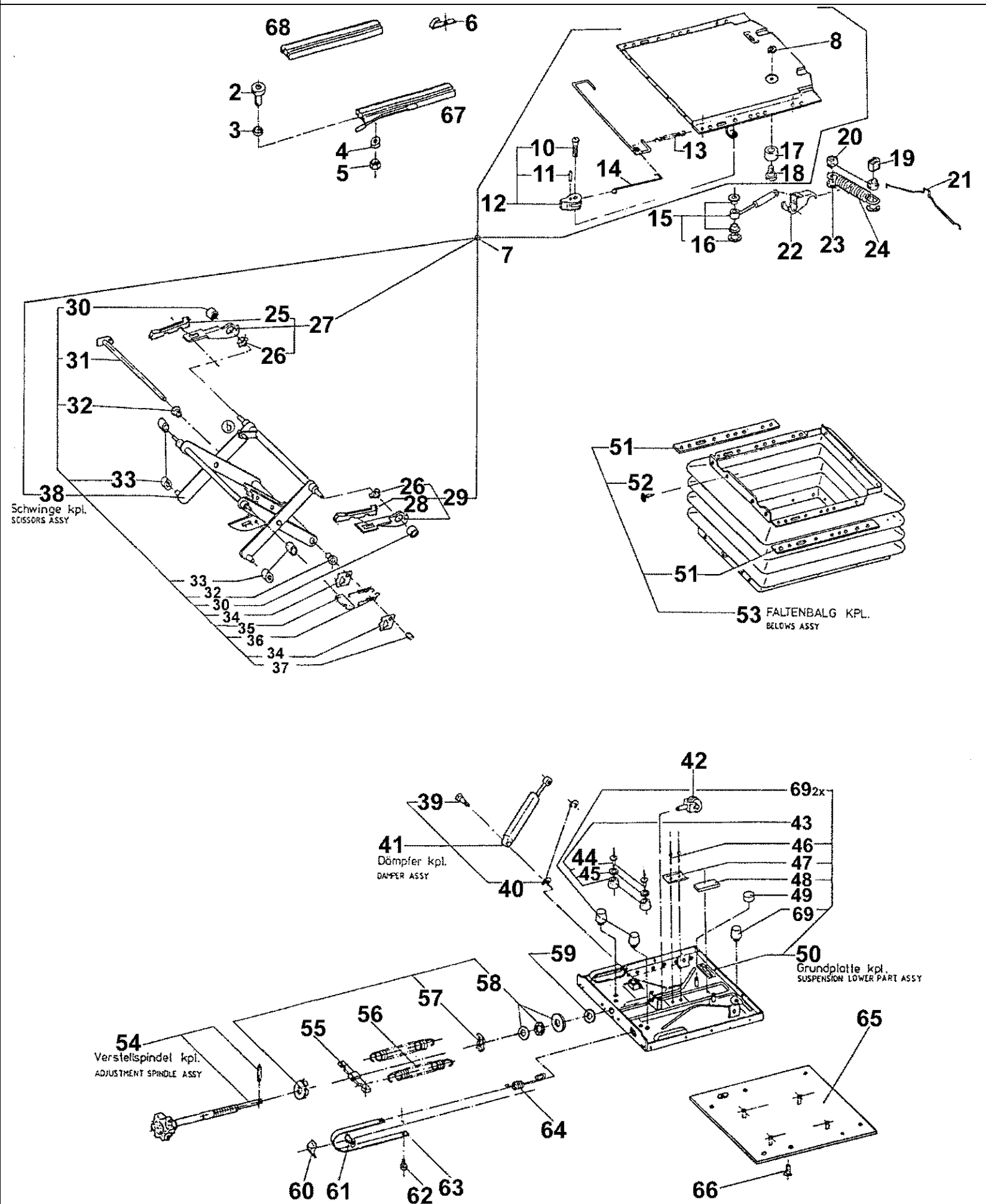
KPL.-Pos. beinhalten die in Klammer ( ) aufgeführten Positionen  
CPL.-POS. INCLUDES THE POSITIONS WITH ARE LISTED IN BRACKETS ( ) .

Ref	Onderdeelnummer	Kwt	Beschrijving
A	1-34-551-217	1	SPIE, , Siehe Seite(n) vorne/See Page(s) before/Voir Page(s) avant/Se side (r ) forrest/Vedere pagin(a/e) precedent(e/i)
	1-34-551-220	1	SPIE, , Besteht aus/Consists of/Compose de/Bestående af/È composto da 1 - 100
1	1-34-751-428	1	BEDIENING, , Besteht aus/Consists of/Compose de/Bestående af/È composto da 2, 3, 20, 25, 57, 58, 63, 68, 85
2	43362	4	MOER, M8, CI 10,
3	NSS	-	NIET ALLEEN VERKRIJGBAAR,
5	190003936619	1	SCHIJFVEER, , 6-PH
6	1-34-751-905	1	SHOCK ABSORBER, , Besteht aus/Consists of/Compose de/Bestående af/È composto da 5, 68
8	NSS	-	NIET ALLEEN VERKRIJGBAAR, , Besteht aus/Consists of/Compose de/Bestående af/È composto da 2, 5, 17, 19, 28, 31, 33, 34, 36, 40, 41, 46, 49, 68, 85, 94 - 96, 98
9	1-34-751-100	1	KLINKNAGEL,
10	NSS	-	NIET ALLEEN VERKRIJGBAAR, , Einschließlich/Includes/Avec/Inklusive/Compreso 9, 11
11	190003936106	1	SCHIJF, , 4,3-140HV-A3C
17	NSS	-	NIET ALLEEN VERKRIJGBAAR,
18	NSS	-	NIET ALLEEN VERKRIJGBAAR, , Besteht aus/Consists of/Compose de/Bestående af/È composto da 19, 68
19	NSS	-	NIET ALLEEN VERKRIJGBAAR,
20	NSS	-	NIET ALLEEN VERKRIJGBAAR,
25	NSS	-	NIET ALLEEN VERKRIJGBAAR,
26	NSS	-	NIET ALLEEN VERKRIJGBAAR, , Besteht aus/Consists of/Compose de/Bestående af/È composto da 28, 68
27	NSS	-	NIET ALLEEN VERKRIJGBAAR, , Besteht aus/Consists of/Compose de/Bestående af/È composto da 25, 28, 68, 85
28	NSS	-	NIET ALLEEN VERKRIJGBAAR,
29	1-34-751-586	1	CONNECTION, ELECTRIC, , Besteht aus/Consists of/Compose de/Bestående af/È composto da 28, 30, 68
30	NSS	-	NIET ALLEEN VERKRIJGBAAR,
31	NSS	-	NIET ALLEEN VERKRIJGBAAR,
32	1-34-751-906	1	VEER, , Besteht aus/Consists of/Compose de/Bestående af/È composto da 10, 19, 31, 33, 34, 36, 40, 41, 49, 68, 80
33	1-34-751-338	1	SCHOKDEMPER,
34	NSS	-	NIET ALLEEN VERKRIJGBAAR,
36	15213321	2	BOUT, Hex, M8 x 35, 8.8,
40	NSS	-	NIET ALLEEN VERKRIJGBAAR,
41	NSS	-	NIET ALLEEN VERKRIJGBAAR,
42	NSS	-	NIET ALLEEN VERKRIJGBAAR,
43	NSS	-	NIET ALLEEN VERKRIJGBAAR,
46	NSS	-	NIET ALLEEN VERKRIJGBAAR,
47	NSS	-	NIET ALLEEN VERKRIJGBAAR,
48	190003936620	2	SLUITRING, , 10-A3C

Ref	Onderdeelnummer	Kwt	Beschrijving
49	190003930261	3	SLUITRING, , A8,4
51	NSS	-	NIET ALLEEN VERKRIJGBAAR, , Besteht aus/Consists of/Compose de/Bestående af/È composto da 2, 10, 19, 20, 31, 33, 34, 36, 40, 41, 43, 46 - 49, 55, 57, 63, 68, 82
52	1-34-751-903	1	VEER, , Besteht aus/Consists of/Compose de/Bestående af/È composto da 20, 47, 49, 58, 68
53	NSS	-	NIET ALLEEN VERKRIJGBAAR,
54	NSS	-	NIET ALLEEN VERKRIJGBAAR,
55	NSS	-	NIET ALLEEN VERKRIJGBAAR,
56	1-34-751-589	1	COMPRESSOR, , Besteht aus/Consists of/Compose de/Bestående af/È composto da 20, 53, 54, 55, 57, 68, 78
57	NSS	-	NIET ALLEEN VERKRIJGBAAR,
58	NSS	-	NIET ALLEEN VERKRIJGBAAR,
59	NSS	-	NIET ALLEEN VERKRIJGBAAR, , Besteht aus/Consists of/Compose de/Bestående af/È composto da 20, 57, 68
60	NSS	-	NIET ALLEEN VERKRIJGBAAR, Hose Assy, Besteht aus/Consists of/Compose de/Bestående af/È composto da 20, 57, 58, 68, 78
63	NSS	-	NIET ALLEEN VERKRIJGBAAR,
64	1-34-751-101	2	SCHOKDEMPER,
67	NSS	-	NIET ALLEEN VERKRIJGBAAR, , Besteht aus/Consists of/Compose de/Bestående af/È composto da 2, 20, 31, 42, 43, 46, 47, 55, 57, 63, 68, 92, 93
68	1-34-751-061	24	HOUDER,
69	NSS	-	NIET ALLEEN VERKRIJGBAAR, , Einschließlich/Includes/Avec/Inklusive/Compreso 68
75	NSS	-	NIET ALLEEN VERKRIJGBAAR,
78	NSS	-	NIET ALLEEN VERKRIJGBAAR,
79	1-34-751-563	1	KIT, , Besteht aus/Consists of/Compose de/Bestående af/È composto da 10, 31, 33, 40, 41, 43, 46, 64, 93
80	1-34-751-339	2	LAGERBUS,
82	NSS	-	NIET ALLEEN VERKRIJGBAAR,
83	NSS	-	NIET ALLEEN VERKRIJGBAAR,
85	NSS	-	NIET ALLEEN VERKRIJGBAAR,
87	NSS	-	NIET ALLEEN VERKRIJGBAAR, , Absorber, Einschließlich/Includes/Avec/Inklusive/Compreso 48, 82
90	190003862427	1	SCHROEF, , M8x20-8.8
91	NSS	-	NIET ALLEEN VERKRIJGBAAR,
92	43362	2	MOER, M8, CI 10,
93	NSS	-	NIET ALLEEN VERKRIJGBAAR, , Einschließlich/Includes/Avec/Inklusive/Compreso 49, 68, 90 - 92
94	NSS	-	NIET ALLEEN VERKRIJGBAAR,
95	NSS	-	NIET ALLEEN VERKRIJGBAAR,
96	NSS	-	NIET ALLEEN VERKRIJGBAAR,
98	NSS	-	NIET ALLEEN VERKRIJGBAAR,
100	NSS	-	NIET ALLEEN VERKRIJGBAAR, , Einschließlich/Includes/Avec/Inklusive/Compreso 101
101	NSS	-	NIET ALLEEN VERKRIJGBAAR,



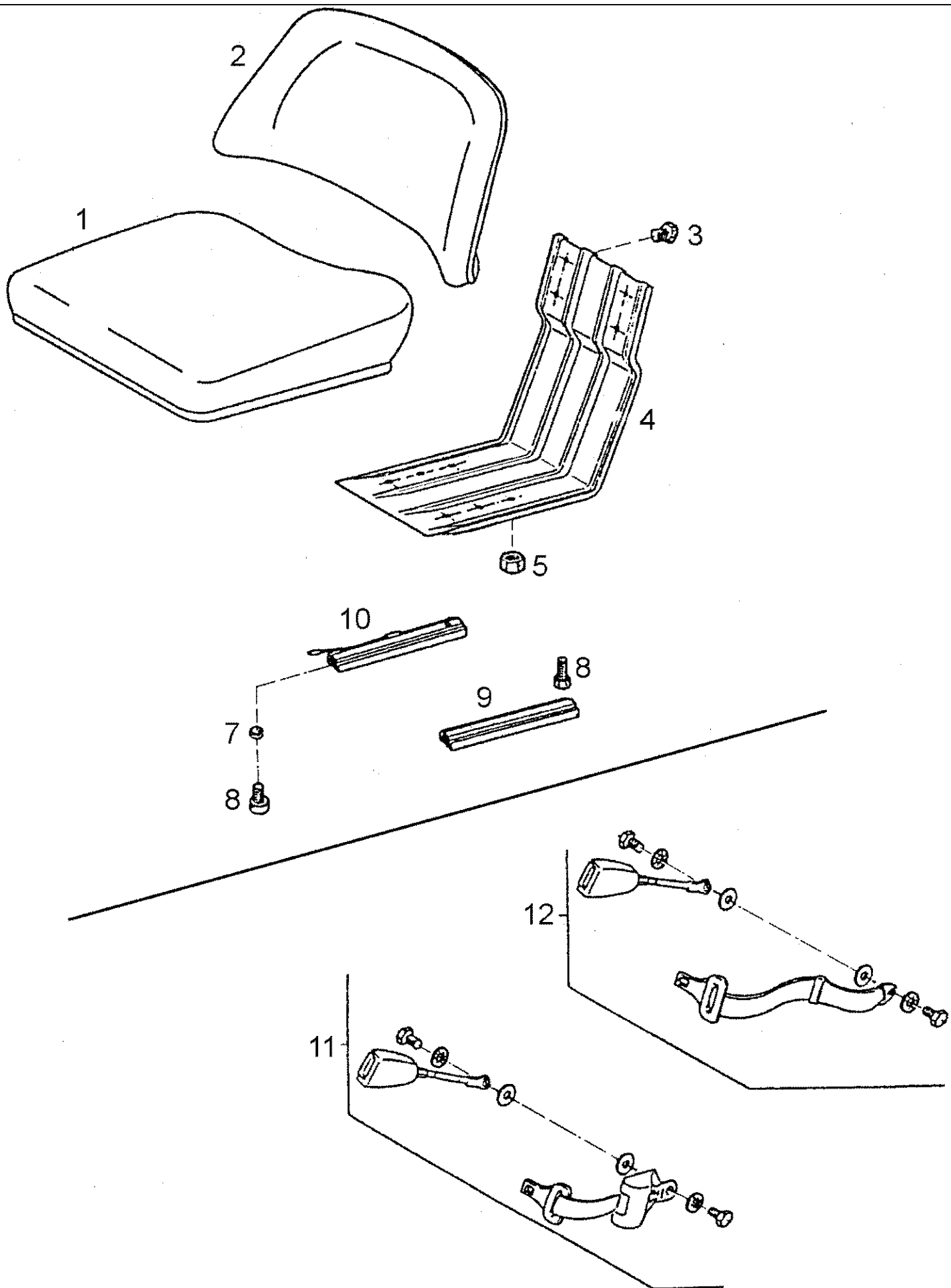
Ref	Onderdeelnummer	Kwt	Beschrijving
B	1-34-551-207	1	SPIE, , Siehe Seite(n) vorne/See Page(s) before/Voir Page(s) avant/Se side (r ) forrest/Vedere pagin(a/e) precedent(e/i)
1	NSS	-	NIET ALLEEN VERKRIJGBAAR,
2	NSS	-	NIET ALLEEN VERKRIJGBAAR,
3	16043224	4	BOUT, Hex, M8 x 16, 8.8, Full Thd,
4	NSS	-	NIET ALLEEN VERKRIJGBAAR,
5	NSS	-	NIET ALLEEN VERKRIJGBAAR,
7	190003932309	2	SCHIJF, , 8,4mm
8	NSS	-	NIET ALLEEN VERKRIJGBAAR,
9	1-34-751-362	1	LEIBAAN,
10	1-34-751-427	1	LEIBAAN,



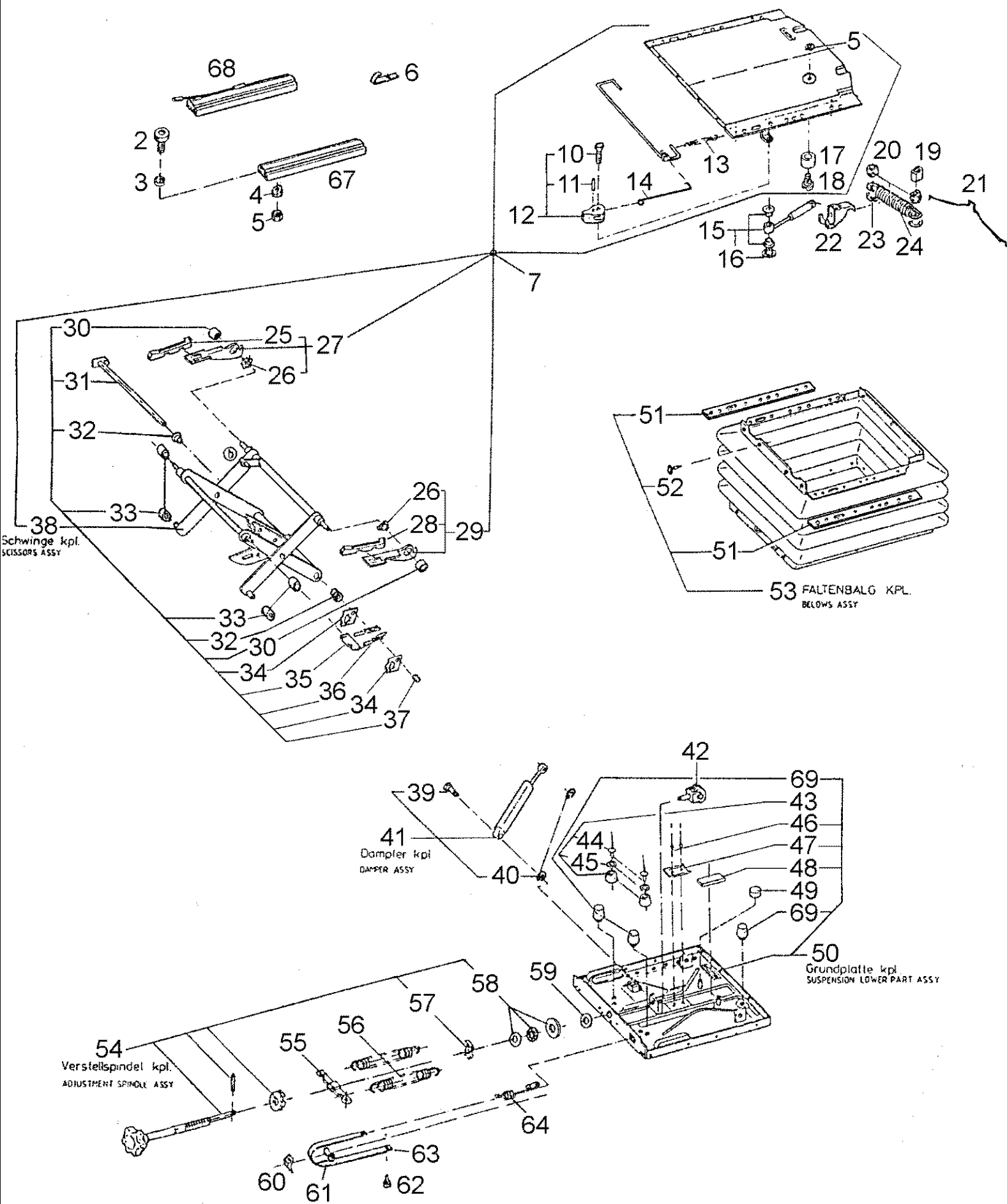


Ref	Onderdeelnummer	Kwt	Beschrijving
B	1-34-551-207	1	SPIE, , Siehe Seite(n) vorne/See Page(s) before/Voir Page(s) avant/Se side (r ) forrest/Vedere pagin(a/e) precedent(e/i)
	1-34-551-221	1	FEDERUNG, Besteht aus/Consists of/Compose de/Bestående af/È composto da 2 - 69
2	1-34-751-326	4	SCHROEF,
3	190003932309	2	SCHIJF, , 8,4mm
4	190003930012	6	SCHIJF, , 10,5-ST-A3C
5	43362	4	MOER, M8, CI 10,
6	NSS	-	NIET ALLEEN VERKRIJGBAAR,
7	1-34-751-327	1	AFSCHERMING, , Besteht aus/Consists of/Compose de/Bestående af/È composto da 8 - 14, 17, 18, 25 - 38
8	43362	1	MOER, M8, CI 10,
9	1-34-751-329	1	BOW,
10	1-34-751-330	1	SCHROEF,
11	190003909604	1	SPANSTIFT, , 3X10
12	1-34-751-331	1	GRIP, , Einschließlich/Includes/Avec/Inklusive/Compreso 10, 11
13	1-34-751-332	1	VEER,
14	1-34-751-333	1	HAAK,
15	1-34-751-334	1	SHOCK ABSORBER, , Einschließlich/Includes/Avec/Inklusive/Compreso 16
16	1-34-751-335	1	SNIJRING,
17	1-34-751-336	1	SCHOKDEMPER,
18	1-34-751-337	1	SCHROEF,
19	1-34-751-338	1	SCHOKDEMPER,
20	1-34-751-339	2	LAGERBUS,
21	1-34-751-340	1	HAAK,
22	1-34-751-341	1	KLEM,
23	1-34-751-342	2	SNIJRING,
24	1-34-751-343	1	SPRING, TENSION,
25	NSS	-	NIET ALLEEN VERKRIJGBAAR,
26	1-34-751-345	2	RING,
27	1-34-751-346	1	HEFBOOM, , Einschließlich/Includes/Avec/Inklusive/Compreso 25, 26
28	NSS	-	NIET ALLEEN VERKRIJGBAAR,
29	1-34-751-348	1	HEFBOOM,
30	1-34-751-191	2	LAGER,
31	1-34-751-556	1	PIN, LARGE,
32	1-34-751-349	2	LAGERBUS,
33	1-34-751-073	4	ZWENKWIEL,
34	1-34-751-067	2	PANEELWERK,
35	1-34-751-070	1	PLAAT,
36	1-34-751-350	2	SPRING, TENSION,
37	1-34-751-080	1	PIN, LARGE,
38	1-34-751-351	1	DIPPERSTICK, , Besteht aus/Consists of/Compose de/Bestående af/È composto da 30 - 37

Ref	Onderdeelnummer	Kwt	Beschrijving
39	1-34-751-098	1	PIN, LARGE,
40	1-34-751-352	2	SLUITRING,
41	1-34-751-353	1	SHOCK ABSORBER, , Einschließlich/Includes/Avec/Inklusive/Compreso 39, 40
42	1-34-751-354	1	CRADLE,
43	NSS	-	NIET ALLEEN VERKRIJGBAAR, , Einschließlich/Includes/Avec/Inklusive/Compreso 44, 45
44	NSS	-	NIET ALLEEN VERKRIJGBAAR,
45	190003936106	2	SCHIJF, , 4,3-140HV-A3C
46	1-34-751-097	2	KLINKNAGEL,
47	1-34-751-096	1	PROFIEL,
48	1-34-751-355	1	RUBBEREN LAGERKUSSEN,
49	NSS	-	NIET ALLEEN VERKRIJGBAAR,
50	NSS	-	NIET ALLEEN VERKRIJGBAAR, , Einschließlich/Includes/Avec/Inklusive/Compreso 4 6,47,48,69
51	1-34-751-085	2	SLAT,
52	1-34-751-061	19	HOUDER,
53	NSS	-	NIET ALLEEN VERKRIJGBAAR, , Einschließlich/Includes/Avec/Inklusive/Compreso 51, 52
54	1-34-751-358	1	AS, , Besteht aus/Consists of/Compose de/Bestående af/È composto da 57, 58
55	1-34-751-062	1	SHACKLE, SPRING,
56	1-34-751-083	2	SPRING, TENSION,
57	1-34-751-077	1	MOER,
58	1-34-751-078	1	LAGERSET,
59	1-34-751-063	1	WASHER, RUBBER,
60	1-34-751-060	1	GELEIDER,
61	1-34-751-064	1	ZWENKWIEL,
62	1-34-751-076	1	PLUG,
63	1-34-751-359	1	INDICATIESTRIP,
64	1-34-751-084	1	SPRING, TENSION,
67	1-34-751-362	1	LEIBAAN,
68	1-34-751-427	1	LEIBAAN,
69	1-34-751-361	3	SCHOKDEMPER,



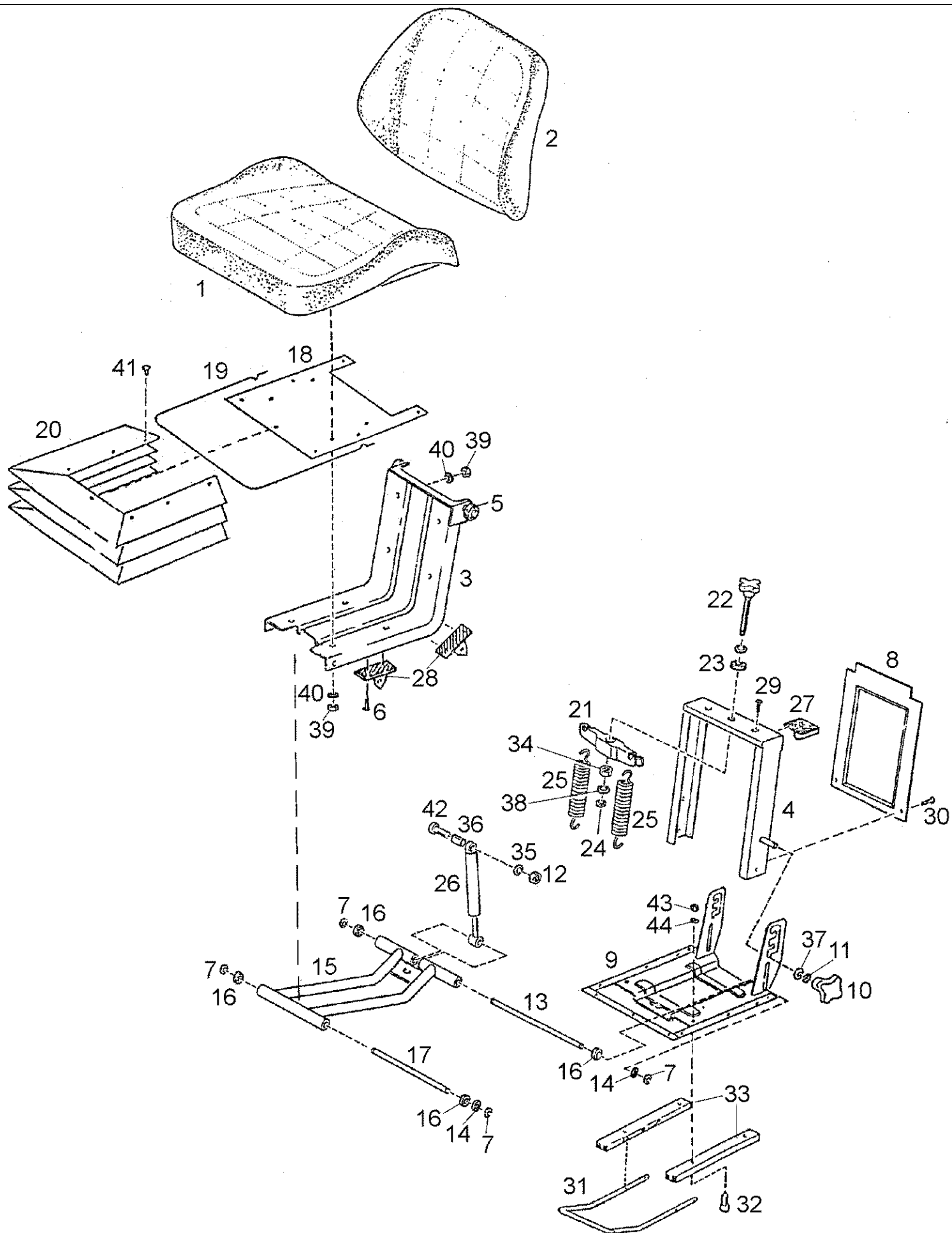
Ref	Onderdeelnummer	Kwt	Beschrijving
B	1-34-551-225	1	SEAT ASSY., , Siehe Seite(n) vorne/See Page(s) before/Voir Page/s) avant/Se side (r ) forrest/Vedere pagin(a/e) precedent(e/i)
1	1-34-751-432	1	PLAAT, GROOT,
2	1-34-751-431	1	SCHUIMRUBBER,
3	16043224	4	BOUT, Hex, M8 x 16, 8.8, Full Thd,
4	1-34-751-105	1	BOW,
5	43362	4	MOER, M8, CI 10,
7	190003932309	2	SCHIJF, , 8,4mm
8	1-34-751-383	4	SCHROEF,
9	1-34-751-362	1	LEIBAAN,
10	1-34-751-427	1	LEIBAAN,
11	1-34-751-430	1	VEILIGHEIDSGORDEL,
12	1-34-751-429	1	VEILIGHEIDSGORDEL,



Ref	Onderdeelnummer	Kwt	Beschrijving
B	1-34-551-225	1	SEAT ASSY., , Siehe Seite(n) vorne/See Page(s) before/Voir Page(s) avant/Se side (r ) forrest/Vedere pagin(a/e) precedent(e/i)
2	190003862428	6	SCHROEF, , M8x25-8.8
3	190003932309	2	SCHIJF, , 8,4mm
4	190003932311	6	SCHIJF, , 10,5-140HV-A3C
5	43362	7	MOER, M8, CI 10,
6	1-34-751-443	1	STOOTSTUK,
7	1-34-751-444	1	VEER,
10	1-34-751-330	1	SCHROEF,
11	1-34-751-445	1	SPANSTIFT,
12	1-34-751-331	1	GRIP,
13	1-34-751-442	1	SPRING, TENSION,
14	1-34-751-441	1	HAAK,
15	1-34-751-334	1	SHOCK ABSORBER,
16	1-34-751-335	1	SNIJRING,
17	1-34-751-336	1	SCHOKDEMPER,
18	1-34-751-337	1	SCHROEF,
19	1-34-751-338	1	SCHOKDEMPER,
20	1-34-751-339	2	LAGERBUS,
21	1-34-751-340	1	HAAK,
20	1-34-751-341	1	KLEM,
23	1-34-751-342	2	SNIJRING,
24	1-34-751-343	1	SPRING, TENSION,
25	1-34-751-440	1	GELEIDER,
26	1-34-751-345	2	RING,
27	1-34-751-346	1	HEFBOOM,
28	1-34-751-438	1	GELEIDER,
29	1-34-751-348	1	HEFBOOM,
30	1-34-751-643	2	LAGER, NAALD,
31	1-34-751-556	1	PIN, LARGE,
32	1-34-751-349	2	LAGERBUS,
33	1-34-751-073	4	ZWENKWIEL,
34	1-34-751-067	2	PANEELWERK,
35	1-34-751-070	1	PLAAT,
36	1-34-751-350	2	SPRING, TENSION,
37	1-34-751-080	1	PIN, LARGE,
38	1-34-751-351	1	DIPPERSTICK,
39	1-34-751-098	1	PIN, LARGE,
40	190003936614	2	SLUITRING, , 5-A3C
41	1-34-751-353	1	SHOCK ABSORBER,
42	1-34-751-354	1	CRADLE,

Ref	Onderdeelnummer	Kwt	Beschrijving
43	1-34-751-437	2	BUFFER, RUBBER,
44	1-34-751-436	2	KLINKNAGEL,
45	190003936106	2	SCHIJF, , 4,3-140HV-A3C
46	1-34-751-439	2	KLINKNAGEL,
47	1-34-751-096	1	PROFIEL,
48	1-34-751-355	1	RUBBEREN LAGERKUSSEN,
49	1-34-751-435	1	SCHOKDEMPER,
50	1-34-751-434	1	VEER,
51	1-34-751-085	2	SLAT,
52	1-34-751-061	22	HOUDER,
53	1-34-751-433	1	BLAASBALG,
54	1-34-751-358	1	AS,
55	1-34-751-062	1	SHACKLE, SPRING,
56	1-34-751-083	2	SPRING, TENSION,
57	1-34-751-077	1	MOER,
58	1-34-751-078	1	LAGERSET,
59	1-34-751-063	1	WASHER, RUBBER,
60	1-34-751-060	1	GELEIDER,
61	1-34-751-064	1	ZWENKWIEL,
62	1-34-751-076	1	PLUG,
63	1-34-751-359	1	INDICATIESTRIP,
64	1-34-751-084	1	SPRING, TENSION,
67	1-34-751-362	1	LEIBAAN,
68	1-34-751-427	1	LEIBAAN,
69	1-34-751-361	1	SCHOKDEMPER,

09B-51(01) DRIVER'S SEAT "C" (KLEPP) - DISASSEMBLED





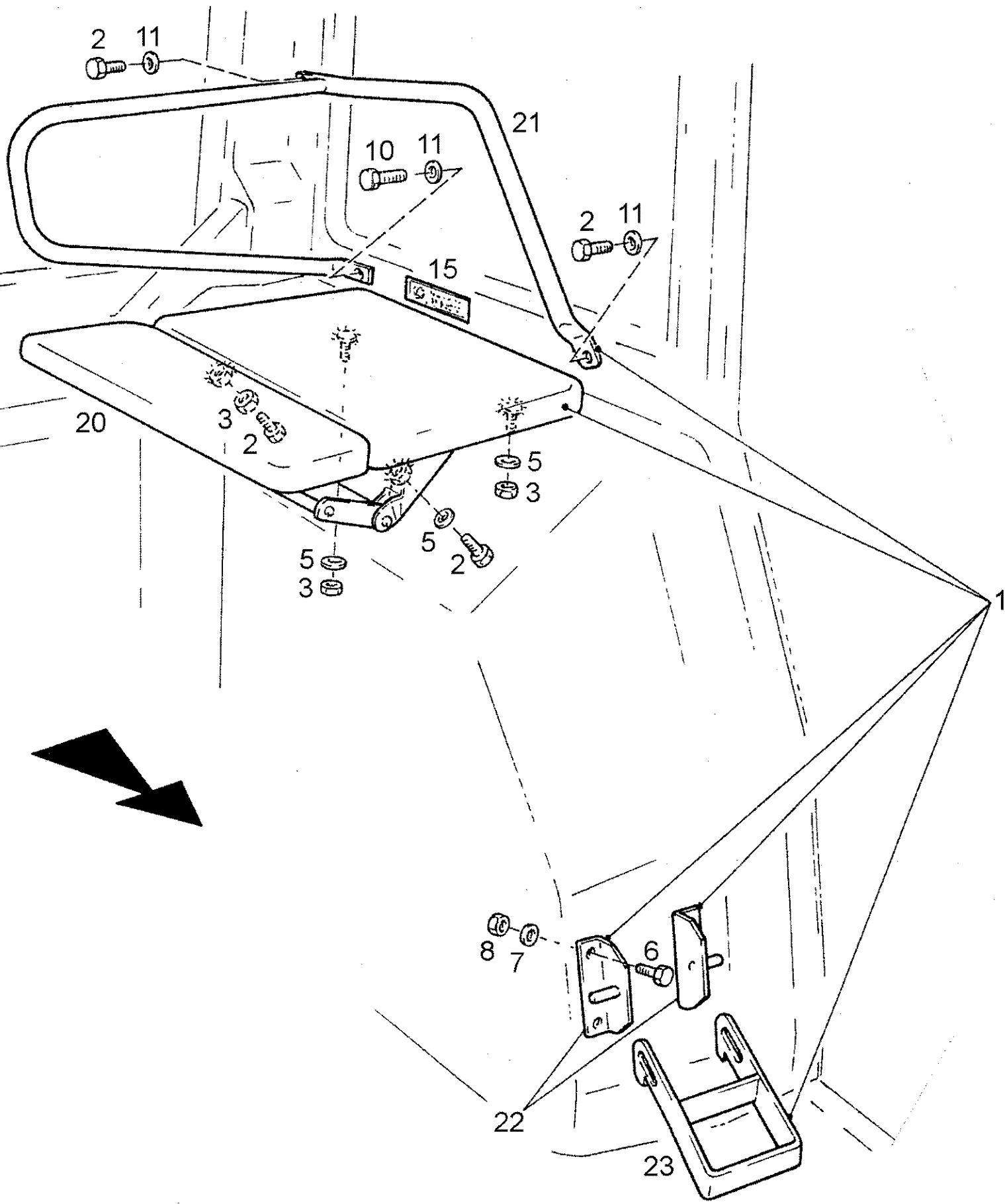
## 09B-51(01) DRIVER'S SEAT "C" (KLEPP) - DISASSEMBLED

Ref	Onderdeelnummer	Kwt	Beschrijving
C	1-34-551-056	1	SPIE, , Besteht aus/Consists of/Compose de/Bestående af/È composto da 1 - 44
1	1-34-751-580	1	SPIE,
2	1-34-751-581	1	BACKREST,
3	1-34-751-019	1	ONDERSTEL, BESTUURDERSSTO,
4		1	RAHMEN
5	1-34-751-025	2	GELEIDER,
6	NSS	-	NIET ALLEEN VERKRIJGBAAR,
7	190003936617	4	SLUITRING, , 9-A3C
8	1-34-751-026	1	COVER, PROTECTIVE,
9	1-34-751-038	1	BASIS,
10	1-34-751-041	2	HENDEL,
11	190003932016	2	WASHER, SPRING, , B12-FST-A3C
12	1-34-751-042	1	MOER,
13	1-34-751-047	1	AS,
14	190003932334	2	SCHIJF, , 13-140HV-A3C
15	1-34-751-049	1	LINK, UPPER,
16	1-34-751-258	4	PLATE, PLASTIC,
17	1-34-751-050	1	AS,
18	1-34-751-245	1	BLAASBALG,
19	1-34-751-244	3	BAIL,
20	1-34-751-051	1	BLAASBALG,
21	1-34-751-052	1	VEER,
22	1-34-751-053	1	SPINDLE,
23	1-34-751-258	1	PLATE, PLASTIC,
24	190003936617	1	SLUITRING, , 9-A3C
25	1-34-751-054	2	SPRING, TENSION,
26	1-34-751-055	1	SHOCK ABSORBER,
27	1-34-751-577	2	STOOTSTUK,
28	1-34-751-578	2	STOOTSTUK,
29	1-34-751-272	2	KLINKNAGEL,
30	1-34-751-273	2	KLINKNAGEL,
31	1-34-751-266	1	HEFBOOM, , Nr.6
32	190003862419	4	SCHROEF, , M8x16-8.8
33	1-34-751-265	2	RAIL,
34	337475	1	MOER, M12, CI 10,
35	190003935471	1	SLUITRING, , A10,5-A3C
36	1-34-751-274	1	OPVULPIJP,
37	1-34-751-275	2	SCHIJF,
38	1-34-751-254	1	AFSTANDSSTUK VOOR BUIZEN,
39	15896221	5	MOER, M6, CI 10, , M6-8-A2C, DIN934
40	190003935471	4	SLUITRING, , A10,5-A3C

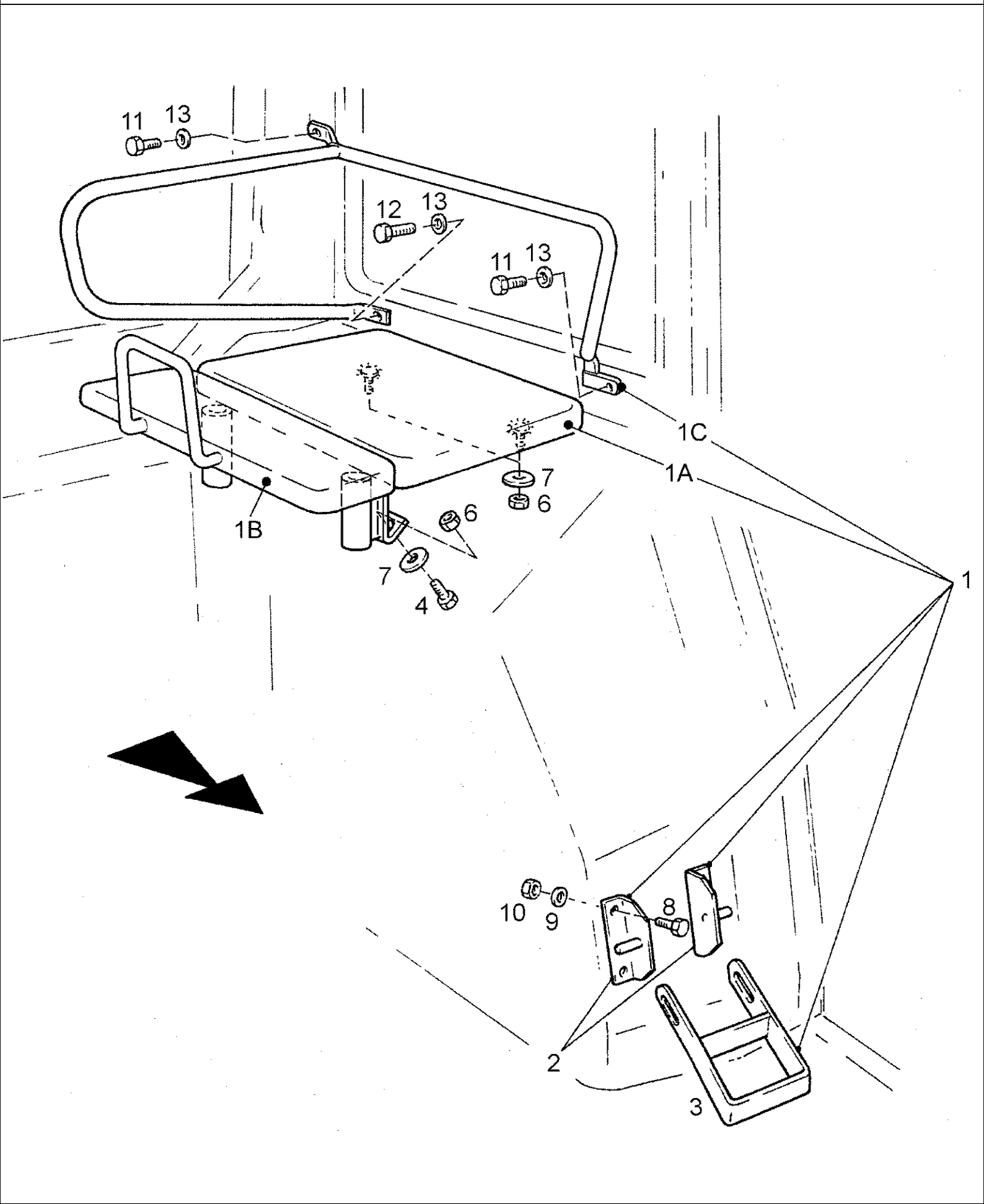
M968 STEYR TRACTOR / --->04939 (6/97-3/99) - Chassis/Accessoires

09B-51(01) DRIVER'S SEAT "C" (KLEPP) - DISASSEMBLED

Ref	Onderdeelnummer	Kwt	Beschrijving
41	1-34-751-276	22	KLINKNAGEL,
42	190003802527	1	SCHROEF, , M10x30-8.8
43	43362	4	MOER, M8, CI 10,
44	190003935469	4	SLUITRING, , A8,2-A3C

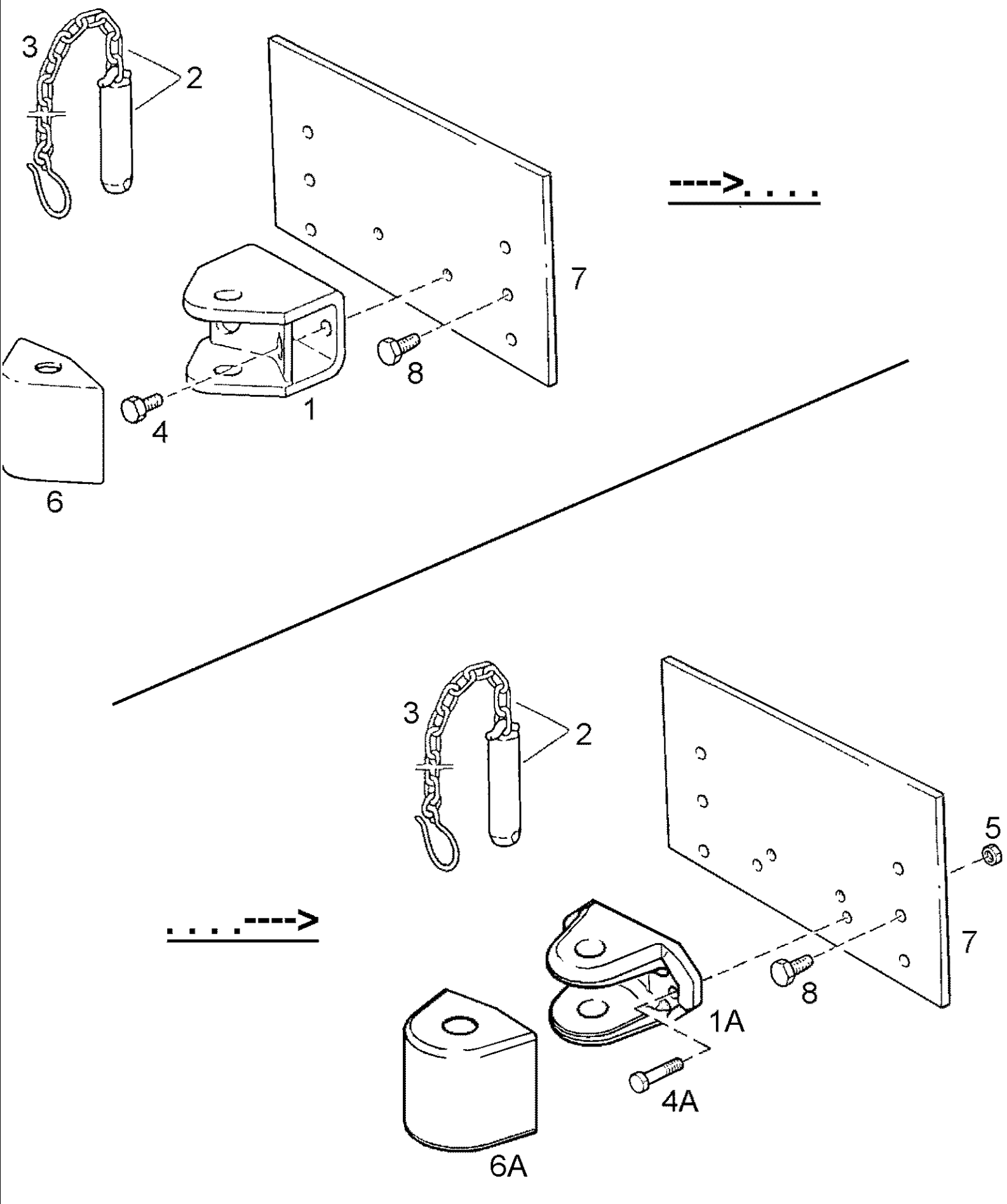


Ref	Onderdeelnummer	Kwt	Beschrijving
1	1-34-552-100	1	SPIE, , Besteht aus/Consists of/Compose de/Bestående af/È composto da 20 - 23
2	16043224	4	BOUT, Hex, M8 x 16, 8.8, Full Thd,
3	43362	2	MOER, M8, CI 10,
5	190003936103	4	SLUITRING, , 8,4-140HV-A3C-DIN9021
6	190003825331	4	SCHROEF, , M6x20
7	190003932612	4	SCHIJF, , R6,6-100HV-A3
8	15896221	4	MOER, M6, CI 10, , M6-8-A2C, DIN934
10	43127	1	BOUT, Hex, M8 x 25, 8.8,
11	190003930261	3	SLUITRING, , A8,4
15	1-34-552-001	1	PLAAT, GROOT,
20	1-34-552-101	1	SPIE,
21	1-34-552-102	1	STEUNBEUGEL,
22	1-34-552-103	1	HOEKSTUK,
23	1-34-552-104	1	VOET,



Ref	Onderdeelnummer	Kwt	Beschrijving
1	1-34-552-210	1	PASSAGIERSZETEL, , Einschließlich/Includes/Avec/Inklusive/Compreso 2, 3
1A	1-34-552-203	1	STEUN,
1B	1-34-552-211	1	PASSAGIERSZETEL,
1C	1-34-552-202	1	ACHTERKANT,
2	1-34-552-103	1	HOEKSTUK,
3	1-34-552-104	1	VOET,
4	16043224	2	BOUW, Hex, M8 x 16, 8.8, Full Thd,
6	43362	2	MOER, M8, CI 10,
7	190003936103	4	SLUITRING, , 8,4-140HV-A3C-DIN9021
8	190003825331	4	SCHROEF, , M6x20
9	190003932612	4	SCHIJF, , R6,6-100HV-A3
10	15896221	4	MOER, M6, CI 10, , M6-8-A2C, DIN934
11	16043224	2	BOUW, Hex, M8 x 16, 8.8, Full Thd,
12	43127	1	BOUW, Hex, M8 x 25, 8.8,
13	190003930261	3	SLUITRING, , A8,4

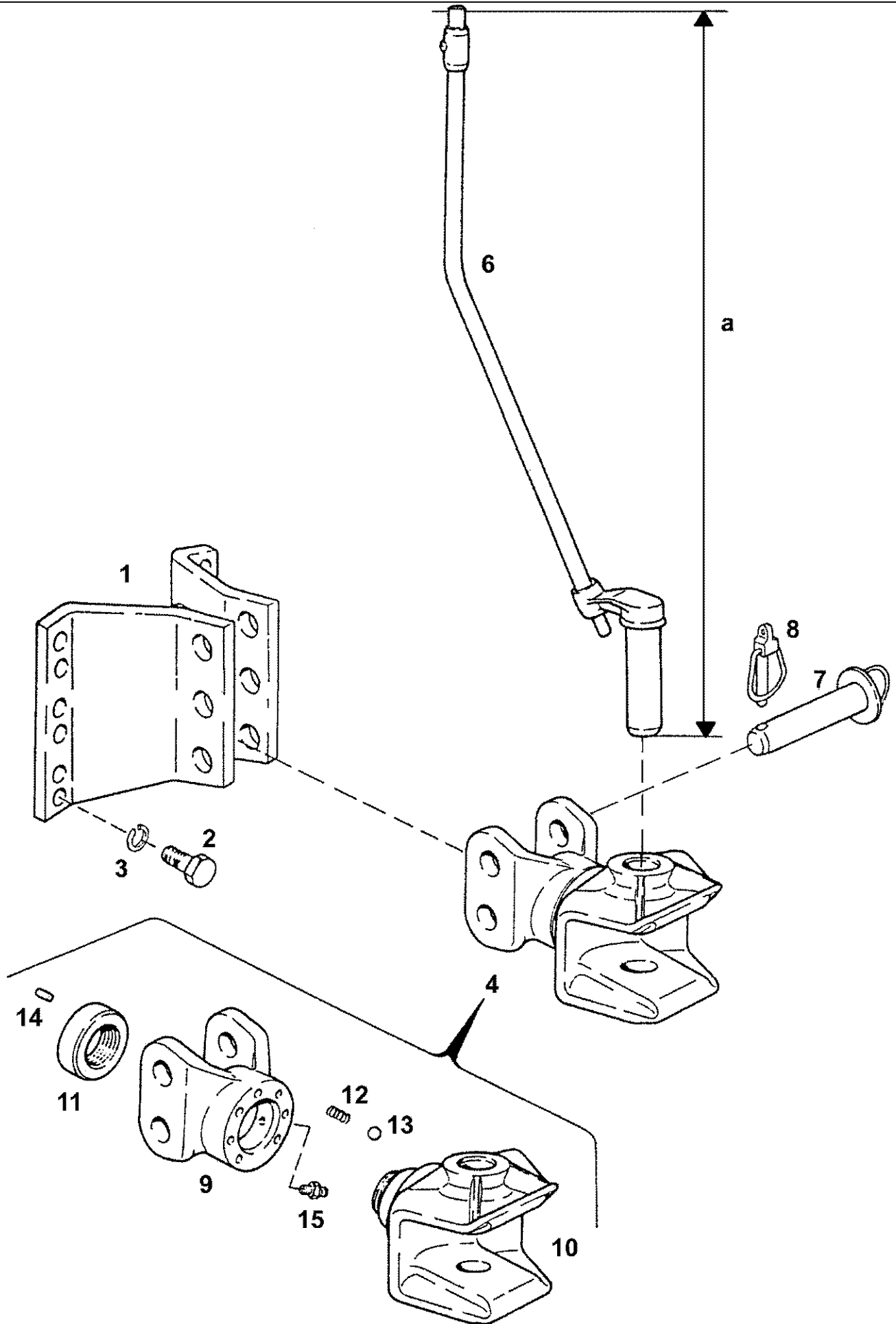
09C-01(01) FRONT HITCH DEVICE



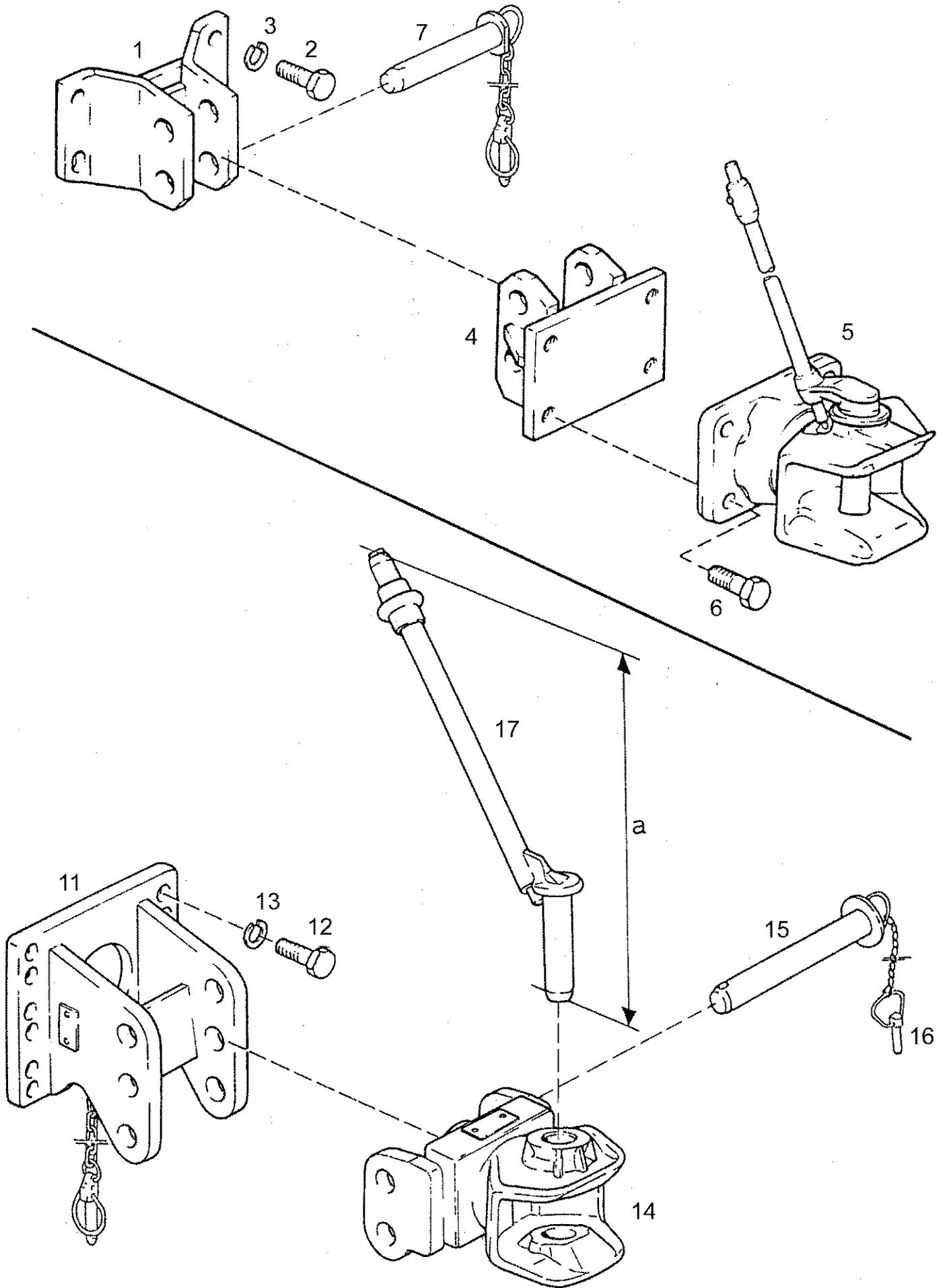
## 09C-01(01) FRONT HITCH DEVICE

Ref	Onderdeelnummer	Kwt	Beschrijving
1	133700930008	1	TREKHAAK,
1A	1-33-161-198	1	TREKHAAK,
2	1292930028	1	PIN, LARGE, , Einschließlich/Includes/Avec/Inklusive/Compreso 3
3	1292930003	1	KETTING,
4	190003802724	2	SCHROEF, , M14x30-8.8
4A	190003801230	2	SCHROEF, , M14x60-8.8
5	190003871329	2	MOER,
6	133700930012	1	FAIRING, LIGHT,
6A	1-33-161-406	1	DEKSEL,
7	1-33-241-032	1	VOORPLAAT,
8	43167	6	BOUT, Hex, M16 x 30, 8.8, Full Thd, , M16x30-8.8



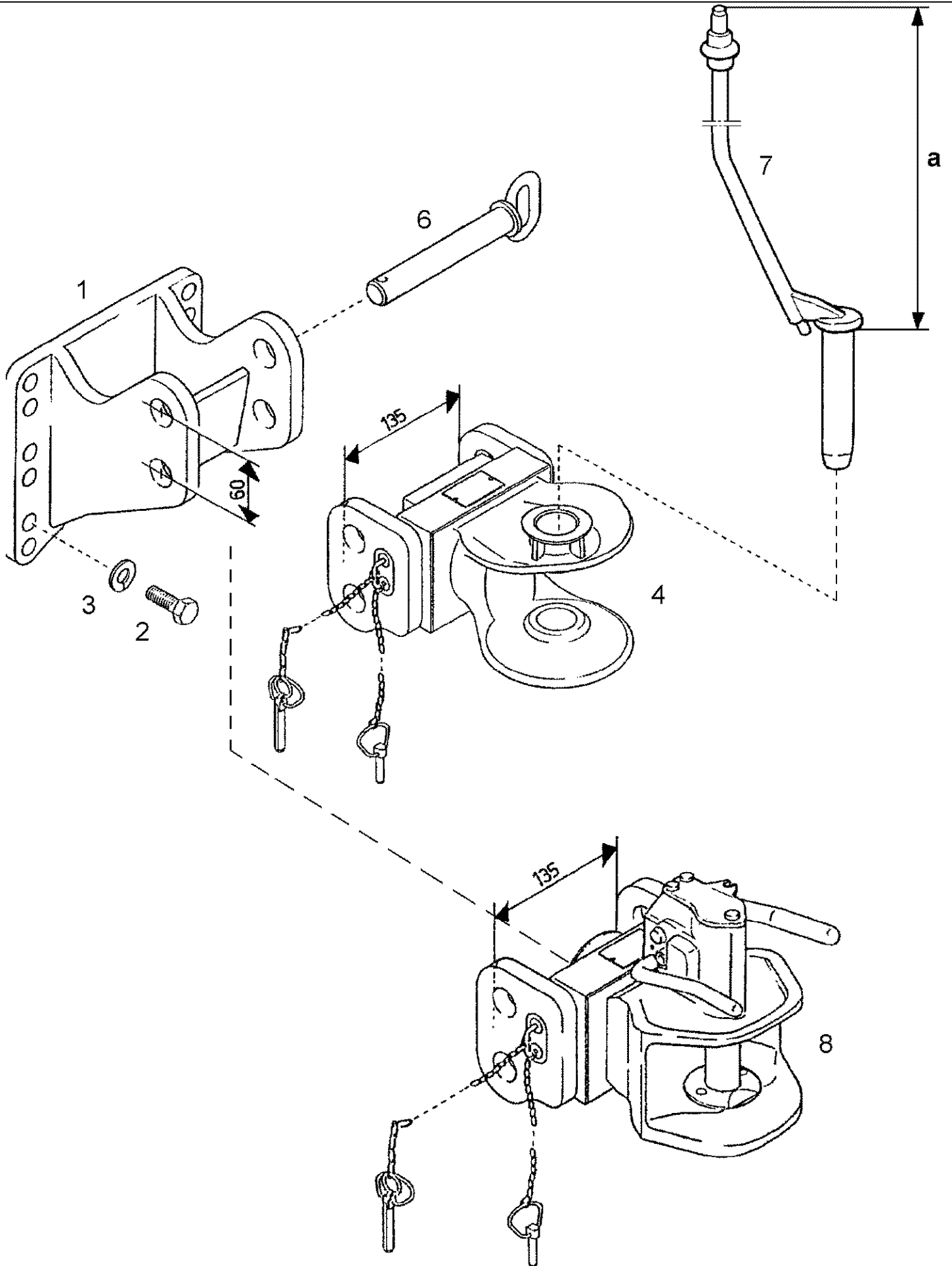


Ref	Onderdeelnummer	Kwt	Beschrijving
1	135700930051	1	BRACKET, HITCH,
2	11115631	6	BOUT, Hex, M14 x 35, 10.9, Full Thd, , M14x35-10.9
3	190003931162	6	BORGRING, , A14
4	1295930003	1	KOPPELING, , Besteht aus/Consists of/Compose de/Bestående af/È composto da 9 - 15
6	133700930080	1	PIN, HITCH, , a = 530mm
7	135700930061	2	PEN,
8	180740235	2	PIN, LARGE,
9	1288930209	1	CRADLE,
10	1295930002	1	BRACKET, HITCH,
11	1288930122	1	RING,
12	11800240023	7	VEER,
13	190003330183	7	KOGEL, , Ø10mm
14	190003904248	1	PEN, , 6x10
15	190003963112	1	SMEERNIPPEL, , AM8x1



Ref	Onderdeelnummer	Kwt	Beschrijving
1	1288930217	1	STEUN,
2	11115631	4	BOUT, Hex, M14 x 35, 10.9, Full Thd, , M14x35-10.9
3	190003931162	4	BORGRING, , A14
4	1288930242	1	SPARE PART, KONSOLE
5	133700930030	1	NO DESCRIPTION, ANHÄNGEKUPPLUNG
6	280854	4	BOUT, Hex, M14 x 35, 8.8, Full Thd, , M14x35-8.8
7	135700930068	2	PIN, LARGE, , Einschließlich/Includes/Avec/Inklusive/Compreso 8
8	180740192	2	PIN, LARGE,
11	133700930106	1	SUPPORT,
12	11115631	6	BOUT, Hex, M14 x 35, 10.9, Full Thd, , M14x35-10.9
13	190003931162	6	BORGRING, , A14
14	133700930108	1	HITCH ASSY, TRAILER,
15	155700930020	1	PIN, LARGE, , Einschließlich/Includes/Avec/Inklusive/Compreso 16
16	180740192	1	PIN, LARGE,
17	133700930081	1	PIN, HITCH, , a = 350mm

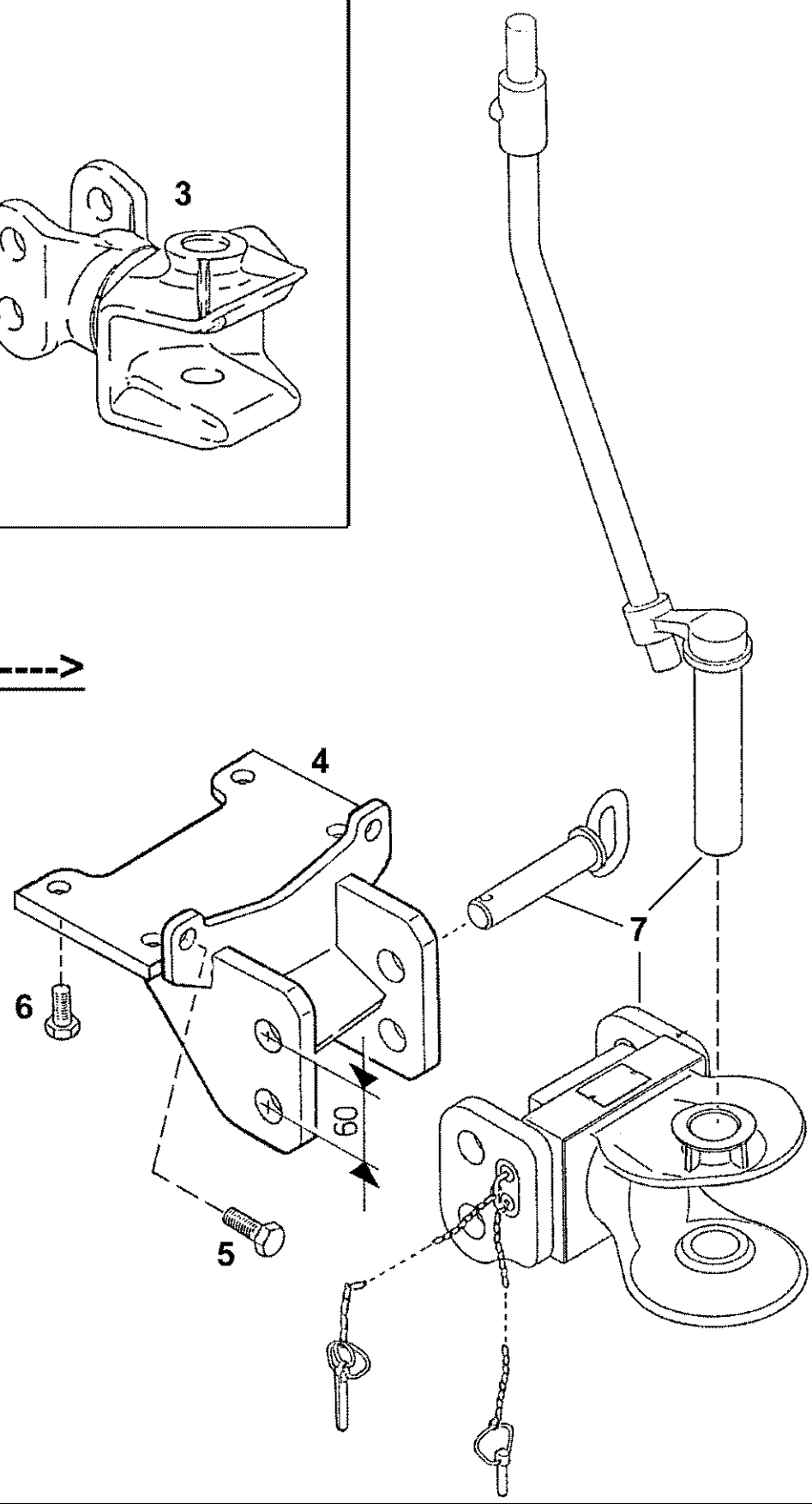
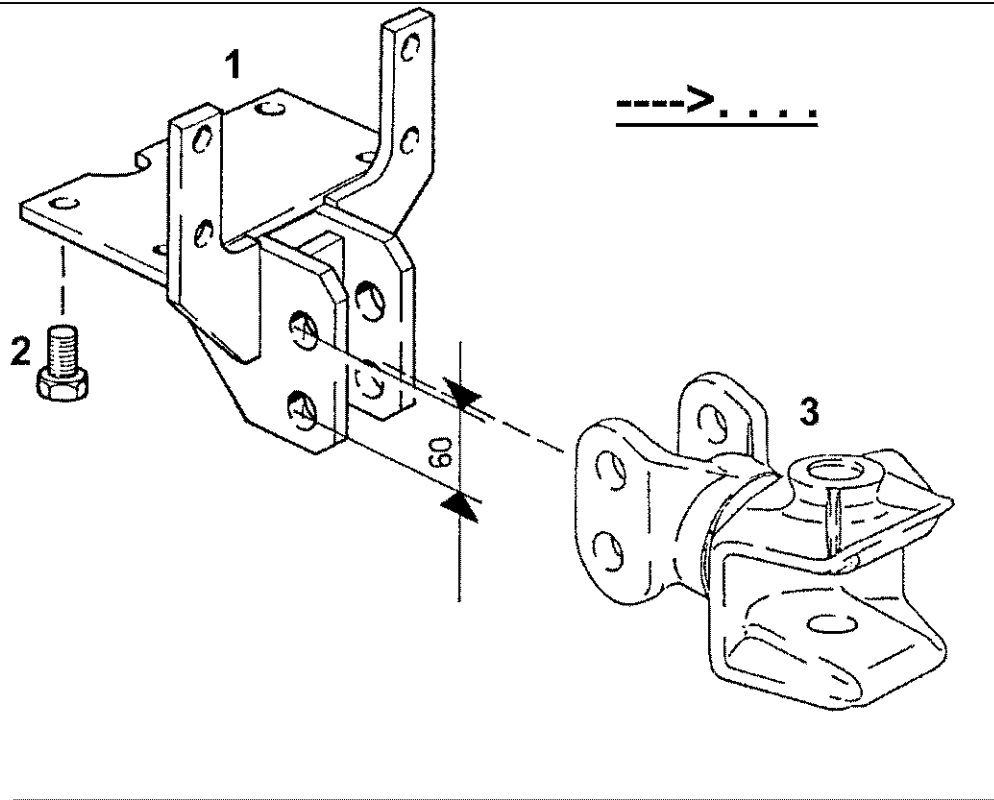
09C-04(01) TRAILER HITCH, WIDE



## 09C-04(01) TRAILER HITCH, WIDE

Ref	Onderdeelnummer	Kwt	Beschrijving
1	133700930110	1	TREKSTANGSTEUN,
2	11115631	6	BOUT, Hex, M14 x 35, 10.9, Full Thd, , M14x35-10.9
3	190003931162	6	BORGRING, , A14
4	133700930111	1	HITCH ASSY, TRAILER,
6	155700930018	2	PIN, LARGE,
7	133700930081	1	PIN, HITCH, , a = 350mm
8	1-32-293-007	1	HITCH ASSY,

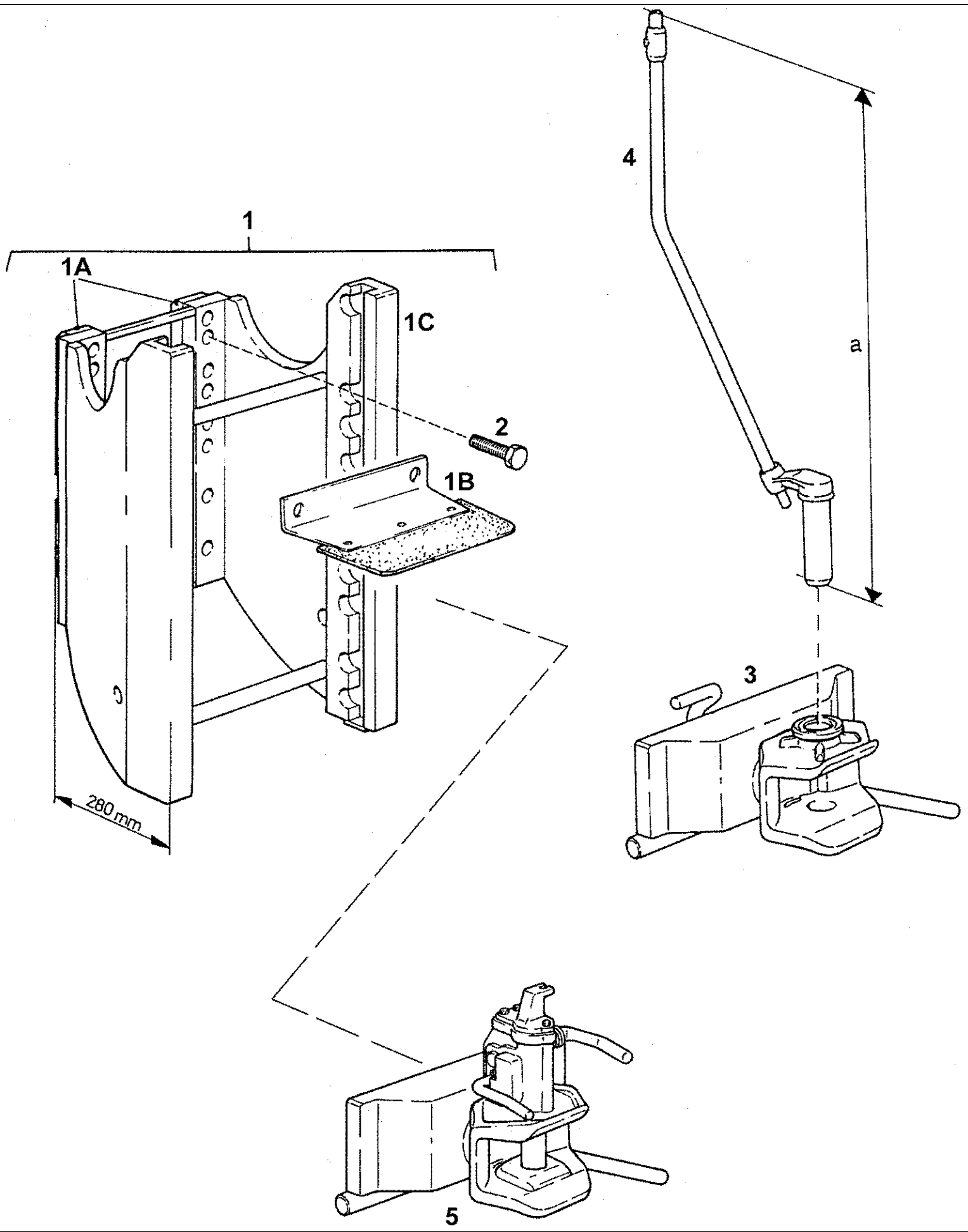
09C-05(01) LOWER BEARING BRACKET



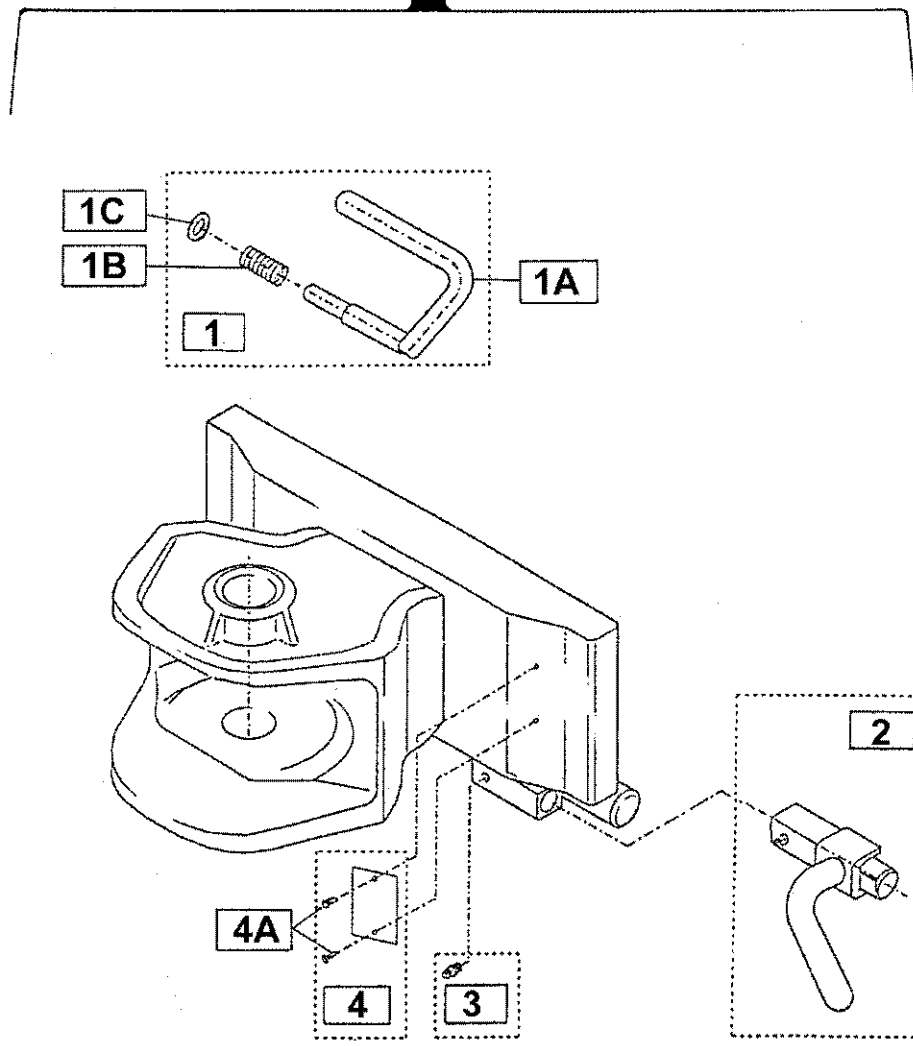
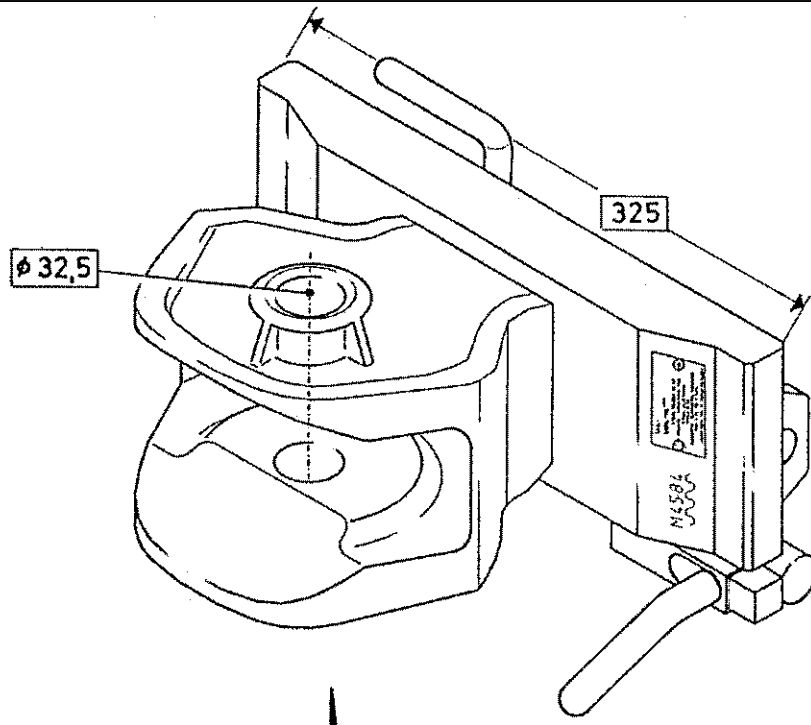
## 09C-05(01) LOWER BEARING BRACKET

Ref	Onderdeelnummer	Kwt	Beschrijving
1	133700930015	1	SUPPORT, , ---->. . . .
2	190003802724	8	SCHROEF, , M14x30-8.8
3	REF	-	INSTRUCTION, , Siehe Seite(n) vorne/See Page(s) before/Voir Page/s) avant/Se side (r ) forrest/Vedere pagin(a/e) precedent(e/i)
4	1-32-293-008	1	TREKSTANGSTEUN, , . . . .---->
5	190003802714	2	SCHROEF, Hex, M14 x 25, 8.8, , M14x25-8.8
6	190003802728	4	SCHROEF, , M14x30 10.9
7	REF	-	INSTRUCTION, , Siehe Seite(n) vorne/See Page(s) before/Voir Page/s) avant/Se side (r ) forrest/Vedere pagin(a/e) precedent(e/i)

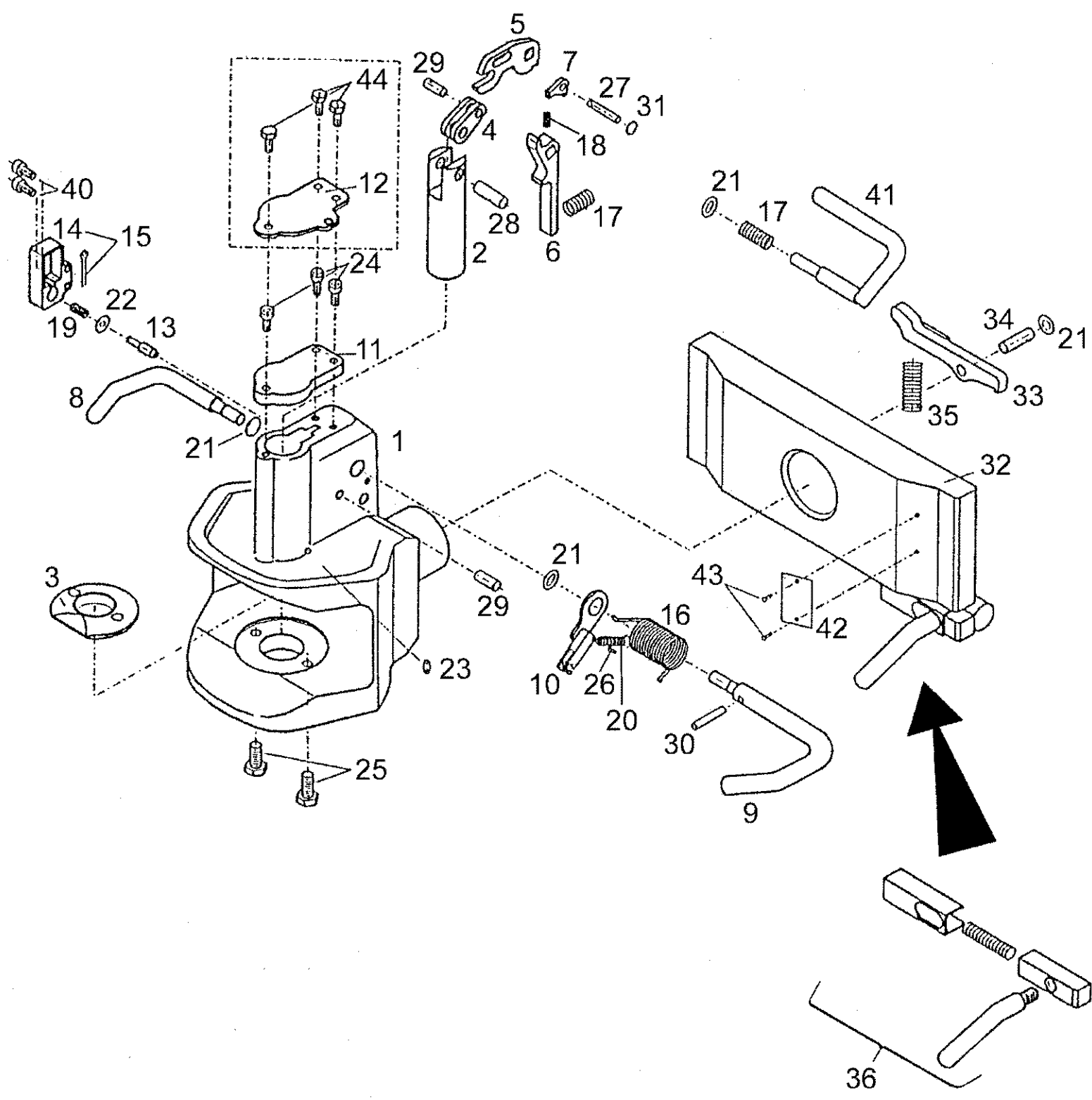




Ref	Onderdeelnummer	Kwt	Beschrijving
1	133700930082	1	HITCH ASSY, TRAILER, , Besteht aus/Consists of/Compose de/Bestående af/È composto da 1A - 1C
1A	133700930751	2	BASIS,
1B	133700930752	1	AFTAKAS,
1C	NSS	-	NIET ALLEEN VERKRIJGBAAR,
2	190003800489	10	SCHROEF, , M14x65-10.9
3	155700930013	1	TREKHAAK, , Siehe nächste Seite(n)/See next page(s)/Voir page(s) suivante(s)/Se næste side (r )/Vedere pagin(a/e) sequent(e/i)
4	133700930080	1	PIN, HITCH, , a = 530mm
5	133700930084	1	HITCH ASSY, TRAILER, , Siehe nächste Seite(n)/See next page(s)/Voir page(s) suivante(s)/Se næste side (r )/Vedere pagin(a/e) sequent(e/i)



Ref	Onderdeelnummer	Kwt	Beschrijving
	155700930013	1	TREKHAAK,
1	REF	-	INSTRUCTION, , Besteht aus/Consists of/Compose de/Bestående af/È composto da 1A - 1C
1A	133700930800	1	GRIP,
1B	133700930793	1	SPRING, COMPRESSION,
1C	133700930795	1	SNIJRING,
2	133700930739	1	VERGRENDELING,
3	190003963106	1	SMEERNIPPEL, M6 x 1, , AM6
4	REF	-	INSTRUCTION, , Einschließlich/Includes/Avec/Inklusive/Compreso 4A
4A	190003904536	21	PIN , HEADLESS, , 3x6

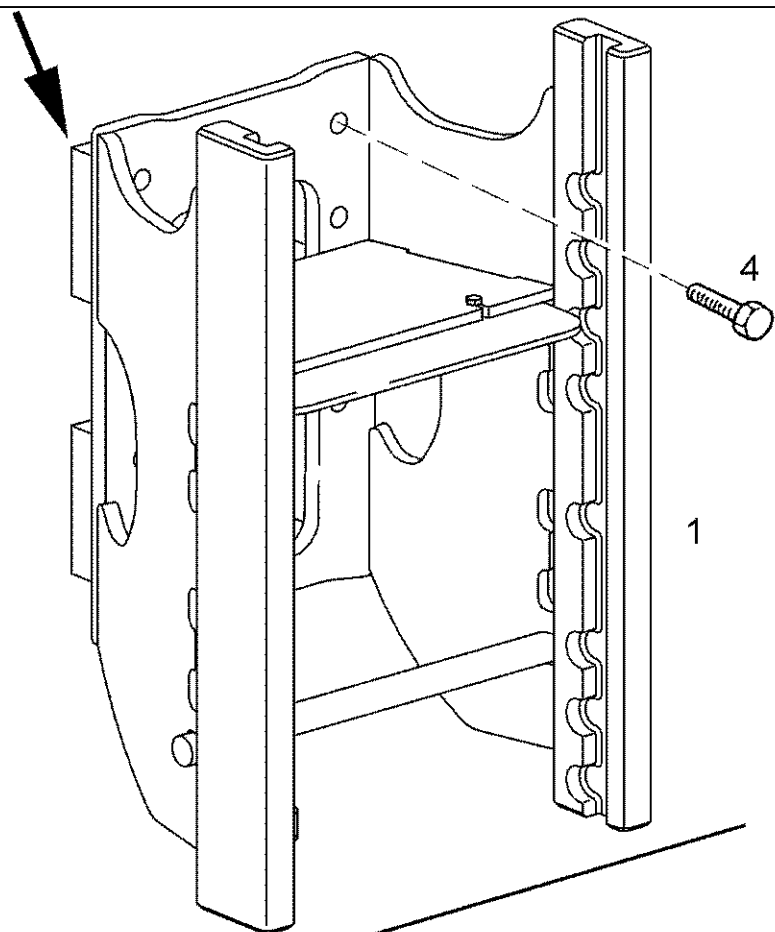


Ref	Onderdeelnummer	Kwt	Beschrijving
	133700930084	1	HITCH ASSY, TRAILER, , Besteht aus/Consists of/Compose de/Bestående af/È composto da 1 - 44
1	NSS	-	NIET ALLEEN VERKRIJGBAAR,
2	NSS	-	NIET ALLEEN VERKRIJGBAAR,
3	133700930801	1	LAGERBUS,
4	133700930788	1	LINK ASSY.,
5	133700930789	1	HEFBOOM,
6	133700930790	1	HAAK,
7	133700930791	1	PAL,
8	133700930737	1	SCHAKELAAR,
9	133700930738	1	GRIP,
10	NSS	-	NIET ALLEEN VERKRIJGBAAR,
11	133700930804	1	COVER,
12	NSS	-	NIET ALLEEN VERKRIJGBAAR,
13	NSS	-	NIET ALLEEN VERKRIJGBAAR,
14	NSS	-	NIET ALLEEN VERKRIJGBAAR,
15	NSS	-	NIET ALLEEN VERKRIJGBAAR,
16	133700930792	1	VEER,
17	133700930793	1	SPRING, COMPRESSION,
18	133700930794	1	SPRING, COMPRESSION,
19	NSS	-	NIET ALLEEN VERKRIJGBAAR,
20	133700930802	1	SPRING, TENSION,
21	133700930795	2	SNIJRING,
22	NSS	-	NIET ALLEEN VERKRIJGBAAR,
23	190003963106	1	SMEERNIPPEL, M6 x 1, , AM6
24	190003862096	3	SCHROEF, , M6x12-8.8-A2C
25	120104	2	BOUW, Hex, M8 x 20, 8.8,
26	190003900045	1	PEN, , 3M6x10
27	133700930796	1	PIN, LARGE,
28	133700930797	1	PIN, LARGE,
29	133700930798	3	PIN, LARGE,
30	NSS	-	NIET ALLEEN VERKRIJGBAAR,
31	133700930799	1	SNIJRING,
32	NSS	-	NIET ALLEEN VERKRIJGBAAR,
33	NSS	-	NIET ALLEEN VERKRIJGBAAR,
34	NSS	-	NIET ALLEEN VERKRIJGBAAR,
35	NSS	-	NIET ALLEEN VERKRIJGBAAR,
36	133700930739	1	VERGRENDELING,
40	190003862310	2	SCHROEF, , M6x12-8.8-A2R
41	133700930800	1	GRIP,
42	NSS	-	NIET ALLEEN VERKRIJGBAAR,
43	190003904536	2	PIN , HEADLESS, , 3x6

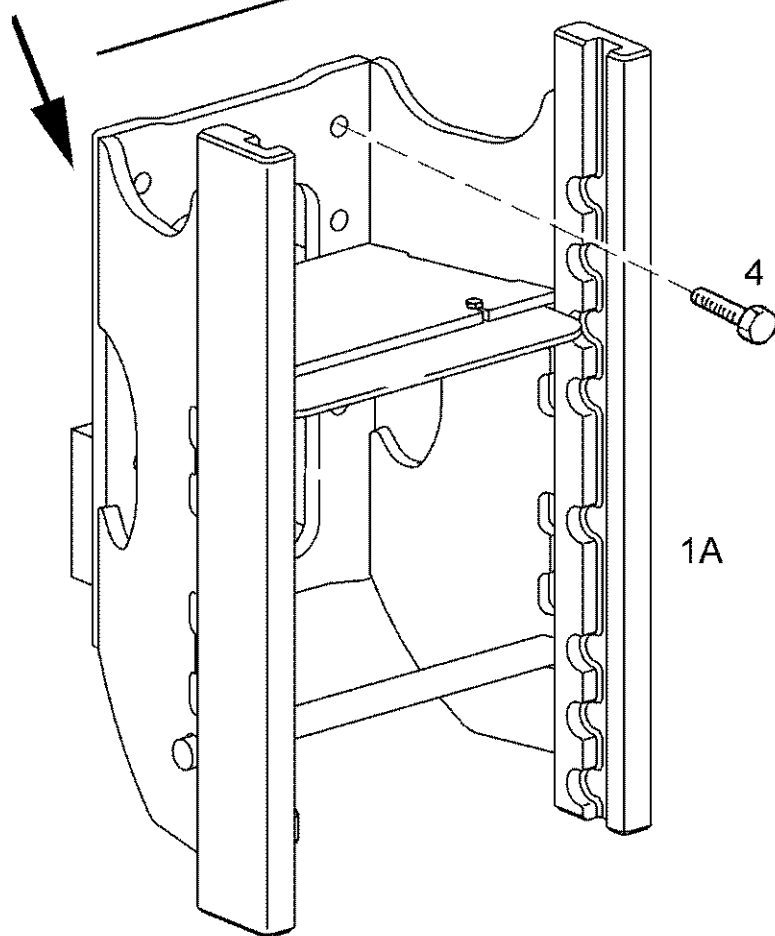
M968 STEYR TRACTOR / --->04939 (6/97-3/99) - Chassis/Accessoires

09C-08(01) TRAILER HITCH, AUTOMATIC / ---->. . . .

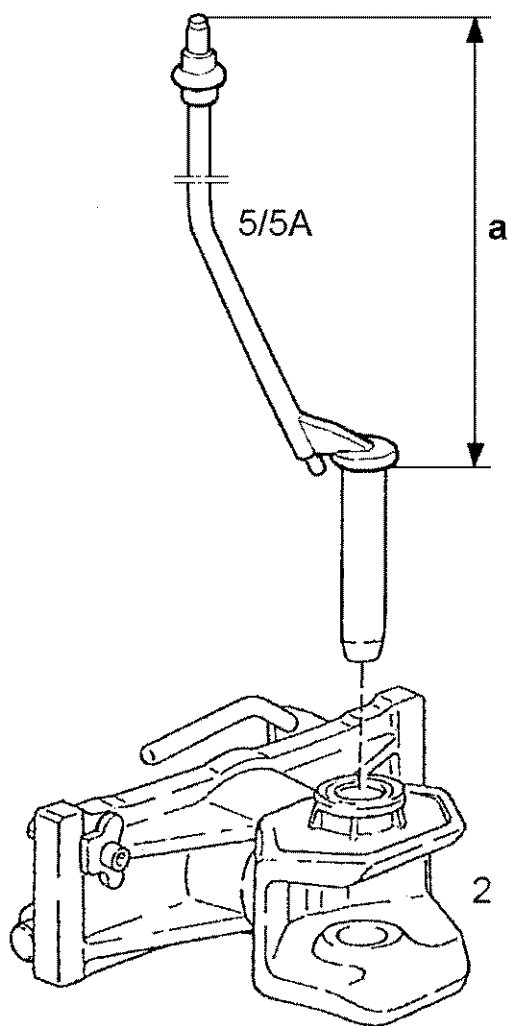
Ref	Onderdeelnummer	Kwt	Beschrijving
44	86508568	3	BOUT, Hex, M6 x 16, 8.8,



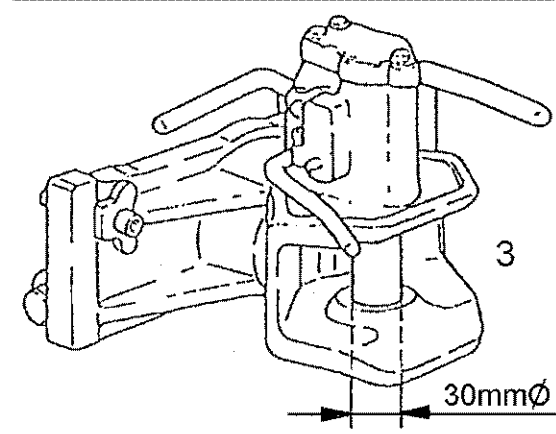
1



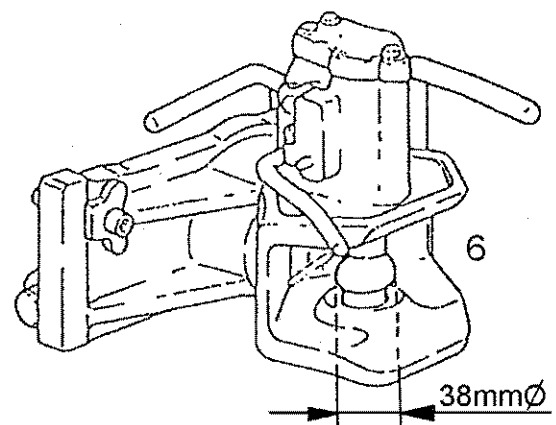
1A



2



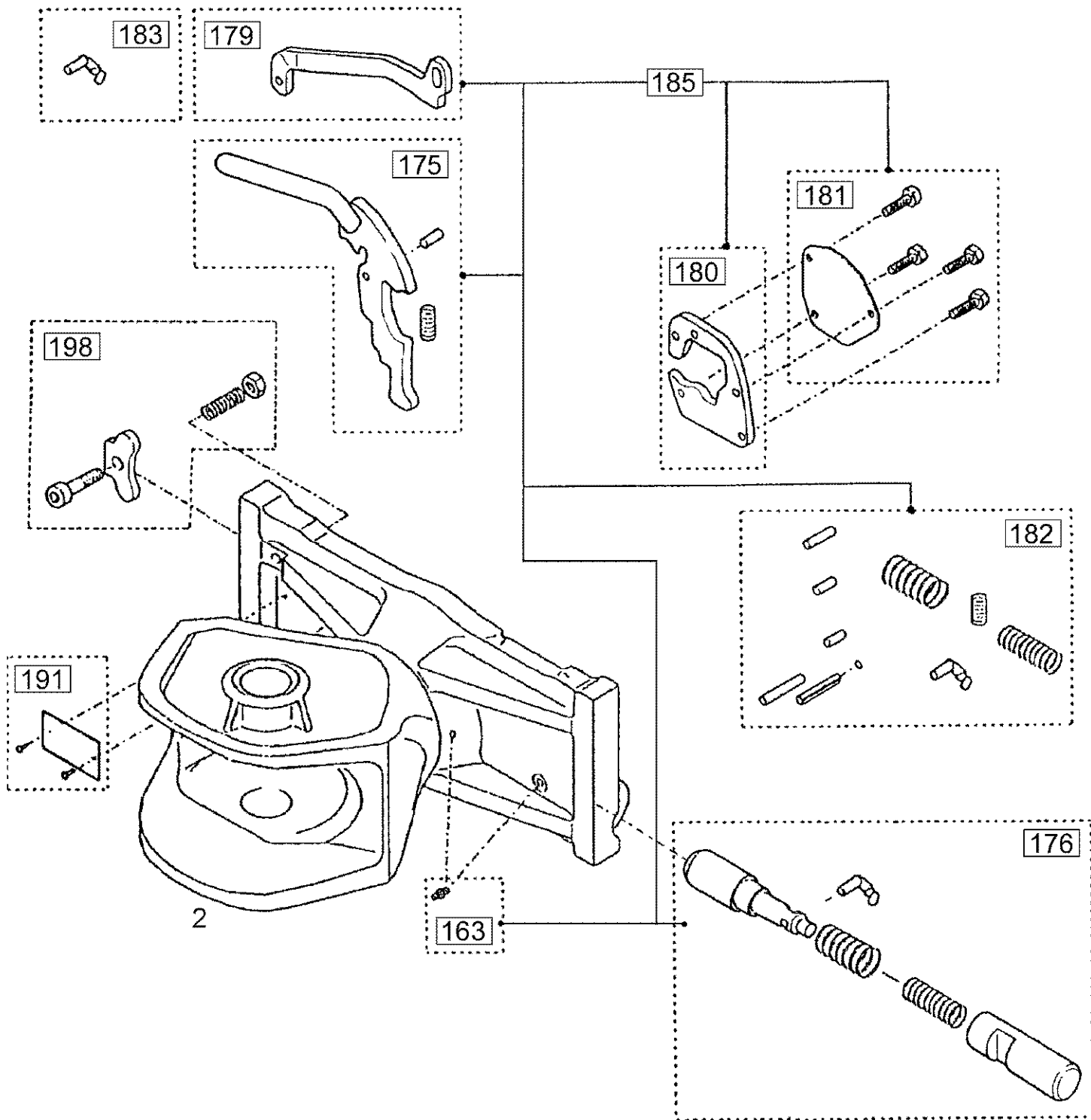
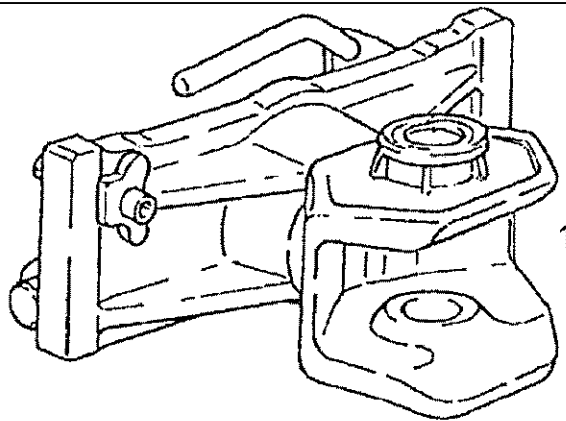
3



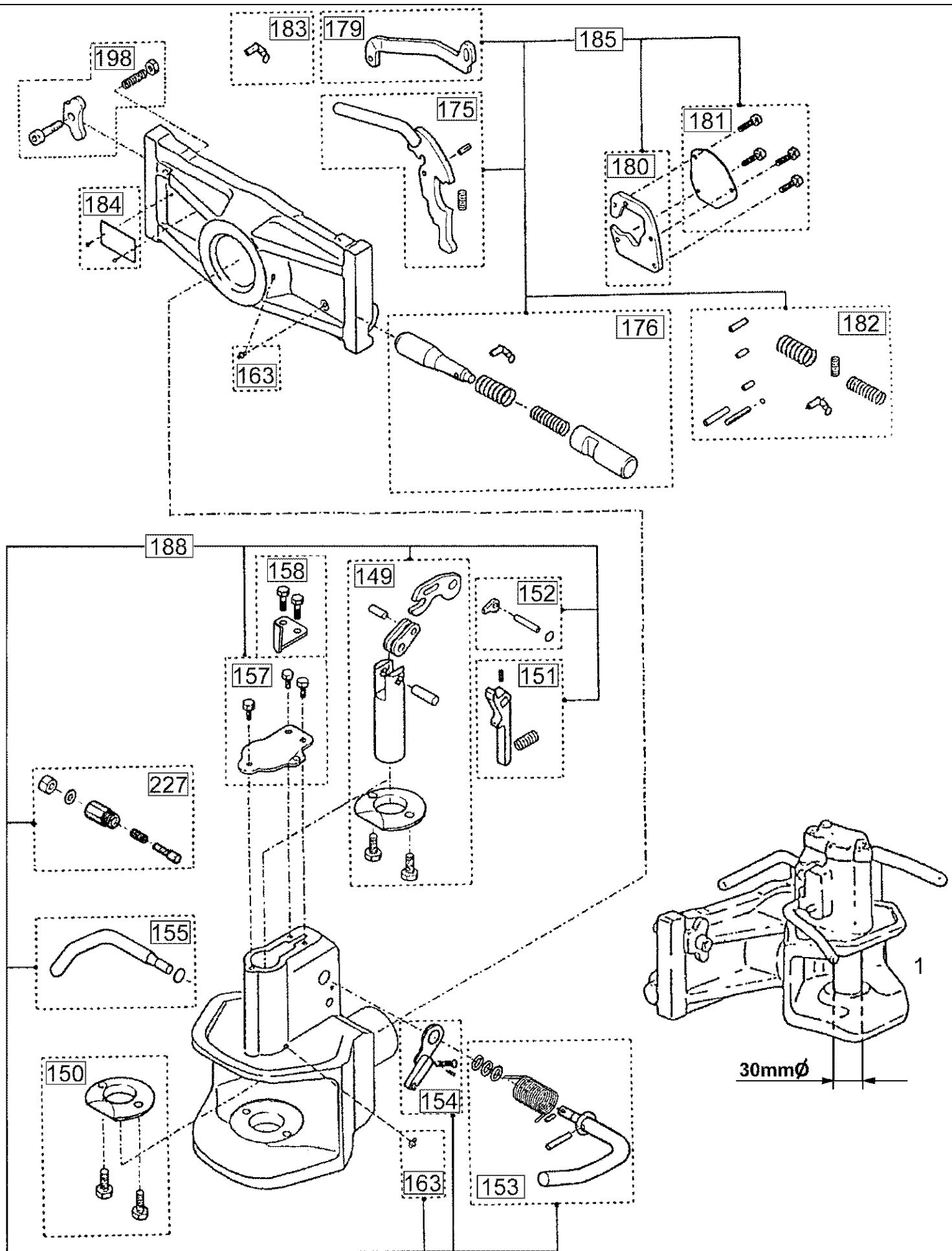
6



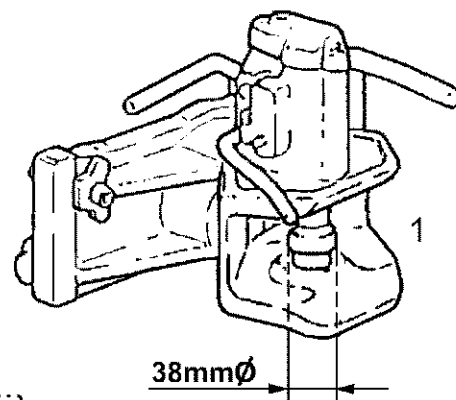
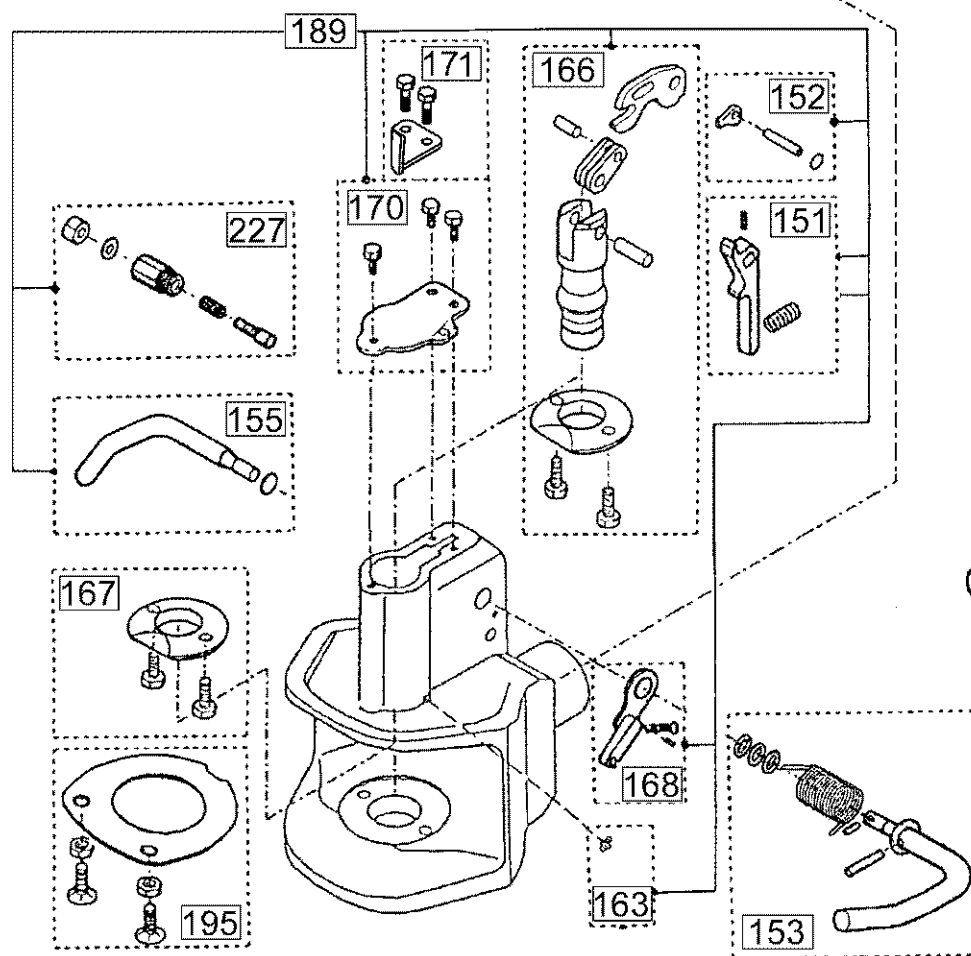
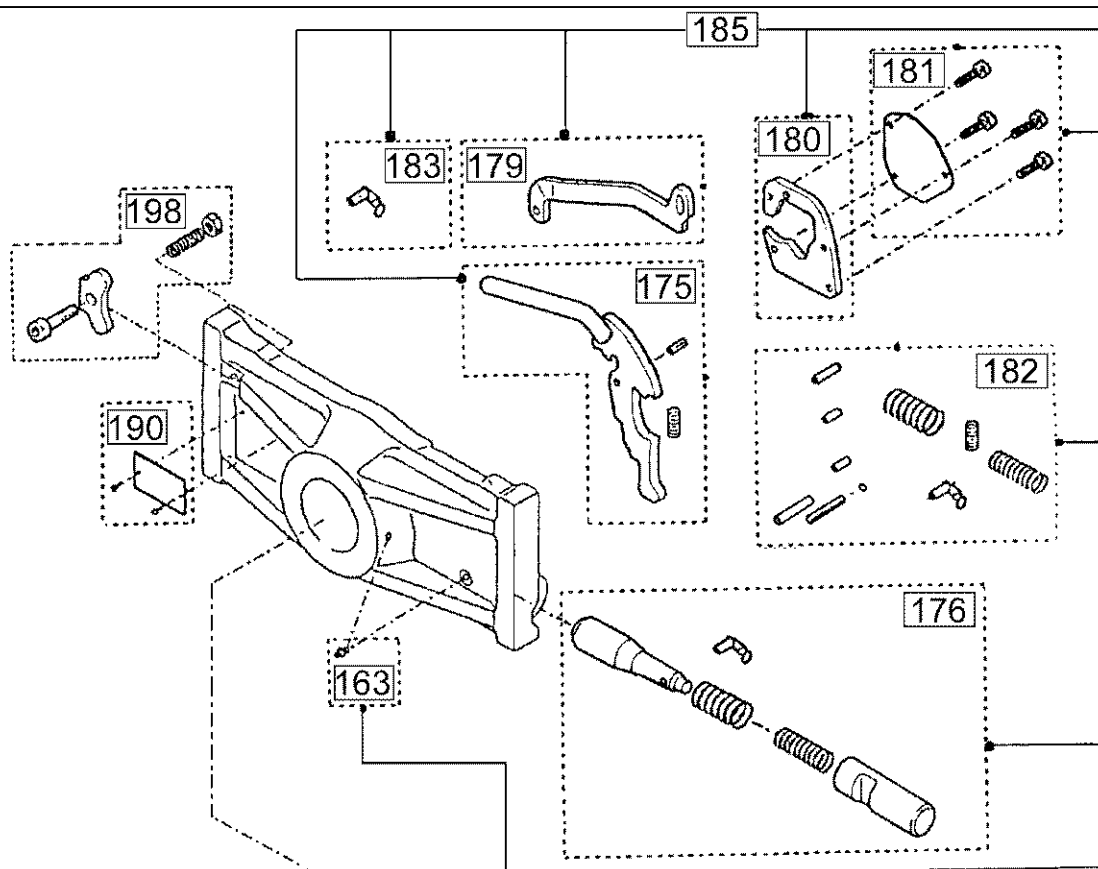
Ref	Onderdeelnummer	Kwt	Beschrijving
1	1-32-293-013	1	TREKSTANGSTEUN,
1A	1-32-293-014	1	TREKSTANGSTEUN, , KAT.D2, Mit Zusatzhubzylinder/With Auxiliary Hydraulic Cylinders /Avec Verins hydraulique auxiliaire/Med Ekstra hydraulikcylinder/Con Cilindro idraulico supplementare
2	1-32-393-056	1	TREKHAAK, , Siehe nächste Seite(n)/See next page(s)/Voir page(s) suivante(s)/Se næste side (r )/Vedere pagin(a/e) seguent(e/i)
3	1-32-393-050	1	TREKHAAK, , Siehe nächste Seite(n)/See next page(s)/Voir page(s) suivante(s)/Se næste side (r )/Vedere pagin(a/e) seguent(e/i)
4	190003800305	8/10	SCHROEF, , M14x60-10.9
5	133700930080	1	PIN, HITCH, , a = 530mm
5A	133700930081	1	PIN, HITCH, , a = 350mm
6	1-32-393-051	1	TREKHAAK, , Siehe nächste Seite(n)/See next page(s)/Voir page(s) suivante(s)/Se næste side (r )/Vedere pagin(a/e) seguent(e/i)



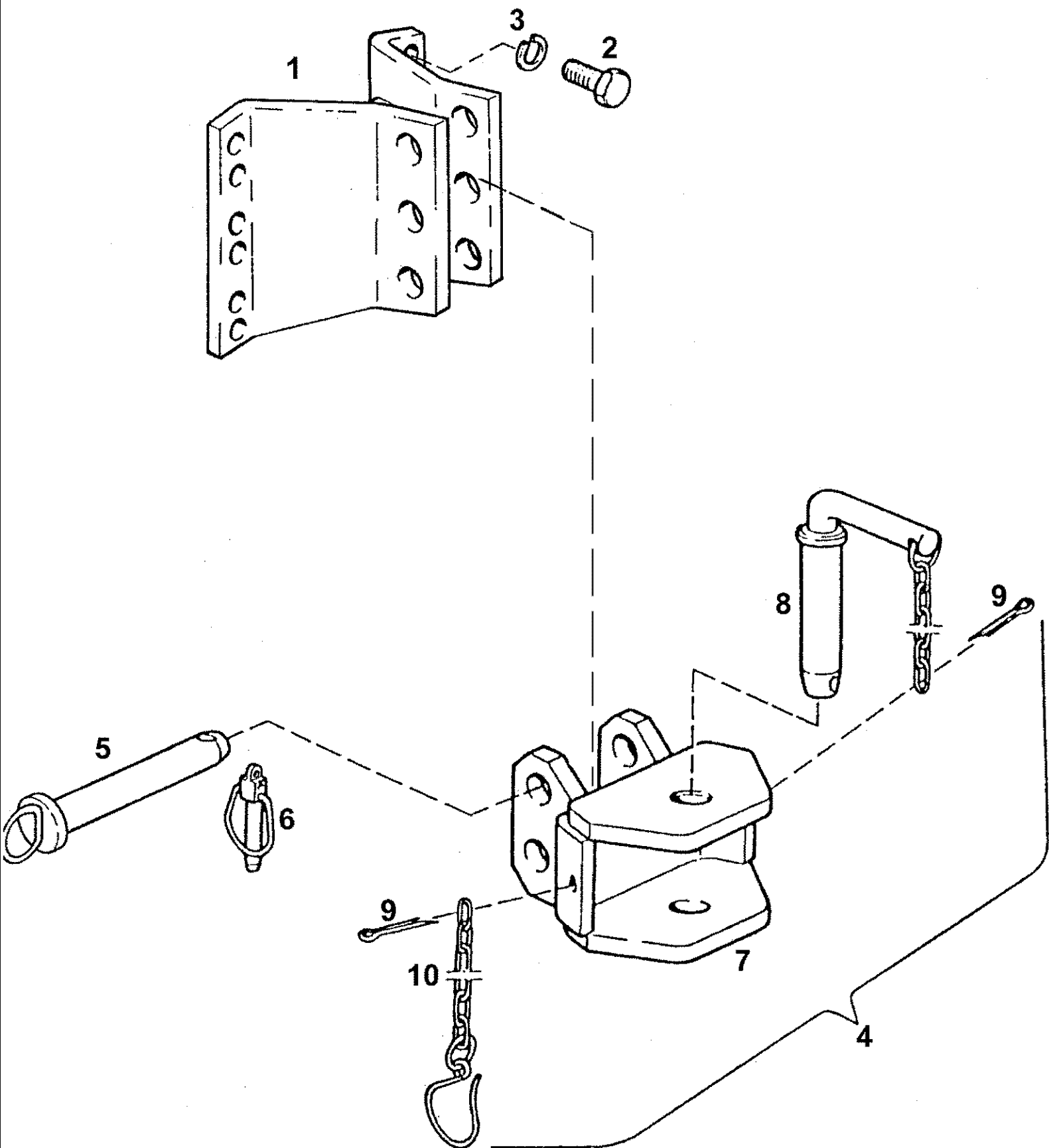
Ref	Onderdeelnummer	Kwt	Beschrijving
1	1-32-393-056	1	TREKHAAK, , Besteht aus/Consists of/Compose de/Bestående af/È composto da 2, 163 - 198
2	NSS	-	NIET ALLEEN VERKRIJGBAAR,
163	190003963106	2	SMEERNIPPEL, M6 x 1, , AM6
175	155700930738	1	HANDGREEP,
176	155700930739	1	KLINK,
179	1-32-793-022	1	HEFBOOM,
180	1-32-793-023	1	GELEIDER,
181	1-32-793-025	1	DEKSEL,
182	1-32-793-026	1	STEL ONDERDELEN,
183	155700930740	1	PEN,
185	1-32-793-029	1	STEL ONDERDELEN, , Besteht aus/Consists of/Compose de/Bestående af/È composto da 163, 175 - 182
191	REF	-	INSTRUCTION, , Auf Anfrage/On inquiry/Par demande/Hvis det ønskes/Su richiesta
198	1-32-793-028	1	BORGPLAAT,



Ref	Onderdeelnummer	Kwt	Beschrijving
1	1-32-393-050	1	TREKHAAK, , Besteht aus/Consists of/Compose de/Bestående af/È composto da 149 - 227
149	155700930730	1	PEN,
150	NSS	1	NIET ALLEEN VERKRIJGBAAR,
151	155700930733	1	HAAK,
152	155700930734	1	KIT,
153	155700930727	1	ACTUATOR,
154	155700930728	1	HEFBOOM,
155	155700930735	1	HANDGREEP,
157	133700930757	1	DEKSEL,
158	1-32-793-175	1	BESCHERMPLAAT,
163	190003963106	1/2	SMEERNIPPEL, M6 x 1, , AM6
175	155700930738	1	HANDGREEP,
176	155700930739	1	KLINK,
179	1-32-793-022	1	HEFBOOM,
180	1-32-793-023	1	GELEIDER,
181	1-32-793-025	1	DEKSEL,
182	1-32-793-026	1	STEL ONDERDELEN,
183	155700930740	1	PEN,
184	NSS	1	NIET ALLEEN VERKRIJGBAAR,
185	1-32-793-029	1	STEL ONDERDELEN, , Besteht aus/Consists of/Compose de/Bestående af/È composto da 163, 175 - 182
188	NSS	1	NIET ALLEEN VERKRIJGBAAR,
198	1-32-793-028	1	BORGPLAAT,
227	1-32-793-147	1	RICHTINGSAANWIJZER,



Ref	Onderdeelnummer	Kwt	Beschrijving
1	1-32-393-051	1	TREKHAAK, , Besteht aus/Consists of/Compose de/Bestående af/È composto da 151 - 227
151	155700930733	1	HAAK,
152	155700930734	1	KIT,
153	155700930727	1	ACTUATOR,
155	155700930735	1	HANDGREEP,
163	190003963106	3	SMEERNIPPEL, M6 x 1, , AM6
166	155700930729	1	PIN, HITCH,
167	299533A1	1	LAGERBUS,
168	155700930736	1	HEFBOOM,
170	NSS	1	NIET ALLEEN VERKRIJGBAAR,
171	1-32-793-175	1	BESCHERMPLAAT,
175	155700930738	1	HANDGREEP,
176	155700930739	1	KLINK,
179	1-32-793-022	1	HEFBOOM,
180	1-32-793-023	1	GELEIDER,
181	1-32-793-025	1	DEKSEL,
182	1-32-793-026	1	STEL ONDERDELEN,
183	155700930740	1	PEN,
185	1-32-793-029	1	STEL ONDERDELEN, , Besteht aus/Consists of/Compose de/Bestående af/È composto da 163, 175 - 183
189	NSS	1	NIET ALLEEN VERKRIJGBAAR,
190	NSS	1	NIET ALLEEN VERKRIJGBAAR,
195	155700930741	1	PLAAT,
198	1-32-793-028	1	BORGPLAAT,
227	1-32-793-147	1	RICHTINGSAANWIJZER,

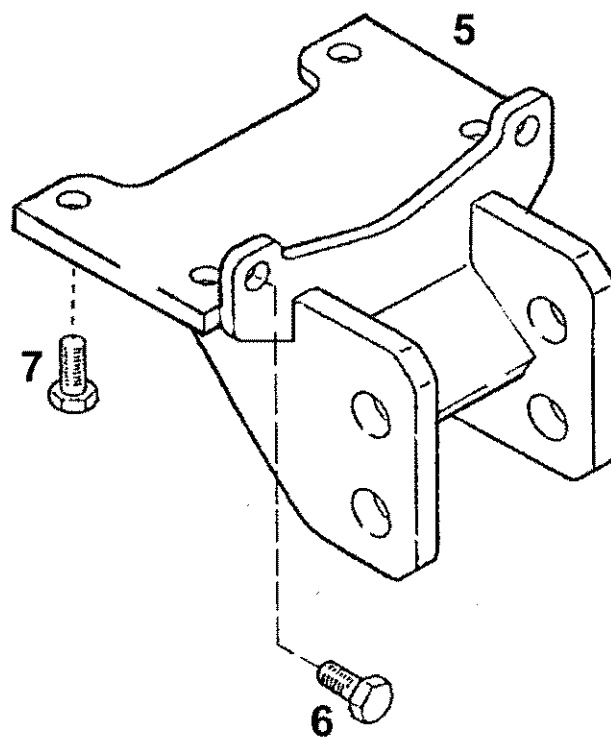
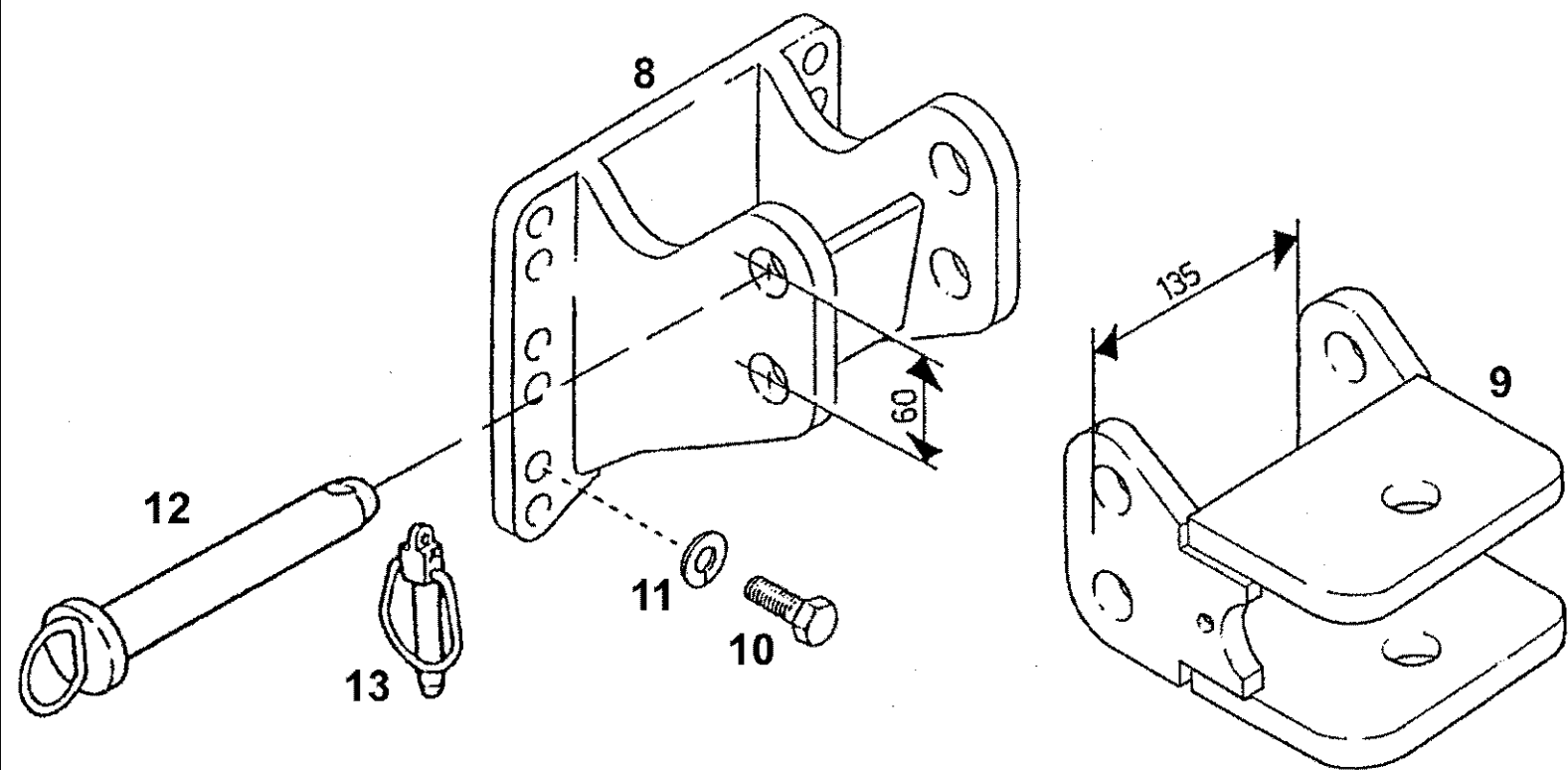




## 09C-13(01) TRAILER HITCH FOR ITALY

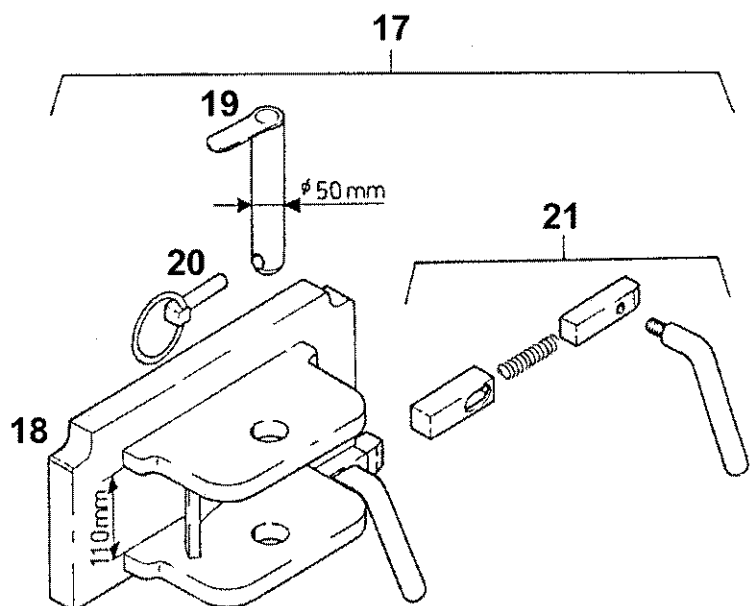
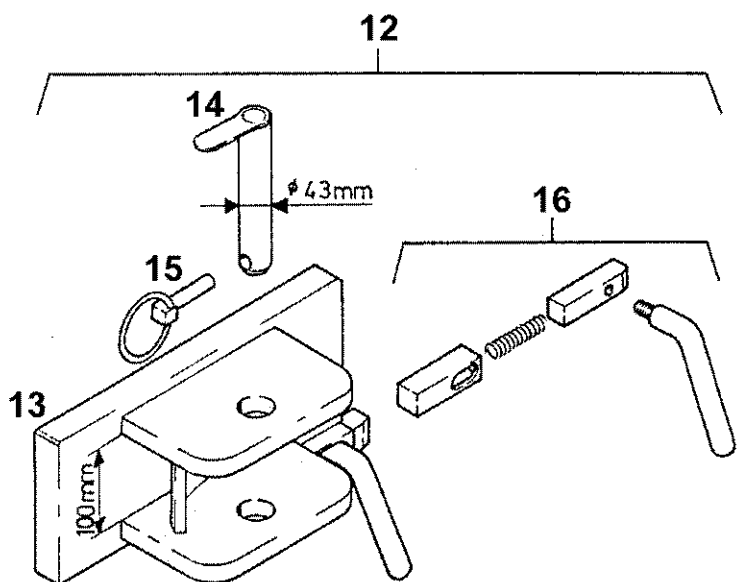
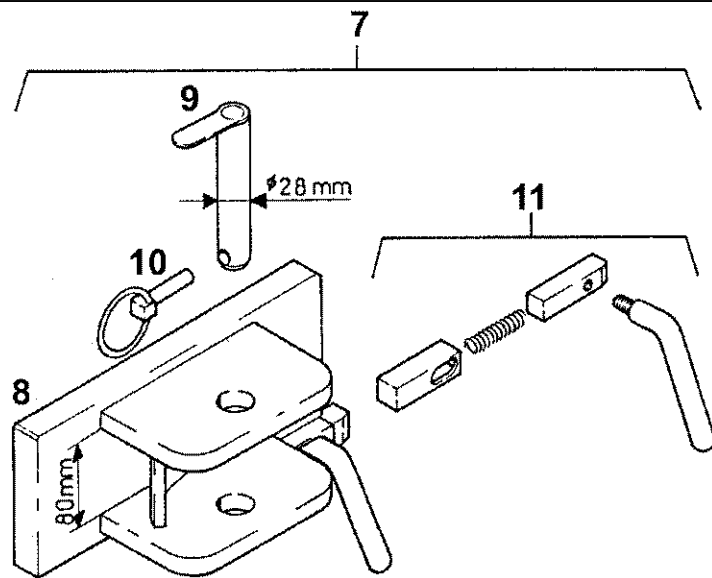
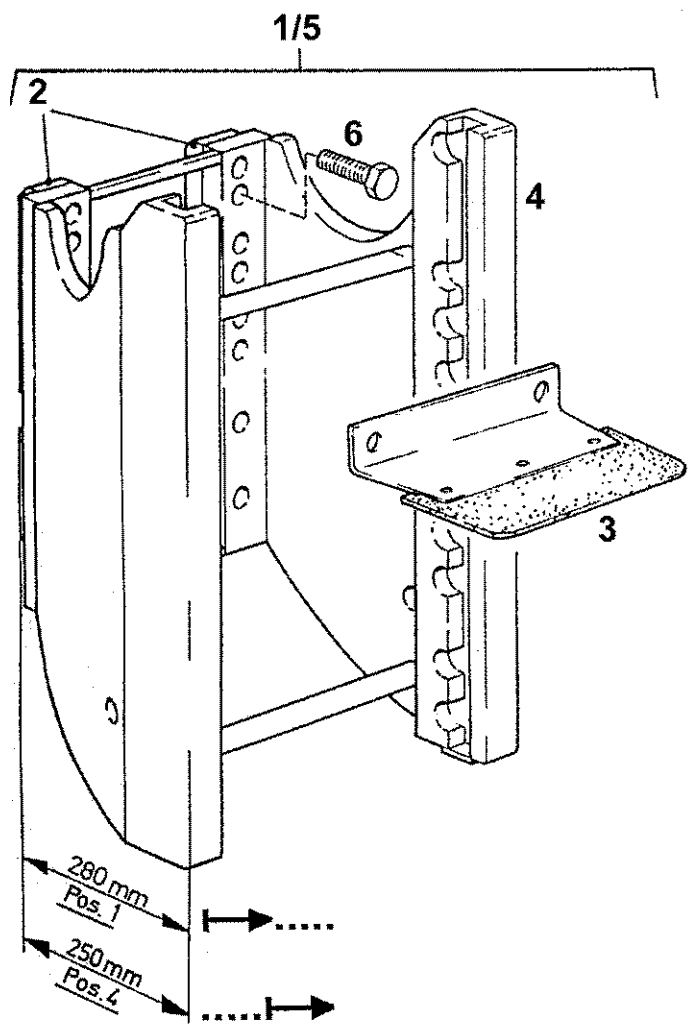
Ref	Onderdeelnummer	Kwt	Beschrijving
1	135700930054	1	SUPPORT,
2	11115631	6	BOUT, Hex, M14 x 35, 10.9, Full Thd, , M14x35-10.9
3	190003931162	6	BORGRING, , A14
4	1292930082	1	KOPPELING, , Besteht aus/Consists of/Compose de/Bestående af/È composto da 7 - 10
5	135700930061	2	PEN, , Einschließlich/Includes/Avec/Inklusive/Compreso 6
6	180740235	2	PIN, LARGE,
7	1292930081	1	BRACKET, HITCH,
8	1292930083	1	PIN, LARGE,
9	190003920502	2	SPLITPEN, , 6,3x22-ST-A4C
10	1292930003	1	KETTING,

09C-14(01) HITCHES FOR ITALY



## 09C-14(01) HITCHES FOR ITALY

Ref	Onderdeelnummer	Kwt	Beschrijving
5	1-32-293-009	1	TREKSTANGSTEUN,
6	190003802714	2	SCHROEF, Hex, M14 x 25, 8.8, , M14x25-8.8
7	190003802728	4	SCHROEF, , M14x30 10.9
8	1-32-293-001	1	TREKSTANGSTEUN,
9	1-32-293-003	1	HITCH ASSY, , a = 80mm
10	11115631	6	BOUT, Hex, M14 x 35, 10.9, Full Thd, , M14x35-10.9
11	190003931162	6	BORGRING, , A14
12	135700930061	2	PEN,
13	180740235	2	PIN, LARGE,

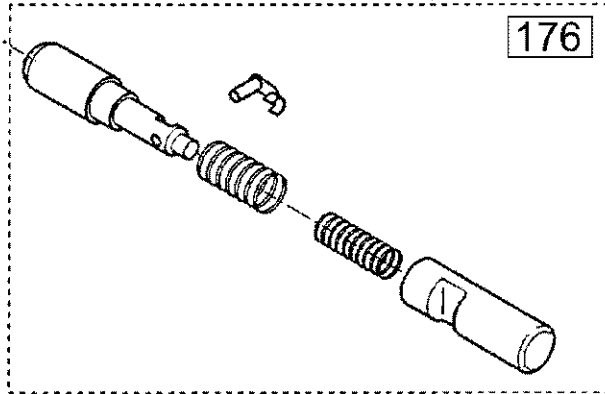
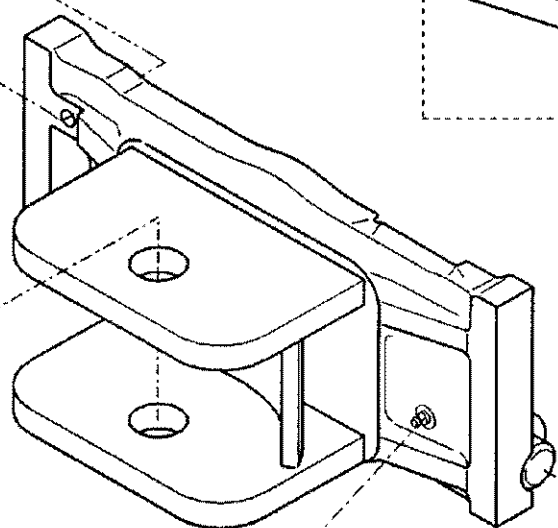
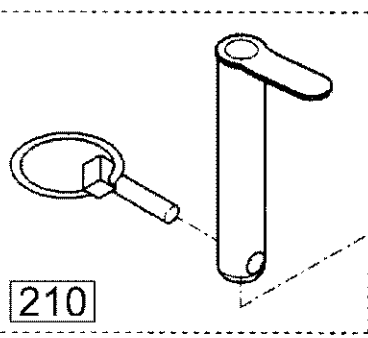
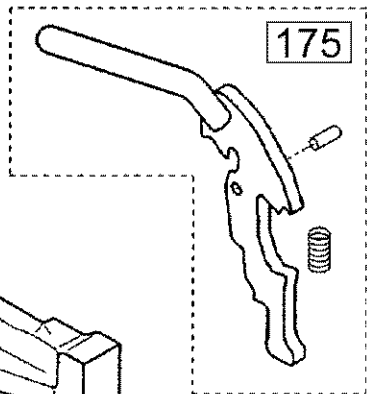
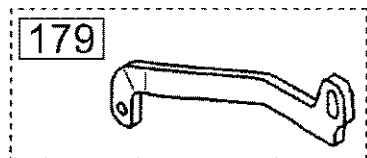
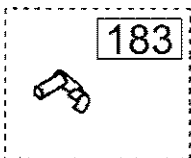
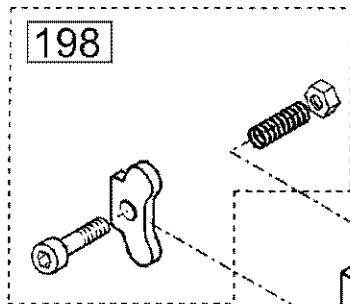
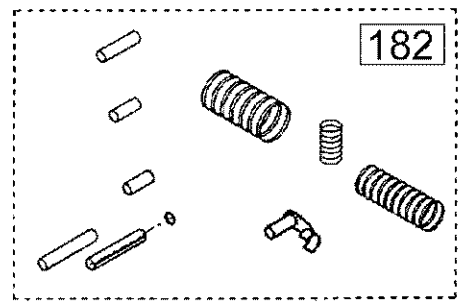
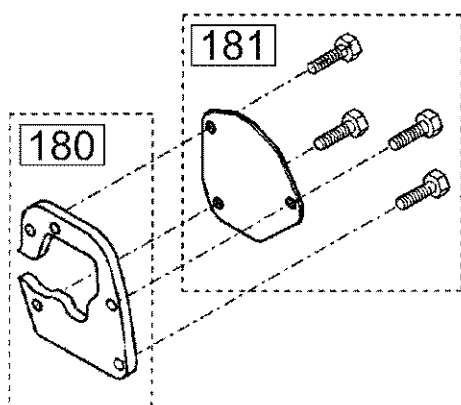


Ref	Onderdeelnummer	Kwt	Beschrijving
1	1-32-293-015	1	TREKSTANGSTEUN,
3	133700930752	1	AFTAKAS,
4	NSS	-	NIET ALLEEN VERKRIJGBAAR,
6	190003800489	10	SCHROEF, , M14x65-10.9
7	133700930088	1	FIELD ATTACHMENT, , KAT.C; Besteht aus/Consists of/Compose de/Bestående af/È composto da 8 - 11
8	133700930744	1	TREKHAAK,
9	133700930745	1	PIN, LARGE,
10	133700930749	1	PIN, LINCH,
11	133700930739	1	VERGRENDELING,
12	135700930072	1	TREKHAAK, , KAT.D2; Besteht aus/Consists of/Compose de/Bestående af/È composto da 13 - 16
13	133700930742	1	HITCH ASSY, TRAILER,
14	133700930743	1	PIN, LARGE,
15	133700930749	1	PIN, LINCH,
16	133700930739	1	VERGRENDELING,
17	135700930073	1	HITCH ASSY, TRAILER, , KAT.D3; Besteht aus/Consists of/Compose de/Bestående af/È composto da 18 - 21
18	133700930746	1	HITCH ASSY, TRAILER,
19	133700930747	1	PIN, LARGE,
20	133700930749	1	PIN, LINCH,
21	133700930739	1	VERGRENDELING,

Einbausatz  
Schiebeplatte  
komplett

185

163•175•179•180•181•182•Bolz.



176

Ref	Onderdeelnummer	Kwt	Beschrijving
	1-32-293-004	1	HITCH ASSY, TRAILER, , KAT.C a=80mm, Besteht aus/Consists of/Compose de/Bestående af/È composto da 163 - 210
163	190003963106	1	SMEERNIPPEL, M6 x 1, , AM6
175	155700930738	1	HANDGREEP,
176	155700930739	1	KLINK,
179	1-32-793-022	1	HEFBOOM,
180	1-32-793-023	1	GELEIDER,
181	1-32-793-025	1	DEKSEL,
182	1-32-793-026	1	STEL ONDERDELEN,
183	155700930740	1	PEN,
185	1-32-793-029	1	STEL ONDERDELEN, , Besteht aus/Consists of/Compose de/Bestående af/È composto da 163, 175, 179 - 182
198	1-32-793-028	1	BORGPLAAT,
210	1-32-793-030	1	PIN, LARGE,

**Einbausatz  
Schiebeplatte  
komplett**

185

163\*175\*179\*180\*181\*182\*Bolz.

181

180

182

198

183

179

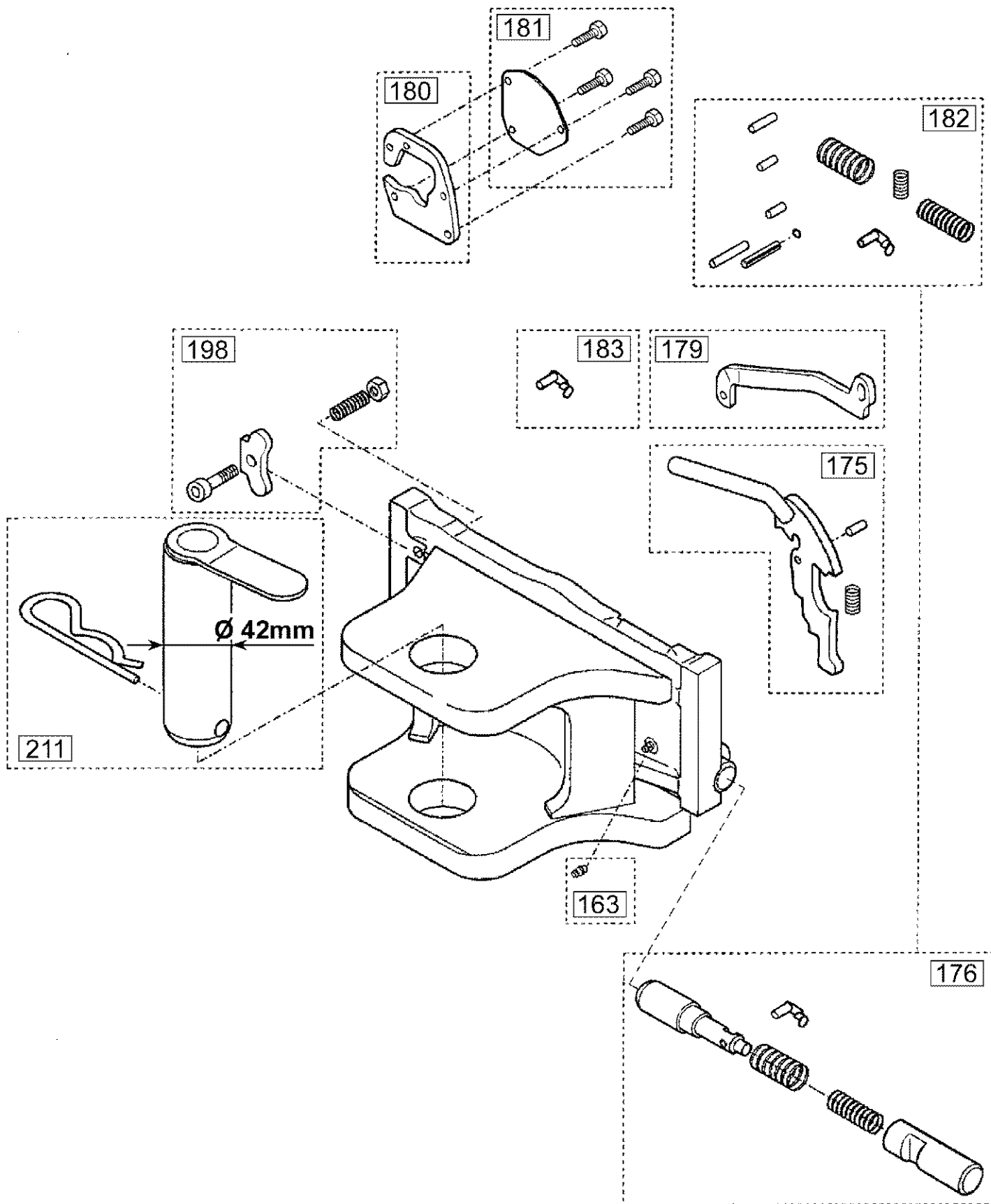
175

211

163

176

Ø 42mm





M968 STEYR TRACTOR / --->04939 (6/97-3/99) - Chassis/Accessoires

09C-17(01) TRAILER HITCH FOR ITALY, KAT.D2 / . . . ---->

Ref	Onderdeelnummer	Kwt	Beschrijving
	1-32-393-005	1	HITCH ASSY, TRAILER, , Besteht aus/Consists of/Compose de/Bestående af/È composto da 163 - 211
163	190003963106	1	SMEERNIPPEL, M6 x 1, , AM6
175	155700930738	1	HANDGREEP,
176	155700930739	1	KLINK,
181	1-32-793-025	1	DEKSEL,
182	1-32-793-026	1	STEL ONDERDELEN,
183	155700930740	1	PEN,
185	1-32-793-029	1	STEL ONDERDELEN, , Besteht aus/Consists of/Compose de/Bestående af/È composto da 163, 175, 179 - 182
198	1-32-793-028	1	BORGPLAAT,
211	1-32-793-027	1	PEN,

**Einbausatz  
Schiebeplatte  
komplett**

185

163\*175\*179\*180\*181\*182\*Bolz.

181

180

182

198

183

179

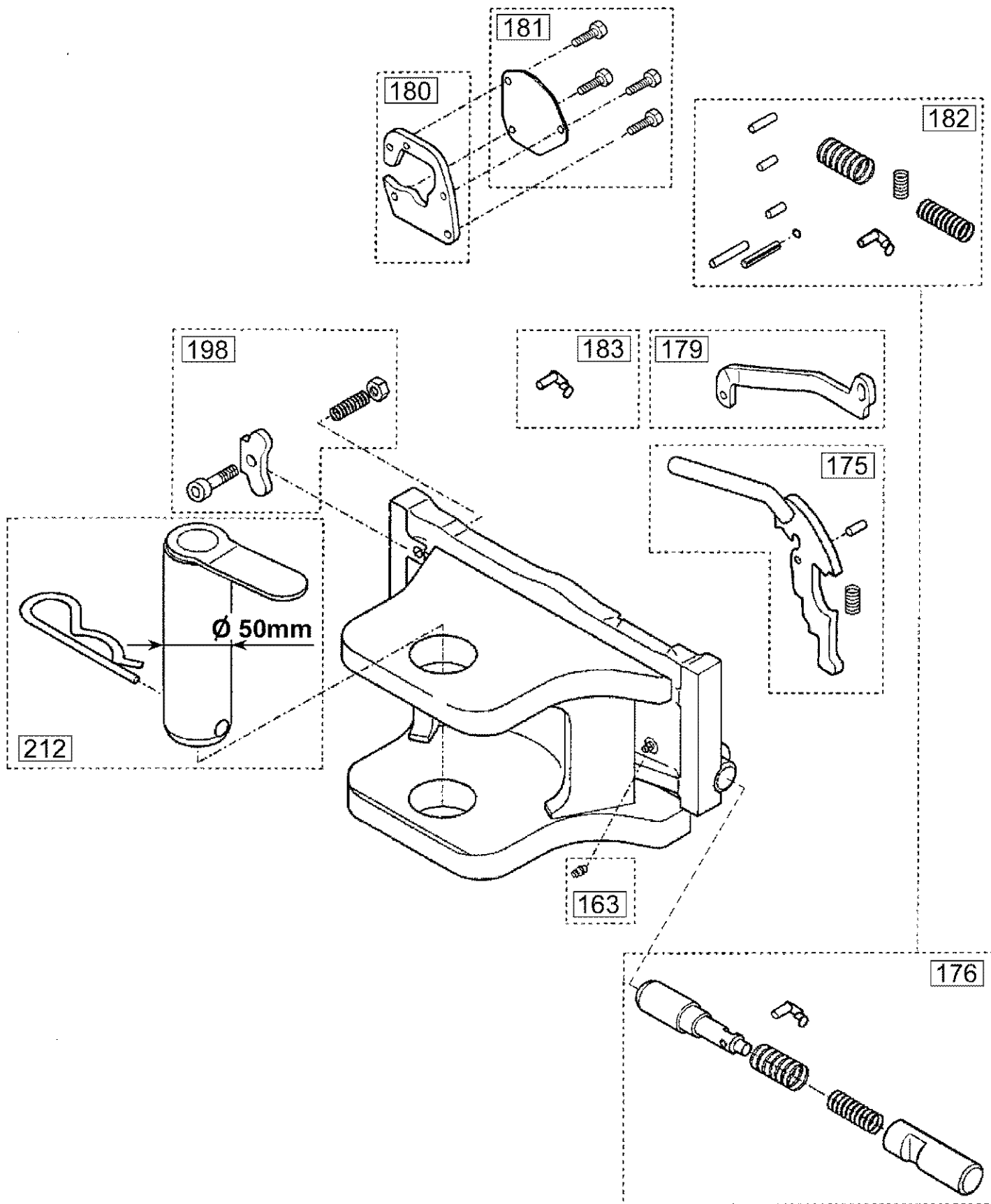
175

212

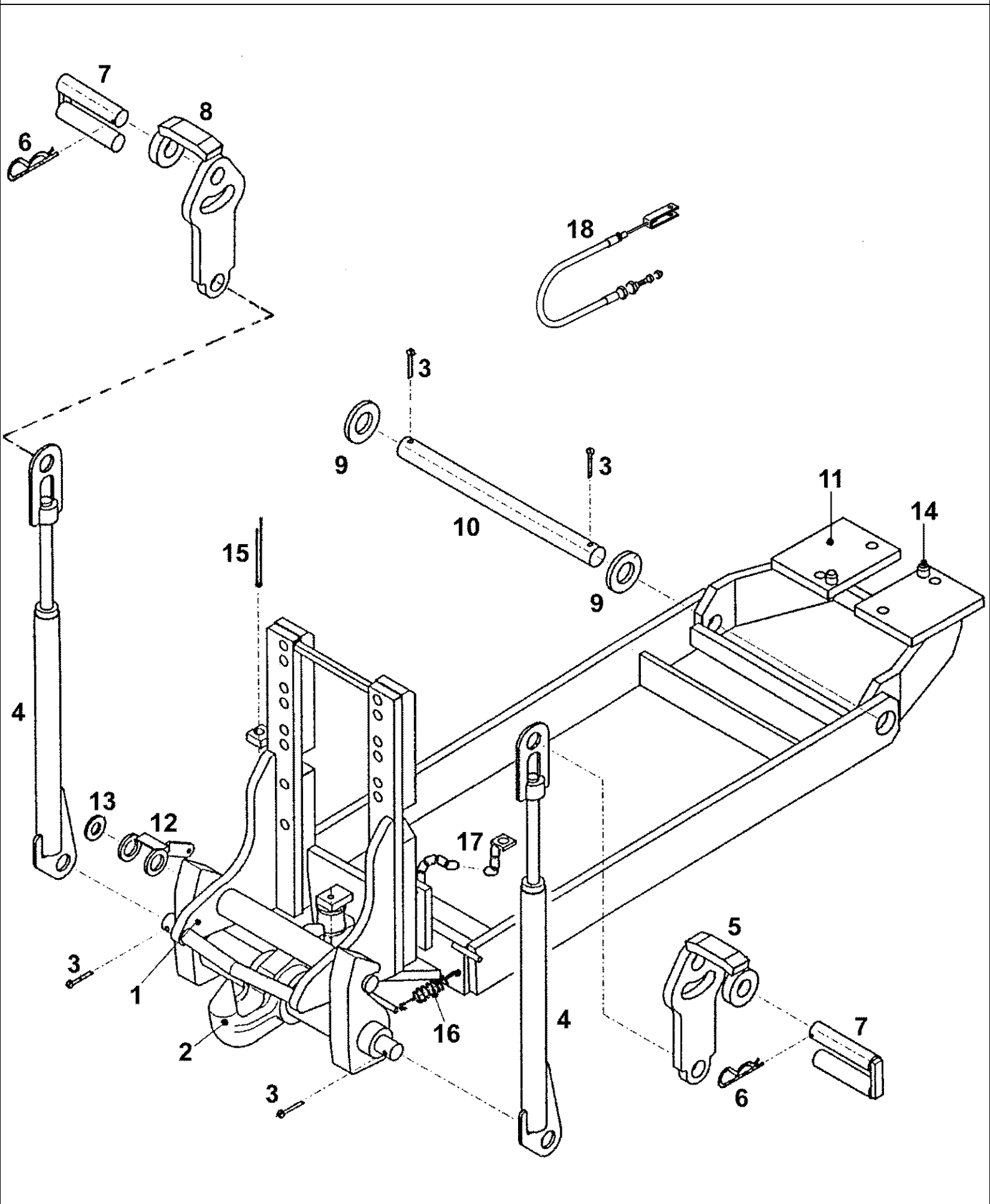
163

176

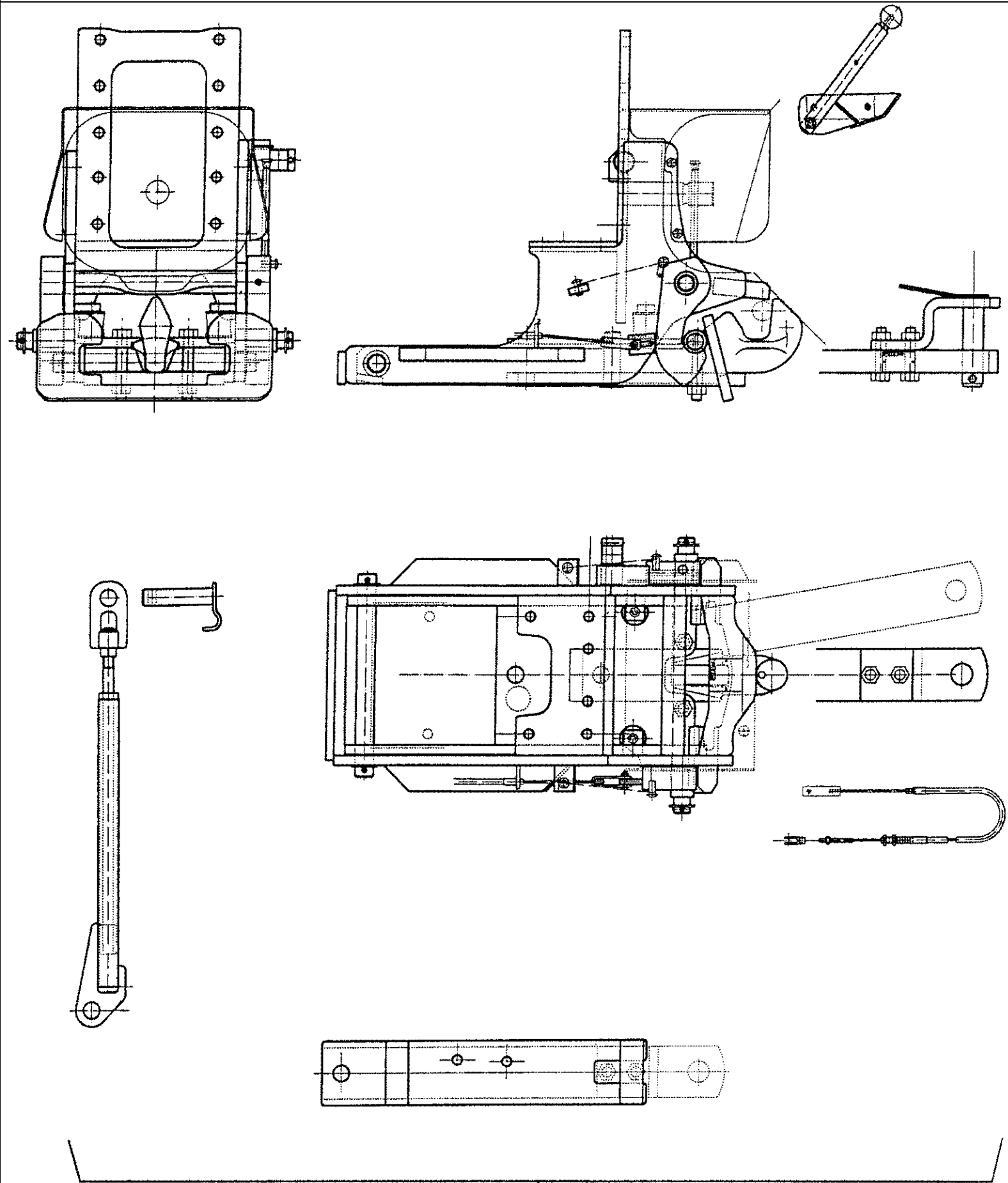
Ø 50mm



Ref	Onderdeelnummer	Kwt	Beschrijving
	1-32-393-006	1	HITCH, , KAT.D3; Besteht aus/Consists of/Compose de/Bestående af/È composto da 163 - 212
163	190003963106	1	SMEERNIPPEL, M6 x 1, , AM6
175	155700930738	1	HANDGREEP,
176	155700930739	1	KLINK,
179	1-32-793-022	1	HEFBOOM,
180	1-32-793-023	1	GELEIDER,
181	1-32-793-025	1	DEKSEL,
182	1-32-793-026	1	STEL ONDERDELEN,
183	155700930740	1	PEN,
185	1-32-793-029	1	STEL ONDERDELEN, , Besteht aus/Consists of/Compose de/Bestående af/È composto da 163, 175, 179 - 182
198	1-32-793-028	1	BORGPLAAT,
212	1-32-793-031	1	PEN,

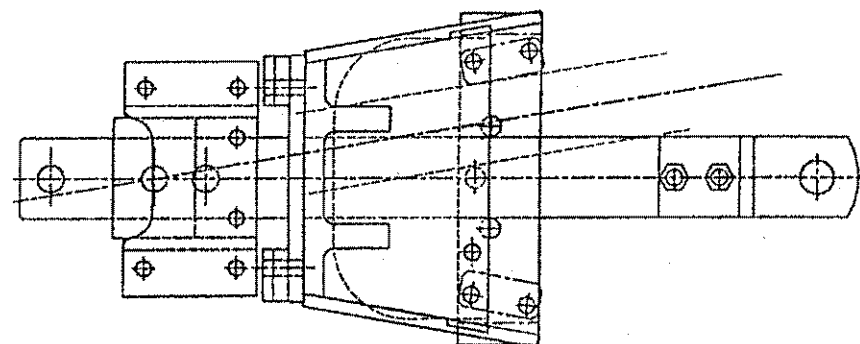
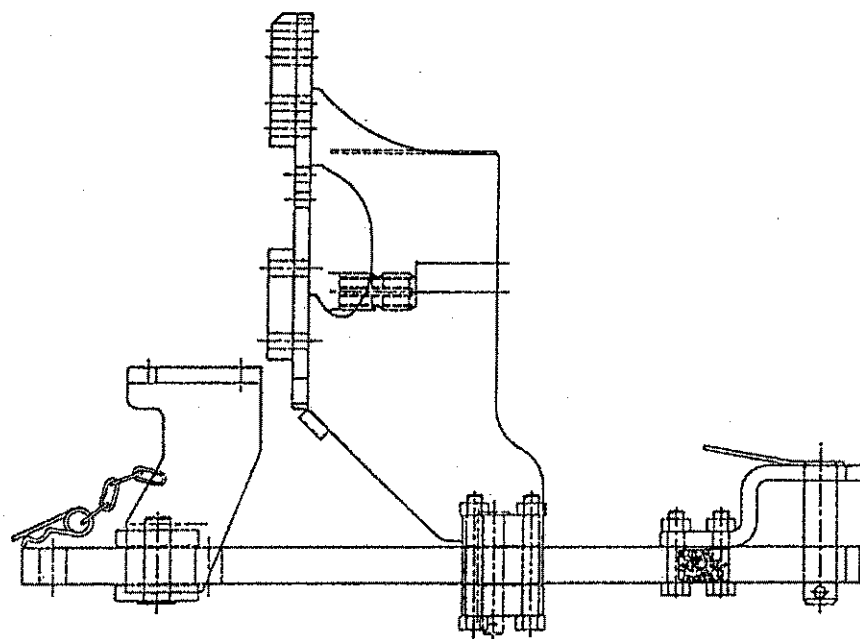
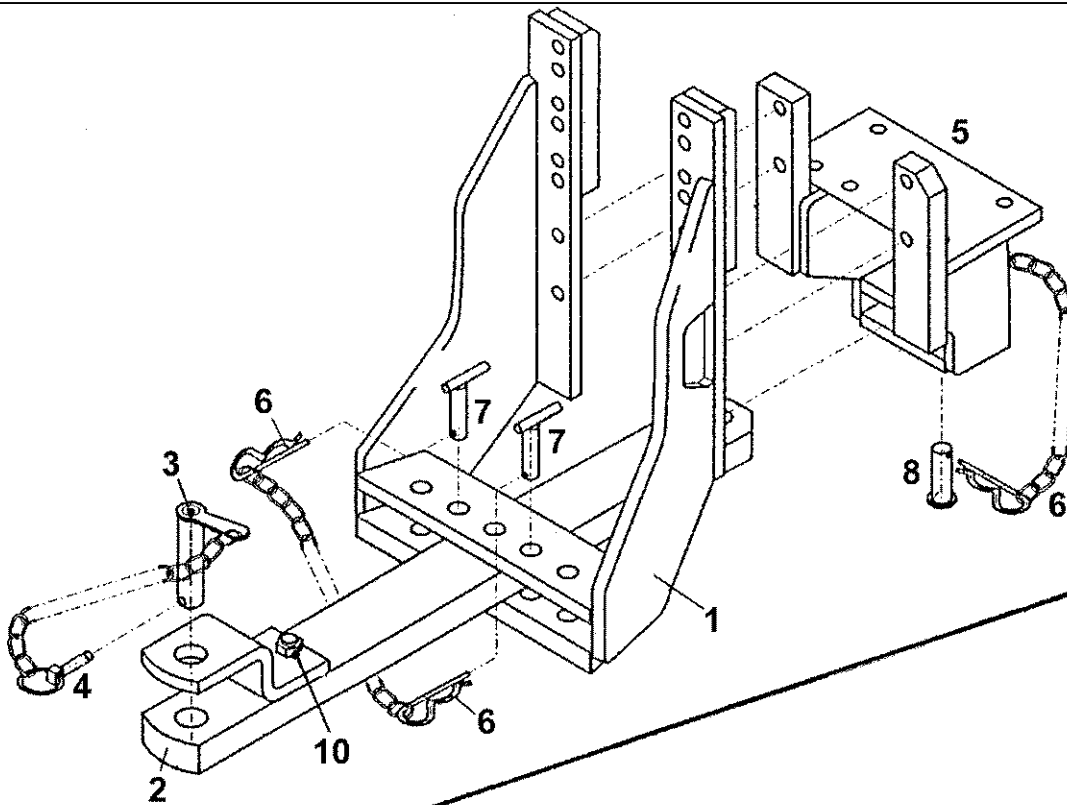


Ref	Onderdeelnummer	Kwt	Beschrijving
	133700930095	1	KOPPELING, , Besteht aus/Consists of/Compose de/Bestående af/È composto da 1 - 17
1	133700930727	1	TREKBALKRAAM,
2	133700930728	1	KOPPELING,
3	190003920527	2	SPLITPEN, , 6,3x40
4	133700930723	2	STANG,
5	133700930724	1	GUIDE, LEVERS, , Rechts/Right/Droit/Højre/Destra
6	190003990024	2	VEER, , 4-A3C
7	133700930725	2	PIN, LARGE,
8	133700930730	1	GUIDE, LEVERS, , Links/Left/Gauche/Venstre/Sinistro
9	190003930360	2	SCHIJF, , A28-140HV-A3C
10	133700930732	1	PIN, PIVOT,
11	133700930733	1	SUPPORT,
12	133700930734	1	SCHAKELAAR,
13	133700930735	1	SCHIJF,
14	190003901804	2	PEN, , 16M6x30-ST
15	133700930736	1	ROPE, METAL,
16	133700930716	2	SPRING, TENSION,
17	133700930721	1	PLAAT, GROOT,
18	133700930736	1	ROPE, METAL,
	190003800738	10	SCHROEF, , M14x60-8.8
	280854	4	BOUT, Hex, M14 x 35, 8.8, Full Thd, , M14x35-8.8



Ref	Onderdeelnummer	Kwt	Beschrijving
1	1-32-293-010	1	HITCH ASSY, TRAILER,
	11115631	14	BOUT, Hex, M14 x 35, 10.9, Full Thd, , M14x35-10.9
	190003802728	2	SCHROEF, , M14x30 10.9

09C-21(01) DRAWBAR STORAGE



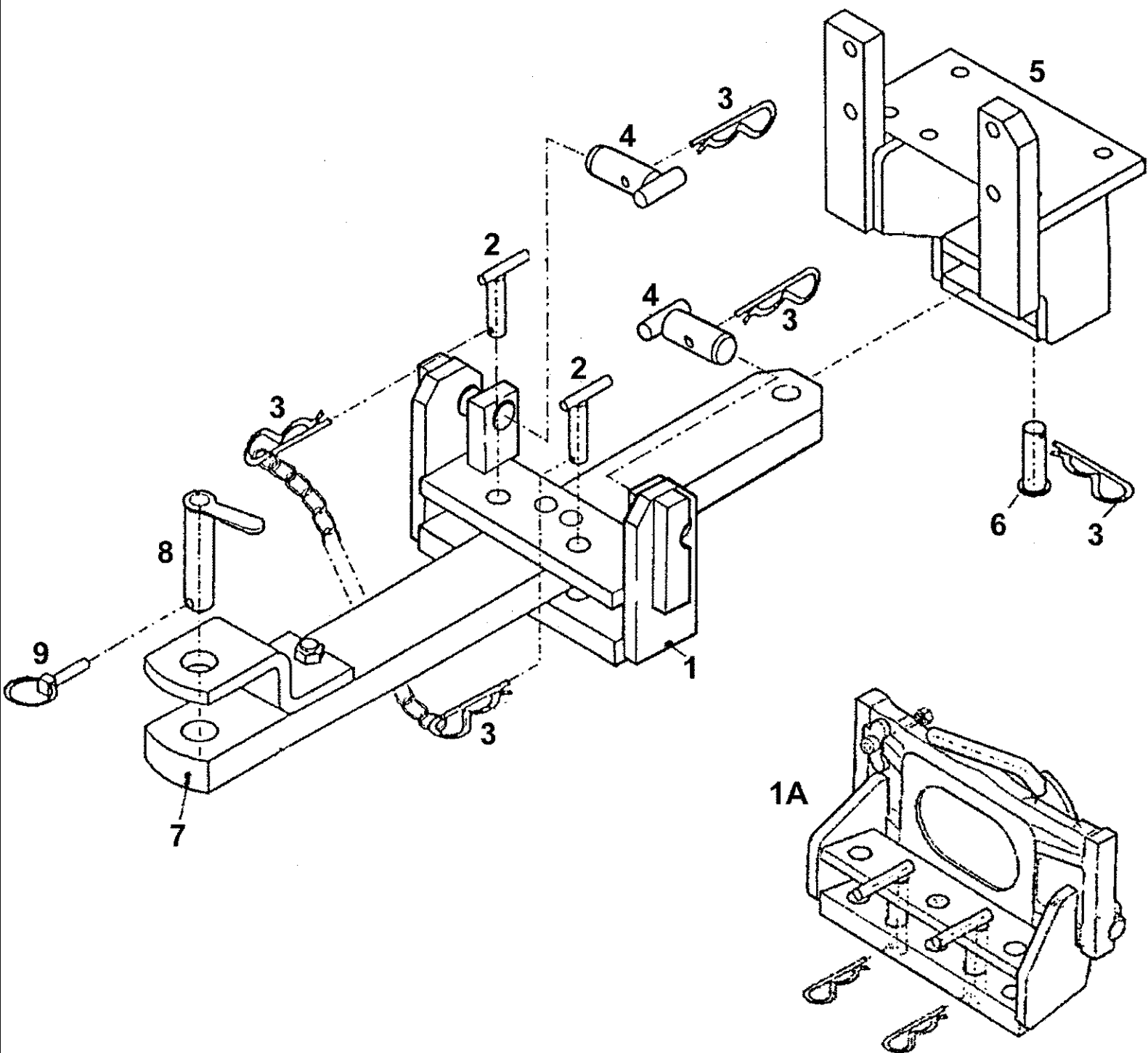
11



## 09C-21(01) DRAWBAR STORAGE

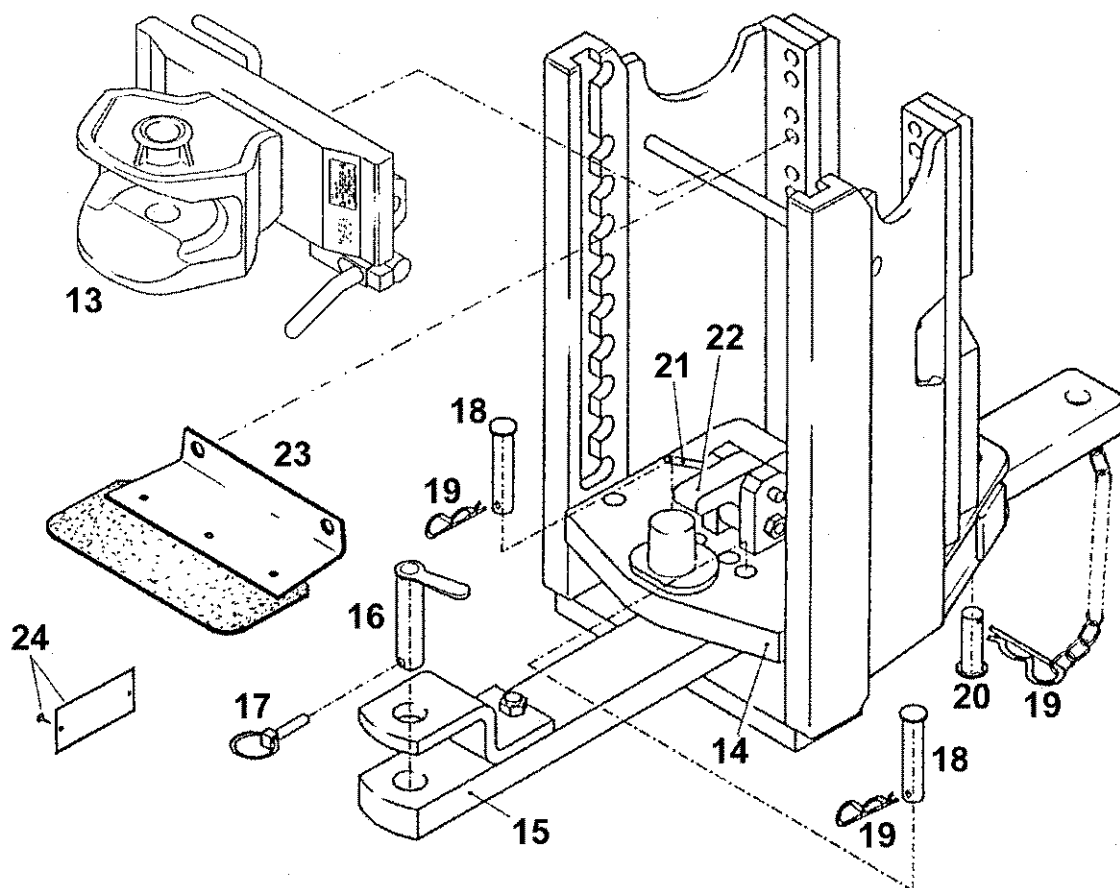
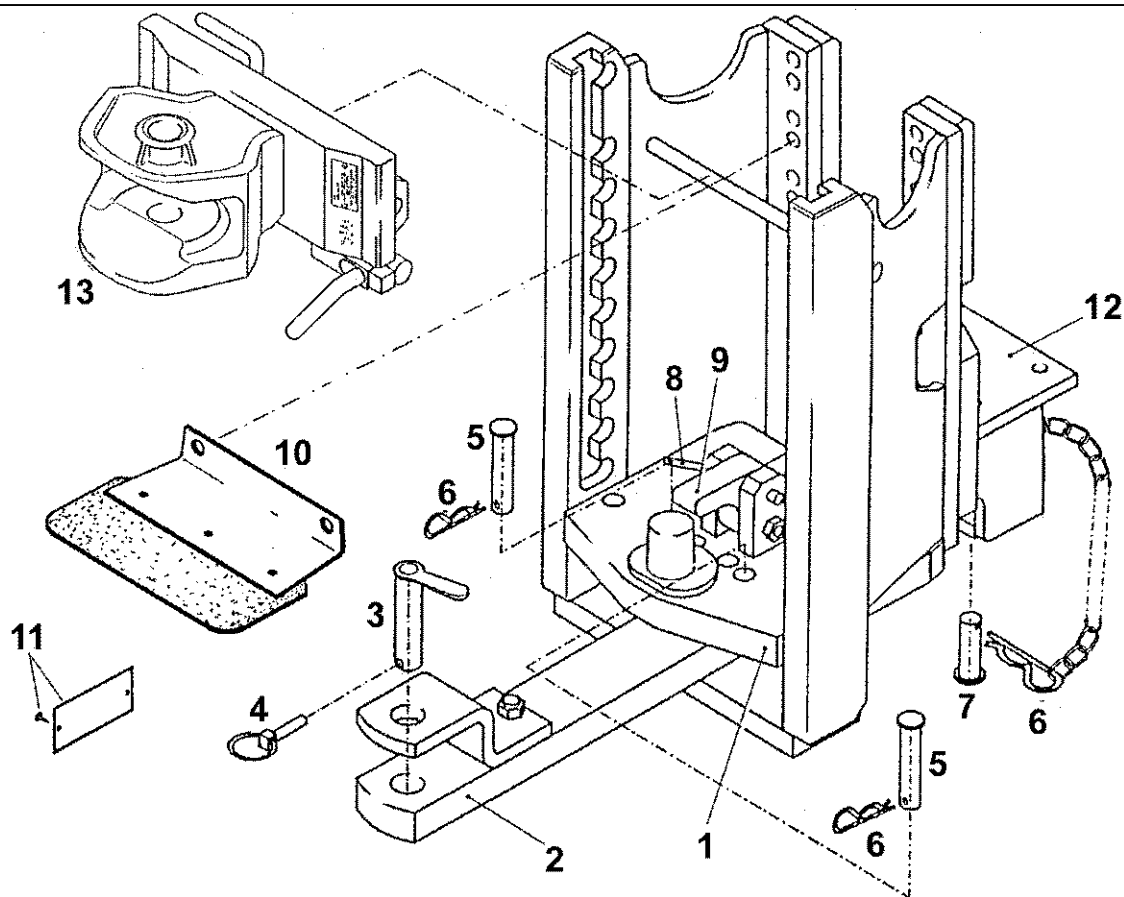
Ref	Onderdeelnummer	Kwt	Beschrijving
	155700930002	1	ZWAAIARM, , ---->04687; Besteht aus/Consists of/Compose de/Bestående af/È composto da 1 - 10
1	155700930712	1	GELEIDER,
2	155700930709	1	ZWAAIARM,
3	155700930710	1	PIN, LARGE,
4	155700930711	1	PIN, LINCH,
5	155700930706	1	KONZOOL,
6	190003990024	2/1	VEER, , 4-A3C
7	155700930702	2	PIN, LARGE,
8	155700930707	1	PIN, PIVOT,
10	190003832736	2	SCHROEF, , M16x70-MU
11	1-32-393-052	1	ZWAAIARM, , 04687 ---->
	11115631	4	BOUT, Hex, M14 x 35, 10.9, Full Thd, , M14x35-10.9
	190003800305	4	SCHROEF, , M14x60-10.9
	190003800753	6	SCHROEF, , M14x75-10.9-A3C

09C-22(01) DRAWBAR STORAGE

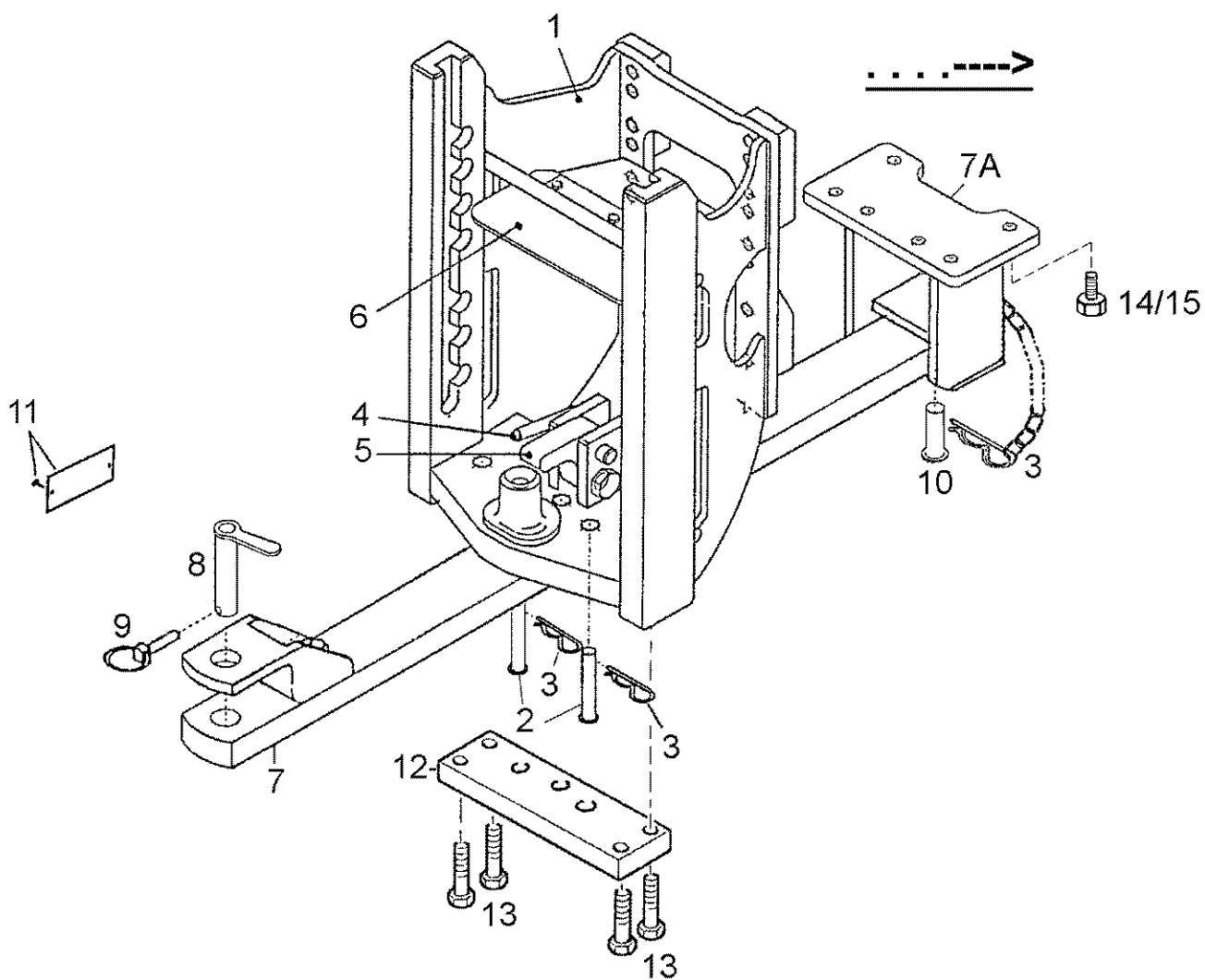
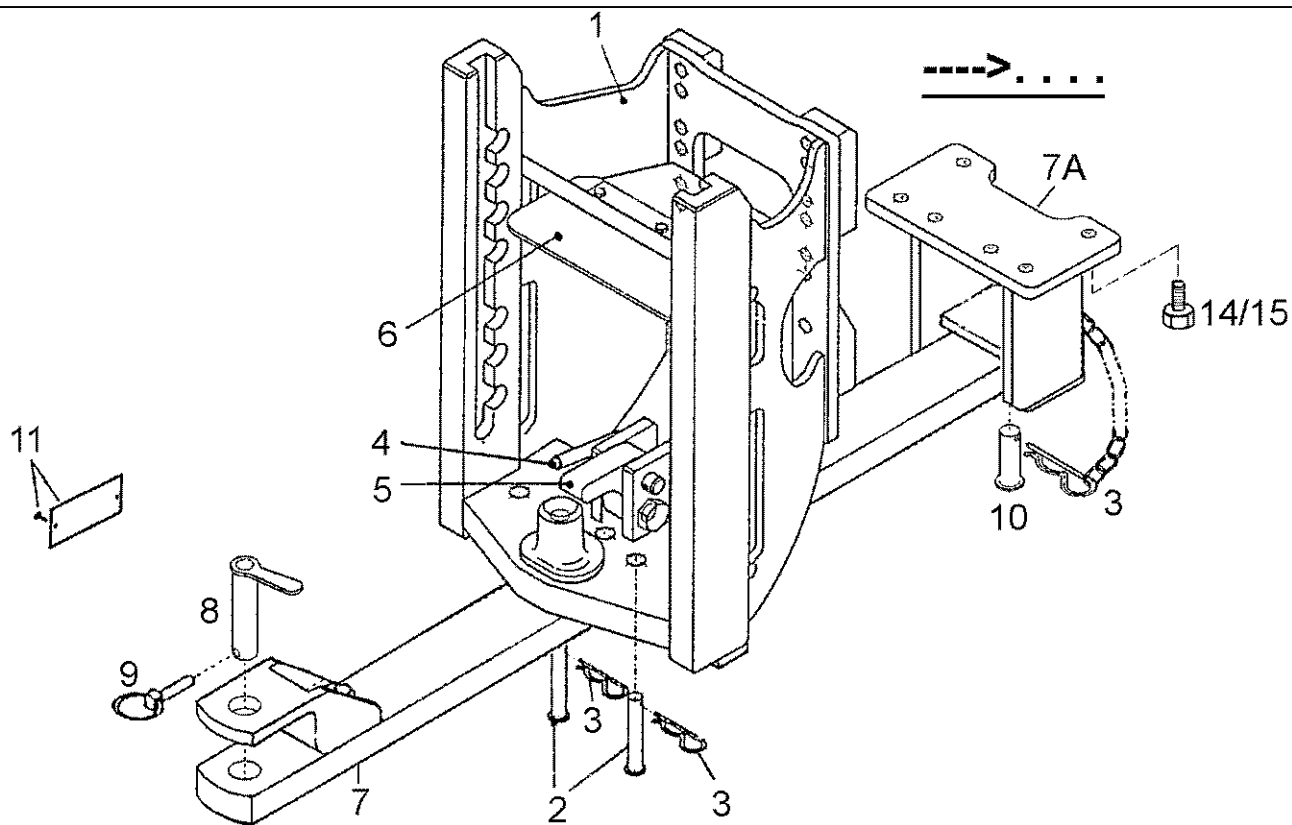


## 09C-22(01) DRAWBAR STORAGE

Ref	Onderdeelnummer	Kwt	Beschrijving
	155700930003	1	ZWAAIARM, , Besteht aus/Consists of/Compose de/Bestående af/È composto da 1 - 9
1	155700930701	1	KONZOOOL,
1A	155700930701	1	KONZOOOL, , Ersetzt/Replaces/Remplace/Udskiftet/Sostituisce 1
2	155700930702	2	PIN, LARGE,
3	190003990024	5	VEER, , 4-A3C
4	155700930704	2	PIN, LARGE,
5	155700930706	1	KONZOOOL,
6	155700930707	1	PIN, PIVOT,
7	155700930709	1	ZWAAIARM,
8	155700930710	1	PIN, LARGE,
9	155700930711	1	PIN, LINCH,

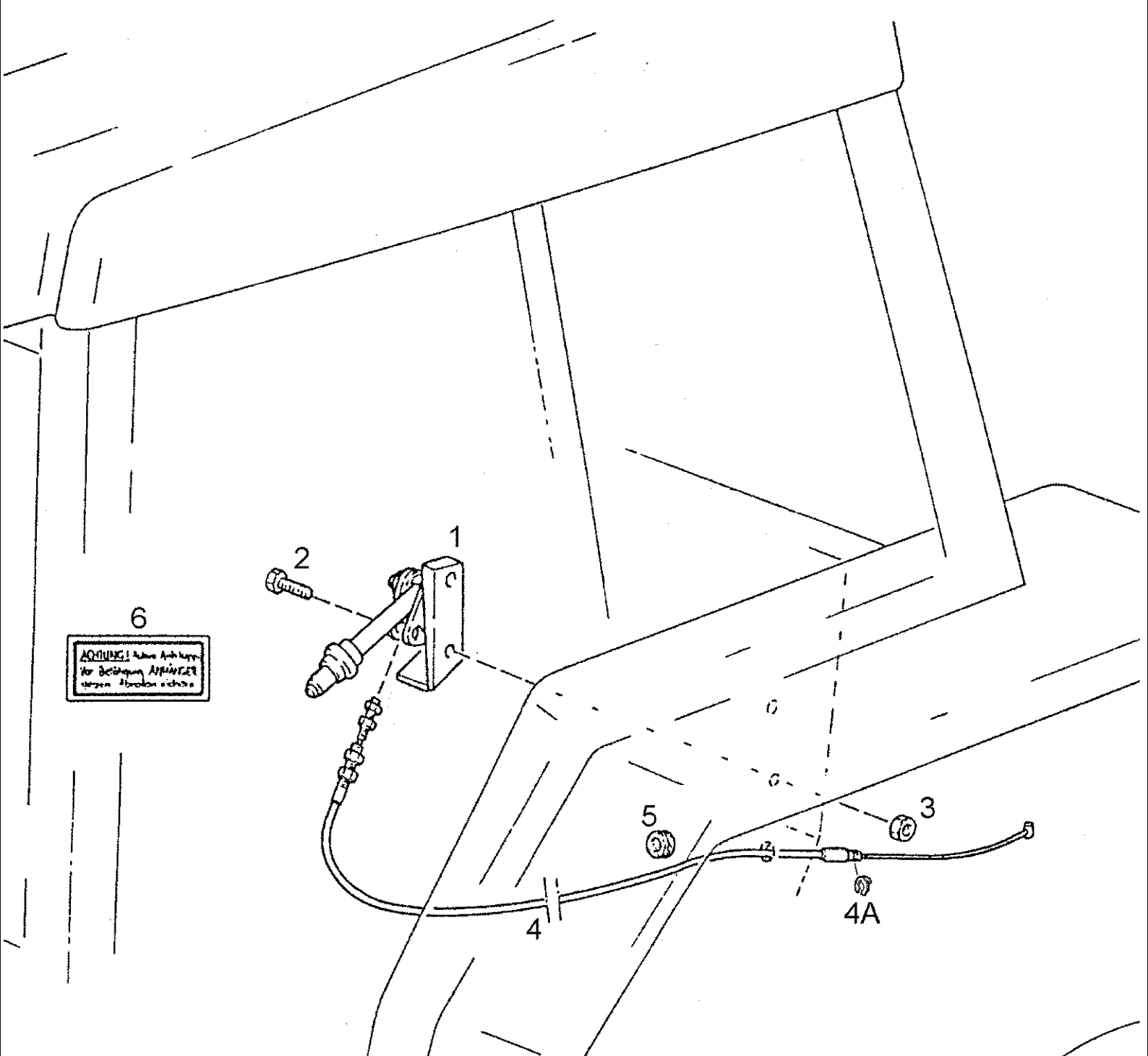


Ref	Onderdeelnummer	Kwt	Beschrijving
	155700930004	1	HITCH ASSY, TRAILER, , ---->. . . .; Besteht aus/Consists of/Compose de/Bestående af/È composto da 1 - 12
1	155700930717	1	SUPPORT,
2	155700930723	1	ZWAAIARM,
3	155700930724	1	PIN, LARGE,
4	155700930711	1	PIN, LINCH,
5	155700930718	2	PIN, LARGE,
6	190003990024	4	VEER, , 4-A3C
7	155700930707	1	PIN, PIVOT,
8	155700930719	1	PIN, LARGE,
9	155700930720	1	HEFBOOM,
10	155700930721	1	PROTECTOR,
11	155700930722	1	MODELIDENTIFIKATIEPLAATJ,
12	155700930725	1	KONZOOL,
13	REF	-	INSTRUCTION, , Siehe Seite(n) vorne/See Page(s) before/Voir Page(s) avant/Se side (r ) forrest/Vedere pagin(a/e) precedent(e/i)
	155700930028	1	TREKBOOM, , . . . .---->; Besteht aus/Consists of/Compose de/Bestående af/È composto da 14 - 24
14	155700930717	1	SUPPORT,
15	155700930723	1	ZWAAIARM,
16	155700930724	1	PIN, LARGE,
17	155700930711	1	PIN, LINCH, , L = 10,5mm
18	155700930743	2	PIN, LARGE,
19	190003990024	4	VEER, , 4-A3C
20	1-32-793-038	1	PIN, LARGE,
21	1-32-793-009	1	PIN, LARGE,
22	1-32-793-010	1	HEFBOOM,
23	155700930721	1	PROTECTOR,
24	155700930742	1	MODELIDENTIFIKATIEPLAATJ,
	280854	4	BOUT, Hex, M14 x 35, 8.8, Full Thd, , M14x35-8.8
	190003800738	10	SCHROEF, , M14x60-8.8



Ref	Onderdeelnummer	Kwt	Beschrijving
	155700930040	1	ZWAAIARM, , --->03667; Besteht aus/Consists of/Compose de/Bestående af/È composto da 1 - 6
	1-32-393-040	1	HITCH ASSY, , 03668--->. . . .; Besteht aus/Consists of/Compose de/Bestående af/È composto da 1 - 6, 12, 13
	1-32-293-016	1	HITCH ASSY, , Ersetzt/Replaces/Remplace/Udskiftet/Sostituisce 1-32-393-040
1	NSS	-	NIET ALLEEN VERKRIJGBAAR,
2	1-32-793-017	2	PEN,
3	190003990009	4	VEERKLEM, , 6,3
4	NSS	-	NIET ALLEEN VERKRIJGBAAR,
5	155700930720	1	HEFBOOM,
6	155700930721	1	PROTECTOR,
	155700930041	1	ZWAAIARM, , Besteht aus/Consists of/Compose de/Bestående af/È composto da 3, 7 - 10, 14, 15
7	155700930723	1	ZWAAIARM,
7A	155700930706	1	KONZOOOL,
8	155700930724	1	PIN, LARGE,
9	155700930711	1	PIN, LINCH,
10	155700930707	1	PIN, PIVOT,
11	NSS	-	NIET ALLEEN VERKRIJGBAAR,
12	NSS	-	NIET ALLEEN VERKRIJGBAAR,
13	NSS	-	NIET ALLEEN VERKRIJGBAAR,
14	11115631	4	BOUT, Hex, M14 x 35, 10.9, Full Thd, , M14x35-10.9
15	190003802728	2	SCHROEF, , M14x30 10.9
16	190003800305	8	SCHROEF, , M14x60-10.9

09C-25(01) REMOTE CONTROL FOR AUTOMATIC HITCH





## 09C-25(01) REMOTE CONTROL FOR AUTOMATIC HITCH

Ref	Onderdeelnummer	Kwt	Beschrijving
1	133700930090	1	HEFBOOM,
2	15213321	2	BOUT, Hex, M8 x 35, 8.8,
3	43362	2	MOER, M8, CI 10,
4	133700930103	1	BOWDENBEDIENING, , L = 1315mm; Einschließlich/Includes/Avec/Inklusive/Compreso 4A
4A	1-34-744-034	1	BORGVEER,
5	190003120122	1	KABELDOORGANG, , Q06 ; 10X3
6	137700930023	1	DECAL,

